



US00D750772S

(12) **United States Design Patent**
Rabe et al.

(10) **Patent No.:** **US D750,772 S**
(45) **Date of Patent:** **** Mar. 1, 2016**

- (54) **APPLICATOR TIP FOR COSMETIC DEVICE**
- (71) Applicant: **The Procter & Gamble Company**,
Cincinnati, OH (US)
- (72) Inventors: **Thomas Elliott Rabe**, Baltimore, MD
(US); **Faiz Feisal Sherman**, Mason, OH
(US)
- (73) Assignee: **The Procter & Gamble Company**,
Cincinnati, OH (US)
- (**) Term: **14 Years**
- (21) Appl. No.: **29/506,860**
- (22) Filed: **Oct. 21, 2014**

Related U.S. Application Data

- (63) Continuation-in-part of application No. 29/493,374,
filed on Jun. 9, 2014.
- (51) **LOC (10) Cl.** **24-02**
- (52) **U.S. Cl.**
USPC **D24/127**
- (58) **Field of Classification Search**
USPC D24/119, 108, 133, 144, 146, 188, 200,
D24/201, 206, 207, 209, 211, 214, 215;
601/2, 15, 17, 18, 80, 84, DIG. 22;
D28/7; D9/723, 727
CPC A61B 5/44; A61B 5/444; A61B 5/445;
A61B 2018/00452; A61B 2018/0047; A61B
5/441; A61B 5/442; A61B 5/443; A61M
35/00; A61M 35/003; A61N 5/0616; A61N
2005/0635; A61N 2005/0643; A61N
2005/0644; B05C 1/06; B05C 1/08; B05C
5/001; B05C 17/00; A45D 33/12; A45D
34/00; A45D 2034/005; A45D 2200/109;
A45D 2040/204; A45D 40/00; A45D 40/0068;
A45D 40/0075; A45D 40/26; A45D 40/261;
A45D 40/262; A45D 40/265
See application file for complete search history.

(56) **References Cited**

U.S. PATENT DOCUMENTS

6,312,124 B1 11/2001 Esormeaux
D562,451 S * 2/2008 Braynin et al. D24/133
(Continued)

FOREIGN PATENT DOCUMENTS

FR 2920076 A1 * 2/2009 A45D 40/0075
FR 2933585 B1 1/2010
(Continued)

OTHER PUBLICATIONS

U.S. Appl. No. 62/011,823, filed Jun. 13, 2014, Thomas Elliott Rabe.
(Continued)

Primary Examiner — Bridget L Eland

Assistant Examiner — Lauren McVey

(74) *Attorney, Agent, or Firm* — S. Robert Chuey

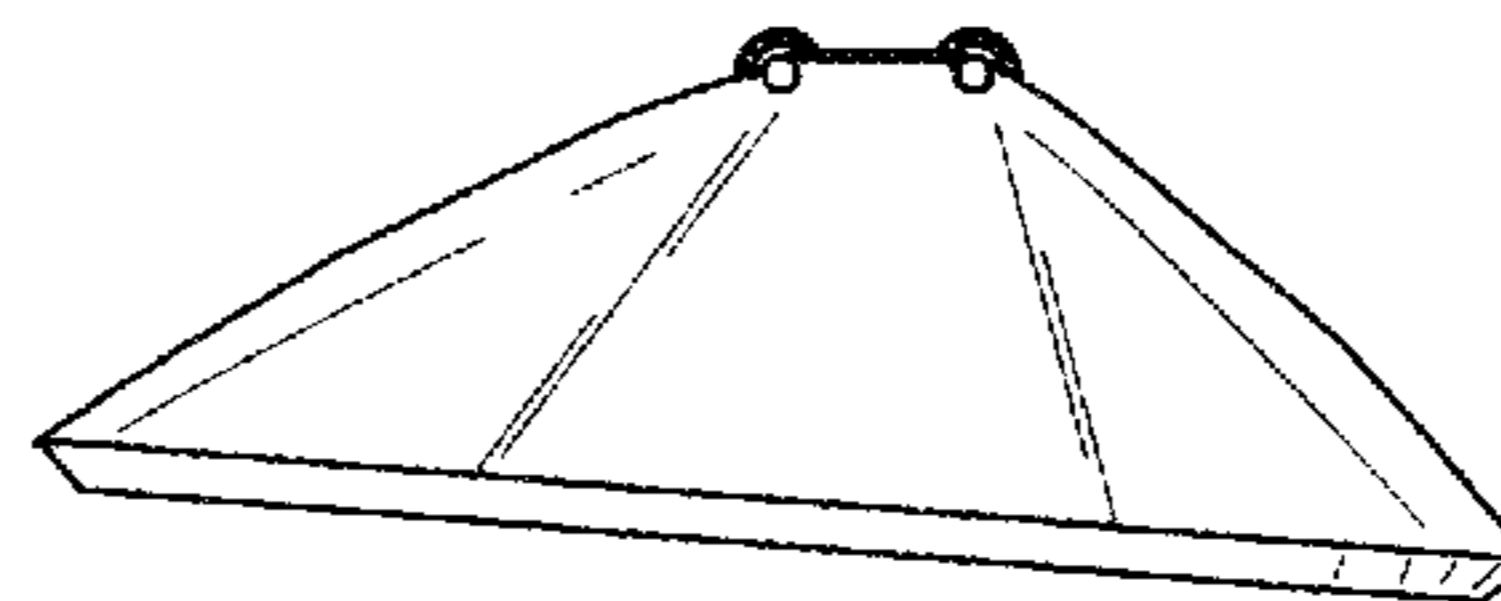
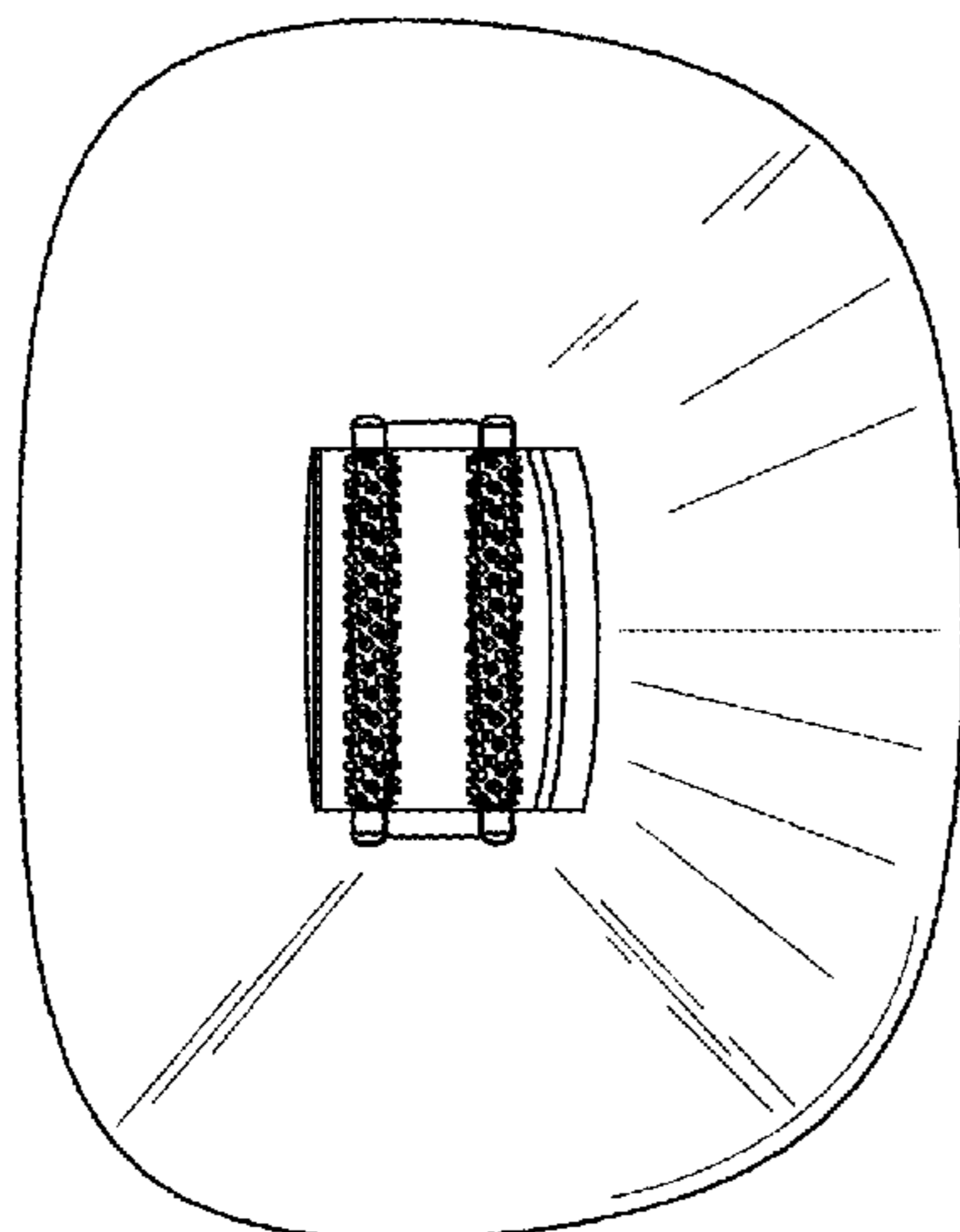
(57) **CLAIM**

The ornamental design for an applicator tip for cosmetic device, as shown and described.

DESCRIPTION

FIG. 1 is a top view of an applicator tip for cosmetic device, showing our new design;
FIG. 2 is a bottom view thereof;
FIG. 3 is a first side view thereof;
FIG. 4 is a second side view thereof;
FIG. 5 is a third side view thereof;
FIG. 6 is a fourth side view thereof; and,
FIG. 7 is a top perspective view thereof.
The broken lines immediately adjacent the claimed area represent the bounds of the claimed design while all other broken lines are directed to environment and are for illustrative purposes only; the broken lines form no part of the claimed design.

1 Claim, 4 Drawing Sheets



(56)

References Cited

U.S. PATENT DOCUMENTS

D595,407 S * 6/2009 Braynin et al. D24/133
 D604,843 S * 11/2009 Braynin et al. D24/133
 D608,888 S * 1/2010 Braynin et al. D24/133
 D621,950 S * 8/2010 Seki et al. D24/209
 7,890,152 B2 2/2011 Edgar
 8,007,062 B2 8/2011 Edgar
 8,027,505 B2 9/2011 Edgar
 D646,396 S * 10/2011 Seki et al. D24/209
 8,184,901 B2 5/2012 Dgar
 D674,485 S * 1/2013 Flyash et al. D24/133
 D676,959 S * 2/2013 Flyash et al. D24/133
 D676,960 S * 2/2013 Flyash et al. D24/133
 2006/0265823 A1 * 11/2006 Knopow et al. 15/27
 2008/0060665 A1 * 3/2008 Umeno et al. 132/112
 2008/0194971 A1 8/2008 Edgar
 2009/0025747 A1 1/2009 Edgar
 2010/0065576 A1 * 3/2010 Verheij 221/42
 2010/0224205 A1 9/2010 Mitra
 2010/0224209 A1 9/2010 Rabe et al.
 2010/0224210 A1 9/2010 Rabe et al.
 2014/0064821 A1 * 3/2014 Price et al. 401/183

FOREIGN PATENT DOCUMENTS

JP 2006297691 A 11/2006
 WO WO0160274 8/2001
 WO WO0201499 1/2002
 WO WO2009036876 3/2009
 WO WO2010004526 1/2010

WO WO2010004527 1/2010
 WO WO2010004528 1/2010
 WO WO2010004529 1/2010
 WO WO2010004530 1/2010
 WO WO2010004531 1/2010
 WO WO2010077703 7/2010
 WO WO2010083405 7/2010
 WO WO2010083400 9/2010
 WO WO2010083402 9/2010
 WO D085910-001 * 6/2015
 WO D085911-001 * 6/2015

OTHER PUBLICATIONS

U.S. Appl. No. 62/011,828, filed Jun. 13, 2014, Thomas Elliott Rabe.
 U.S. Appl. No. 62/011,842, filed Jun. 13, 2014, Thomas Elliott Rabe.
 U.S. Appl. No. 62/011,846, filed Jun. 13, 2014, Thomas Elliott Rabe.
 U.S. Appl. No. 62/011,852, filed Jun. 13, 2014, Thomas Elliott Rabe.
 U.S. Appl. No. 62/011,857, filed Jun. 13, 2014, Thomas Elliott Rabe.
 U.S. Appl. No. 62/028,929, filed Jul. 25, 2014, Thomas Elliott Rabe.
 U.S. Appl. No. 62/028,935, filed Jul. 25, 2014, Thomas Elliott Rabe.
 U.S. Appl. No. 62/028,937, filed Jul. 25, 2014, Thomas Elliott Rabe.
 U.S. Appl. No. 62/028,944, filed Jul. 25, 2014, Thomas Elliott Rabe.
 U.S. Appl. No. 62/028,948, filed Jul. 25, 2014, Thomas Elliott Rabe.
 U.S. Appl. No. 29/493,364, filed Jun. 9, 2014, Thomas Elliott Rabe.
 U.S. Appl. No. 29/506,847, filed Oct. 21, 2014, Thomas Elliott Rabe.
 U.S. Appl. No. 29/493,367, filed Jun. 9, 2014, Thomas Elliott Rabe.
 U.S. Appl. No. 29/506,855, filed Oct. 21, 2014, Thomas Elliott Rabe.
 U.S. Appl. No. 29/493,372, filed Jun. 9, 2014, Thomas Elliott Rabe.
 U.S. Appl. No. 29/506,858, filed Oct. 21, 2014, Thomas Elliott Rabe.
 U.S. Appl. No. 29/493,374, filed Jun. 9, 2014, Thomas Elliott Rabe.

* cited by examiner

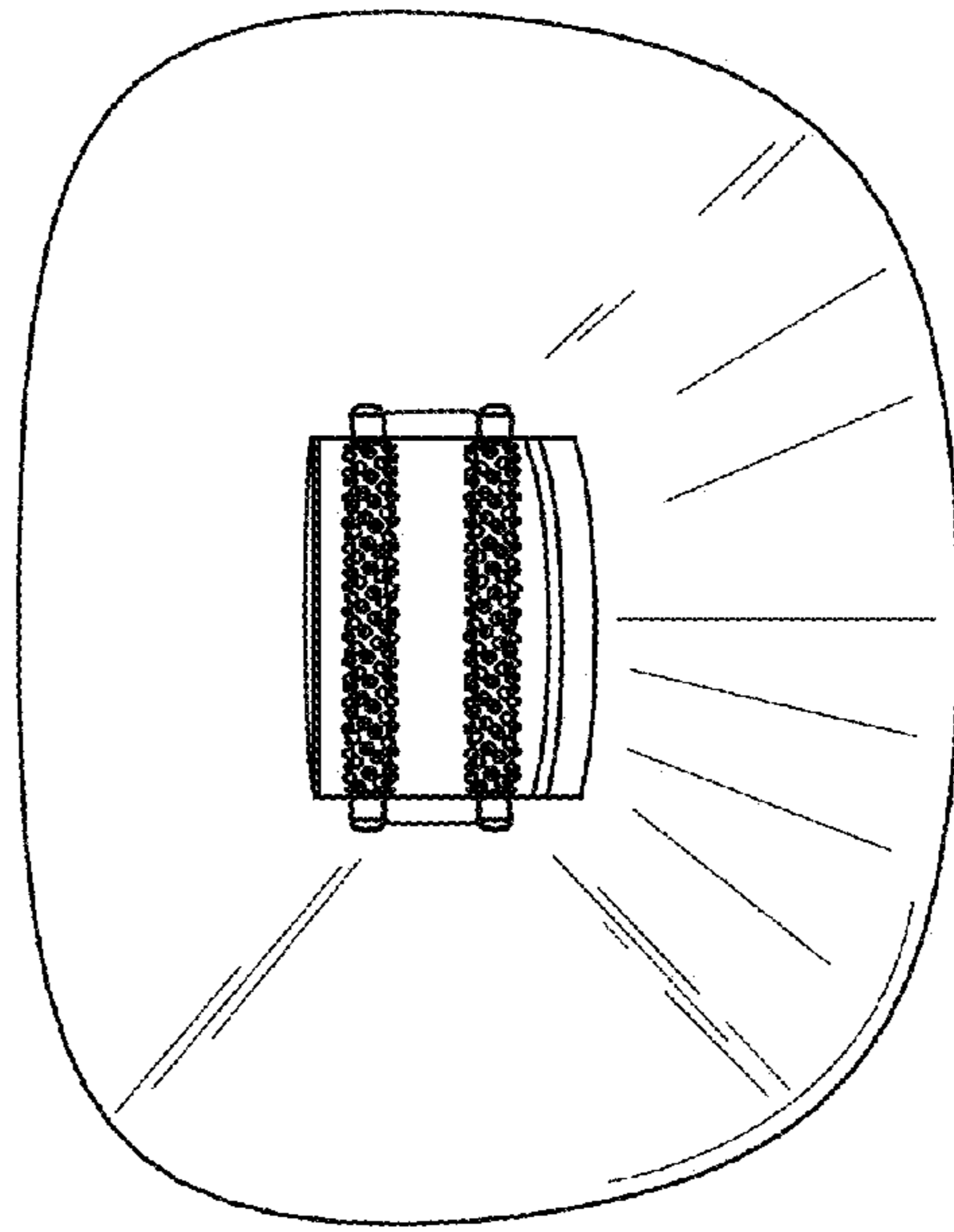


Fig. 1

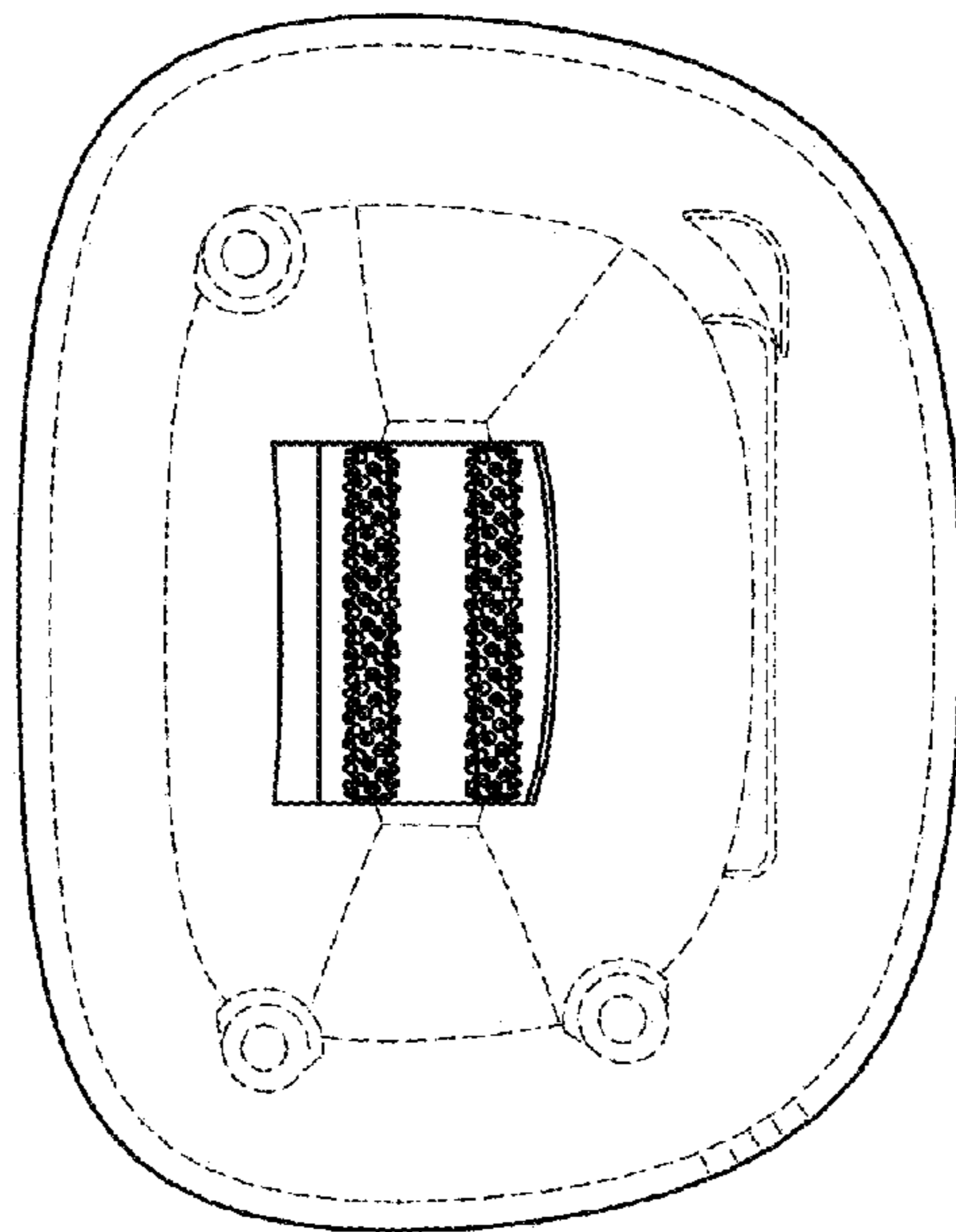


Fig. 2

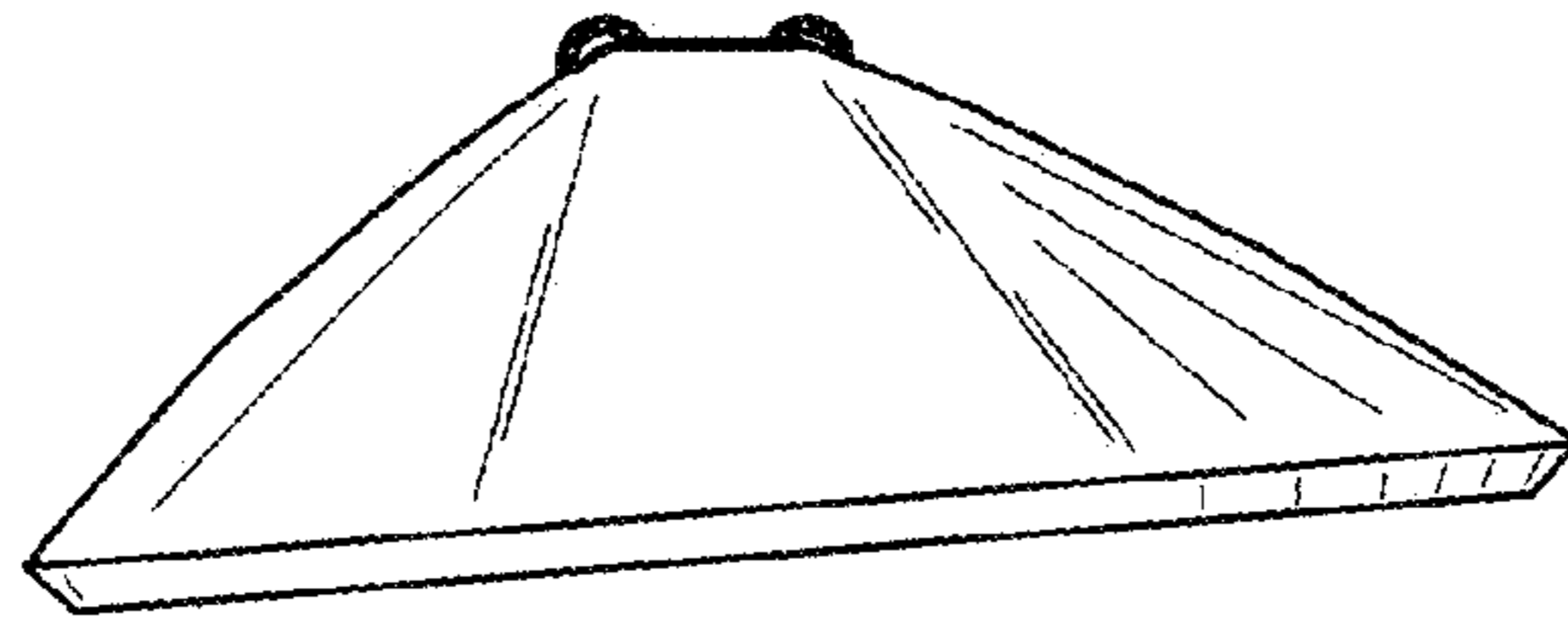


Fig. 3

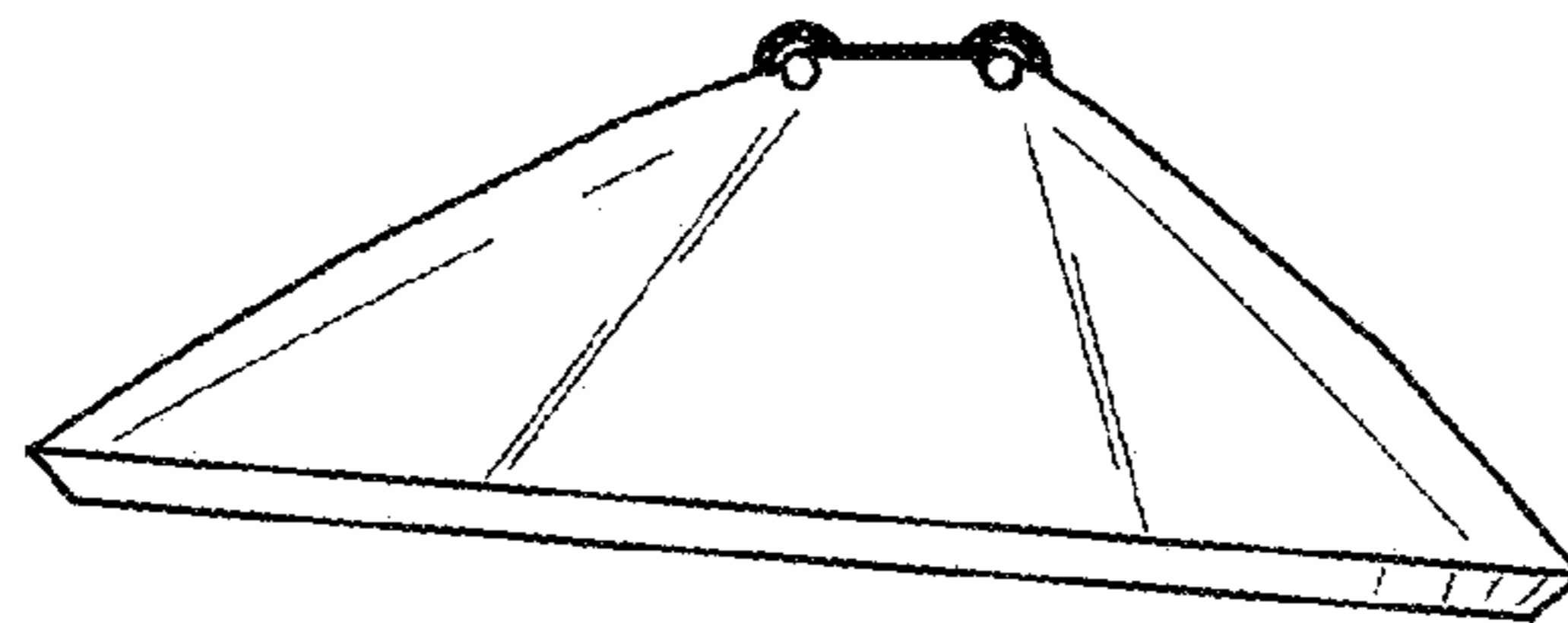


Fig. 4

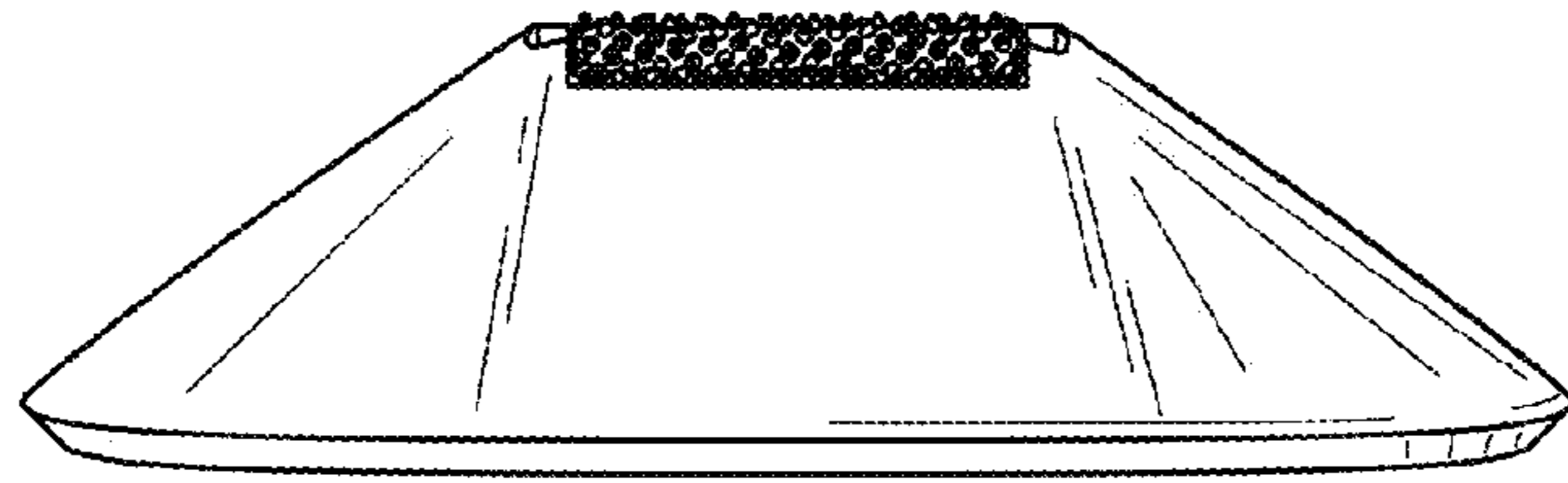


Fig. 5

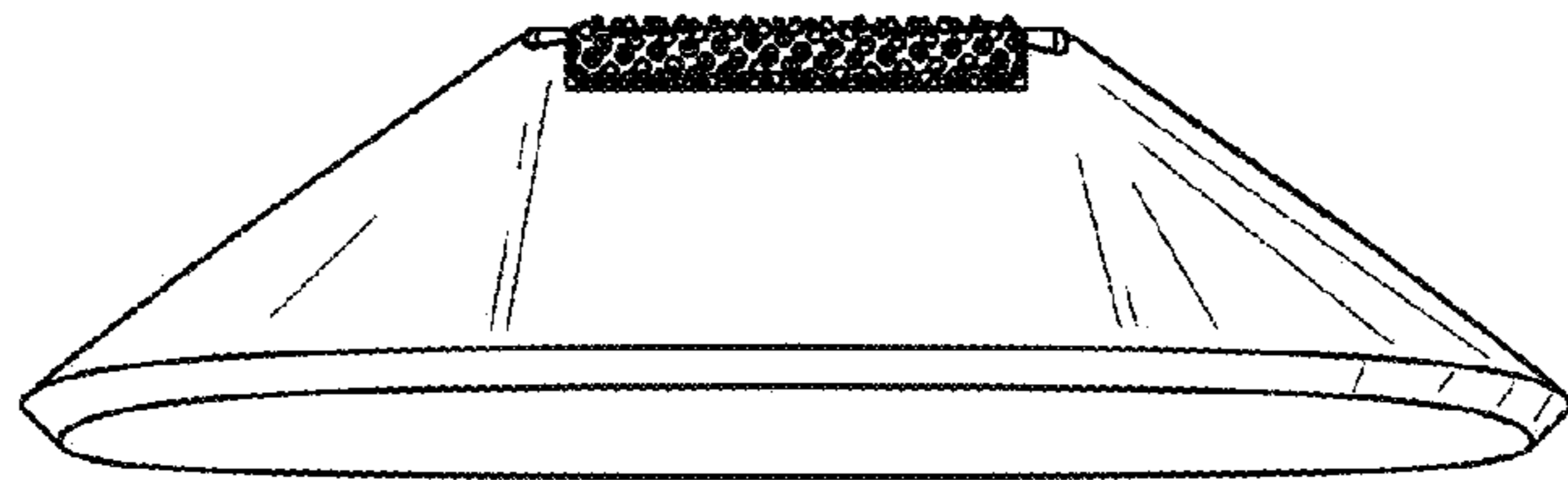


Fig. 6

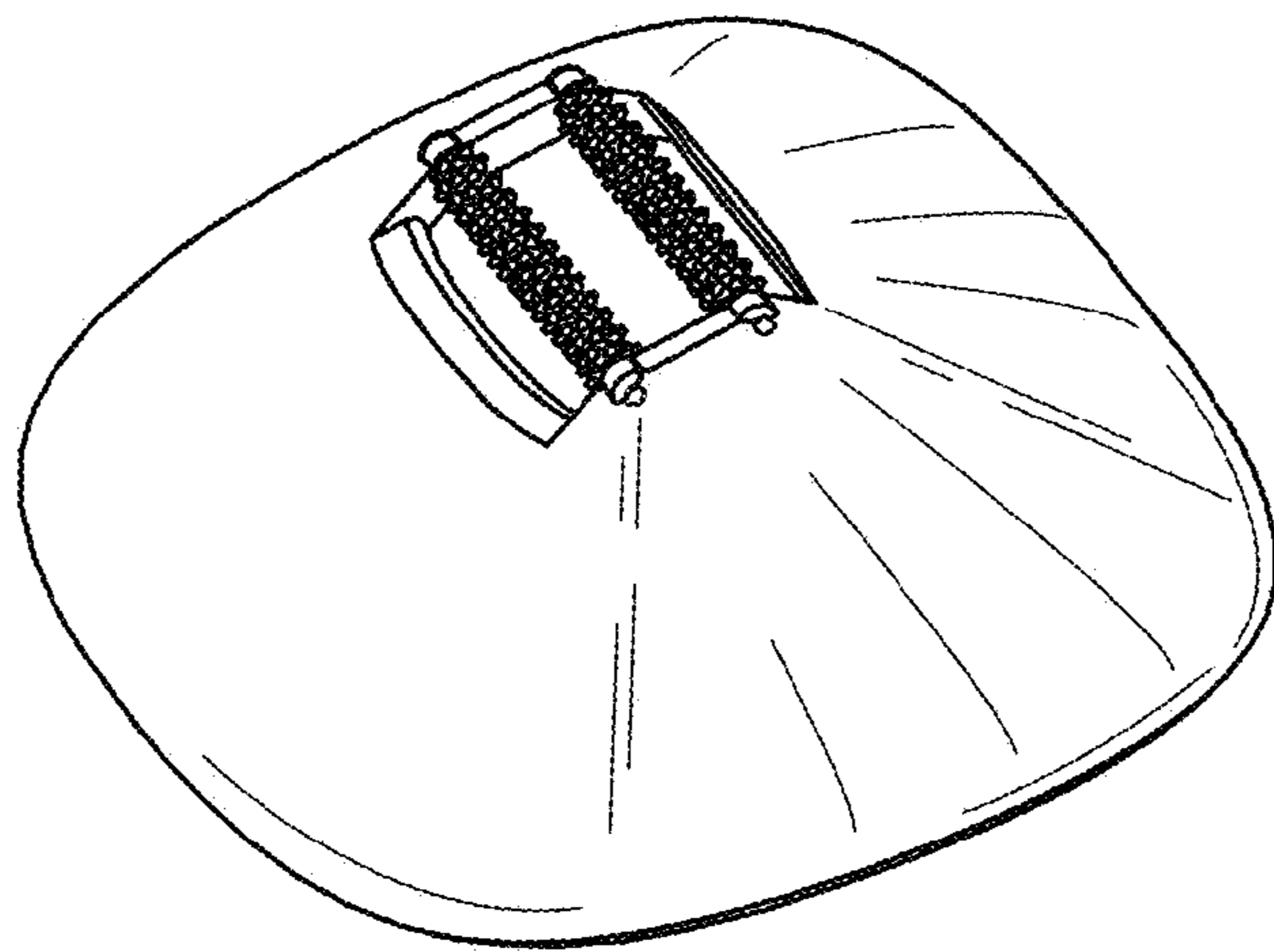


Fig. 7