



US00D750770S

(12) **United States Design Patent**
Green

(10) **Patent No.:** **US D750,770 S**
(45) **Date of Patent:** **** Mar. 1, 2016**

- (54) **CELL ENCAPSULATION DEVICE**
- (71) Applicant: **VIACYTE, INC.**, San Diego, CA (US)
- (72) Inventor: **Chad Green**, San Diego, CA (US)
- (73) Assignee: **VIACYTE, INC.**, San Diego, CA (US)
- (**) Term: **15 Years**
- (21) Appl. No.: **29/530,325**
- (22) Filed: **Jun. 16, 2015**

Related U.S. Application Data

- (62) Division of application No. 29/423,365, filed on May 31, 2012, now Pat. No. Des. 734,847.
- (51) **LOC (10) Cl.** **24-02**
- (52) **U.S. Cl.**
USPC **D24/118**
- (58) **Field of Classification Search**
USPC D24/118, 127, 108, 128, 111, 189, 224;
424/422-424; 604/317, 327, 408, 403,
604/108, 339, 92, 415, 410, 332, 333, 322,
604/323, 502; 435/371, 377, 289.1, 297.1;
128/DIG. 24; 383/22, 23, 35; D9/707,
D9/709, 696; 206/219; D18/56

See application file for complete search history.

(56) **References Cited**

U.S. PATENT DOCUMENTS

2,836,329 A	5/1958	Chenette	
2,896,619 A	7/1959	Bellamy, Jr.	
4,002,289 A *	1/1977	Moore	B01F 3/10 206/219
D288,409 S *	2/1987	Mikkelsen	D9/703
D289,551 S	4/1987	Steer	
D289,797 S	5/1987	Steer	
D298,279 S	10/1988	Lee et al.	
4,852,742 A	8/1989	Scuorzo	
4,895,198 A *	1/1990	Samuelson	A45C 1/00 150/111

D337,382 S	7/1993	Wallace	
5,314,471 A	5/1994	Brauker et al.	
D350,690 S	9/1994	Herra	
D362,913 S	10/1995	Eisenberg et al.	
D367,705 S	3/1996	Williams	
D369,607 S	5/1996	MacGilvary et al.	
5,545,223 A	8/1996	Neuenfeldt et al.	
5,593,440 A	1/1997	Brauker et al.	
5,713,888 A	2/1998	Neuenfeldt et al.	
5,733,336 A	3/1998	Neuenfeldt et al.	
5,759,180 A	6/1998	Myhres	
D400,252 S	10/1998	Ropiak et al.	
5,902,745 A	5/1999	Butler et al.	
5,964,261 A	10/1999	Neuenfeldt et al.	
6,060,640 A	5/2000	Pauley et al.	
6,474,467 B1 *	11/2002	Kurdian	B65D 23/00 209/219
D548,609 S	8/2007	Considine et al.	
D612,936 S	3/2010	Cremonese	
D644,534 S *	9/2011	Stengel	D9/707
D668,345 S	10/2012	Baumwald	
8,278,106 B2 *	10/2012	Martinson	A61K 35/39 435/289.1
D683,018 S	5/2013	Herivel et al.	
D714,161 S *	9/2014	Crawford	D9/707

(Continued)

Primary Examiner — David Muller

Assistant Examiner — Nathan Johnston

(74) *Attorney, Agent, or Firm* — Mark D. Wieczorek; Mayer & Williams PC

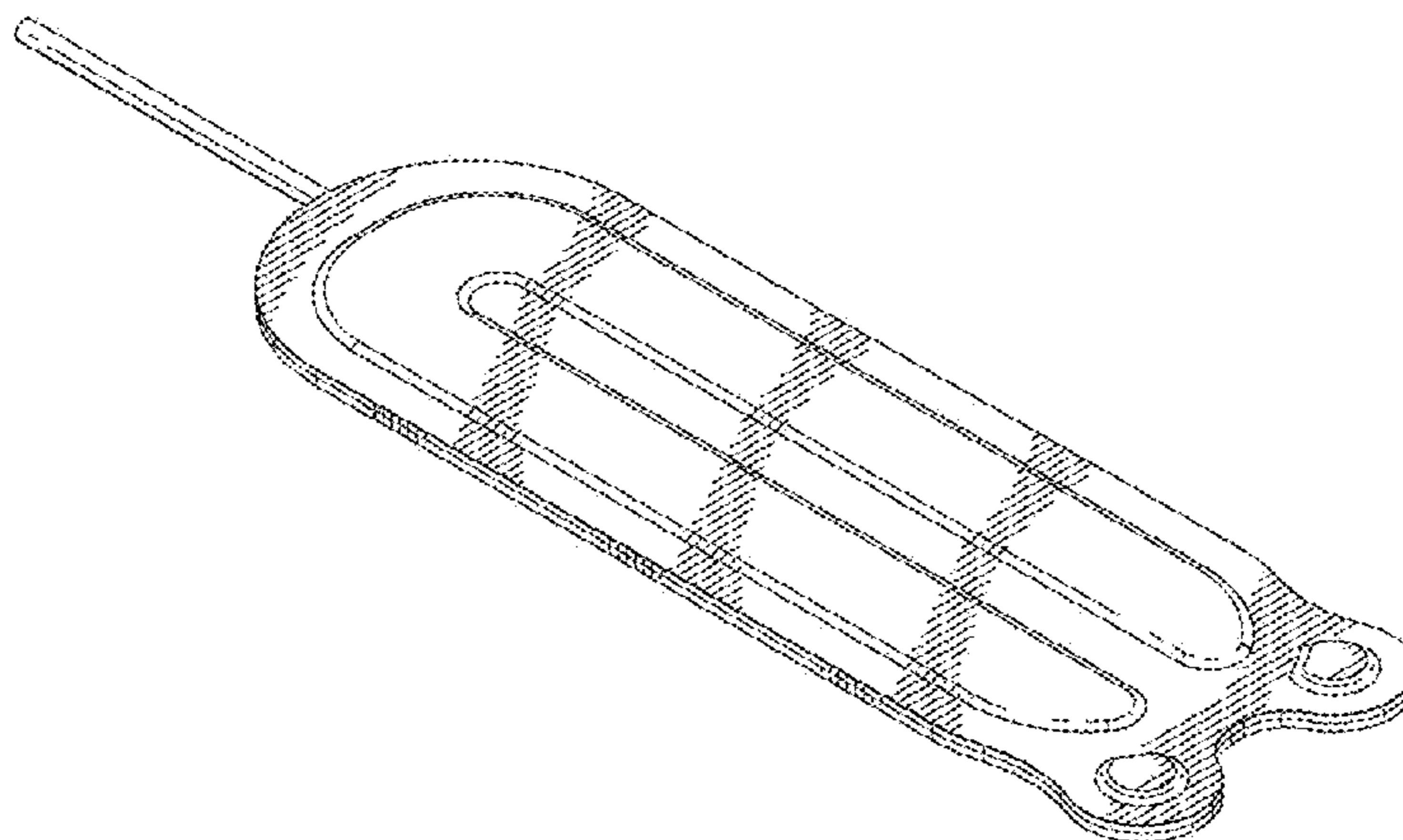
(57) **CLAIM**

The ornamental design for the cell encapsulation device, as shown.

DESCRIPTION

FIG. 1 is a perspective view of the cell encapsulation device. FIG. 2 is a top plan view thereof. FIG. 3 is a bottom plan view thereof. FIG. 4 is a left side elevation view thereof. FIG. 5 is a right side elevation thereof. FIG. 6 is a back elevation view thereof; and, FIG. 7 is a front elevation view thereof.

1 Claim, 3 Drawing Sheets



US D750,770 S

Page 2

(56)

References Cited

U.S. PATENT DOCUMENTS

D726,306 S *	4/2015	Green	D24/118	D734,847 S *	7/2015	Green	D24/118
D726,307 S *	4/2015	Green	D24/118	2003/0021823 A1	1/2003	Landers et al.		
D728,095 S *	4/2015	Green	D24/118	2010/0196439 A1	8/2010	Beck et al.		
					2011/0280915 A1	11/2011	Martinson et al.		
					2014/0014226 A1	1/2014	Green et al.		

* cited by examiner

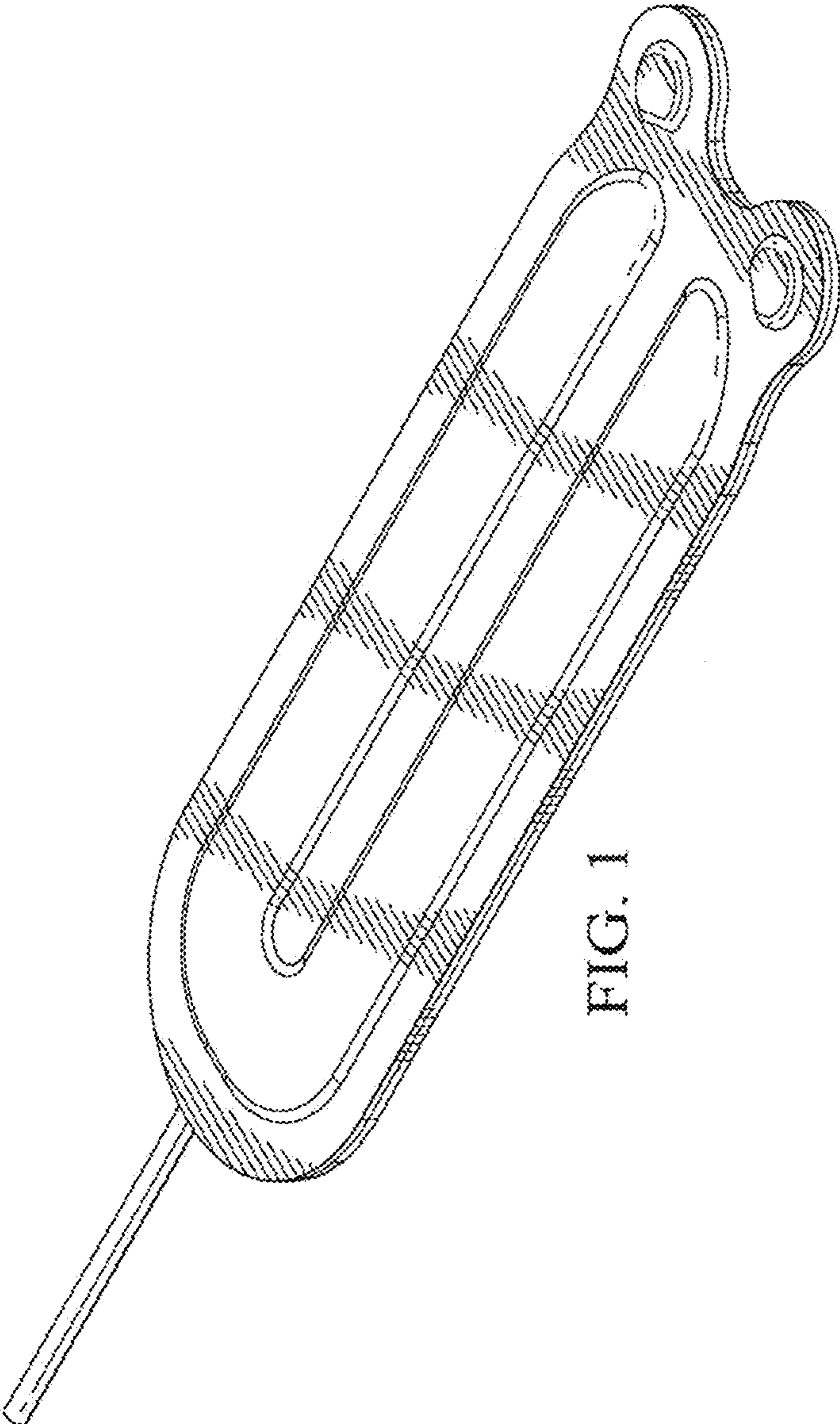


FIG. 1

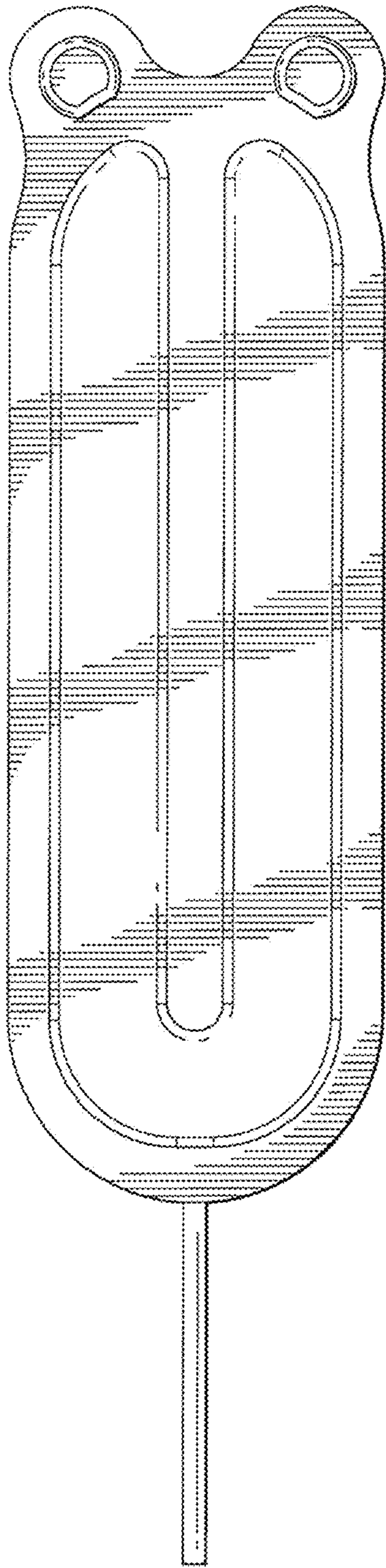


FIG. 2

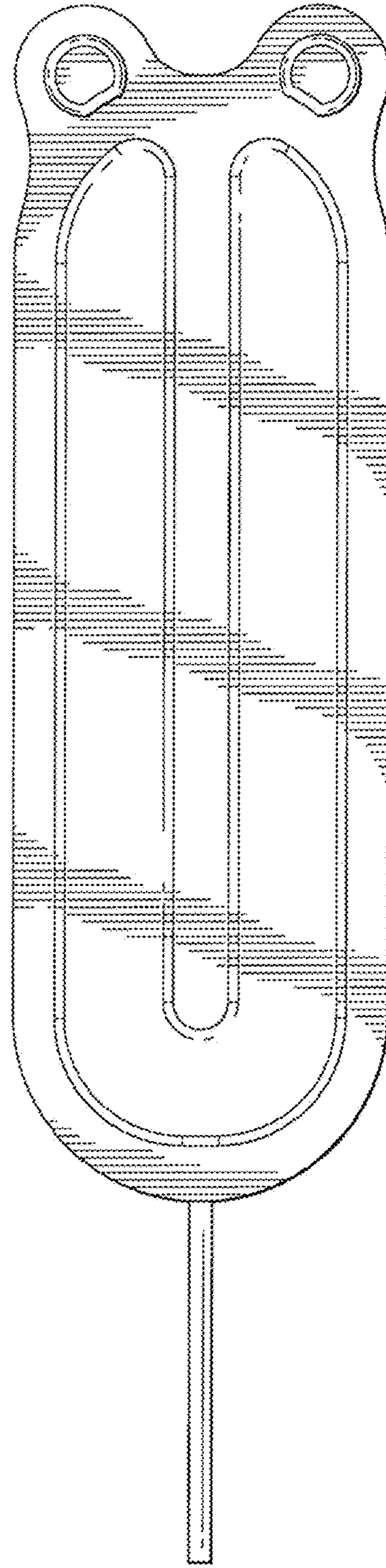


FIG. 3

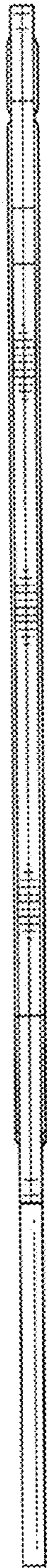


FIG. 4

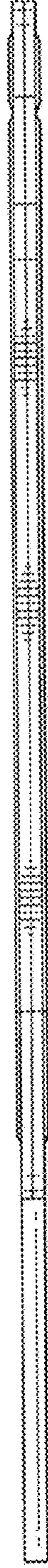


FIG. 5

FIG. 6

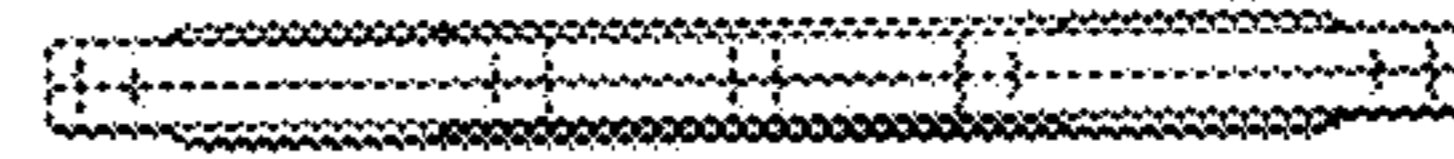


FIG. 7

