



US00D750767S

(12) **United States Design Patent**
Donovan et al.

(10) **Patent No.:** **US D750,767 S**
(45) **Date of Patent:** **** Mar. 1, 2016**

(54) **AIR FRESHENER CLIP**

(71) Applicant: **Julius Samann, Ltd.**, Hamilton (BM)
(72) Inventors: **Robert St. Clair Donovan**, Adams, NY (US); **Evan Gant**, Medford, MA (US)
(73) Assignee: **JULIUS SÄMANN LTD.**, Hamilton (BM)
(**) Term: **14 Years**

(21) Appl. No.: **29/507,918**

(22) Filed: **Oct. 31, 2014**

(51) **LOC (10) Cl.** **28-99**

(52) **U.S. Cl.**
USPC **D23/368**

(58) **Field of Classification Search**
USPC D8/382-396, 71-74, 499, 354-355;
D14/214, 172; D13/168; D23/366-368
CPC D05F 55/00; F16B 19/1081; G09F 3/14;
B42F 1/006

See application file for complete search history.

(56) **References Cited**

U.S. PATENT DOCUMENTS

1,769,409	A	*	7/1930	Armstrong	A01M 1/2055
						239/56
D247,573	S	*	3/1978	Schimanski	D23/366
D258,758	S	*	3/1981	Johnson	D23/364
D378,126	S	*	2/1997	Williams	D23/366
D468,274	S	*	1/2003	Novak	D13/168
D472,887	S	*	4/2003	Right	D14/172
D478,018	S	*	8/2003	Adamosky	D10/65
D505,118	S	*	5/2005	Arz	D13/168
D543,445	S	*	5/2007	Latal	D8/383
D559,666	S	*	1/2008	Yoshie	D8/383
D611,585	S	*	3/2010	Gruenbacher	D23/366
D629,500	S	*	12/2010	Koenig	D23/368
D641,609	S	*	7/2011	Yagame	D8/354
D648,018	S	*	11/2011	Sordo	D23/366
D662,582	S	*	6/2012	Olchovy	D23/366

(Continued)

FOREIGN PATENT DOCUMENTS

CZ 31366-0002 * 3/2003
GB 22811 * 1/2008

OTHER PUBLICATIONS

Amazon.com: Titanium Rain Driven Visor Clip: Automotive, review date Sep. 17, 2012, online, <http://www.amazon.com/Titanium-Rain-Driven-Visor-Clip/dp/B006HPQE9S>, [site visited Sep. 24, 2015 7:49:50 PM].*

(Continued)

Primary Examiner — John Windmuller

Assistant Examiner — John R Yeh

(74) *Attorney, Agent, or Firm* — Oblon, McClelland, Maier & Neustadt, L.L.P.

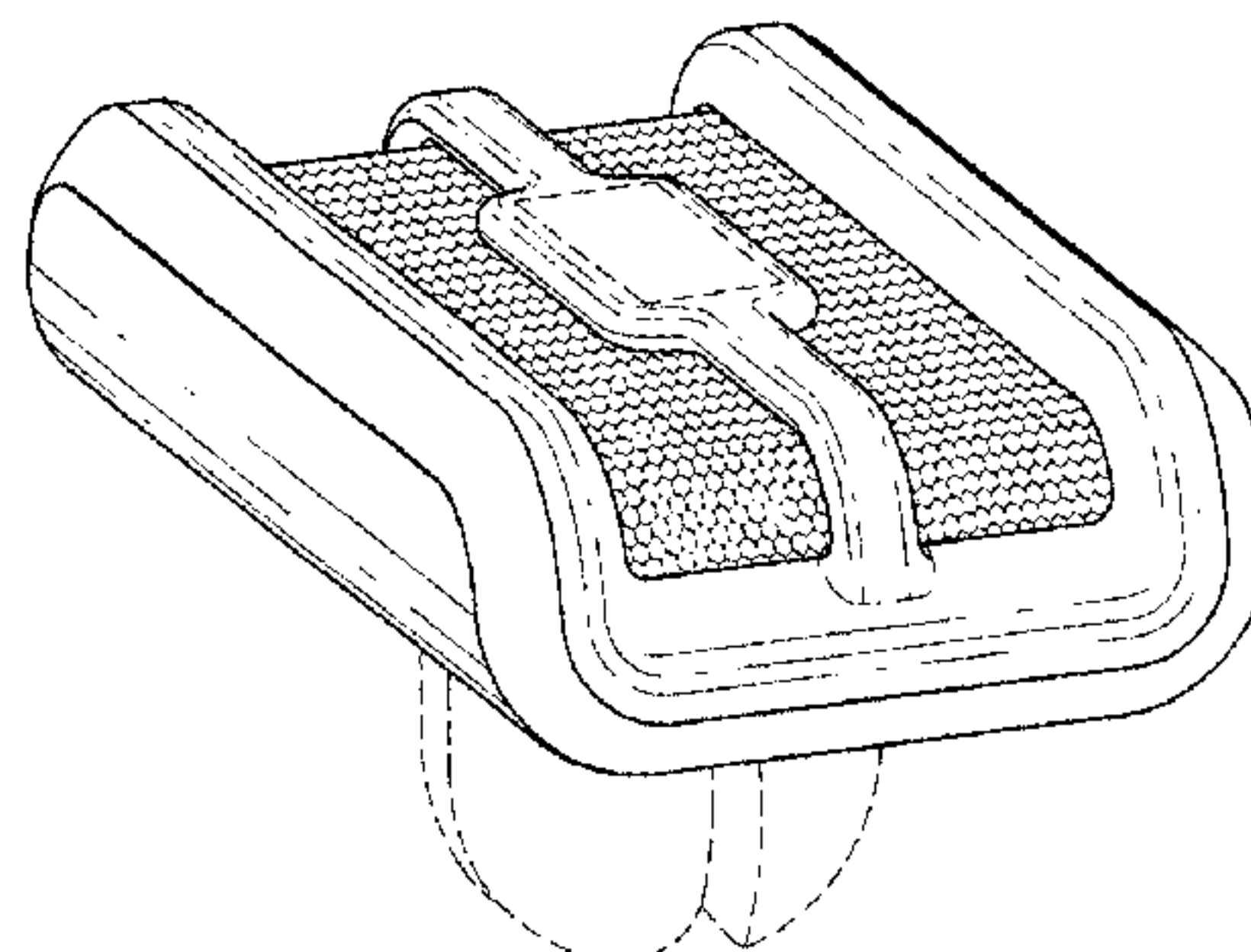
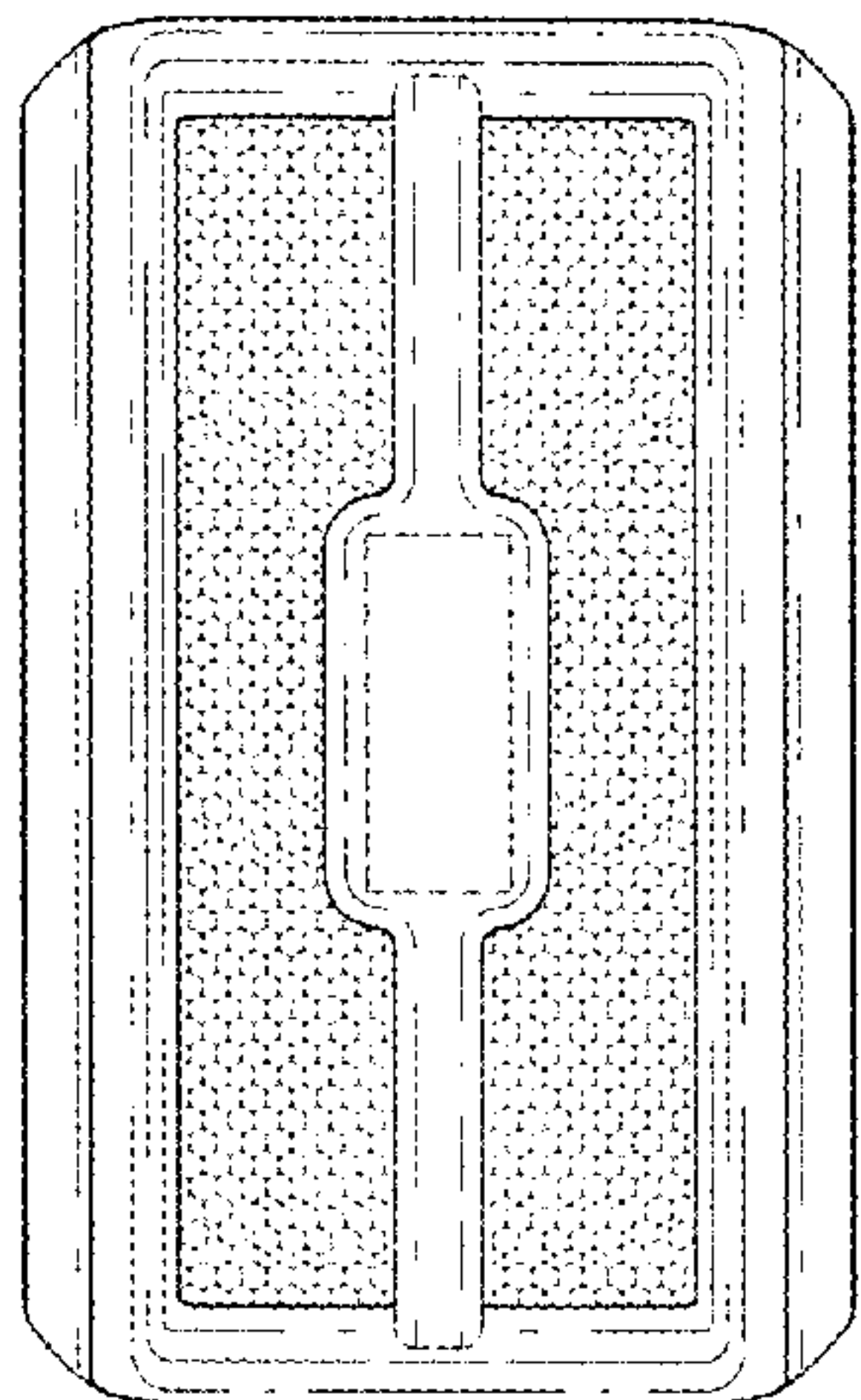
(57) **CLAIM**

We claim the ornamental design for an air freshener clip, as shown and described.

DESCRIPTION

FIG. 1 is a front elevation view of my design for an air freshener clip;
FIG. 2 is a right side elevation view thereof, the left side view being a mirror image thereof;
FIG. 3 is a rear elevation view thereof;
FIG. 4 is a top plan view thereof, the bottom plan view being a mirror image thereof;
FIG. 5 is a front, top, and right side perspective view thereof; and,
FIG. 6 is a rear, top, and right side perspective view thereof. The broken lines in the drawings show portions of the air freshener clip that form no part of the claimed design. The hexagonal pattern is drawn in broken lines and forms no part of the claimed design.

1 Claim, 6 Drawing Sheets



(56)

References Cited

OTHER PUBLICATIONS

U.S. PATENT DOCUMENTS

D692,848 S * 11/2013 Poandl D14/172
D695,705 S * 12/2013 Shimizu D14/172
D701,112 S * 3/2014 Ukai D8/382
D715,915 S * 10/2014 Schouten D23/368
D721,428 S * 1/2015 Donovan D23/368
2004/0188535 A1 * 9/2004 Hart A61L 9/12
239/57
2007/0258795 A1 * 11/2007 Nakazato F16B 5/065
411/508
2011/0036922 A1 * 2/2011 Bulsink B60H 3/0028
239/47

Febreze Car Vent Clips, Air Freshener, Linen & Sky | drugstore.com,
review date Nov. 25, 2012, online, [http://www.drugstore.com/
febreze-car-vent-clips-air-freshener-linen-and-sky/
qxp385037?tab=1#TbITabStrip](http://www.drugstore.com/febreze-car-vent-clips-air-freshener-linen-and-sky/qxp385037?tab=1#TbITabStrip), [site visited Sep. 24, 2015 7:46:15
PM].*

* cited by examiner

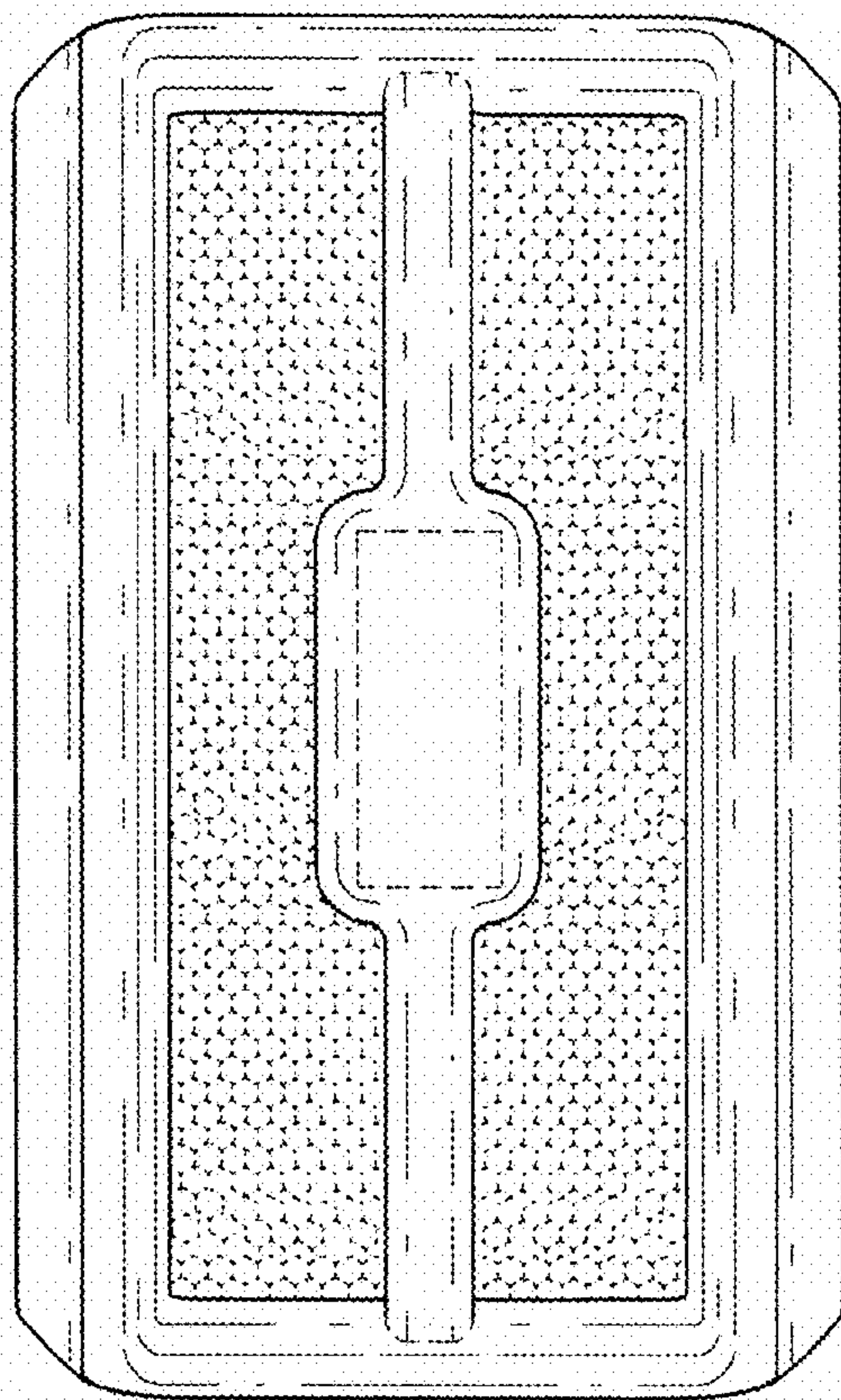


FIG. 1

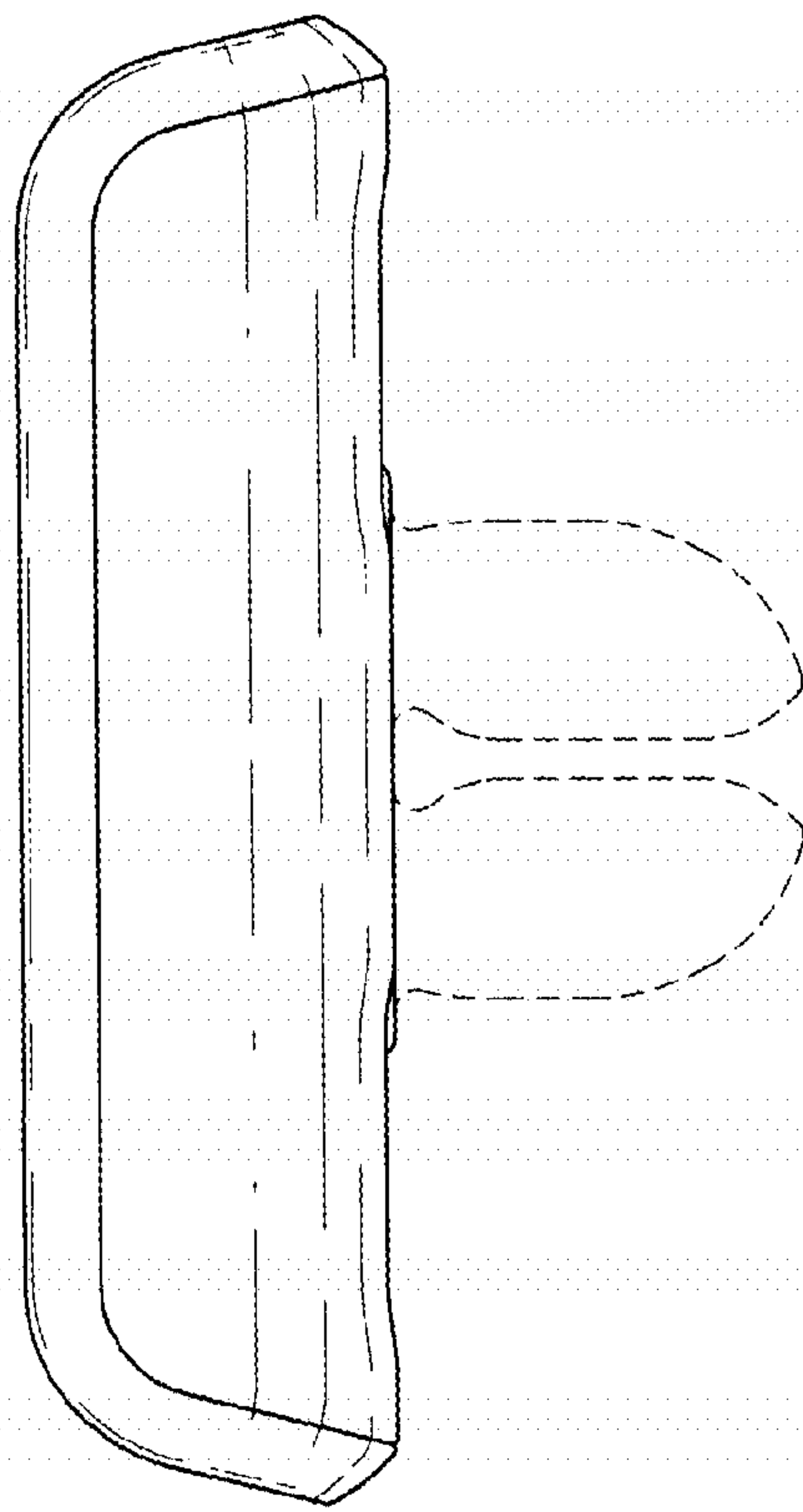


FIG. 2

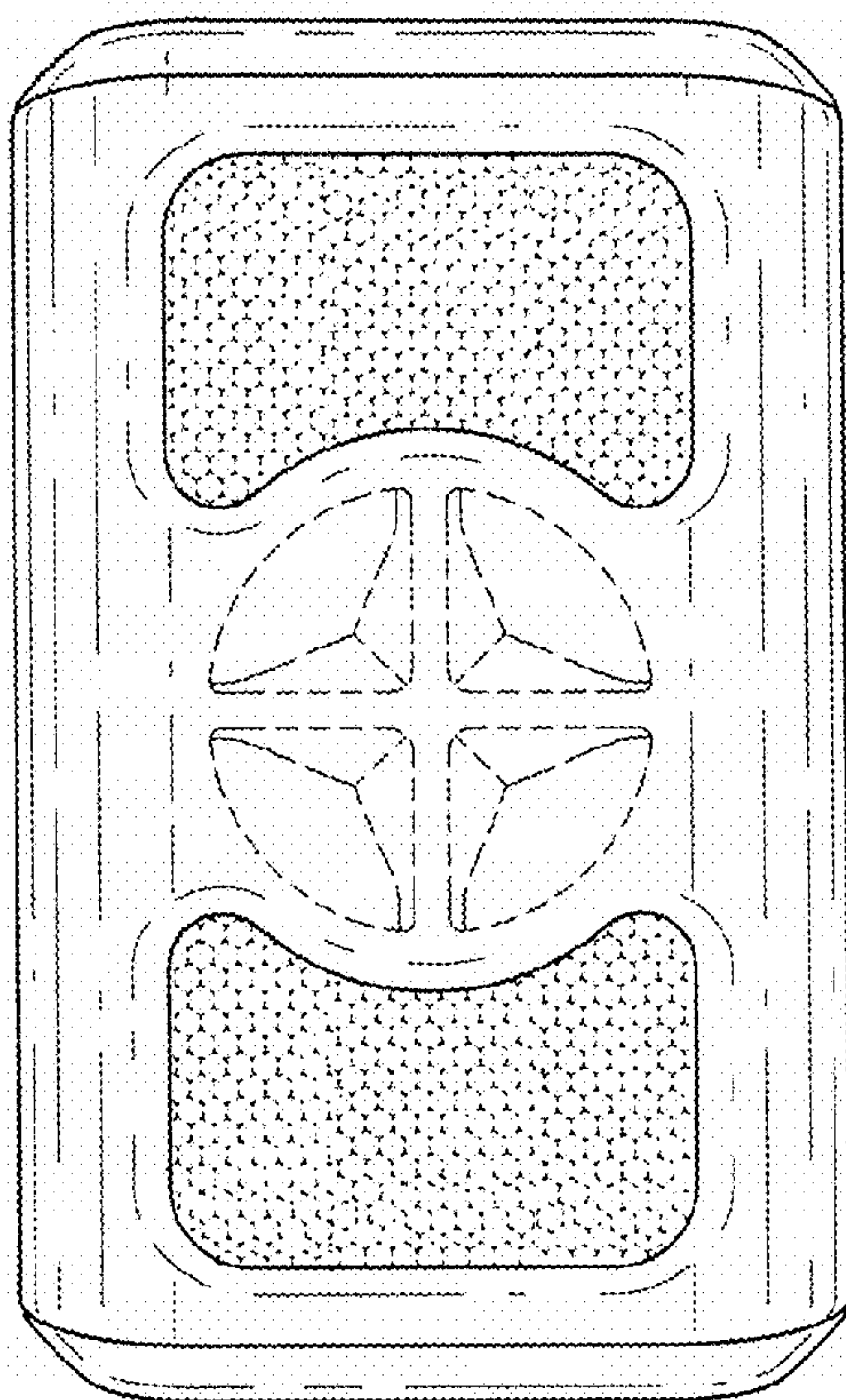


FIG. 3

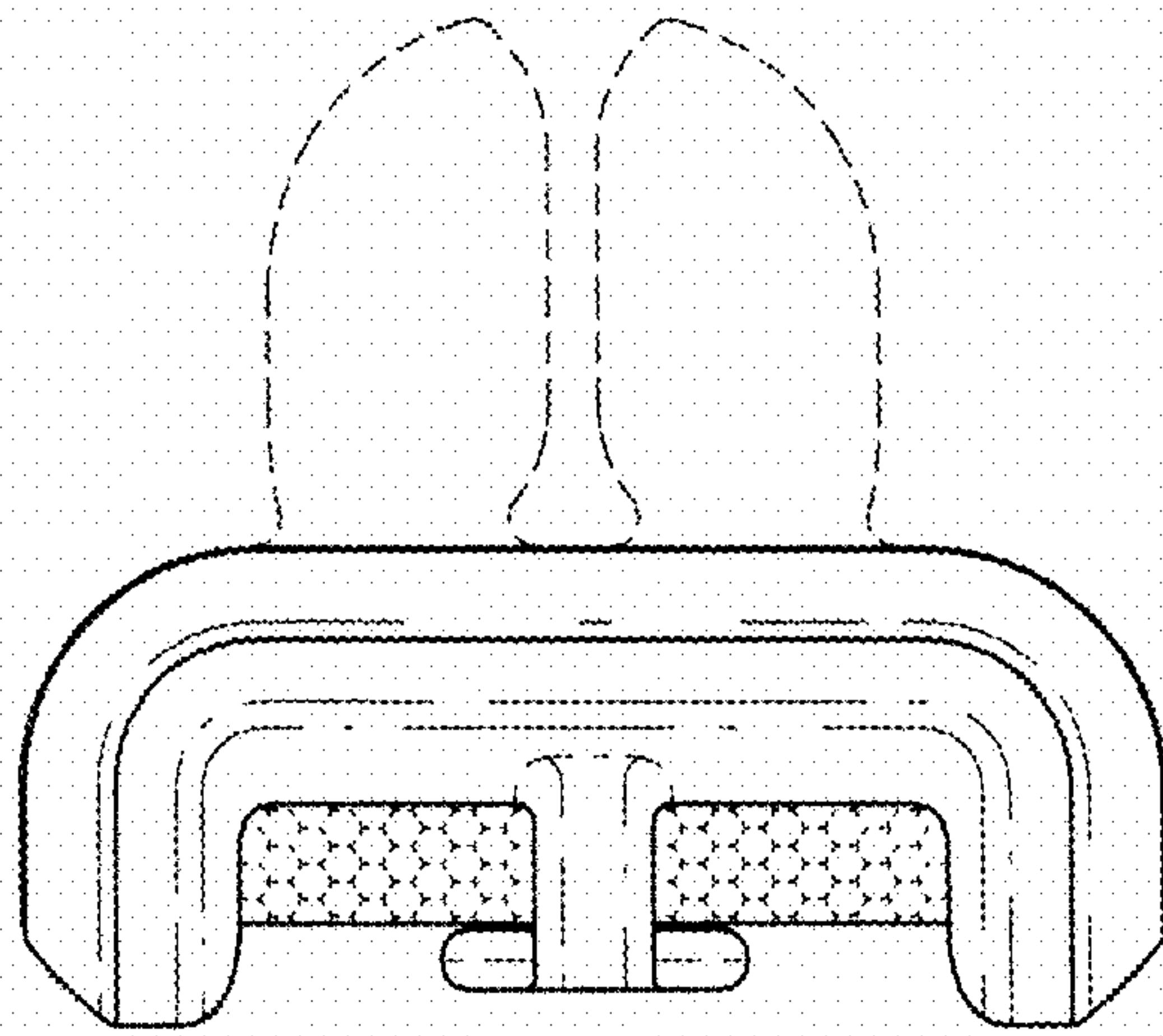


FIG. 4

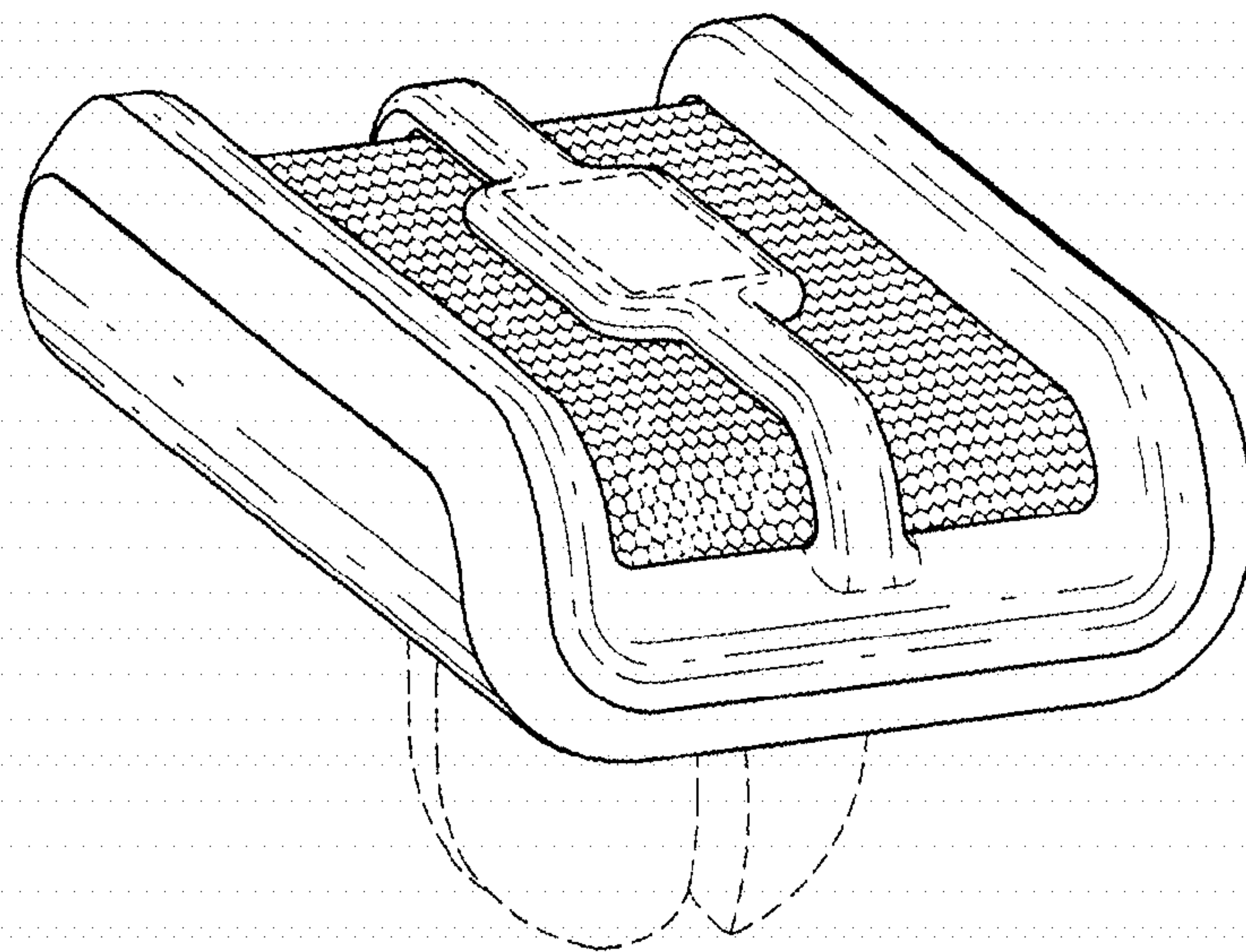


FIG. 5

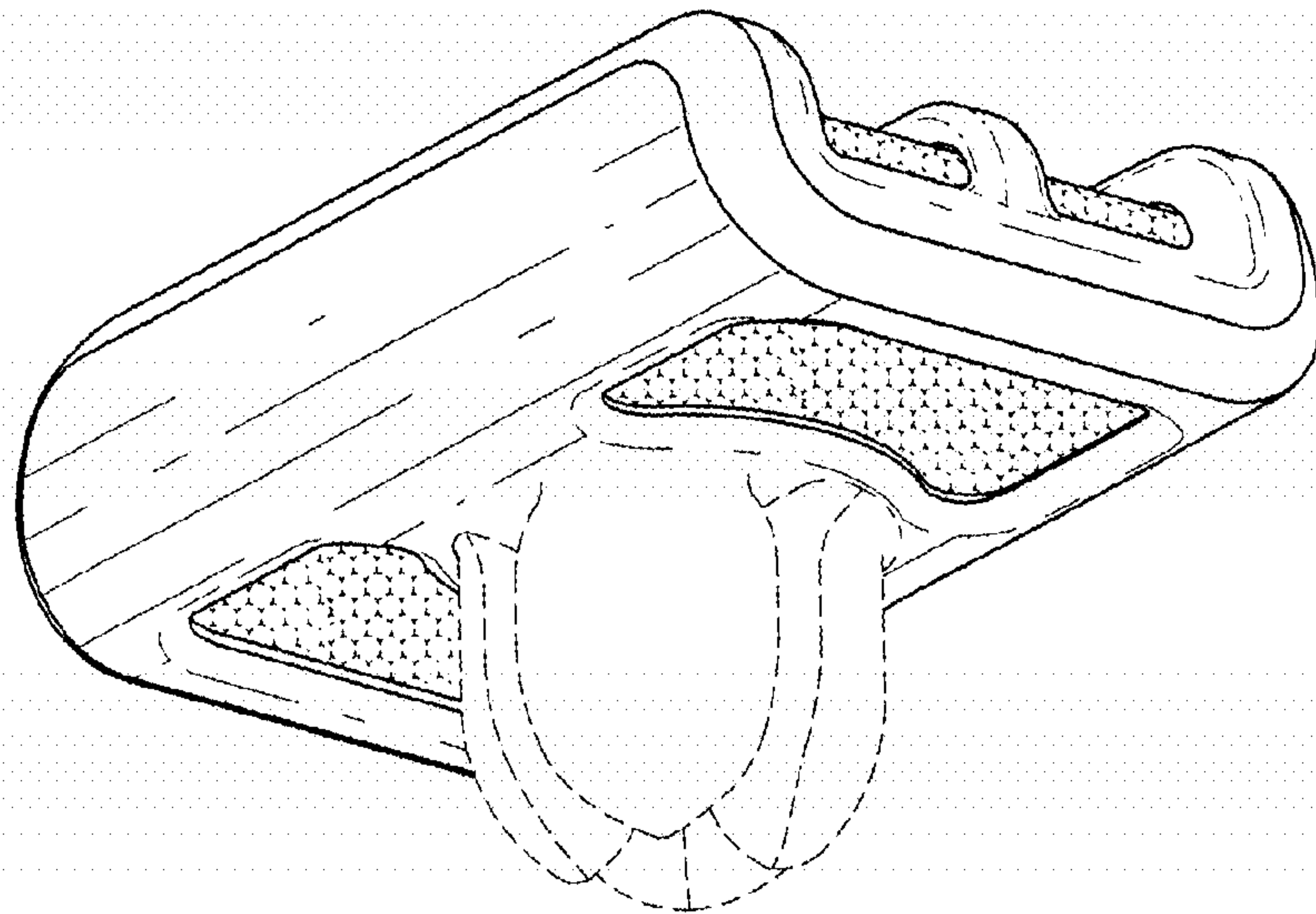


FIG. 6

UNITED STATES PATENT AND TRADEMARK OFFICE
CERTIFICATE OF CORRECTION

PATENT NO. : D750,767 S
APPLICATION NO. : 29/507918
DATED : March 1, 2016
INVENTOR(S) : Robert St. Clair Donovan et al.

Page 1 of 1

It is certified that error appears in the above-identified patent and that said Letters Patent is hereby corrected as shown below:

On the title page, item (71) should read:
(71) Applicants: JULIUS SÄMANN LTD., Hamilton (BM)

Signed and Sealed this
Sixth Day of September, 2016



Michelle K. Lee
Director of the United States Patent and Trademark Office