



US00D750765S

(12) **United States Design Patent**
Giametta

(10) **Patent No.:** **US D750,765 S**
(45) **Date of Patent:** **** Mar. 1, 2016**

(54) **PORTABLE TOILET SEAT**

(71) Applicant: **Joseph Anthony Giametta**, Biloxi, MS
(US)

(72) Inventor: **Joseph Anthony Giametta**, Biloxi, MS
(US)

(**) Term: **14 Years**

(21) Appl. No.: **29/524,868**

(22) Filed: **Apr. 24, 2015**

(51) **LOC (10) Cl.** **23-02**

(52) **U.S. Cl.**
USPC **D23/311**

(58) **Field of Classification Search**
USPC D23/296, 303, 309, 311-312, 299;
D6/611
CPC A47K 13/00; A47K 13/06; A47K 13/05;
A47K 11/02
See application file for complete search history.

(56) **References Cited**

U.S. PATENT DOCUMENTS

4,606,080 A * 8/1986 Clementino A47K 11/02
4/449
D346,436 S * 4/1994 Wilks D23/312

D430,926 S * 9/2000 Kowalski D23/296
D434,479 S * 11/2000 Junk D23/311
D662,755 S * 7/2012 Salvaneschi D6/611

* cited by examiner

Primary Examiner — Robert Delehanty

(74) *Attorney, Agent, or Firm* — Ash Tankha; Lipton,
Weinberger & Husick

(57) **CLAIM**

The ornamental design for a portable toilet seat, as shown and described.

DESCRIPTION

FIG. 1 is a top perspective view of an ornamental design for a portable toilet seat;

FIG. 2 is a bottom perspective view thereof;

FIG. 3 is a front elevation view thereof;

FIG. 4 is a rear elevation view thereof;

FIG. 5 is a top plan view thereof;

FIG. 6 is a bottom view thereof;

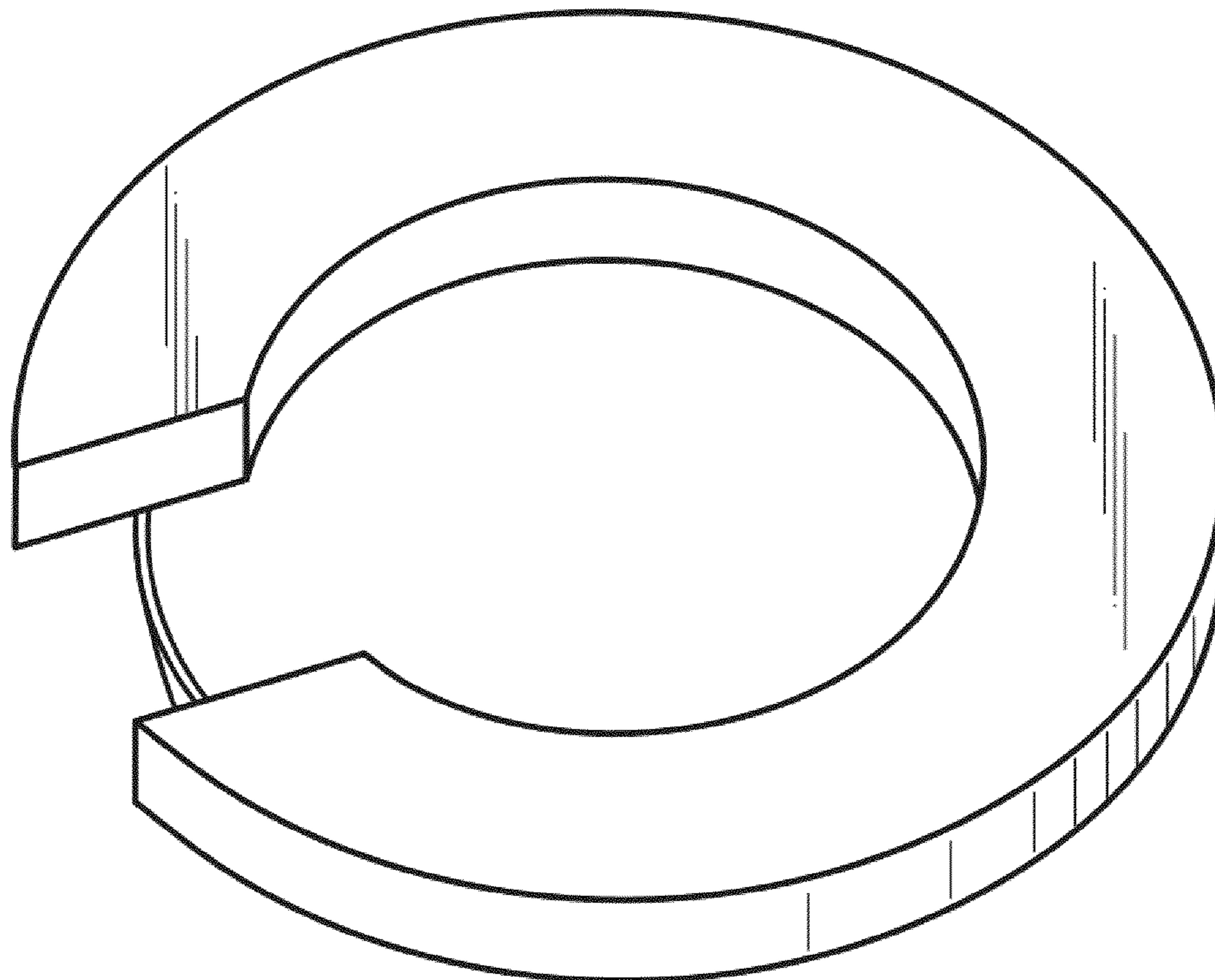
FIG. 7 is a right side elevation view thereof;

FIG. 8 is a left side elevation view thereof; and,

FIG. 9 is a front elevation view thereof, showing the portable toilet seat positioned on a bucket.

The broken line showing of the bucket in FIG. 9 is for the purpose of illustrating environment and forms no part of the claimed design.

1 Claim, 5 Drawing Sheets



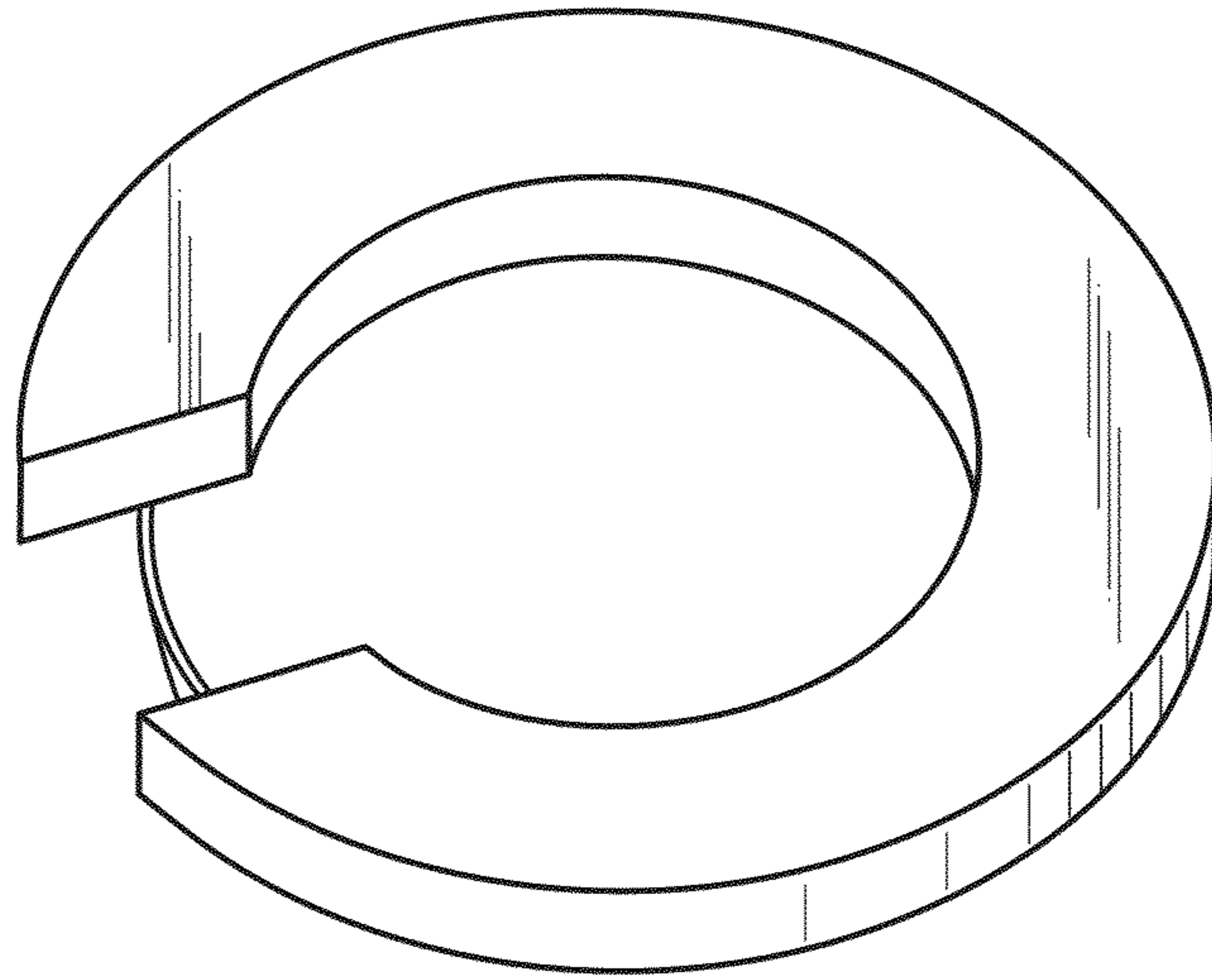


FIG. 1

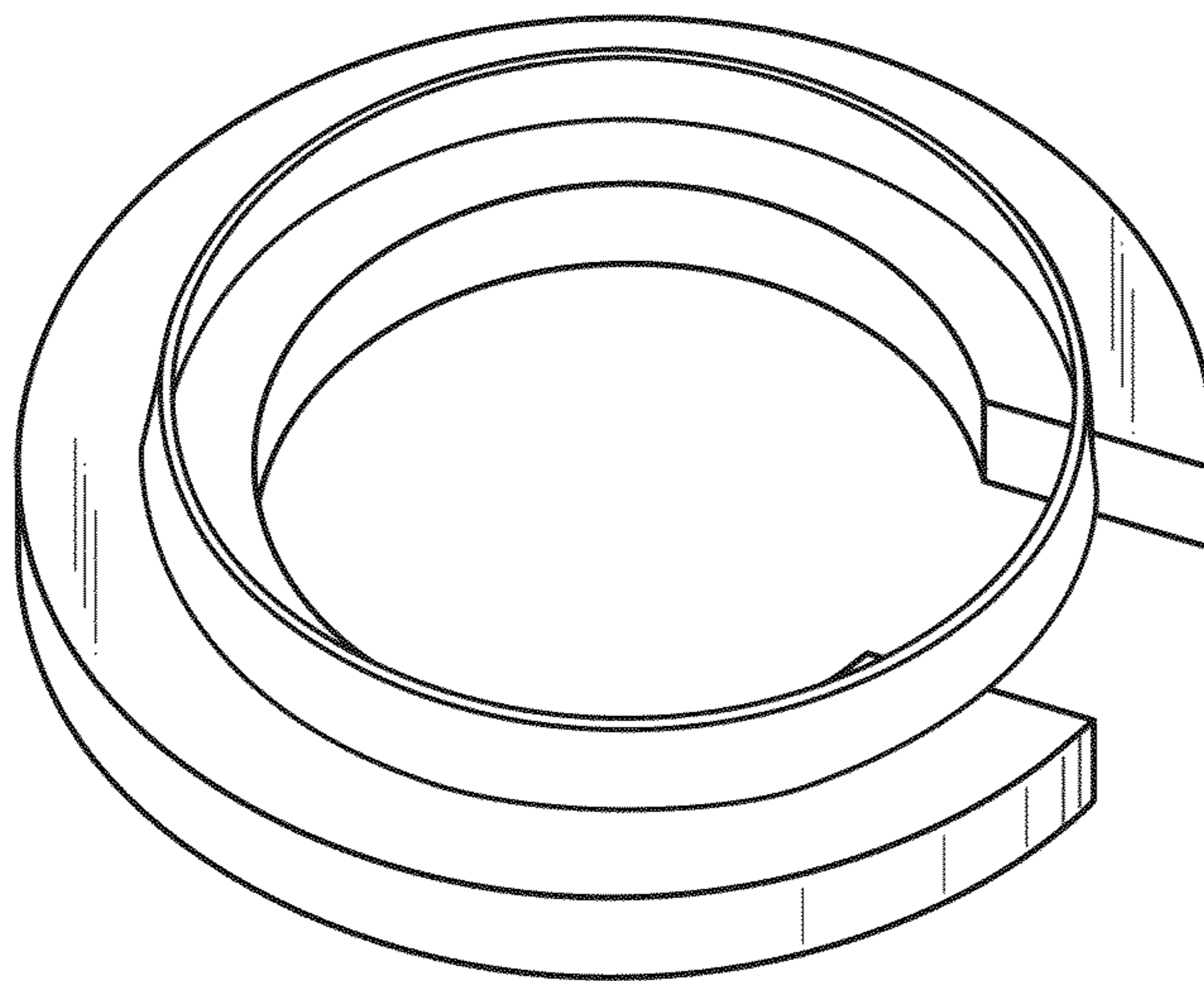


FIG. 2



FIG. 3

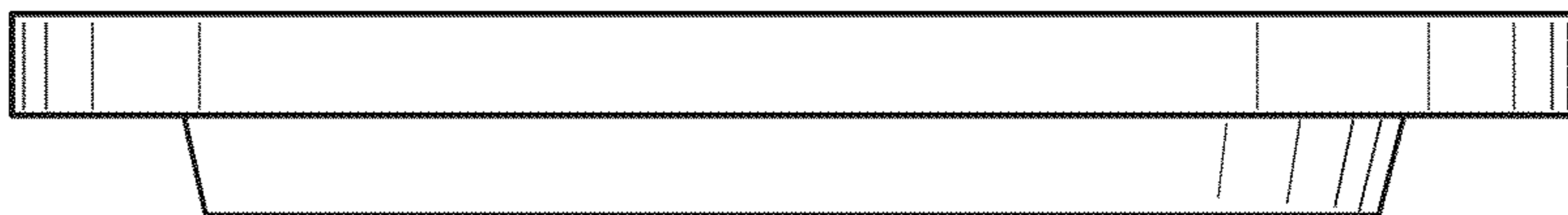


FIG. 4

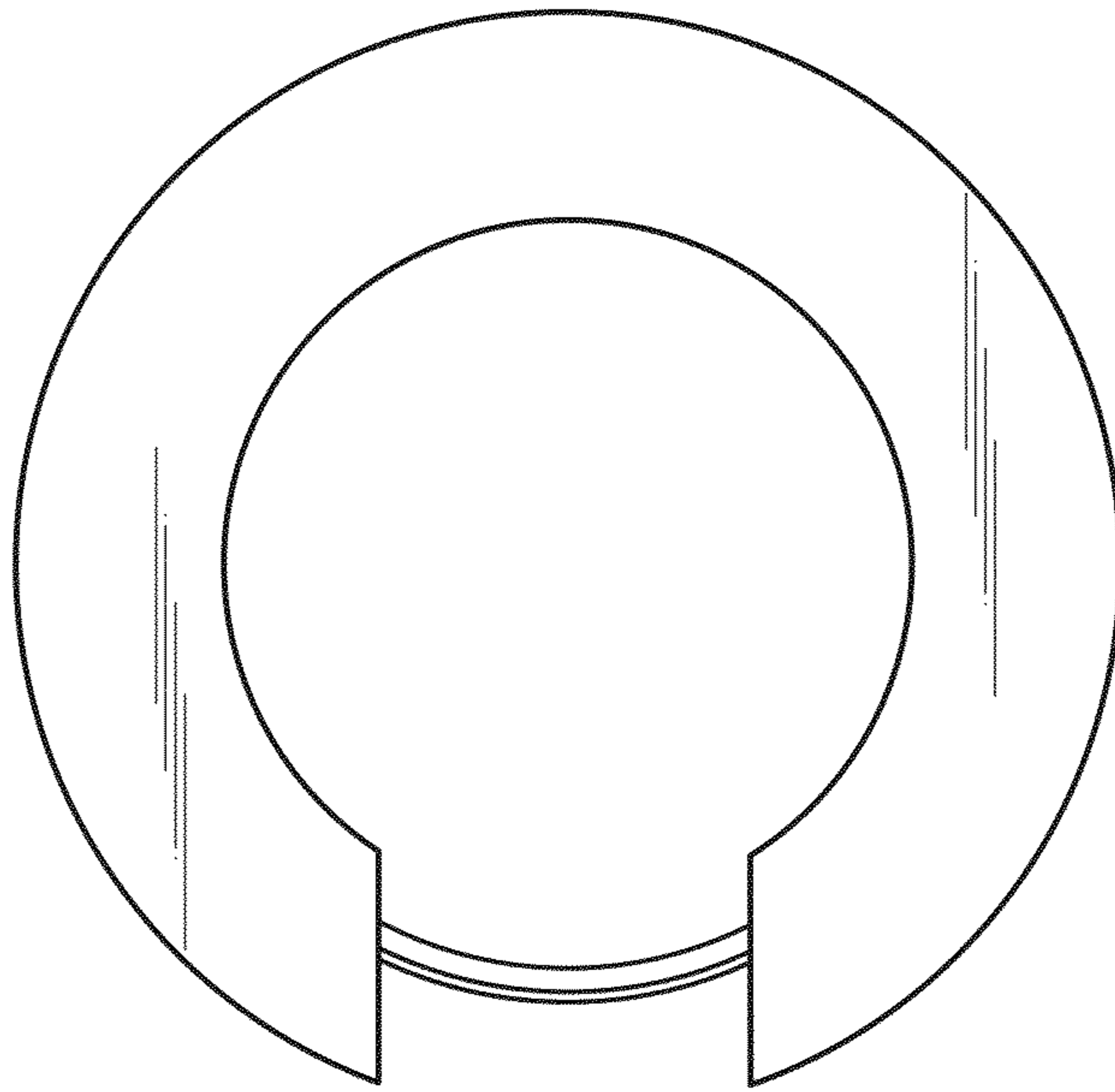


FIG. 5

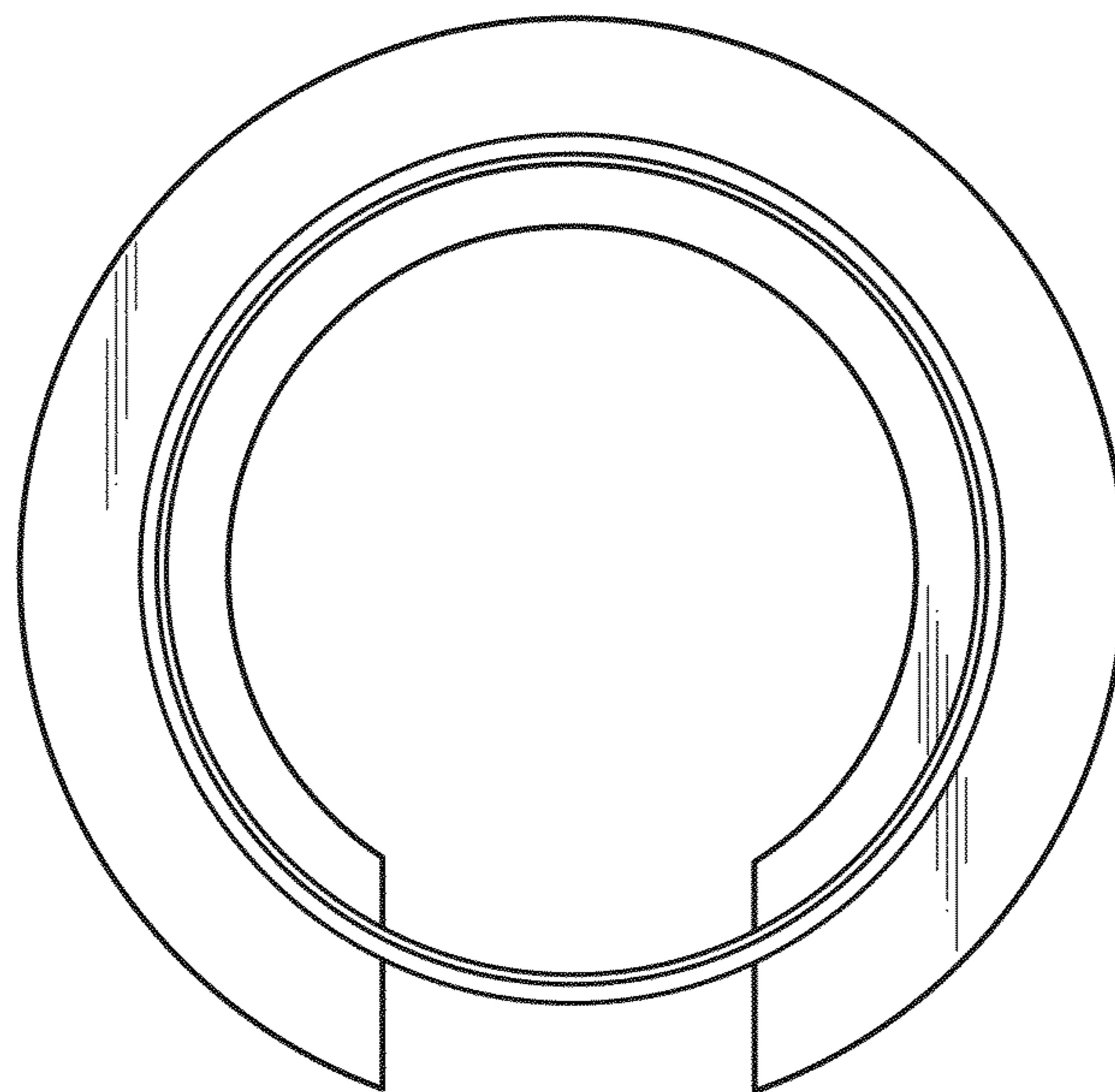


FIG. 6



FIG. 7

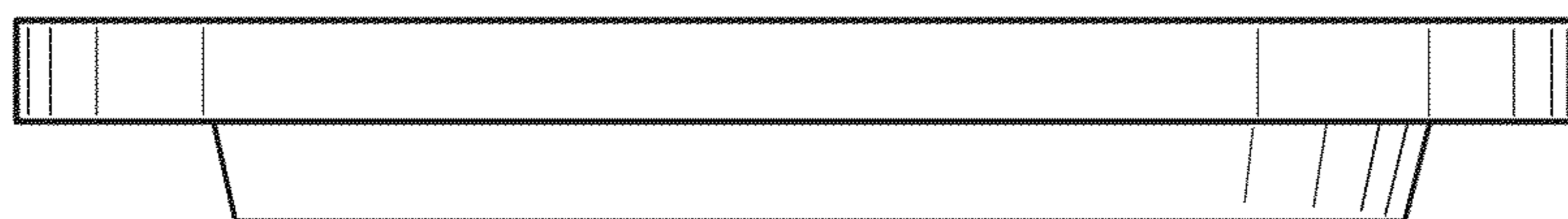


FIG. 8

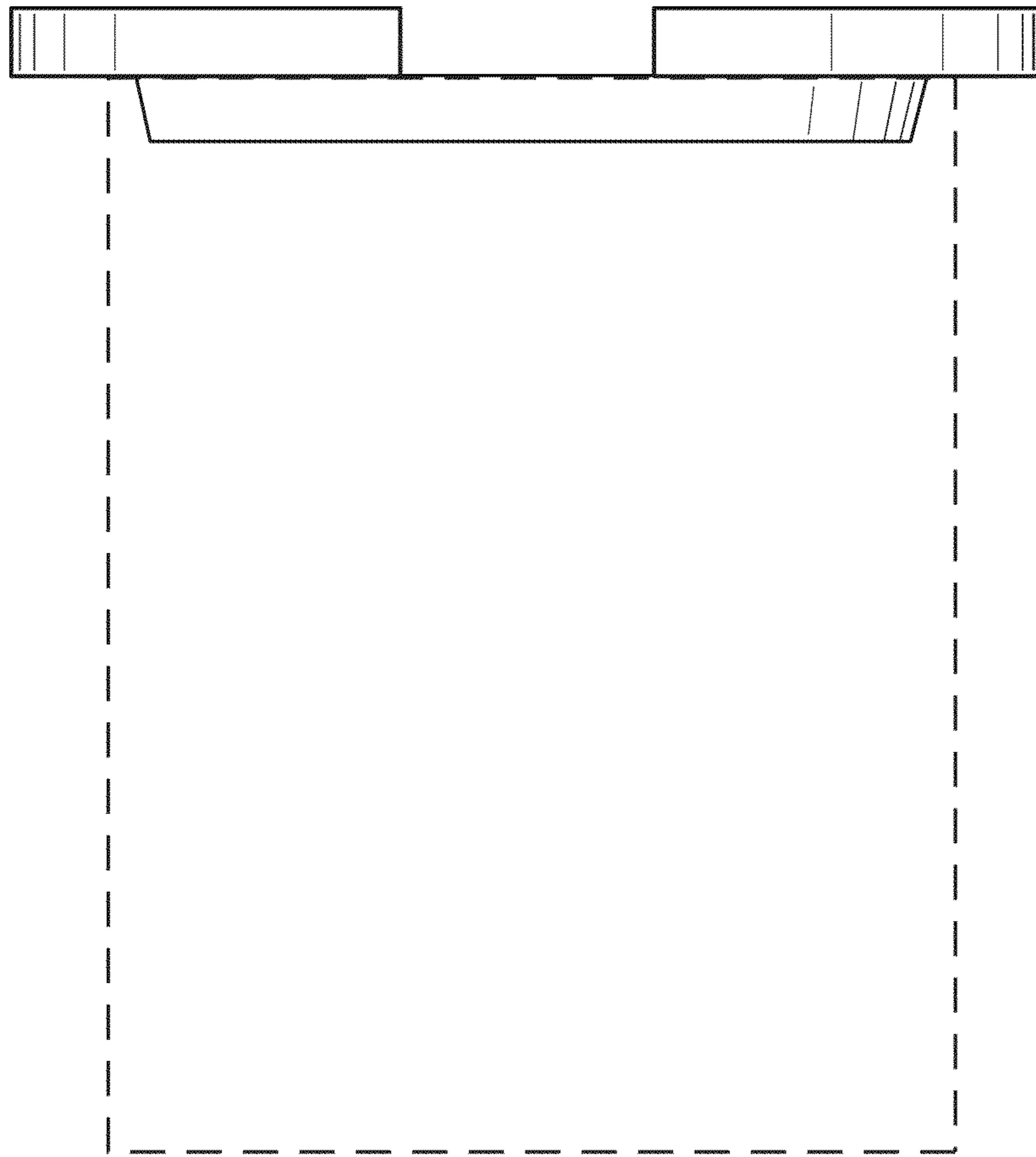


FIG. 9