



US00D750762S

(12) **United States Design Patent**  
**Eads**

(10) **Patent No.:** **US D750,762 S**  
(45) **Date of Patent:** **\*\* Mar. 1, 2016**

(54) **TOILET**

(56) **References Cited**

(71) Applicant: **Delta Faucet Company**, Indianapolis, IN (US)  
(72) Inventor: **Thad Eads**, North Manchester, IN (US)  
(73) Assignee: **DELTA FAUCET COMPANY**, Indianapolis, IN (US)

U.S. PATENT DOCUMENTS

D185,618 S *	6/1959	Teague .....	D23/301
D424,181 S *	5/2000	Caplow .....	D23/301
D472,310 S *	3/2003	Kawamura .....	D23/301
D578,620 S *	10/2008	Zou .....	D23/301
D628,279 S *	11/2010	Jiang .....	D23/301
D702,820 S *	4/2014	Spangler .....	D23/301

\* cited by examiner

*Primary Examiner* — Robert Delehanty  
(74) *Attorney, Agent, or Firm* — Edgar A. Zarins; Nirav D. Parikh

(\*\*) Term: **14 Years**

(21) Appl. No.: **29/512,338**

(57) **CLAIM**  
The ornamental design for a toilet, as shown and described.

**DESCRIPTION**

(22) Filed: **Dec. 18, 2014**

(51) **LOC (10) Cl.** ..... **23-02**

(52) **U.S. Cl.**  
USPC ..... **D23/301**

(58) **Field of Classification Search**  
USPC ..... D23/295, 301, 303, 309, 313  
CPC ..... E03D 1/00; E03D 1/01; E03D 11/02  
See application file for complete search history.

FIG. 1 is a perspective view of a toilet showing my new design;  
FIG. 2 is a top plan view thereof;  
FIG. 3 is a bottom view thereof;  
FIG. 4 is a right side view thereof;  
FIG. 5 is a front elevational view thereof;  
FIG. 6 is a left side view thereof; and,  
FIG. 7 is a rear view thereof.

**1 Claim, 3 Drawing Sheets**

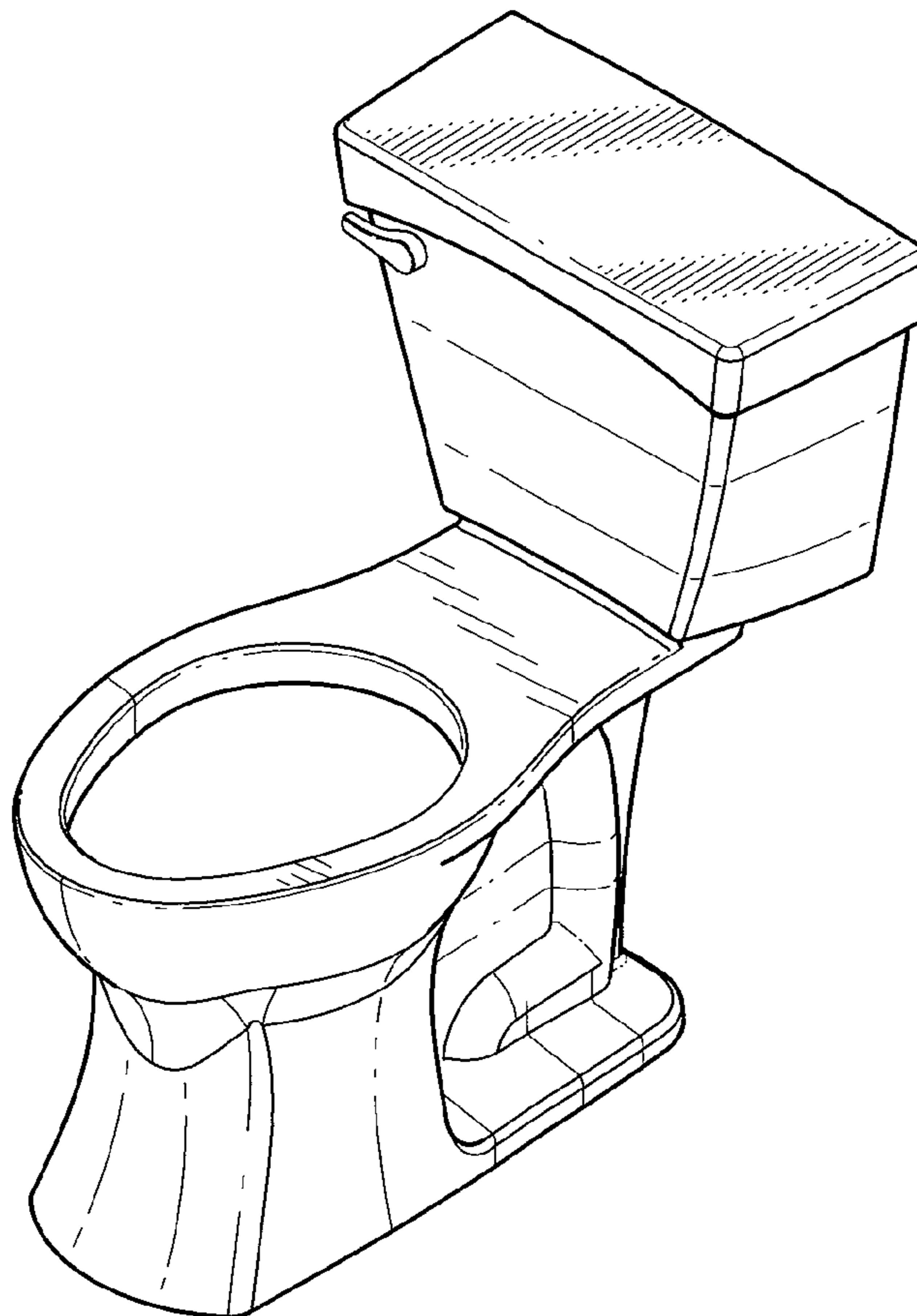


Fig-1

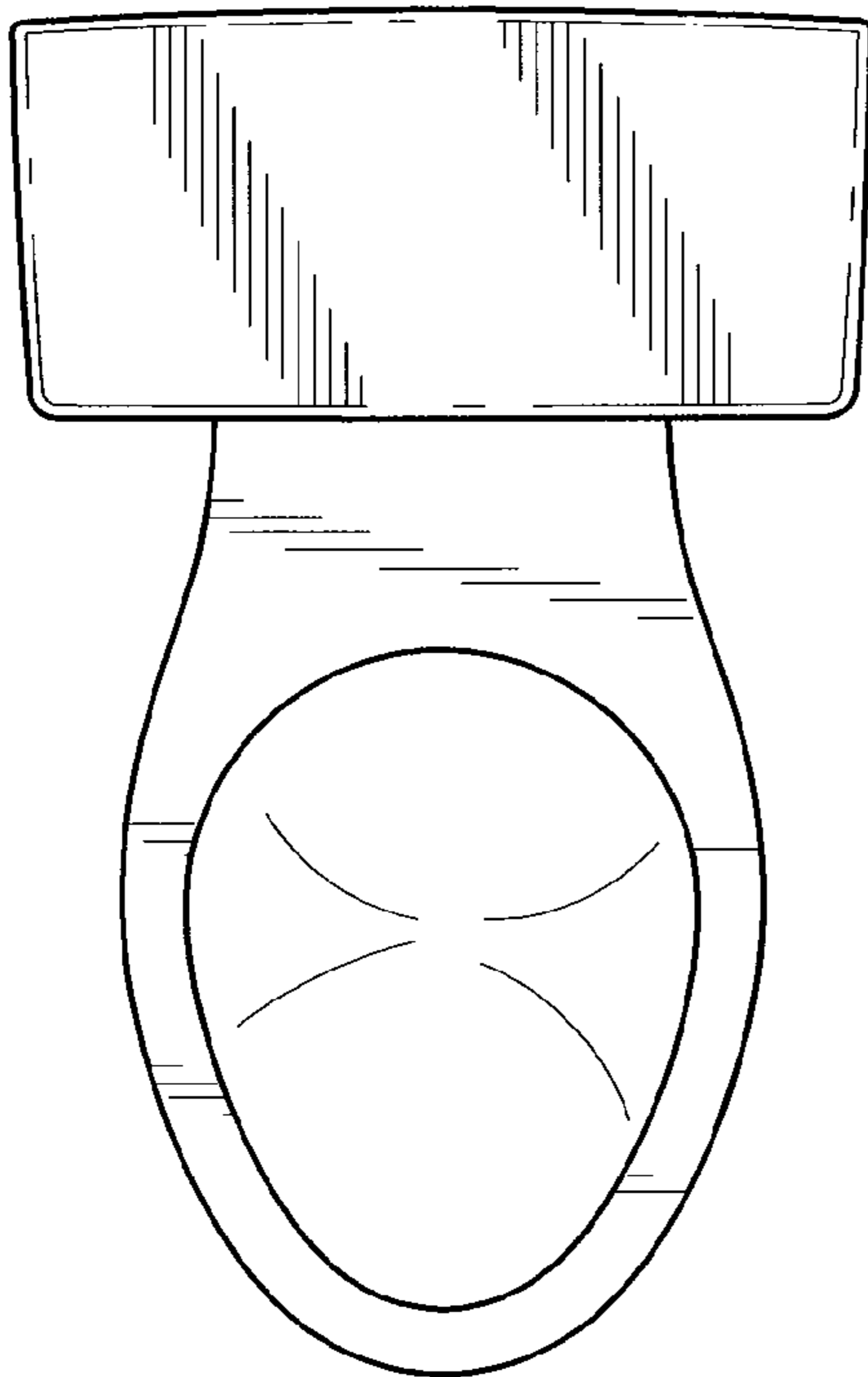


Fig-2

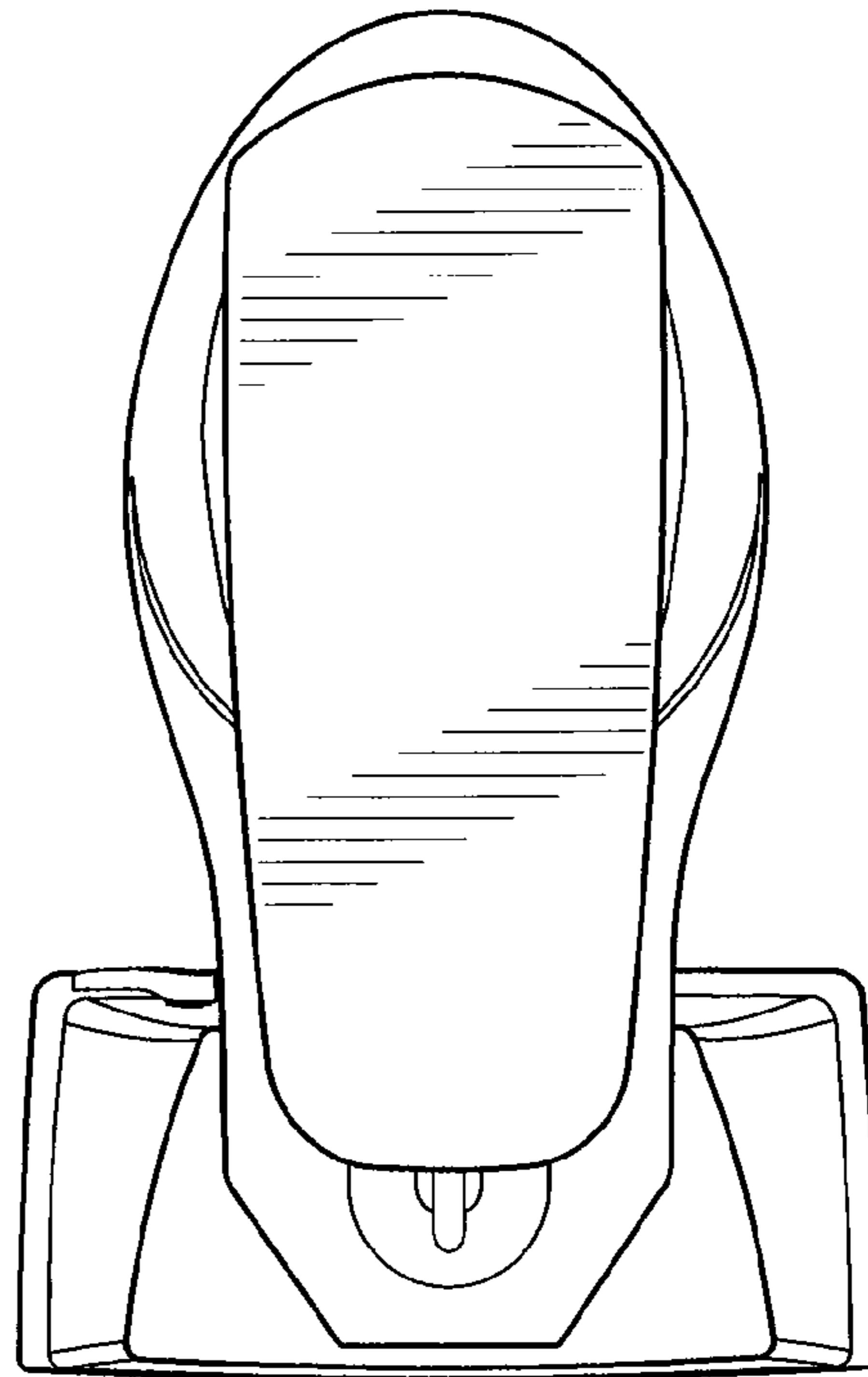


Fig-3

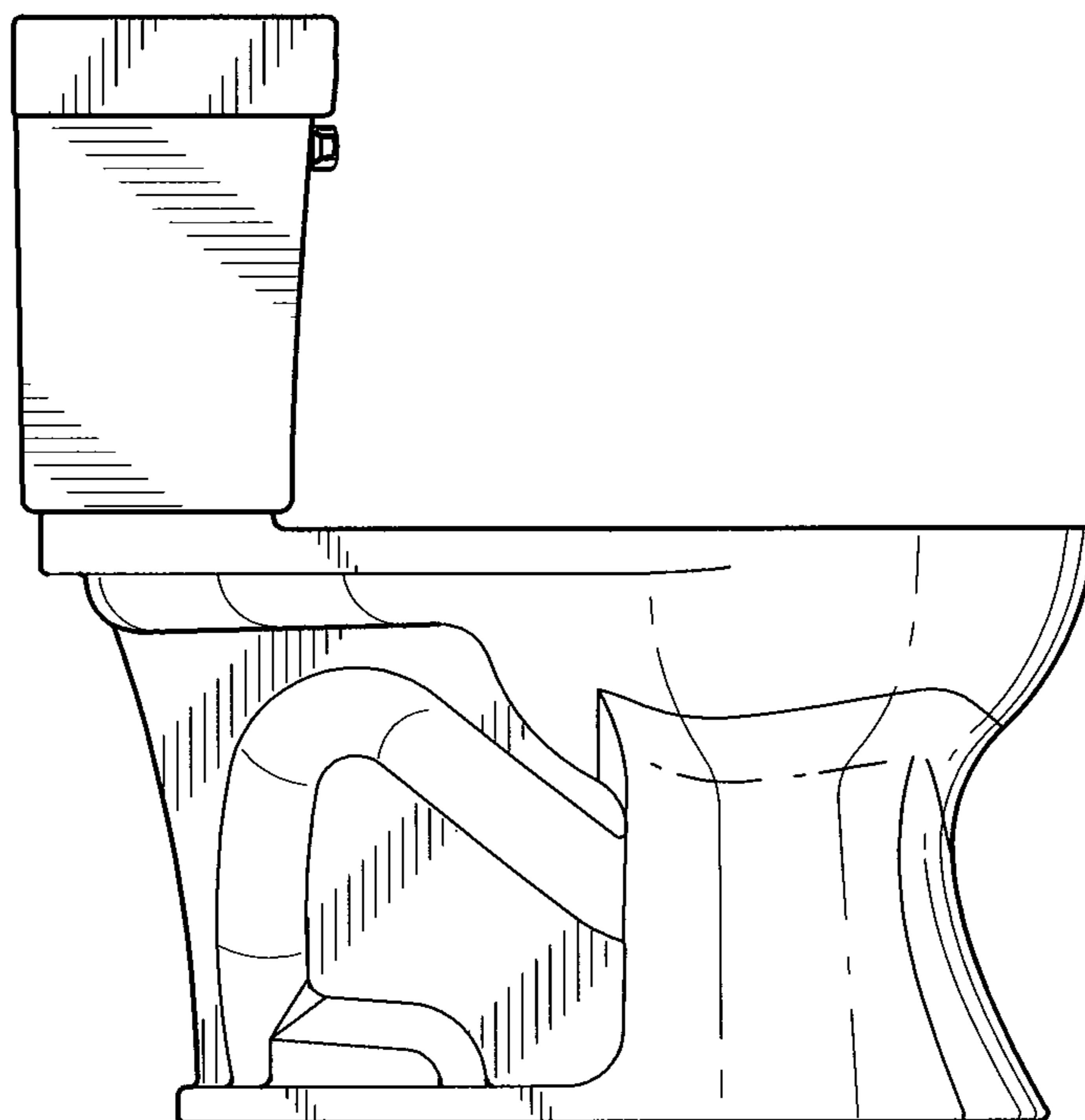


Fig-4

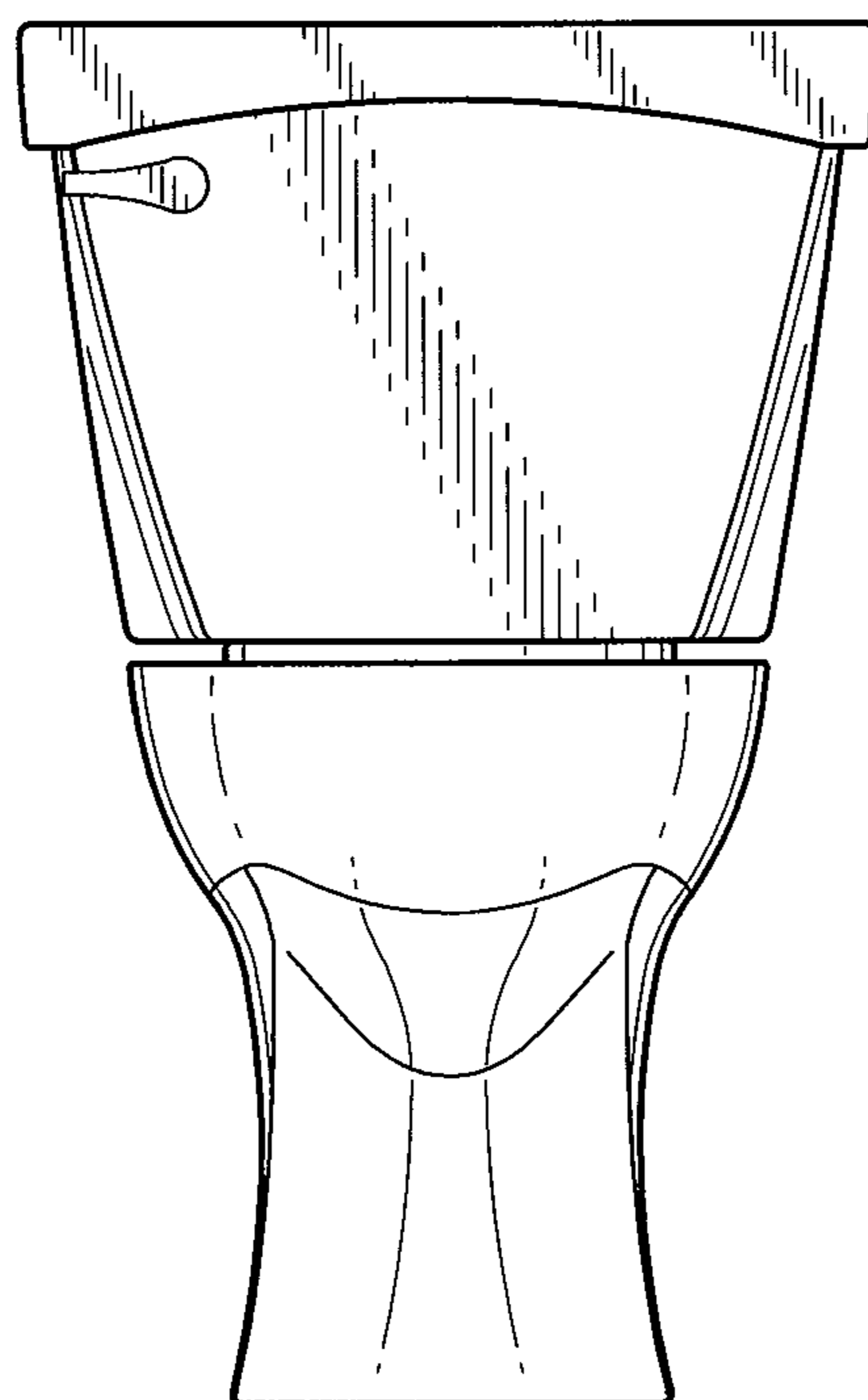


Fig-5

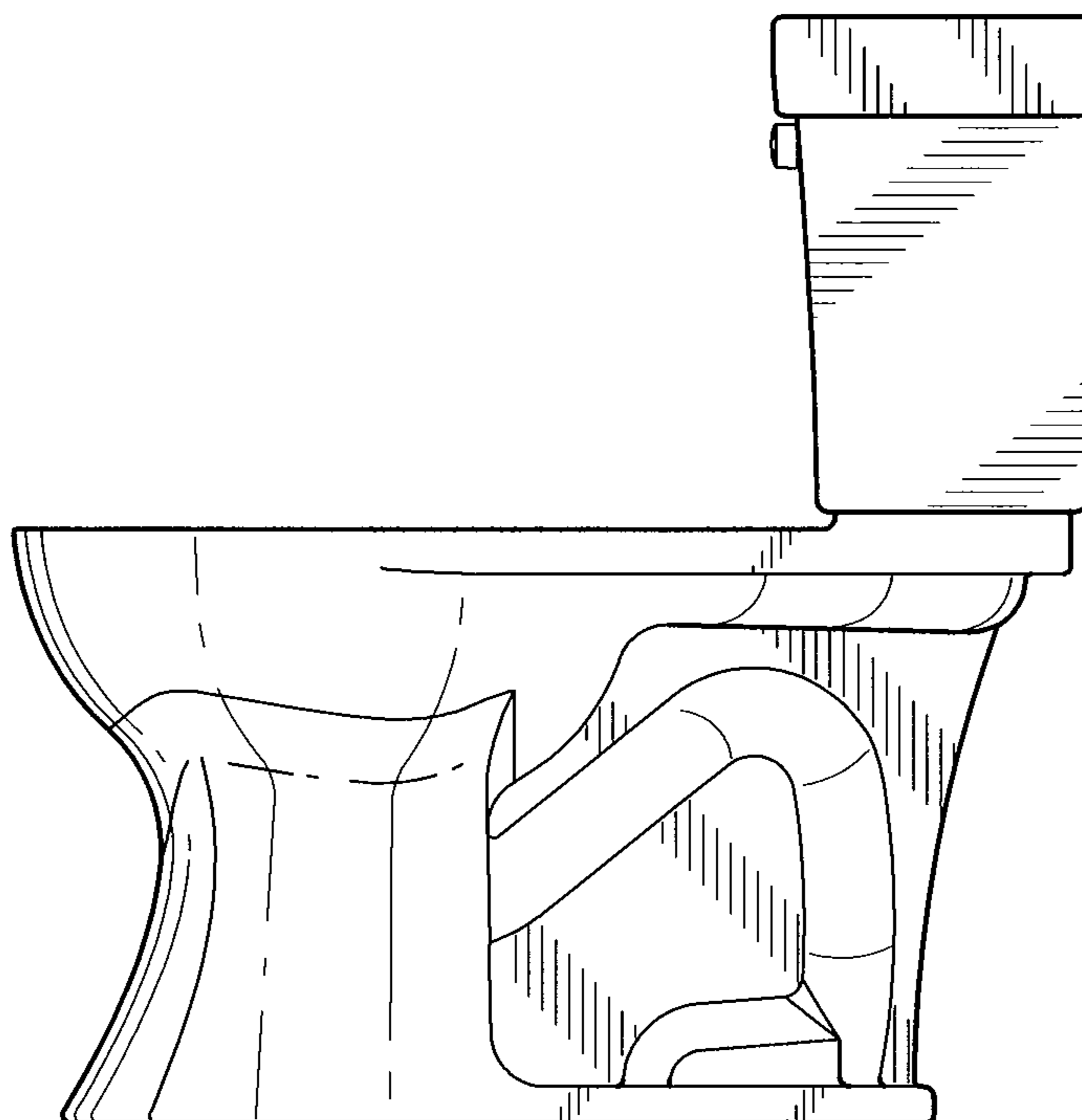


Fig-6

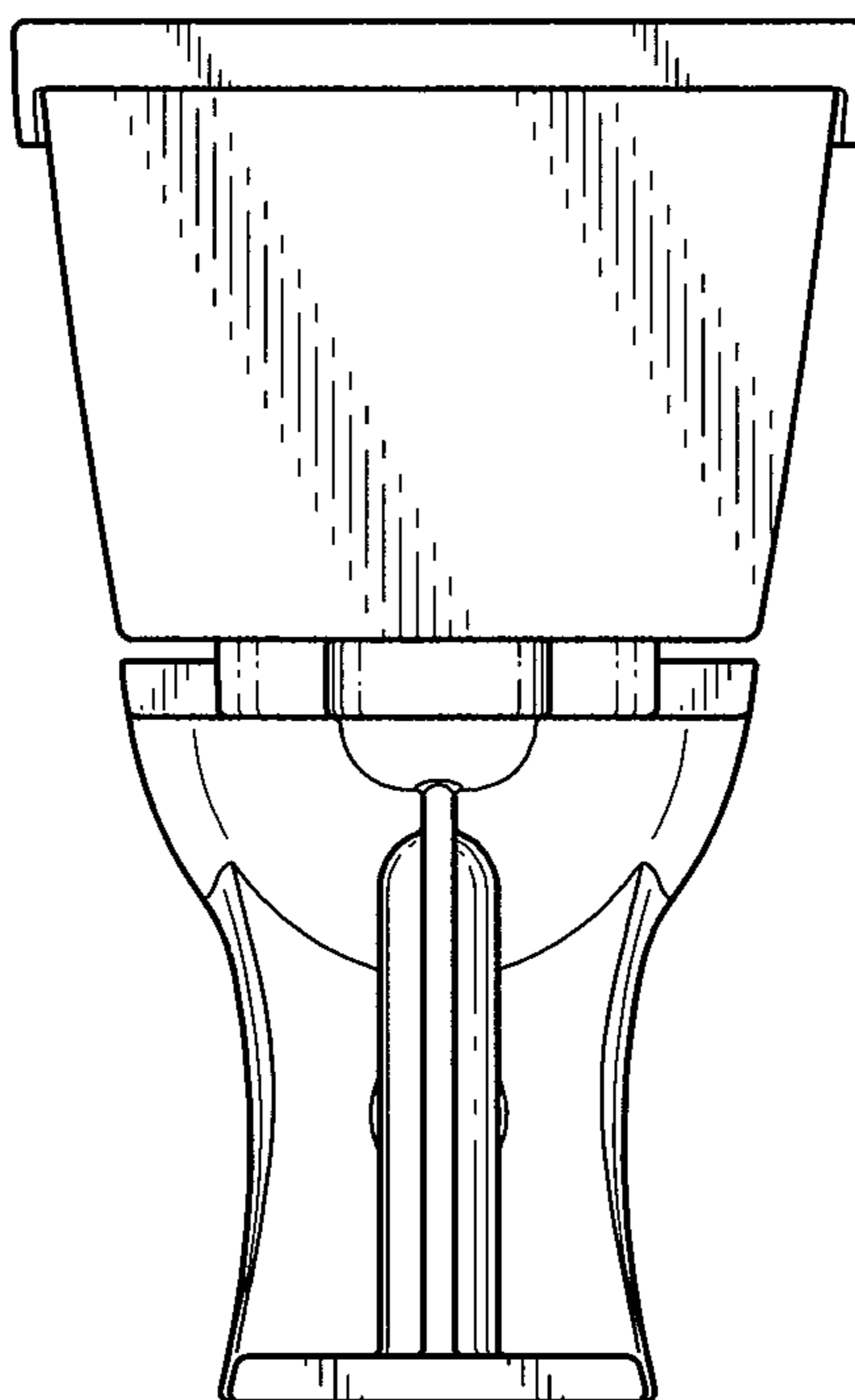


Fig-7