



US00D750761S

(12) **United States Design Patent**
Sethapun et al.

(10) **Patent No.:** **US D750,761 S**
(45) **Date of Patent:** **** Mar. 1, 2016**

- (54) **AIRCRAFT LAVATORY**
- (71) Applicant: **Gulfstream Aerospace Corporation**, Savannah, GA (US)
- (72) Inventors: **Kevin Sethapun**, Savannah, GA (US); **Andrew Fulford**, Northville, MI (US); **Aram Kasparian**, Savannah, GA (US)
- (73) Assignee: **Gulfstream Aerospace Corporation**, Savannah, GA (US)
- (**) Term: **14 Years**
- (21) Appl. No.: **29/506,130**
- (22) Filed: **Oct. 13, 2014**
- (51) **LOC (10) Cl.** **23-02**
- (52) **U.S. Cl.**
USPC **D23/274**
- (58) **Field of Classification Search**
USPC D23/273-274, 295, 299, 300, 309;
D6/335-336, 668.2
CPC B64D 11/02; Y02T 50/46; A47K 4/00
See application file for complete search history.

- D593,643 S * 6/2009 Bock D23/271
- D593,645 S 6/2009 Bock et al.
- D593,647 S 6/2009 Bock et al.
- D613,344 S * 4/2010 Hradisky D21/524
- D624,995 S * 10/2010 Thomas D23/286
- D705,907 S 5/2014 Koyama et al.
- D706,949 S 6/2014 Haluska
- D728,250 S * 5/2015 Thuma D6/336

OTHER PUBLICATIONS

USPTO, Notice of Allowance and Fee(s) Due for U.S. Appl. No. 29/506,222 mailed Mar. 16, 2015.

* cited by examiner

Primary Examiner — Robert Delehanty

(74) *Attorney, Agent, or Firm* — Ingrassia, Fisher & Lorenz PC

(57) **CLAIM**

The ornamental design for an aircraft lavatory, as shown and described.

DESCRIPTION

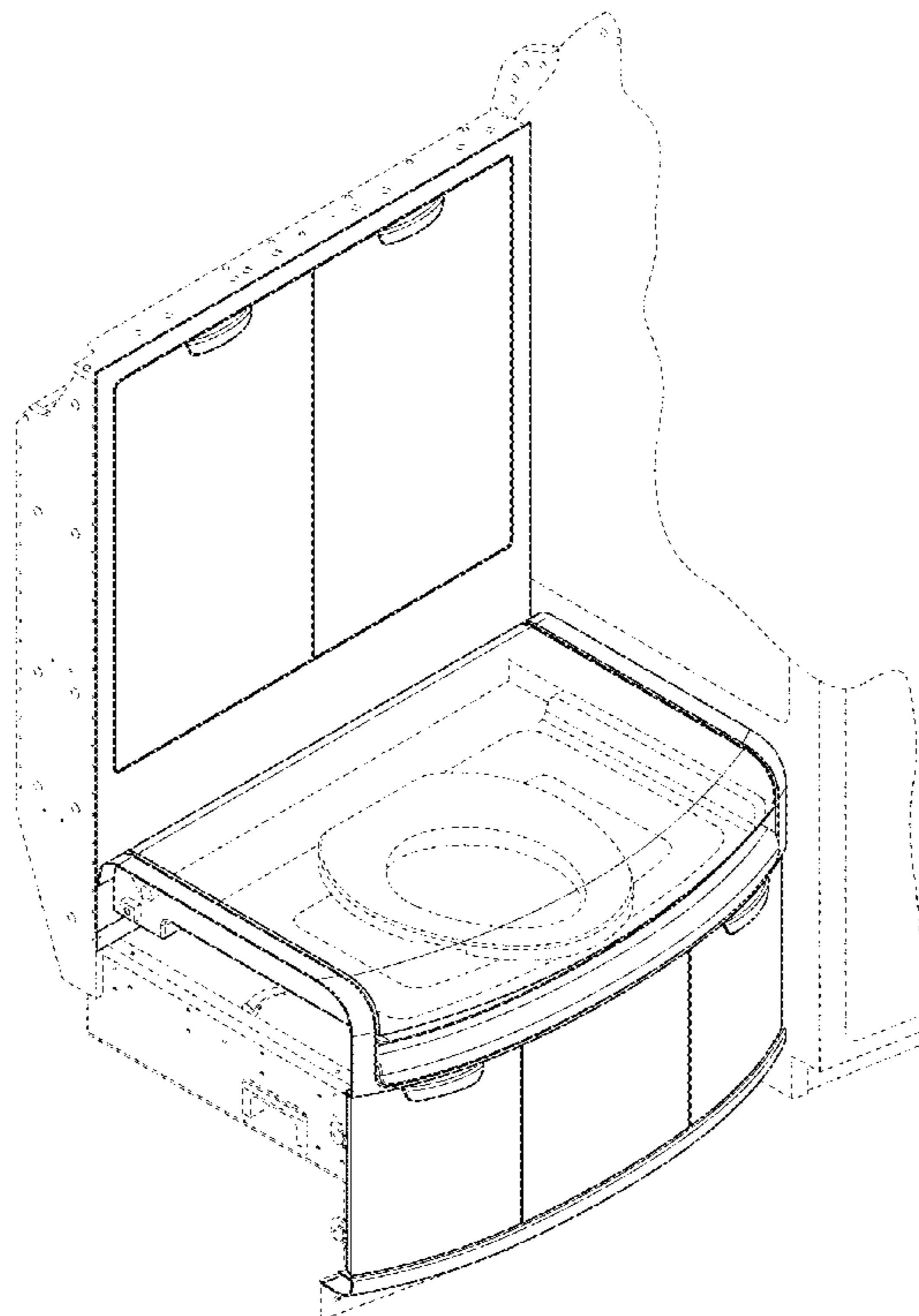
FIG. 1 is a front perspective view of an aircraft lavatory showing our new design;
 FIG. 2 is a front view thereof, the back view forming no part of the claimed design;
 FIG. 3 is a first side view thereof;
 FIG. 4 is a second side view thereof;
 FIG. 5 is a top view thereof; and,
 FIG. 6 is a bottom view thereof.
 The broken lines illustrate structure and environment that form no part of the claimed design.

(56) **References Cited**

U.S. PATENT DOCUMENTS

- 5,150,863 A 9/1992 Hozumi
- D352,096 S 11/1994 Tagg
- 6,643,865 B2 11/2003 Bork et al.
- D533,129 S * 12/2006 Guard D12/345

1 Claim, 6 Drawing Sheets



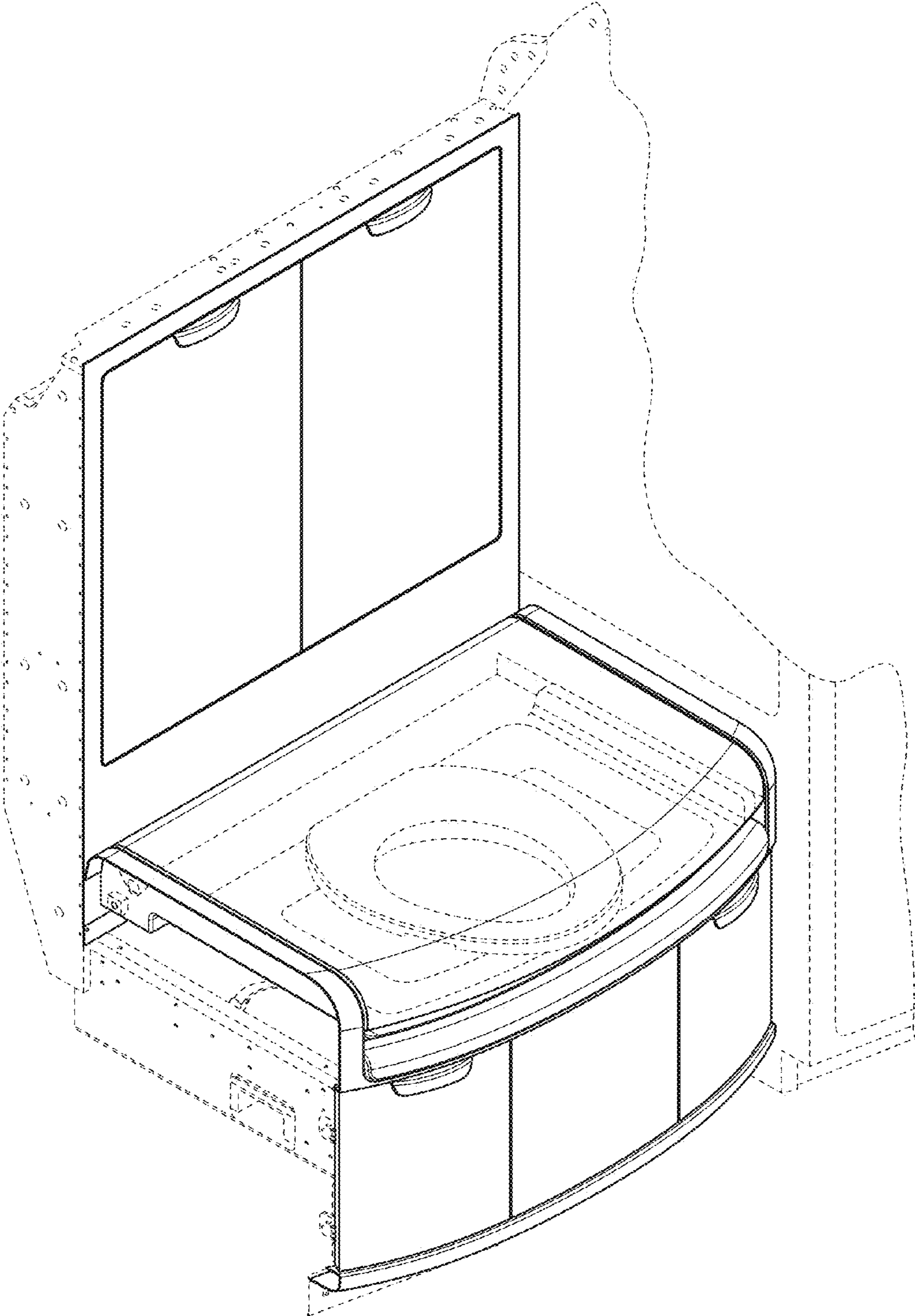


FIG. 1

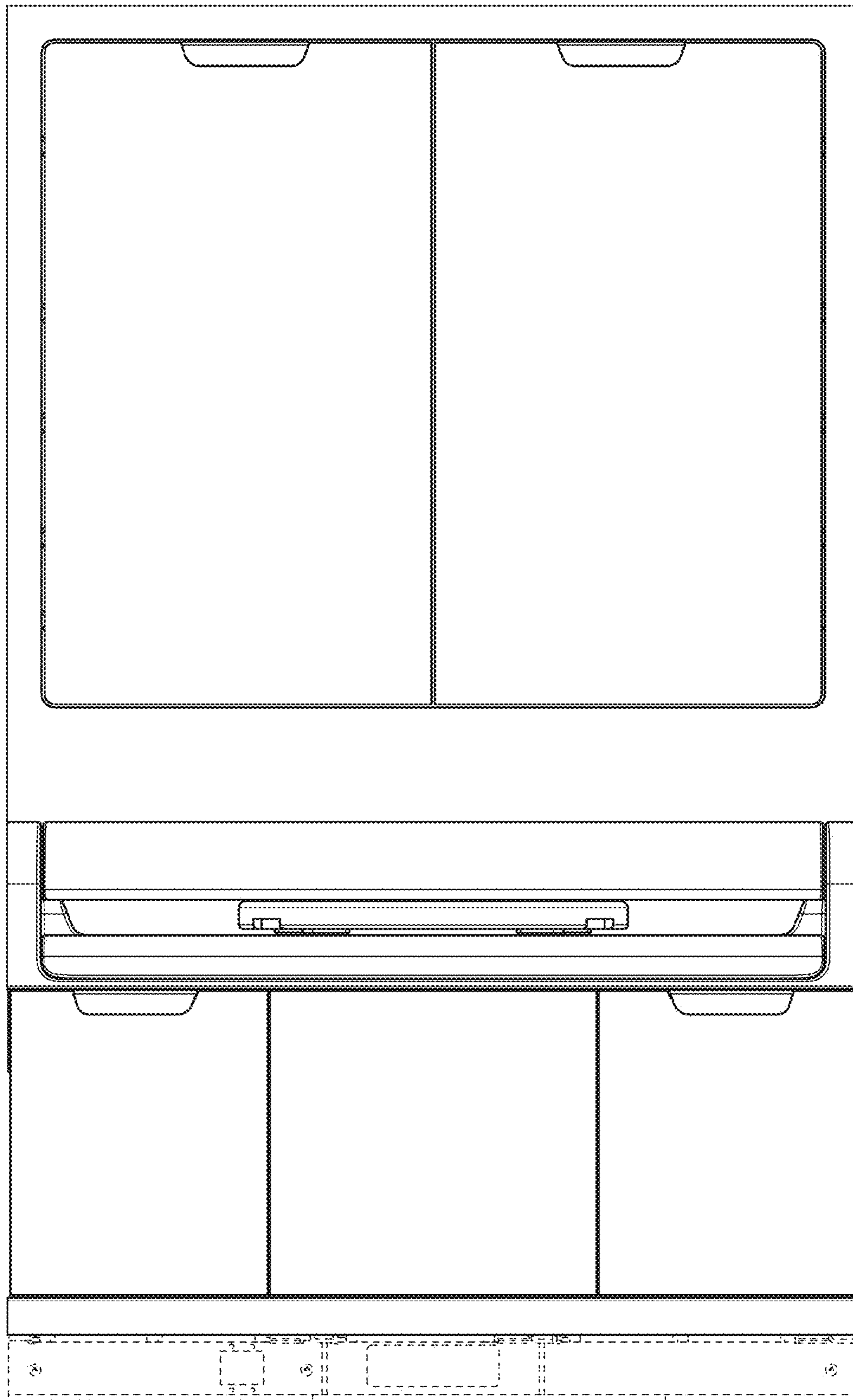


FIG. 2

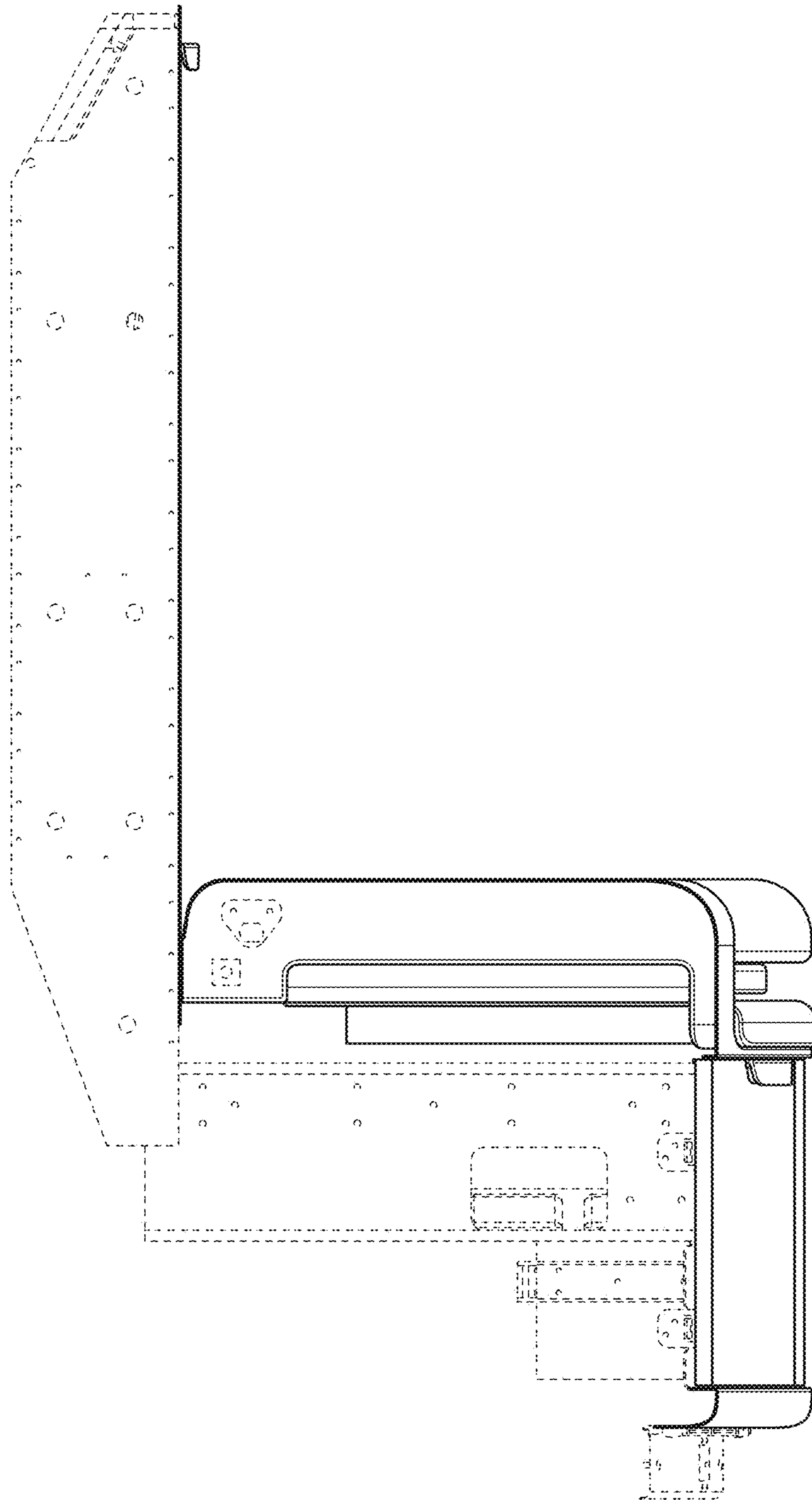


FIG. 3

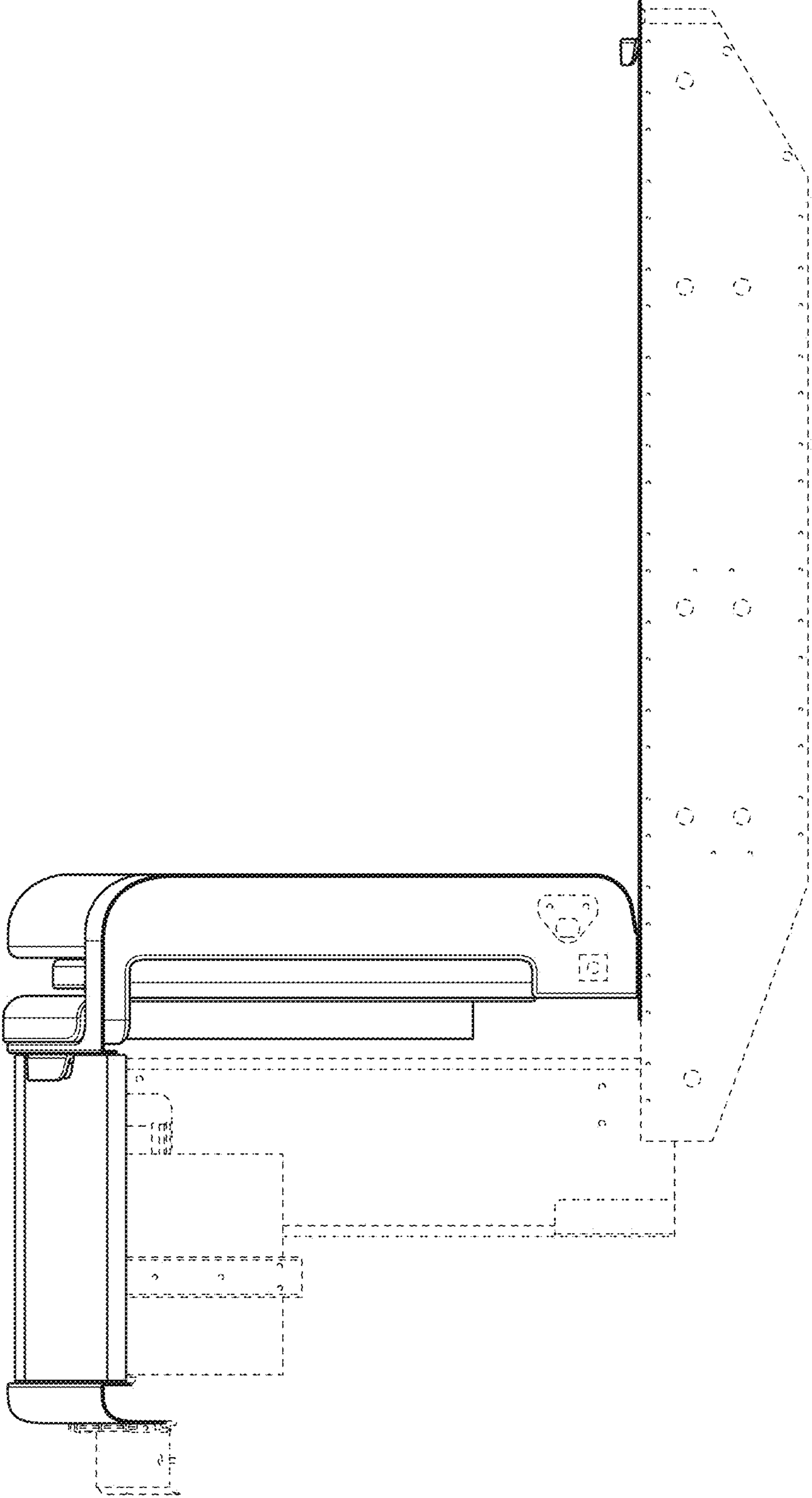


FIG. 4

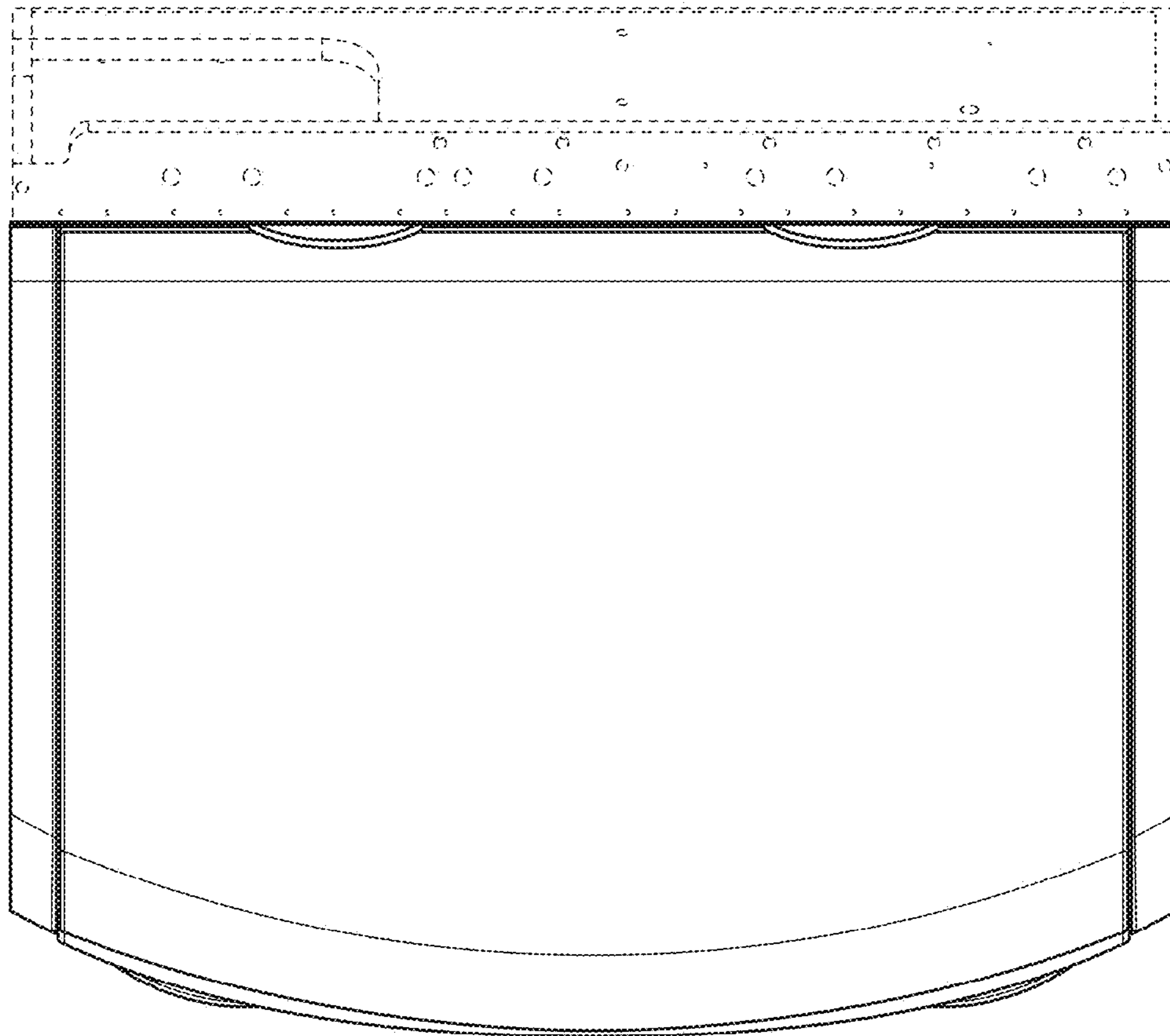


FIG. 5

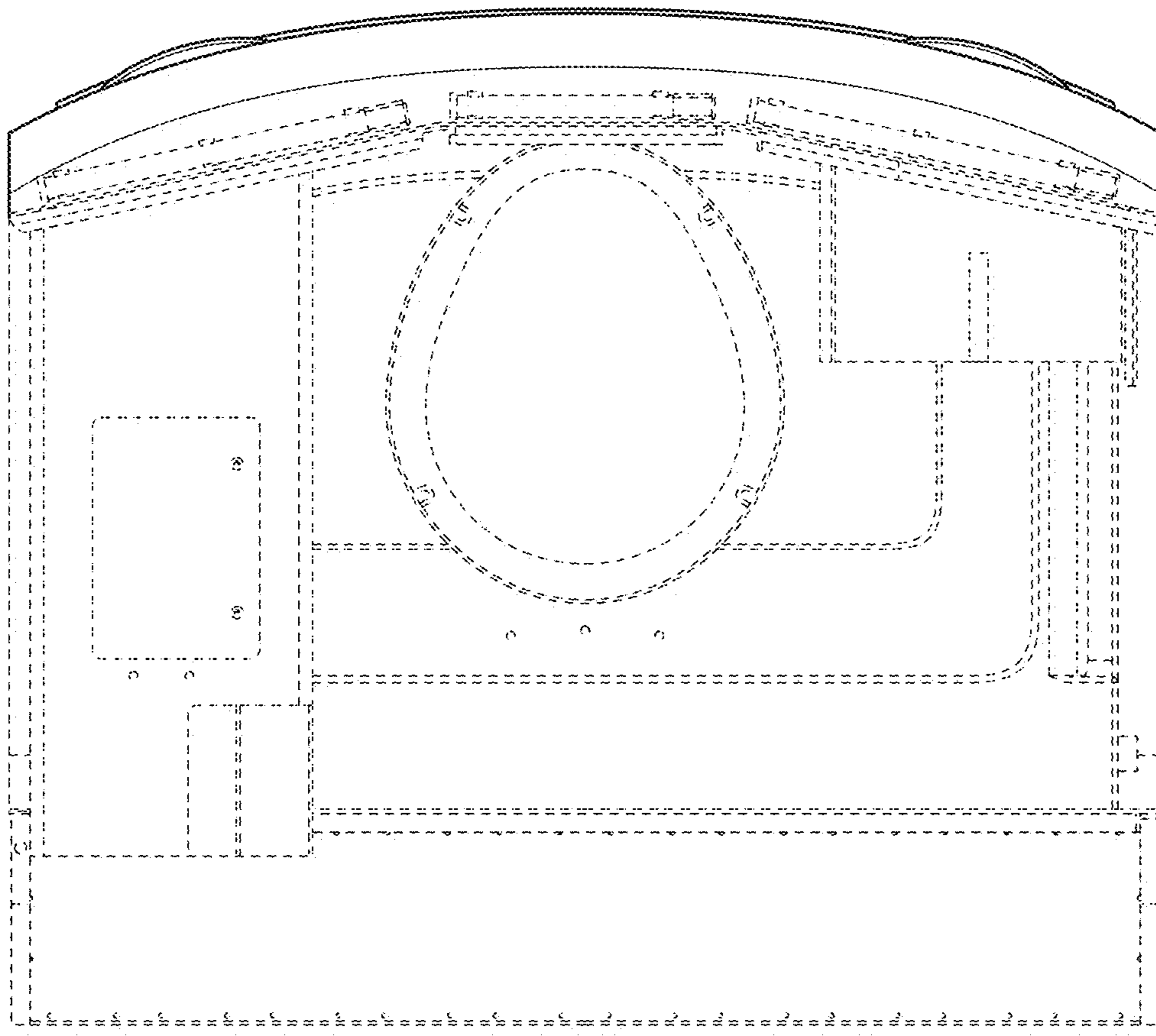


FIG. 6