



US00D750760S

(12) **United States Design Patent**
Roddy et al.

(10) **Patent No.:** **US D750,760 S**
(45) **Date of Patent:** **** Mar. 1, 2016**

- (54) **FENCE PIPE PLUMB LEVEL**
- (71) Applicants: **Kenneth J Roddy**, Garland, TX (US);
Jeffrey H Roddy, Richardson, TX (US)
- (72) Inventors: **Kenneth J Roddy**, Garland, TX (US);
Jeffrey H Roddy, Richardson, TX (US)
- (**) Term: **15 Years**
- (21) Appl. No.: **29/528,702**
- (22) Filed: **May 30, 2015**

Related U.S. Application Data

- (63) Continuation-in-part of application No. 29/513,648, filed on Jan. 4, 2015, now Pat. No. Des. 740,400, which is a continuation-in-part of application No. 29/484,893, filed on Mar. 13, 2014, now Pat. No. Des. 728,751.
- (51) **LOC (10) Cl.** **23-01**
- (52) **U.S. Cl.**
USPC **D23/262**
- (58) **Field of Classification Search**
USPC D23/259, 260, 262, 265, 266
CPC F16L 2201/00; F16L 2201/10; F16L 2201/60; F16L 55/00; F16L 55/168; H02G 3/32

See application file for complete search history.

(56) **References Cited**

U.S. PATENT DOCUMENTS

- 1,704,760 A * 3/1929 Parker F16L 55/1683
138/99
- 2,408,253 A * 9/1946 Diebold H02G 7/00
138/110
- 2,850,045 A * 9/1958 Soehnlen F16L 55/1683
138/92
- D189,229 S * 11/1960 Bowne et al. D23/265
- 3,385,545 A * 5/1968 Patton F16L 3/222
248/228.5
- 3,649,055 A * 3/1972 Nilsen F16L 47/02
138/99

- 3,963,140 A * 6/1976 Harding B65D 41/44
215/254
- 4,139,883 A * 2/1979 Ilzig F16C 11/04
248/278.1
- 4,244,542 A * 1/1981 Mathews F16L 3/222
138/112
- D270,140 S * 8/1983 Berglund D9/438
- 4,407,472 A * 10/1983 Beck A62C 33/04
24/339
- 5,020,572 A * 6/1991 Hunt B23P 6/04
138/97
- D372,074 S * 7/1996 Wallace D23/269
- 5,660,417 A * 8/1997 Reeves G01L 5/24
116/201
- D409,293 S * 5/1999 Senninger D23/265
- D468,002 S * 12/2002 Steffan D23/249
- D714,917 S * 10/2014 Miller D23/269
- 2006/0048418 A1 * 3/2006 Boire G09F 3/205
40/316
- 2007/0034758 A1 * 2/2007 Bates E04H 12/2276
248/218.4
- 2012/0111280 A1 * 5/2012 Shin A01K 7/025
119/78
- 2013/0032130 A1 * 2/2013 Jacques A47J 33/00
126/30
- 2013/0152291 A1 * 6/2013 Stonecipher E03D 11/16
4/252.1
- 2014/0007438 A1 * 1/2014 Silberberg G01C 9/26
33/371

* cited by examiner

Primary Examiner — Eric Goodman
Assistant Examiner — Daniel J Domino
(74) *Attorney, Agent, or Firm* — Jeffrey Roddy

(57) **CLAIM**

The ornamental design for the fence pipe plumb level, as shown and described.

DESCRIPTION

FIG. 1 is a top perspective view of a fence pipe plumb level showing a first embodiment;
FIG. 2 is a bottom perspective view thereof;
FIG. 3 is a side elevation view thereof;
FIG. 4 is a top plan view thereof;
FIG. 5 is a bottom plan view thereof;
FIG. 6 is an end view thereof;

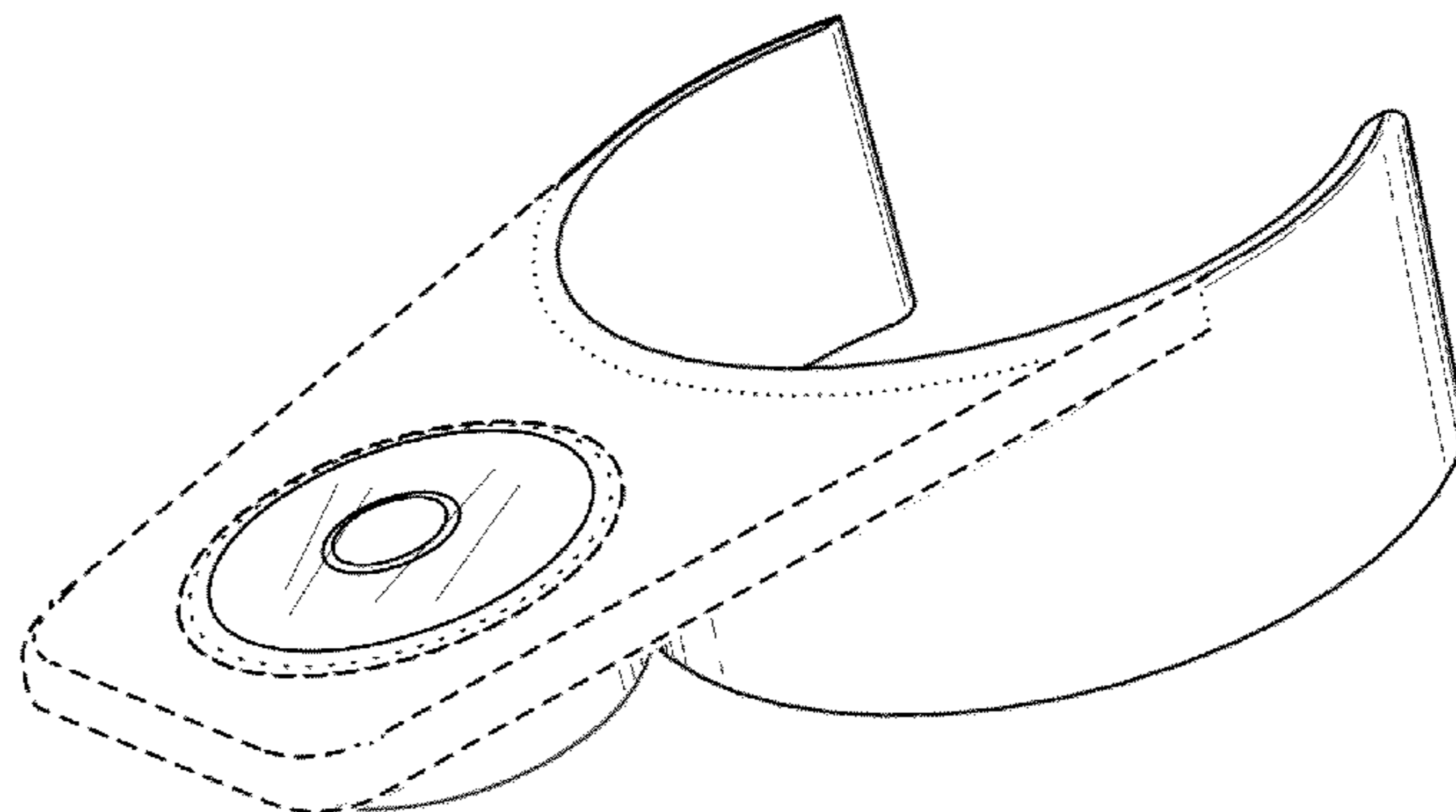


FIG. 7 is an end view from the opposite side of that shown in FIG. 6;
FIG. 8 is a top perspective view of a second embodiment;
FIG. 9 is a perspective view from the opposite side of that shown in FIG. 8;
FIG. 10 is a bottom plan view thereof;
FIG. 11 is a side elevation view thereof;
FIG. 12 is a top plan view thereof;
FIG. 13 is an end view thereof;
FIG. 14 is an end view from the opposite side of that shown in FIG. 13;
FIG. 15 is a bottom perspective view of the first embodiment showing alternate environment;
FIG. 16 is a top perspective view thereof;
FIG. 17 is a side elevation view thereof;
FIG. 18 is a top plan view thereof;
FIG. 19 is a bottom plan view thereof;
FIG. 20 is an end view thereof;
FIG. 21 is an end view from the opposite side of that shown in FIG. 20;
FIG. 22 is a perspective view of the second embodiment showing alternate environment;
FIG. 23 is an alternate perspective view thereof;
FIG. 24 is a side elevation view thereof;
FIG. 25 is a top plan view thereof;
FIG. 26 is a bottom plan view thereof;
FIG. 27 is an end view thereof;
FIG. 28 is an end view from the opposite side of that shown in FIG. 27;
FIG. 29 is a perspective view of the first embodiment showing alternate environment;
FIG. 30 is an alternate perspective view thereof;
FIG. 31 is a side elevation view thereof;
FIG. 32 is a top plan view thereof;
FIG. 33 is a bottom plan view thereof;

FIG. 34 is an end view thereof;
FIG. 35 is an end view from the opposite side of that shown in FIG. 34;
FIG. 36 is a perspective view of the second embodiment showing alternate environment;
FIG. 37 is an alternate perspective view thereof;
FIG. 38 is a side elevation view thereof;
FIG. 39 is a top plan view thereof;
FIG. 40 is a bottom plan view thereof;
FIG. 41 is an end view thereof;
FIG. 42 is an end view from the opposite side of that shown in FIG. 41;
FIG. 43 is a top plan view of the second embodiment showing alternate environment;
FIG. 44 is a side elevation view thereof;
FIG. 45 is a bottom plan view thereof;
FIG. 46 is an end view thereof;
FIG. 47 is an end view from the opposite side of that shown in FIG. 46;
FIG. 48 is a top plan view of the first embodiment showing alternate environment;
FIG. 49 is a side elevation view thereof;
FIG. 50 is a bottom plan view thereof;
FIG. 51 is an end view thereof; and,
FIG. 52 is an end view from the opposite side of that shown in FIG. 51.
The broken line showing of portions and features is included for the purpose of illustrating unclaimed subject matter and forms no part of the claimed design. The dotted lines represents the border between the claimed subject matter and unclaimed environmental subject matter, and form no part of the claimed design. Regions between the dotted line and broken line showing are unclaimed.

1 Claim, 22 Drawing Sheets

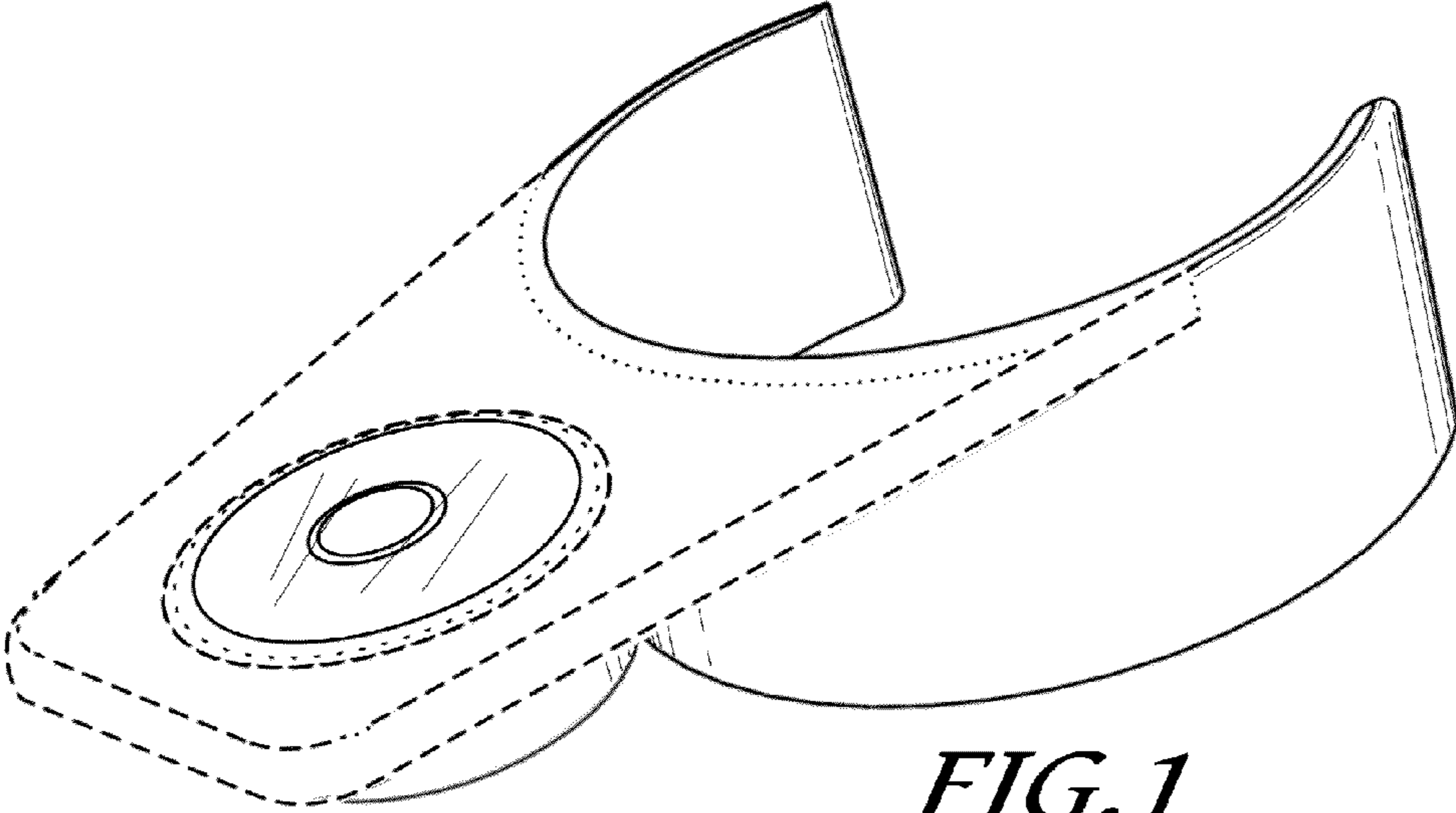


FIG. 1

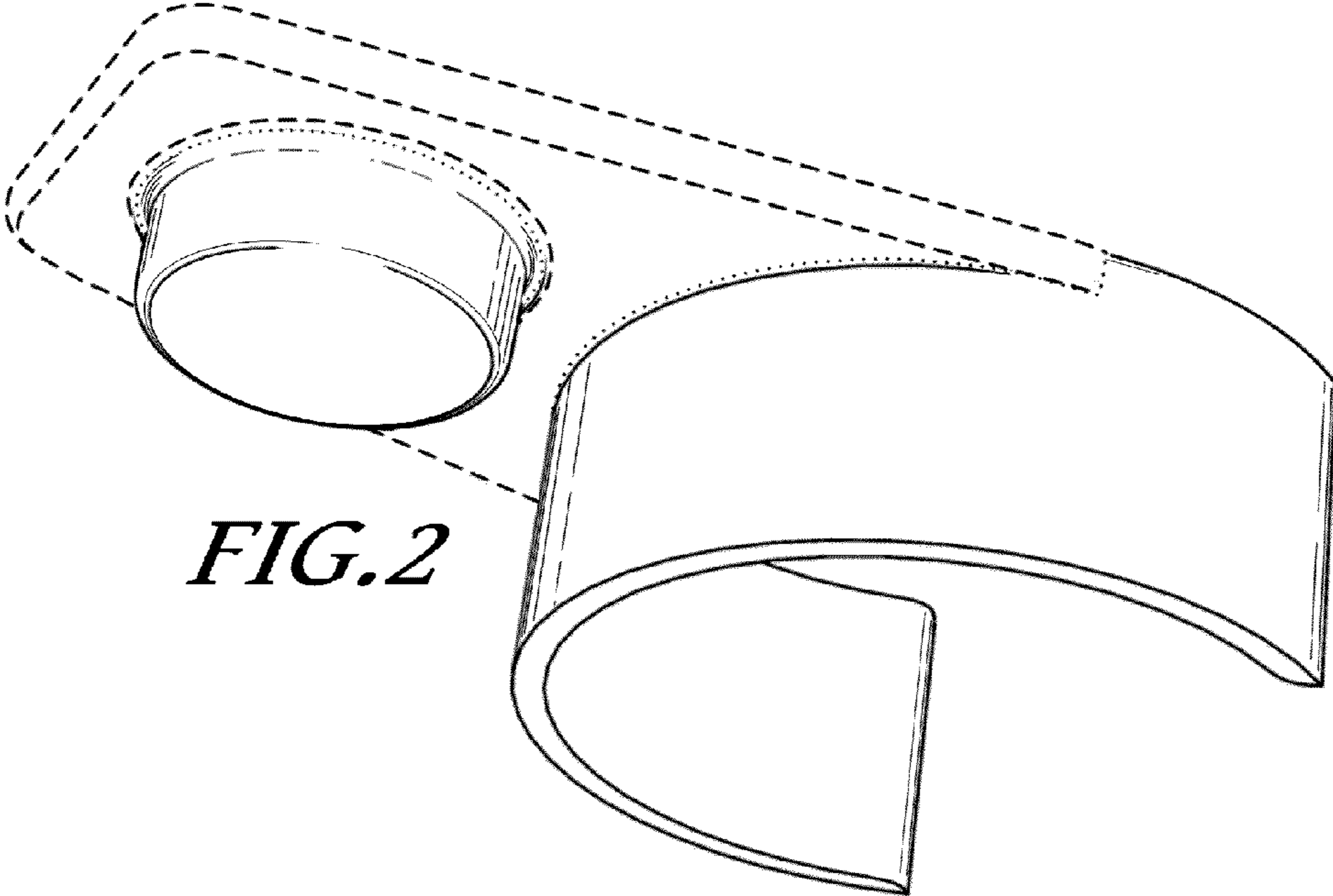


FIG. 2

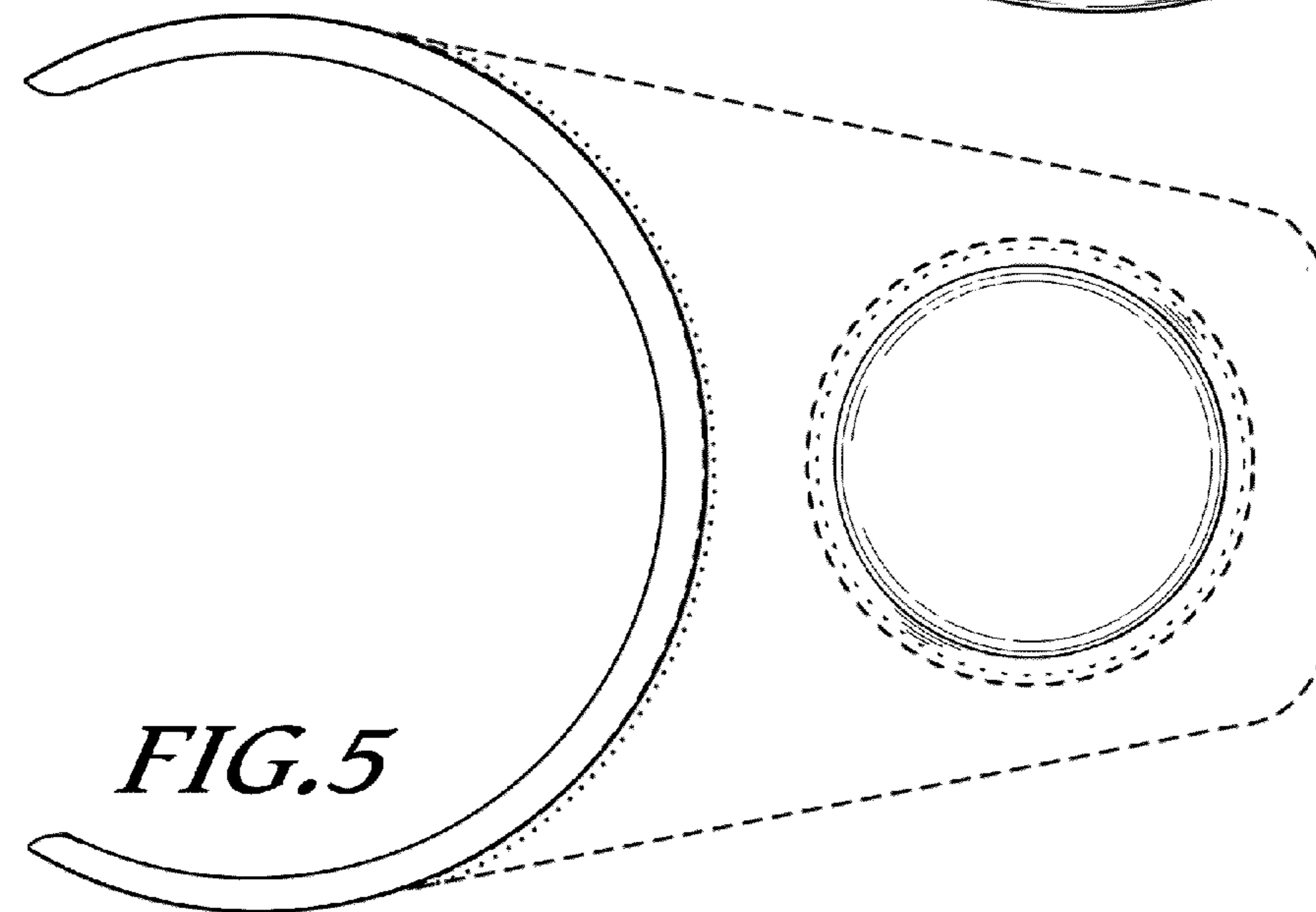
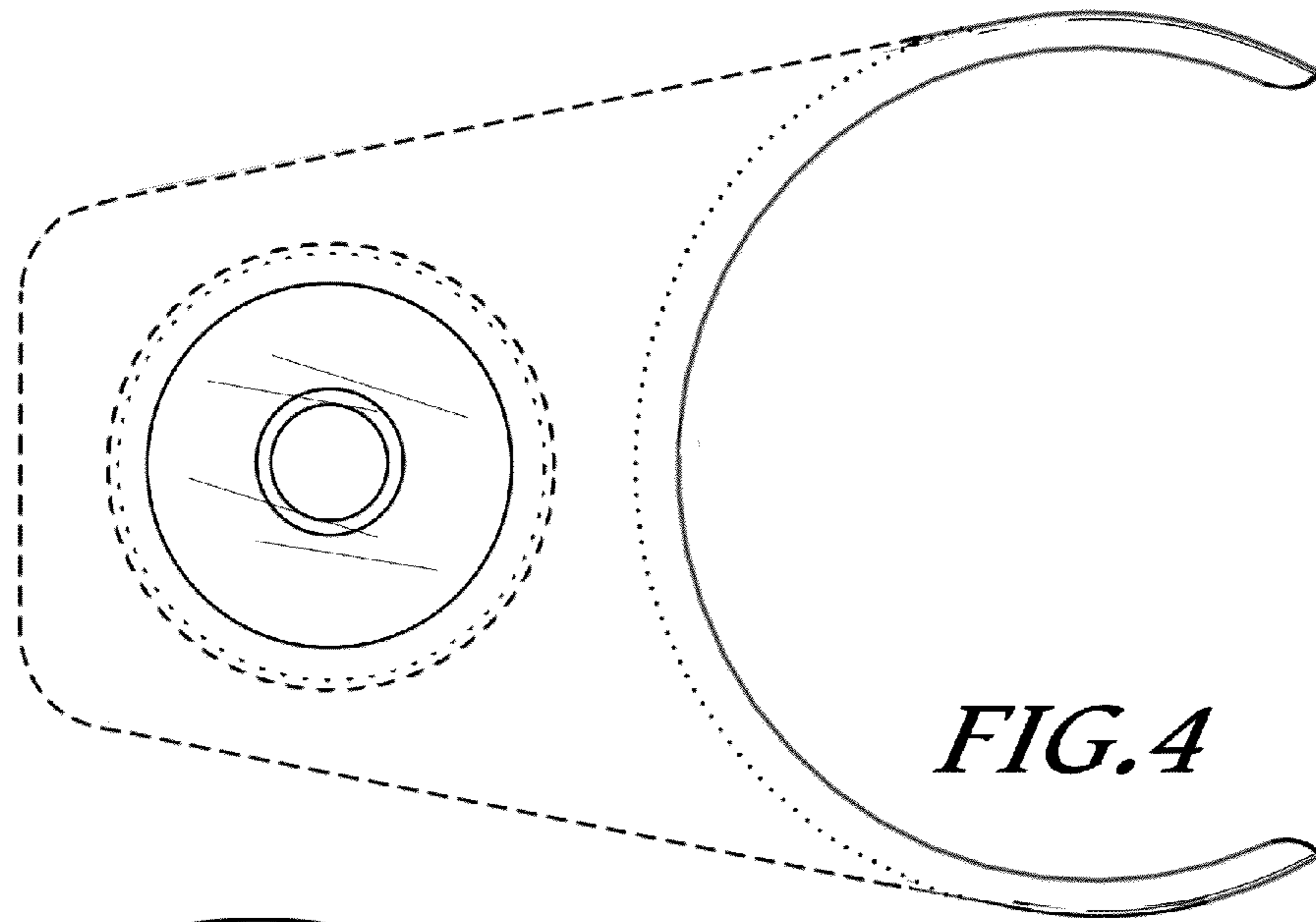
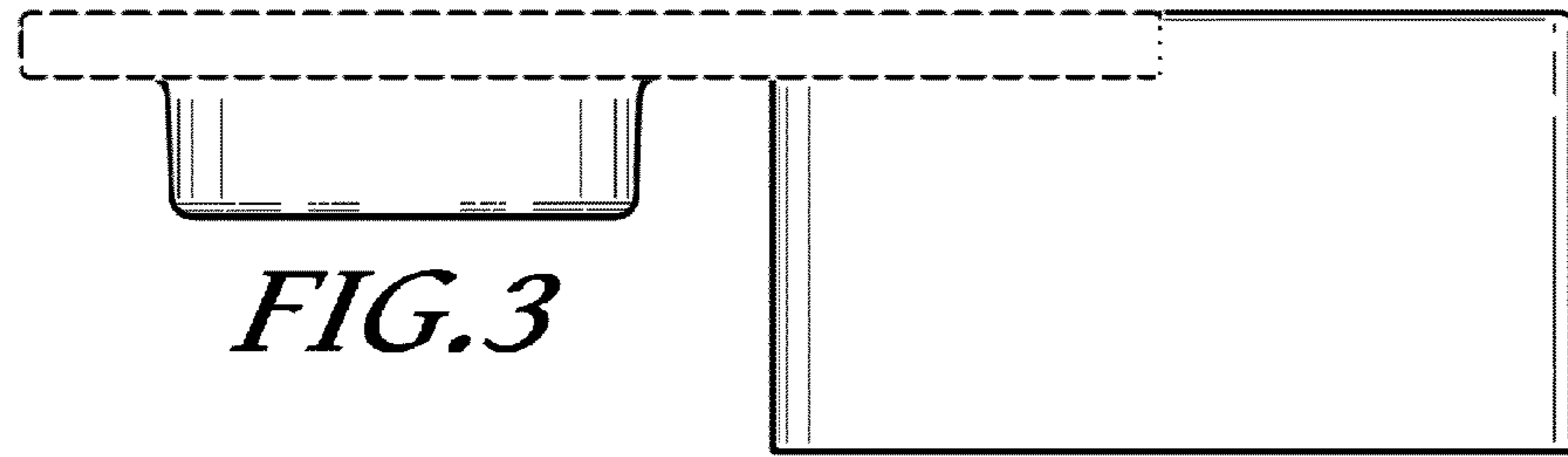


FIG. 6

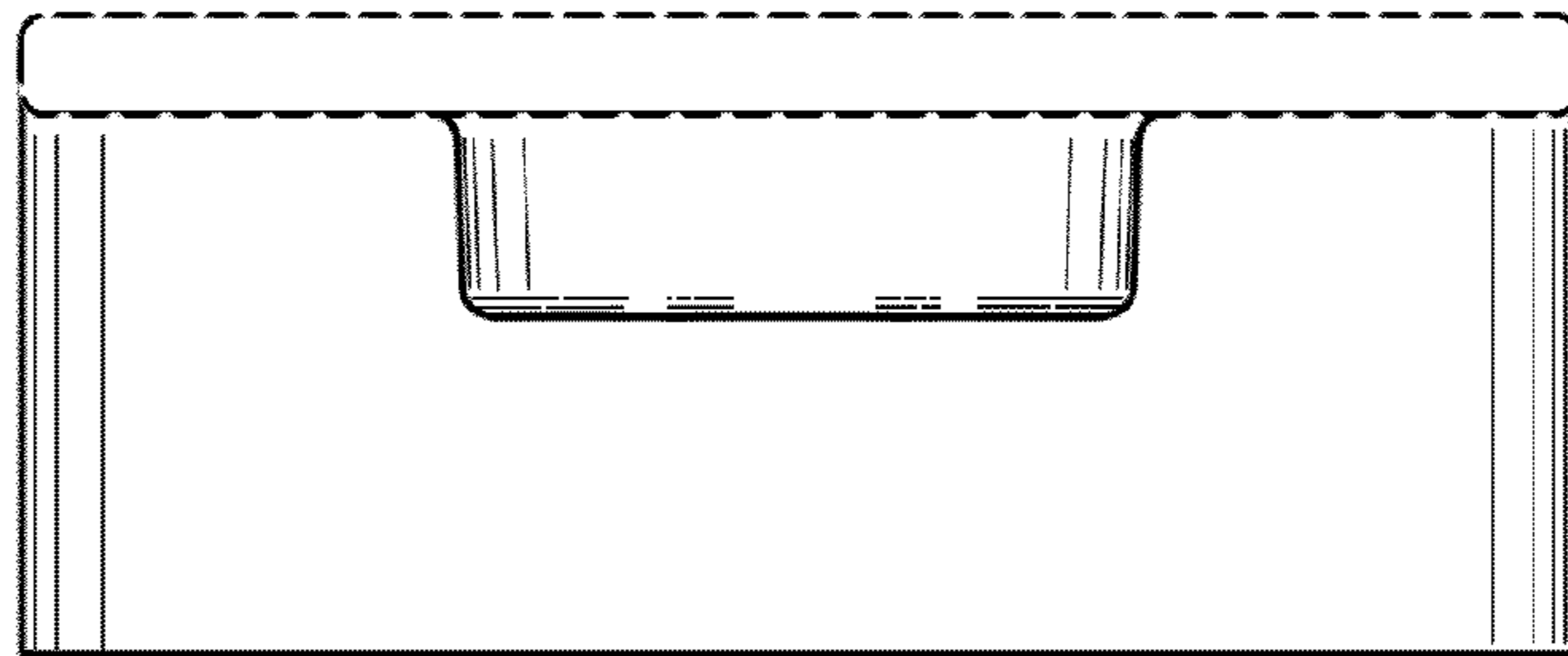
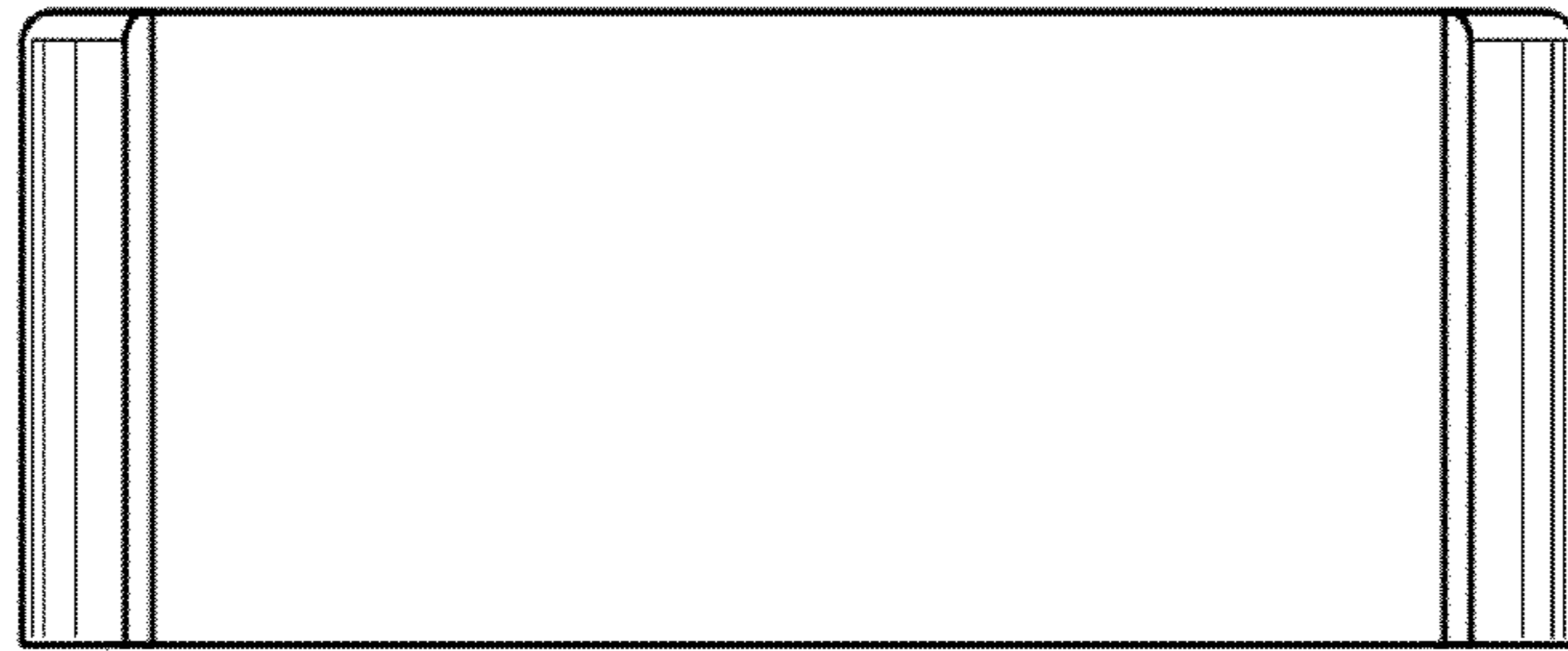
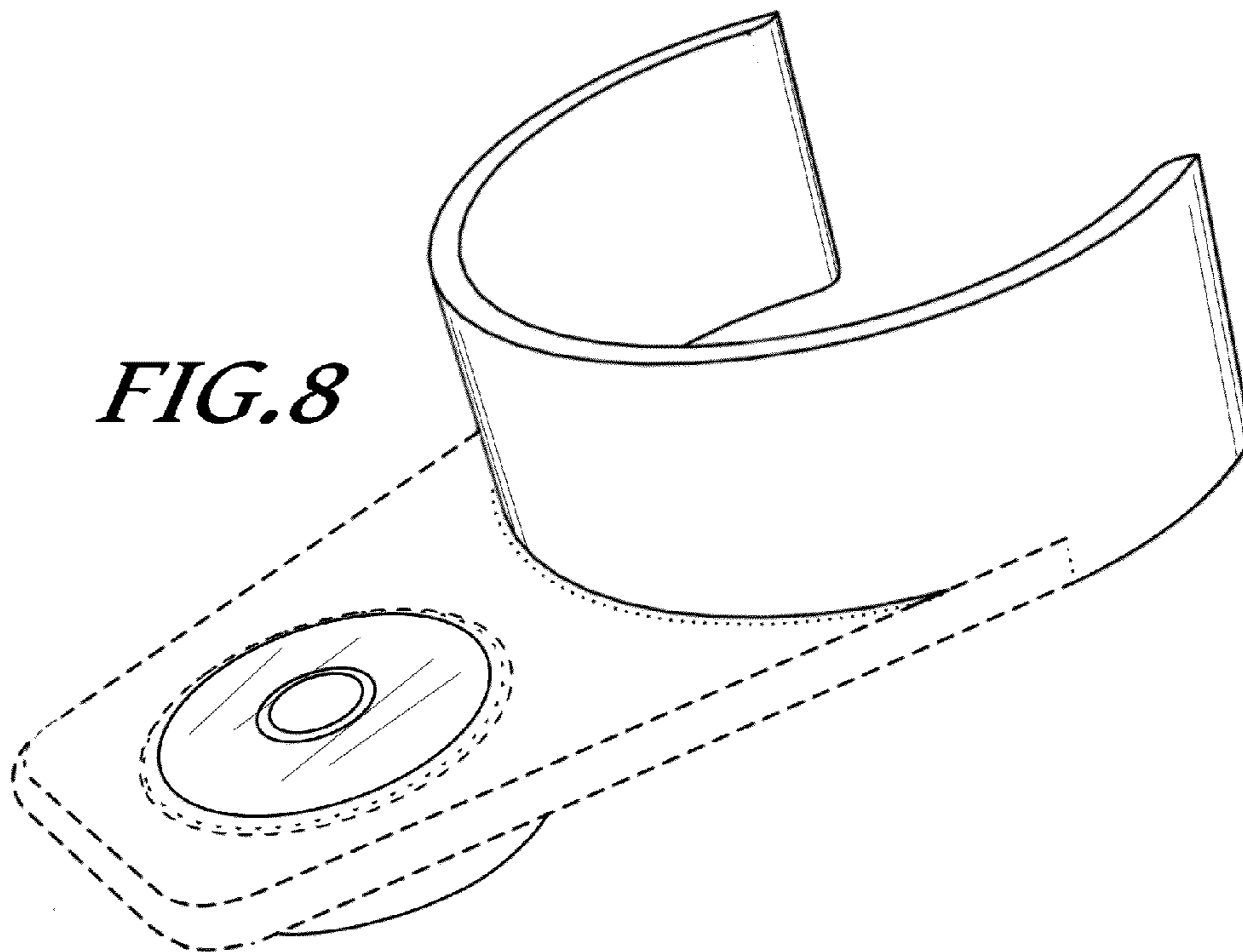
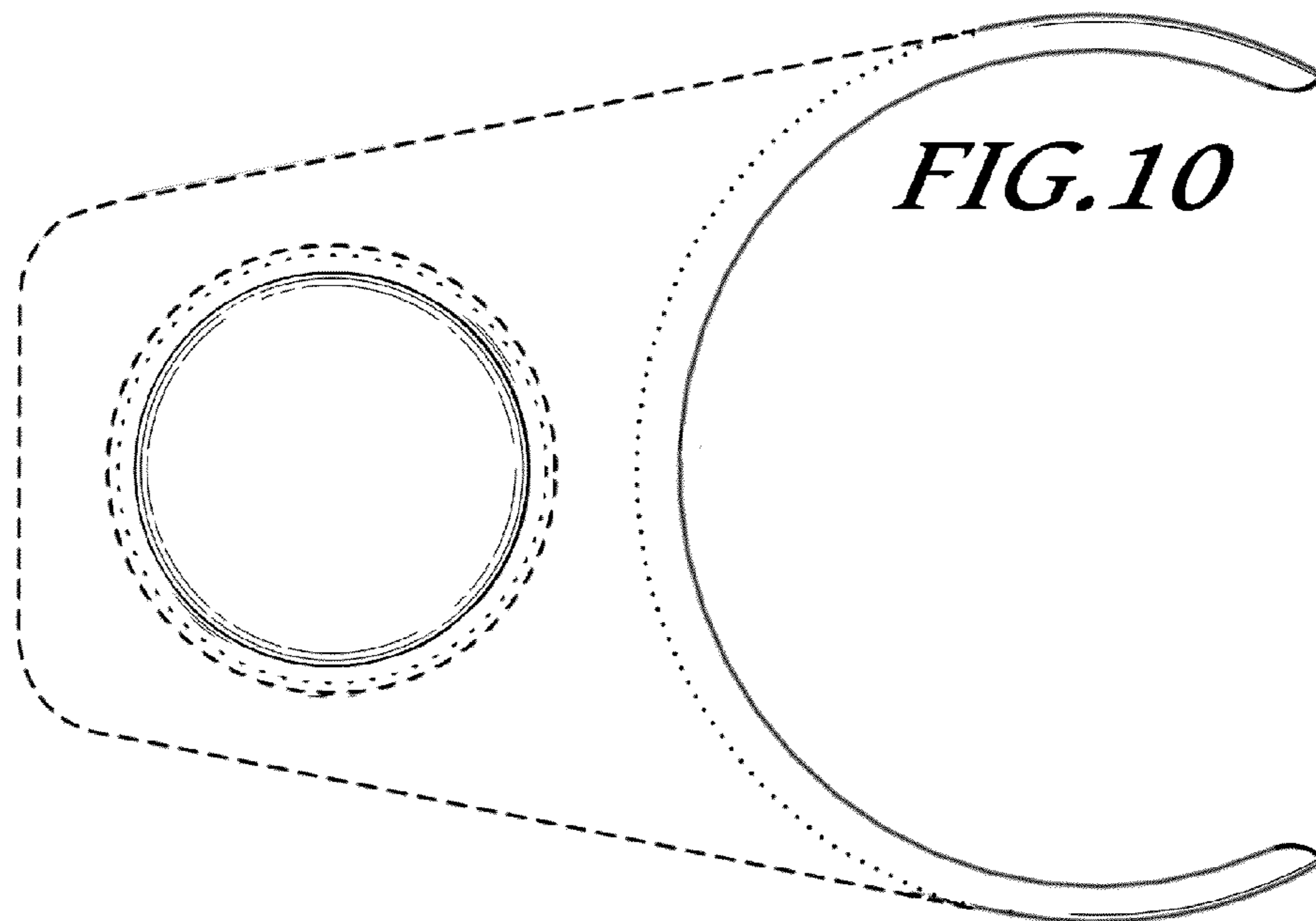
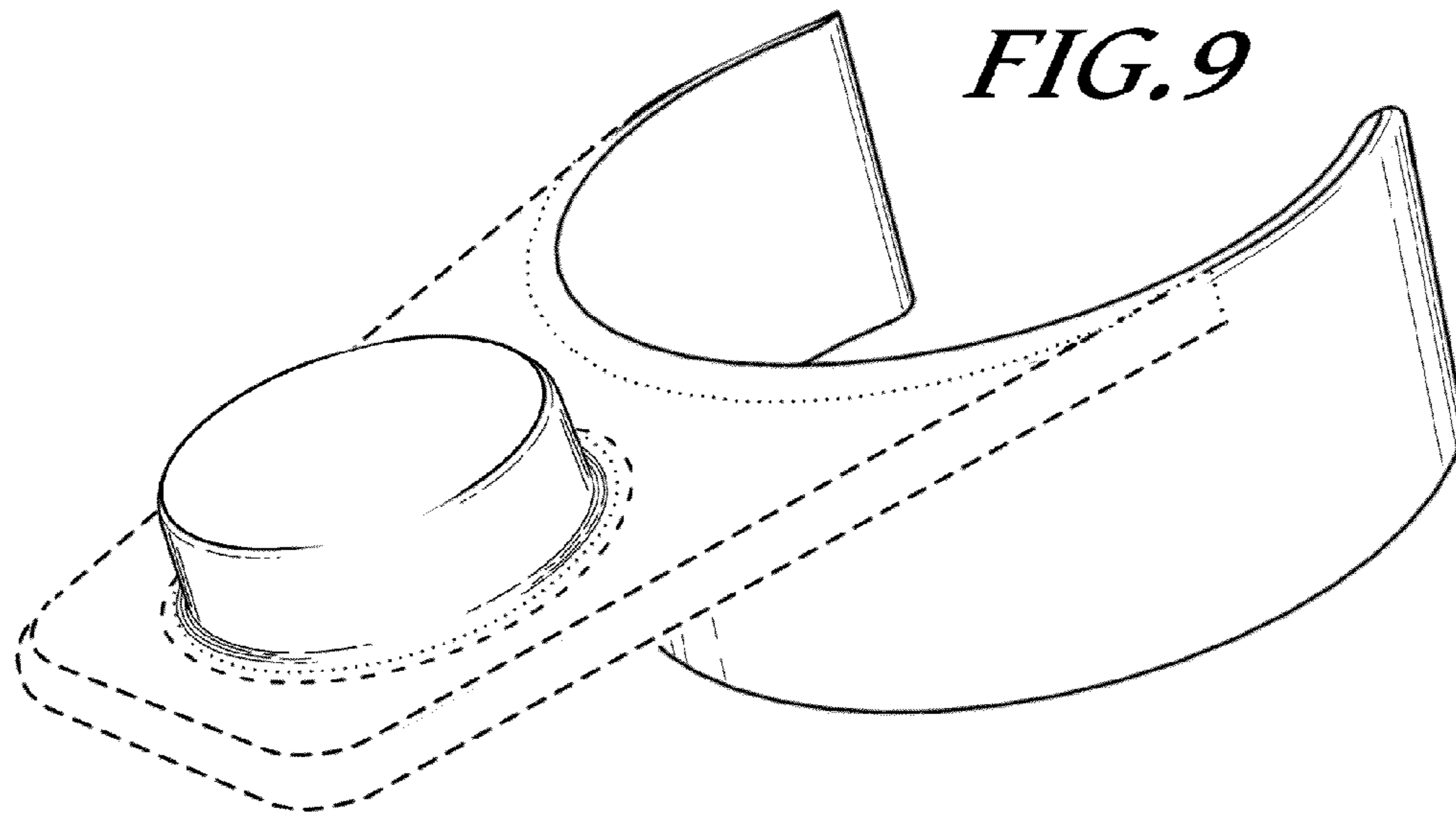
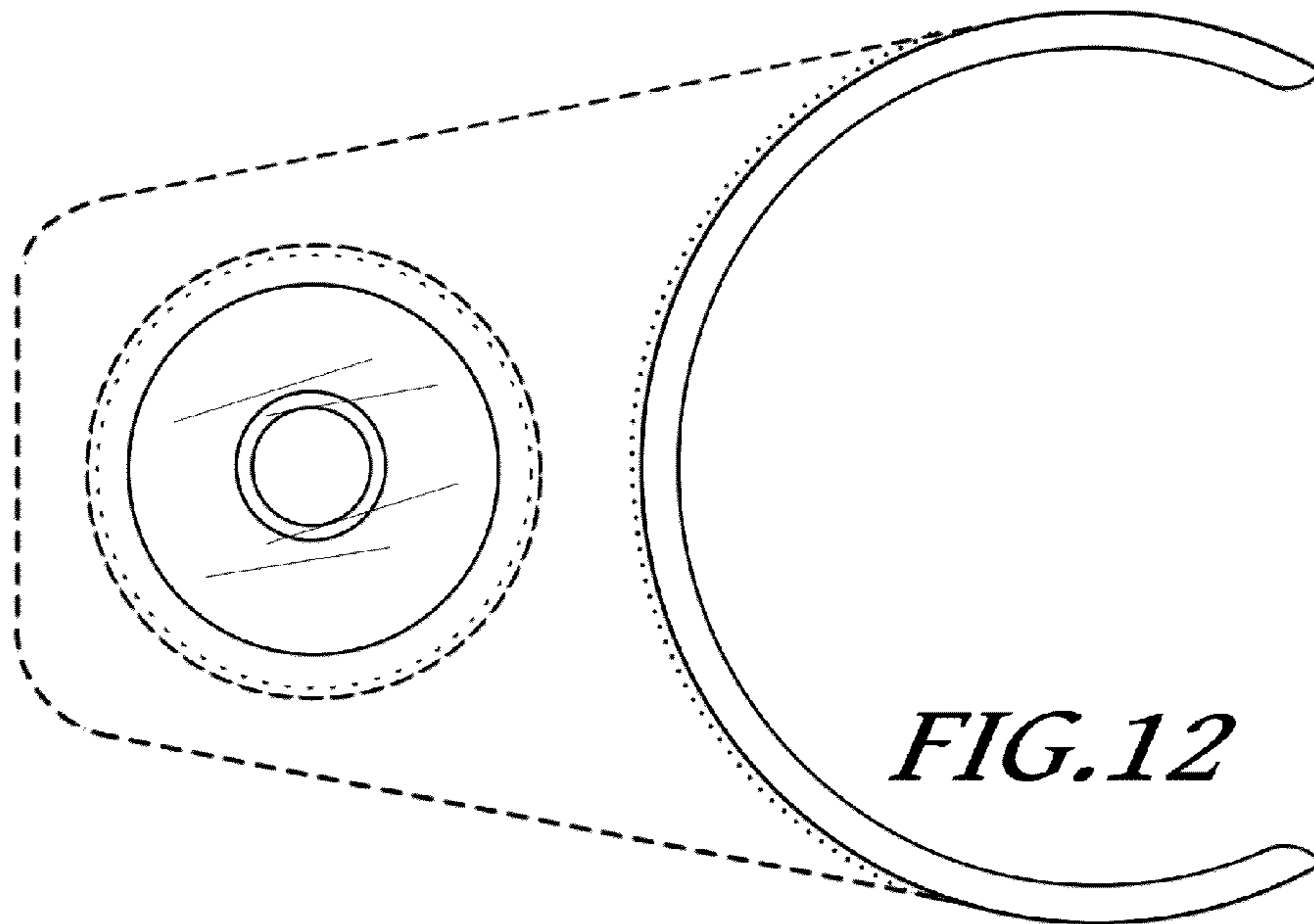
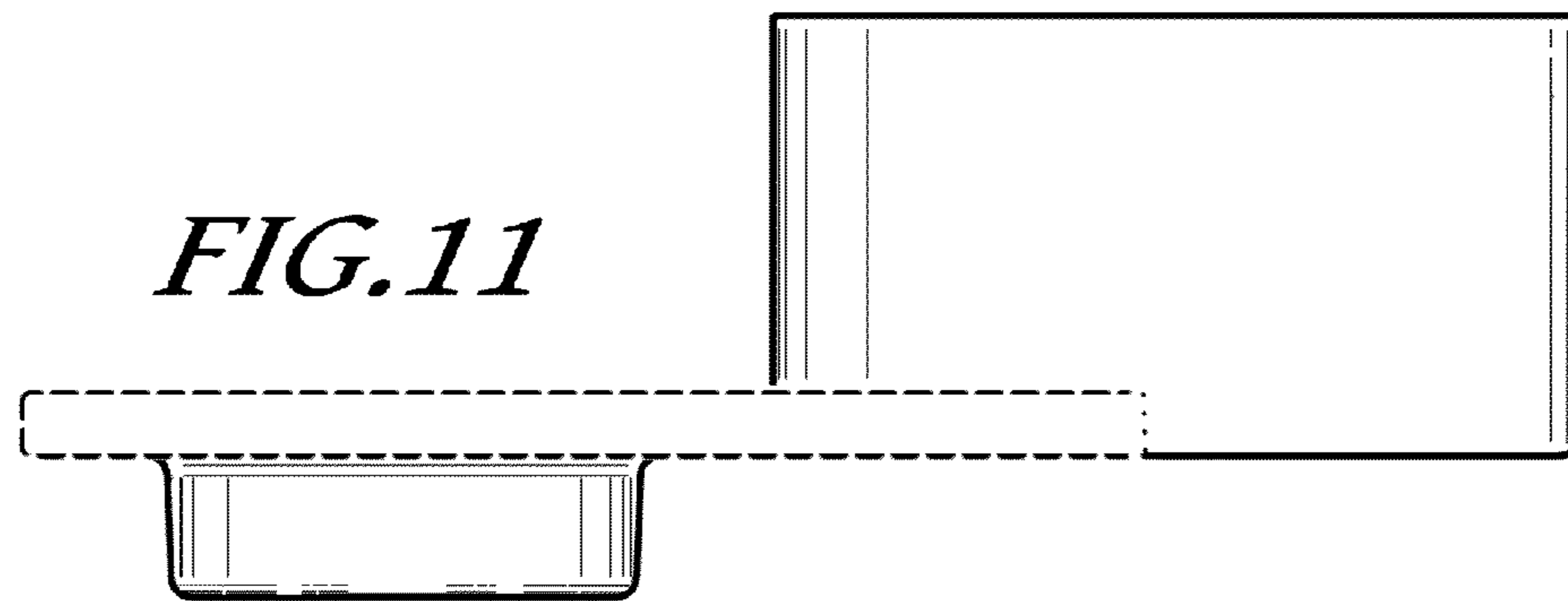


FIG. 7

FIG. 8







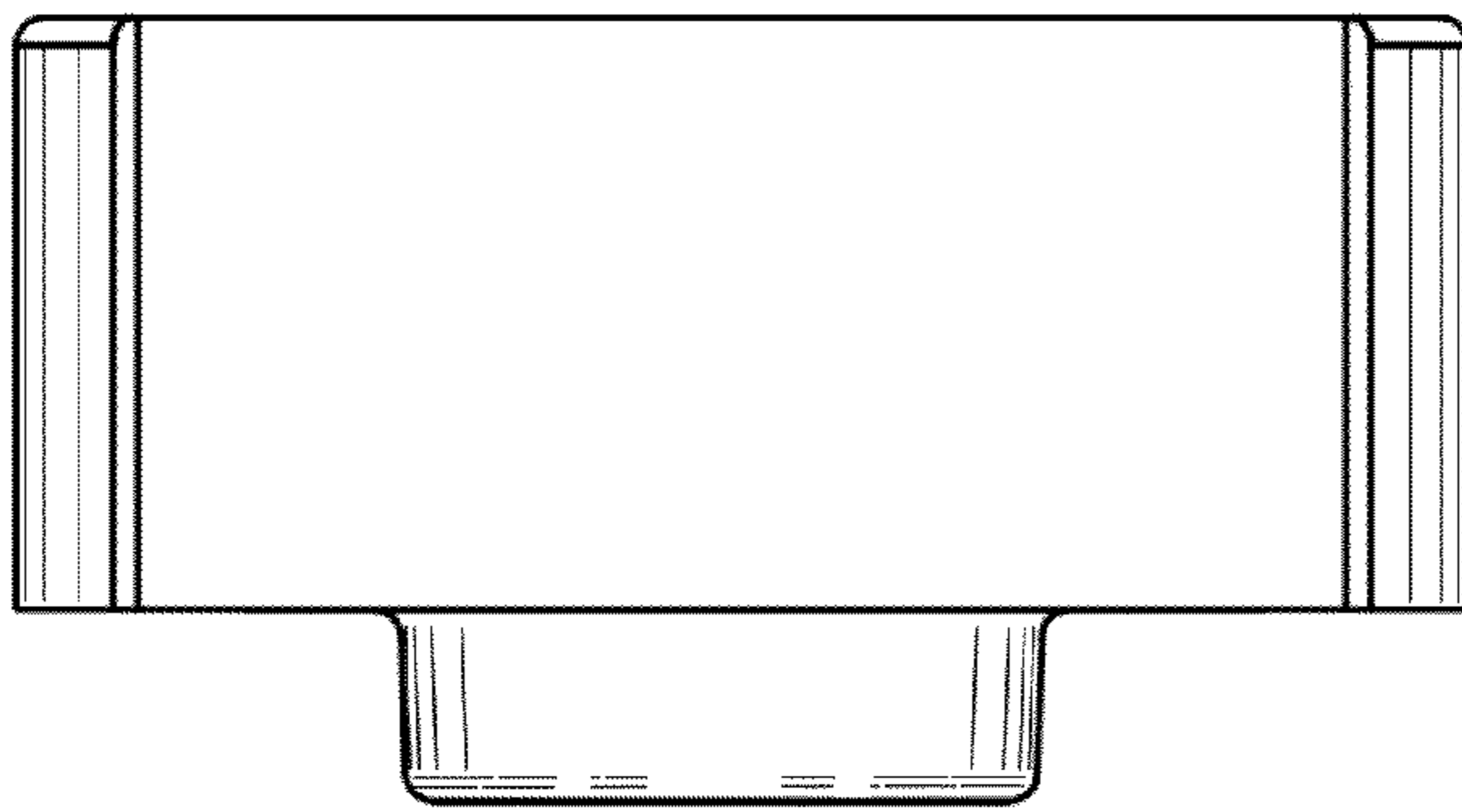
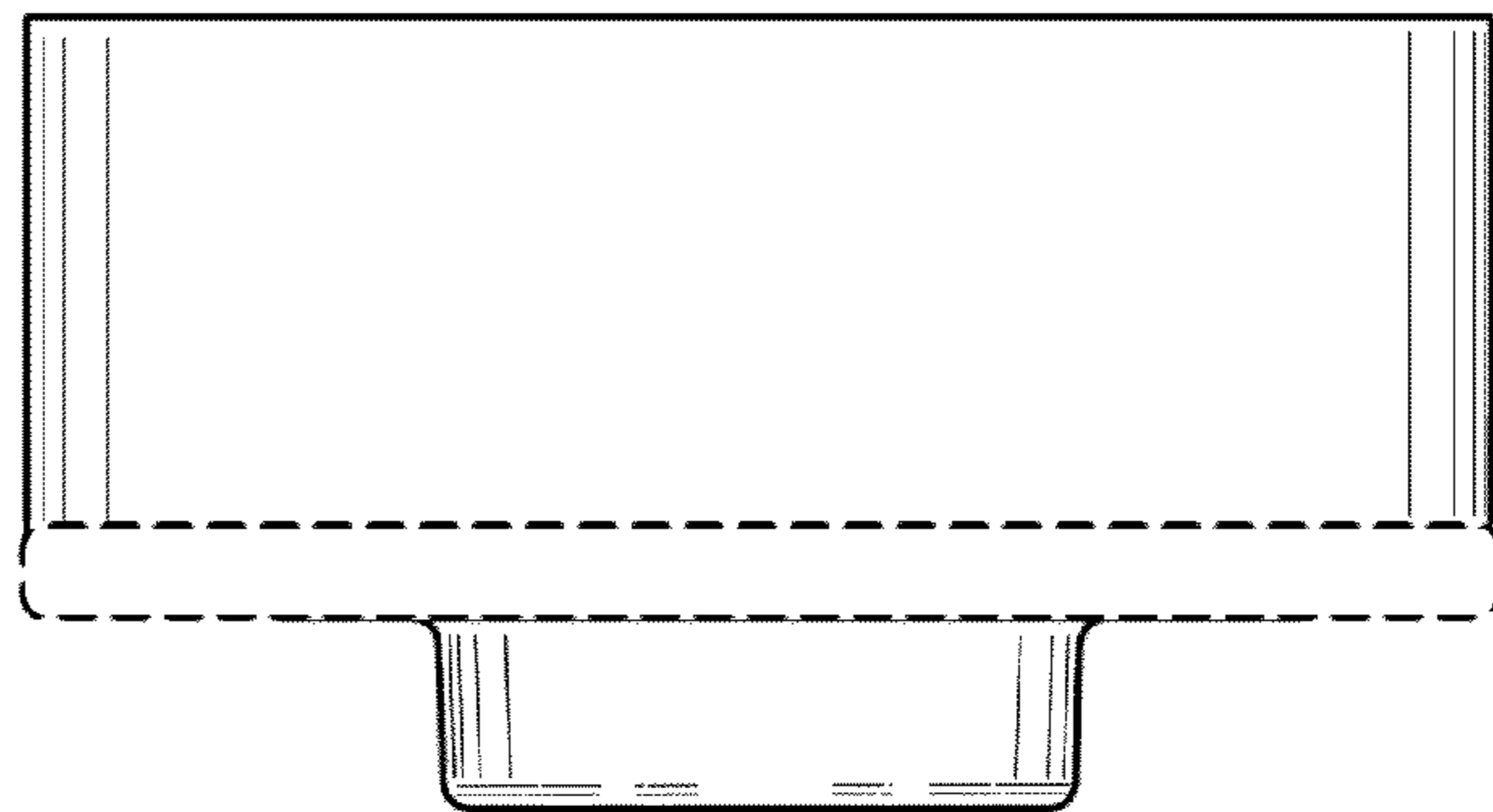


FIG. 13

FIG. 14



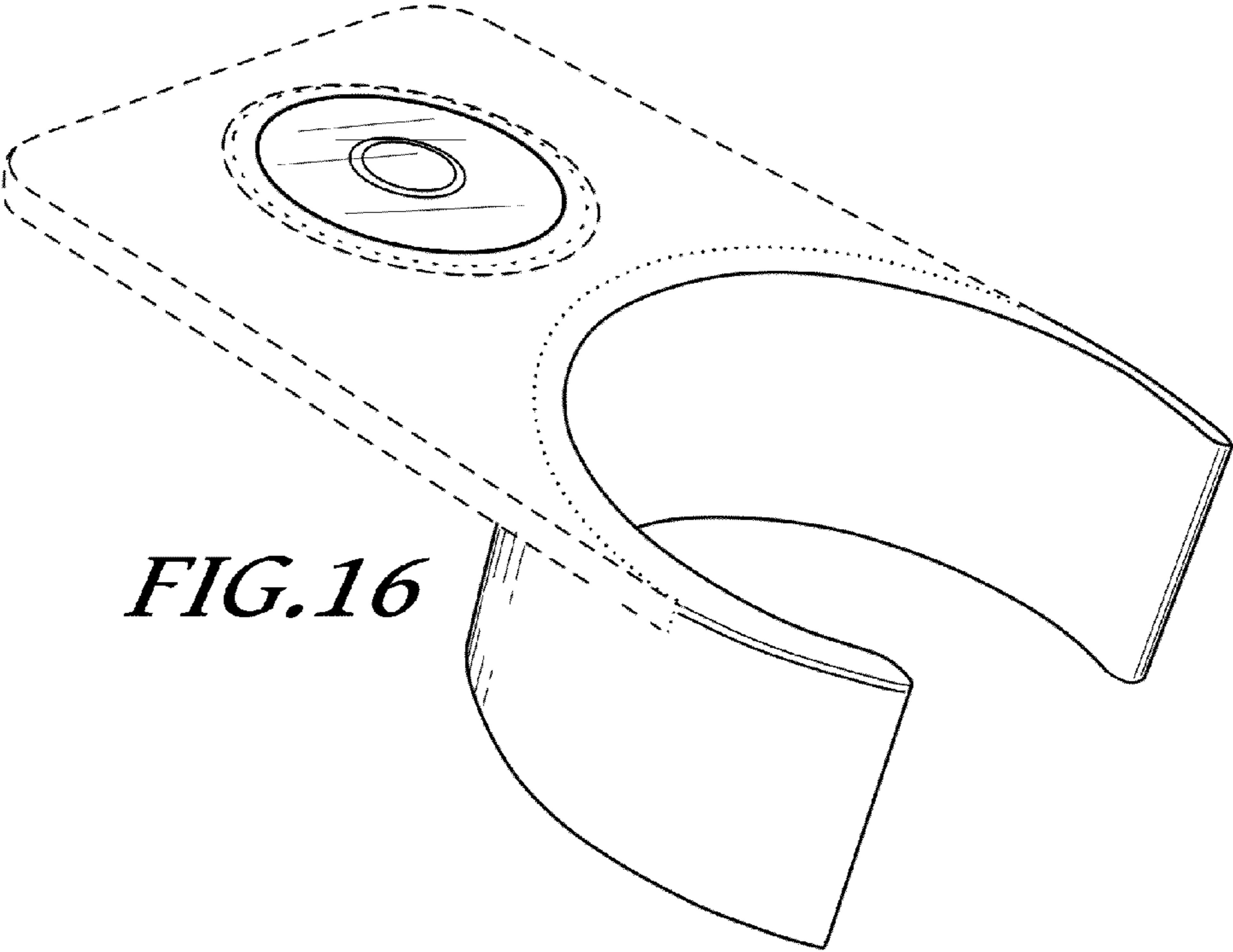
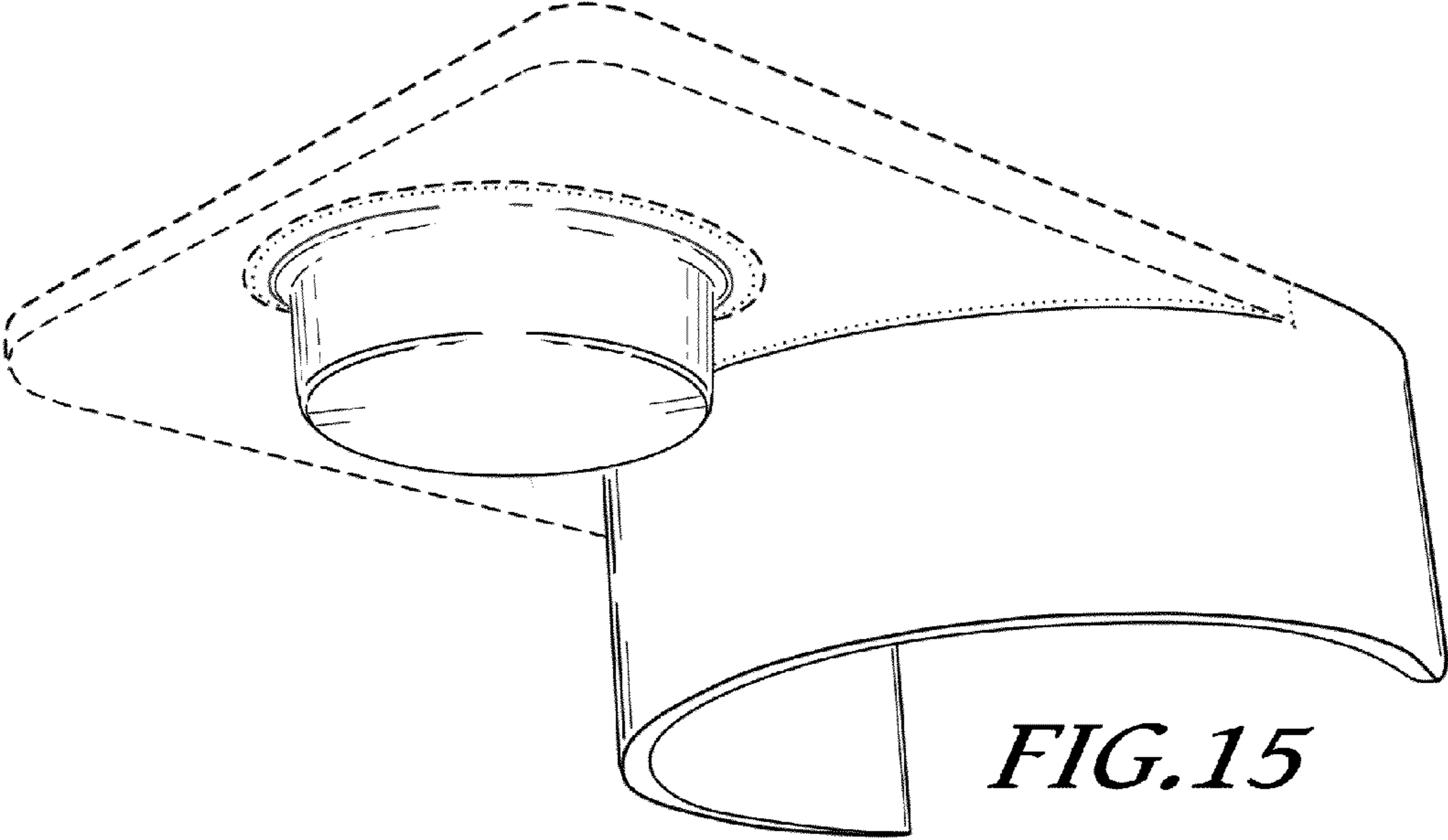
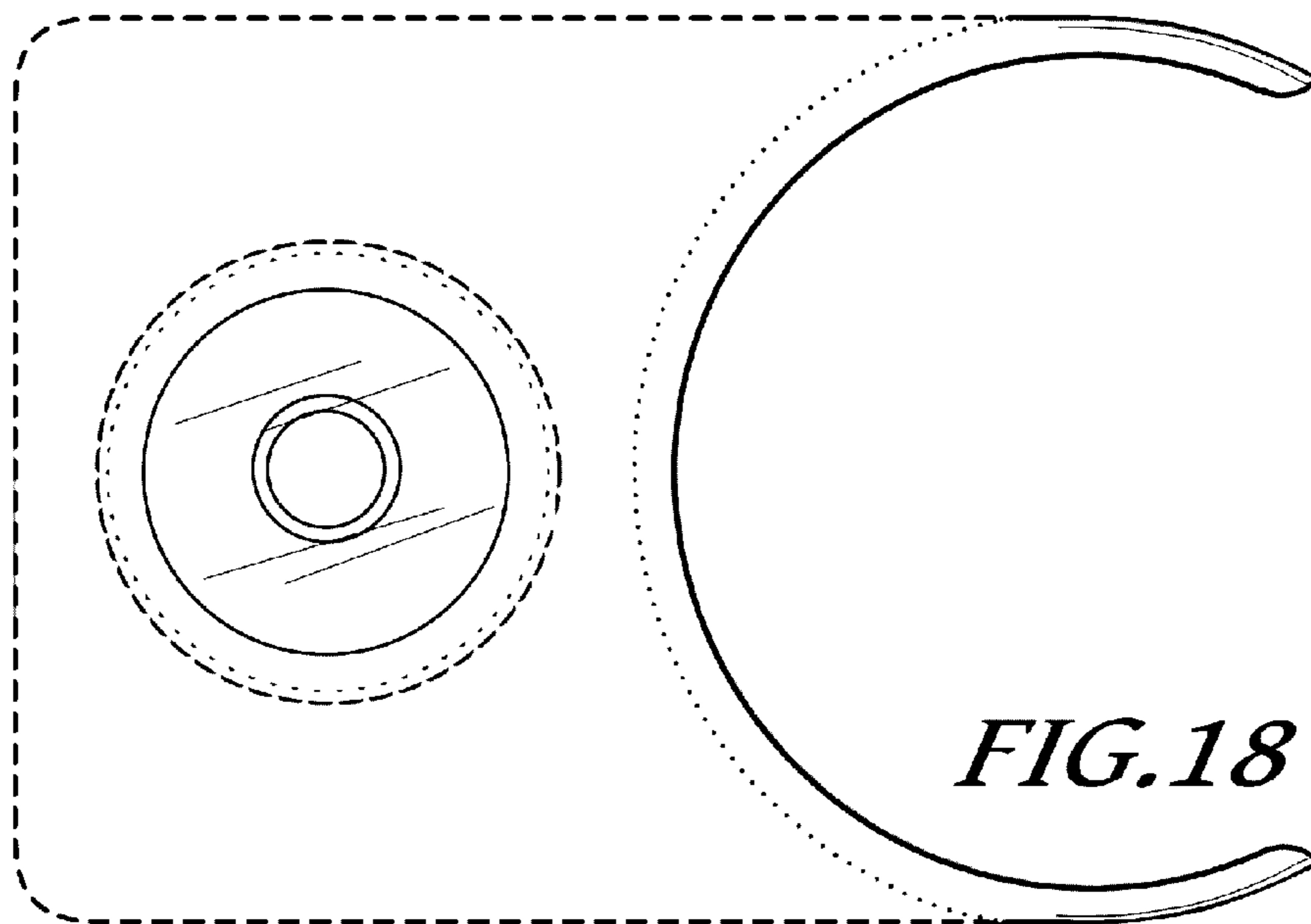
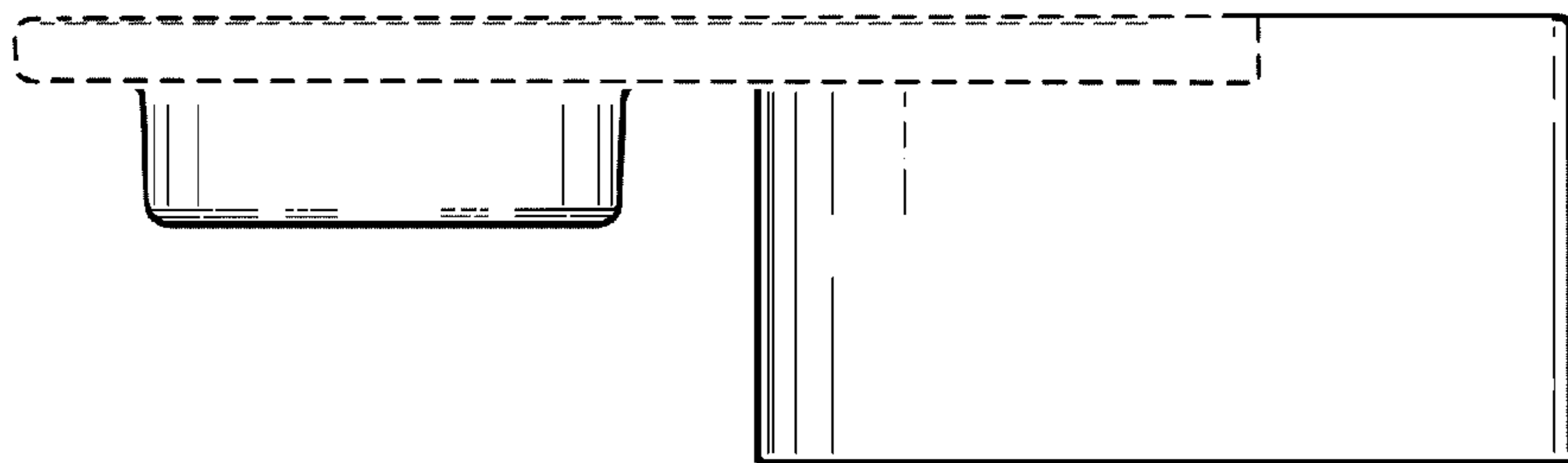
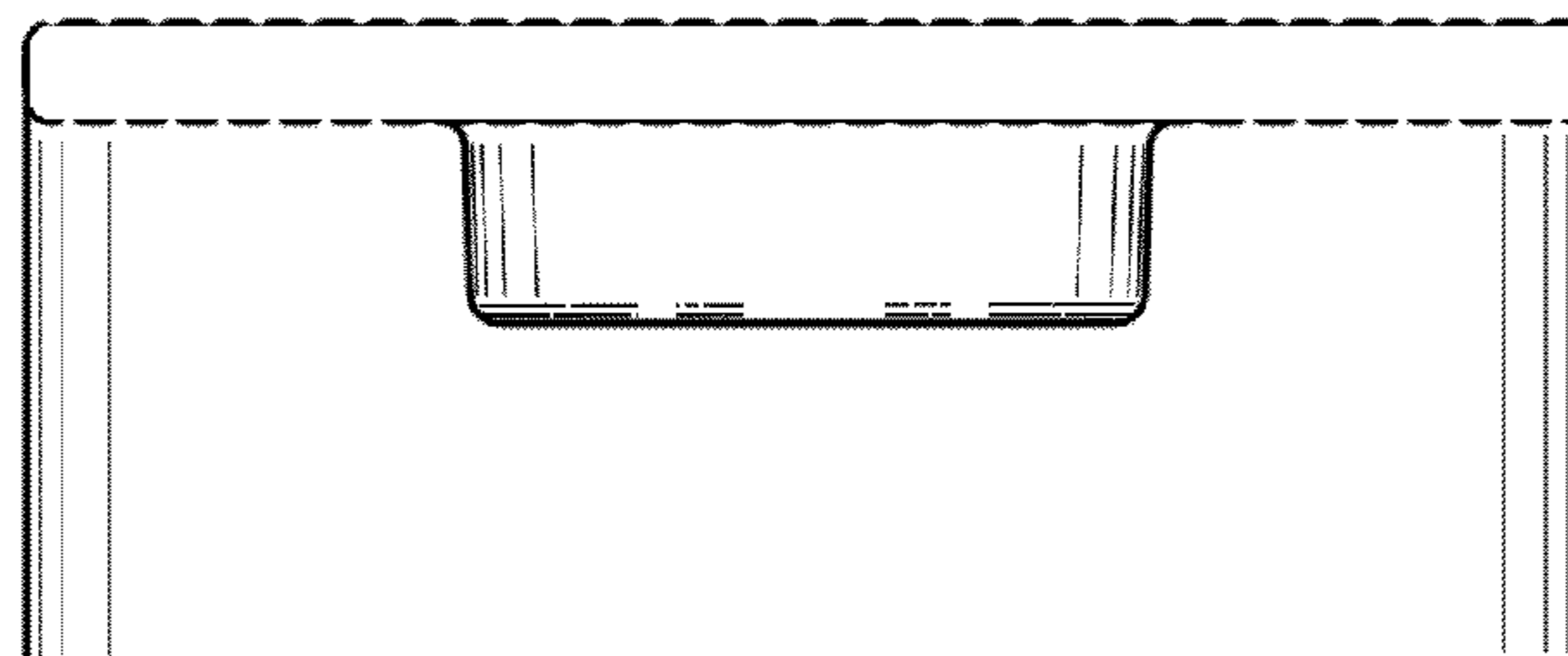
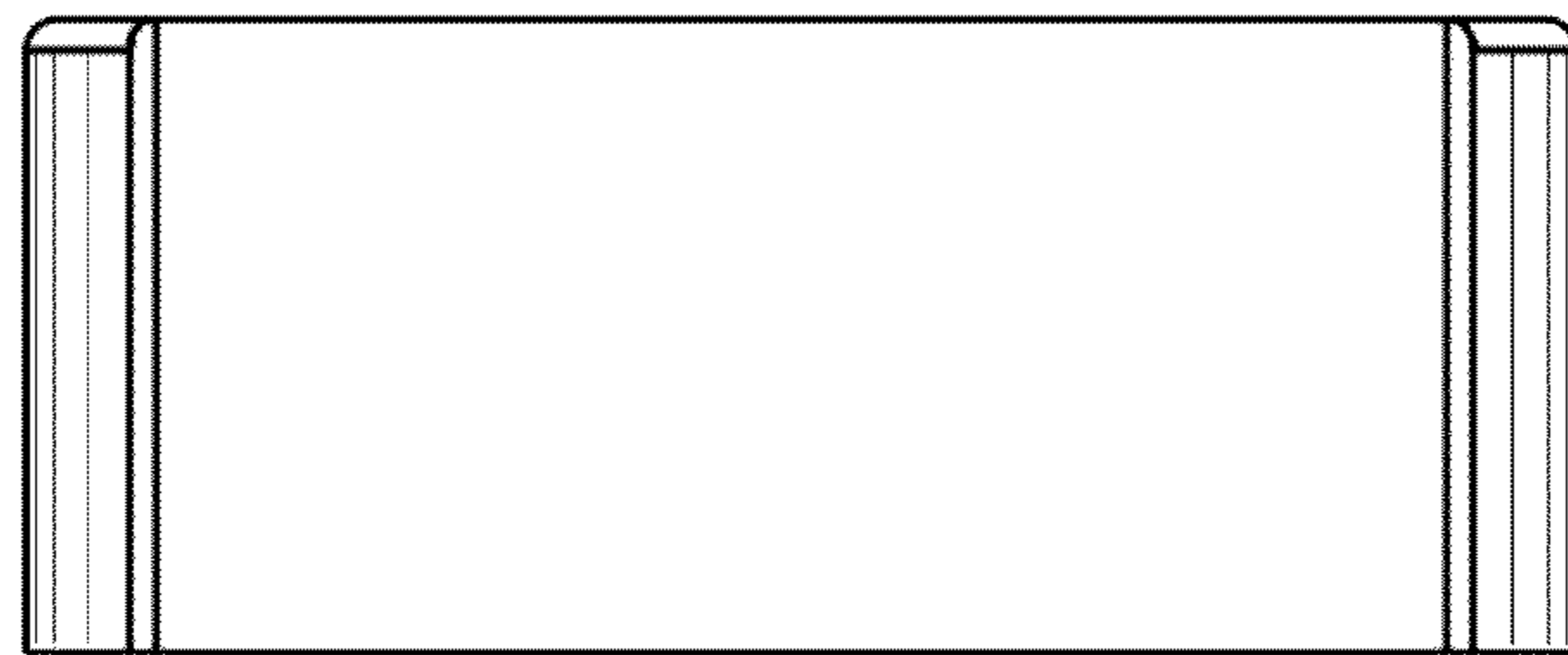
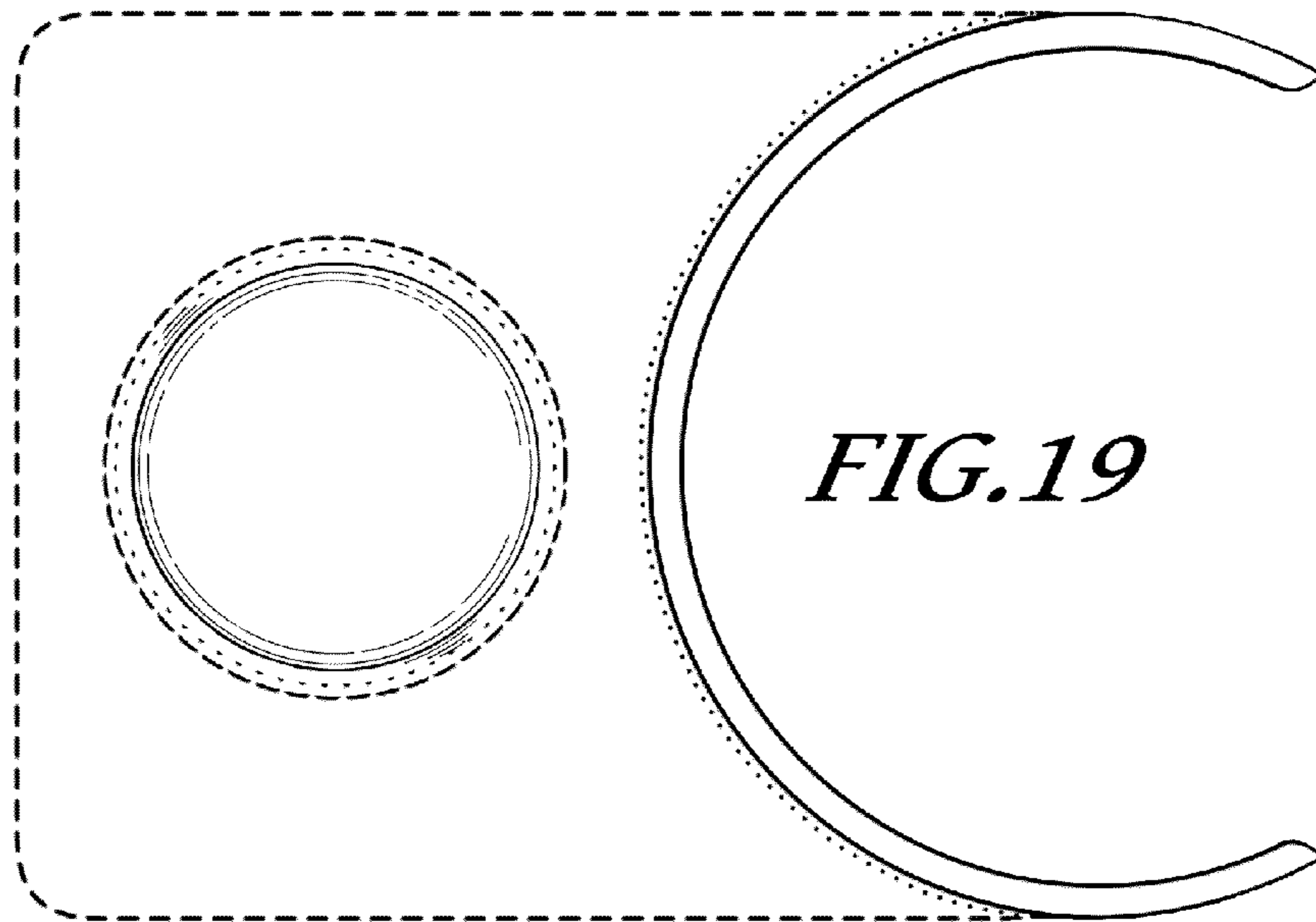
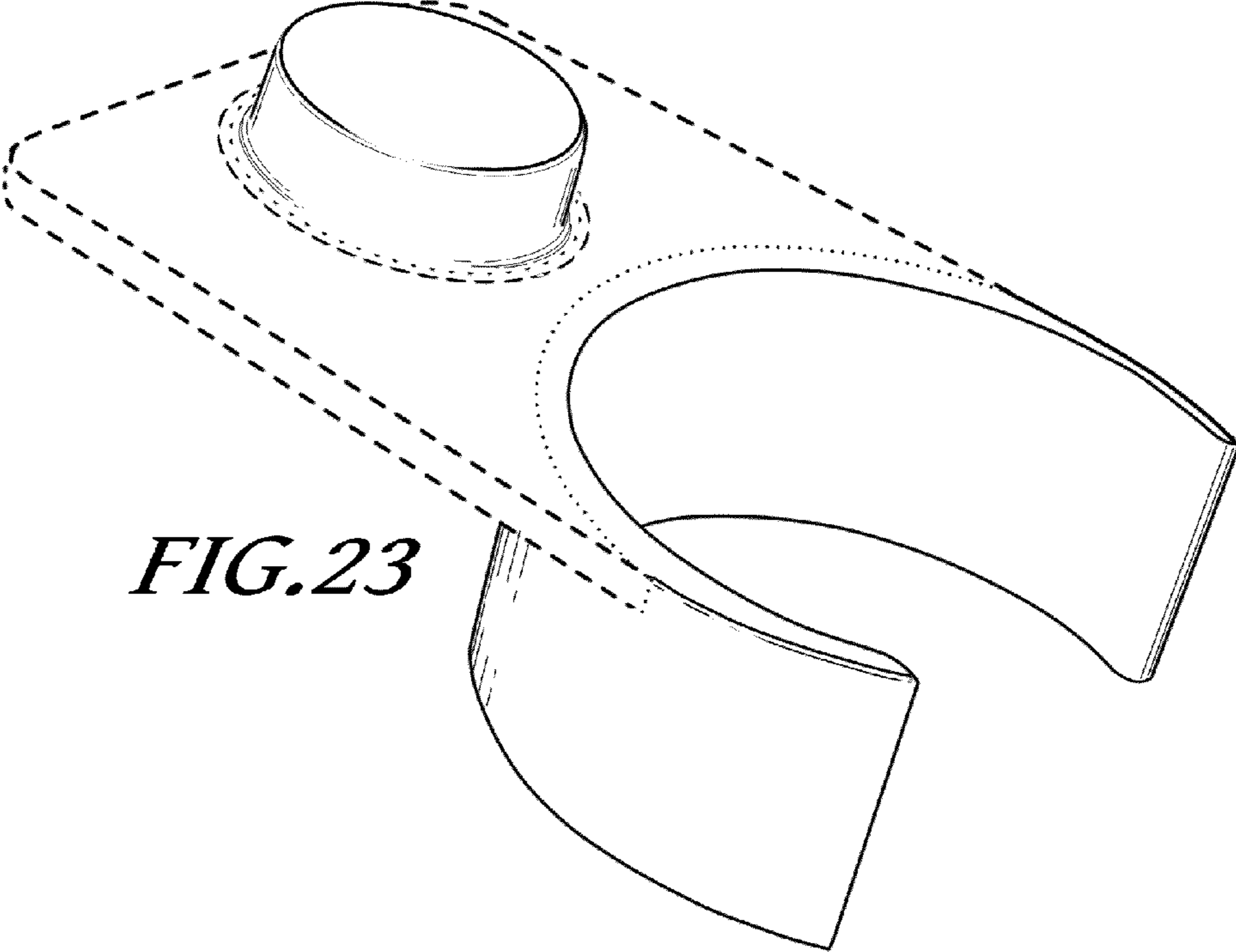
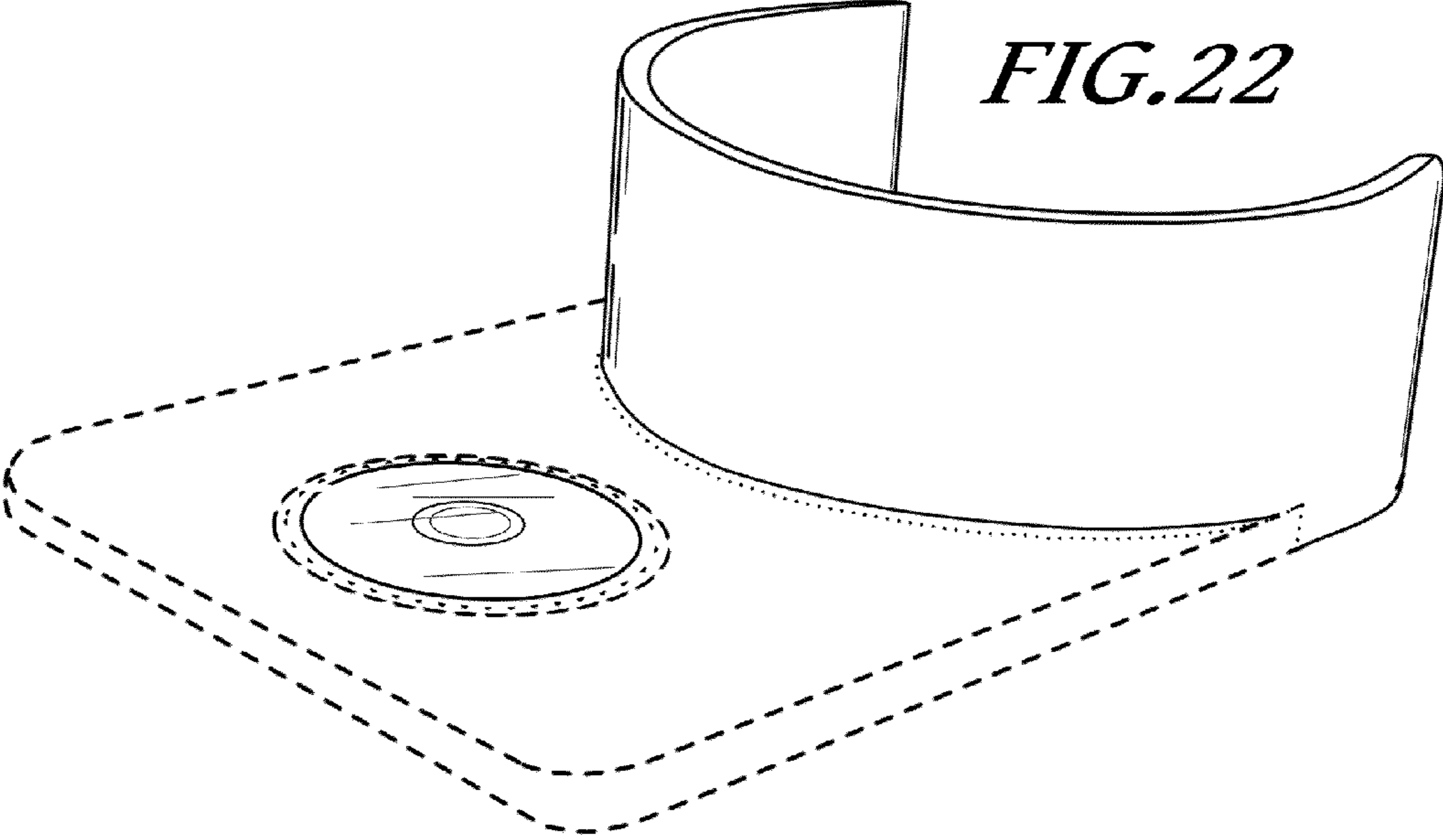
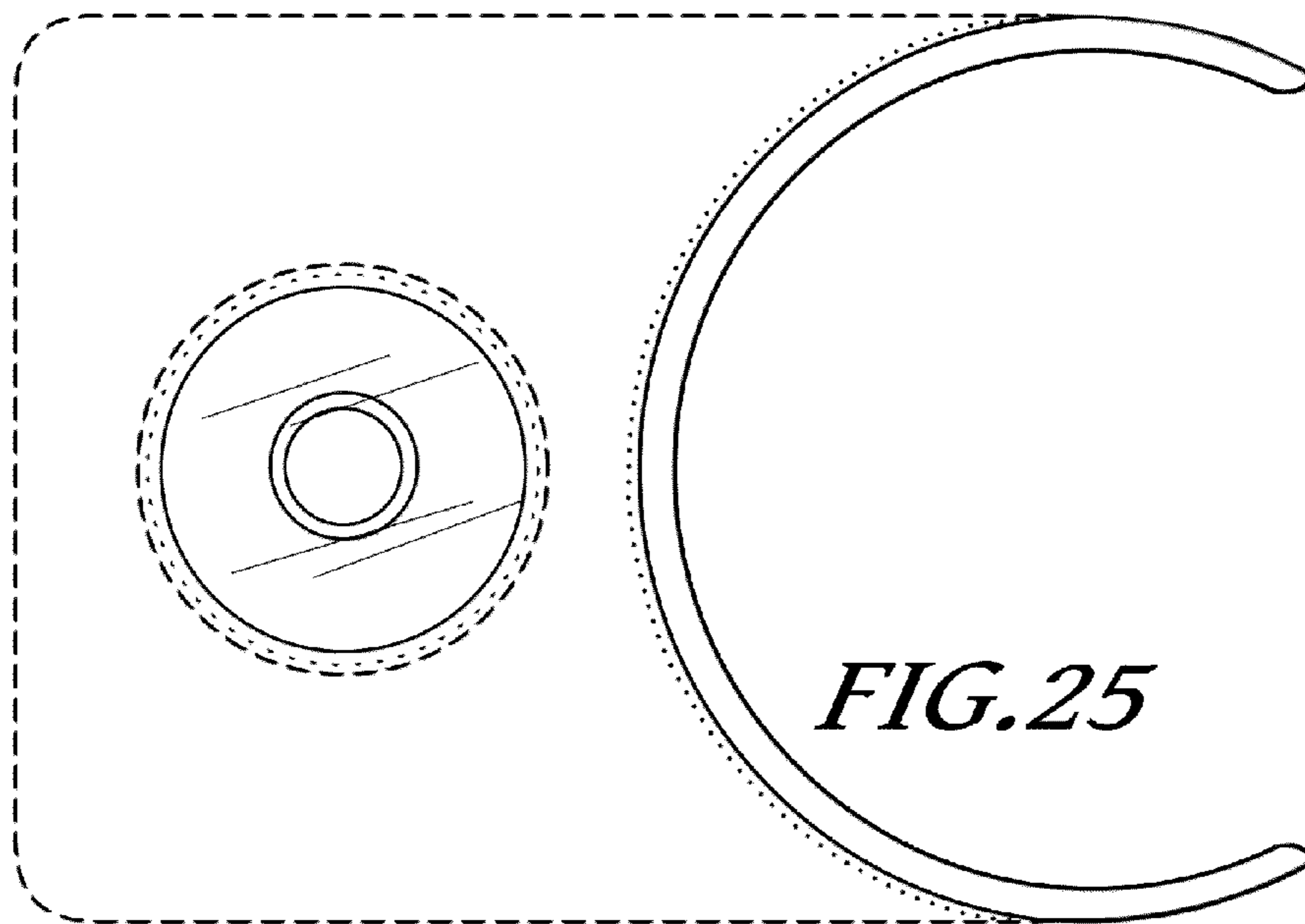
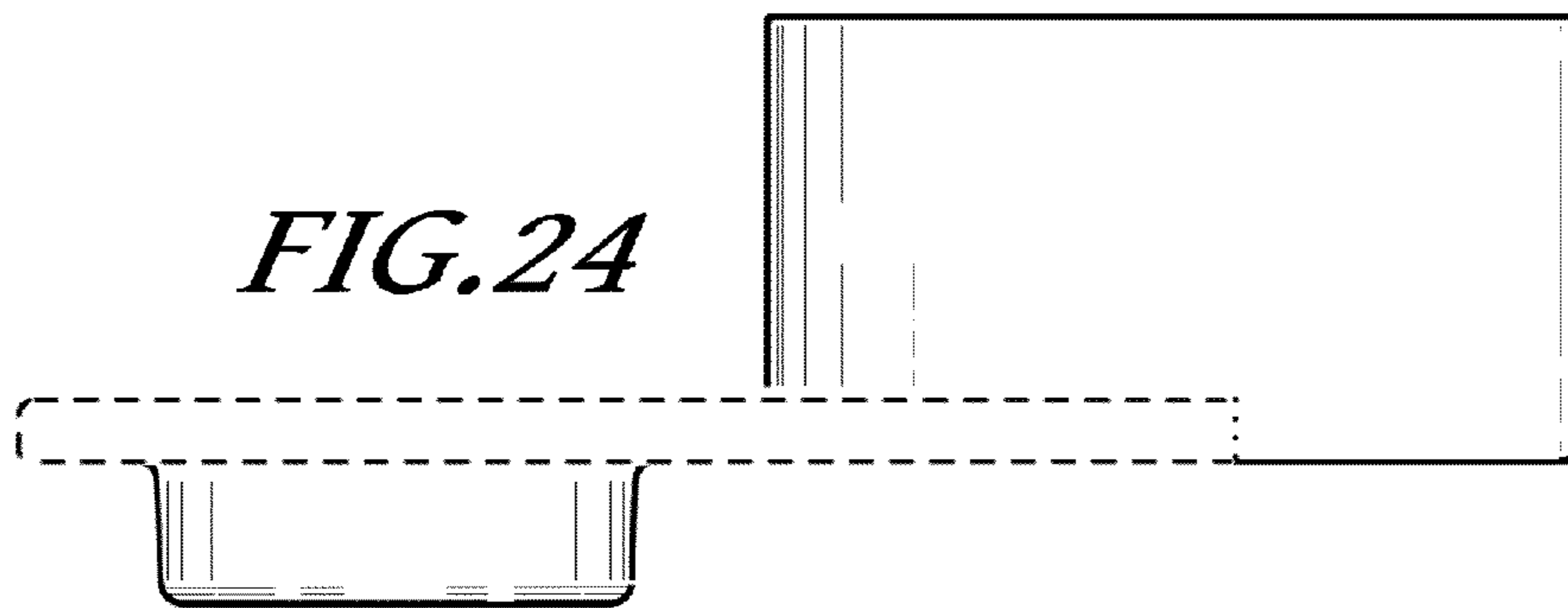


FIG.17









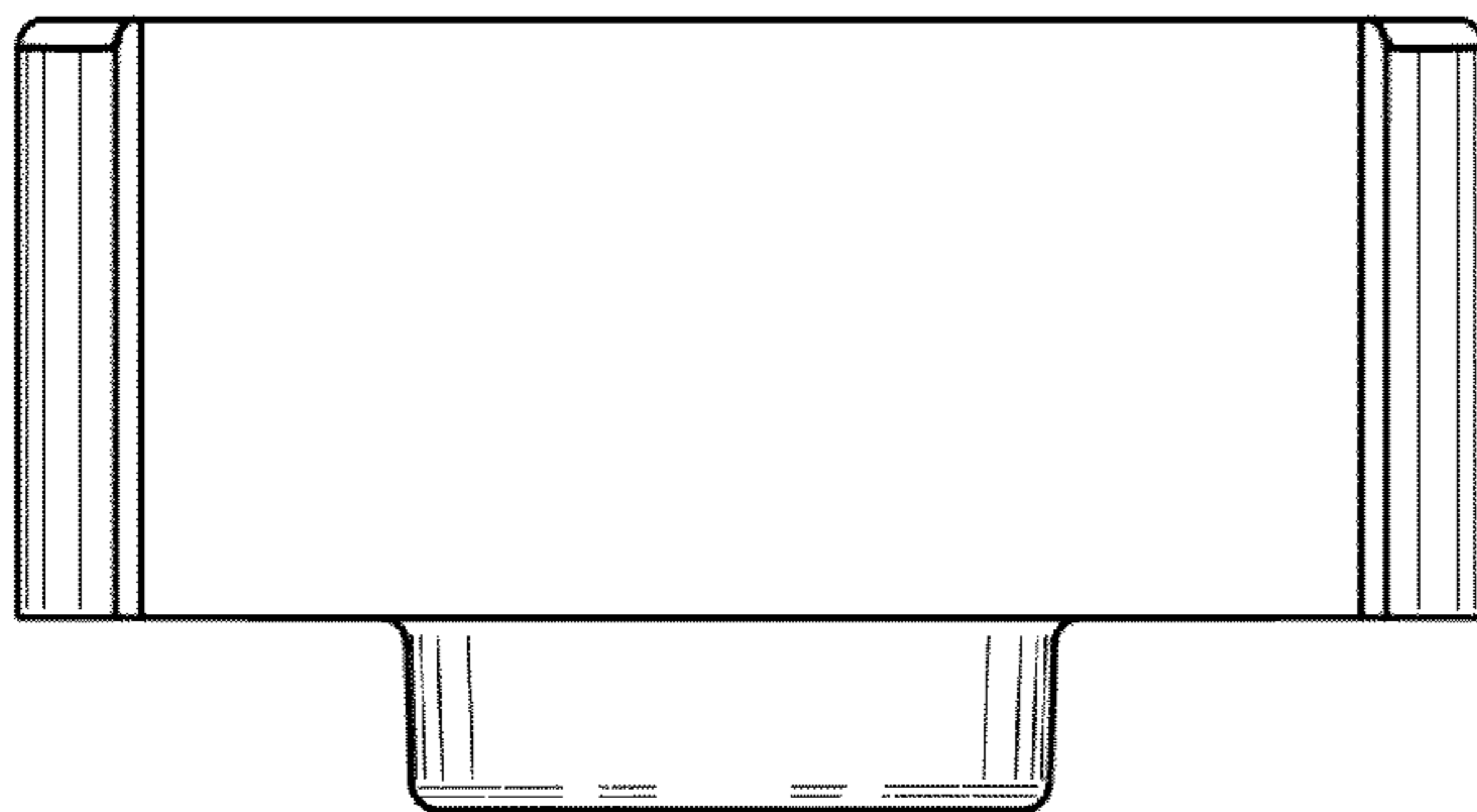
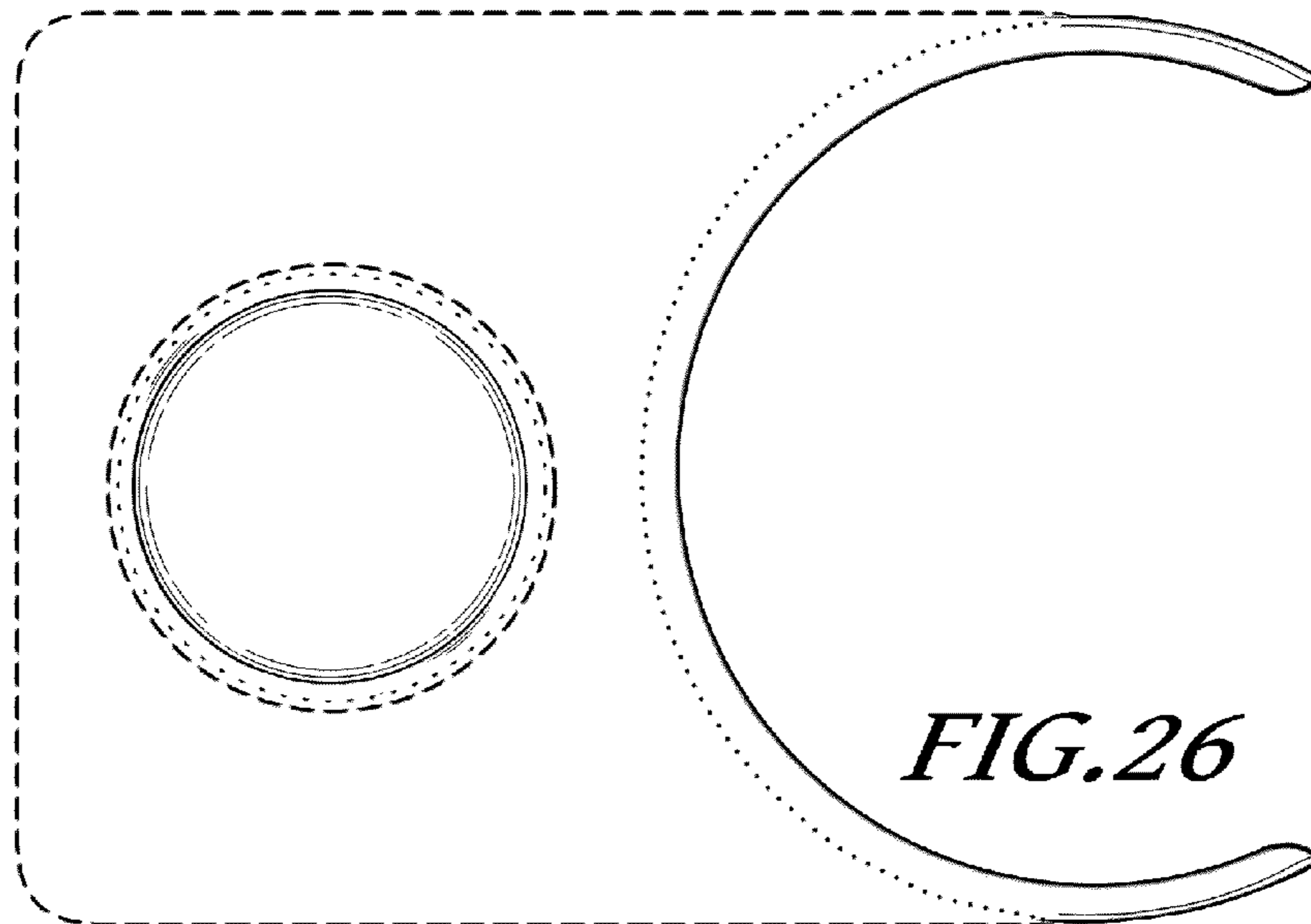
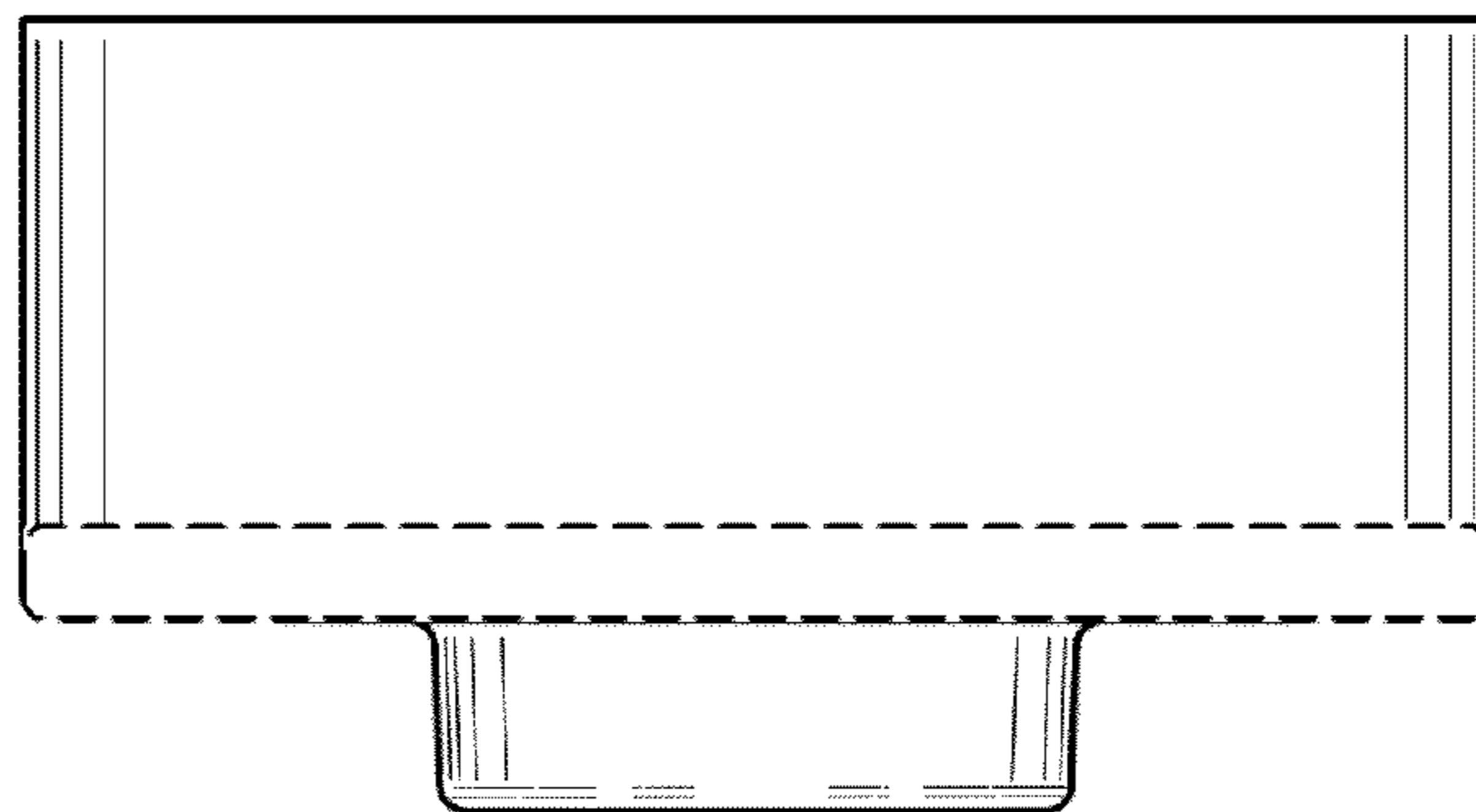
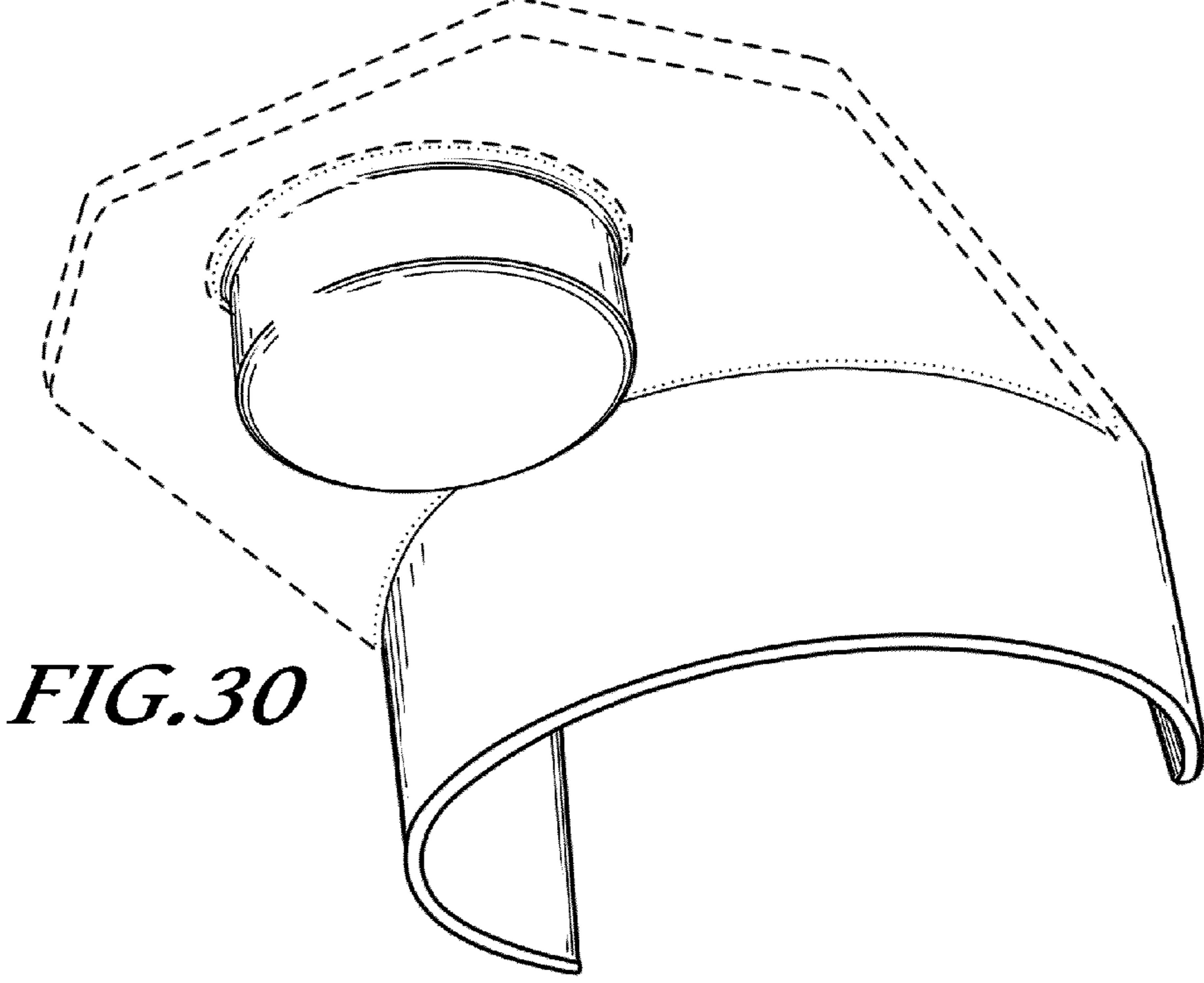
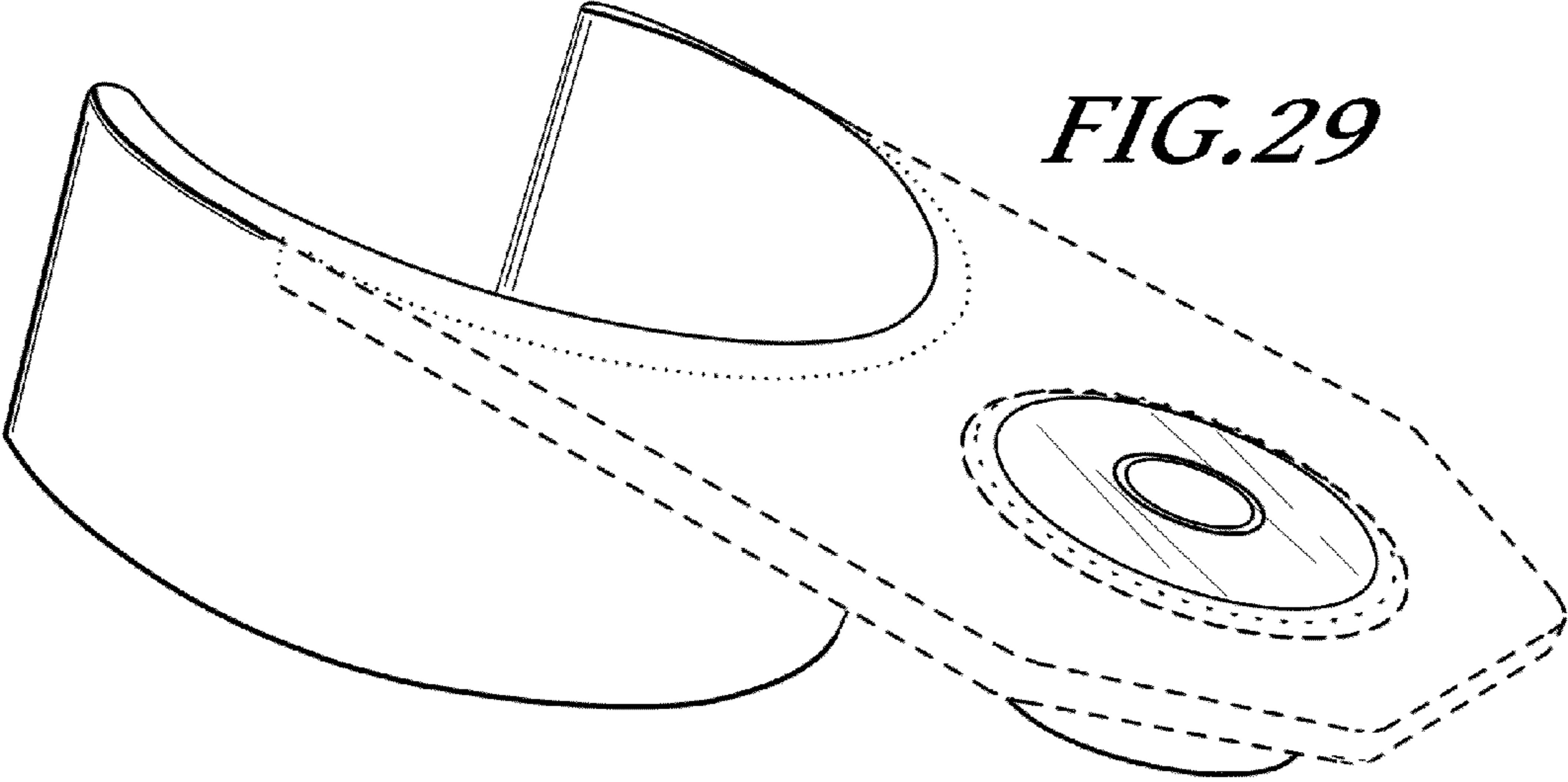


FIG. 28





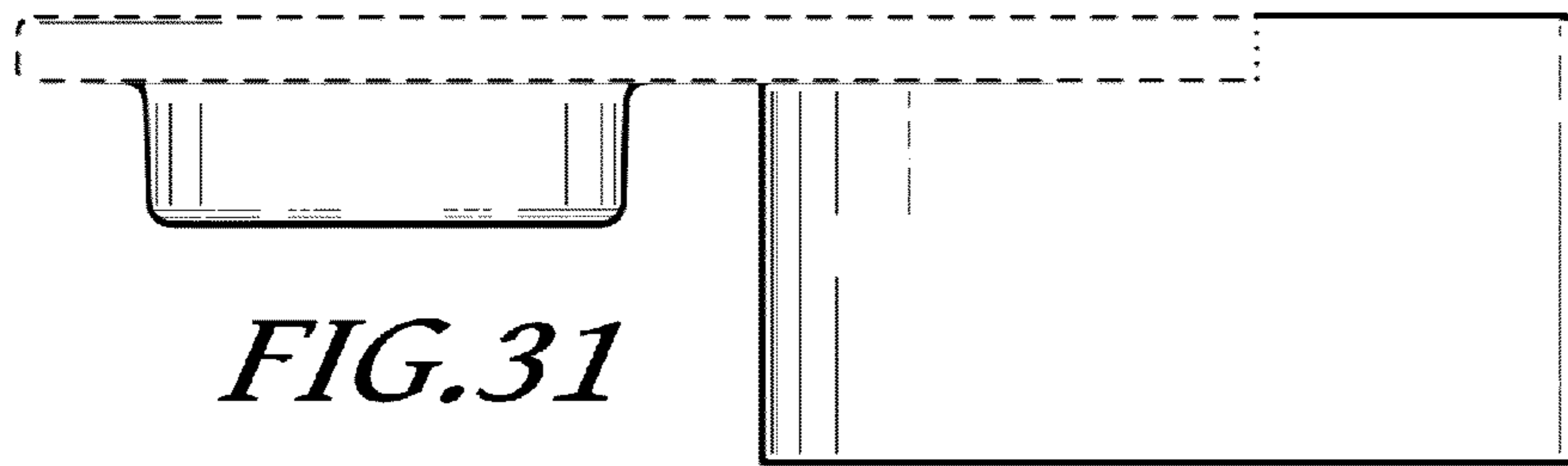


FIG. 31

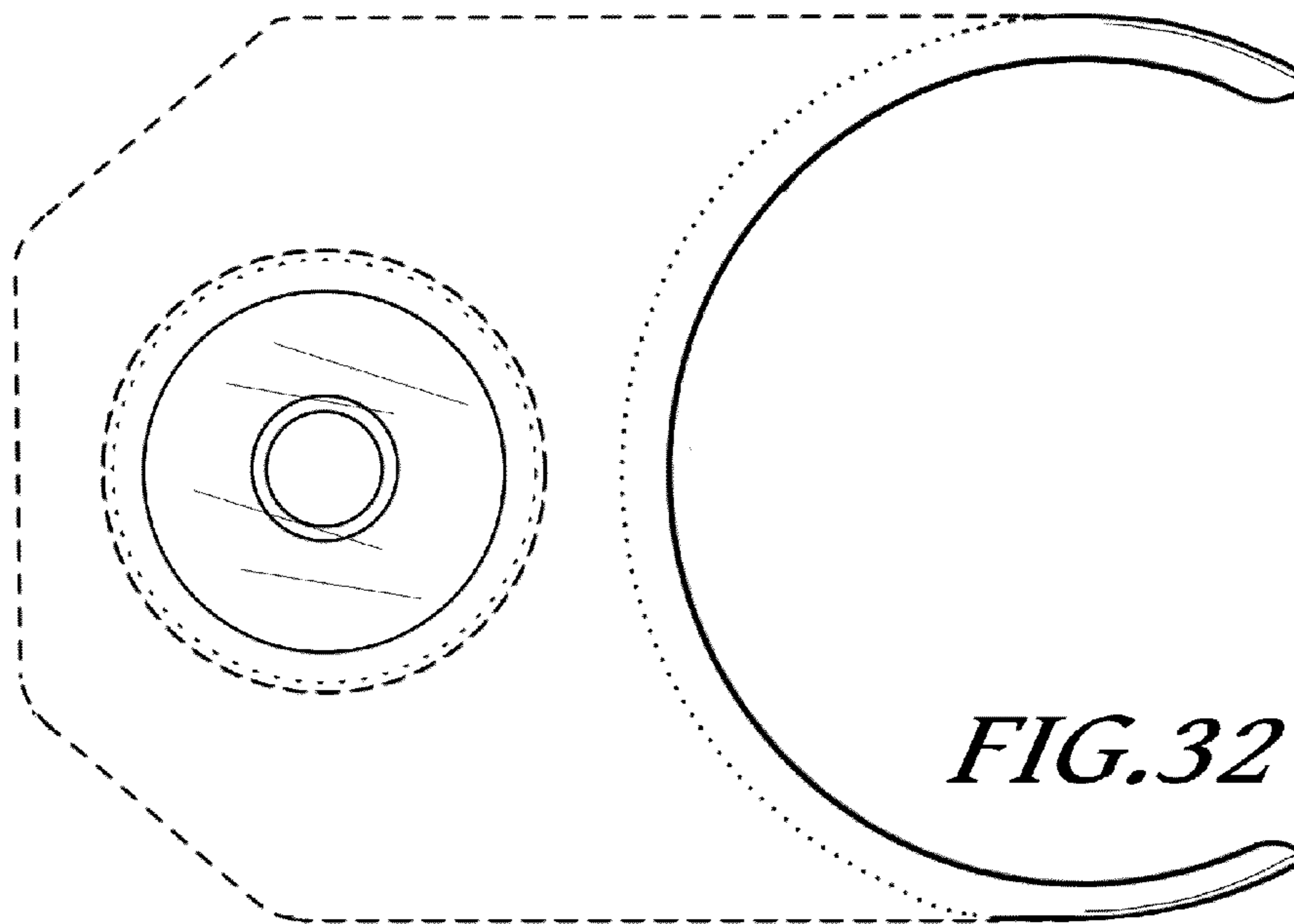


FIG. 32

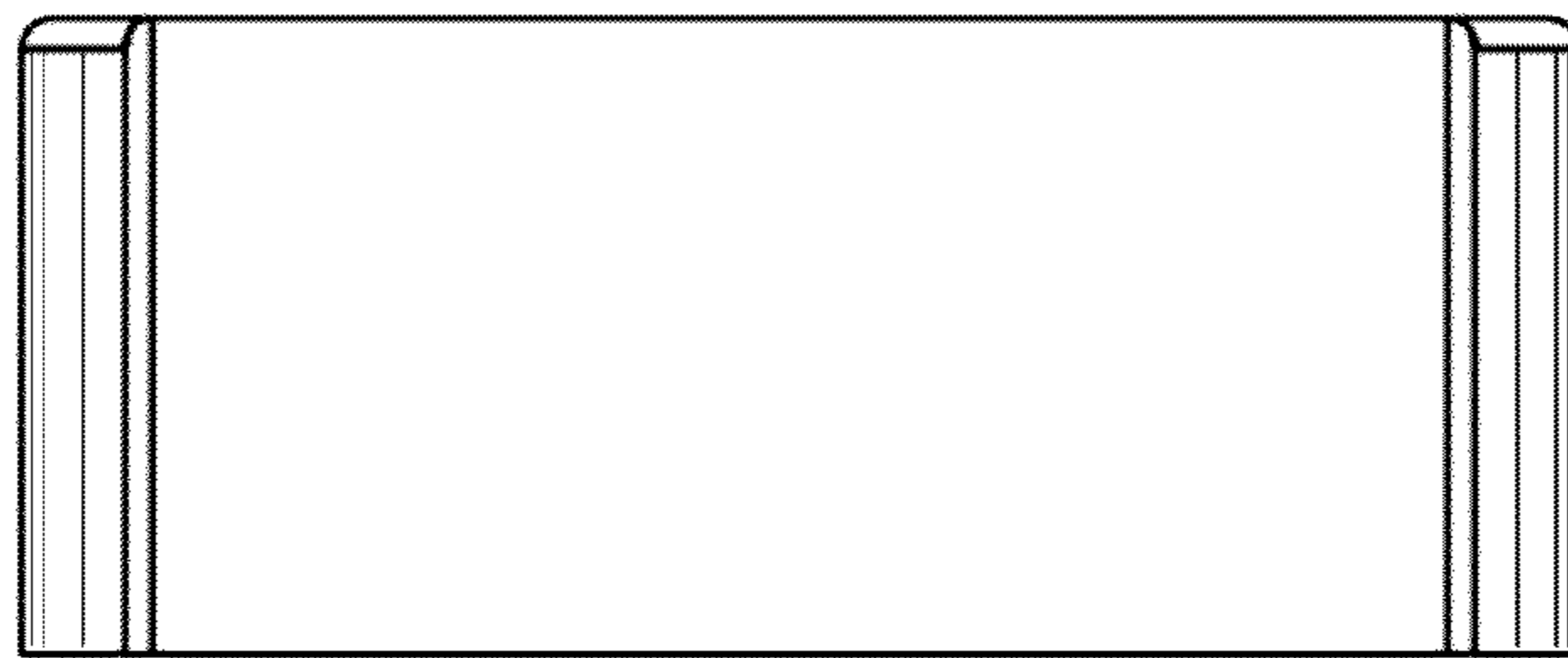
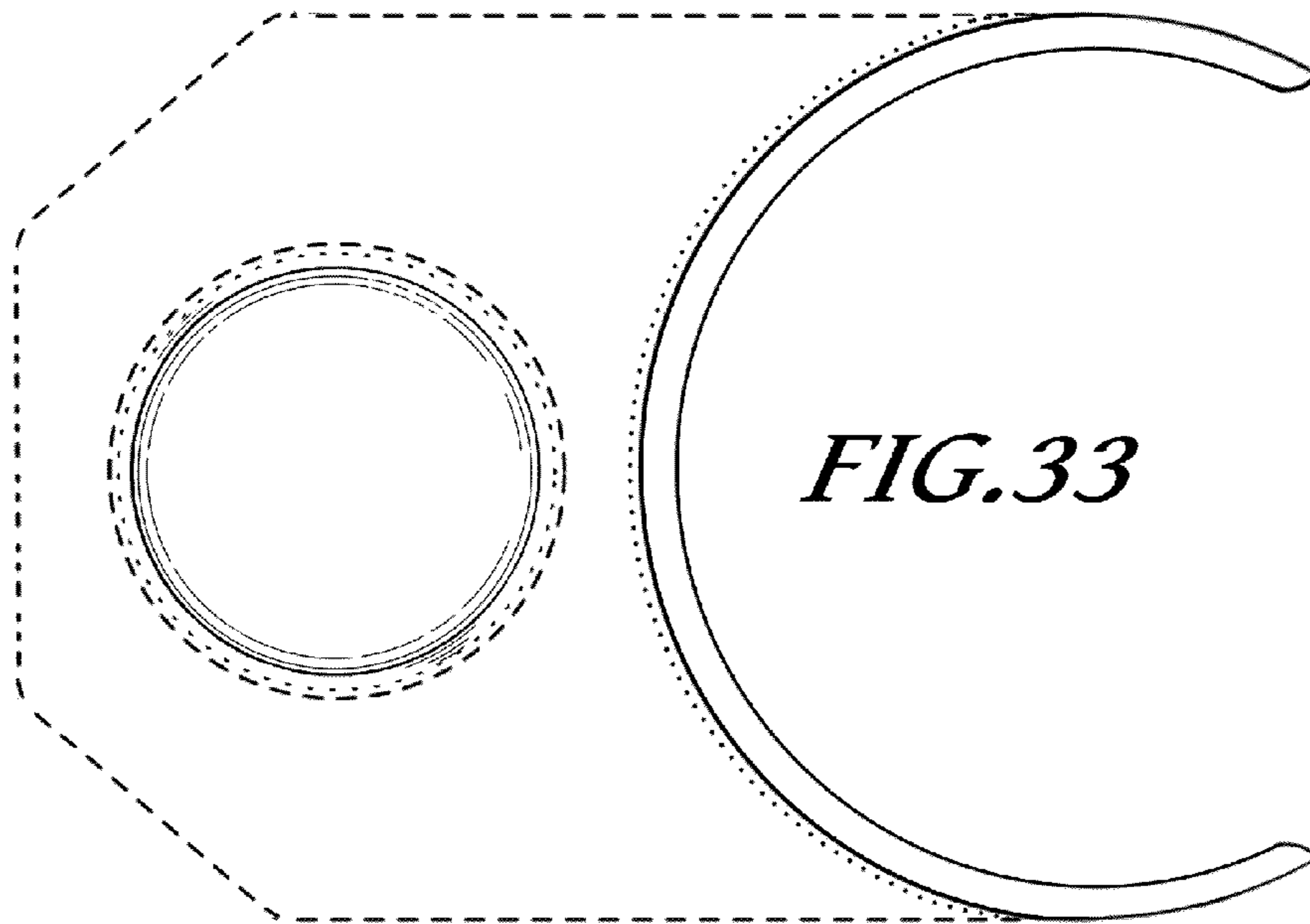


FIG. 34

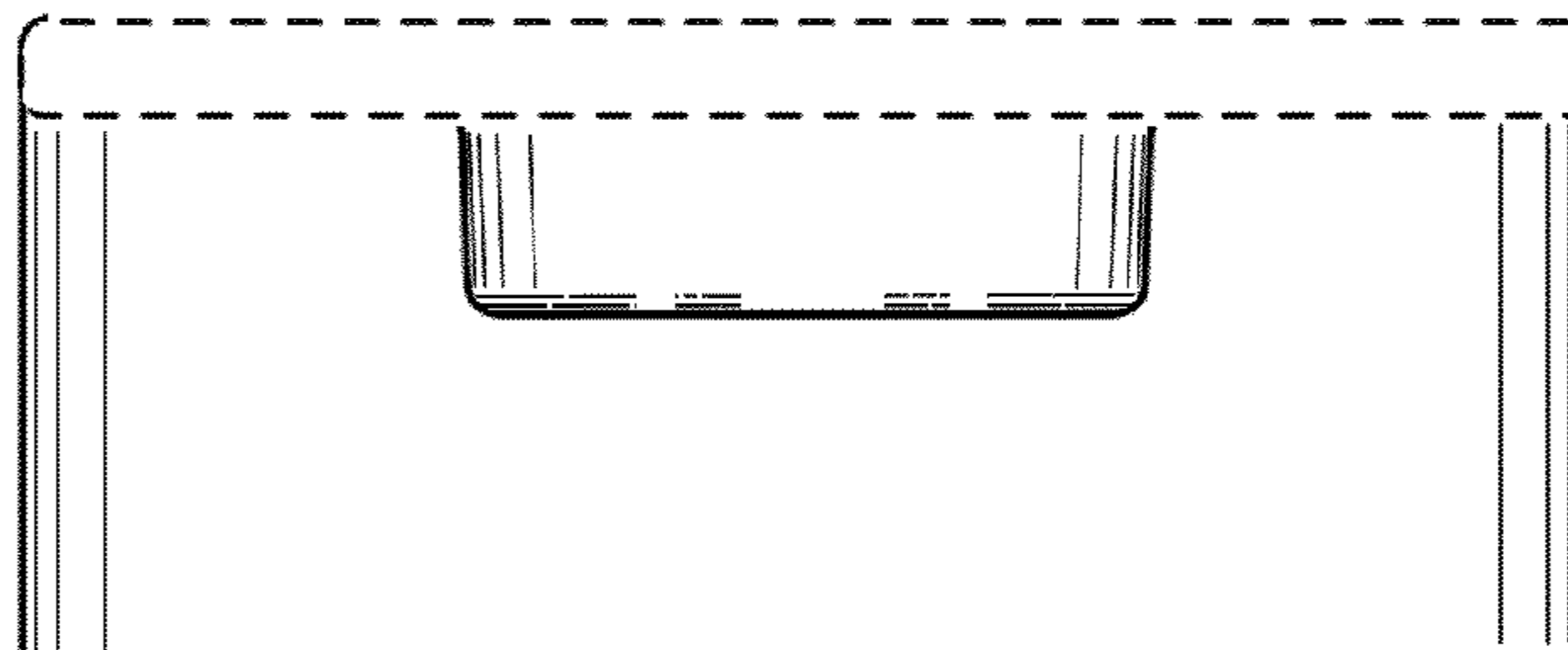
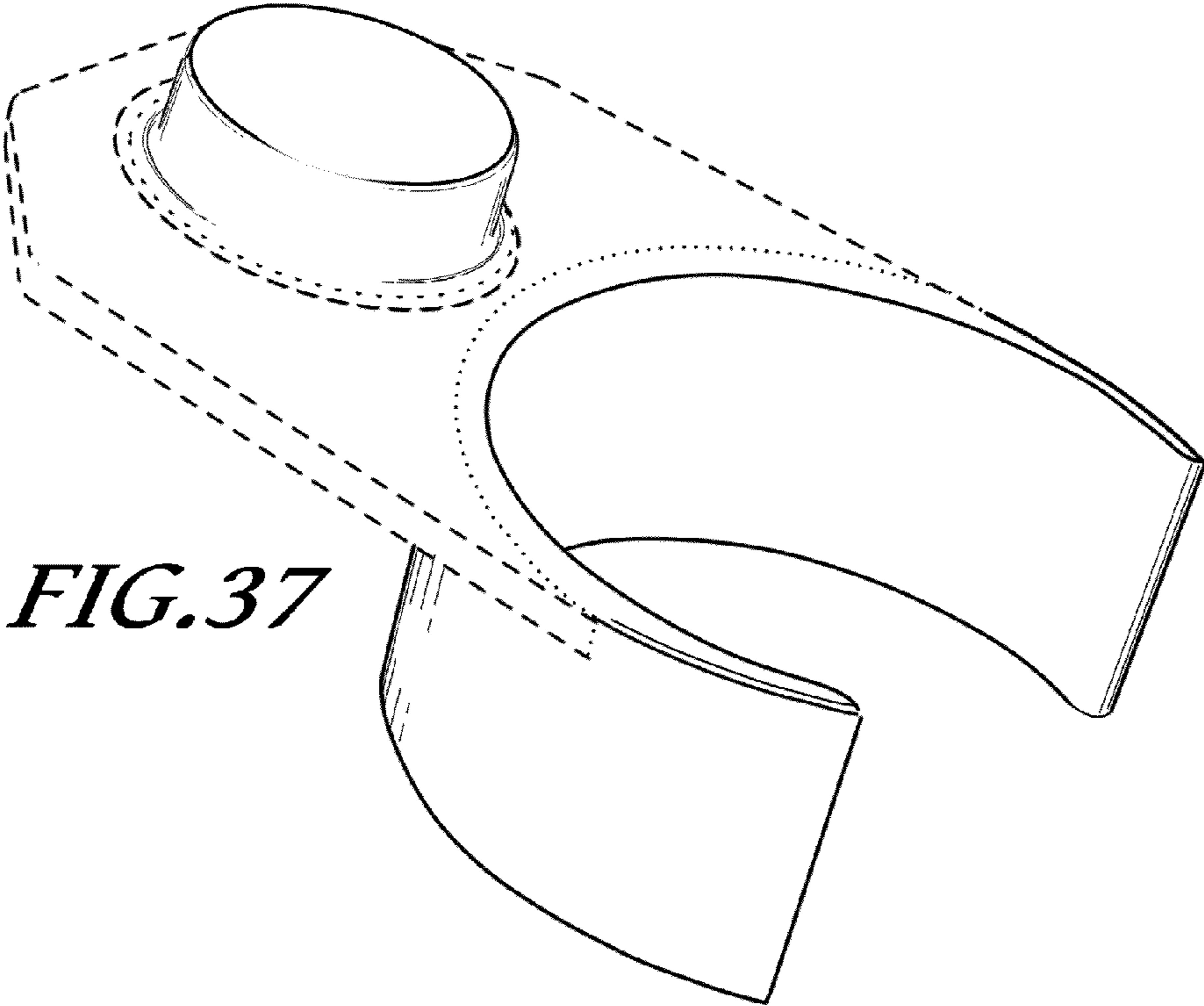
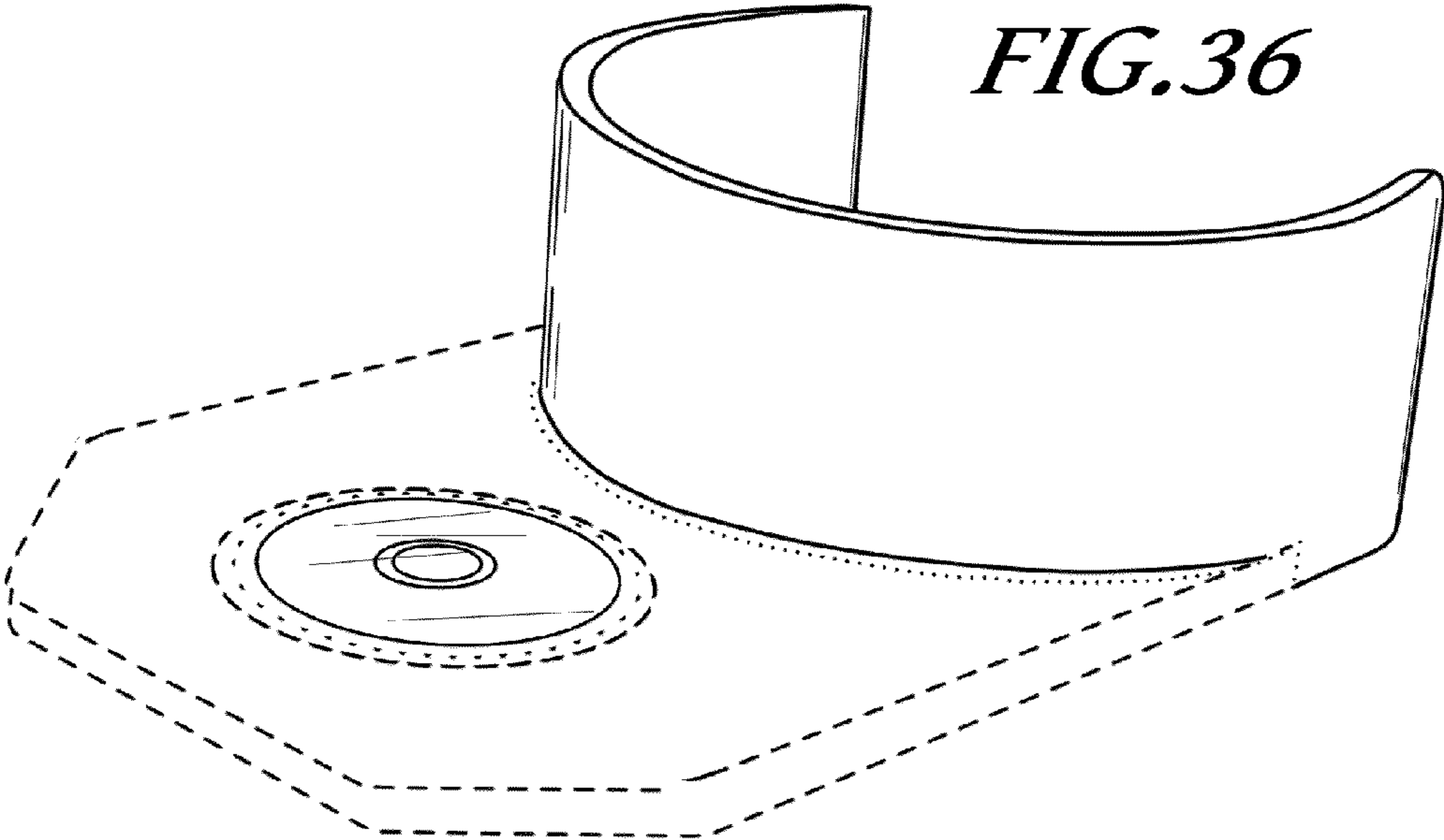
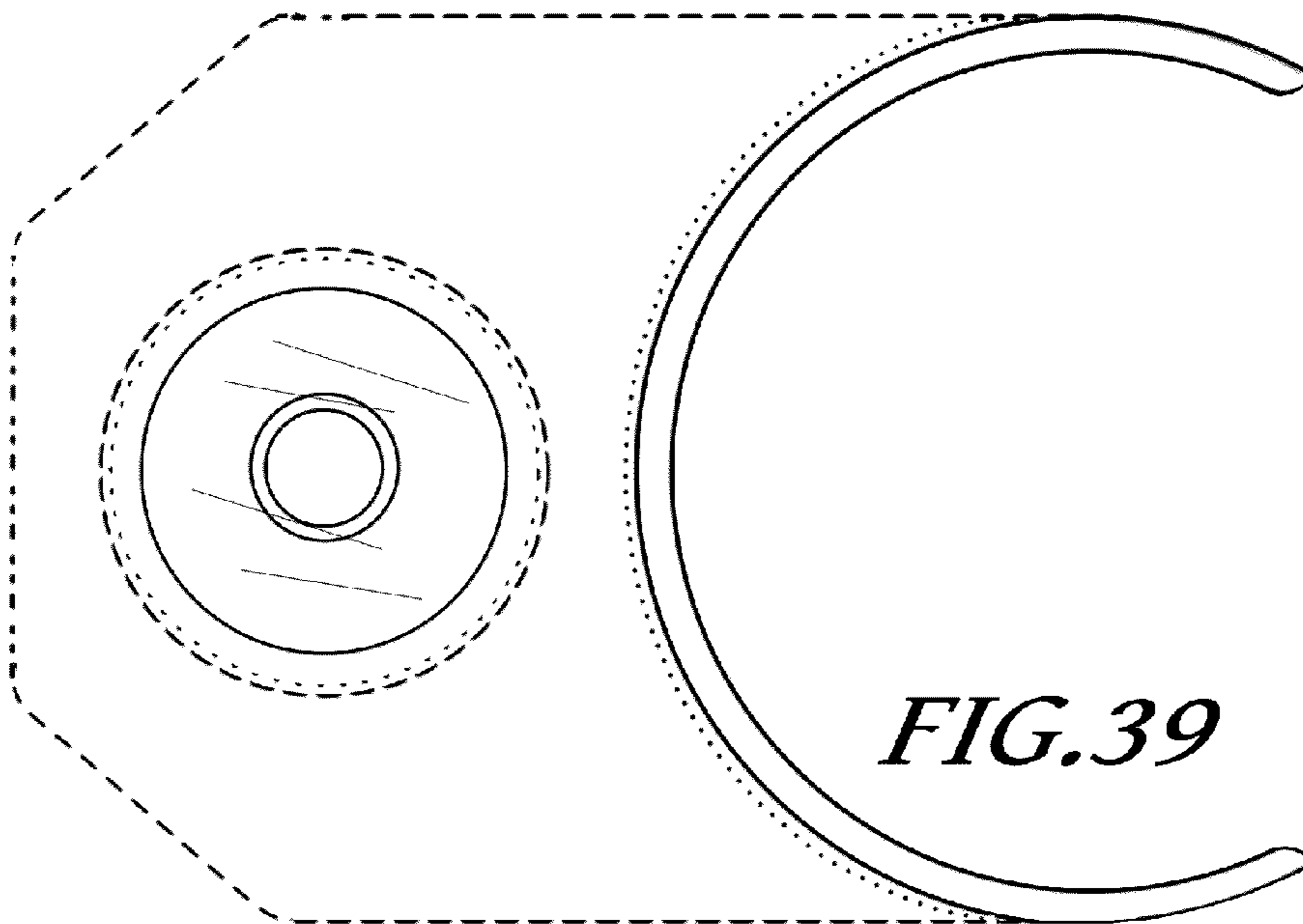
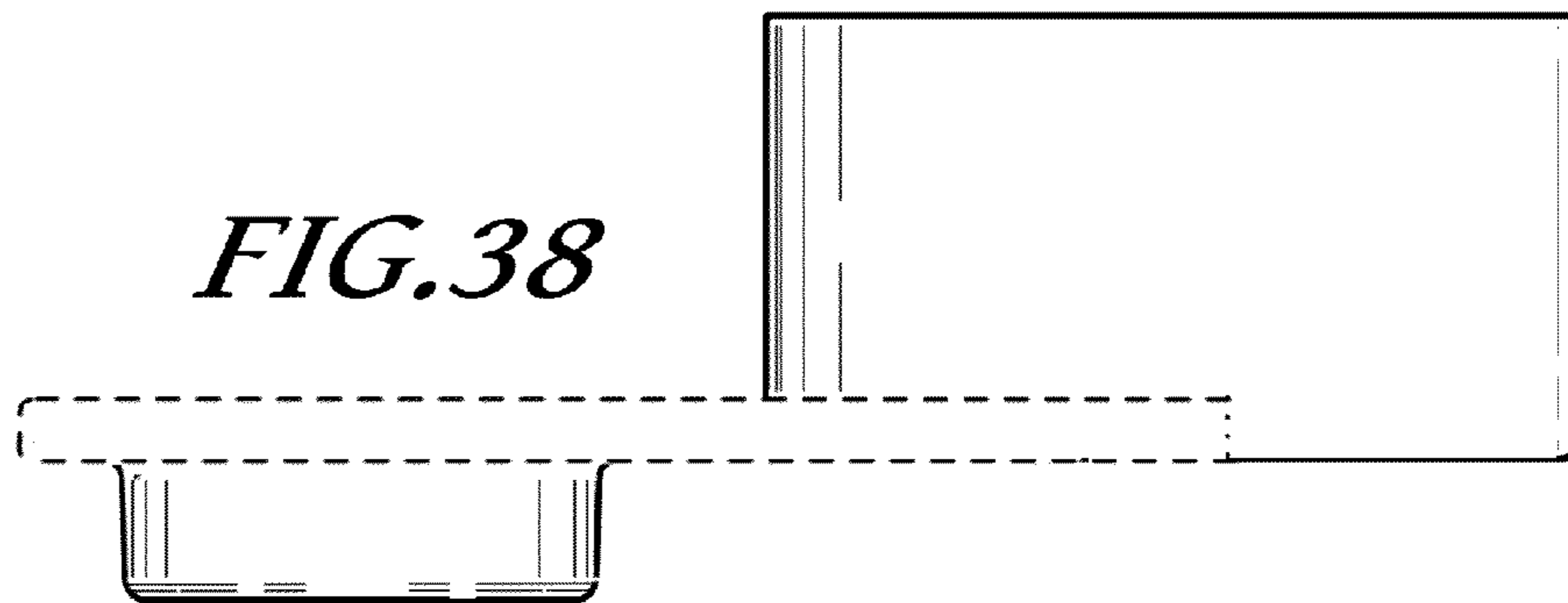


FIG. 35





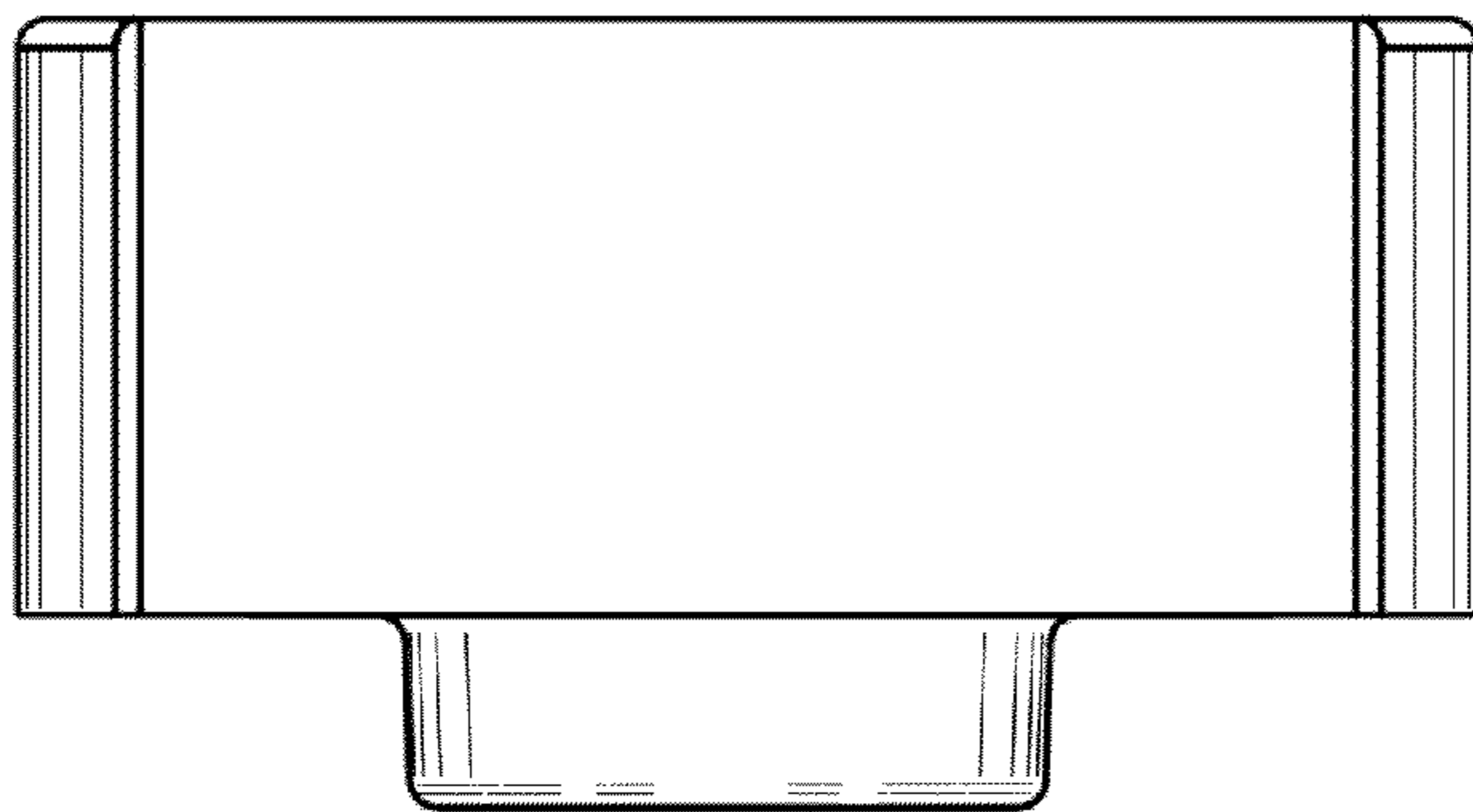
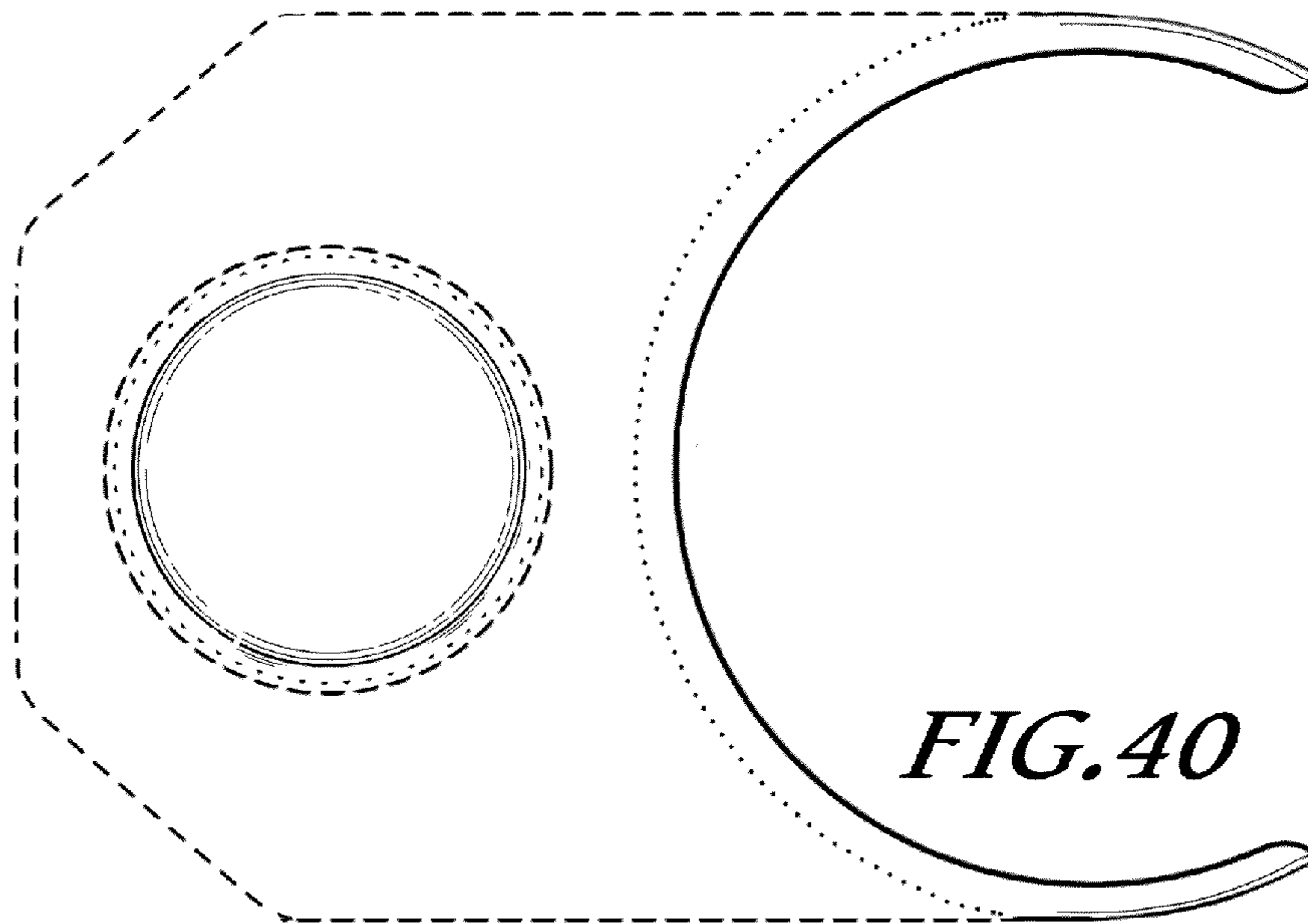
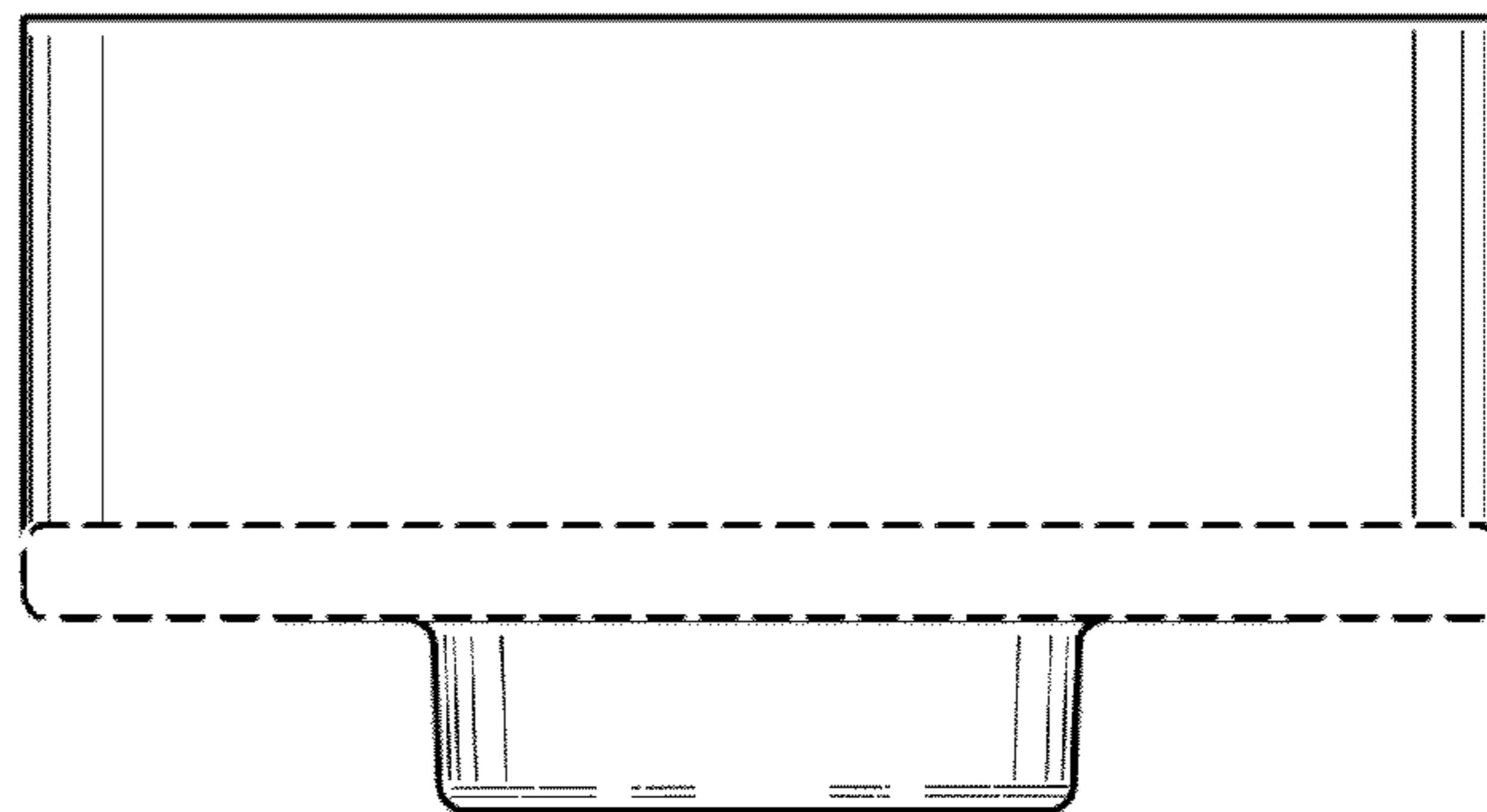
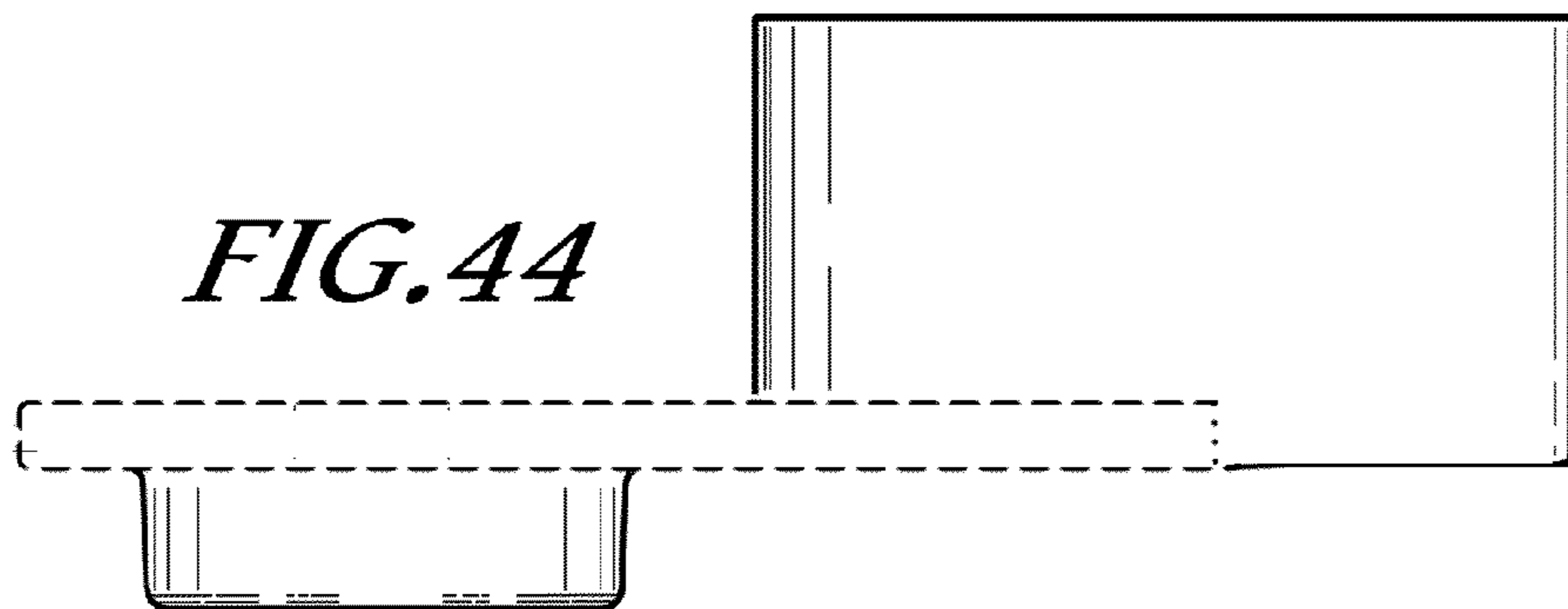
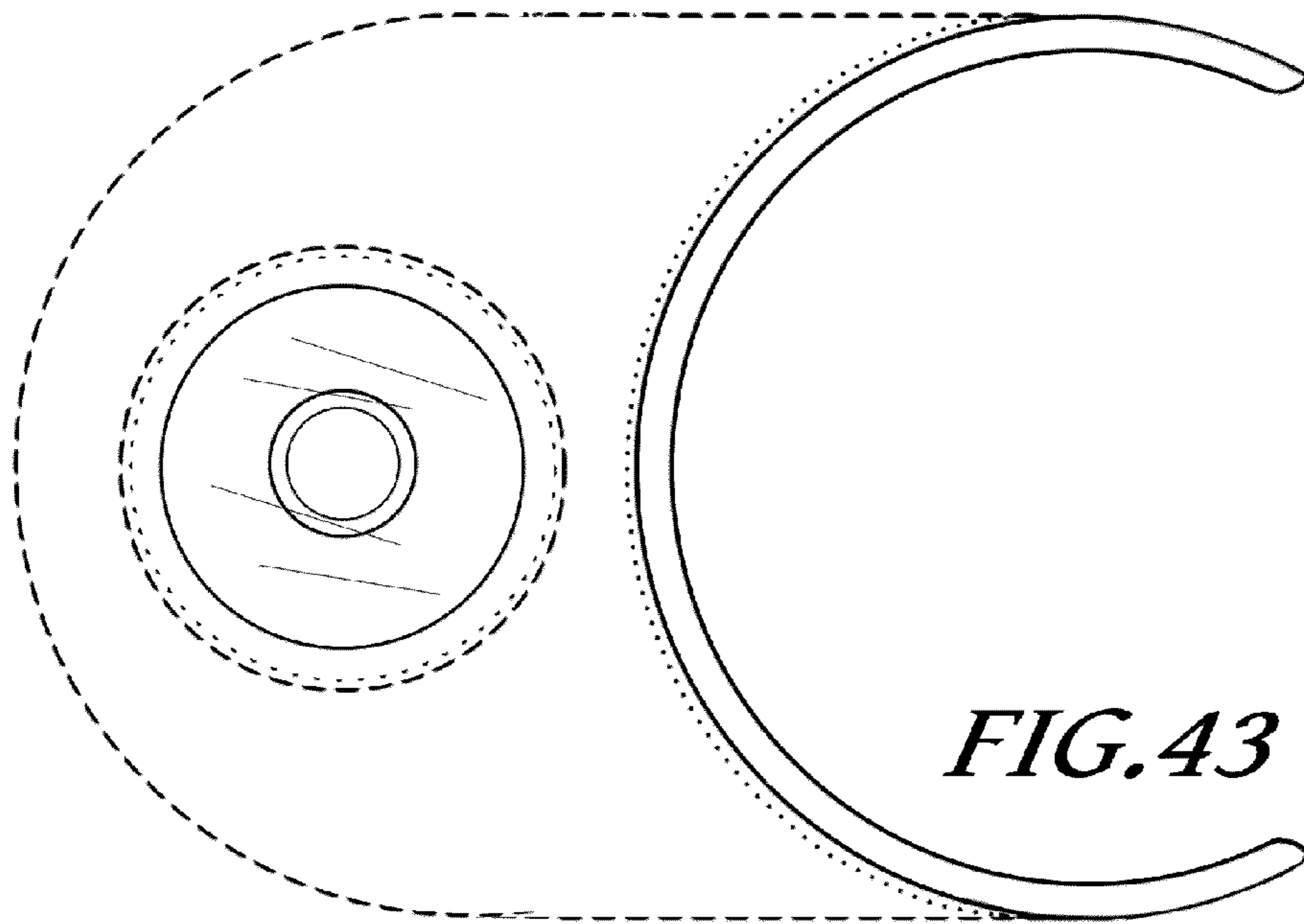


FIG. 42





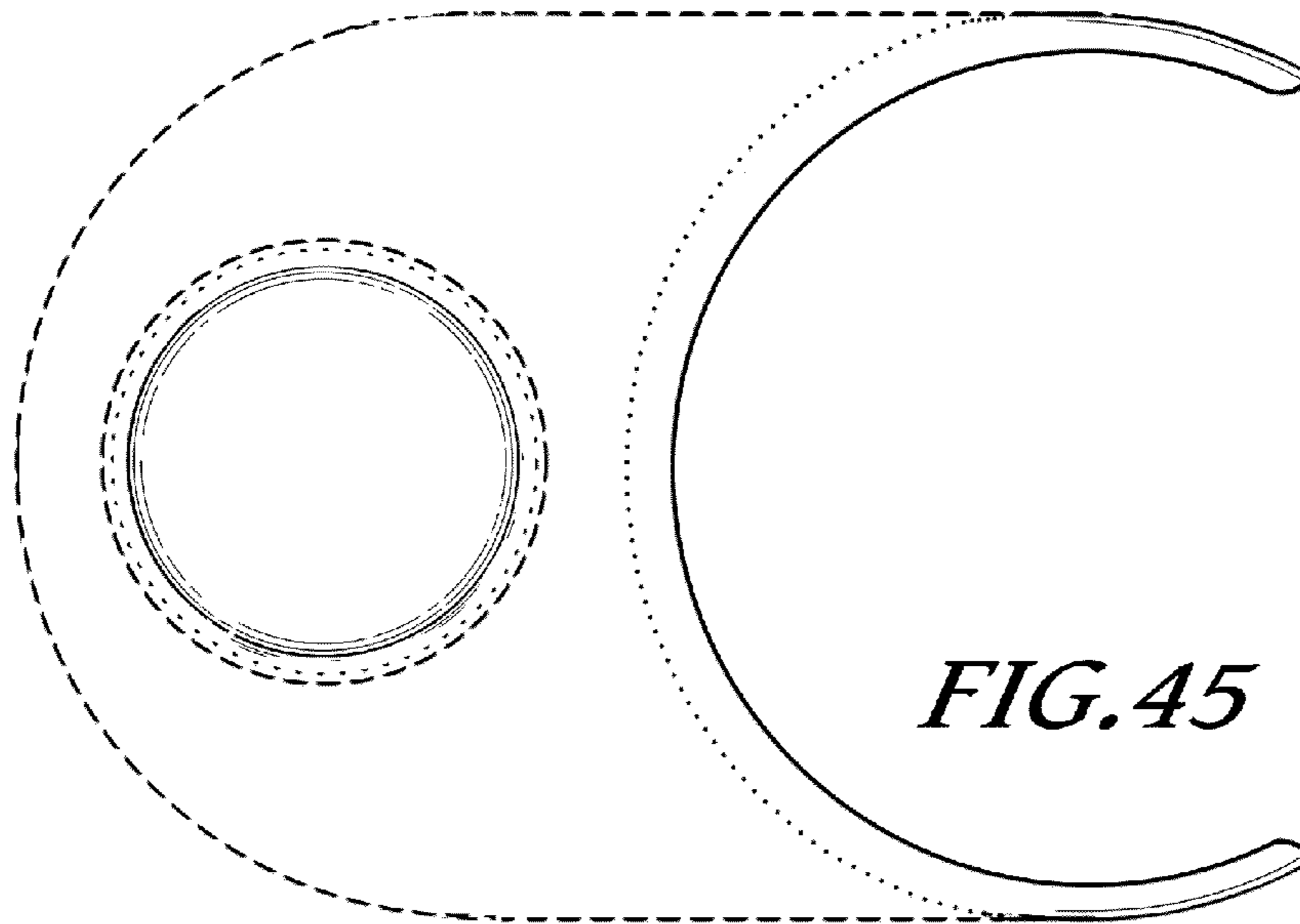


FIG. 45

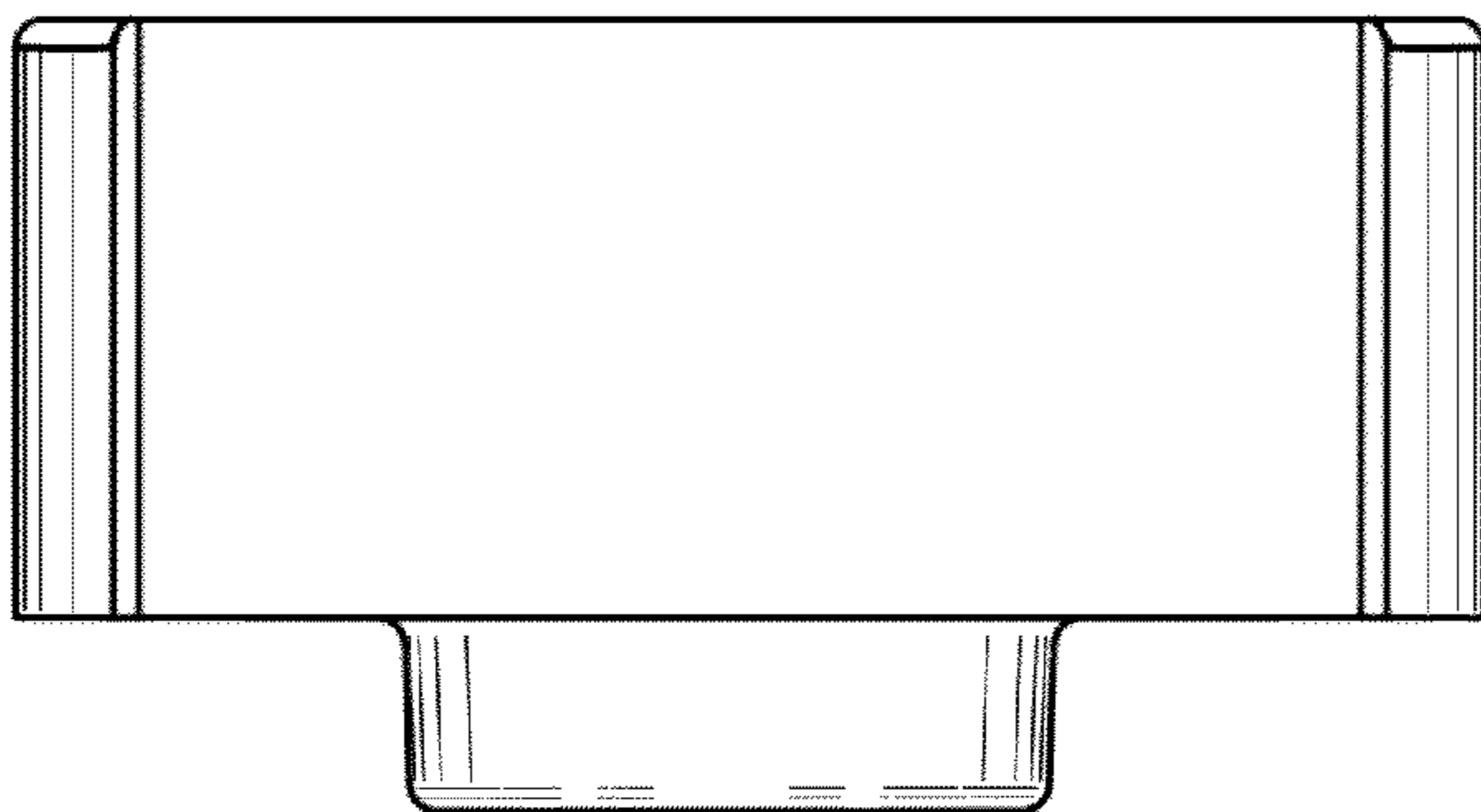
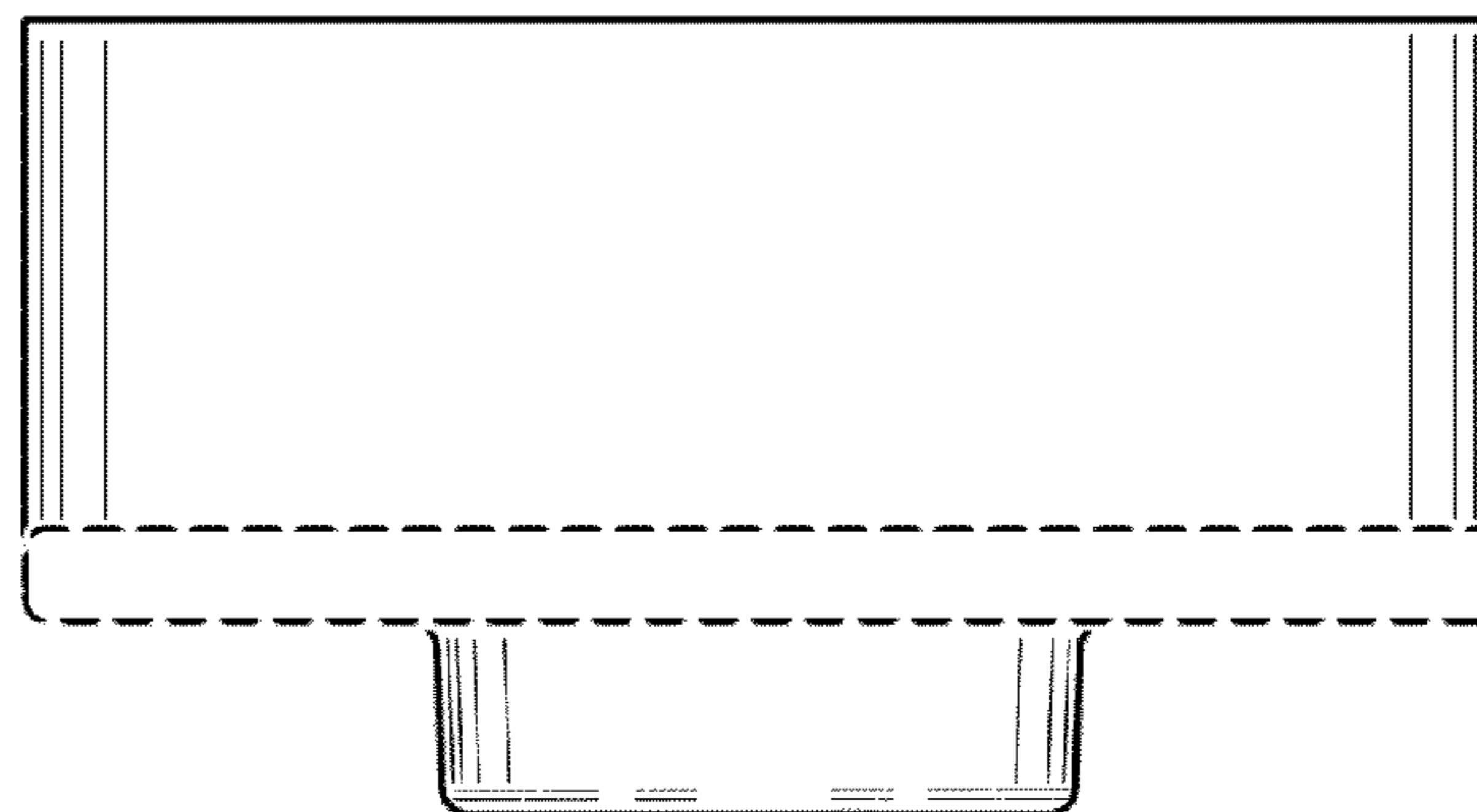
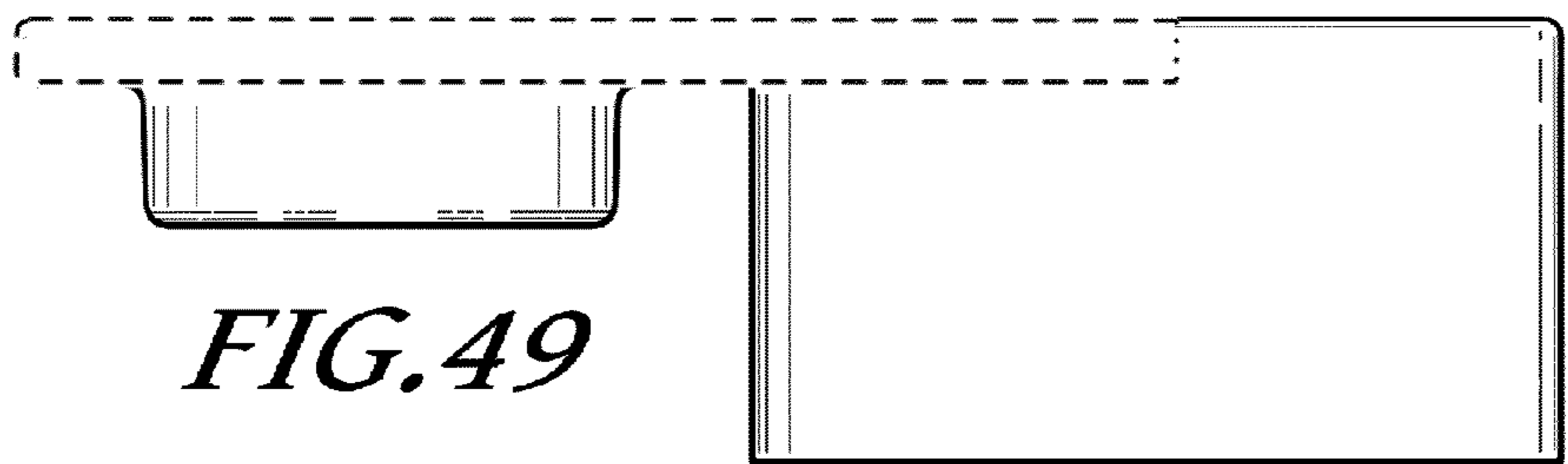
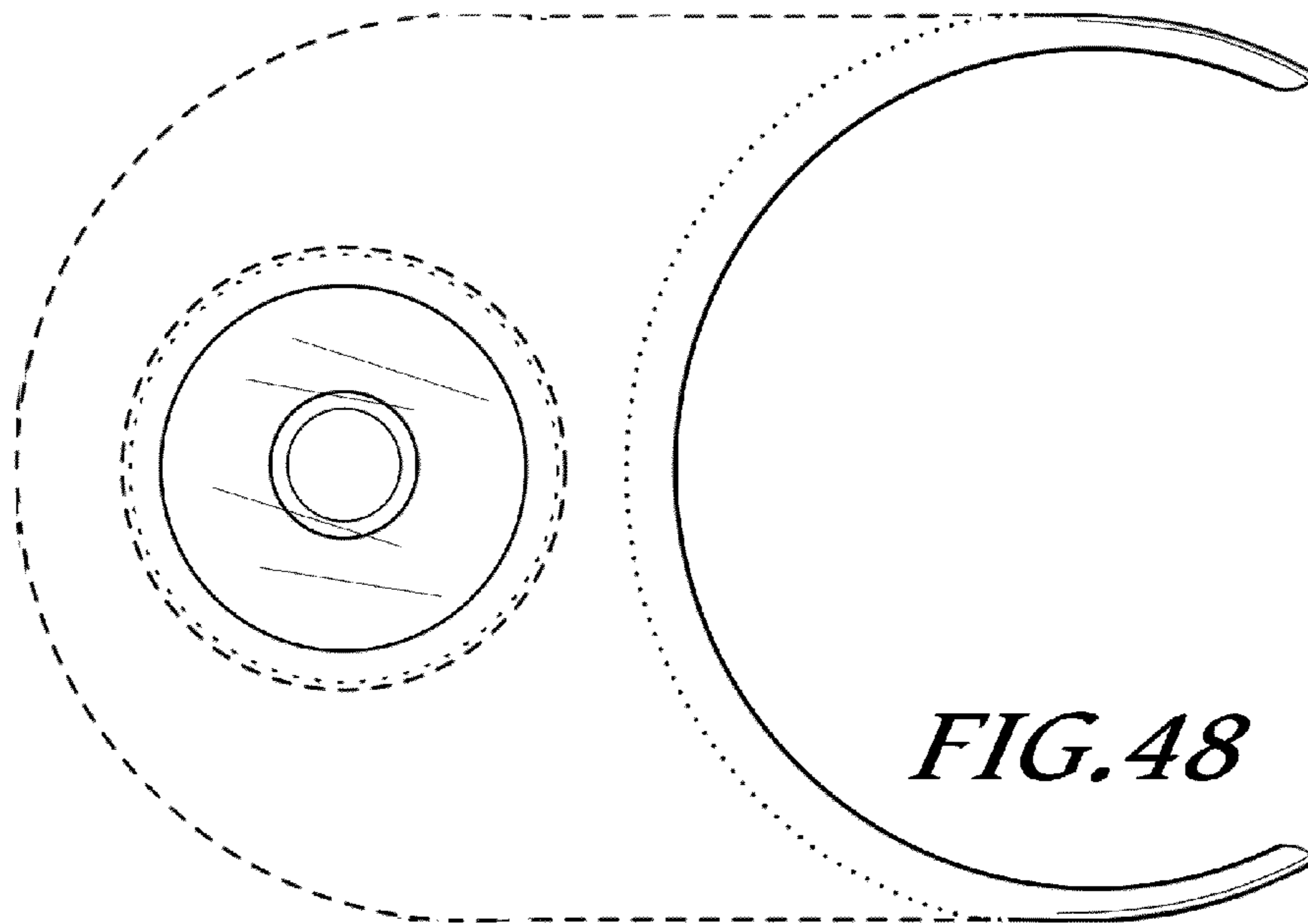


FIG. 46

FIG. 47





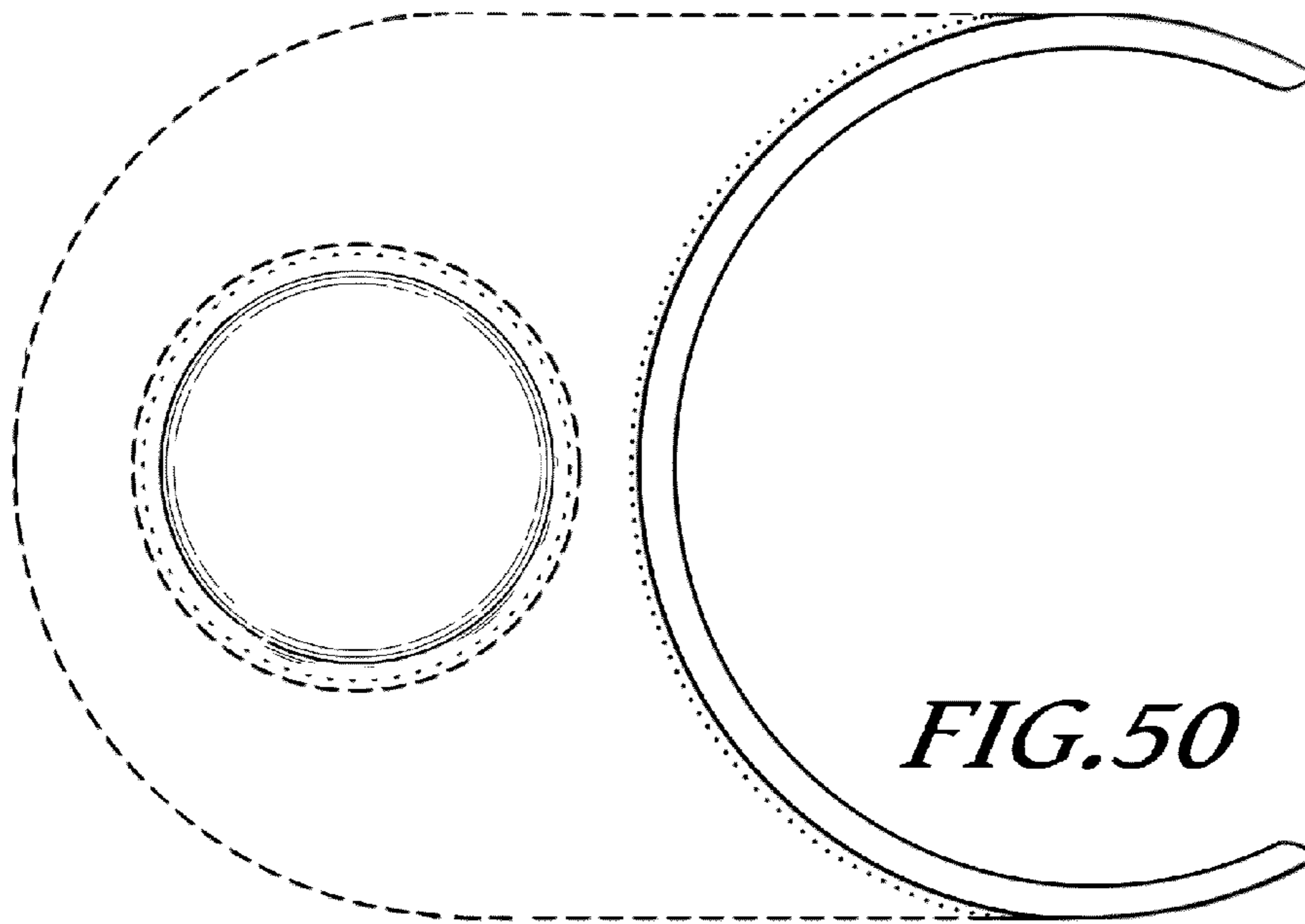


FIG. 51

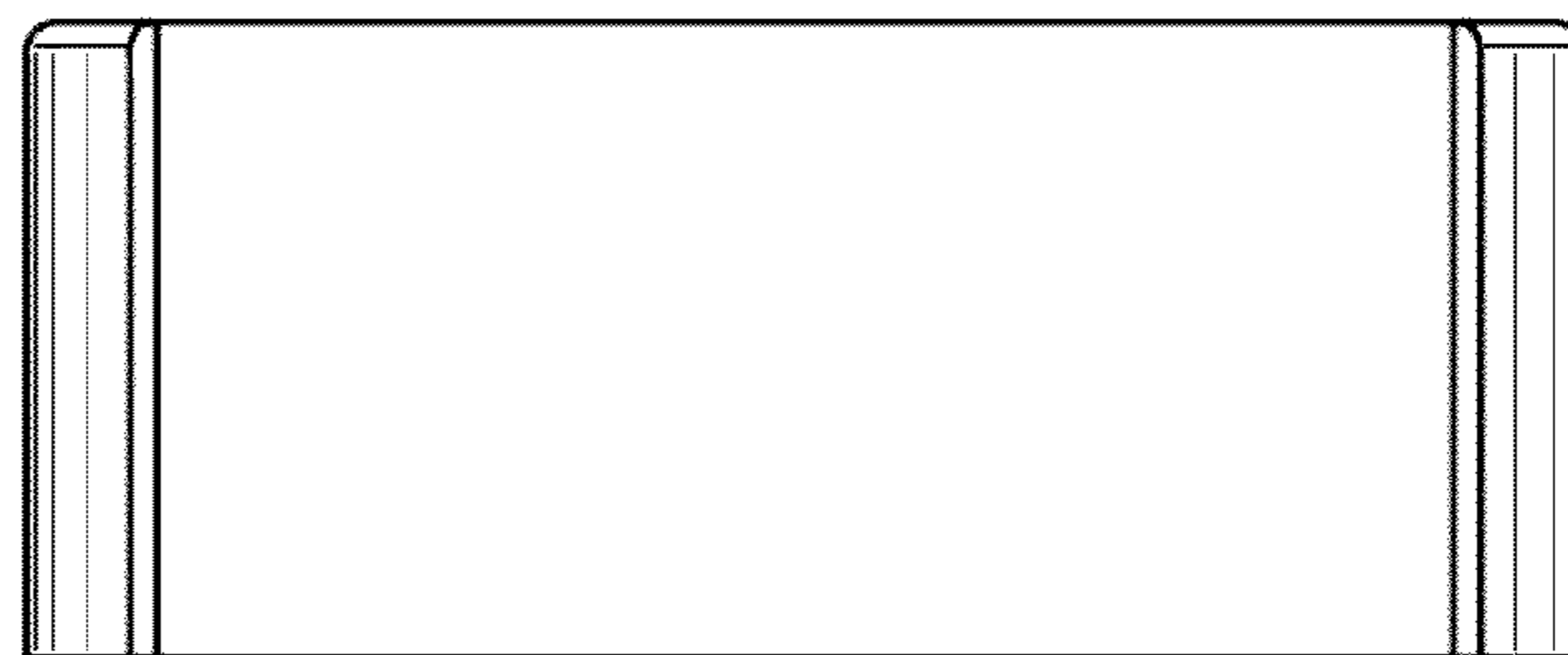


FIG. 52

