

US00D750757S

(12) **United States Design Patent**
Koelper et al.

(10) **Patent No.:** **US D750,757 S**
(45) **Date of Patent:** **** Mar. 1, 2016**

(54) **DUAL MATERIAL Y-CONNECTOR**

(71) Applicant: **Corpak MedSystems, Inc.**, Buffalo Grove, IL (US)
(72) Inventors: **Crystal E. Koelper**, North Barrington, IL (US); **John L. Morici**, Wauconda, IL (US)
(73) Assignee: **Corpak MedSystems, Inc.**, Buffalo Grove, IL (US)

(**) Term: **14 Years**

(21) Appl. No.: **29/510,178**

(22) Filed: **Nov. 25, 2014**

(51) **LOC (10) Cl.** **23-01**

(52) **U.S. Cl.**
USPC **D23/259**

(58) **Field of Classification Search**
USPC D23/259–263, 266–269, 233; 251/215, 251/216; 285/369, 372, 373, 417, 133.11, 285/133.3, 133.21, 133.4, 133.5, 133.6
CPC F16L 11/00; F16L 37/252; F16L 41/007; E03C 1/26; E03C 1/262; E03C 1/28; E03F 5/04; A61B 5/00; A61M 25/09016
See application file for complete search history.

(56) **References Cited**

U.S. PATENT DOCUMENTS

1,910,070 A * 5/1933 Spaeth F16L 37/252
141/382
D204,184 S * 3/1966 Schulze D23/263
3,346,887 A * 10/1967 Sommer E03C 1/122
285/129.1
3,376,897 A * 4/1968 Dolder F16L 41/023
137/861
3,894,302 A * 7/1975 Lasater E03C 1/1225
138/37
4,162,546 A * 7/1979 Shortell D06F 39/083
137/602

4,480,656 A * 11/1984 Johnson D06F 39/08
134/186
5,104,150 A * 4/1992 Bard F16L 19/062
138/89
5,257,826 A * 11/1993 Prassas F16L 47/04
285/12
5,344,193 A * 9/1994 Rio F16L 35/00
137/312
D389,562 S * 1/1998 Picton D23/263
D456,494 S * 4/2002 Whitfield D23/259
6,442,876 B1 * 9/2002 Morse E01H 5/10
37/196
D612,918 S * 3/2010 Alcebo D23/266
D654,990 S * 2/2012 Coley D23/266
D658,273 S * 4/2012 Cardo D23/263

* cited by examiner

Primary Examiner — Sandra Snapp

(74) *Attorney, Agent, or Firm* — K&L Gates LLP

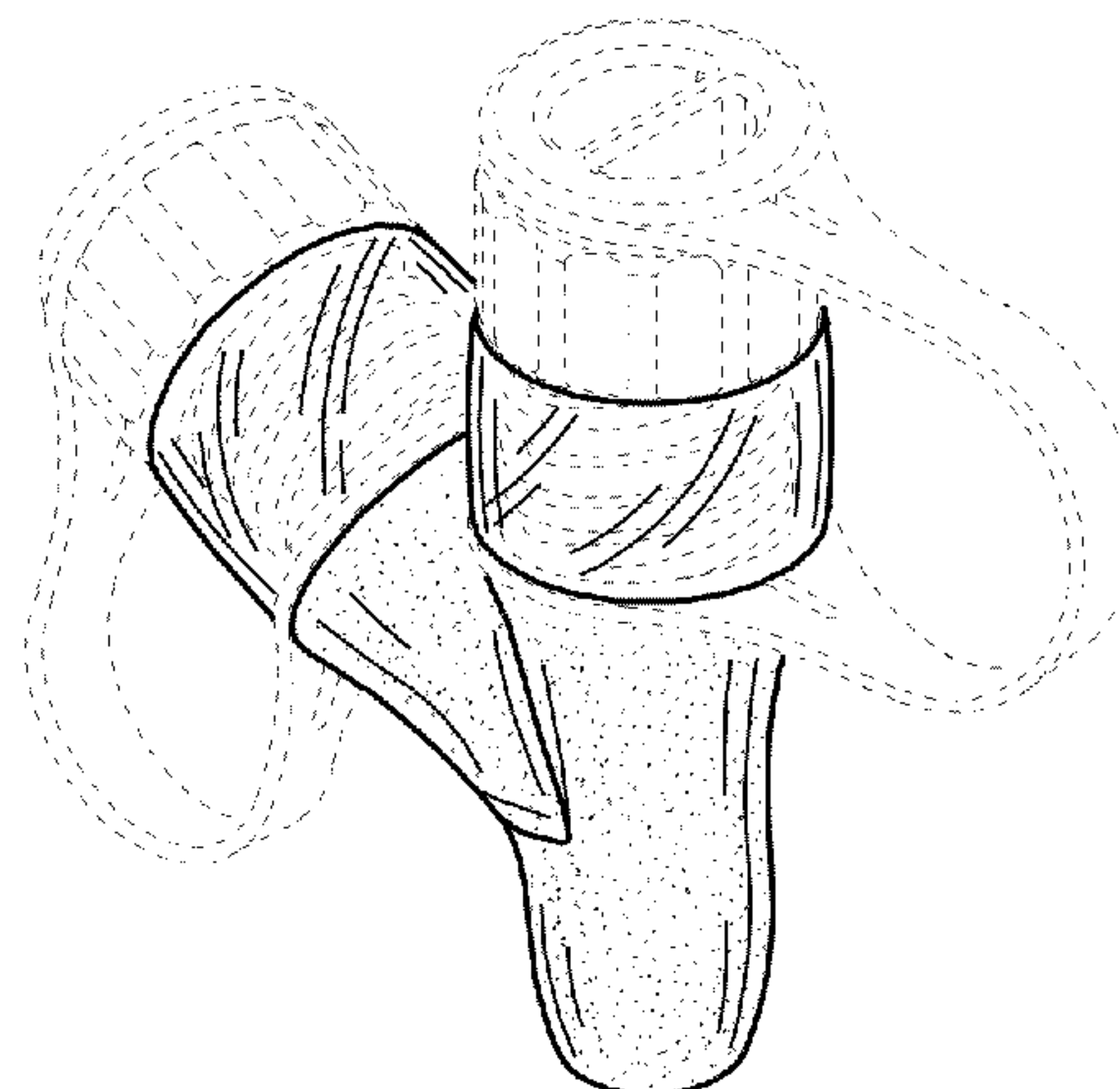
(57) **CLAIM**

The ornamental design for a dual material Y-connector, as shown and described.

DESCRIPTION

FIG. 1 illustrates a perspective view of a dual material Y-connector according to the present invention; FIG. 2 illustrates a front side elevational view thereof; FIG. 3 illustrates a back side elevational view thereof; FIG. 4 illustrates a right side elevational view thereof; FIG. 5 illustrates a left side elevational view thereof; FIG. 6 illustrates a top plan view thereof; FIG. 7 illustrates a bottom plan view thereof; and, FIG. 8 illustrates a front side elevational view thereof, in which the primary and secondary arms are uncapped. The ornamental design that is claimed is shown in solid lines in the drawings. Any broken lines in the drawings are for illustrative purposes only and form no part of the claimed design.

1 Claim, 4 Drawing Sheets



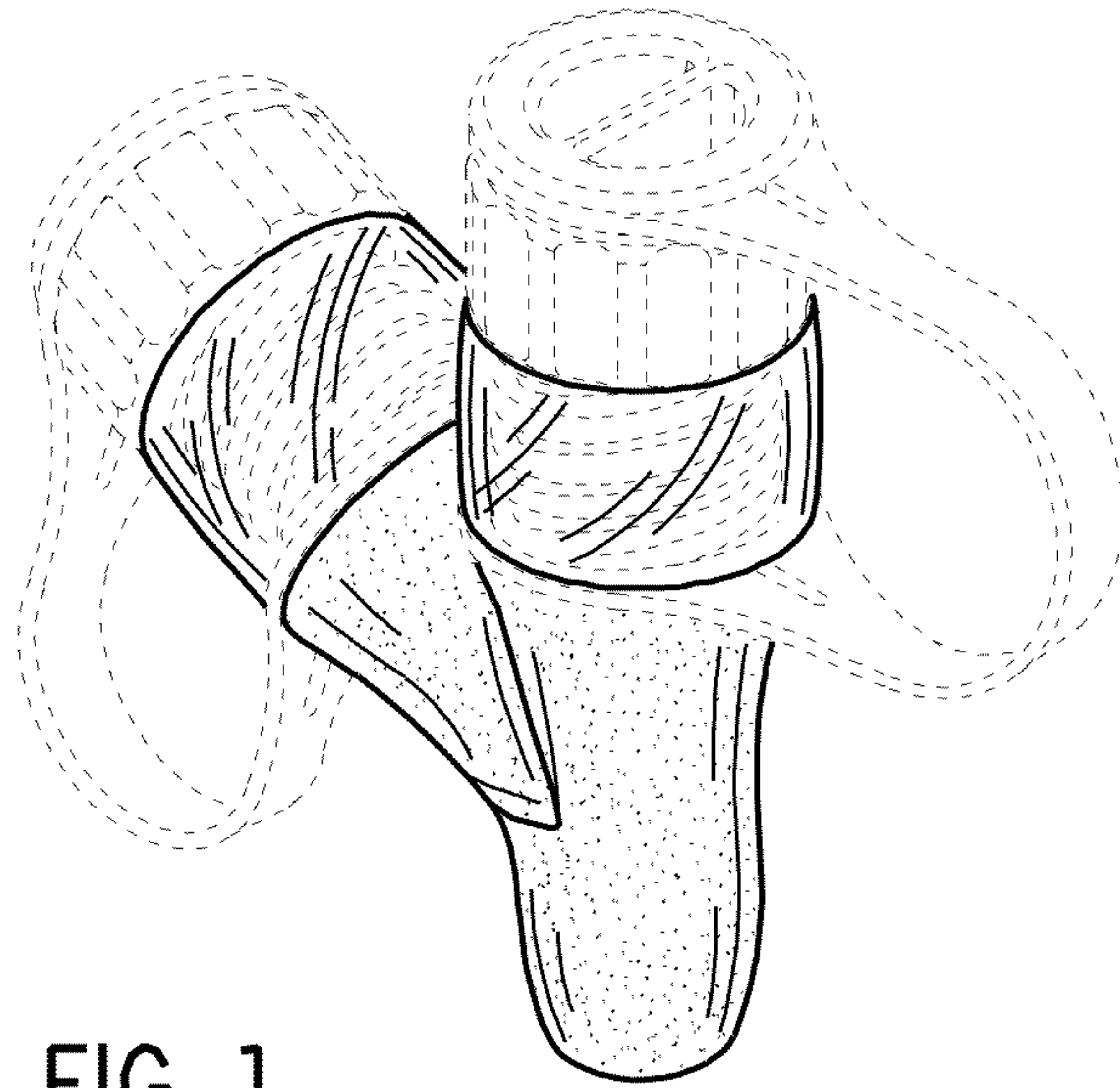


FIG. 1

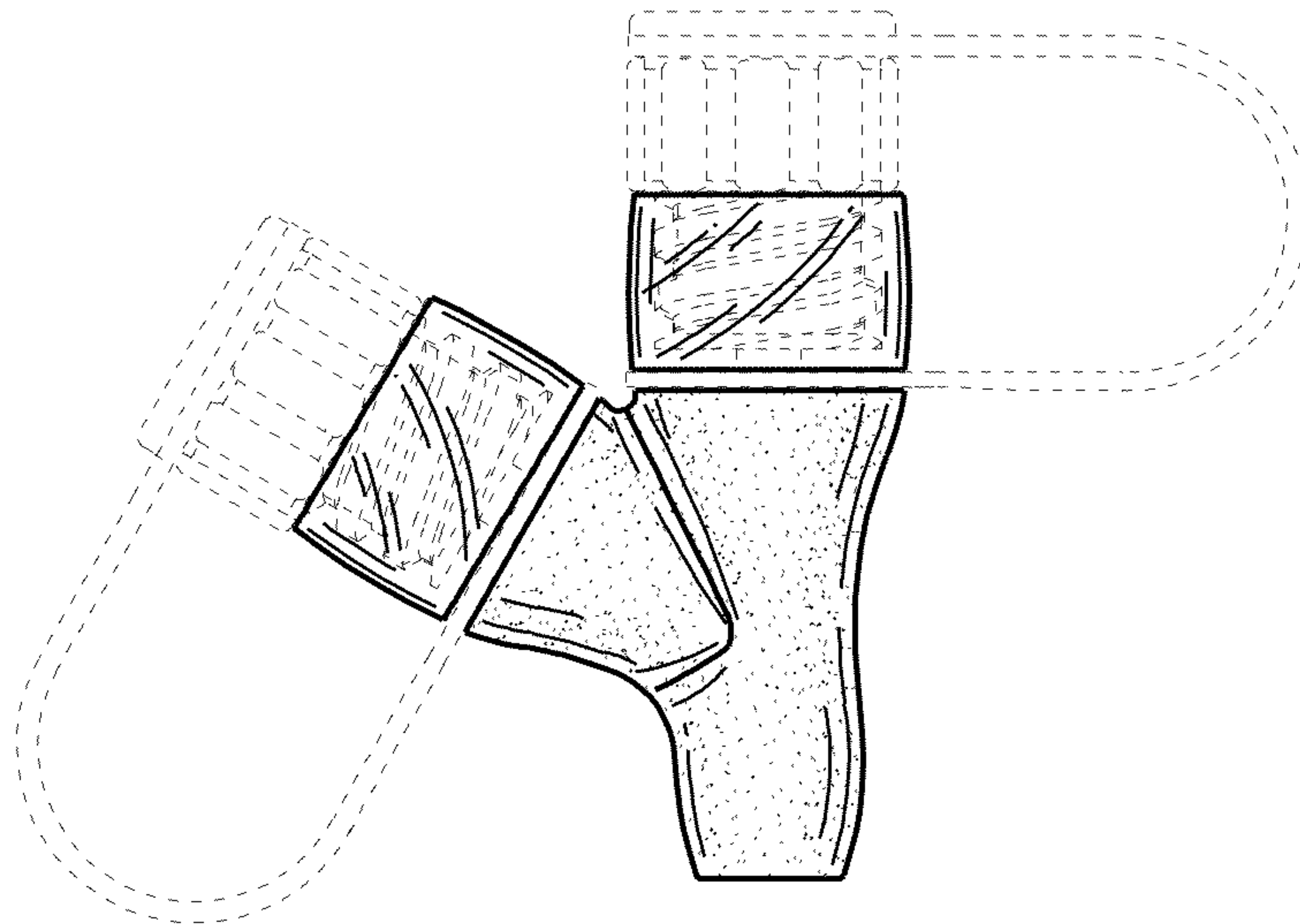


FIG. 2

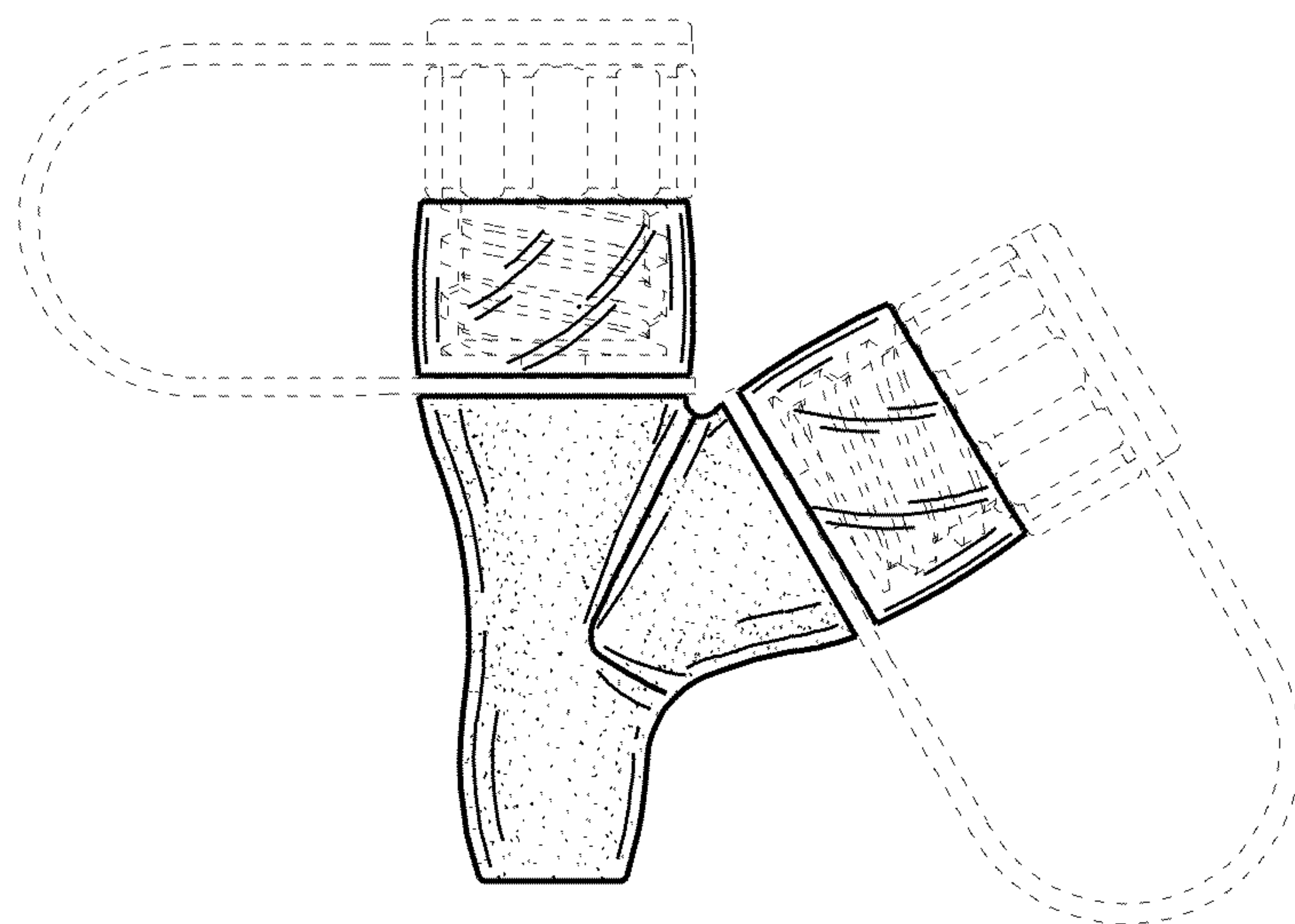


FIG. 3

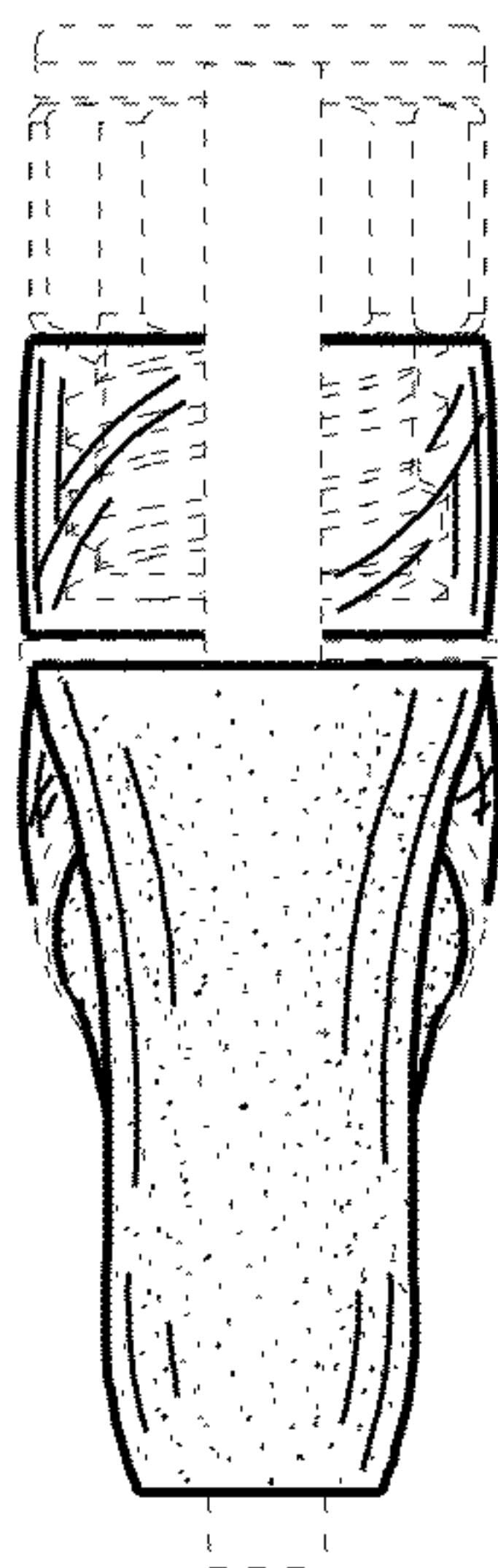


FIG. 4

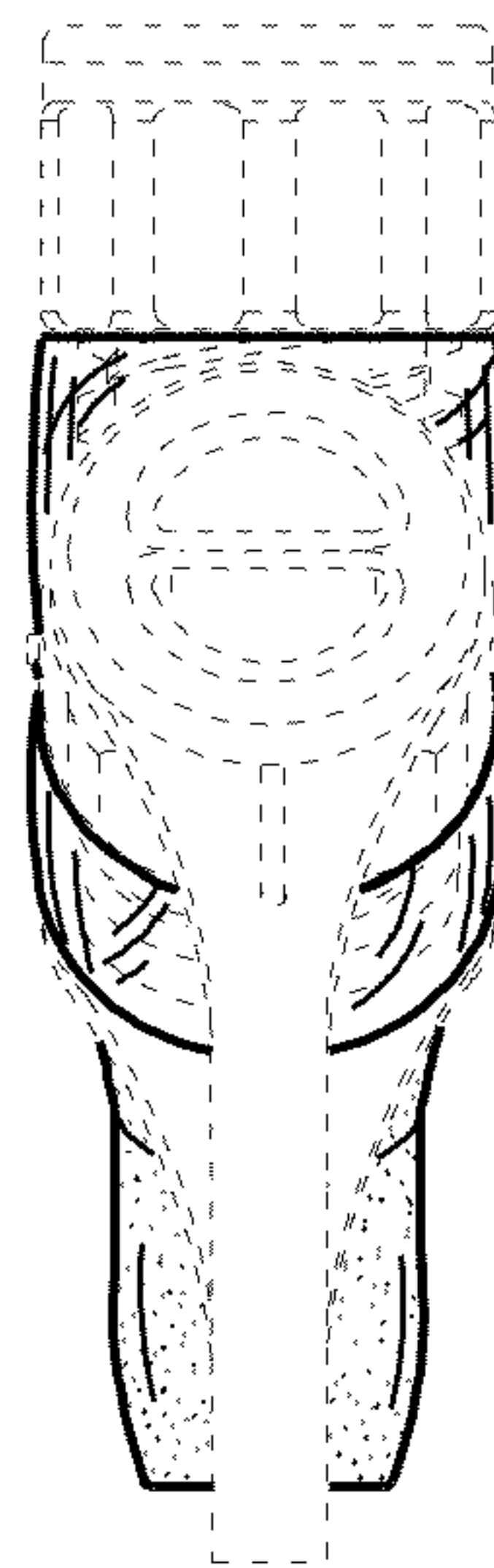


FIG. 5

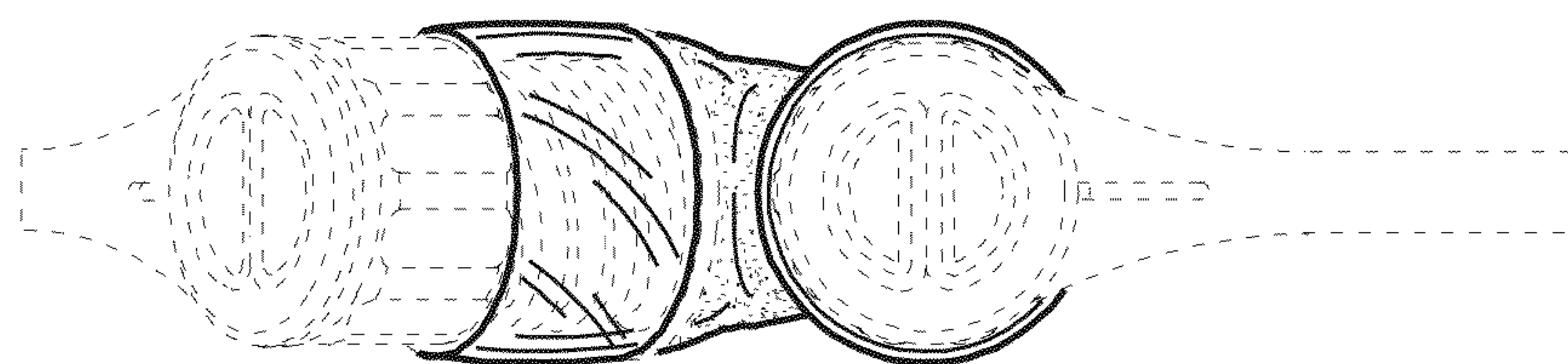


FIG. 6

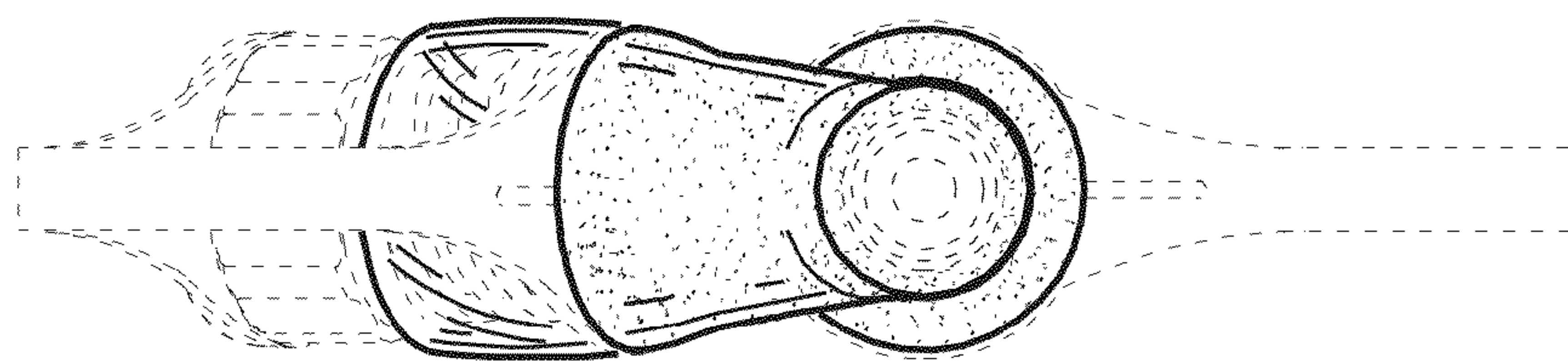


FIG. 7

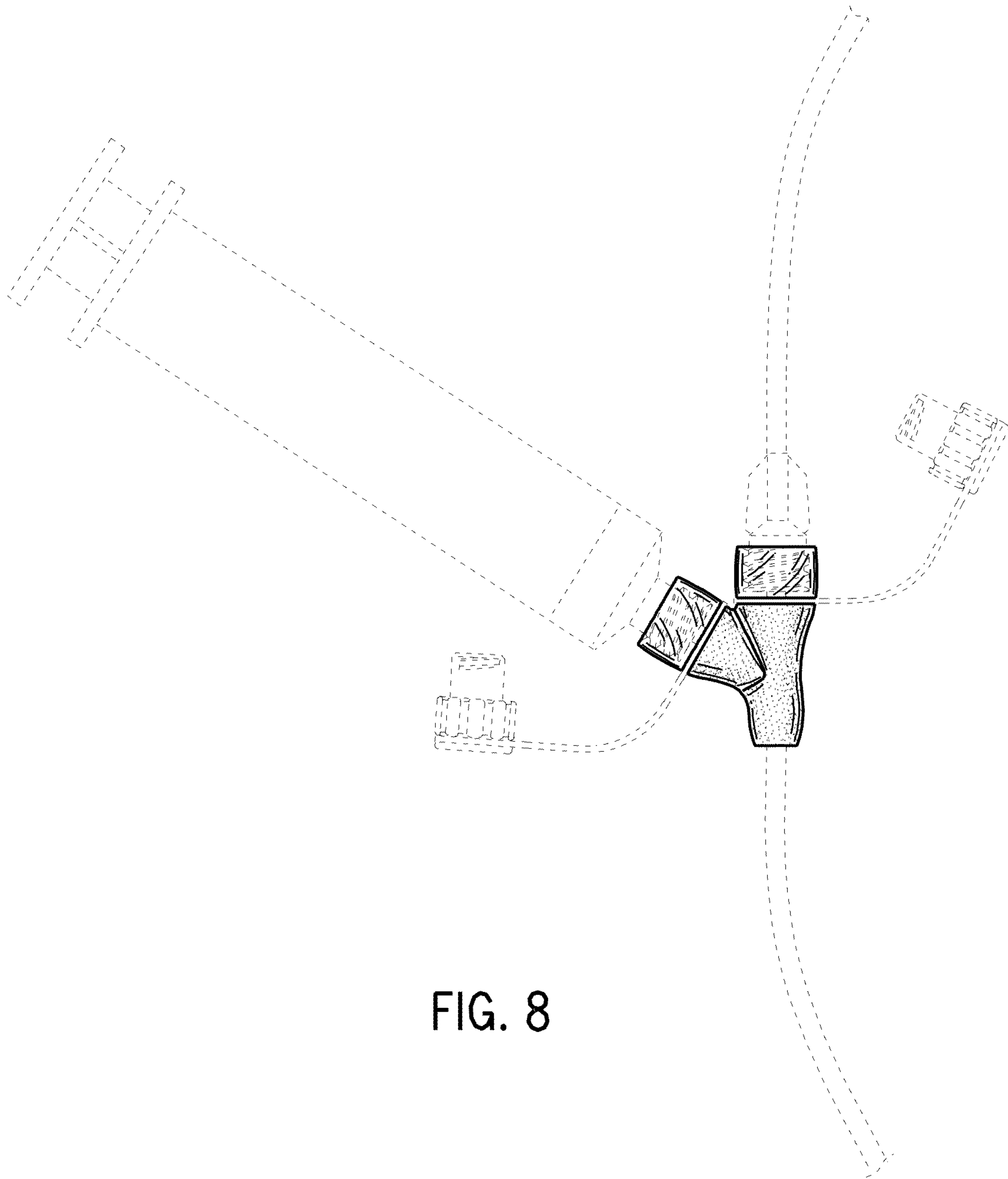


FIG. 8