



US00D750747S

(12) **United States Design Patent**  
**Park et al.**

(10) **Patent No.:** **US D750,747 S**  
(45) **Date of Patent:** **\*\* Mar. 1, 2016**

(54) **HOUSING FOR A WATER TREATMENT SYSTEM CONTROL VALVE**

(71) Applicants: **Stuart L. Park**, Chardon, OH (US);  
**Francis A. Red**, Parma, OH (US)

(72) Inventors: **Stuart L. Park**, Chardon, OH (US);  
**Francis A. Red**, Parma, OH (US)

(73) Assignee: **Kinetico Incorporated**, Newbury, OH (US)

(\*\*) Term: **15 Years**

(21) Appl. No.: **29/533,312**

(22) Filed: **Jul. 16, 2015**

**Related U.S. Application Data**

(62) Division of application No. 29/480,782, filed on Jan. 29, 2014, now Pat. No. Des. 736,890, which is a division of application No. 29/405,219, filed on Oct. 31, 2011, now Pat. No. Des. 700,283.

(51) **LOC (10) Cl.** ..... **23-01**

(52) **U.S. Cl.**  
USPC ..... **D23/233**

(58) **Field of Classification Search**  
USPC ..... D23/233–237, 244–249; 137/624.14, 137/624.18, 625.46, 557; 251/59, 30.05; 210/87, 88, 89, 190–192, 288, 662  
CPC ..... F16K 15/06; F16K 15/02; F16K 11/074; F16K 11/0743; F16K 37/0066; F16K 37/00  
See application file for complete search history.

(56) **References Cited**

**U.S. PATENT DOCUMENTS**

3,208,476 A 9/1965 Clack  
D215,438 S 10/1969 Holm

3,687,269 A 8/1972 Fritz et al.  
3,891,552 A 6/1975 Prior et al.  
D271,421 S 11/1983 Fetterman  
5,910,244 A 6/1999 Stamos et al.  
6,189,556 B1 2/2001 Blake et al.  
6,214,214 B1 4/2001 Hansen et al.  
D495,030 S 8/2004 Lillback  
D499,170 S 11/2004 Park  
D511,559 S 11/2005 Lillback  
D518,876 S 4/2006 Park  
D538,890 S 3/2007 Park  
D674,467 S 1/2013 Weingarten  
D674,468 S 1/2013 Weingarten  
D687,124 S 7/2013 Weingarten  
D700,283 S 2/2014 Park et al.  
D736,890 S \* 8/2015 Park ..... D23/233

\* cited by examiner

*Primary Examiner* — Cynthia Ramirez

(74) *Attorney, Agent, or Firm* — Tarolli, Sundheim, Covell & Tummino LLP

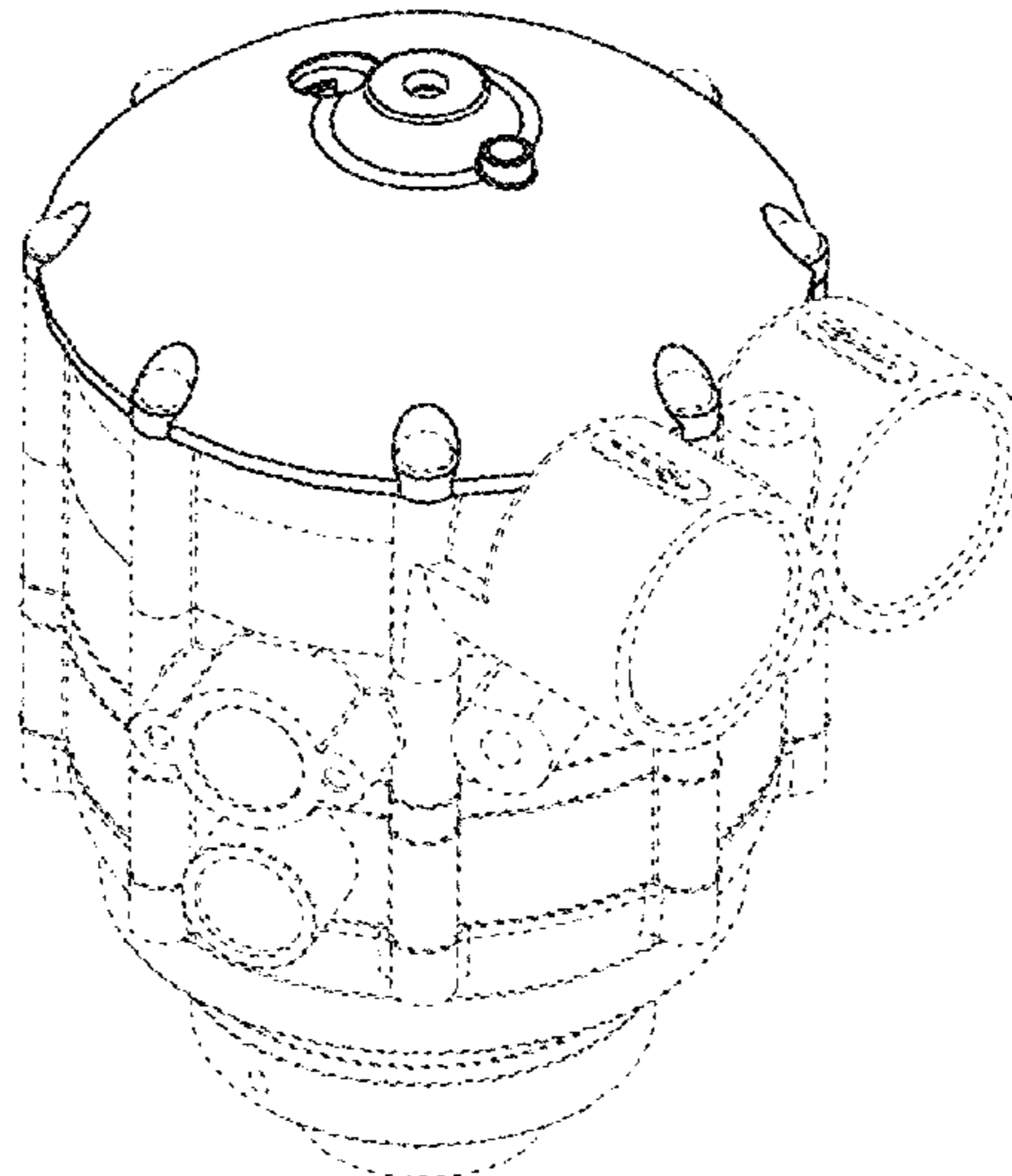
(57) **CLAIM**

We claim the ornamental design for a housing for a water treatment system control valve, as shown and described.

**DESCRIPTION**

FIG. 1 is a perspective view of a housing for a water treatment system control valve of the present invention; FIG. 2 is a top plan view of the housing shown in FIG. 1; FIG. 3 is a rear side elevational view of the housing; FIG. 4 is a left side elevational view of the housing; FIG. 5 is a front side elevational view of the housing; FIG. 6 is a right side elevational view of the housing; and, FIG. 7 is bottom view of the housing shown in FIG. 1. The broken line shown in the figures are included for the purpose of illustrating environment and form no part of the claimed design.

**1 Claim, 3 Drawing Sheets**



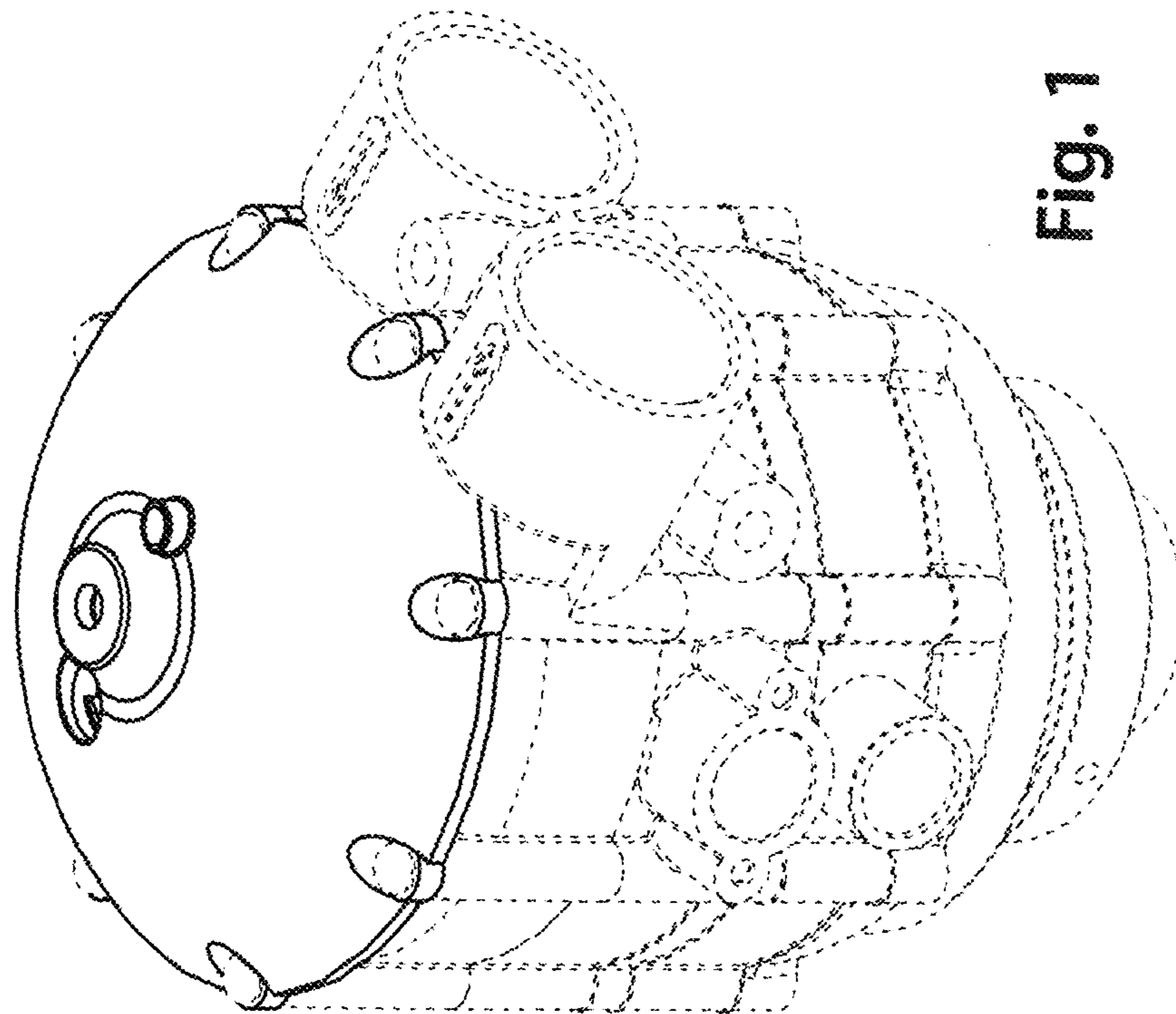


Fig. 1

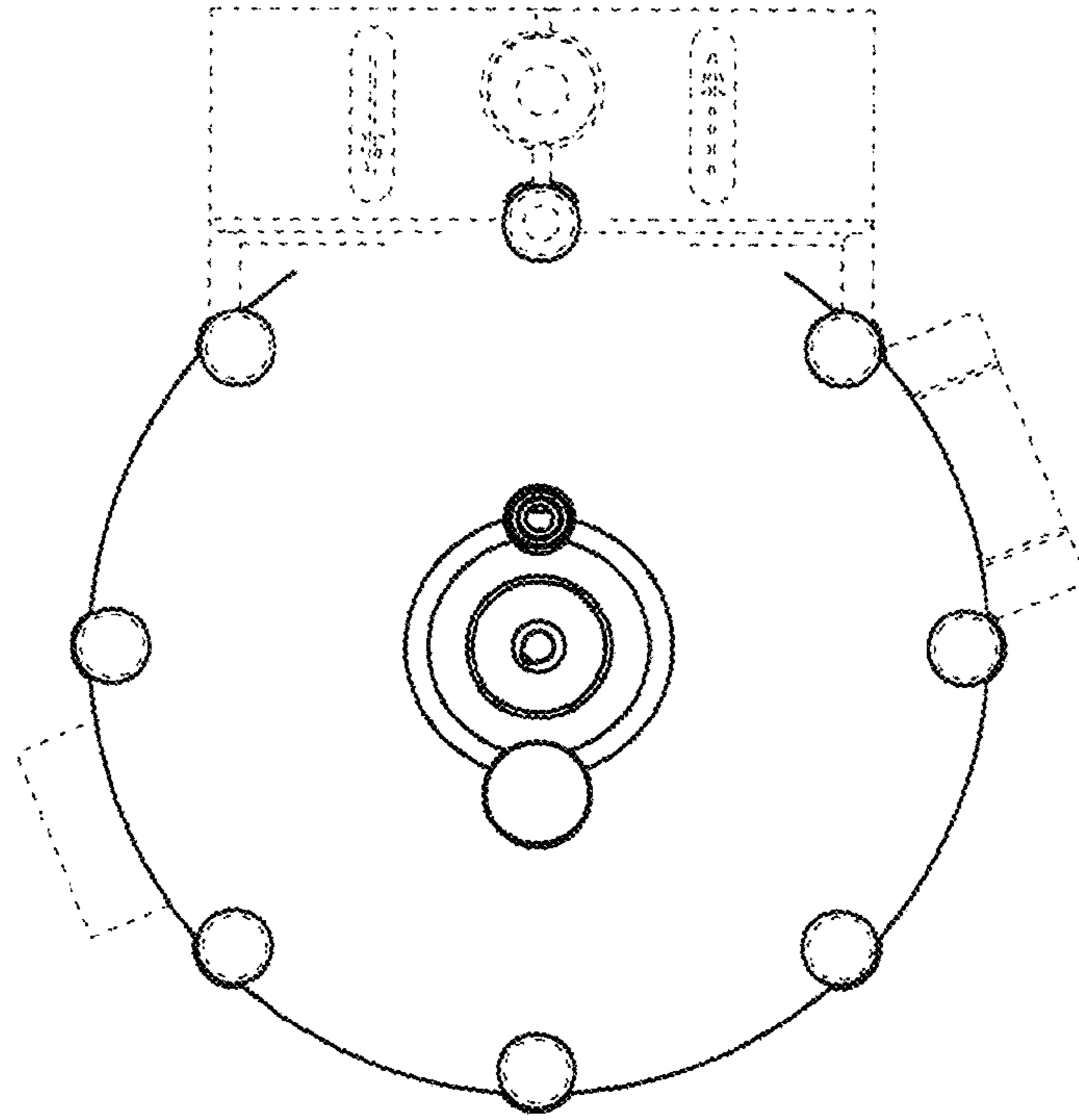


Fig. 2

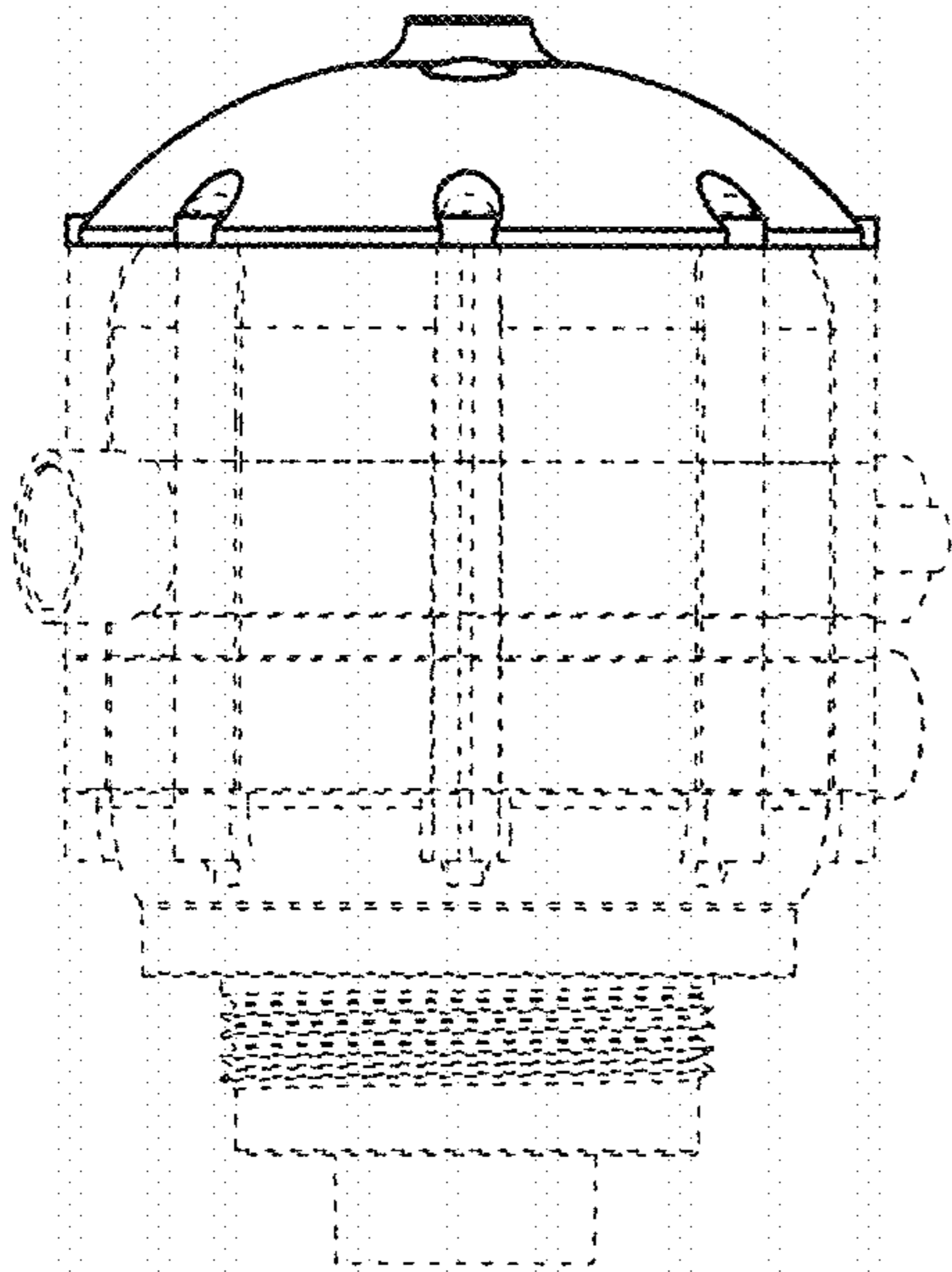


Fig. 3

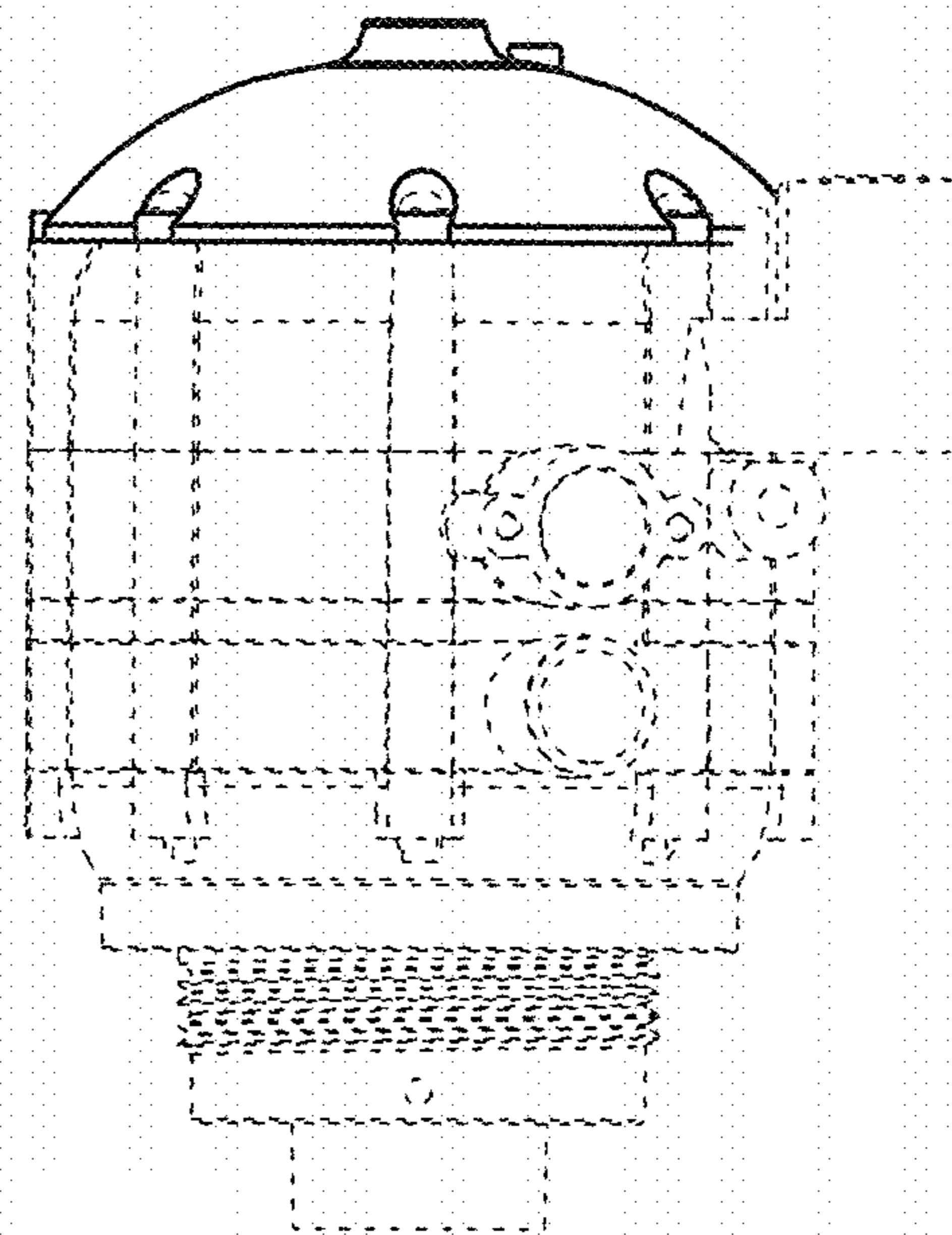


Fig. 4

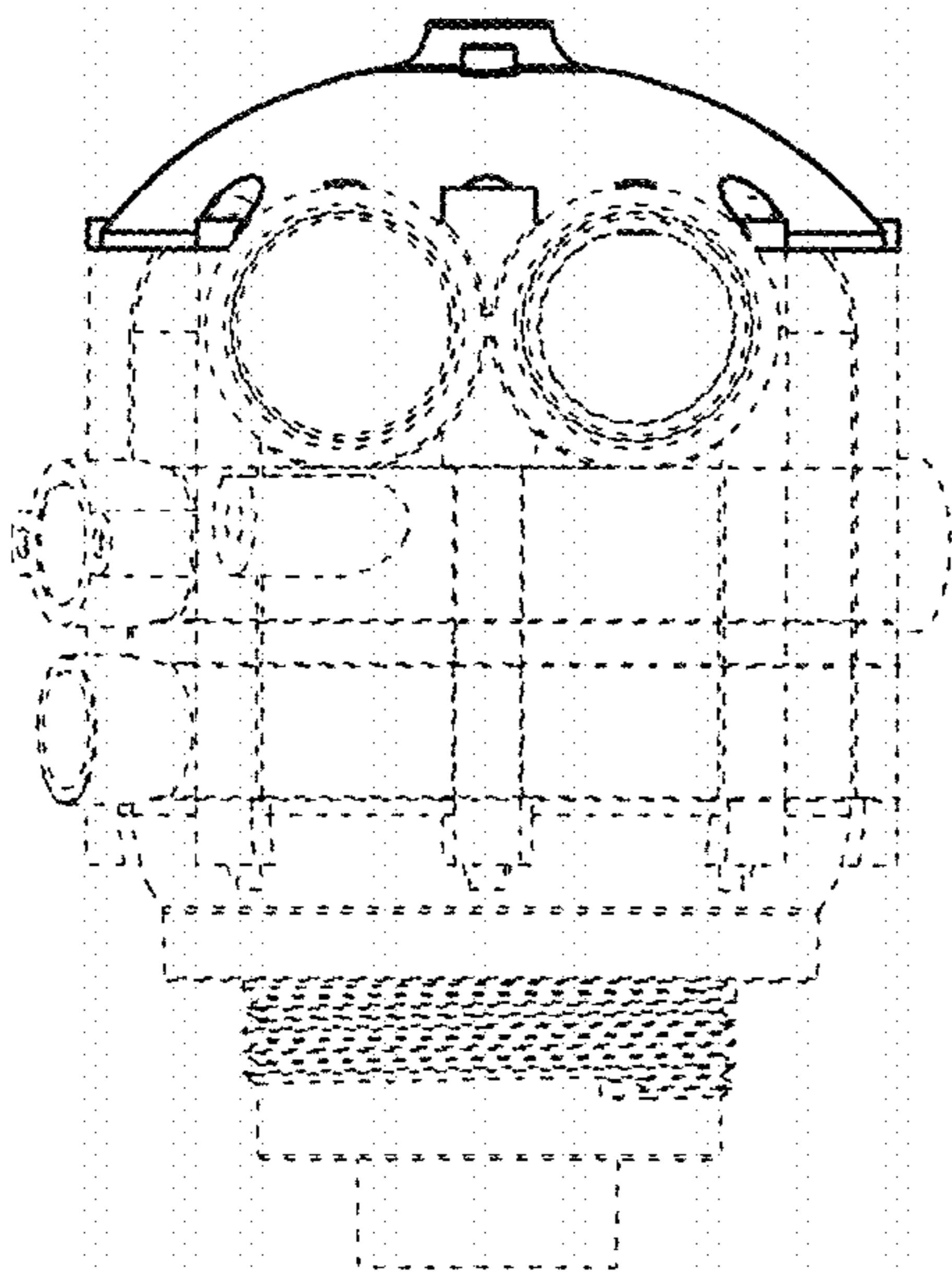


Fig. 5

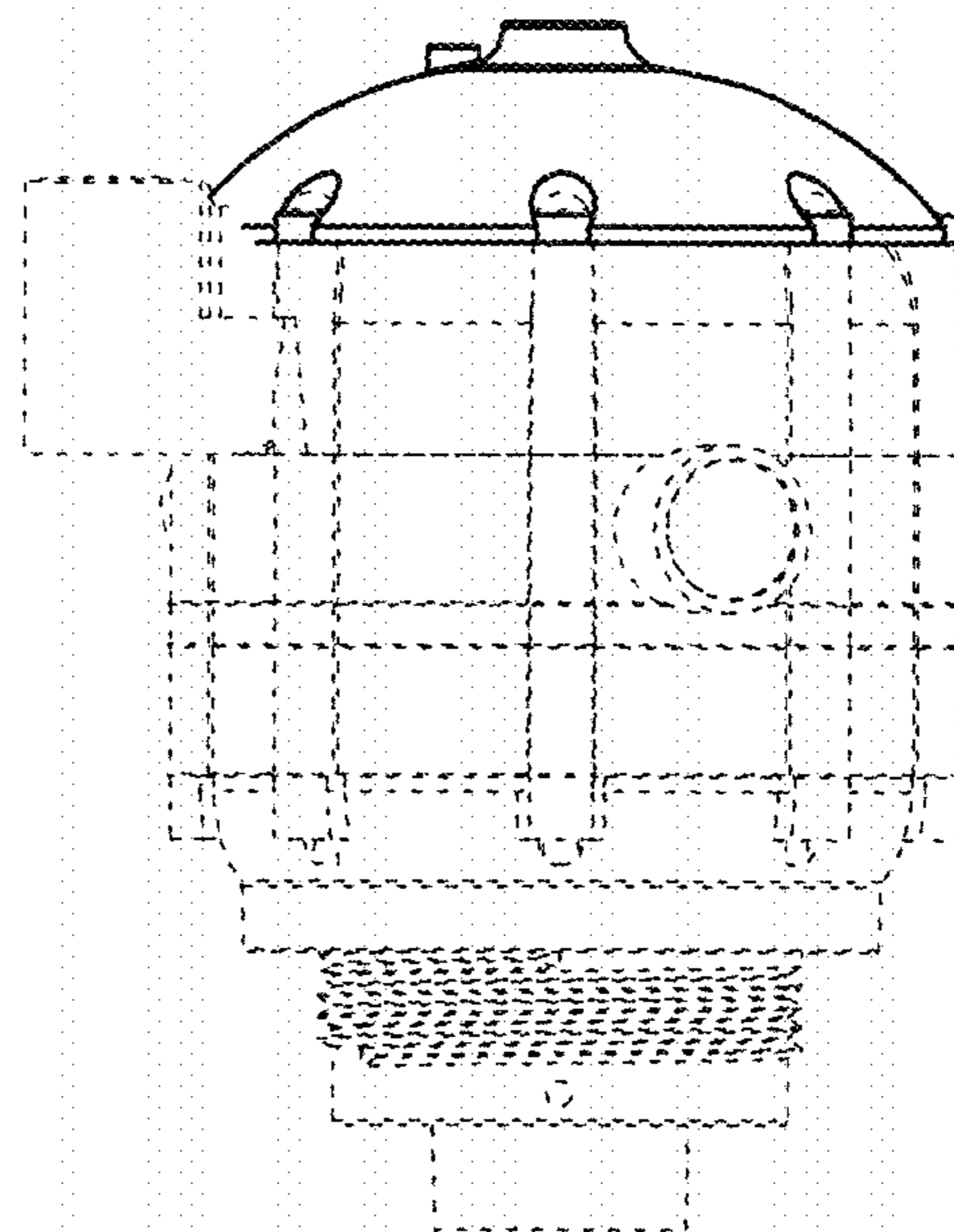
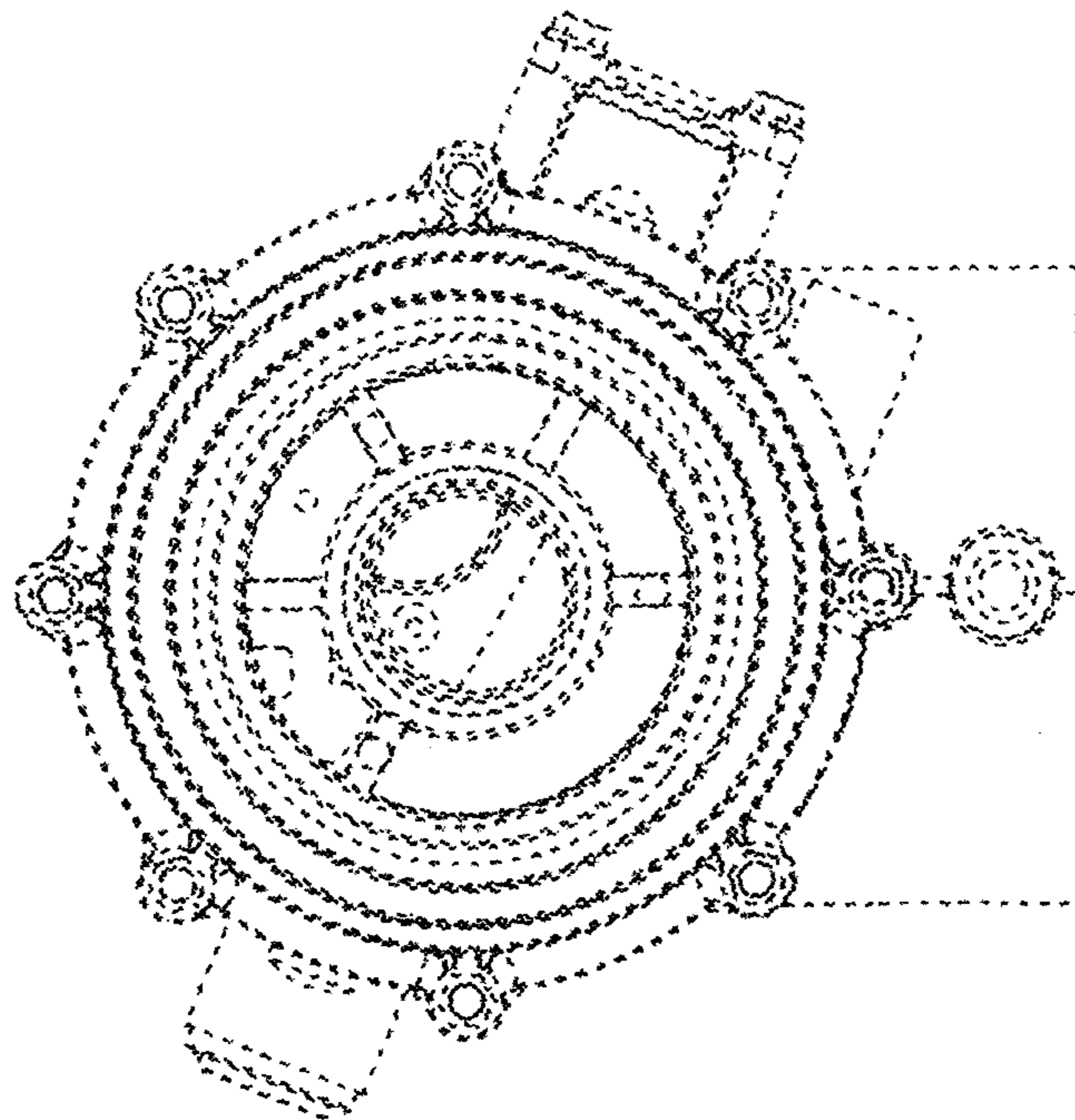


Fig. 6





**Fig. 7**