



US00D750745S

(12) **United States Design Patent**  
**Sato et al.**

(10) **Patent No.:** **US D750,745 S**  
(45) **Date of Patent:** **\*\* Mar. 1, 2016**

(54) **ELECTROMAGNETIC VALVE**

(71) Applicants: **Hideharu Sato**, Tsukubamirai (JP);  
**Yoshitada Doi**, Tsukubamirai (JP);  
**Masaya Sugimoto**, Tsukubamirai (JP)

(72) Inventors: **Hideharu Sato**, Tsukubamirai (JP);  
**Yoshitada Doi**, Tsukubamirai (JP);  
**Masaya Sugimoto**, Tsukubamirai (JP)

(73) Assignee: **SMC Corporation**, Chyoda-ku, Tokyo  
(JP)

(\*\*) Term: **14 Years**

(21) Appl. No.: **29/516,389**

(22) Filed: **Feb. 2, 2015**

(30) **Foreign Application Priority Data**

Nov. 10, 2014 (JP) ..... 2014-025023

(51) **LOC (10) Cl.** ..... **23-01**

(52) **U.S. Cl.**  
USPC ..... **D23/233**

(58) **Field of Classification Search**  
USPC ..... D23/233-250; 137/487.5, 599.07, 862,  
137/625.64, 554, 599, 557, 560, 882, 884,  
137/343, 269; 251/129.15, 129.01  
CPC ... F16K 31/0675; F16K 27/029; F16K 31/02;  
F16K 31/082; F16K 27/048; F16K 11/24  
See application file for complete search history.

(56) **References Cited**

U.S. PATENT DOCUMENTS

D563,507 S *	3/2008	Kato	.....	D23/233
D563,512 S *	3/2008	Mita	.....	D23/233
D563,513 S *	3/2008	Mita	.....	D23/233
D698,901 S *	2/2014	Narita	.....	D23/233
D699,323 S *	2/2014	Narita	.....	D23/233
D720,044 S *	12/2014	Enzaki	.....	D23/233
D734,432 S *	7/2015	Sato	.....	D23/233
D734,833 S *	7/2015	Sato	.....	D23/233

\* cited by examiner

*Primary Examiner* — Cynthia Ramirez

*Assistant Examiner* — Gino Colan

(74) *Attorney, Agent, or Firm* — Yokoi & Co., U.S.A.;  
Toshiyuki Yokoi

(57) **CLAIM**

The ornamental design for an electromagnetic valve, as shown and described.

**DESCRIPTION**

FIG. 1 shows a front view of an electromagnetic valve showing our new design;

FIG. 2 shows a rear view thereof;

FIG. 3 shows a top plan view thereof;

FIG. 4 shows a bottom plan view thereof;

FIG. 5 shows a right side view thereof;

FIG. 6 shows a left side view thereof;

FIG. 7 shows a perspective view thereof; and,

FIG. 8 shows another perspective view thereof.

The portions of the design shown in broken lines in FIGS. 1, 2, 3, 7 and 8 are for the purpose of illustrating the environment only and form no part of the claimed design.

**1 Claim, 7 Drawing Sheets**

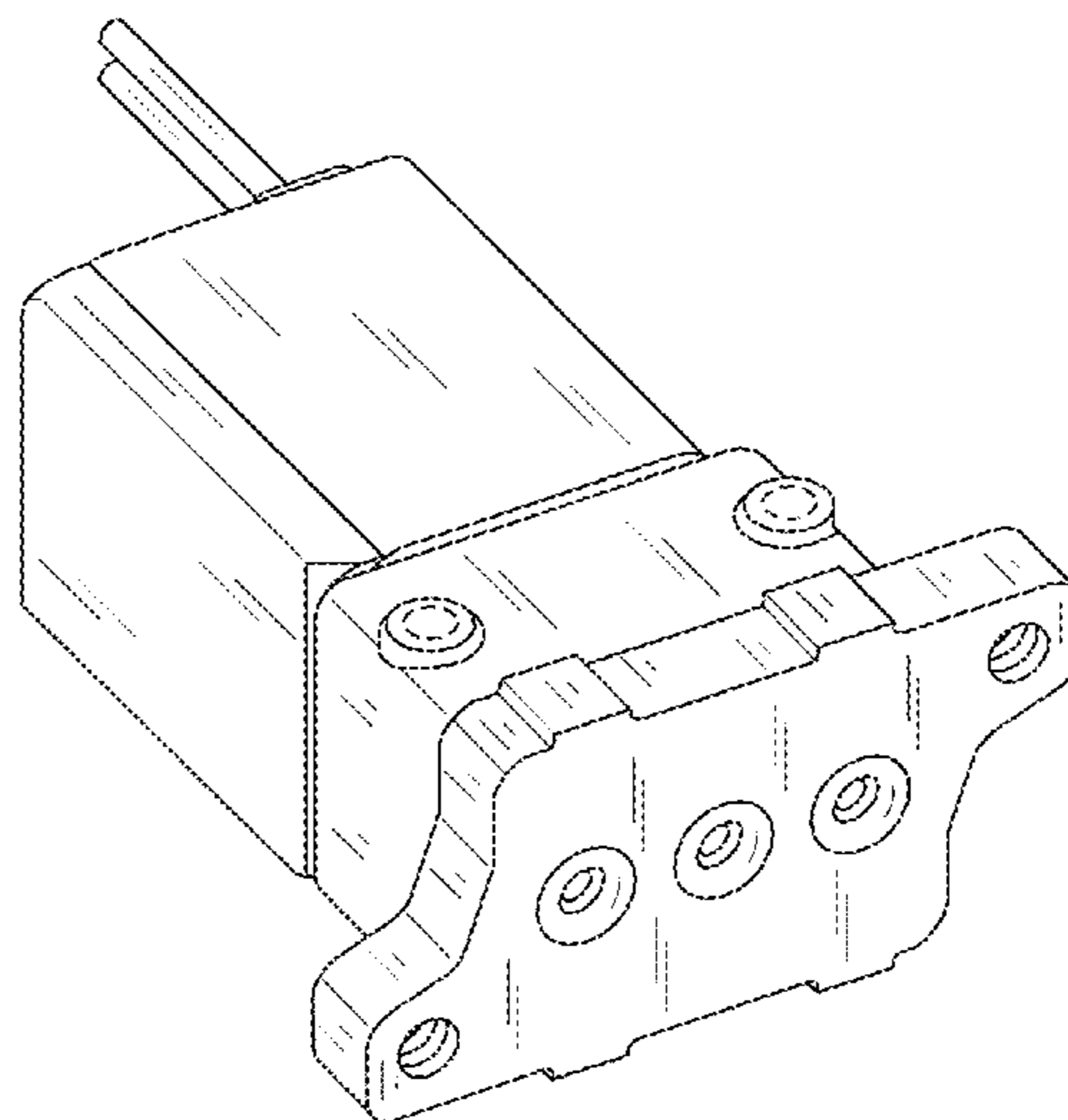
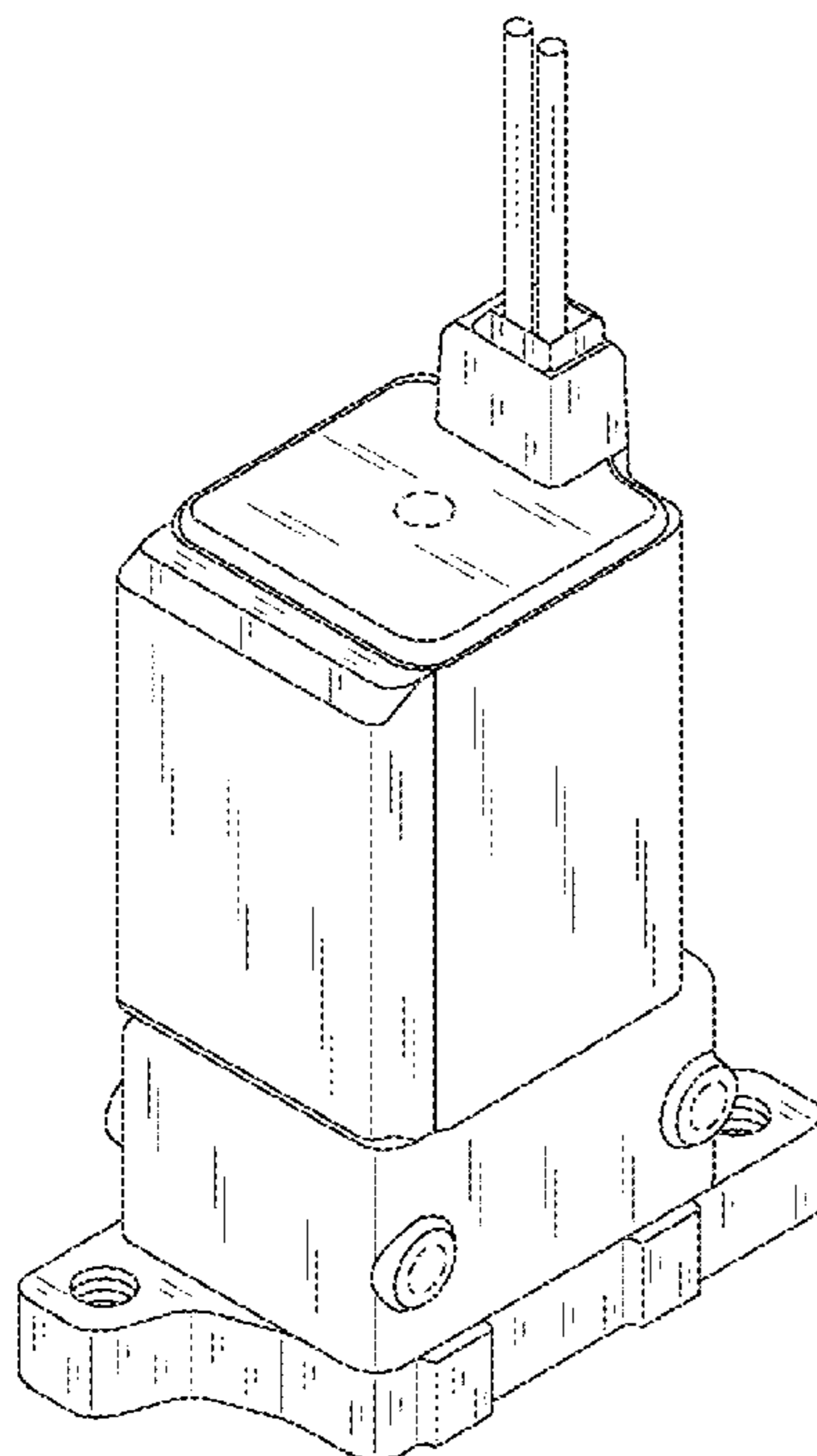


FIG. 1

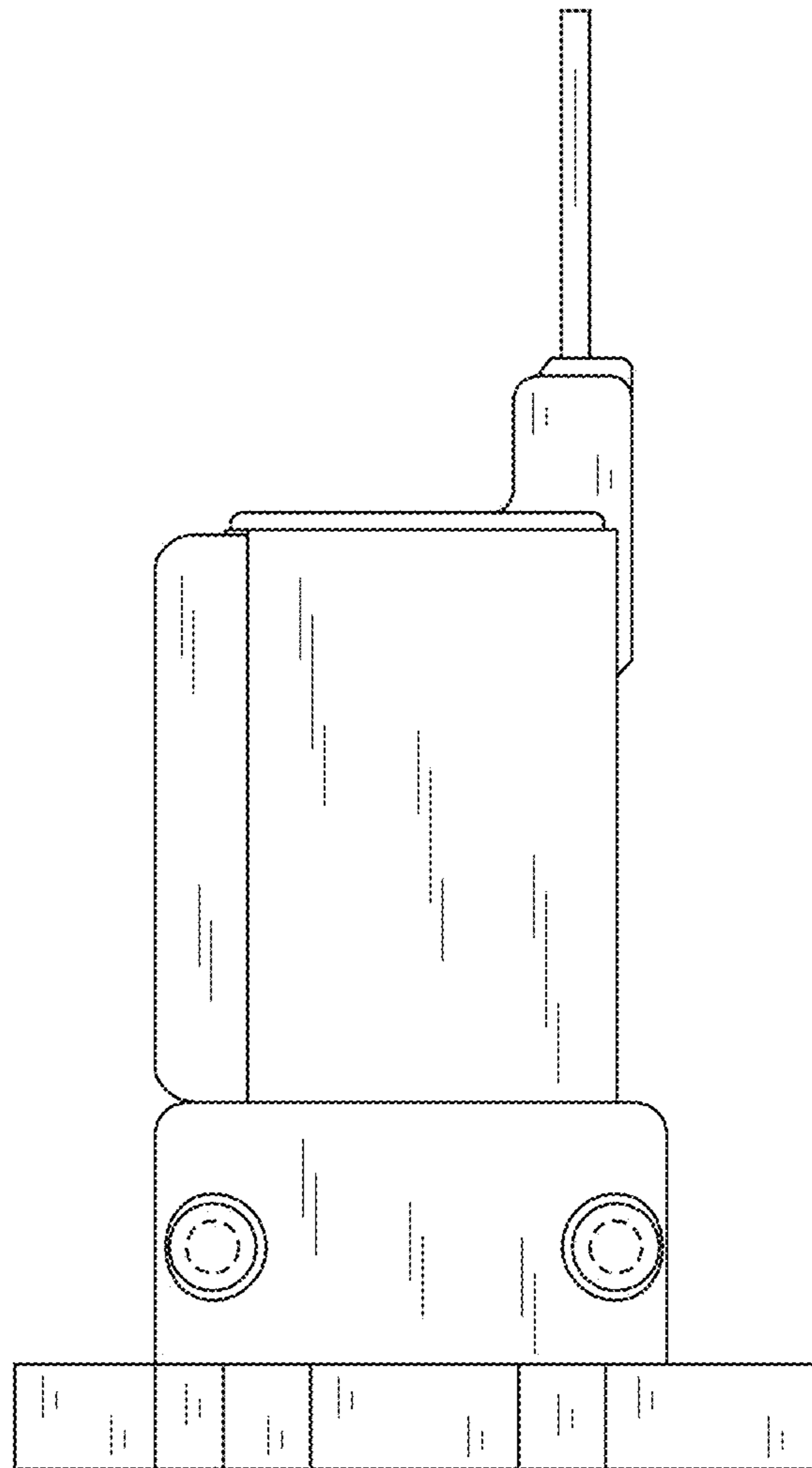


FIG. 2

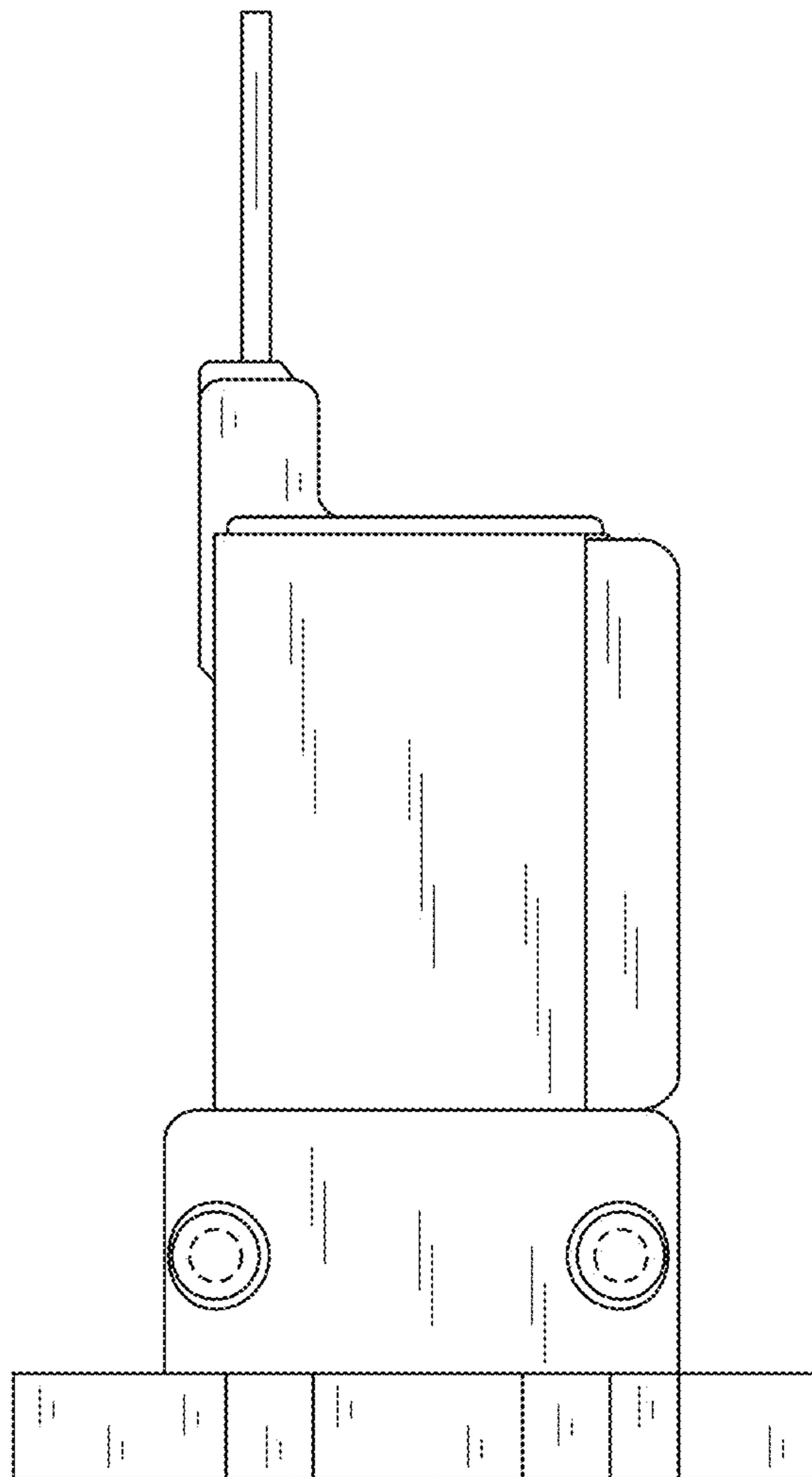


FIG. 3

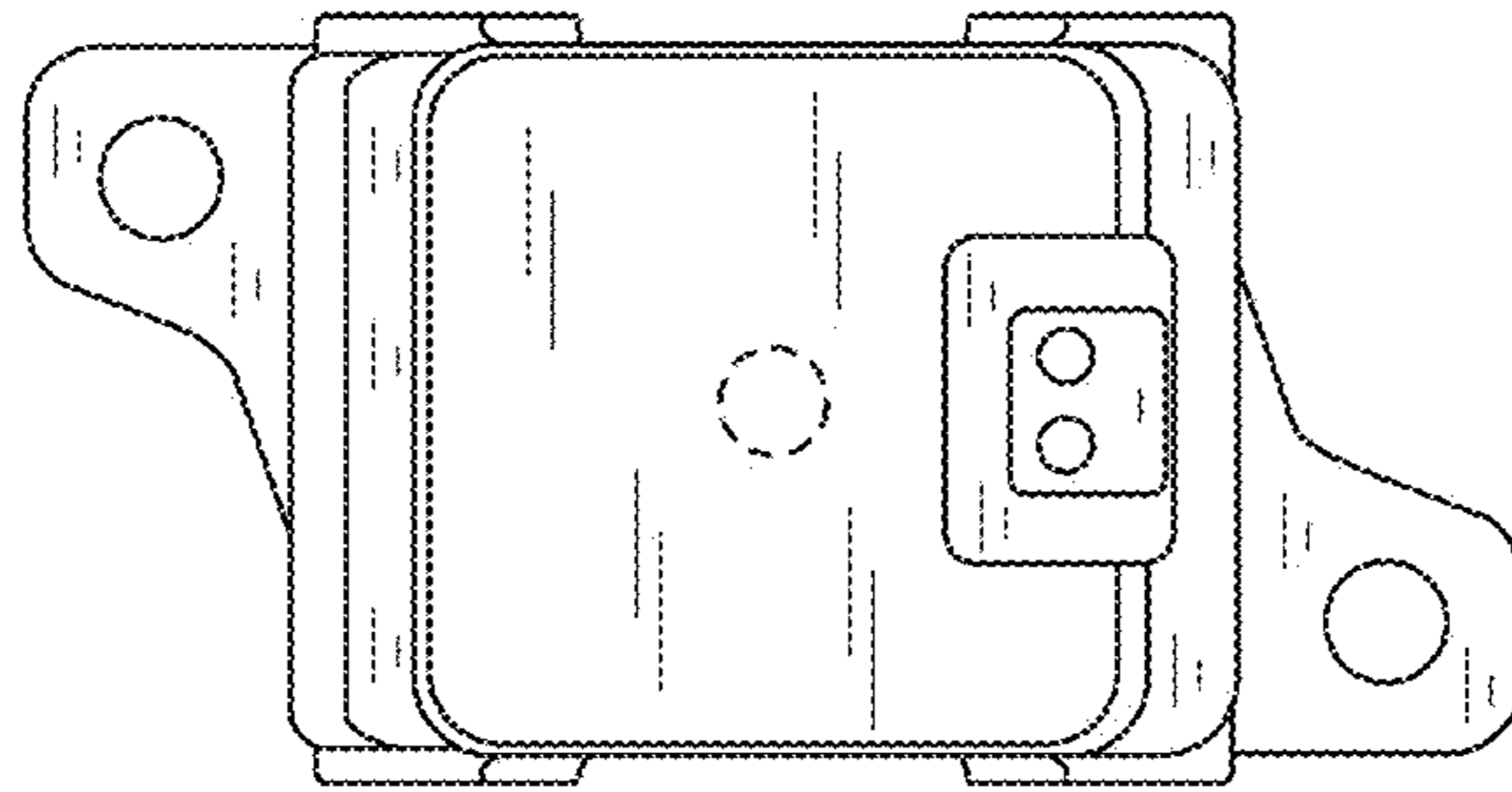


FIG. 4

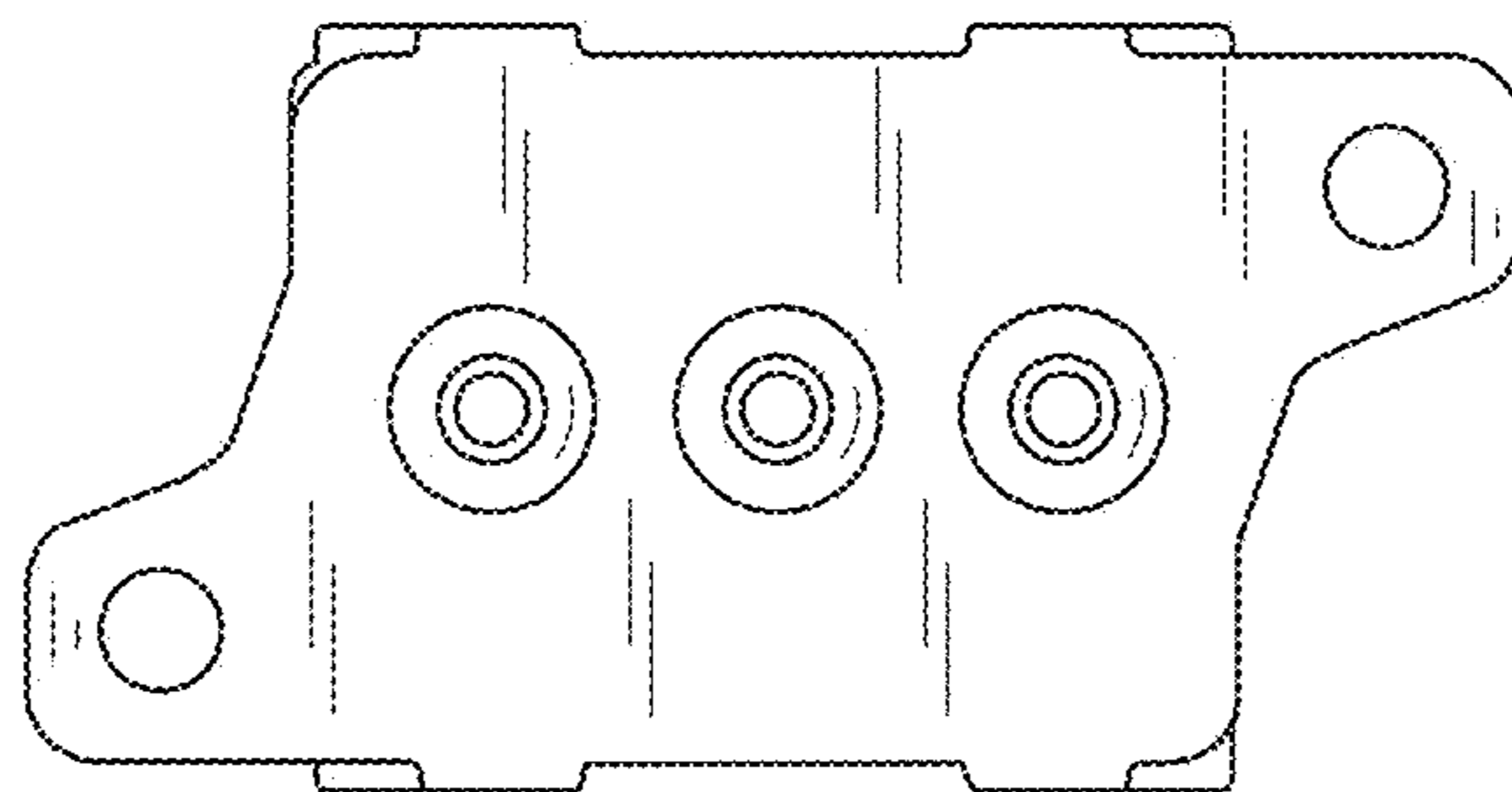


FIG. 5

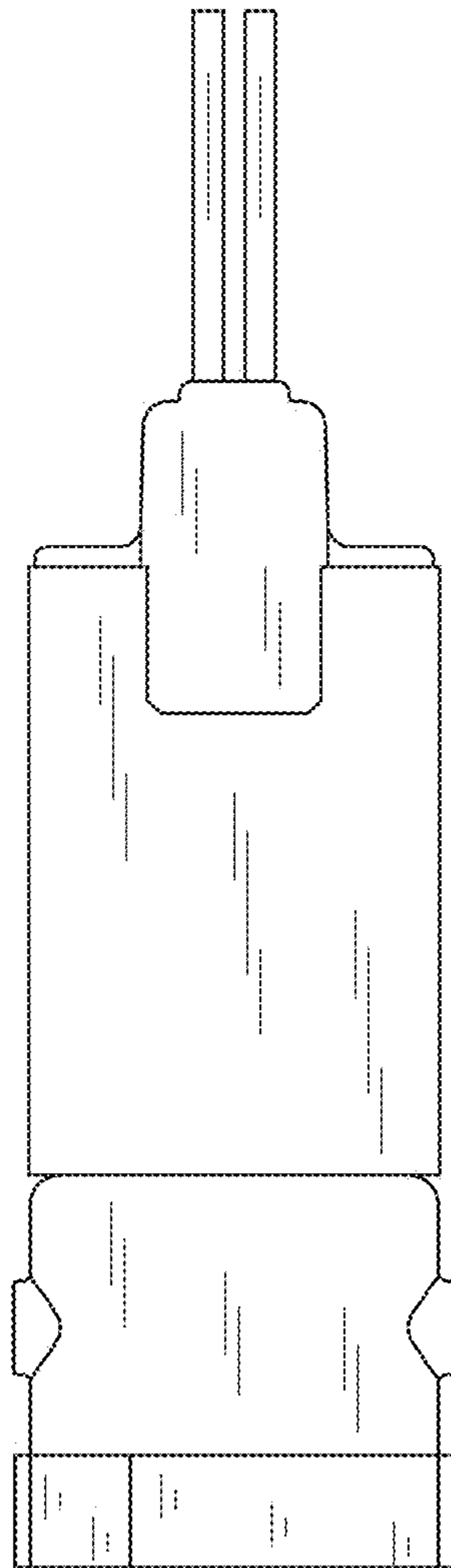


FIG. 6

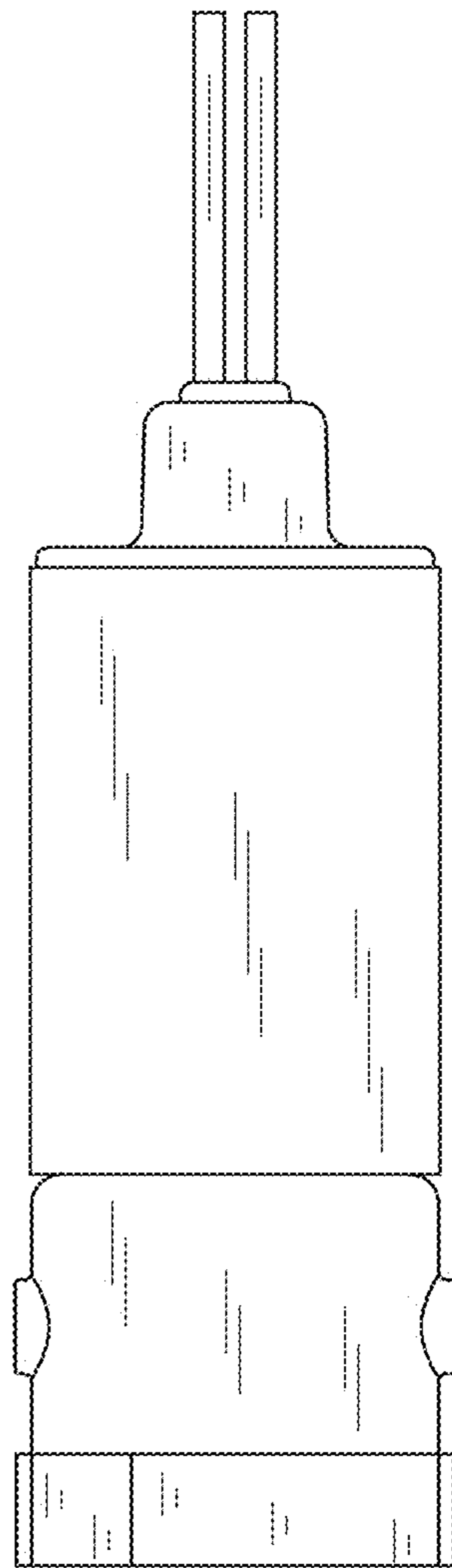


FIG. 7

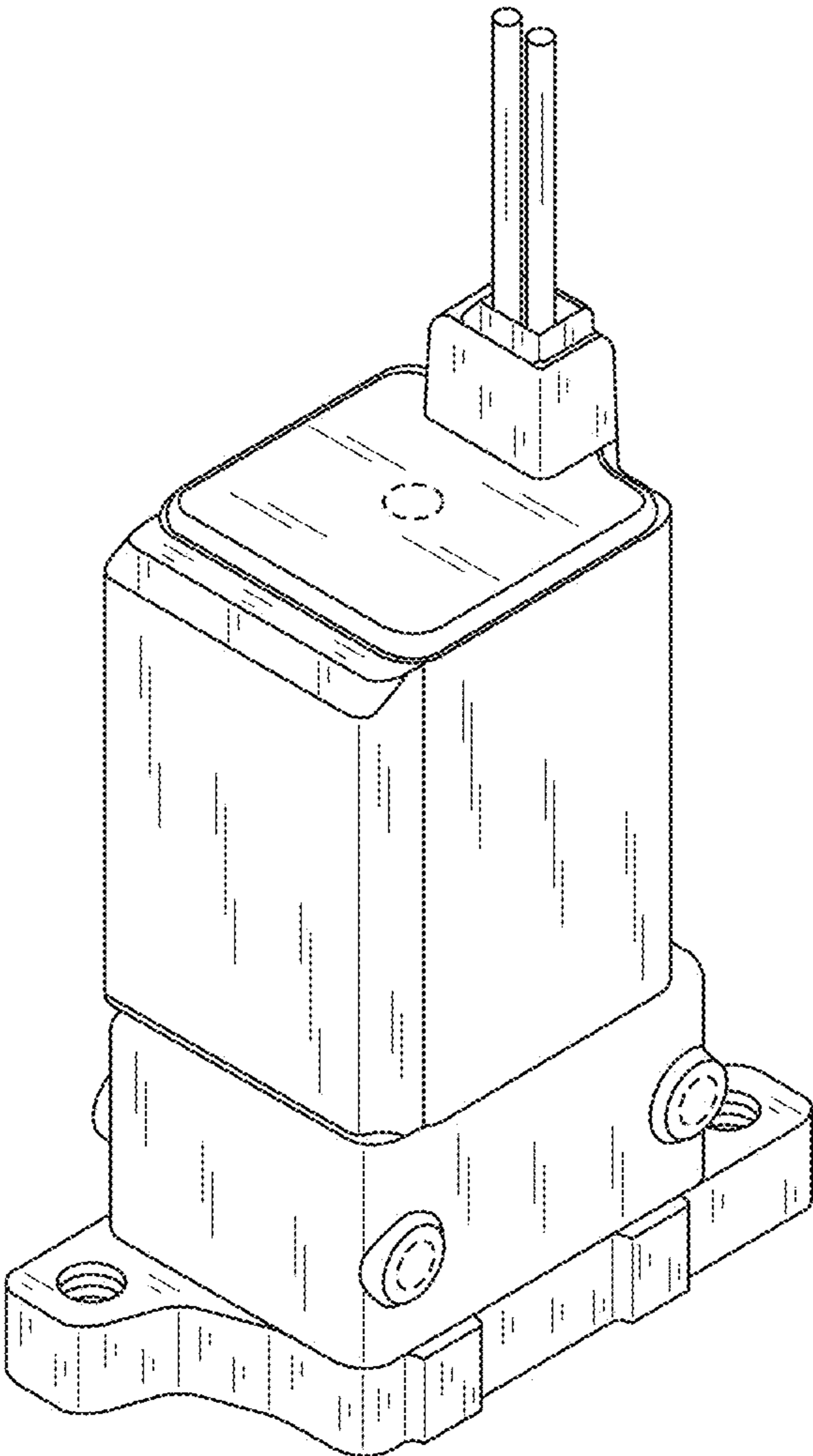


FIG. 8

