

US00D750744S

(12) **United States Design Patent**
Liljeqvist et al.

(10) **Patent No.:** **US D750,744 S**
(45) **Date of Patent:** **** Mar. 1, 2016**

(54) **FLUID CONTROL VALVE BODY**

(71) Applicant: **ESBE AB**, Reftele (SE)

(72) Inventors: **Per Liljeqvist**, Anderstorp (SE); **Martin Karhammer**, Forsheda (SE); **Filip Celander**, Reftele (SE)

(73) Assignee: **ESBE AB**, Reftele (SE)

(**) Term: **14 Years**

(21) Appl. No.: **29/502,274**

(22) Filed: **Sep. 12, 2014**

(30) **Foreign Application Priority Data**

Mar. 14, 2014 (SE) 002425686-0001

(51) **LOC (10) Cl.** **23-01**

(52) **U.S. Cl.**
USPC **D23/233**

(58) **Field of Classification Search**
USPC D23/233-269; 137/14, 315.04; 251/57,
251/148, 309, 310, 129.01, 15, 17, 38, 40,
251/206, 243
CPC F16K 5/0407; F16K 31/12; F16K 5/0605;
F16K 11/0716; F16K 11/0613; F16K 31/0613;
F16K 31/002; F16K 3/34; F16K 7/17
See application file for complete search history.

(56) **References Cited**

U.S. PATENT DOCUMENTS

5,522,430	A *	6/1996	Mittersteiner Urzua .	137/625.47
D661,786	S *	6/2012	Johnson	D23/262
D690,390	S *	9/2013	Garm et al.	D23/233
D699,815	S *	2/2014	Petersen	D23/233
2011/0233437	A1 *	9/2011	Mattson et al.	251/309

* cited by examiner

Primary Examiner — Cynthia Ramirez

Assistant Examiner — Gino Colan

(74) *Attorney, Agent, or Firm* — Wolf, Greenfield & Sacks, P.C.

(57) **CLAIM**

The ornamental design for a fluid control valve body, as shown and described.

DESCRIPTION

FIG. 1 is a perspective view of a fluid control valve body showing our new design;

FIG. 2 is a top plan view thereof;

FIG. 3 is a left elevational view thereof;

FIG. 4 is a front elevational view thereof;

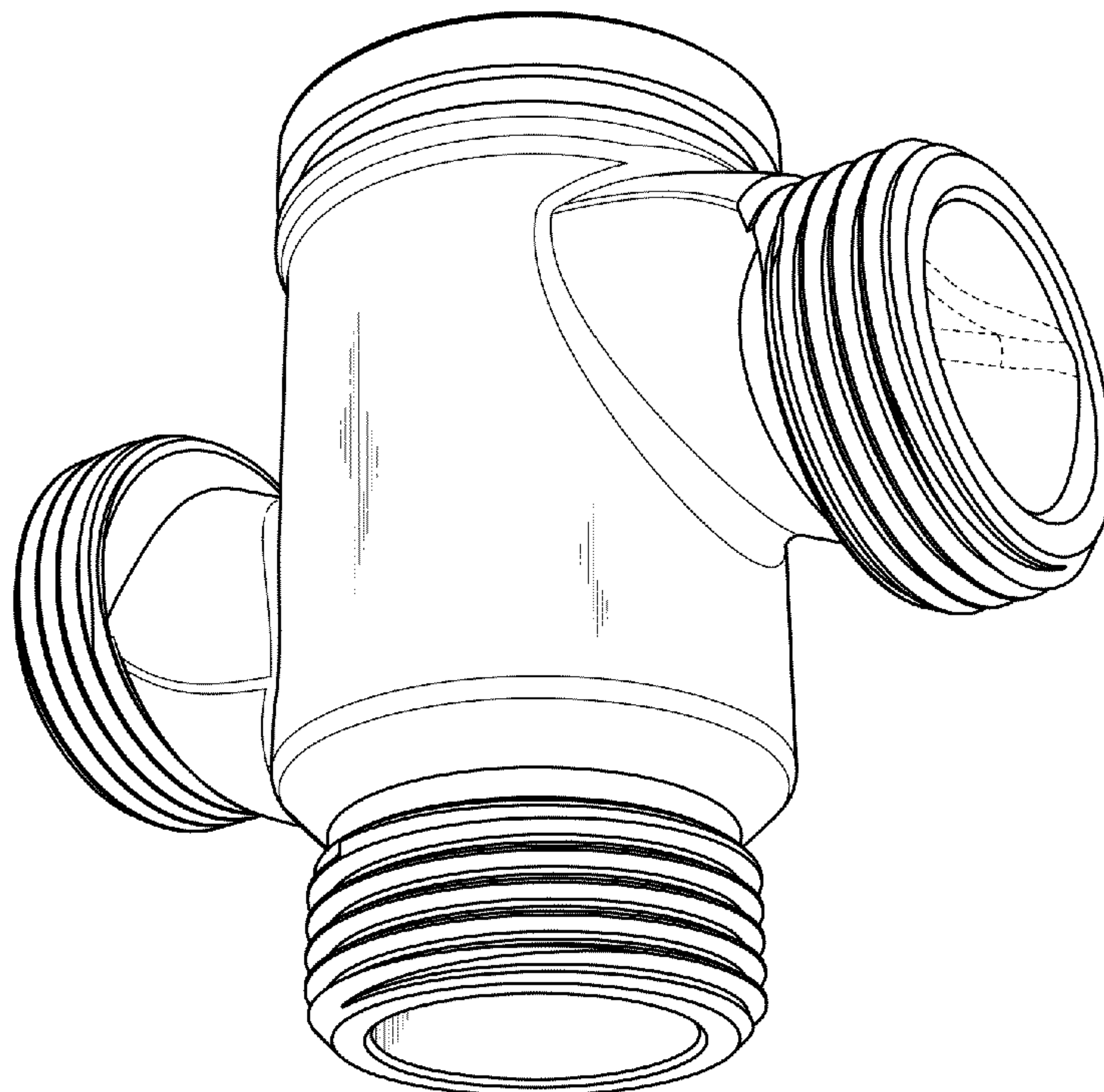
FIG. 5 is a bottom plan view thereof;

FIG. 6 is a rear elevational view thereof; and,

FIG. 7 is a right elevational view thereof.

The broken lines shown in the figures are included for the purpose of illustrating environment and form no part of the claimed design.

1 Claim, 7 Drawing Sheets



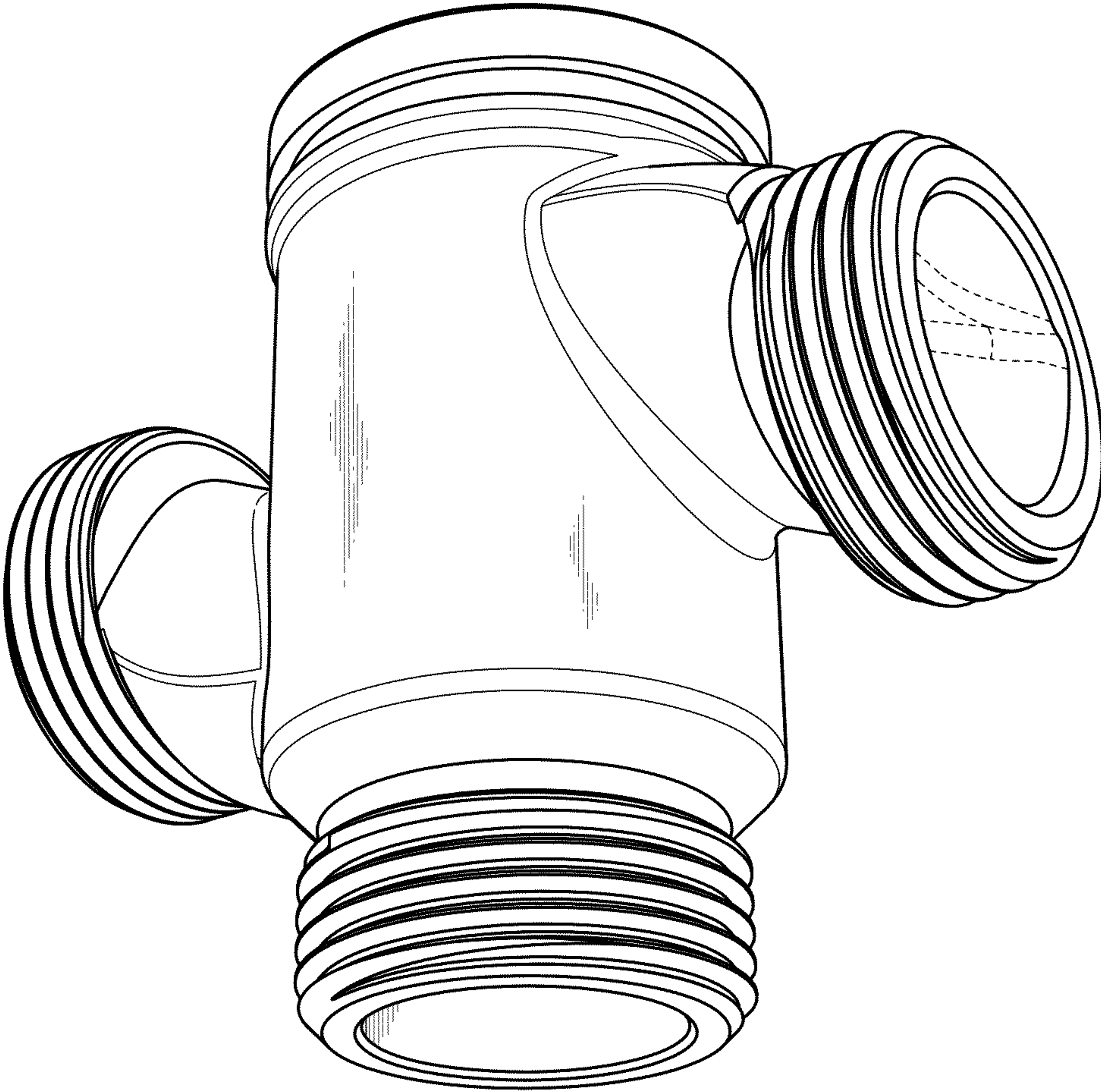


Fig. 1

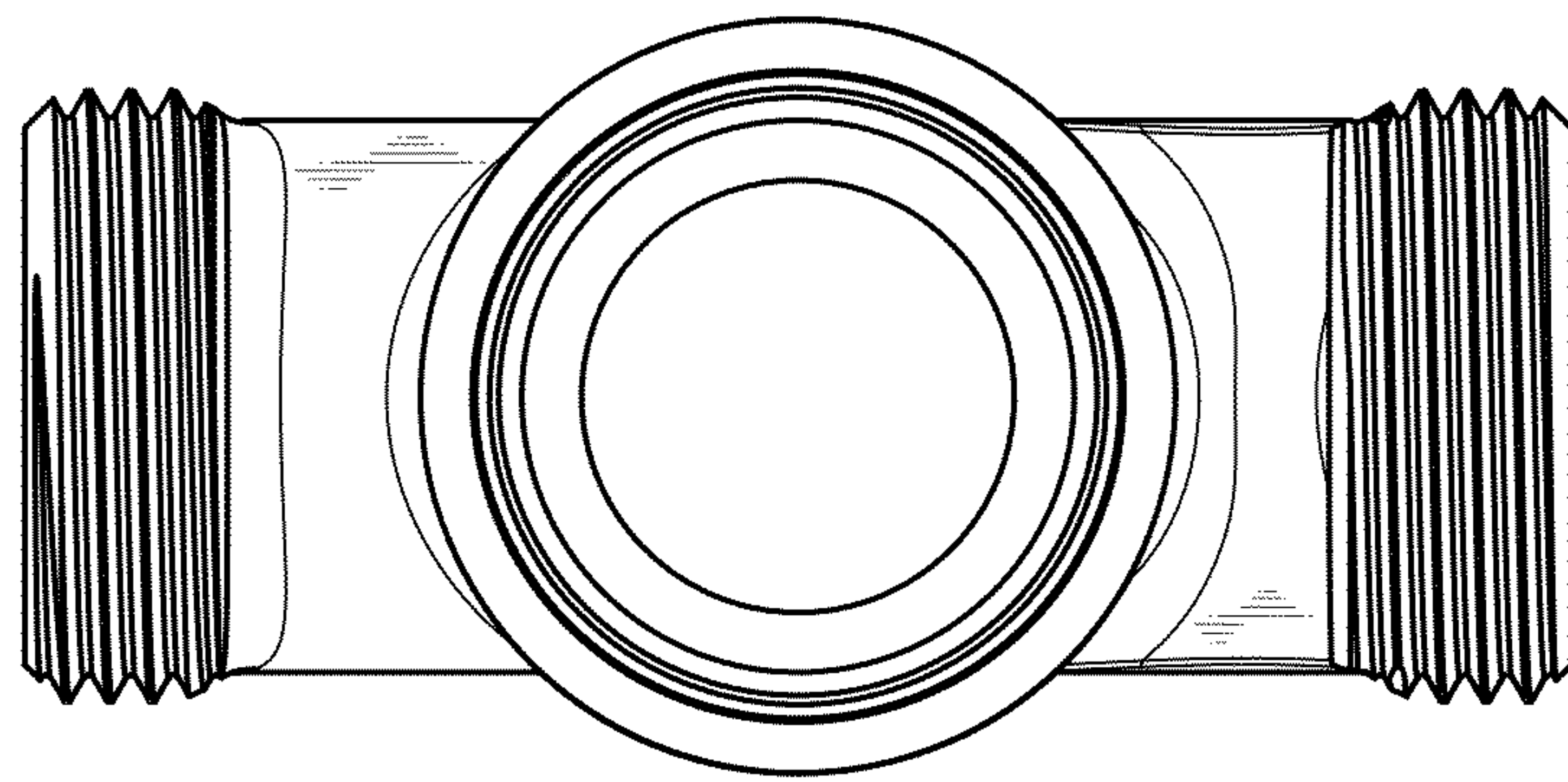


Fig. 2

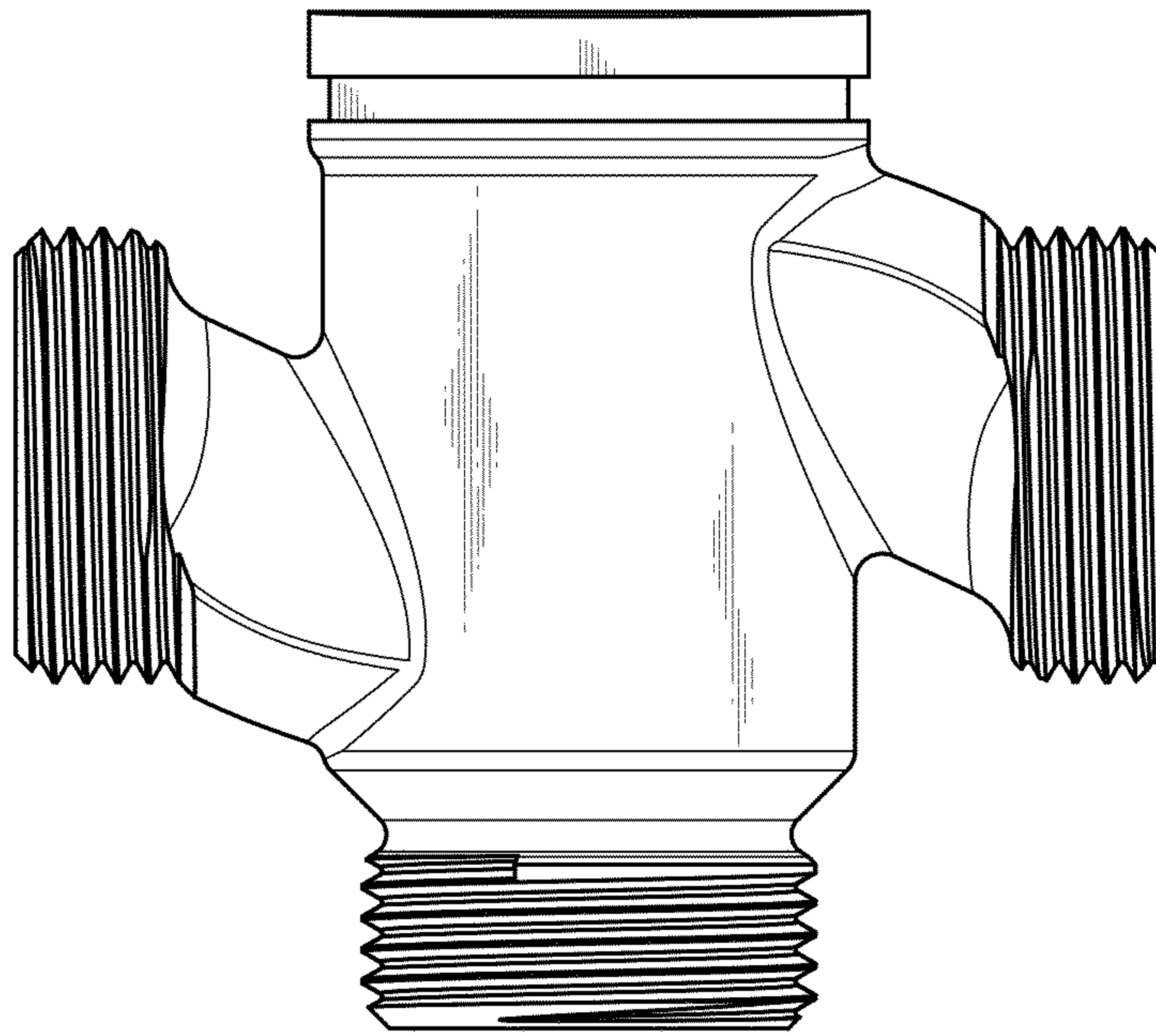


Fig. 3

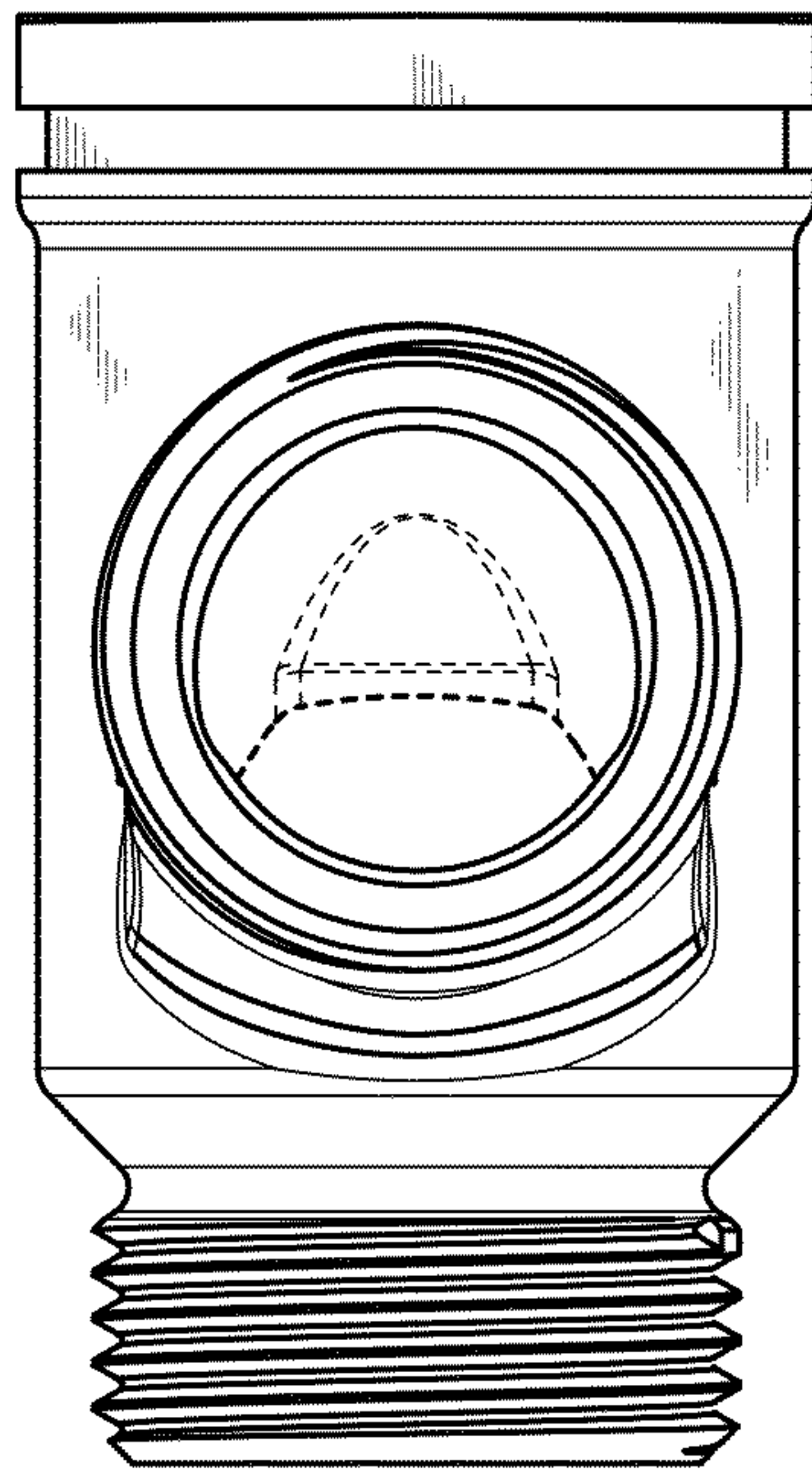


Fig. 4

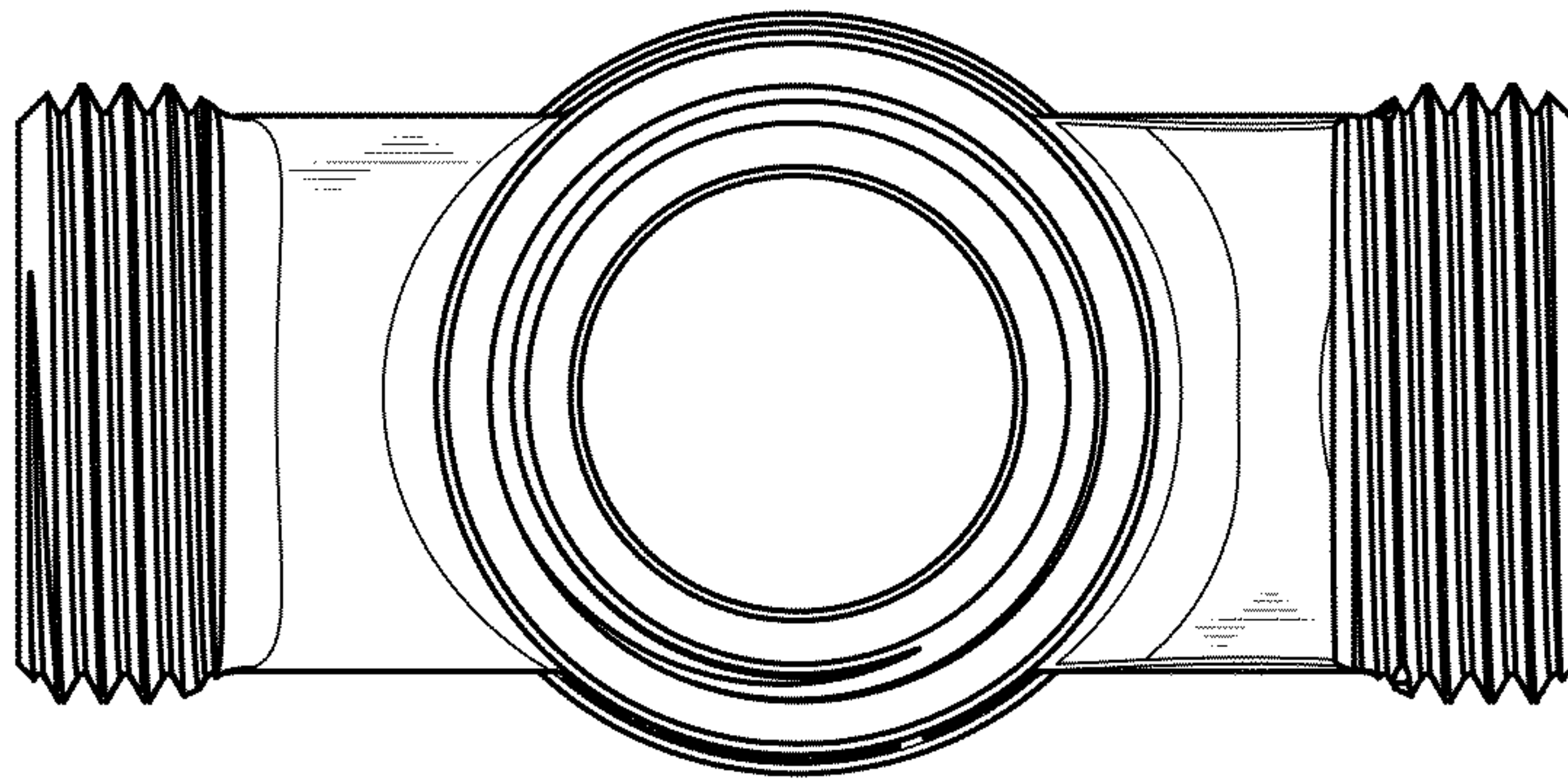


Fig. 5

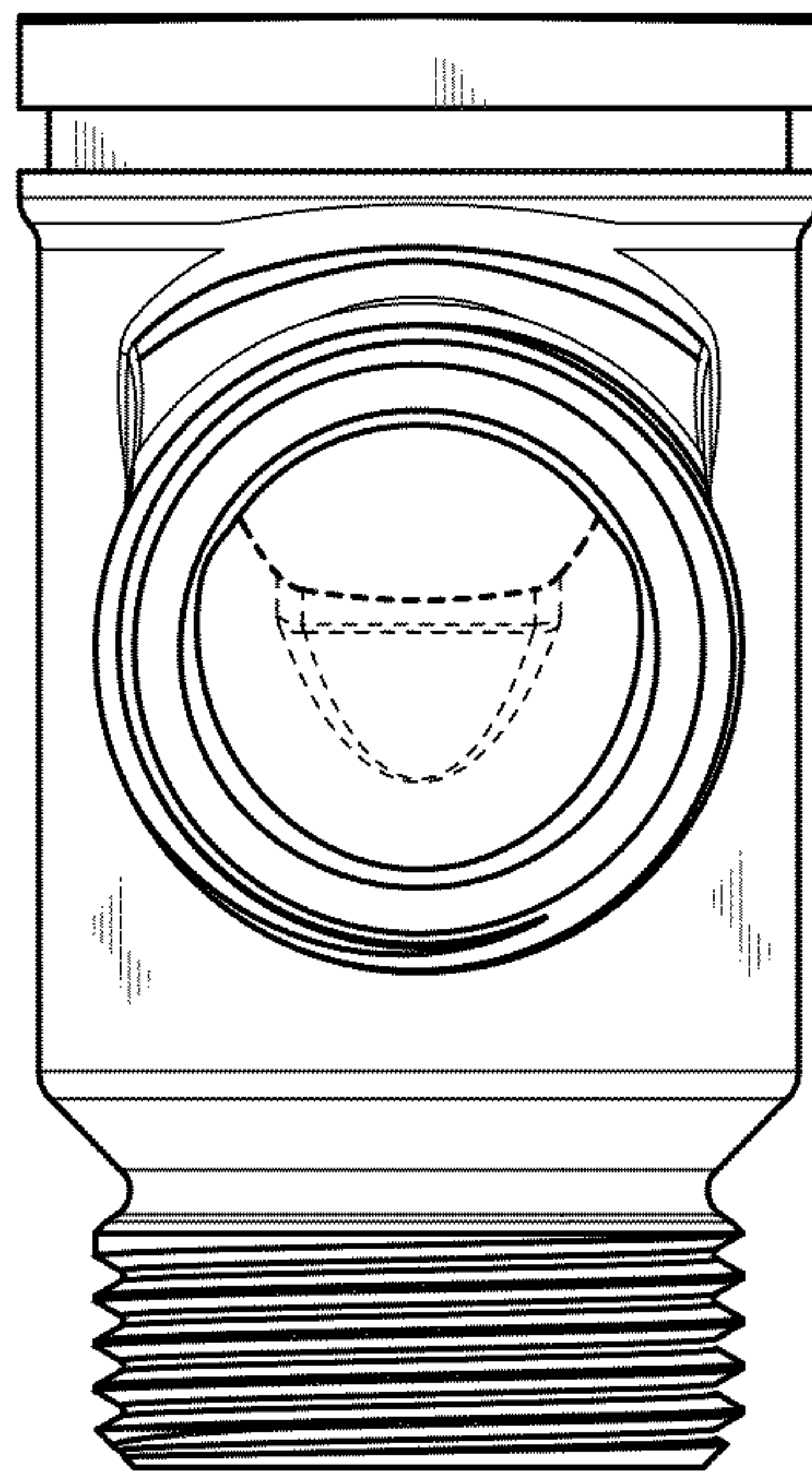


Fig. 6

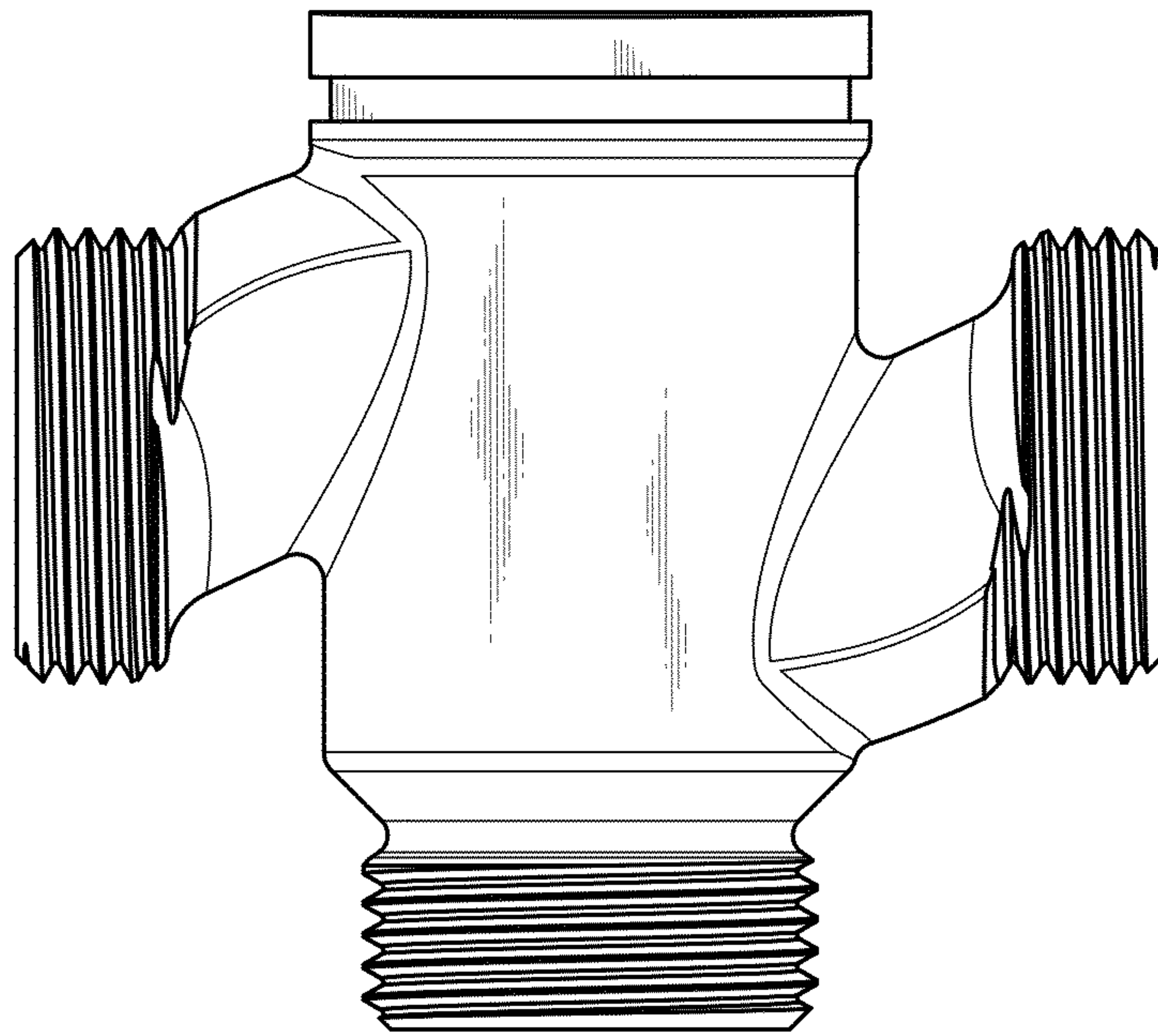


Fig. 7