



US00D750743S

(12) **United States Design Patent**
Holmes

(10) **Patent No.:** **US D750,743 S**
(45) **Date of Patent:** **** Mar. 1, 2016**

- (54) **SPRINKLER BASE**
- (71) Applicant: **Katco Holdings Pty Ltd**, Valentine,
New South Wales (AU)
- (72) Inventor: **Kathleen Patricia Holmes**, Wangi
Wangi (AU)
- (73) Assignee: **Katco Holdings Pty Ltd** (AU)
- (**) Term: **14 Years**
- (21) Appl. No.: **29/502,908**
- (22) Filed: **Sep. 20, 2014**

D510,405 S *	10/2005	Sener	D23/221
D510,406 S *	10/2005	Sener	D23/221
D615,153 S *	5/2010	Cheng	D23/214
D615,611 S *	5/2010	Cheng	D23/214
D635,643 S *	4/2011	Hanna	D23/221
D702,812 S *	4/2014	Morgan	D23/221
D702,815 S *	4/2014	Vedantam	D23/221

* cited by examiner

Primary Examiner — Robin V Webster

(74) *Attorney, Agent, or Firm* — Chernoff Vilhauer
McClung & Stenzel, LLP

(30) **Foreign Application Priority Data**

Mar. 25, 2014 (AU) 11378/2014

(51) **LOC (10) Cl.** **23-01**

(52) **U.S. Cl.**
USPC **D23/221; D23/214**

(58) **Field of Classification Search**
USPC D23/214, 216, 221; 239/240, 242, 273,
239/275, 276
CPC B05B 3/04; B05B 3/021; B05B 3/023
See application file for complete search history.

(56) **References Cited**

U.S. PATENT DOCUMENTS

D263,868 S *	4/1982	Chow	D23/221
D432,207 S *	10/2000	Hsin-Fa	D23/214

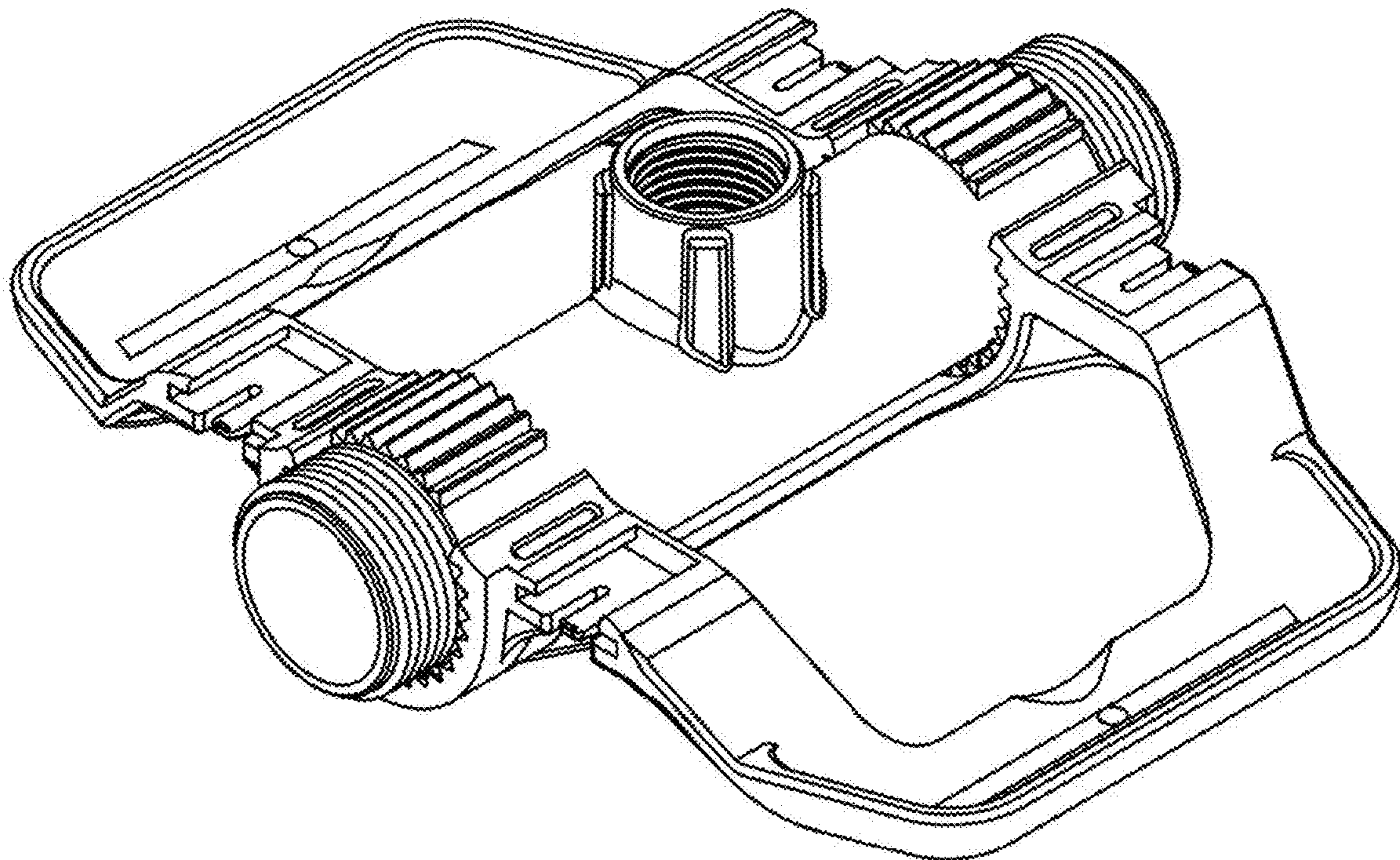
(57) **CLAIM**

The ornamental design for a sprinkler base, as shown and described.

DESCRIPTION

FIG. 1 is a perspective view of a sprinkler base with a turret oriented vertically;
 FIG. 2 is a front view of the sprinkler base of FIG. 1 with the turret oriented vertically;
 FIG. 3 is a right side view of the sprinkler base of FIG. 1 with the turret oriented vertically; and,
 FIG. 4 is a top view of the sprinkler base of FIG. 1 with the turret oriented vertically.
 The left side view of the sprinkler base is the same as the right side view and the rear view of the sprinkler base is the same as the front view when the turret is oriented vertically.

1 Claim, 4 Drawing Sheets



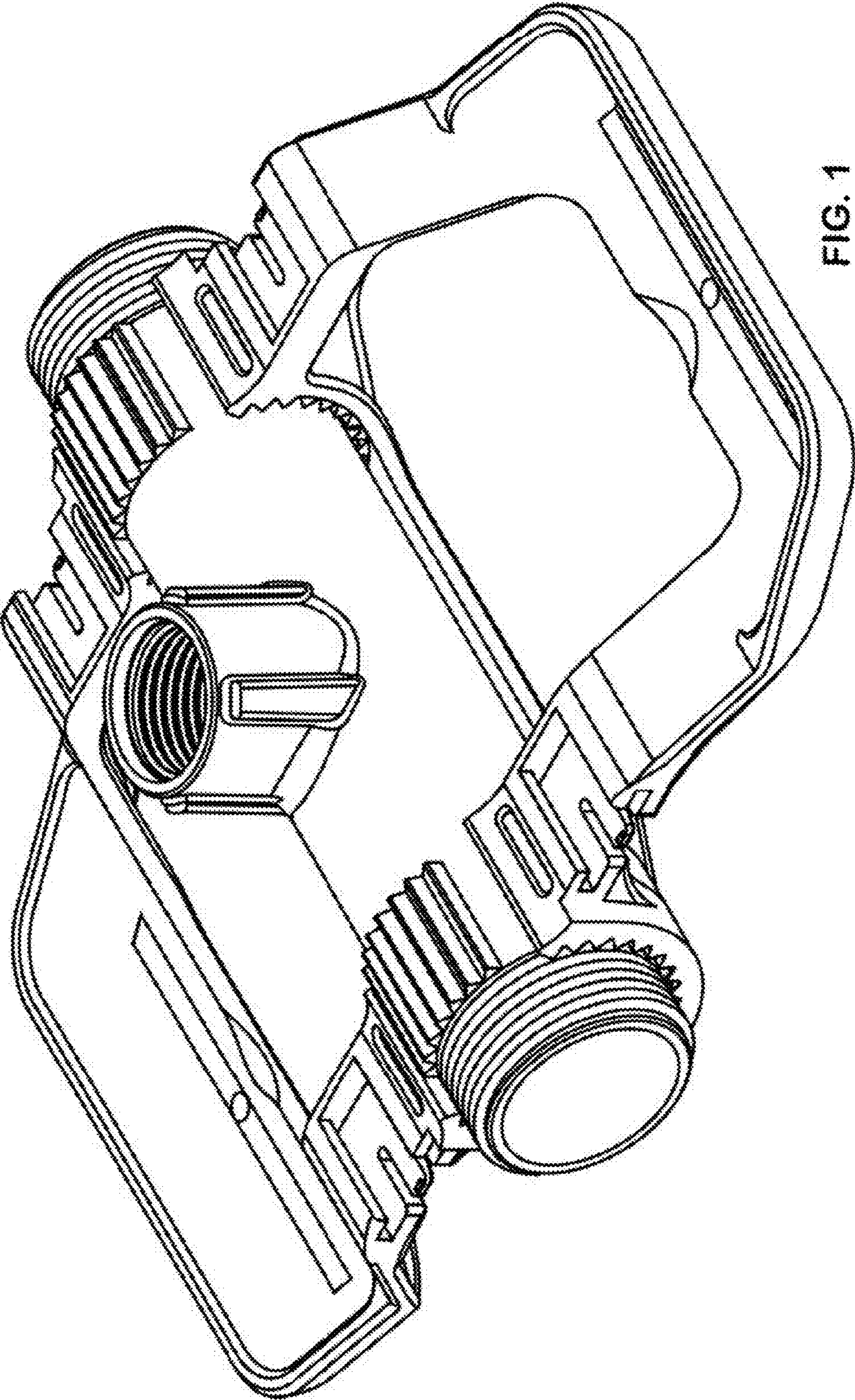


FIG. 1

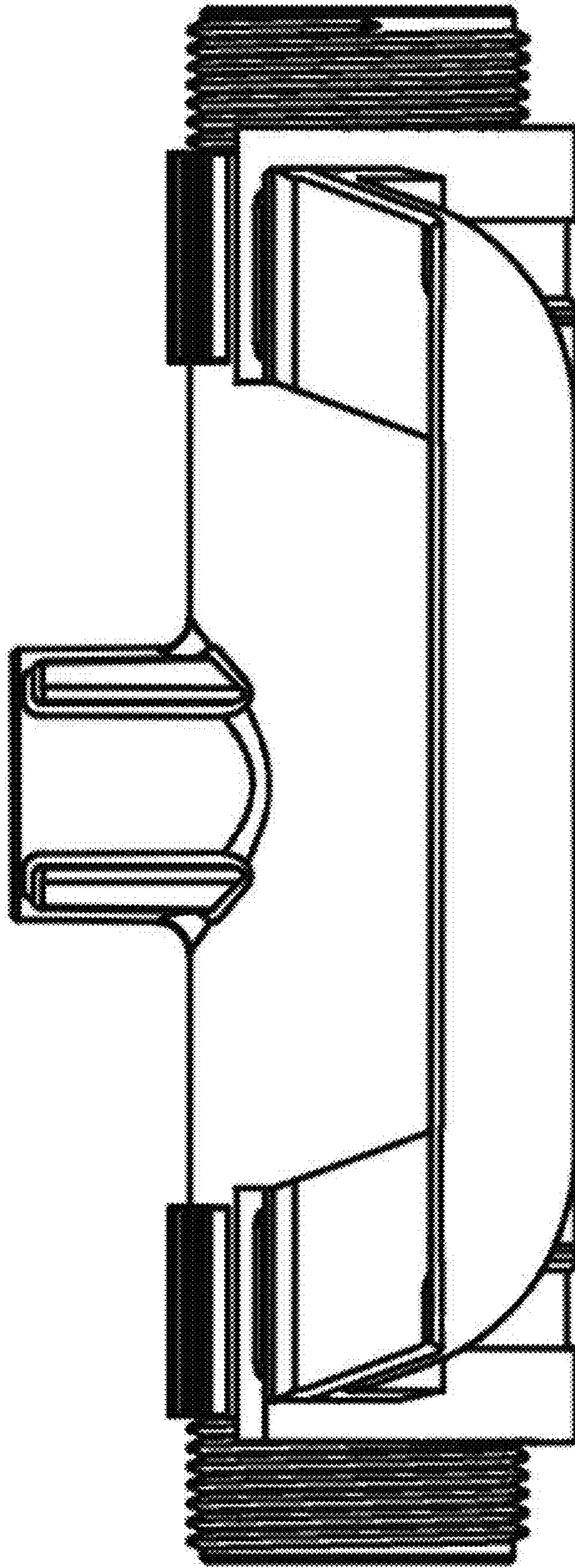


Fig. 2

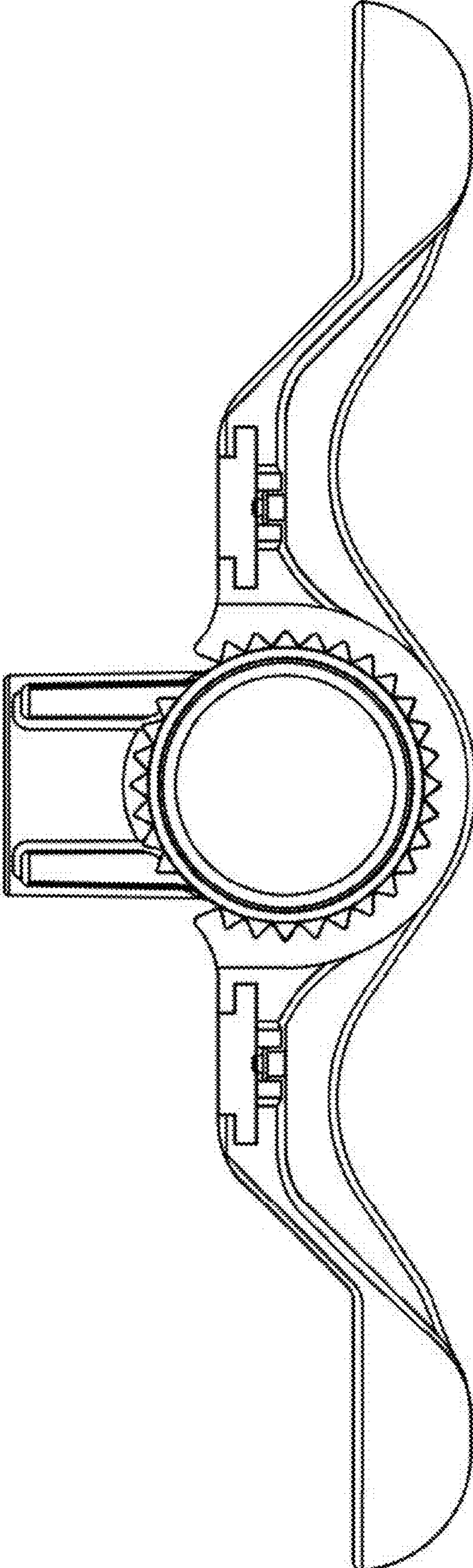


Fig. 3

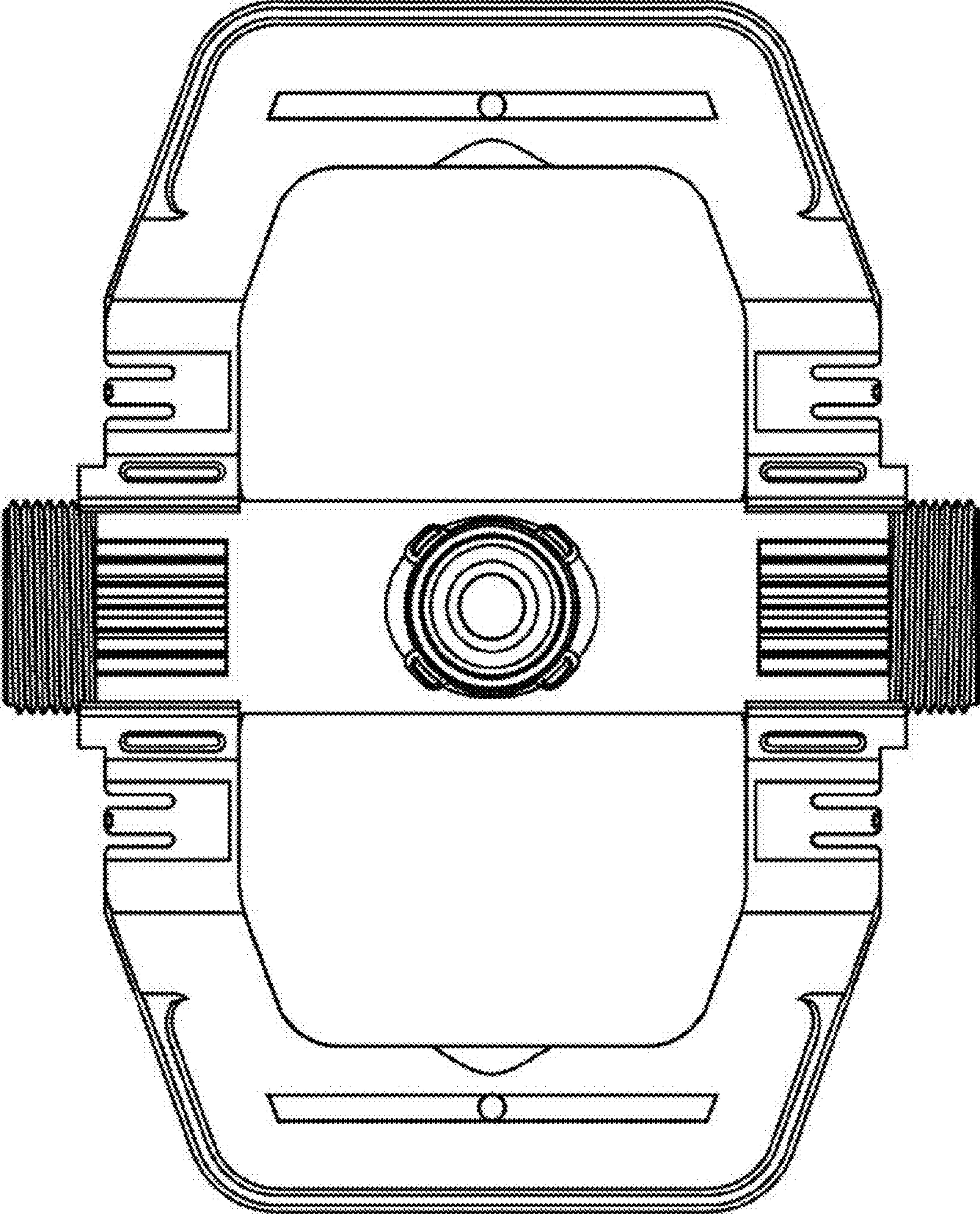


Fig. 4