



US00D750739S

(12) **United States Design Patent**
Baird

(10) **Patent No.:** **US D750,739 S**
(45) **Date of Patent:** **** Mar. 1, 2016**

(54) **SET OF MOUNTING LUGS FOR A WATER FILTER**

(71) Applicant: **Michael T. Baird**, Temecula, CA (US)

(72) Inventor: **Michael T. Baird**, Temecula, CA (US)

(**) Term: **14 Years**

(21) Appl. No.: **29/508,350**

(22) Filed: **Nov. 5, 2014**

(51) **LOC (10) Cl.** **23-01**

(52) **U.S. Cl.**
USPC **D23/209**

(58) **Field of Classification Search**
USPC D23/207, 209, 262, 259, 265; 210/232,
210/234, 236, 418, 493.2; D8/382;
285/360, 361
CPC B01D 2201/291; B01D 2201/293;
B01D 2201/296; B01D 2201/298; B01D
2201/301-2201/306; B01D 35/153; B01D
35/157; B01D 35/30; B01D 29/111
See application file for complete search history.

6,893,561 B2 5/2005 Jainek
6,949,189 B2 9/2005 Bassett et al.
7,135,113 B2 11/2006 Bassett et al.
D547,821 S * 7/2007 Kennedy D23/207
7,407,148 B2 8/2008 Bassett et al.
7,481,928 B2 * 1/2009 Fritze B01D 35/147
210/234
D591,414 S * 4/2009 Farnaby D23/209
D592,288 S * 5/2009 Price D23/259
D596,272 S * 7/2009 Price D23/259
D599,880 S * 9/2009 Rampen D23/209

(Continued)

FOREIGN PATENT DOCUMENTS

EP 657200 A2 6/1995
GB 1283814 8/1972

(Continued)

Primary Examiner — Robin V Webster
(74) *Attorney, Agent, or Firm* — Stetina Brunda Garred & Brucker; Lowell Anderson

(57) **CLAIM**
The ornamental design for the set of mounting lugs for a water filter, as shown and described.

(56) **References Cited**

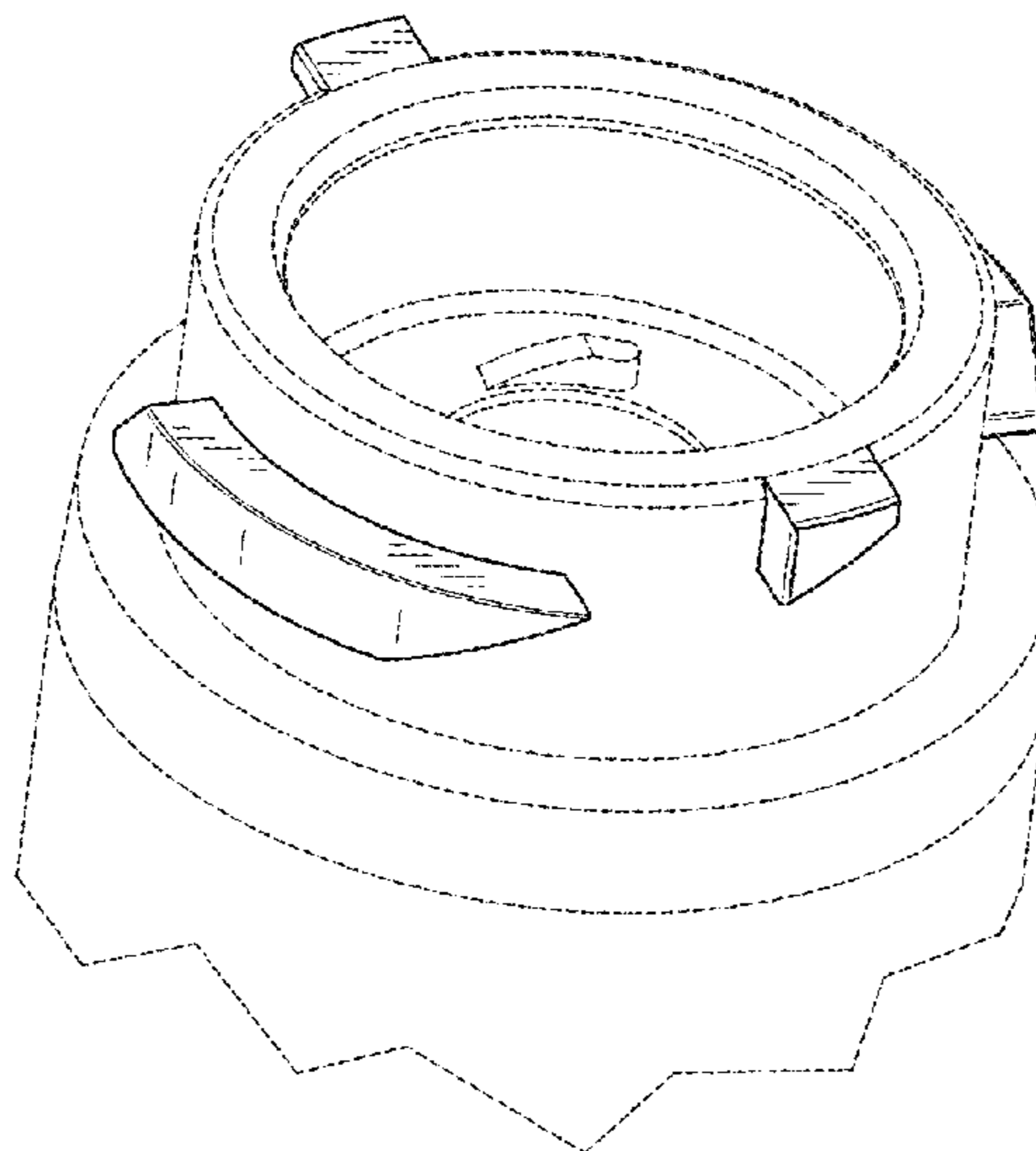
U.S. PATENT DOCUMENTS

3,746,171 A 7/1973 Thomsen
4,465,202 A 8/1984 Stoves et al.
4,688,833 A * 8/1987 Todd F16L 25/0045
285/12
4,719,012 A 1/1988 Groezinger et al.
4,735,716 A 4/1988 Petrucci et al.
4,806,240 A 2/1989 Giordano et al.
4,956,086 A 9/1990 Thomsen et al.
5,045,192 A 9/1991 Terhune
5,114,572 A 5/1992 Hunter et al.
5,486,288 A 1/1996 Stanford et al.
D433,094 S 10/2000 Magnusson et al.
D455,814 S * 4/2002 Magnusson D23/209
6,458,260 B2 10/2002 Nemelka
D472,299 S * 3/2003 Fritze D23/209

DESCRIPTION

FIG. 1 is an upper perspective view of the mounting lug design of this invention;
FIG. 2 is a front view of the design of FIG. 1;
FIG. 3 is a back view of the design of FIG. 1;
FIG. 4 is a right side view of the design of FIG. 1 with the left side view being a mirror image thereof;
FIG. 5 is a top plan view of the design of FIG. 1; and,
FIG. 6 is a lower perspective view of the front of the mounting lug design of FIG. 1.
The broken line showing of portions of a water filter cartridge are for the purpose of illustrating environmental structure and form no part of the claimed design.

1 Claim, 2 Drawing Sheets



(56)

References Cited

U.S. PATENT DOCUMENTS

7,763,170 B2 7/2010 Bassett et al.
7,799,220 B2 9/2010 Fritze
D634,406 S * 3/2011 Klimas D23/262
D637,693 S * 5/2011 Riedel D23/209
8,182,699 B2 5/2012 Fritze
8,246,883 B2 * 8/2012 Bassett B01D 35/30

D674,058 S * 1/2013 Yu 210/312
D718,416 S * 11/2014 Reilly D23/262
D23/209

FOREIGN PATENT DOCUMENTS

JP H09267005 A 10/1997
WO W09402407 A1 2/1994

* cited by examiner

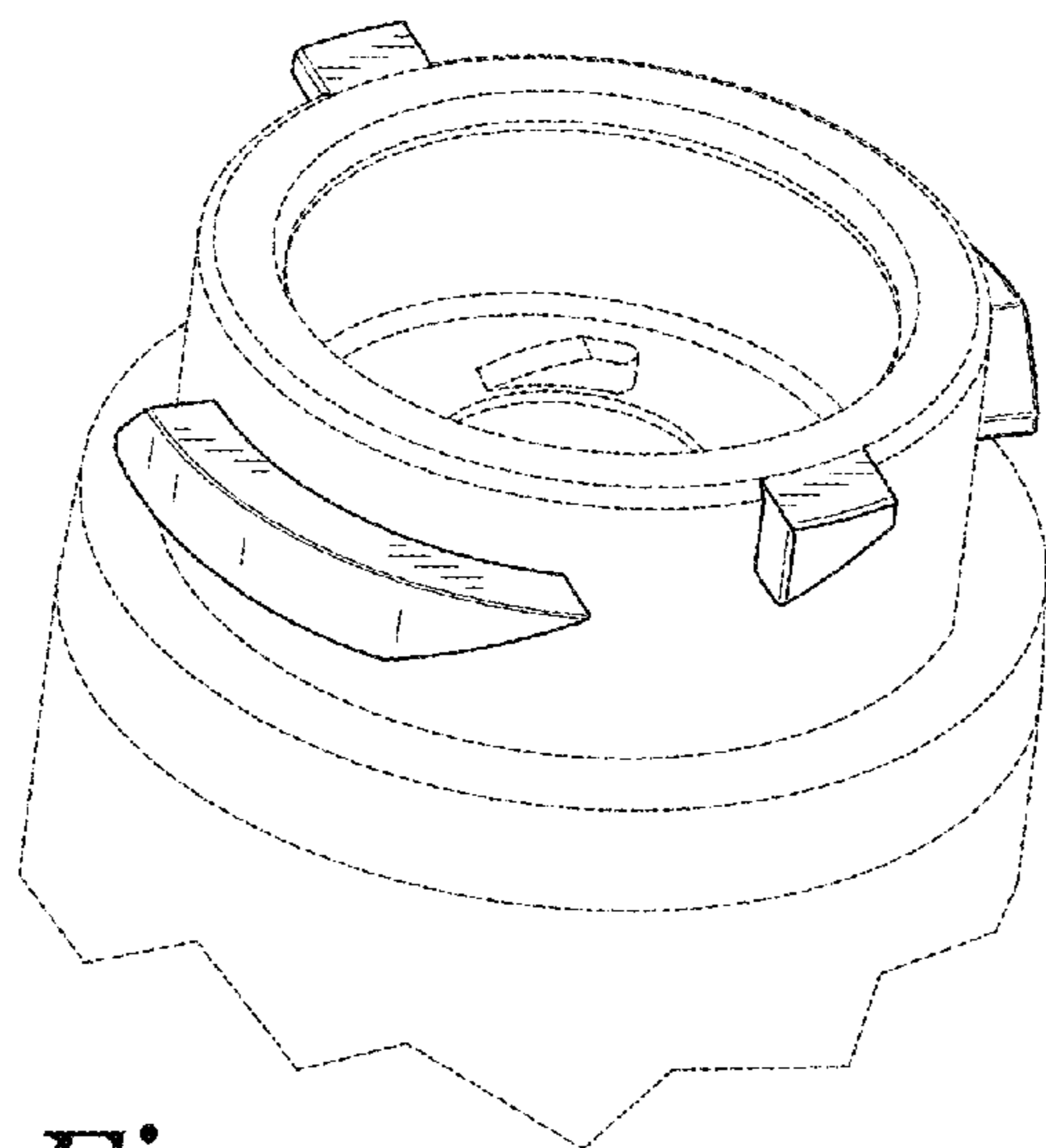


Fig. 1

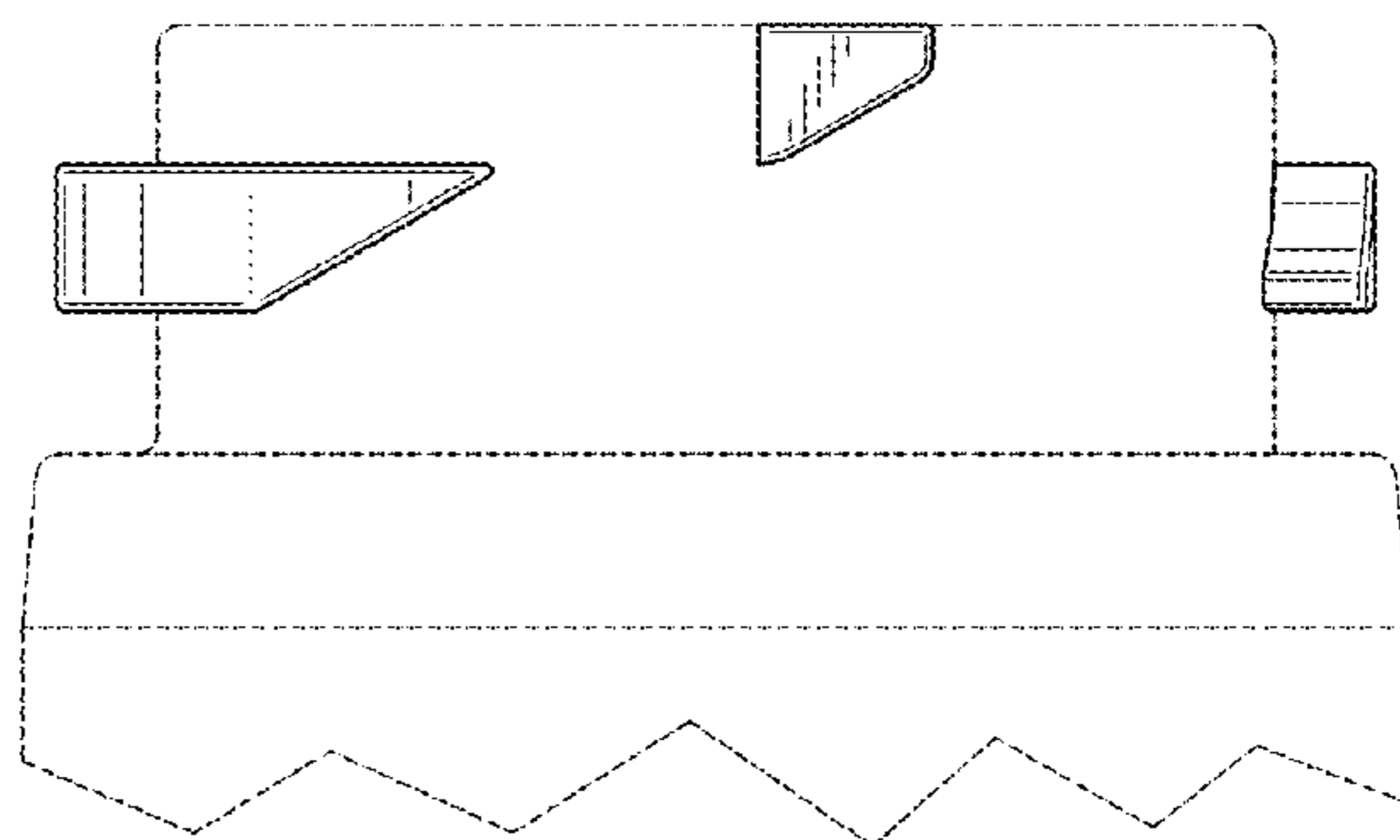


Fig. 2

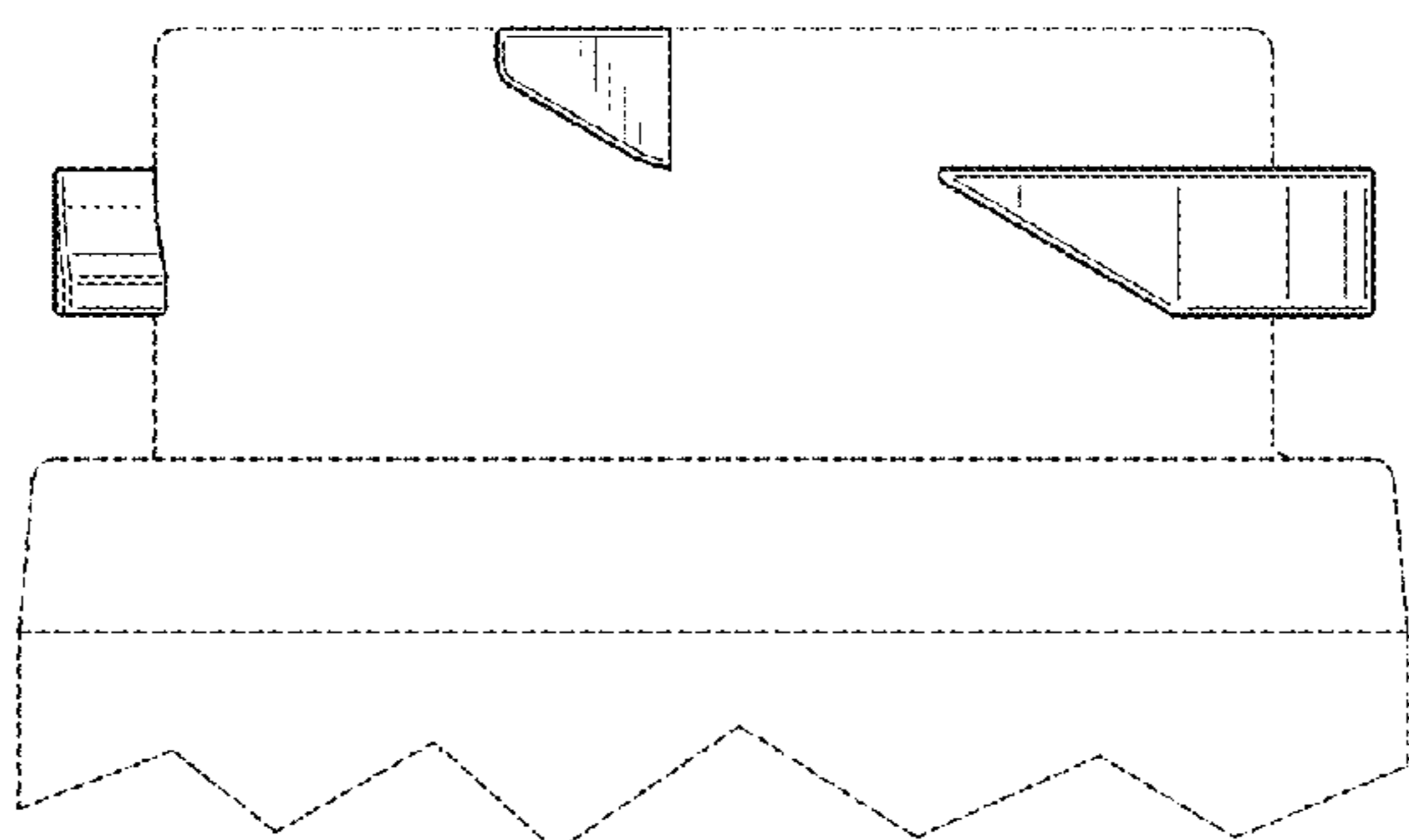


Fig. 3

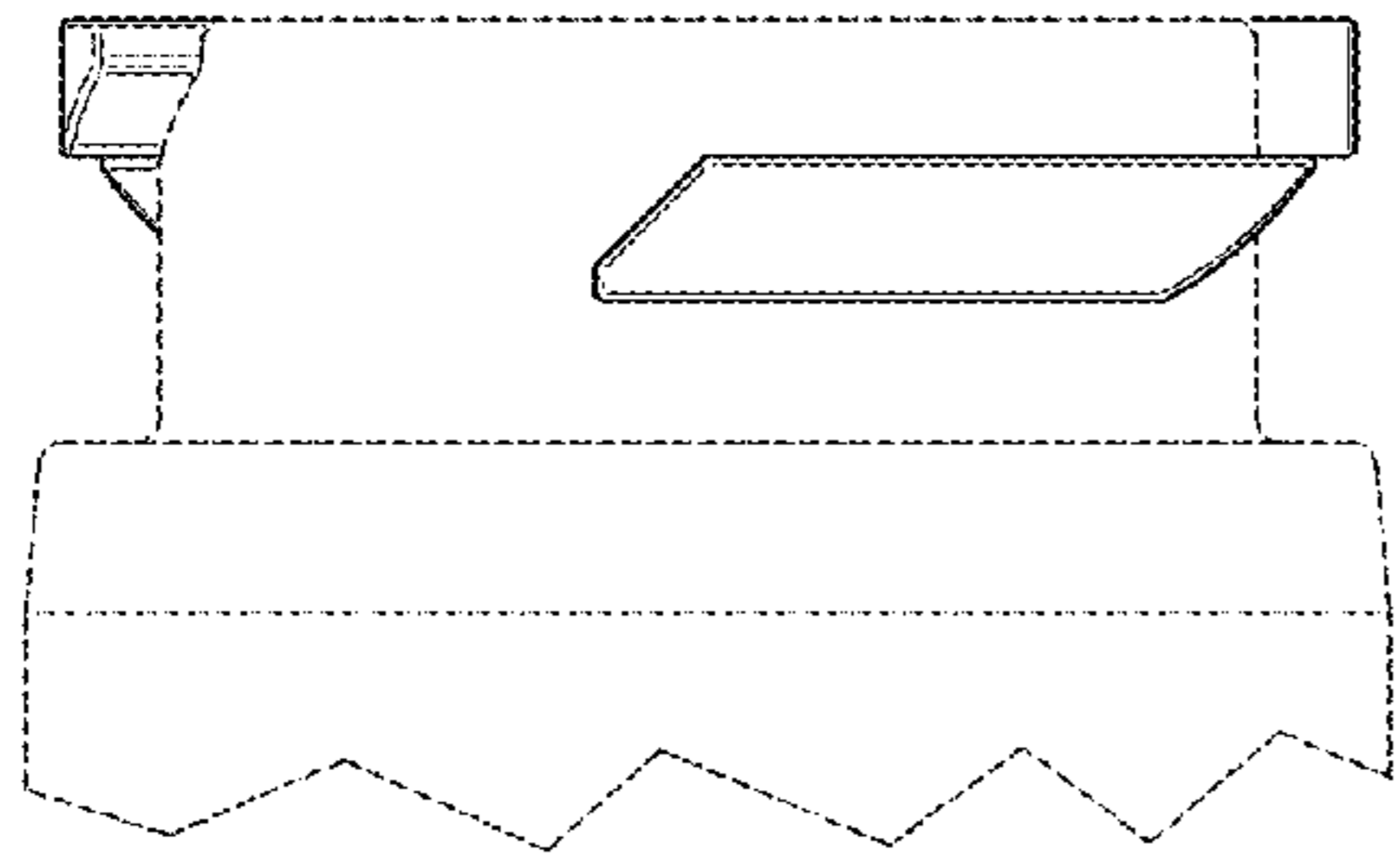


Fig. 4

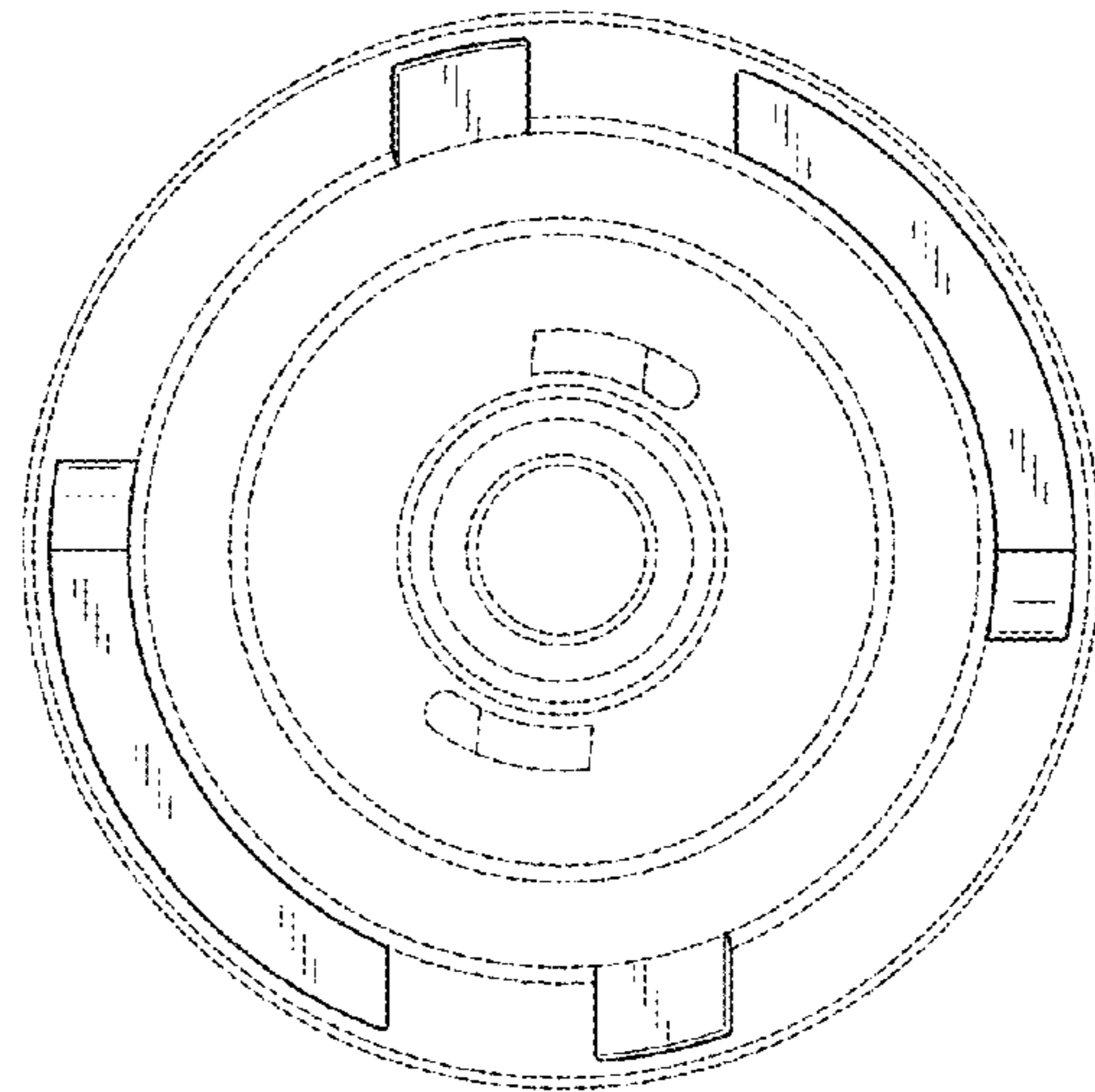


Fig. 5

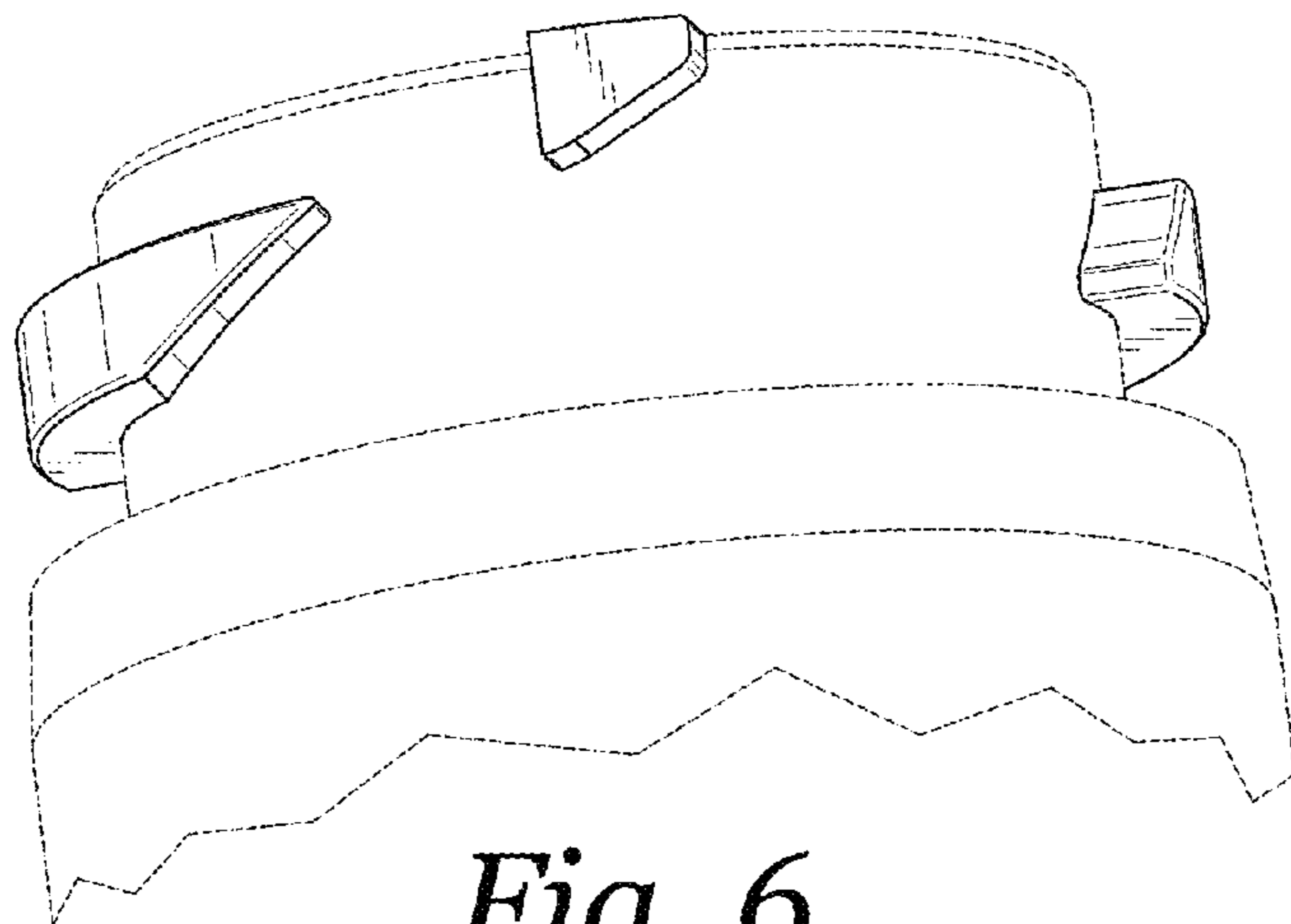


Fig. 6