



US00D750736S

(12) **United States Design Patent**
Enomoto

(10) **Patent No.:** **US D750,736 S**
(45) **Date of Patent:** **** Mar. 1, 2016**

(54) **CARTRIDGE FOR A WATER PURIFIER**

(71) Applicant: **NOK CORPORATION**, Tokyo (JP)

(72) Inventor: **Masami Enomoto**, Shizuoka-ken (JP)

(73) Assignee: **Nok Corporation**, Tokyo (JP)

(**) Term: **14 Years**

(21) Appl. No.: **29/513,279**

(22) Filed: **Dec. 30, 2014**

(30) **Foreign Application Priority Data**

Jul. 4, 2014 (JP) 2014-014732

(51) **LOC (10) Cl.** **23-01**

(52) **U.S. Cl.**
USPC **D23/207**

(58) **Field of Classification Search**
USPC D23/207, 209; 210/232, 282, 238
CPC B01D 35/30; C02F 1/003
See application file for complete search history.

(56) **References Cited**

U.S. PATENT DOCUMENTS

- D254,145 S * 2/1980 Wilcock D23/209
- D404,797 S * 1/1999 Jameson D23/209
- D410,274 S * 5/1999 Bradshaw D23/209
- 5,997,734 A * 12/1999 Koski B01D 35/143
210/100
- D441,421 S * 5/2001 Aldred D23/209
- 6,325,929 B1 * 12/2001 Bassett B01D 61/18
210/238
- D496,986 S * 10/2004 King D23/209
- D547,820 S * 7/2007 Fraser D23/207
- D570,951 S * 6/2008 Morita D23/209
- D594,088 S * 6/2009 Pritchard D23/207

- D609,775 S * 2/2010 Zukor D23/209
- D696,745 S * 12/2013 Hammerback D23/209
- D716,909 S * 11/2014 Hammarback D23/209
- D717,396 S * 11/2014 Hammarback D23/209
- D717,397 S * 11/2014 Hammarback D23/209
- D717,912 S * 11/2014 Huda D23/209

FOREIGN PATENT DOCUMENTS

- JP 1229511 2/2005
- JP 1282579 10/2006
- JP 1294941 2/2007
- JP 1397420 9/2010
- JP 1488927 1/2014

* cited by examiner

Primary Examiner — Robin V Webster

(74) *Attorney, Agent, or Firm* — Caesar Rivise, PC

(57) **CLAIM**

The ornamental design for a cartridge for a water purifier, as shown and described.

DESCRIPTION

FIG. 1 is a front perspective view of a cartridge for a water purifier showing my new design;
 FIG. 2 is a rear perspective view thereof;
 FIG. 3 is a front view thereof, the top and bottom views being identical to FIG. 3;
 FIG. 4 is a rear view thereof;
 FIG. 5 is a right side view thereof;
 FIG. 6 is a left side view thereof;
 FIG. 7 is a cross-sectional view taken along line 7-7 in FIG. 3;
 FIG. 8 is a cross-sectional view taken along line 8-8 in FIG. 3;
 and,
 FIG. 9 is a cross-sectional view taken along line 9-9 in FIG. 3.

1 Claim, 9 Drawing Sheets

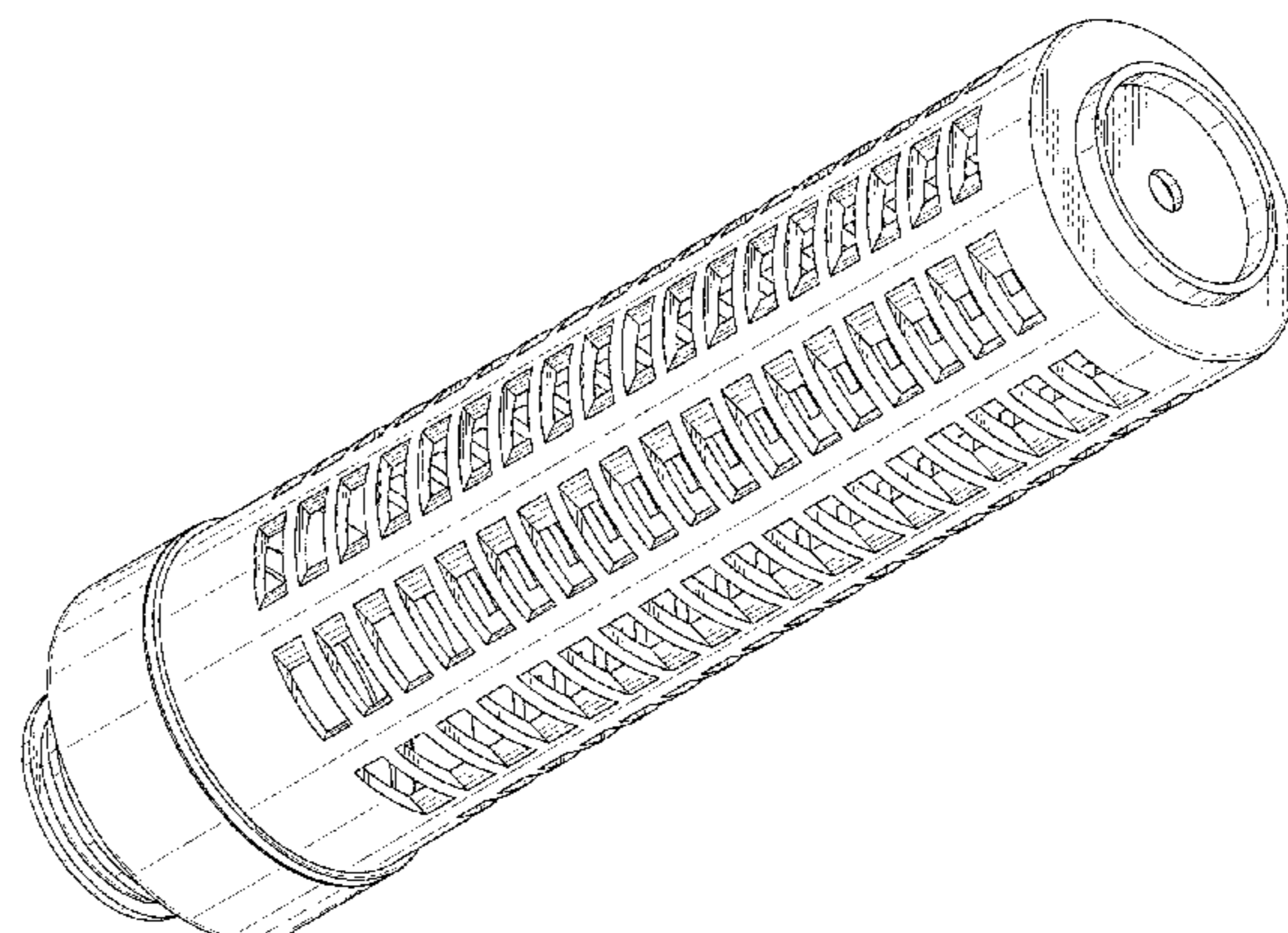
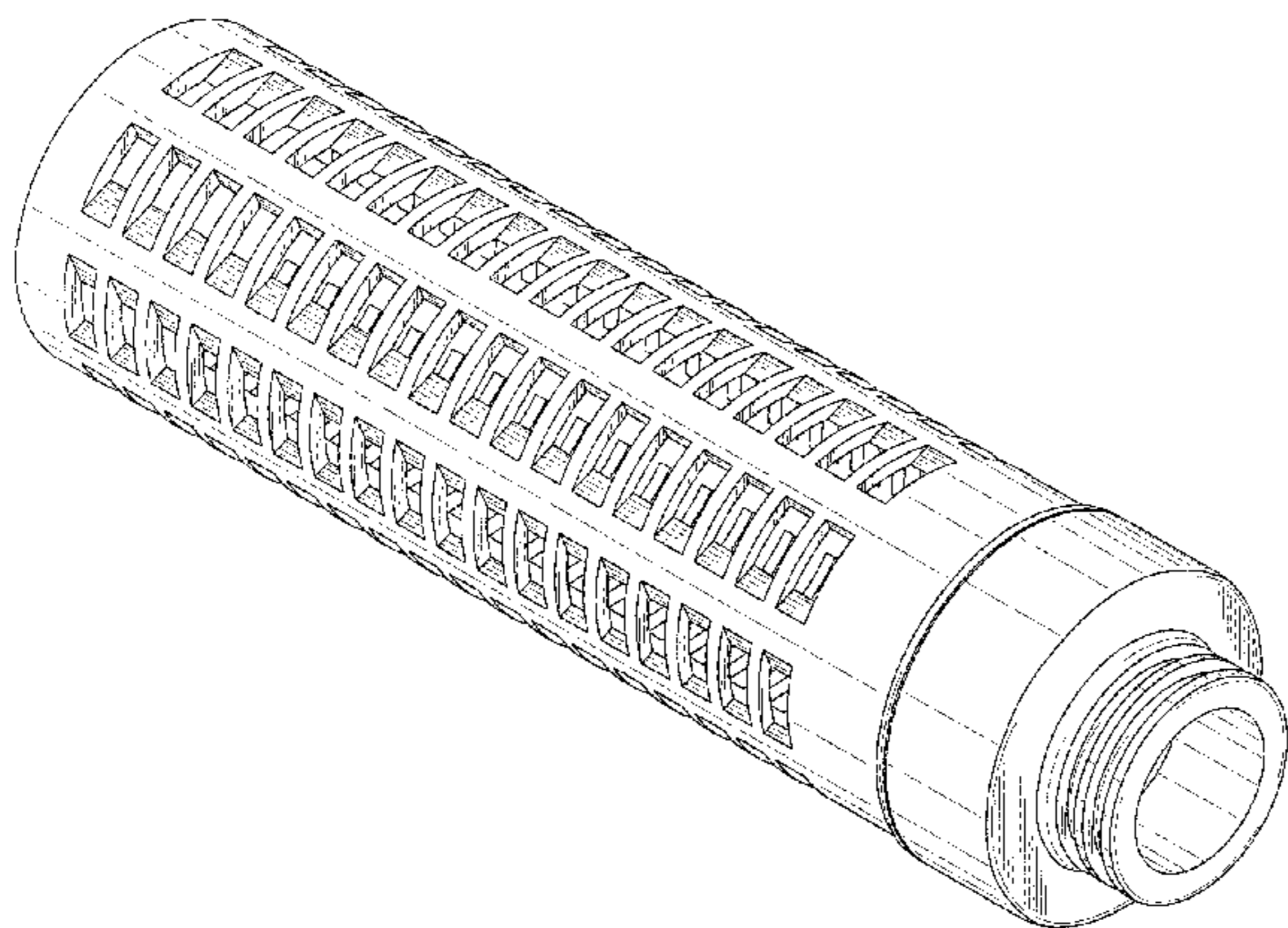
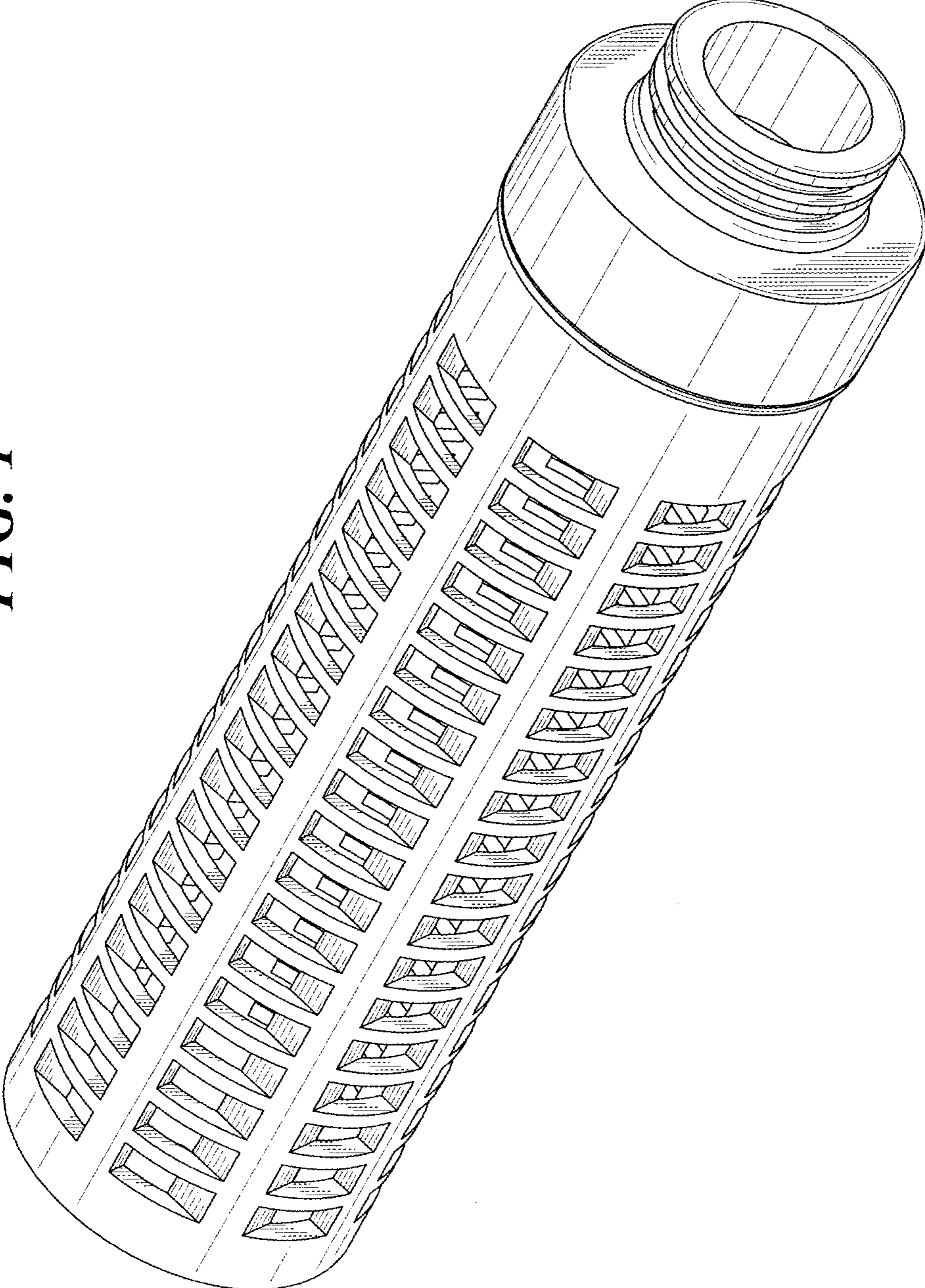


FIG. 1



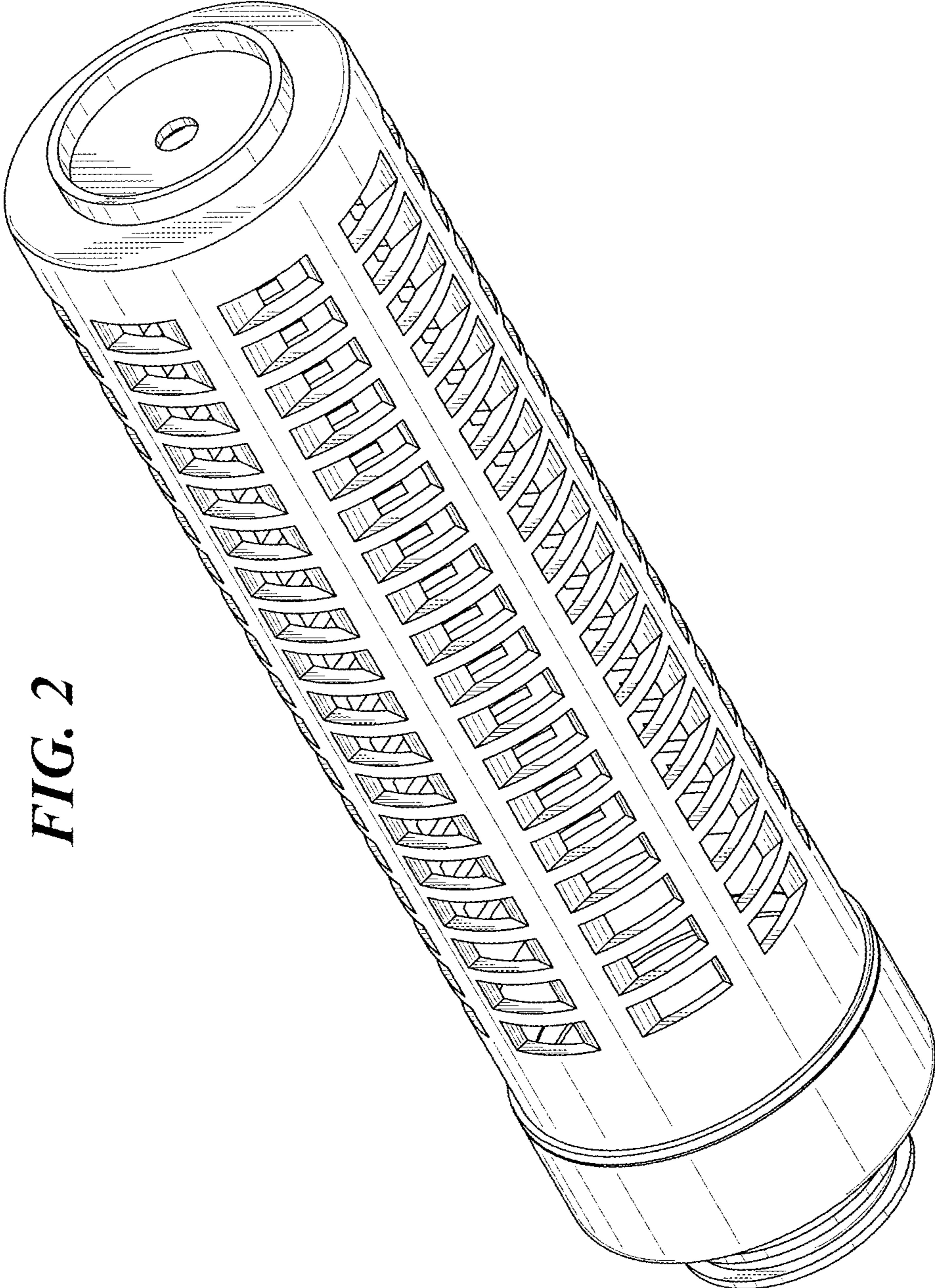


FIG. 2

FIG. 3

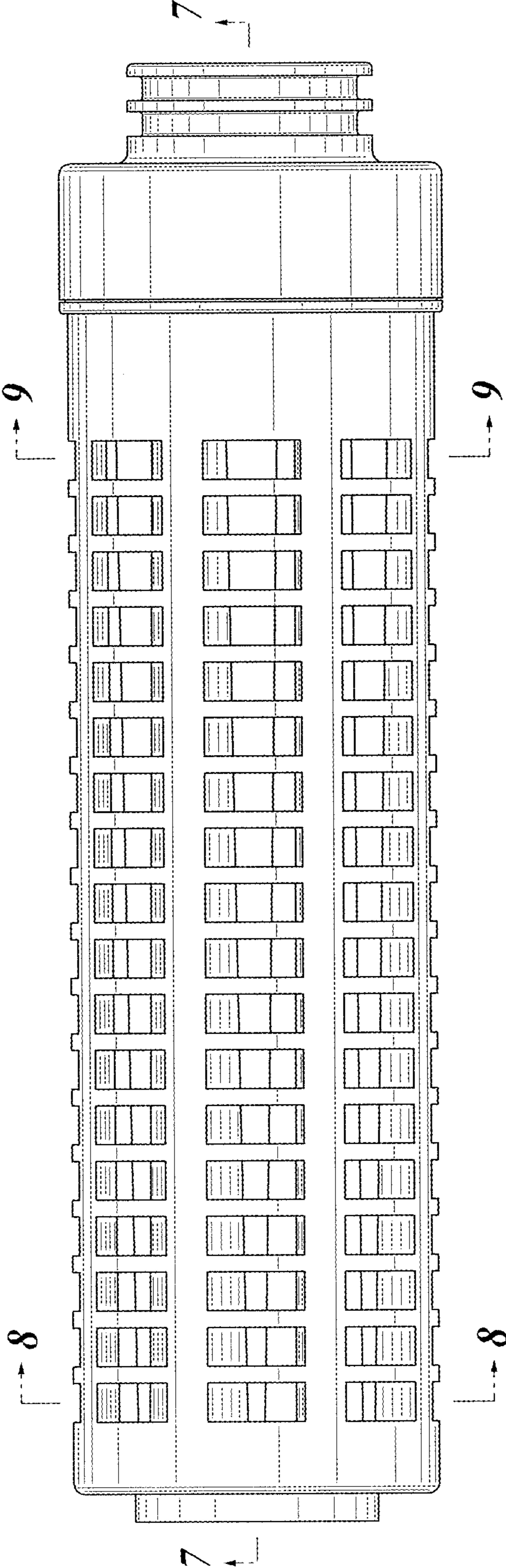


FIG. 4

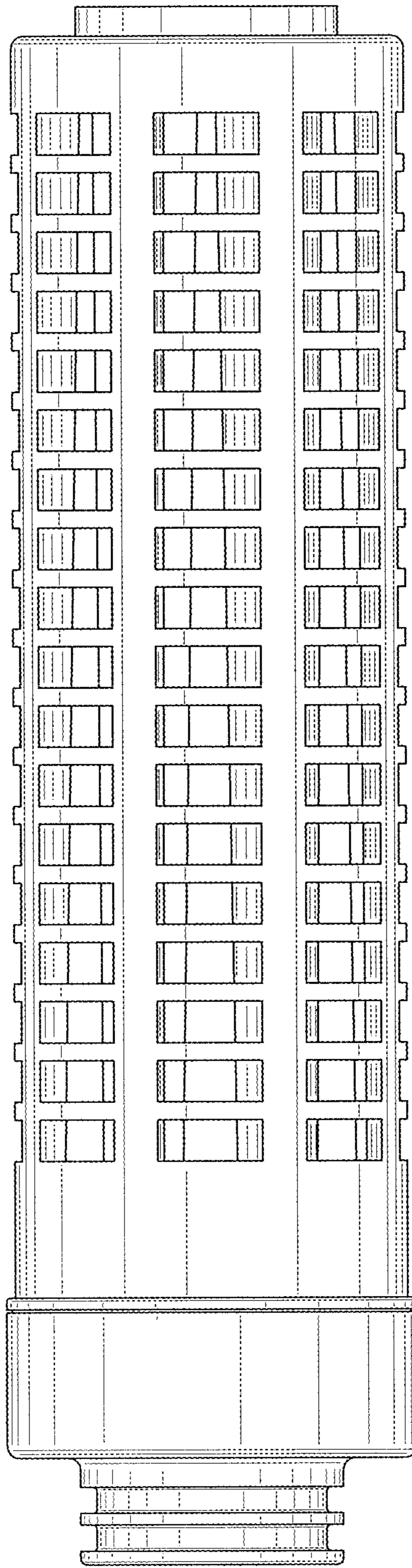


FIG. 5

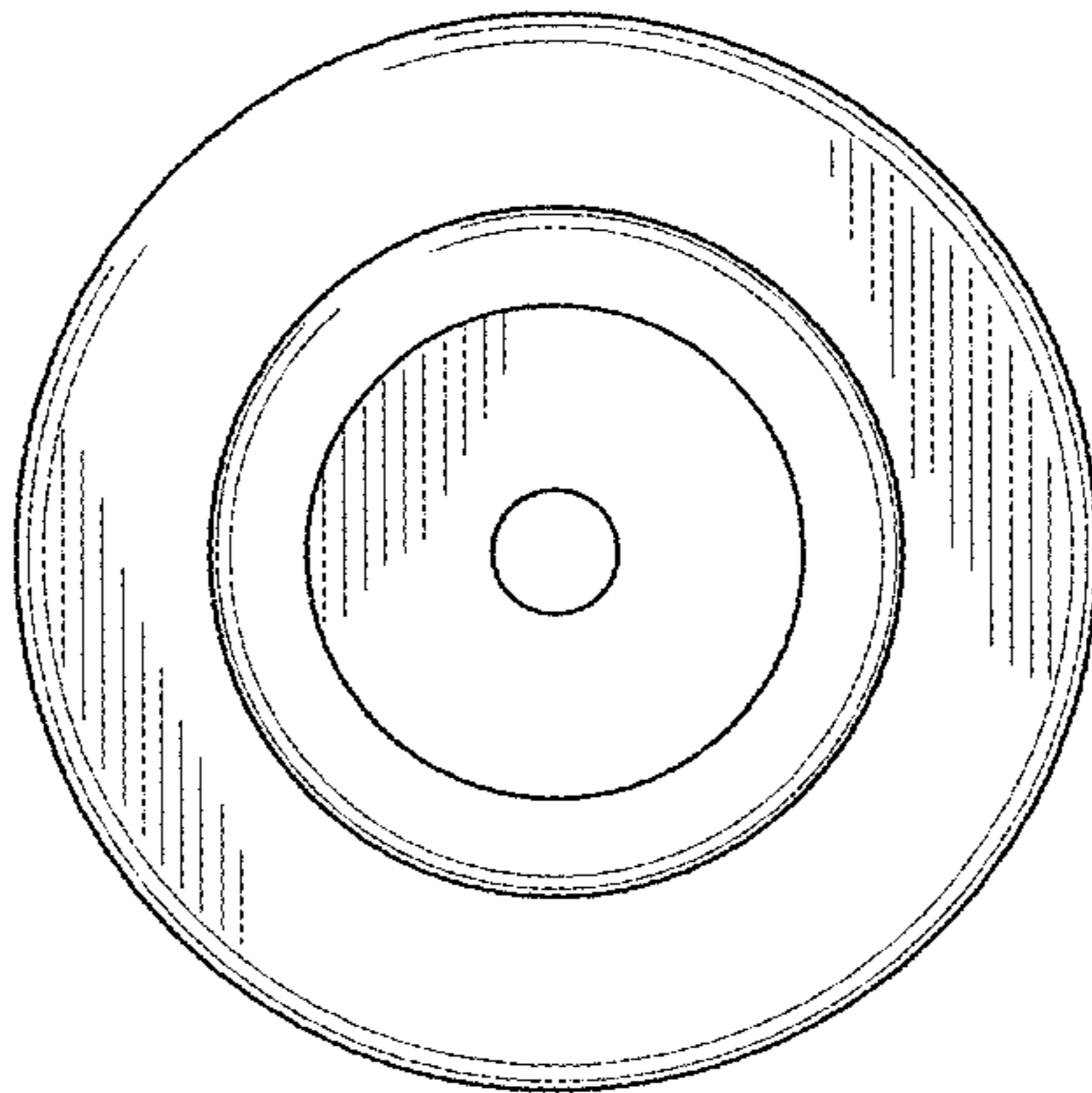


FIG. 6

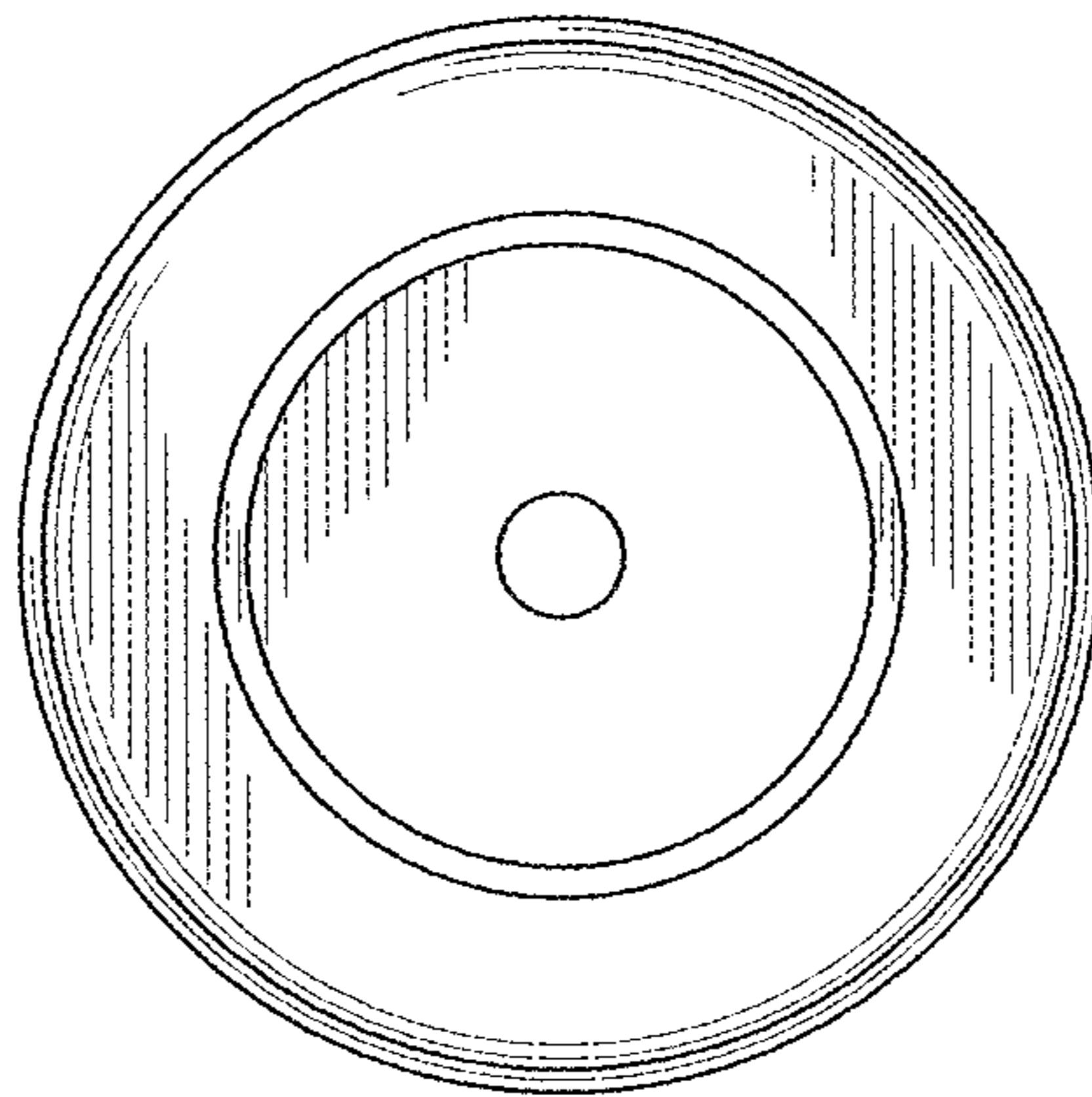


FIG. 7

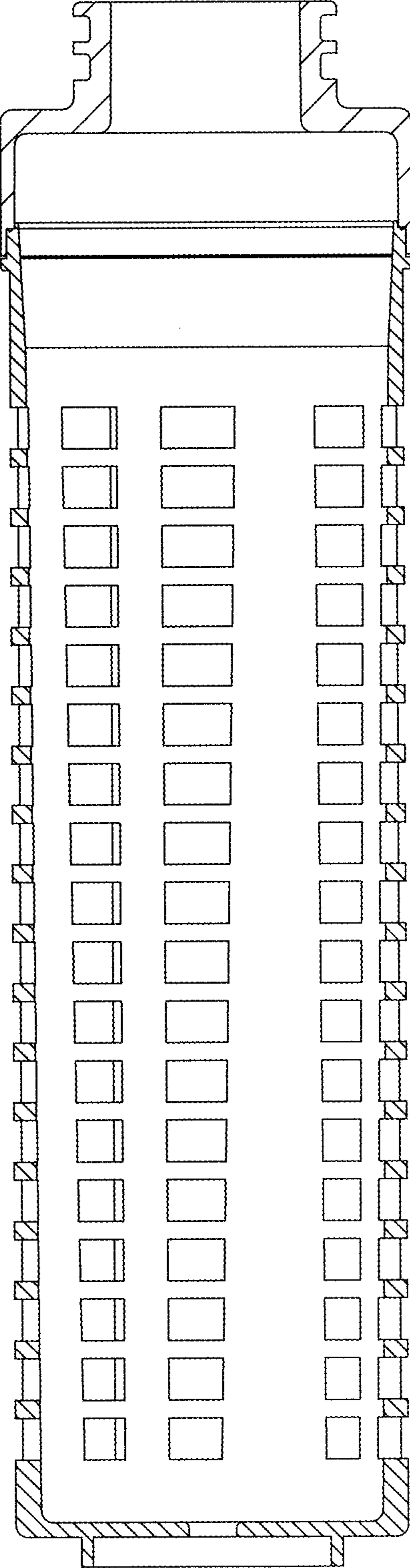


FIG. 8

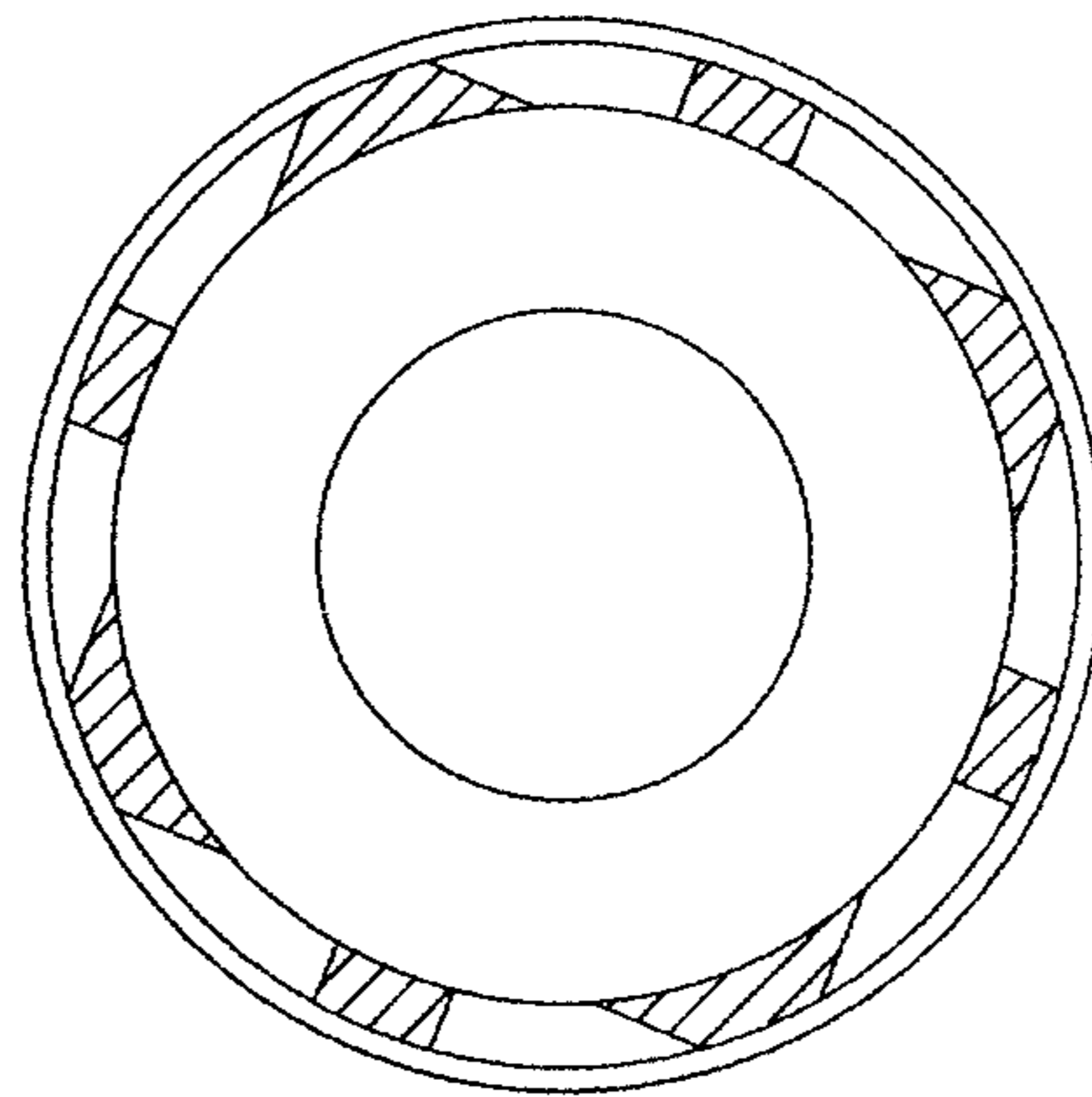


FIG. 9

