

US00D750735S

(12) **United States Design Patent**
Nakamichi

(10) **Patent No.:** **US D750,735 S**
(45) **Date of Patent:** **** Mar. 1, 2016**

(54) **FISHING ROD HOLDER AND ANCHOR**

(71) Applicant: **Alton Y. Nakamichi**, Hilo, HI (US)

(72) Inventor: **Alton Y. Nakamichi**, Hilo, HI (US)

(**) Term: **14 Years**

(21) Appl. No.: **29/510,324**

(22) Filed: **Nov. 26, 2014**

(51) **LOC (10) Cl.** **22-05**

(52) **U.S. Cl.**
USPC **D22/147**

(58) **Field of Classification Search**
USPC D22/147, 134; 43/21.2; 248/125.1, 156,
248/517-518

CPC A01K 97/10; E04H 12/2215
See application file for complete search history.

(56) **References Cited**

U.S. PATENT DOCUMENTS

1,577,612	A	3/1926	Dees	
2,665,866	A	1/1954	Goldinger	
2,952,432	A *	9/1960	Valdez A01K 97/10 248/518
3,339,869	A	9/1967	Andersen	
4,257,181	A	3/1981	Cooper	
4,748,762	A	6/1988	Campbell	
5,349,775	A *	9/1994	Mondares A01K 97/10

				248/125.1
D374,062	S *	9/1996	Carter D22/147
D409,274	S *	5/1999	Morse, Jr. D22/147
7,216,453	B1	5/2007	Higgins	
D589,588	S *	3/2009	Begaye D22/147
7,568,306	B1	8/2009	Rice, Sr.	

* cited by examiner

Primary Examiner — Catheri Oliver-Garcia
(74) *Attorney, Agent, or Firm* — Robert C. Montgomery;
Montgomery Patent & Design, LLC

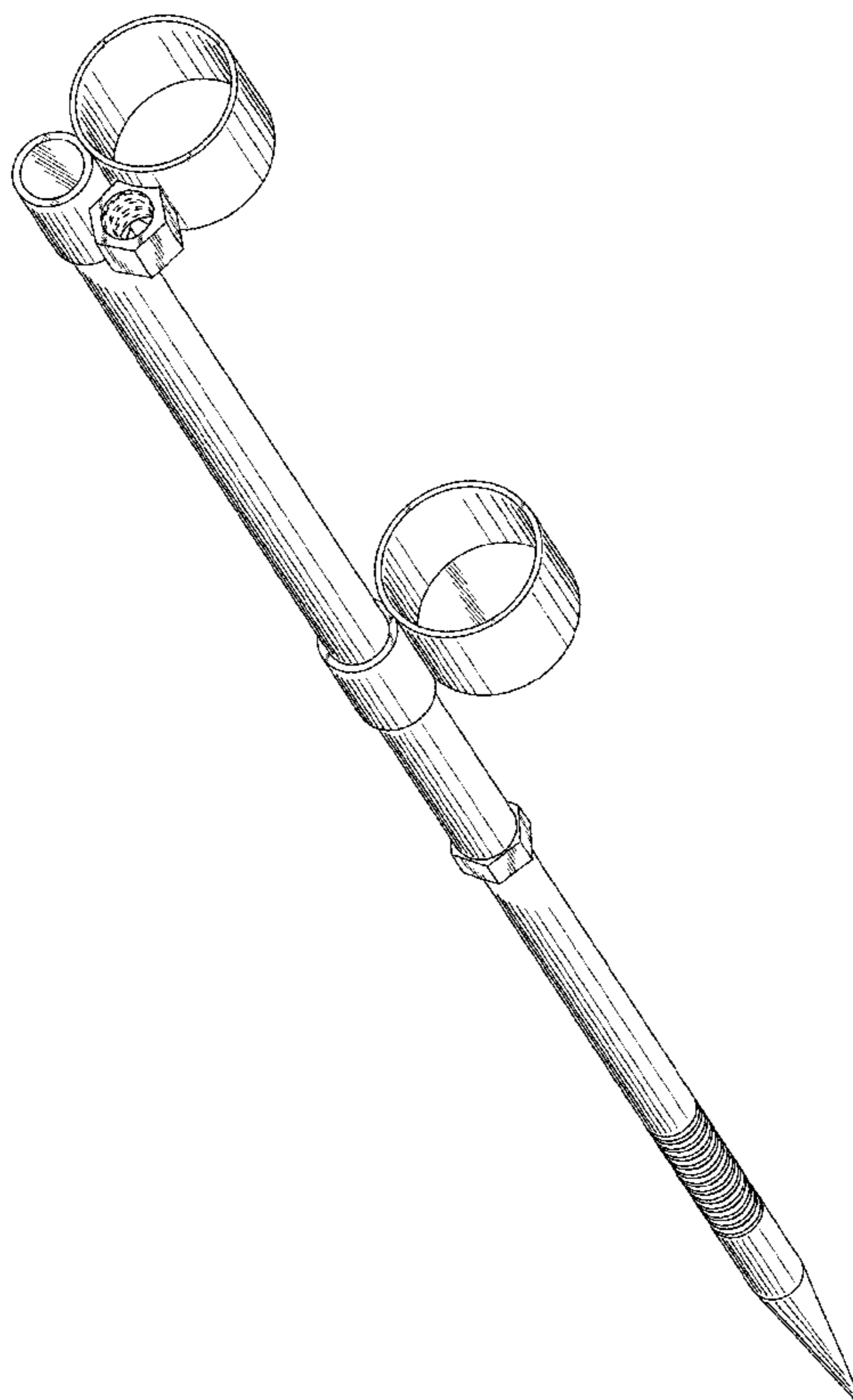
(57) **CLAIM**

The ornamental design for a fishing rod holder and anchor, as shown and described.

DESCRIPTION

FIG. 1 is a top perspective view of the fishing rod holder and anchor, showing my new design;
FIG. 2 is a bottom perspective view thereof;
FIG. 3 is a front view thereof;
FIG. 4 is a rear view thereof;
FIG. 5 is an enlarged top view thereof;
FIG. 6 is an enlarged bottom view thereof;
FIG. 7 is a top perspective view shown unassembled and bracketed; and,
FIG. 8 is a bottom perspective view shown unassembled and bracketed.

1 Claim, 7 Drawing Sheets



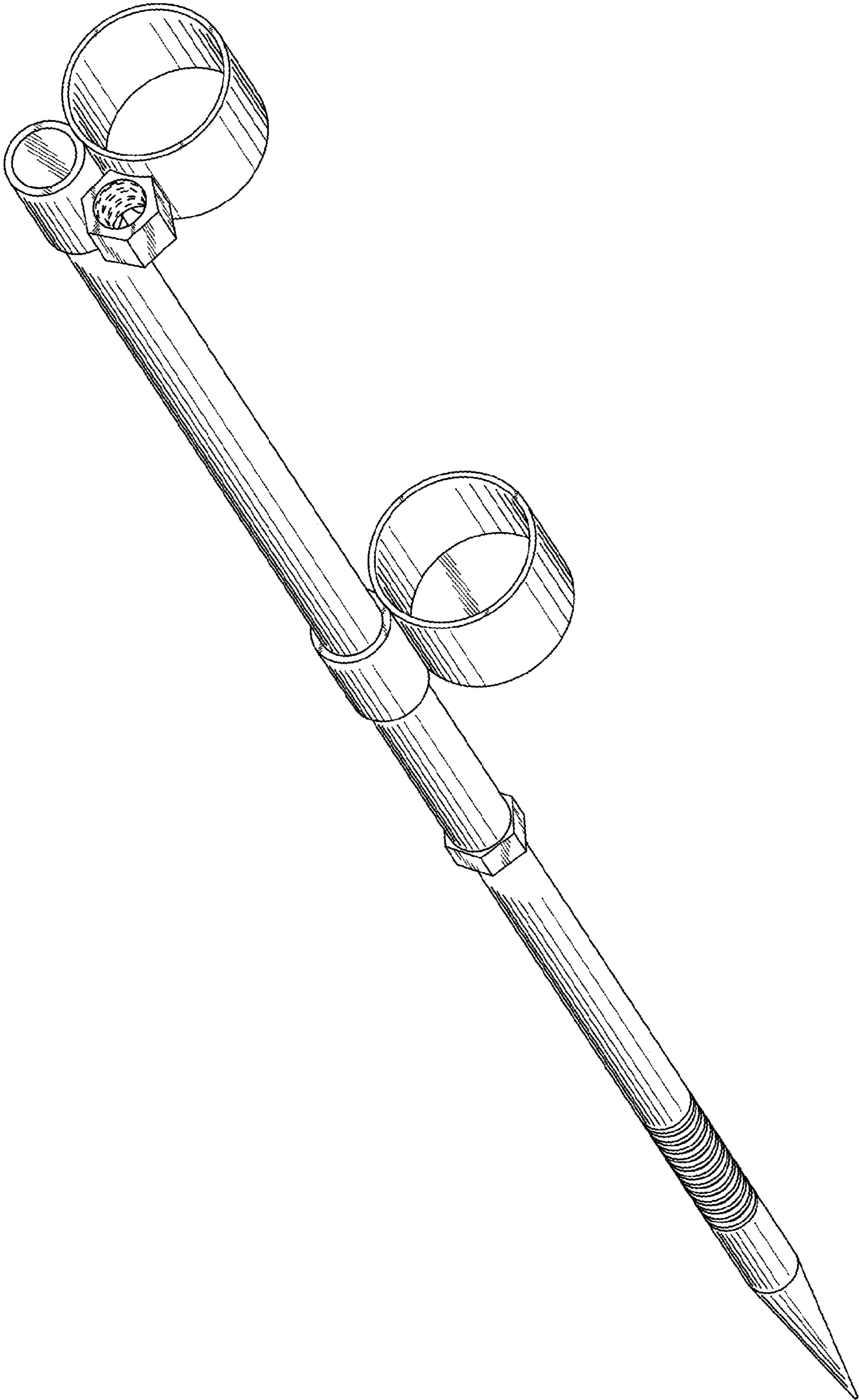


Fig. 1

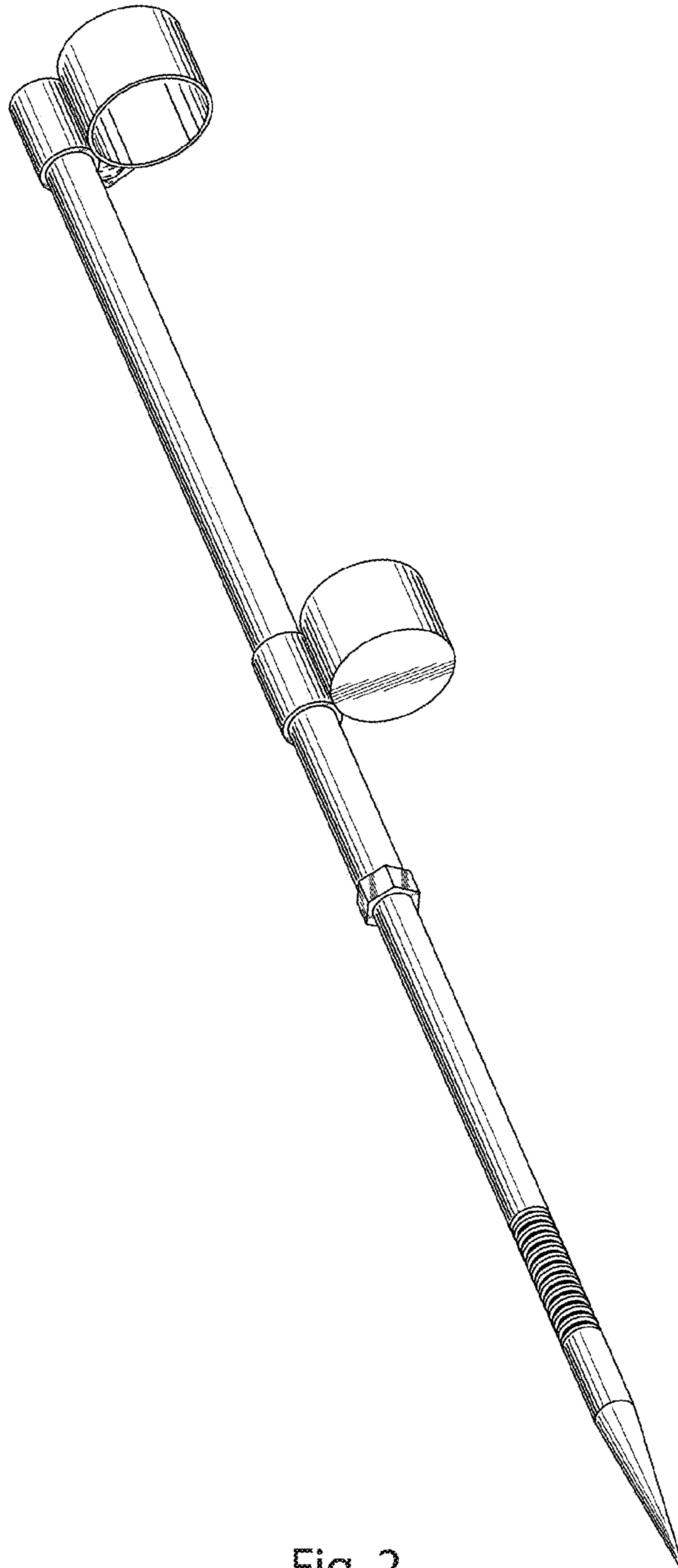


Fig. 2

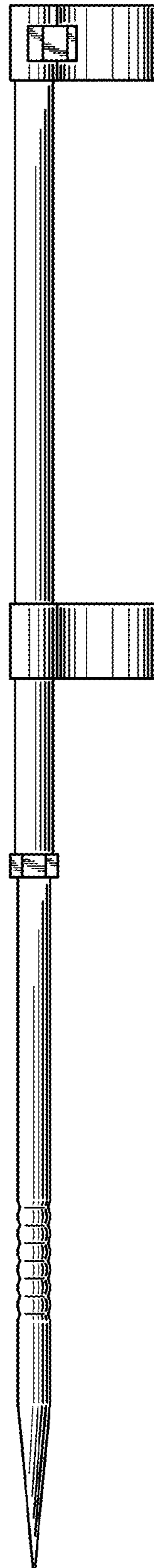


Fig. 3

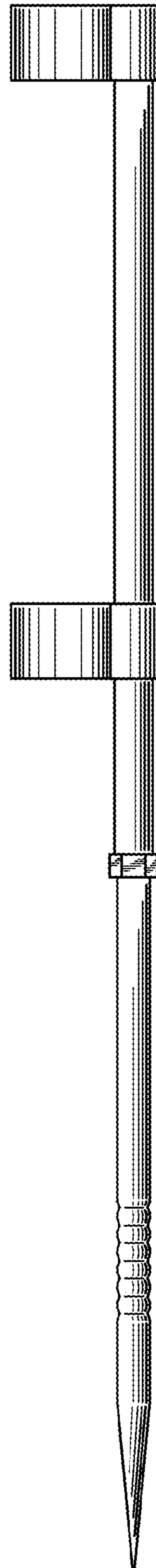


Fig. 4

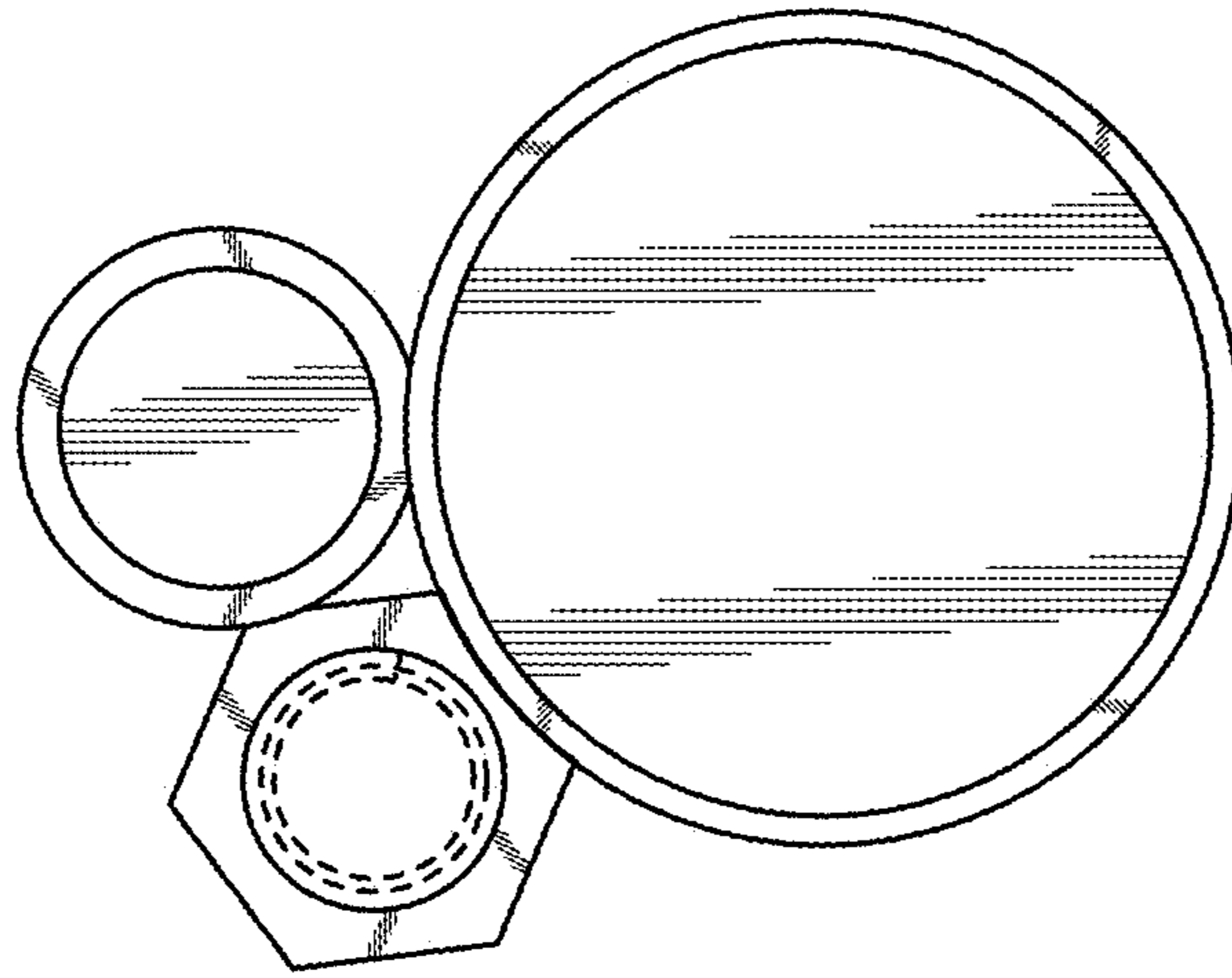


Fig. 5

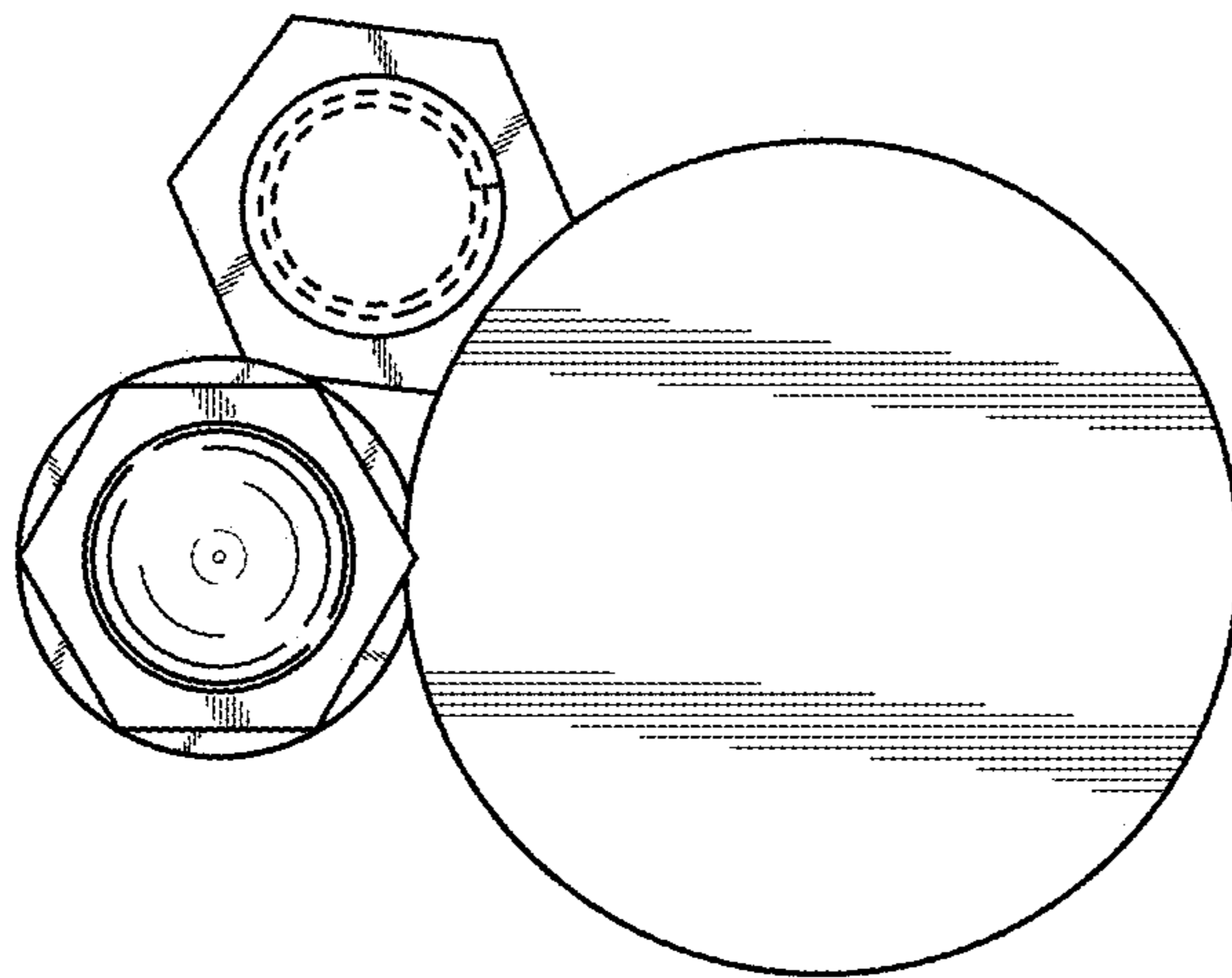


Fig. 6

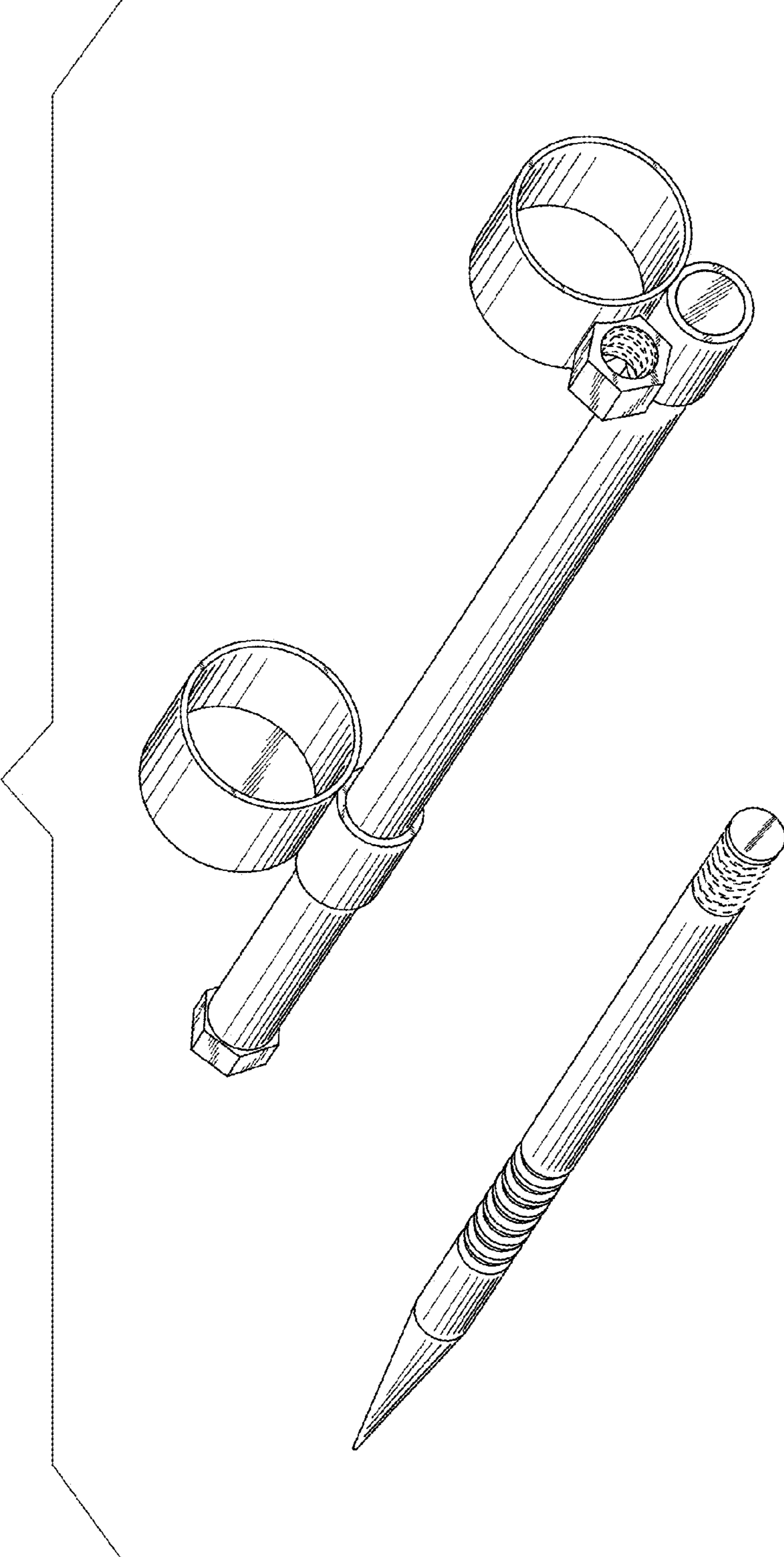


Fig. 7

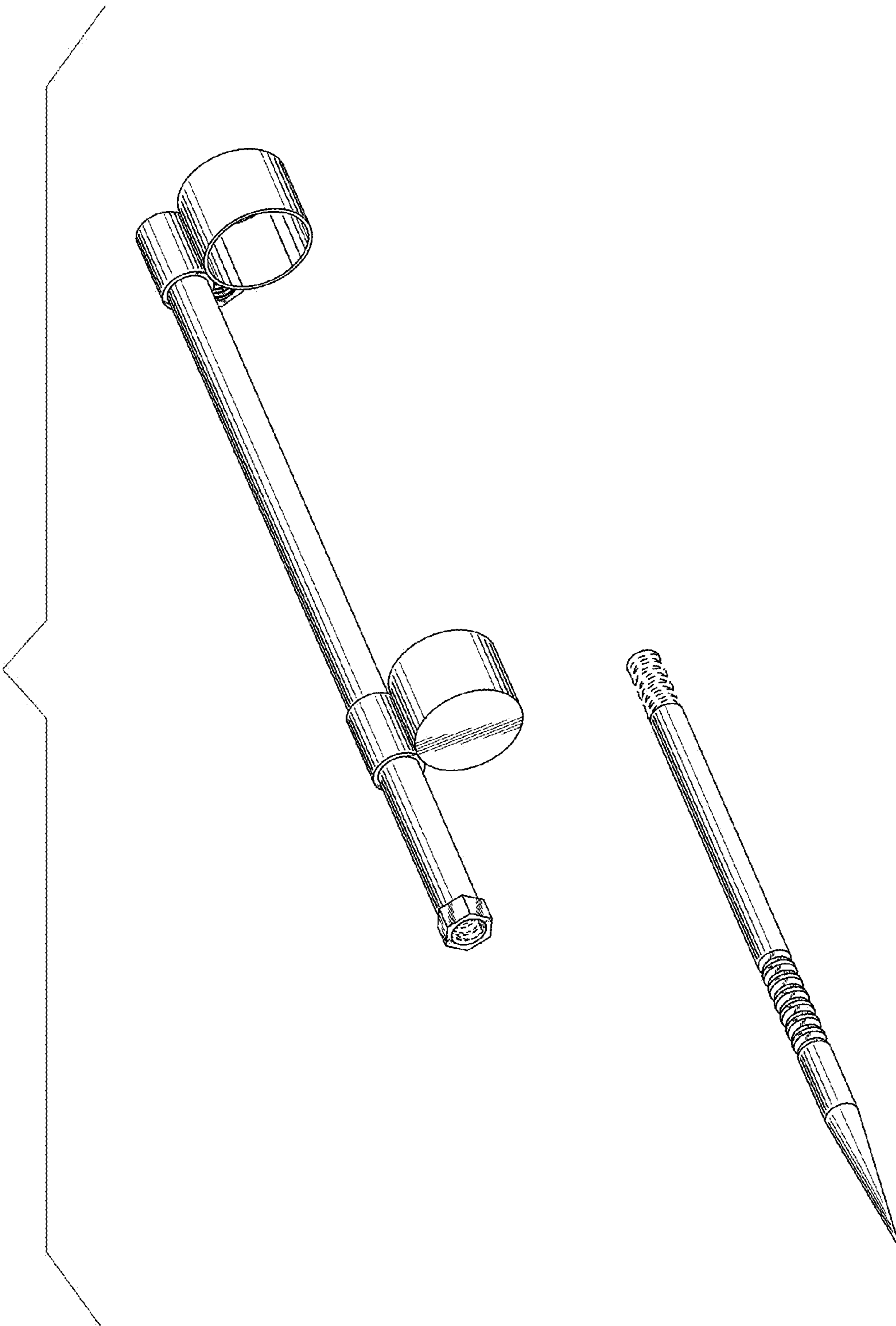


Fig. 8