

US00D750734S

(12) **United States Design Patent**
Brackett, Sr.

(10) **Patent No.:** **US D750,734 S**
(45) **Date of Patent:** **** Mar. 1, 2016**

- (54) **FISH HOOK SETTING DEVICE**
- (71) Applicant: **Jerk It, LLC**, Bokoshe, OK (US)
- (72) Inventor: **Paul E. Brackett, Sr.**, Van Buren, AR (US)
- (73) Assignee: **Jerk It, LLC**, Bokoshe, OK (US)
- (**) Term: **14 Years**
- (21) Appl. No.: **29/498,287**
- (22) Filed: **Aug. 1, 2014**
- (51) **LOC (10) Cl.** **22-05**
- (52) **U.S. Cl.**
USPC **D22/146**
- (58) **Field of Classification Search**
USPC D22/146, 134; 43/15-16, 44.87, 44.88
See application file for complete search history.

D371,421 S * 7/1996 Brackett, Sr. D22/134
 D396,521 S * 7/1998 Brackett, Sr. D22/134
 7,503,140 B2 * 3/2009 Polzin A01K 91/10
 43/15

* cited by examiner

Primary Examiner — Catheri Oliver-Garcia
(74) *Attorney, Agent, or Firm* — Head, Johnson & Kachigian, P.C.

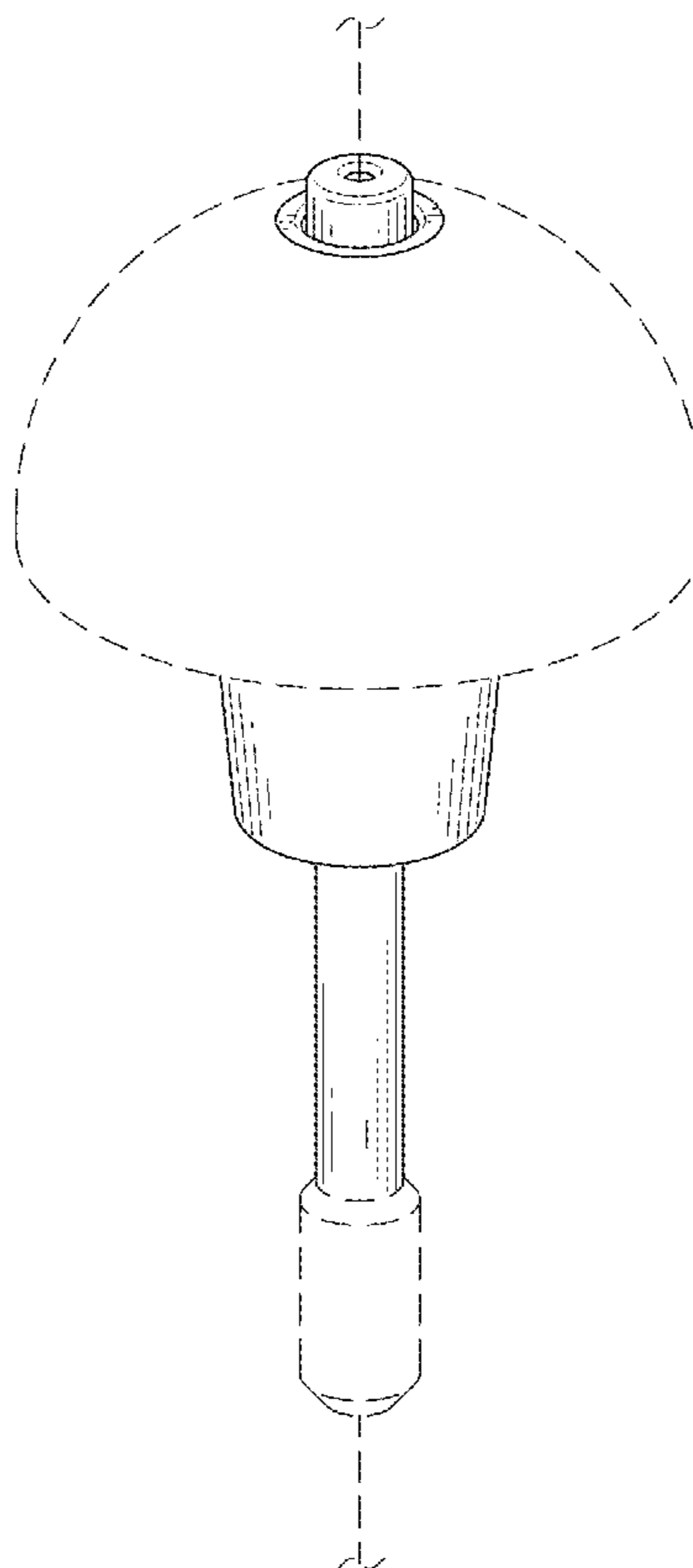
(57) **CLAIM**
The ornamental design for a fish hook setting device, as shown and described.

DESCRIPTION

FIG. 1 is a top perspective view of a fish hook setting device showing the design;
 FIG. 2 is a bottom perspective view thereof;
 FIG. 3 is an elevational view of FIG. 1, the opposite side, left and right side elevational views being mirror images thereof;
 FIG. 4 is a top plan view thereof; and,
 FIG. 5 is a bottom plan view of FIG. 1.
 The ornamental design which is claimed is shown in solid lines in the drawings. The broken lines of the drawings are for illustrative purposes only and form no part of the claimed design.

- (56) **References Cited**
U.S. PATENT DOCUMENTS
3,672,087 A * 6/1972 Milburn, Jr. A01K 93/00
43/44.88
D359,792 S * 6/1995 Chipalla, Jr. D22/134

1 Claim, 3 Drawing Sheets



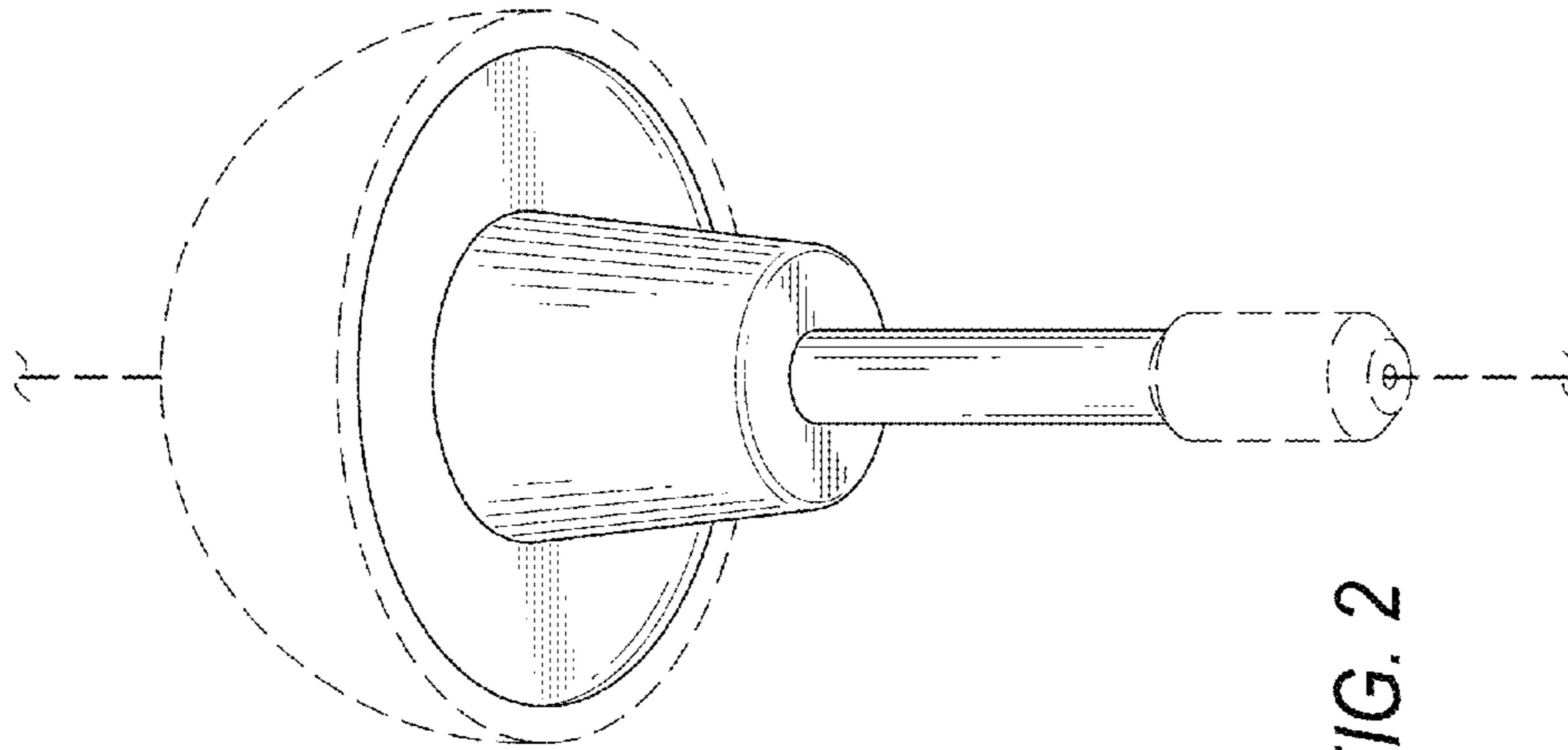


FIG. 2

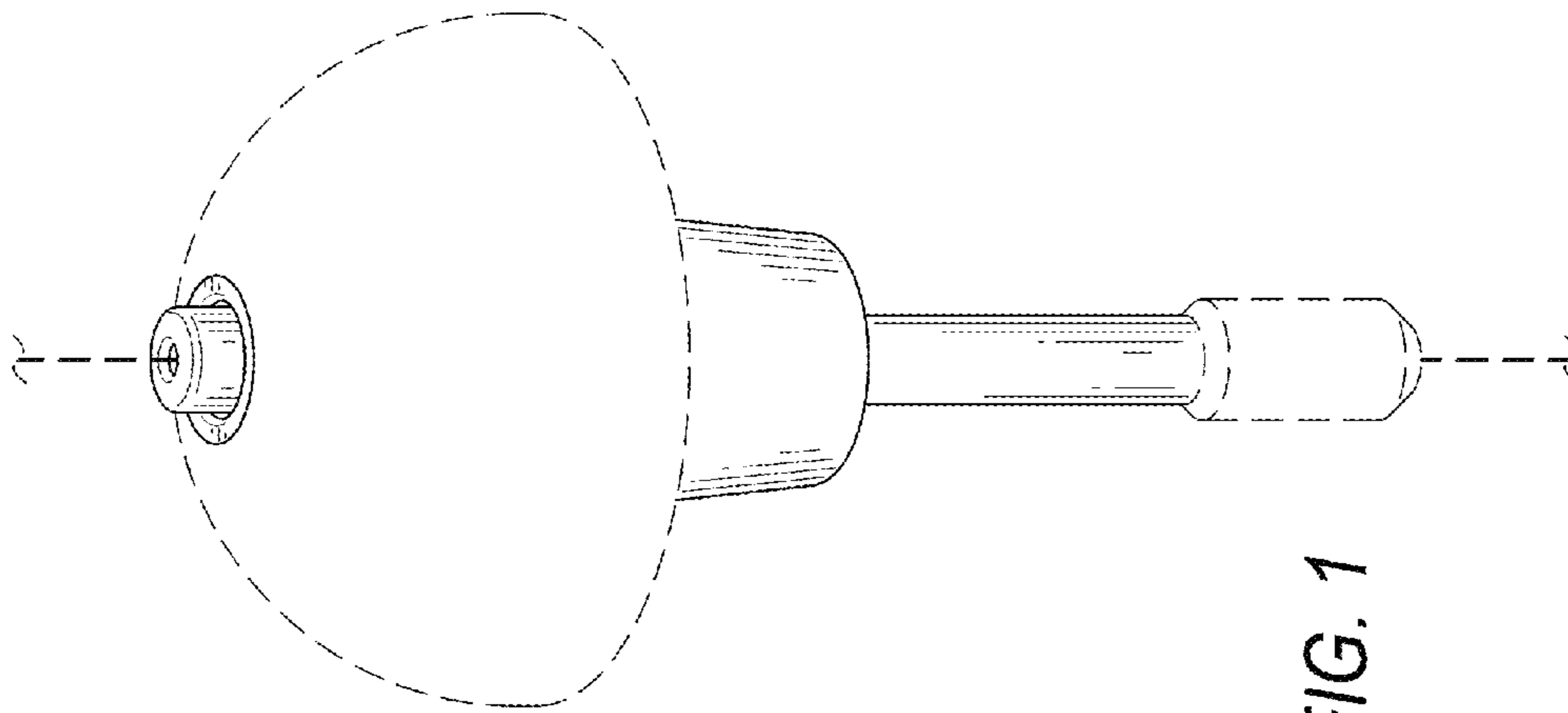


FIG. 1

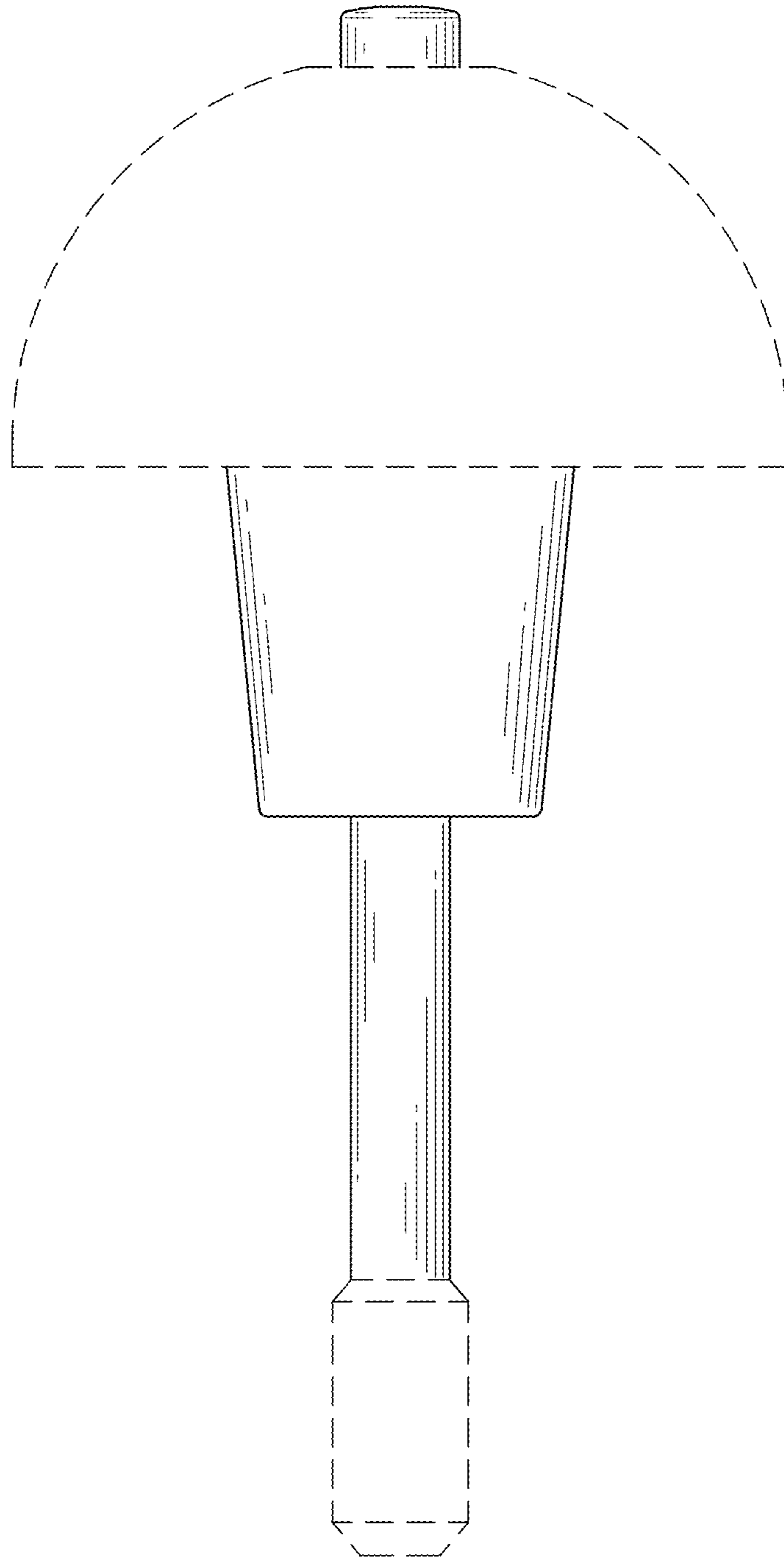


FIG. 3

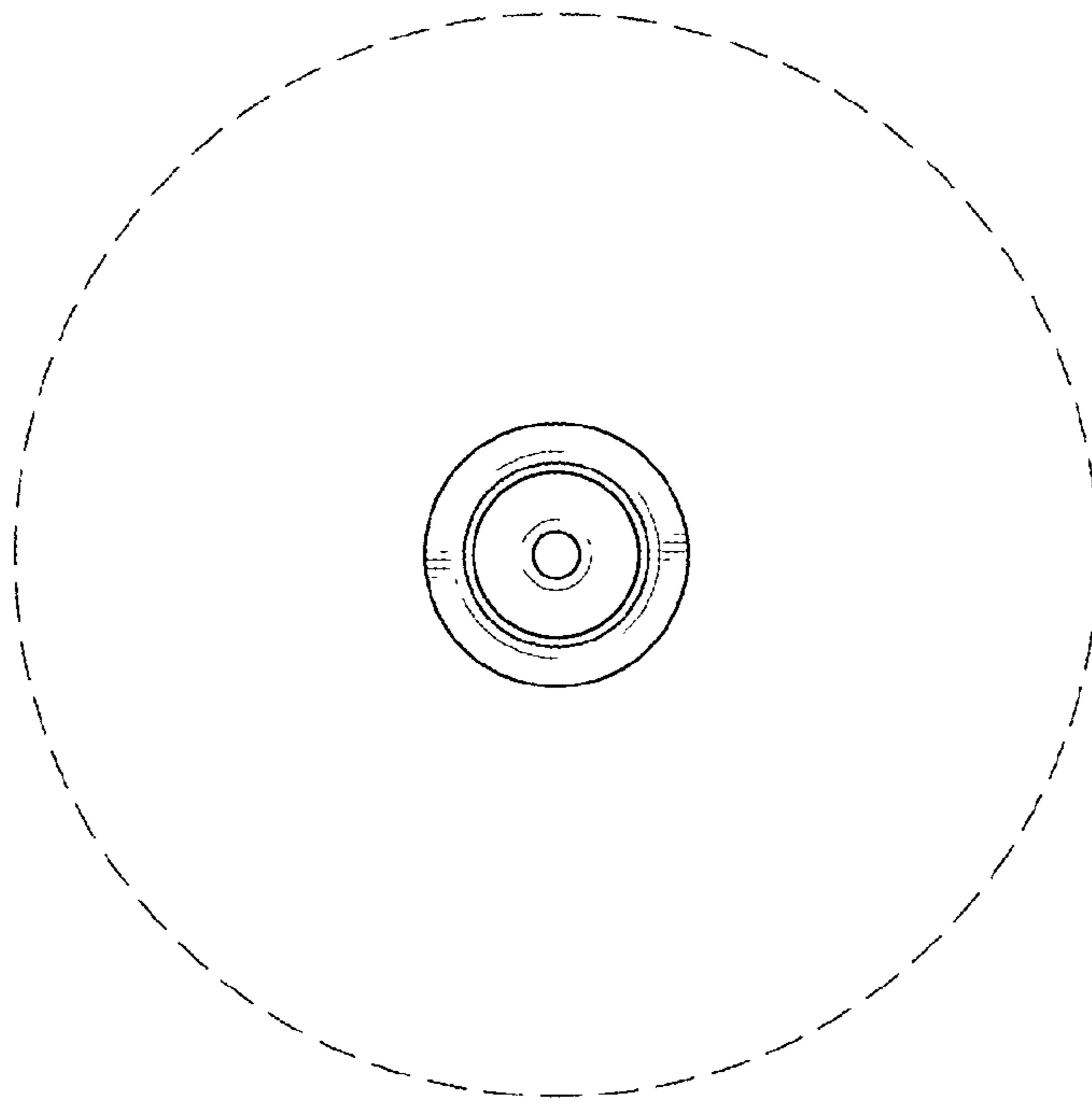


FIG. 4

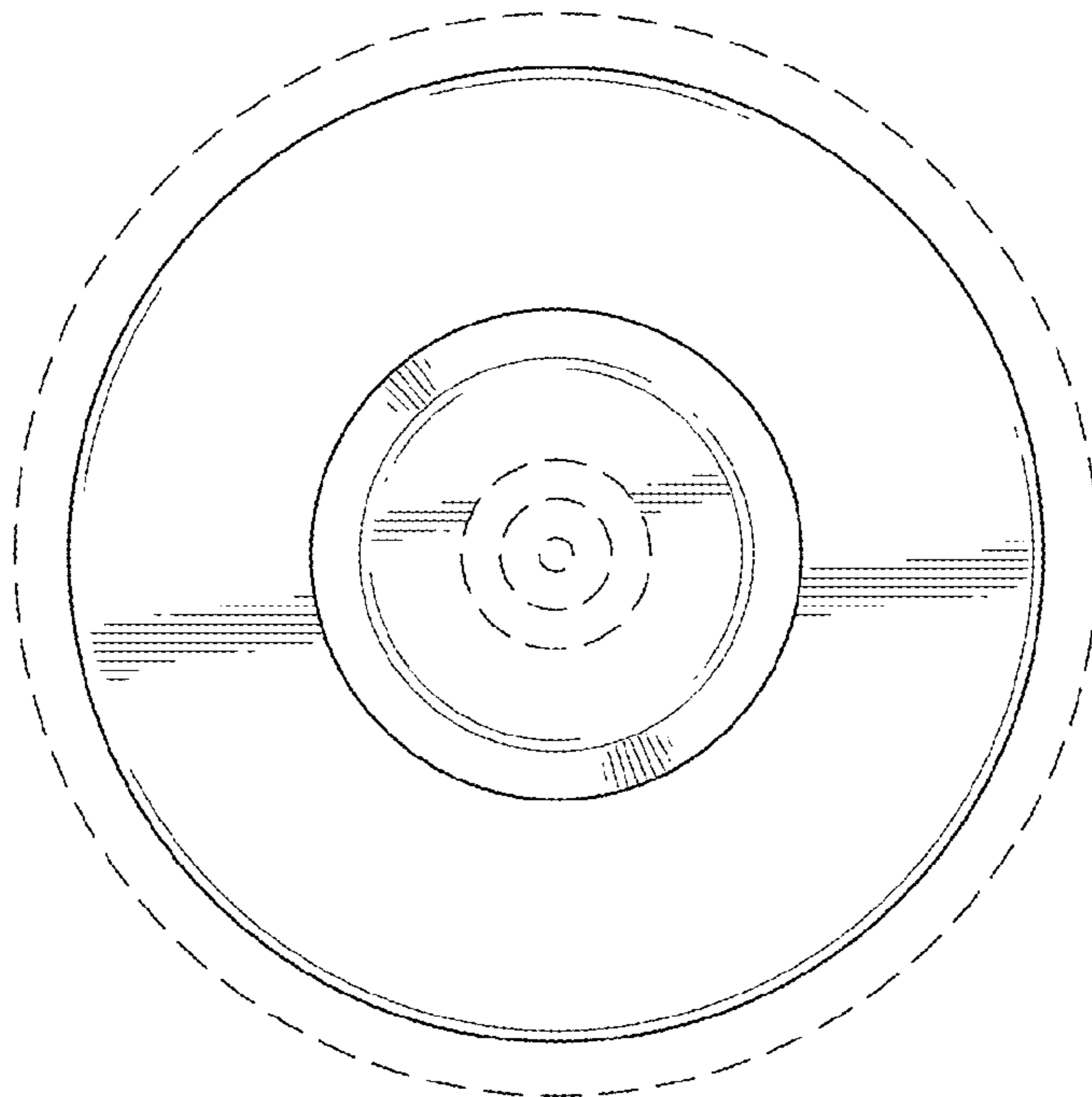


FIG. 5