



US00D750732S

(12) **United States Design Patent**
Saunders

(10) **Patent No.:** **US D750,732 S**
(45) **Date of Patent:** **** Mar. 1, 2016**

(54) **HOLDER FOR RIGGING ATTACHMENT FOR USE ON A FISHING ROD OR POLE**

(71) Applicant: **Mick B. Saunders**, Plainwell, MI (US)

(72) Inventor: **Mick B. Saunders**, Plainwell, MI (US)

(**) Term: **14 Years**

(21) Appl. No.: **29/509,560**

(22) Filed: **Nov. 19, 2014**

(51) **LOC (10) Cl.** **22-05**

(52) **U.S. Cl.**
USPC **D22/134**

(58) **Field of Classification Search**
USPC D22/134, 147, 149, 199; 43/19.2, 26.1, 43/27.4, 43.11; 242/260, 270, 282, 388.8, 242/396.9, 397.1
CPC A01K 91/00; A01K 91/08
See application file for complete search history.

(56) **References Cited**

U.S. PATENT DOCUMENTS

4,334,380 A * 6/1982 Daniels A01K 91/08
242/260
5,185,950 A * 2/1993 Hood A01K 91/08
43/19.2

5,638,628 A * 6/1997 Davis A01K 91/065
43/19.2
D513,781 S * 1/2006 Clary D22/147
D736,342 S * 8/2015 Flanagan D22/134

* cited by examiner

Primary Examiner — Catheri Oliver-Garcia

(74) *Attorney, Agent, or Firm* — Flynn, Thiel, Boutell & Tanis, P.C.

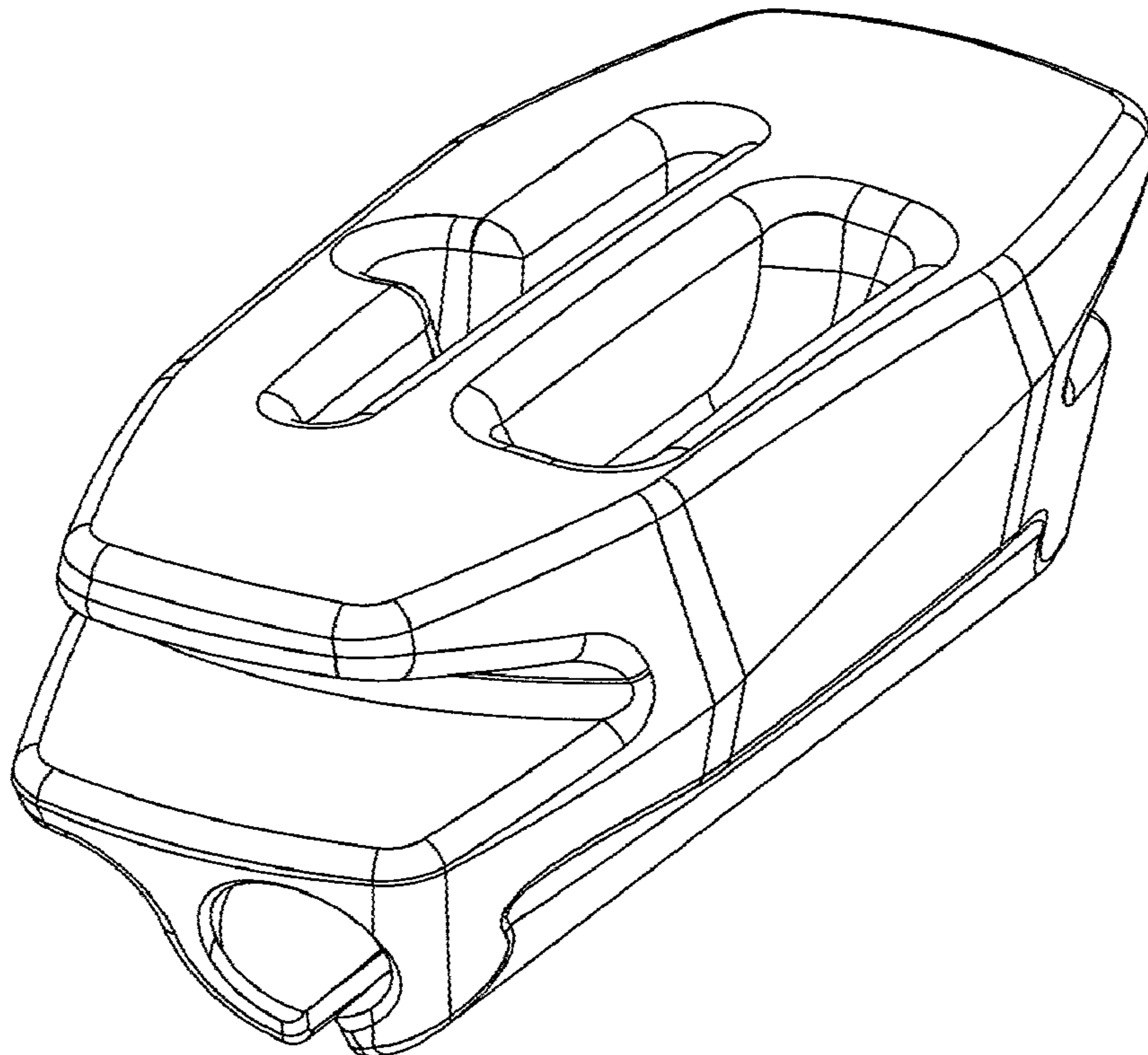
(57) **CLAIM**

The ornamental design for a holder for rigging attachment for use on a fishing rod or pole, as shown and described.

DESCRIPTION

FIG. 1 is a top, front, left end isometric view of a holder attachment embodying my invention;
FIG. 2 is a top, rear and left end isometric view of the holder attachment illustrated in FIG. 1;
FIG. 3 is a top view of the holder attachment;
FIG. 4 is a front view thereof;
FIG. 5 is a rear view thereof;
FIG. 6 is a left end view thereof;
FIG. 7 is a right end view thereof; and,
FIG. 8 is a bottom view thereof.

1 Claim, 5 Drawing Sheets



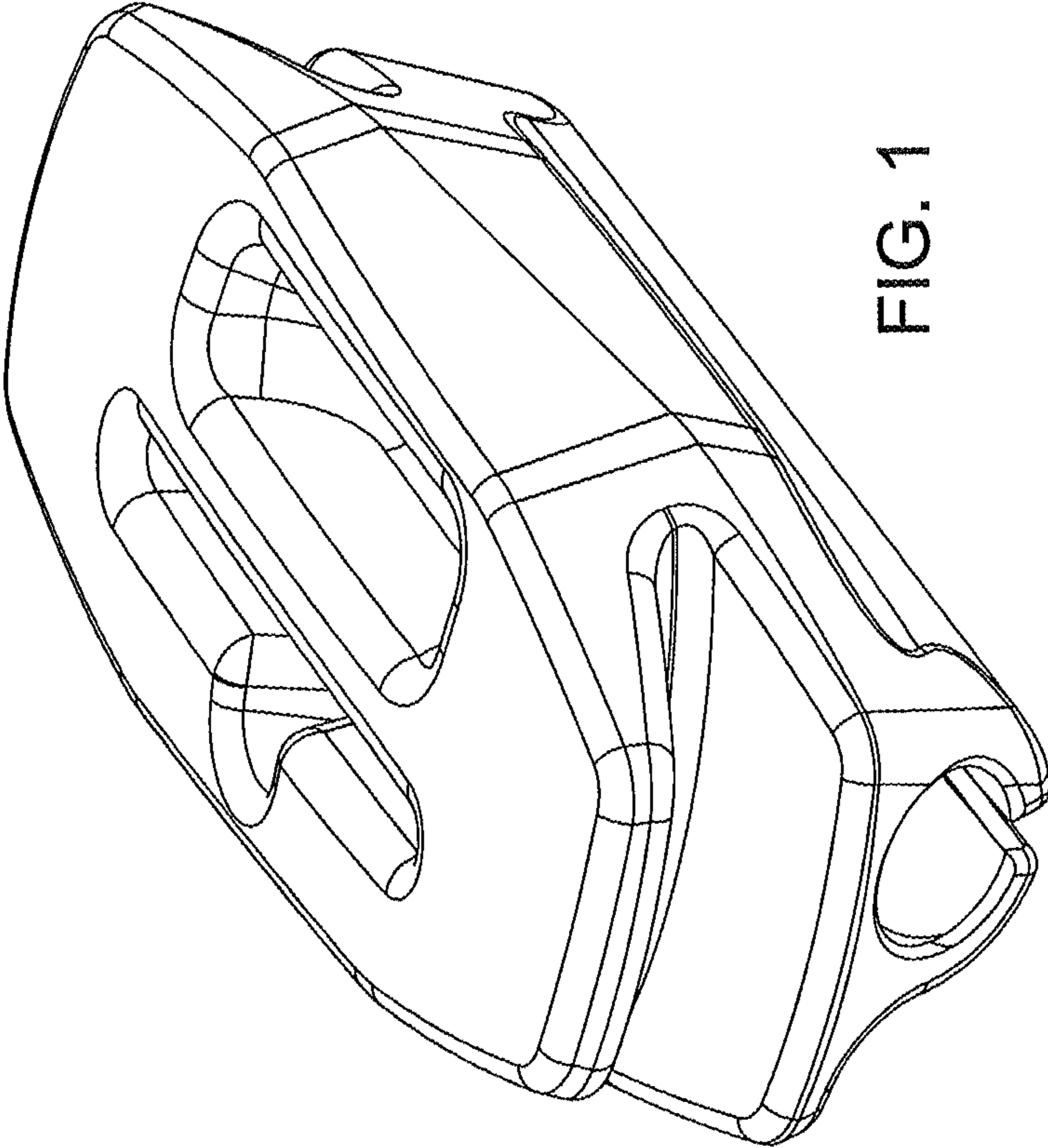


FIG. 1

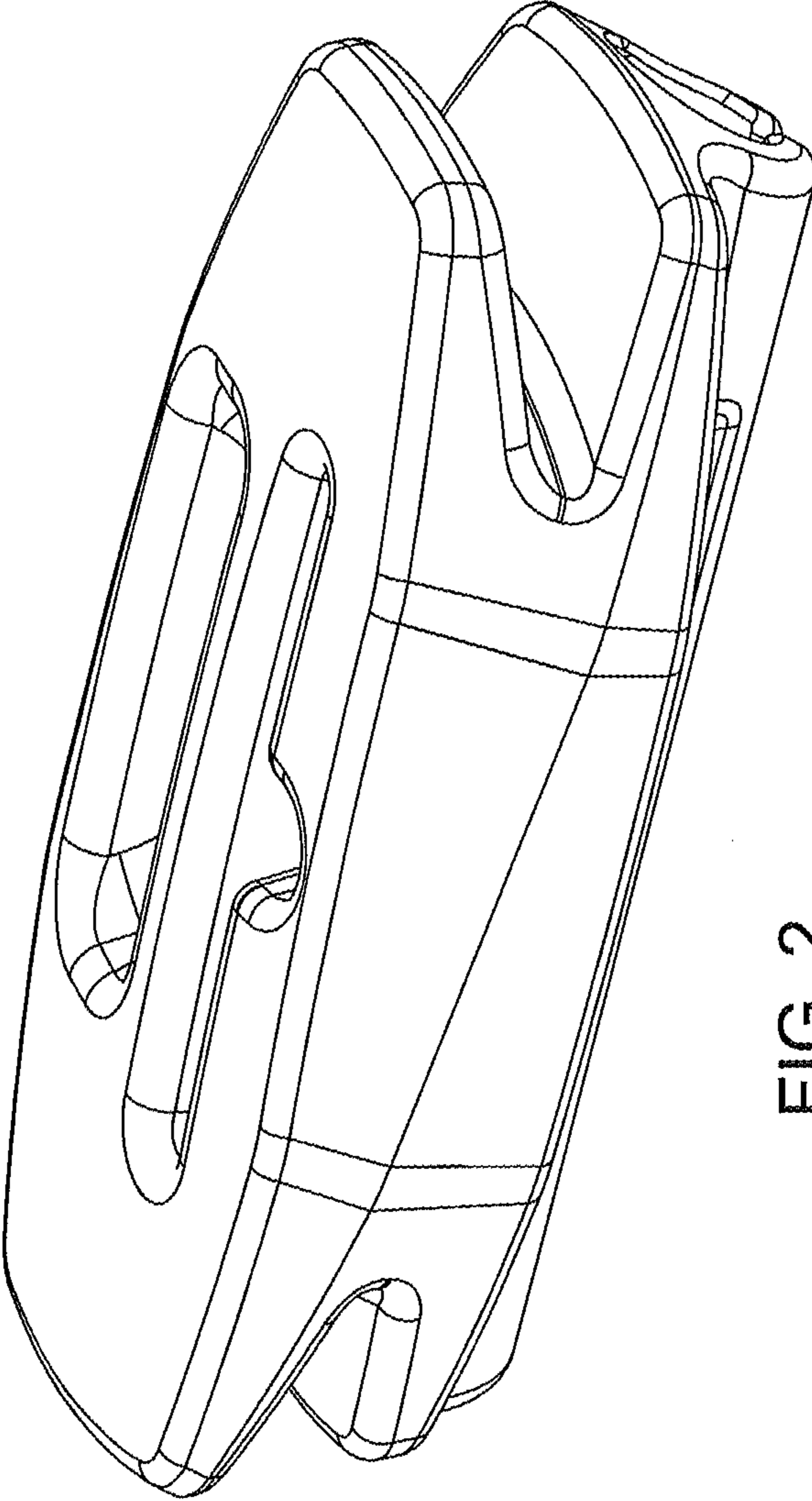


FIG. 2

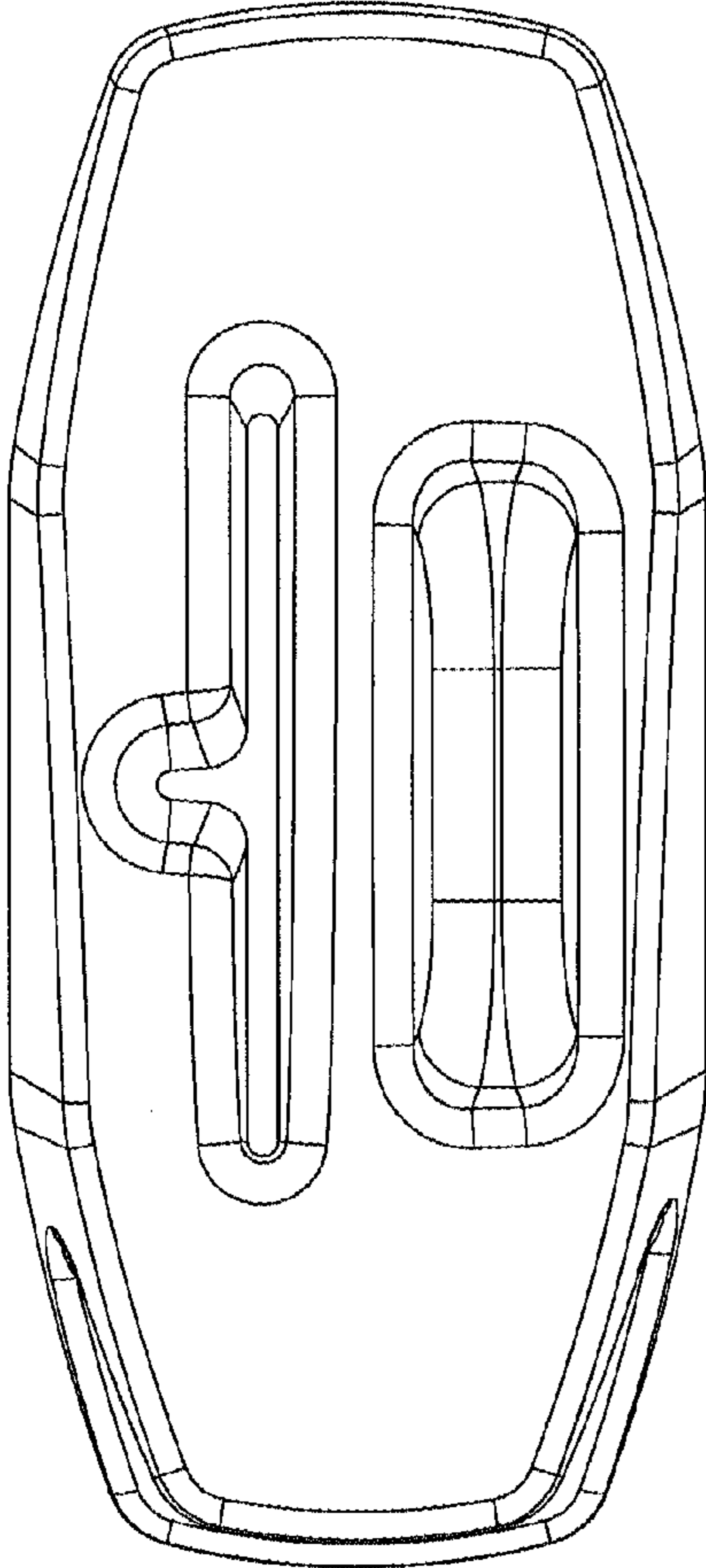


FIG. 3

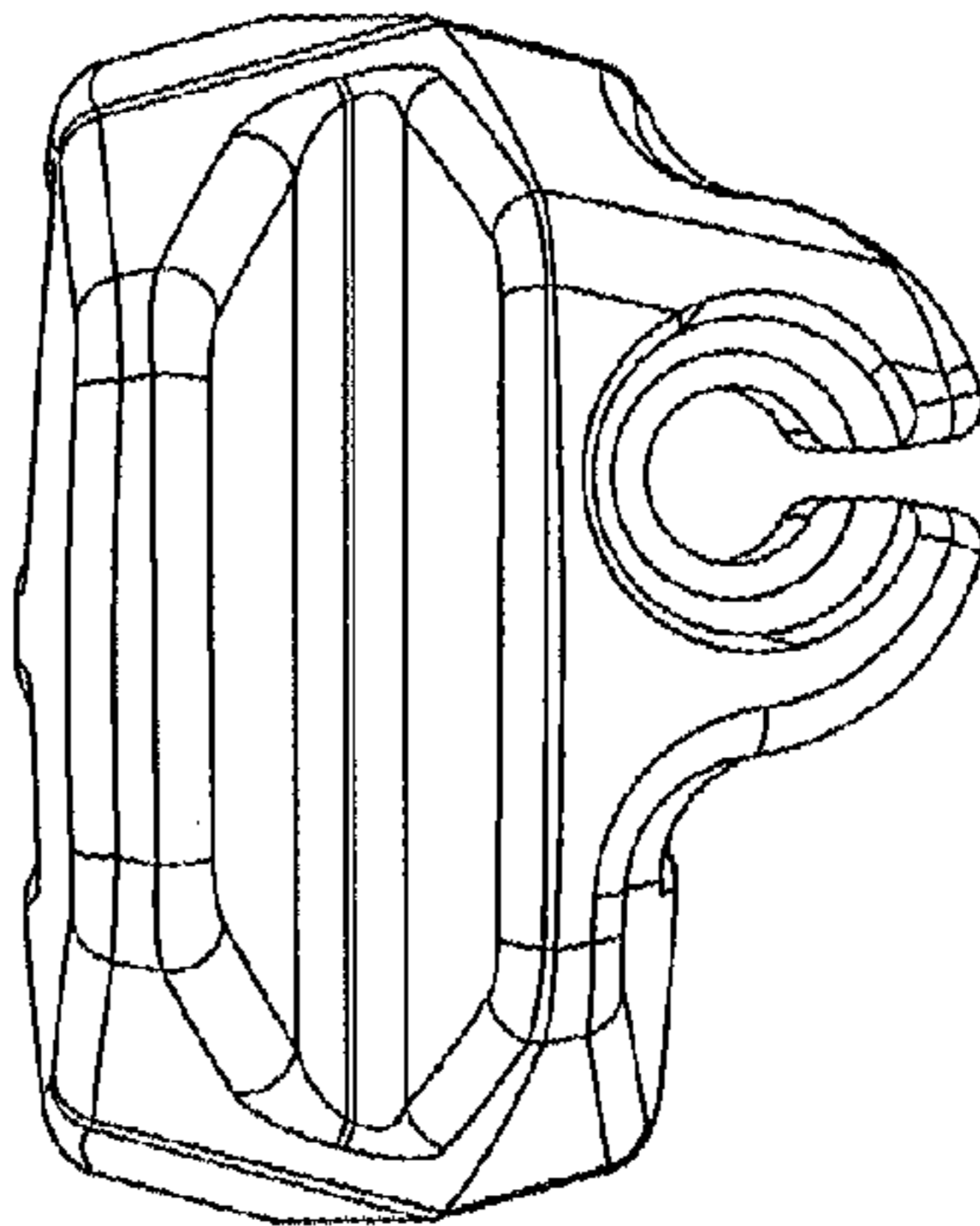


FIG. 6

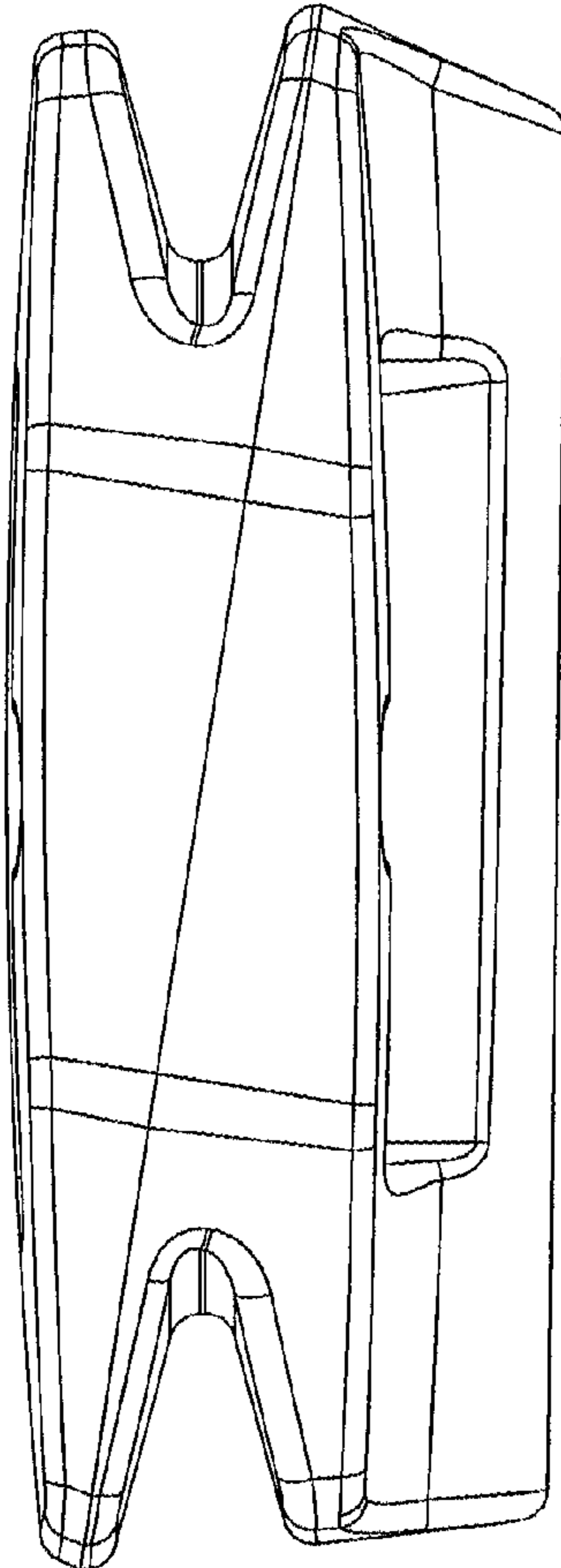


FIG. 4

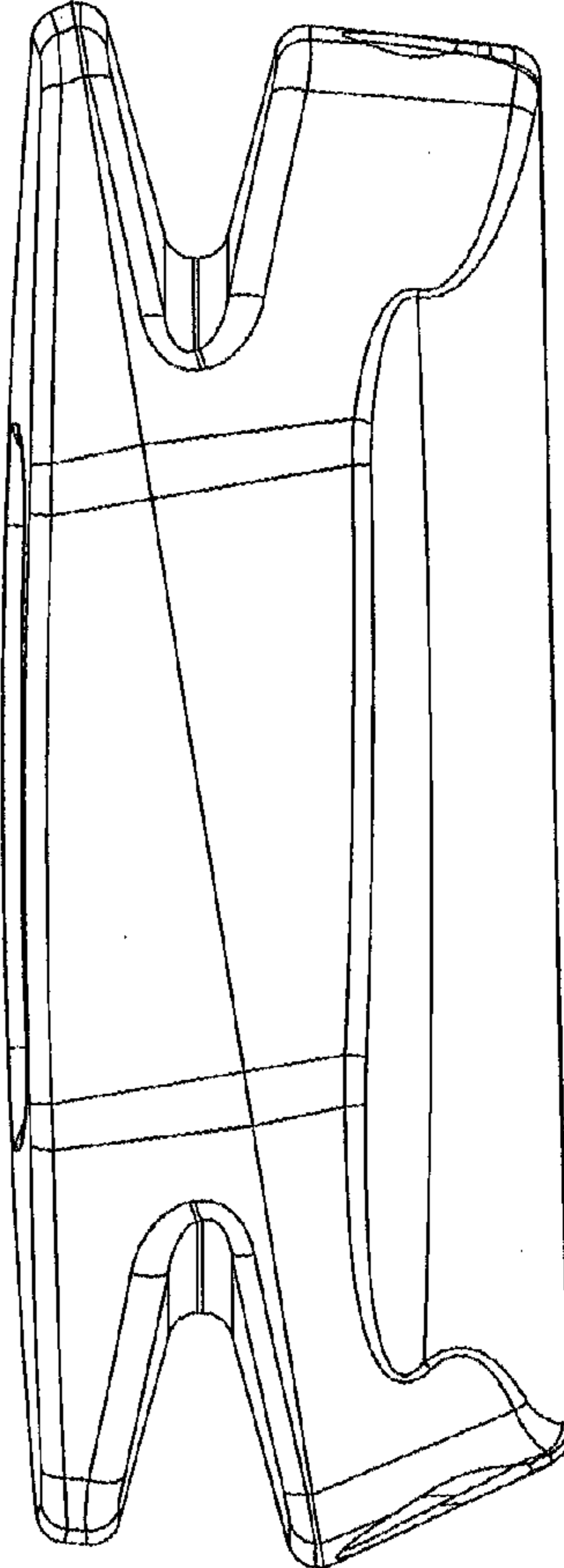


FIG. 5

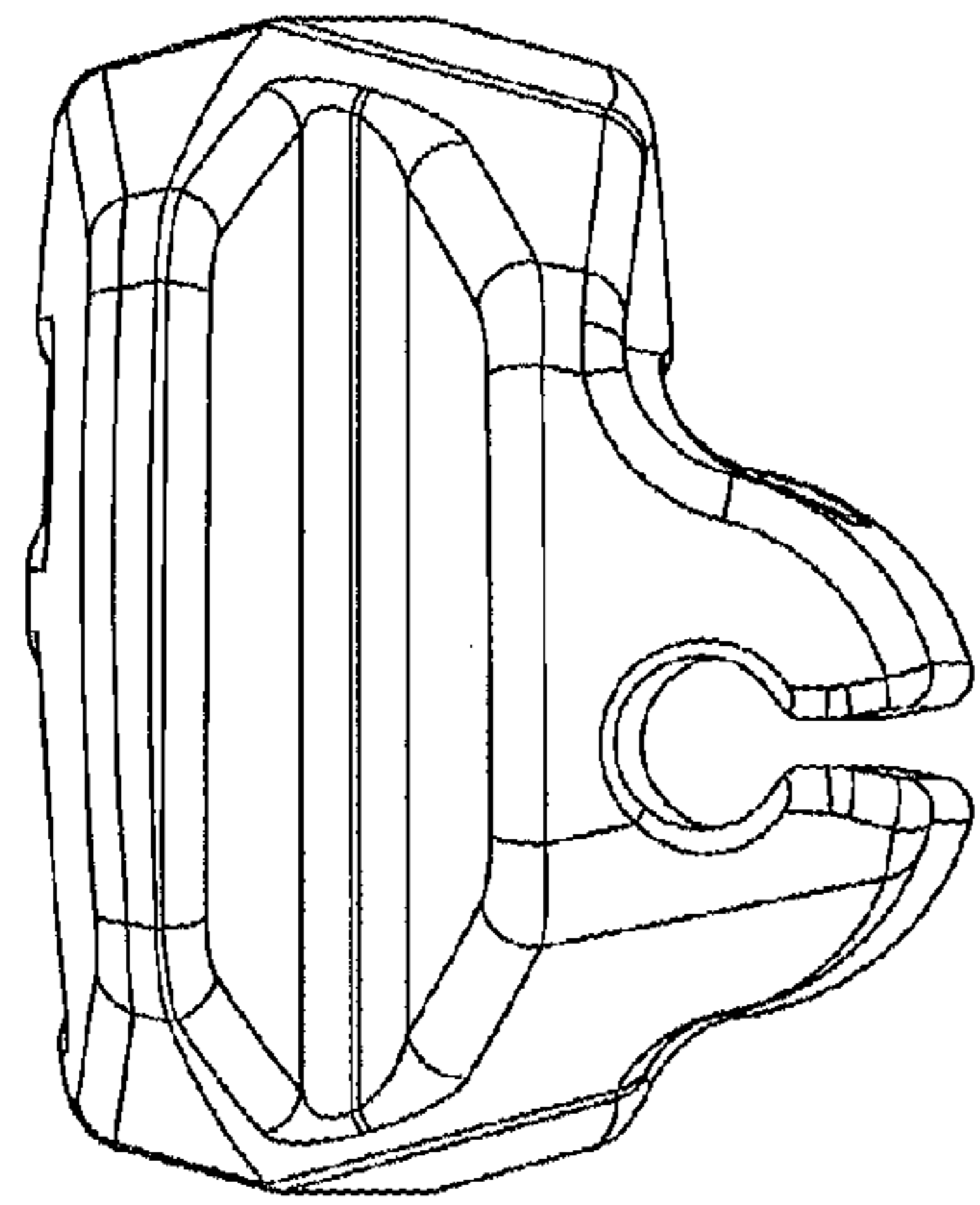


FIG. 7

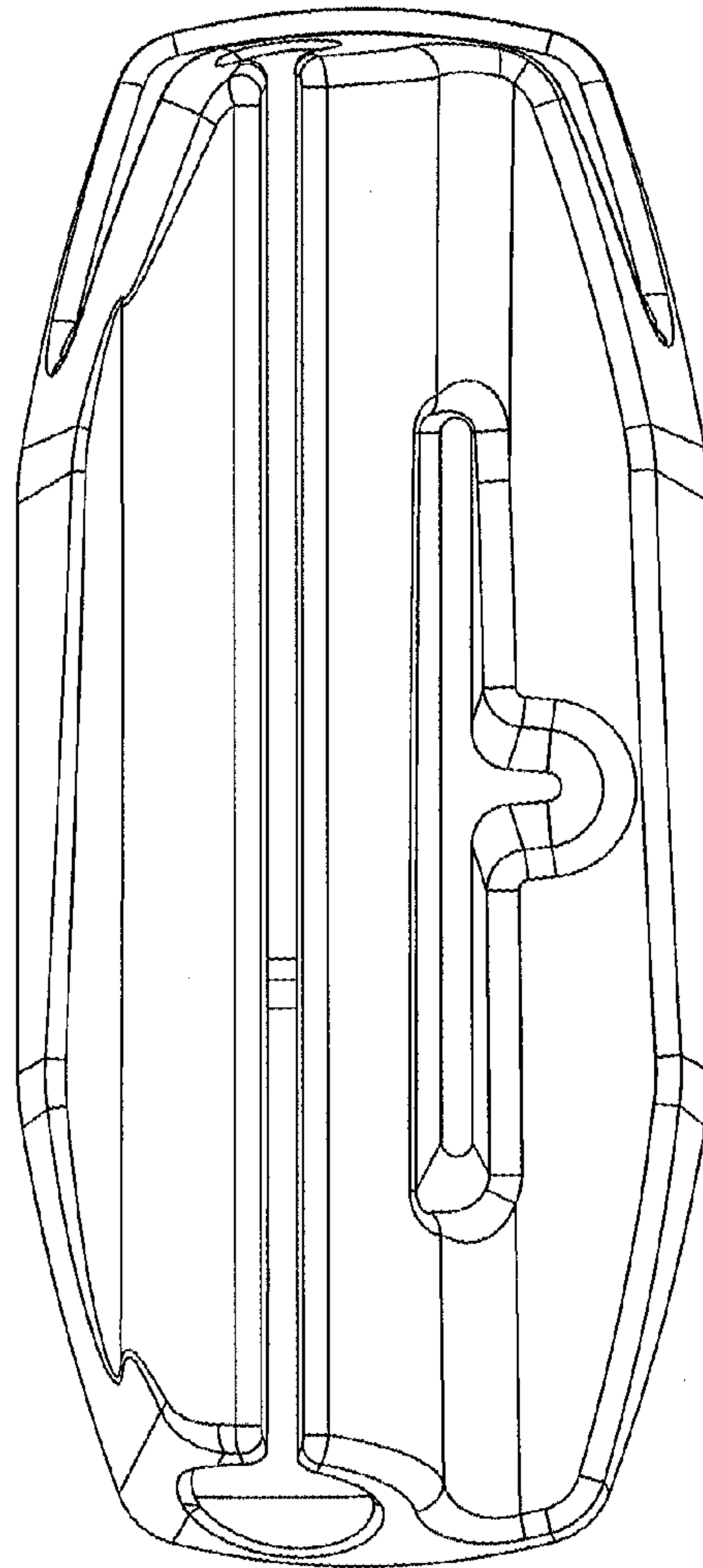


FIG. 8