



US00D750728S

(12) **United States Design Patent**
Kremer

(10) **Patent No.:** **US D750,728 S**
(45) **Date of Patent:** **** Mar. 1, 2016**

- (54) **LASER TARGET**
- (71) Applicant: **John K. Kremer**, Festus, MO (US)
- (72) Inventor: **John K. Kremer**, Festus, MO (US)
- (**) Term: **14 Years**
- (21) Appl. No.: **29/510,707**
- (22) Filed: **Dec. 2, 2014**
- (51) **LOC (10) Cl.** **22-04**
- (52) **U.S. Cl.**
USPC **D22/113**
- (58) **Field of Classification Search**
USPC D22/113, 114
CPC F41J 5/00; F41J 5/02; F41J 5/04;
F41J 5/041; F41J 5/042; F41J 5/044; F41J
5/048; F41J 5/052; F41J 5/056; F41J 5/06;
F41J 5/08; F41J 5/10; F41J 5/12; F41J 5/14;
F41J 5/16; F41J 5/18; F41J 5/20; F41J 5/24;
F41J 5/26
See application file for complete search history.

- 6,315,568 B1 11/2001 Hull et al.
- 6,579,098 B2 6/2003 Shechter
- 7,195,245 B1 * 3/2007 Pan F41J 5/00
273/371
- 8,764,016 B2 * 7/2014 Stewart F41J 5/052
273/371

* cited by examiner

Primary Examiner — Antoine D Davis
(74) *Attorney, Agent, or Firm* — Husch Blackwell LLP

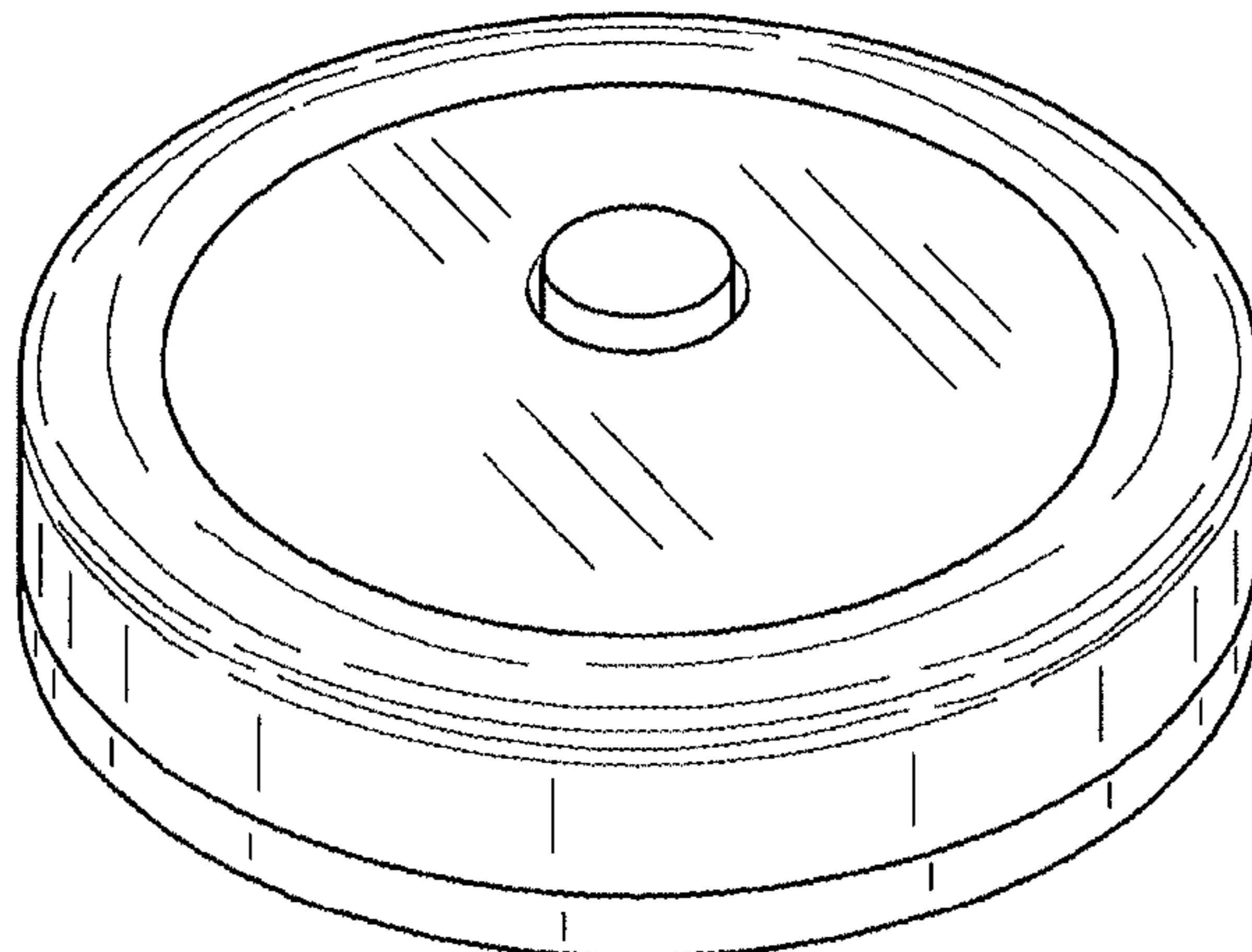
(57) **CLAIM**
I claim the ornamental design for a laser target, as shown and described.

DESCRIPTION

FIG. 1 is a perspective view of a laser target showing the new design;
 FIG. 2 is a right side elevational view thereof, the left side elevational view being a mirror image of the right side elevational view;
 FIG. 3 is a top plan view thereof;
 FIG. 4 is a bottom plan view thereof;
 FIG. 5 is a perspective view of another embodiment of the laser target;
 FIG. 6 is a right side elevational view of the laser target of FIG. 5;
 FIG. 7 is a left side elevational view of the laser target of FIG. 5;
 FIG. 8 is a front elevational view of the laser target of FIG. 5;
 FIG. 9 is a rear elevational view of the laser target of FIG. 5;
 FIG. 10 is a top plan view of the laser target of FIG. 5;
 FIG. 11 is a bottom plan view of the laser target of FIG. 5 with the hook member in a closed position; and,
 FIG. 12 is a bottom plan view of the laser target of FIG. 5 with the hook member in an open position.
 A laser target having a translucent annular top surface area surrounding the raised center bullseye of the laser target as illustrated in FIGS. 1-3 and 5-10. The translucent surface may be of any color. The broken lines showing the mounting holes in FIGS. 4, 10, and 11 form no part of the claimed design.

- (56) **References Cited**
U.S. PATENT DOCUMENTS
- D160,789 S * 11/1950 Jordan D22/114
- 3,029,077 A * 4/1962 Benkoe A63F 9/0204
273/380
- 4,804,193 A * 2/1989 Lin F41J 5/052
273/376
- 4,921,417 A * 5/1990 Sato B28B 1/24
264/328.13
- 5,004,423 A * 4/1991 Bertrams F41A 33/02
434/22
- 5,197,743 A * 3/1993 Hanson, Jr. F41J 5/24
273/348
- D351,450 S * 10/1994 Maryska D22/113
- D355,695 S * 2/1995 Moore D22/113
- 5,397,132 A * 3/1995 Maryska F41J 9/16
273/363
- D395,483 S * 6/1998 Maryska D22/100
- 5,788,243 A * 8/1998 Harshaw C08L 97/02
273/363

1 Claim, 3 Drawing Sheets



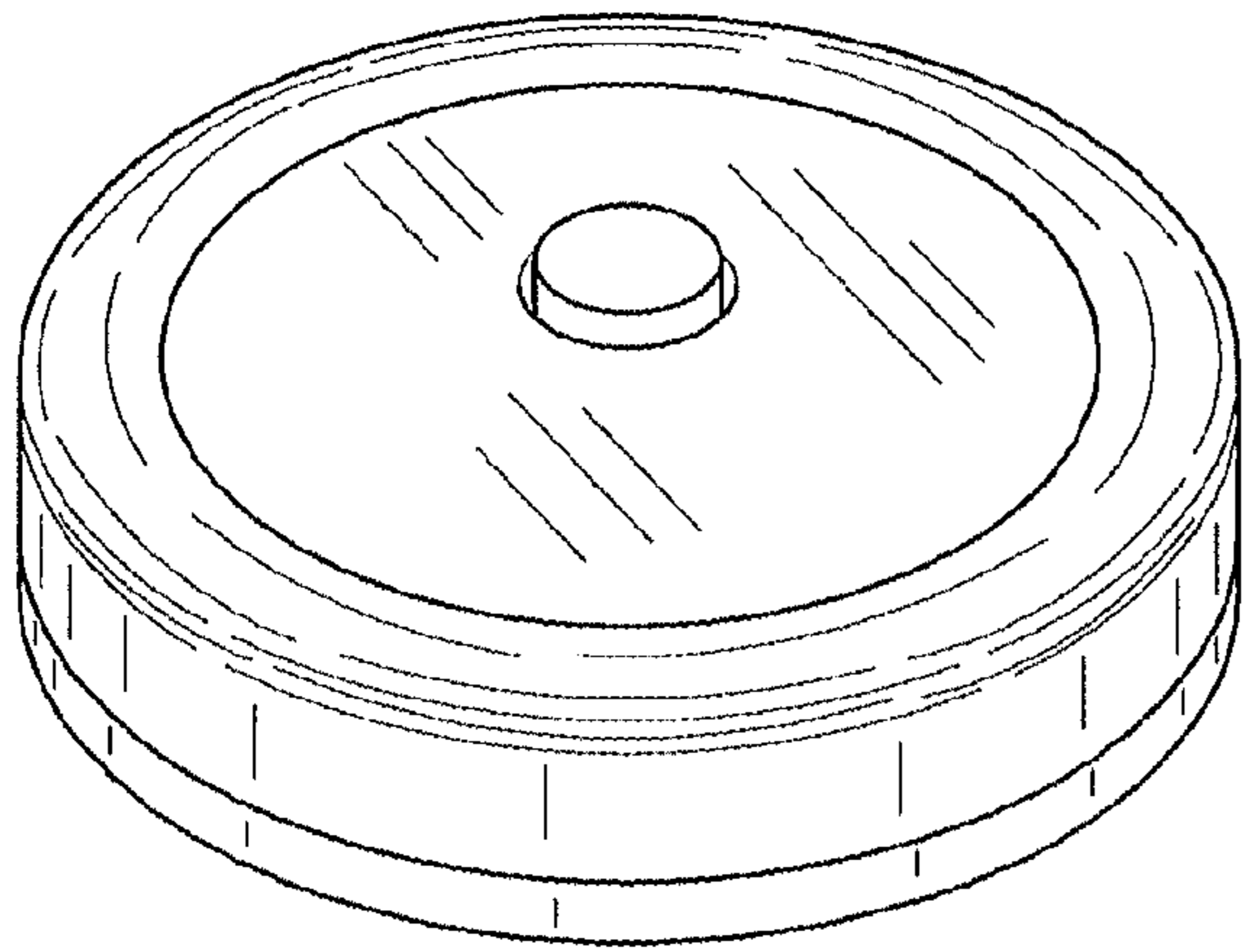


FIG. 1

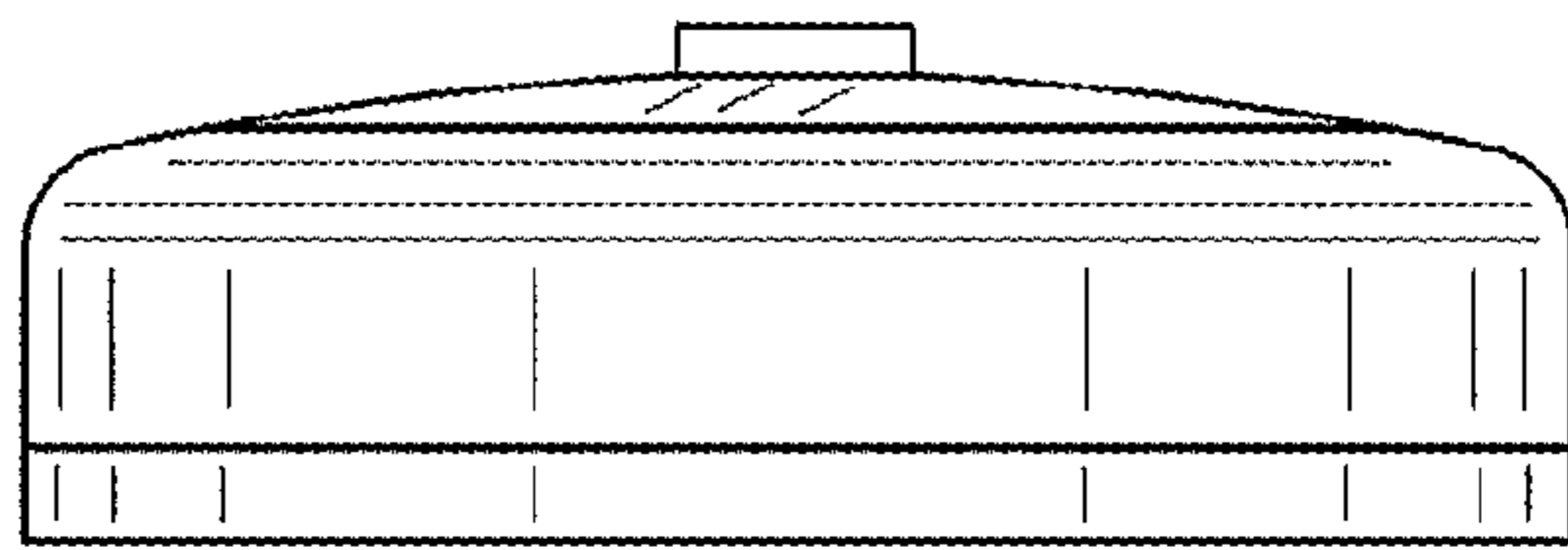


FIG. 2

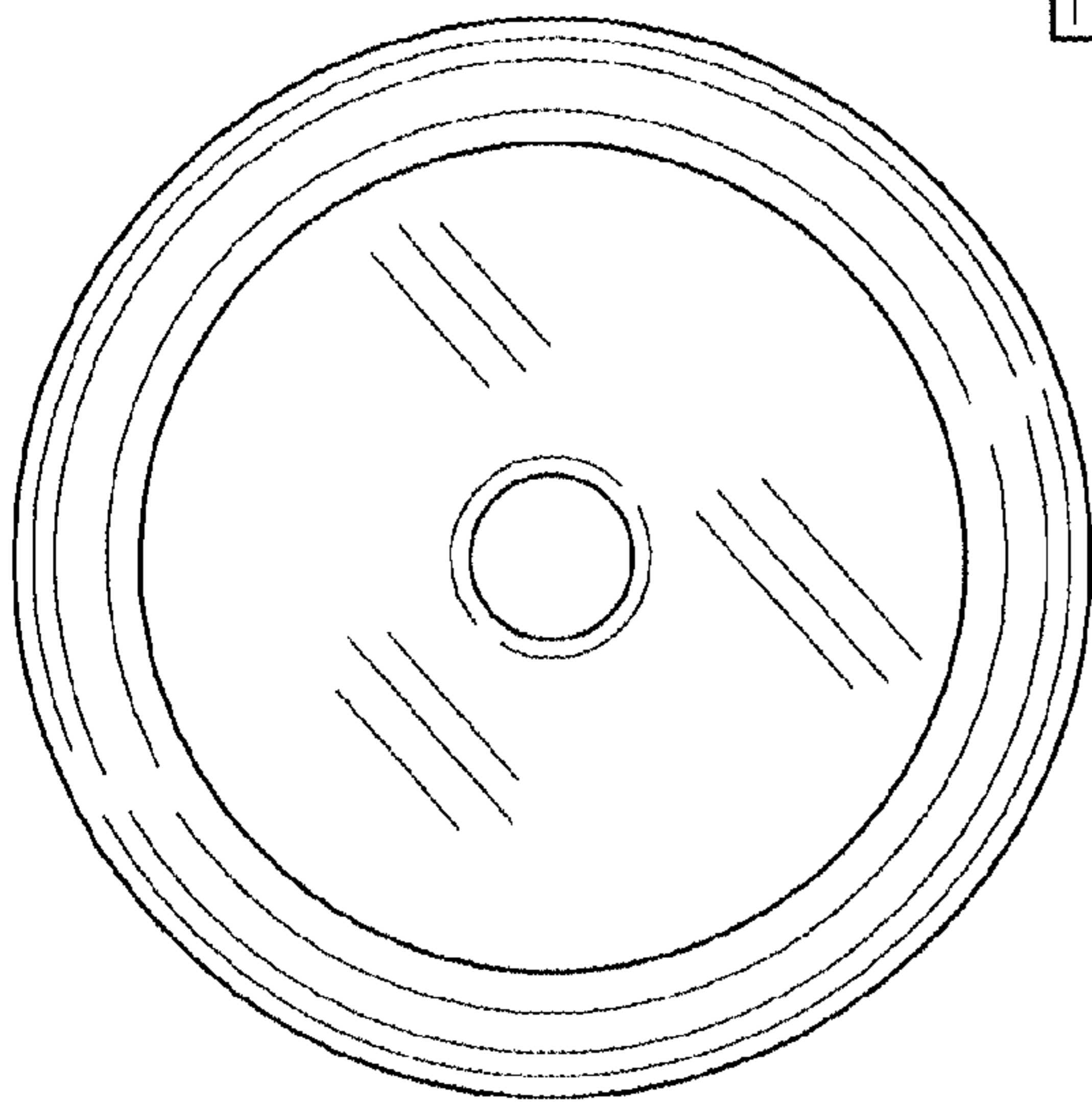


FIG. 3

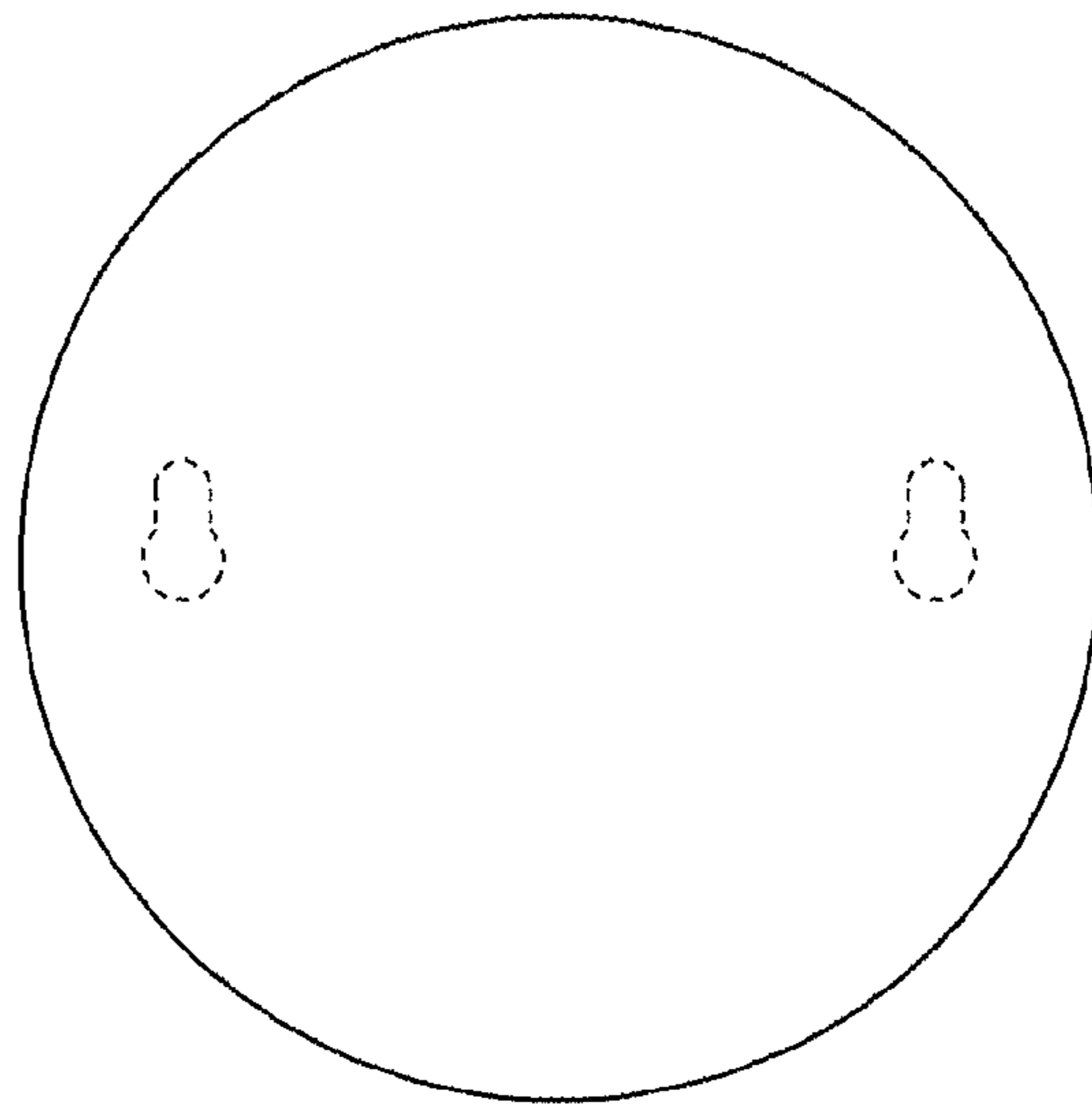


FIG. 4

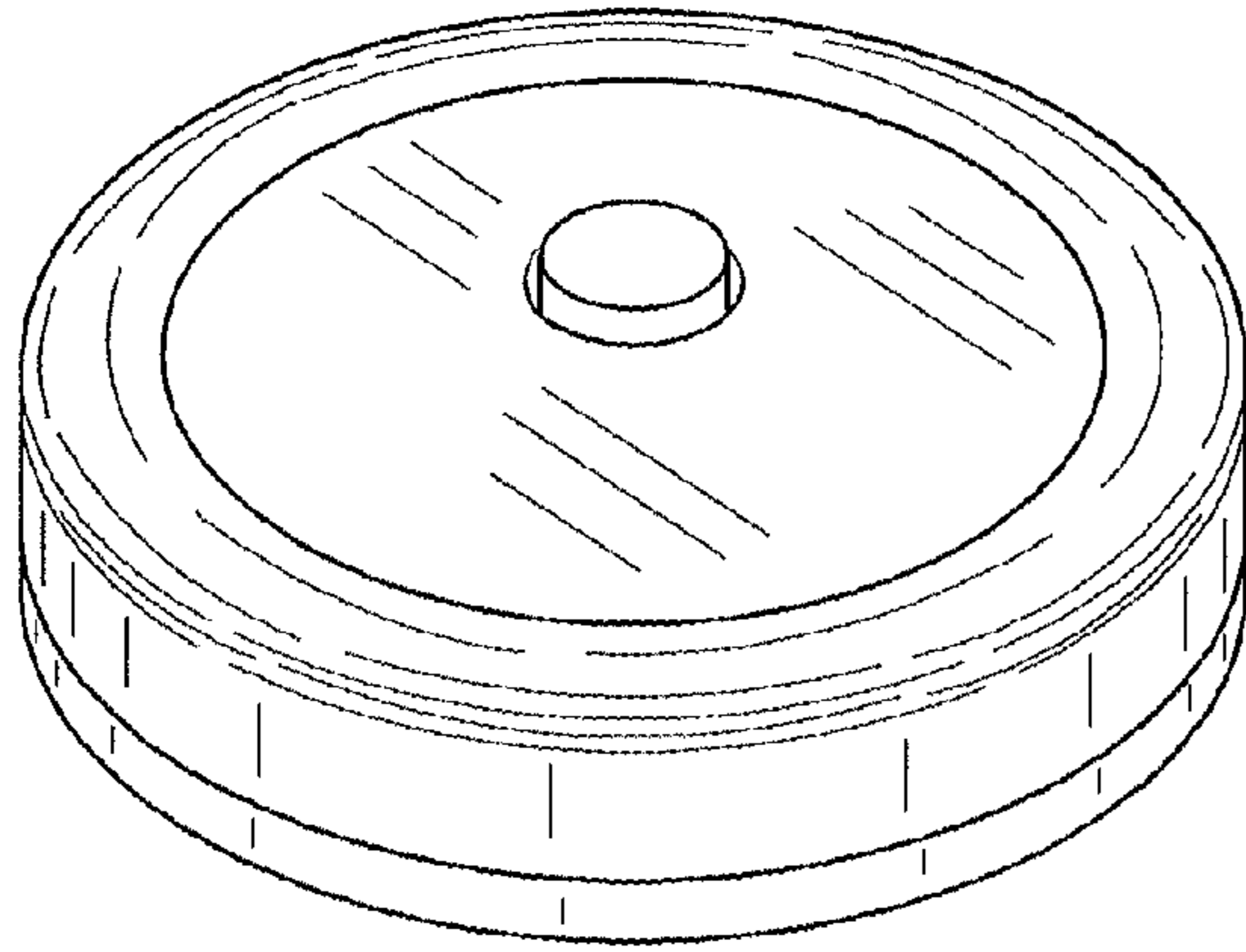


FIG. 5

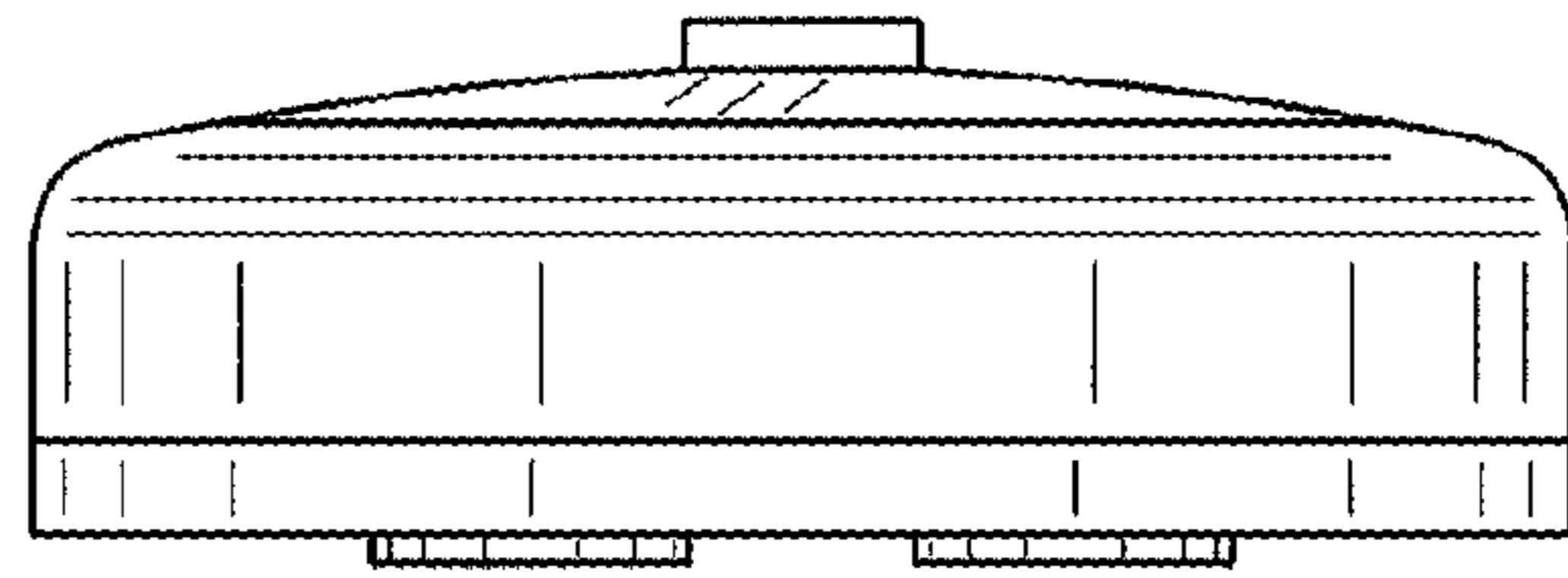


FIG. 6

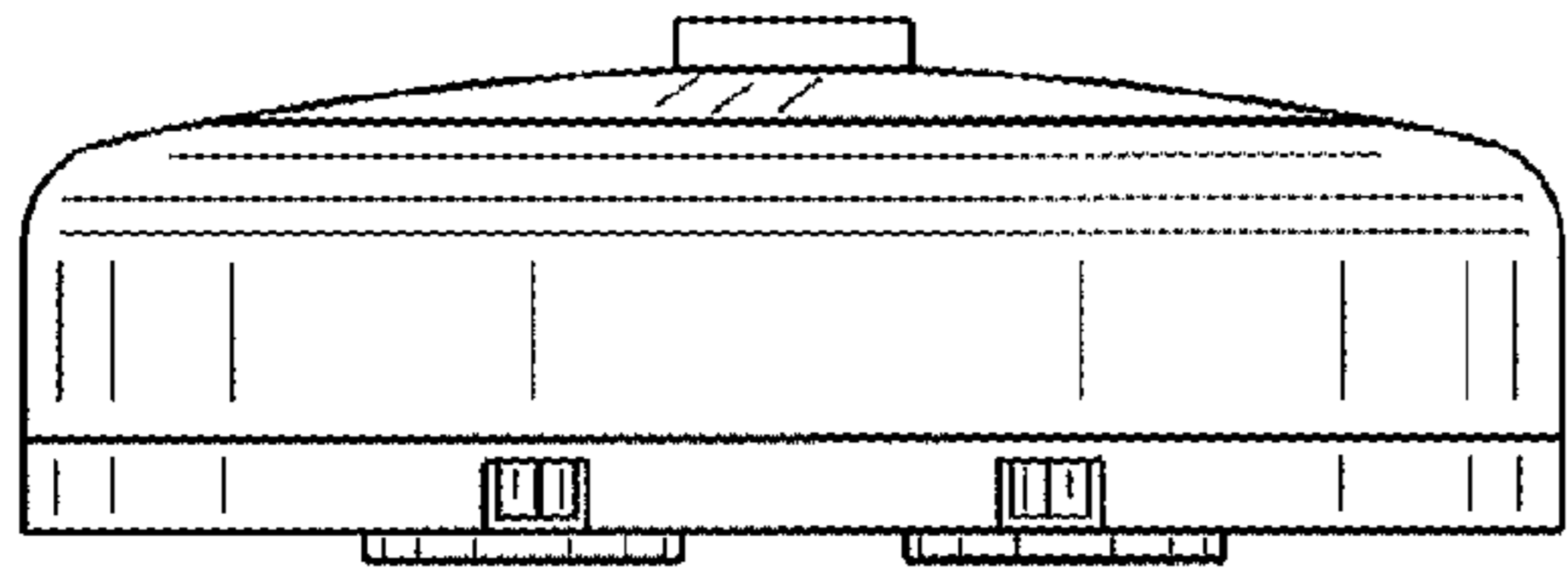


FIG. 7

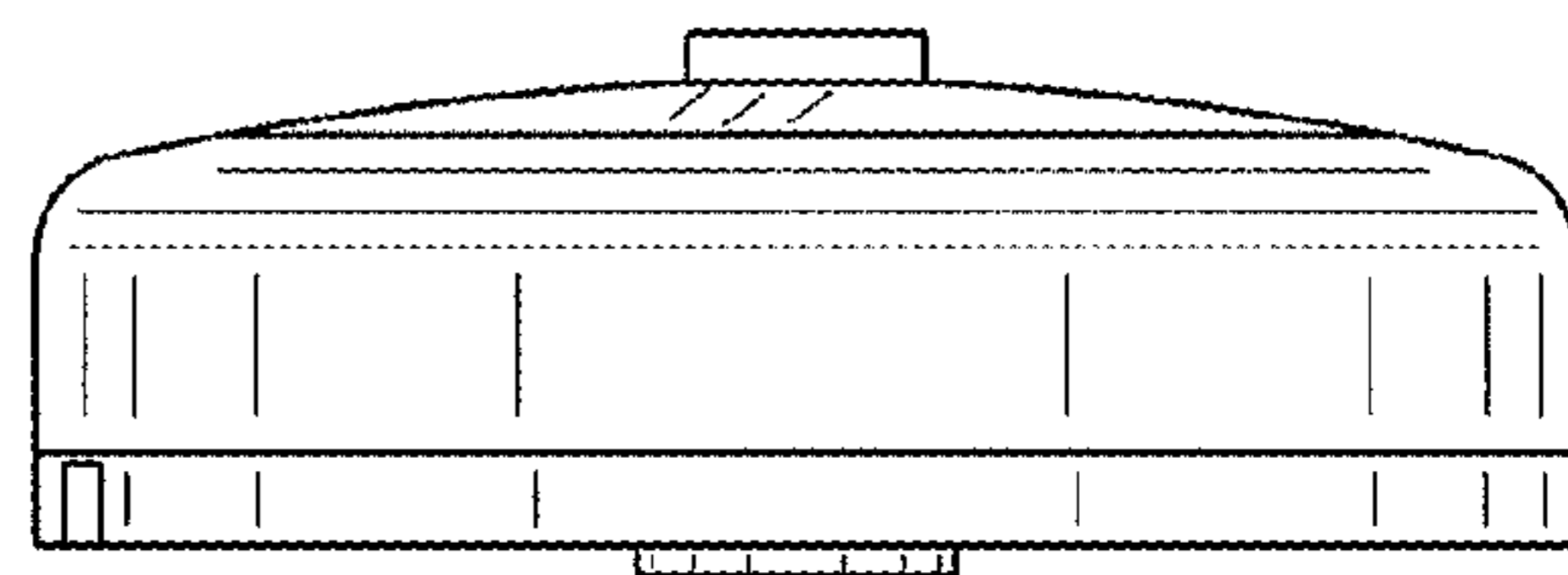


FIG. 8

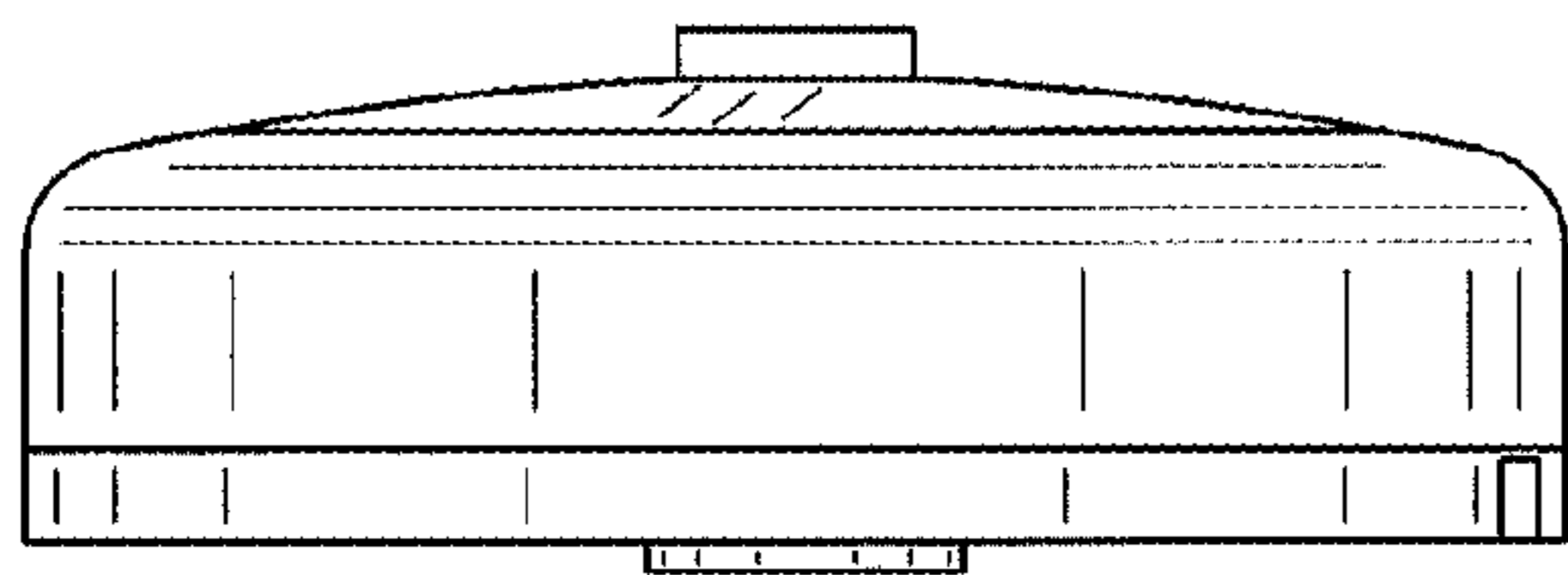


FIG. 9

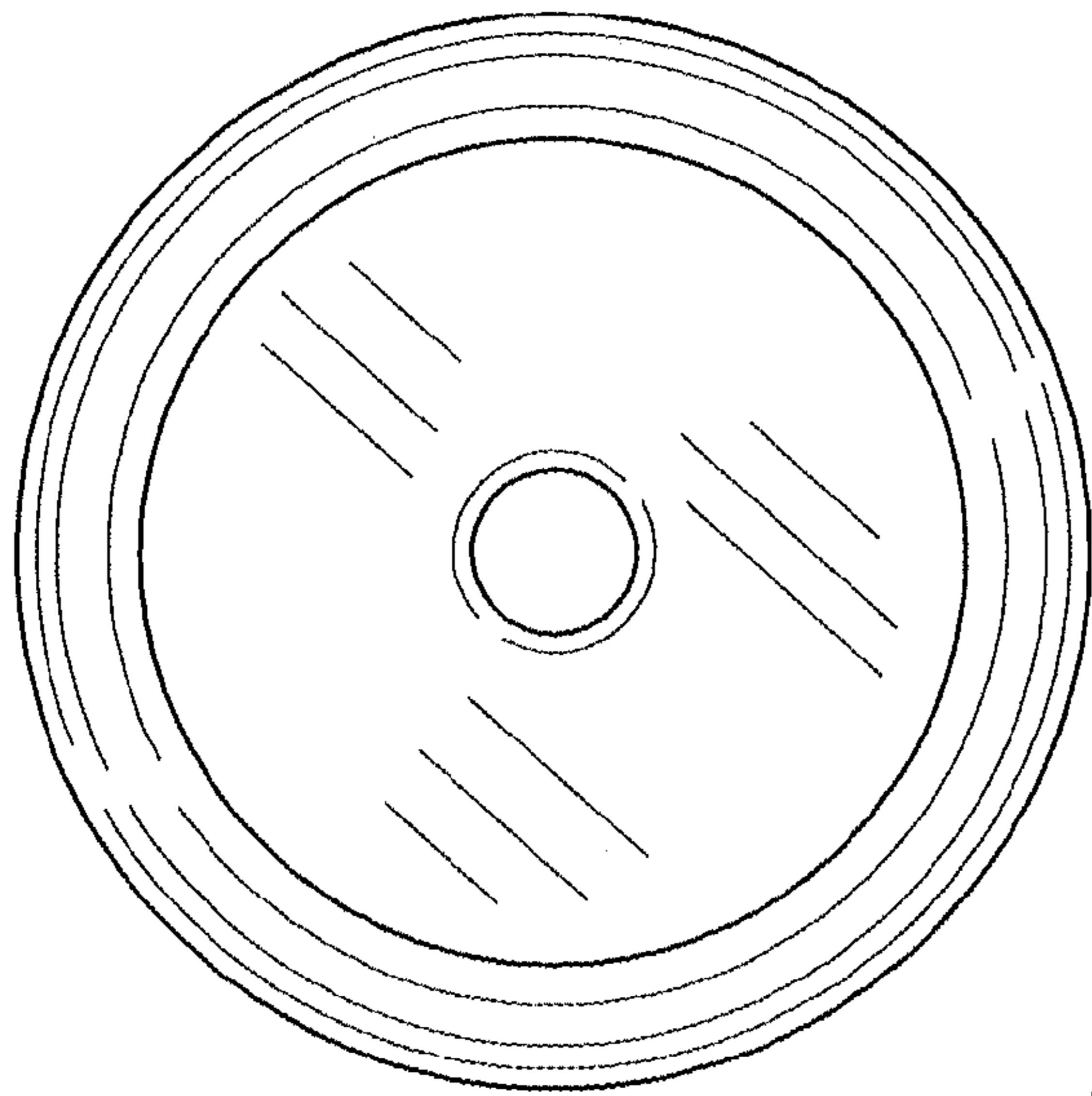


FIG. 10

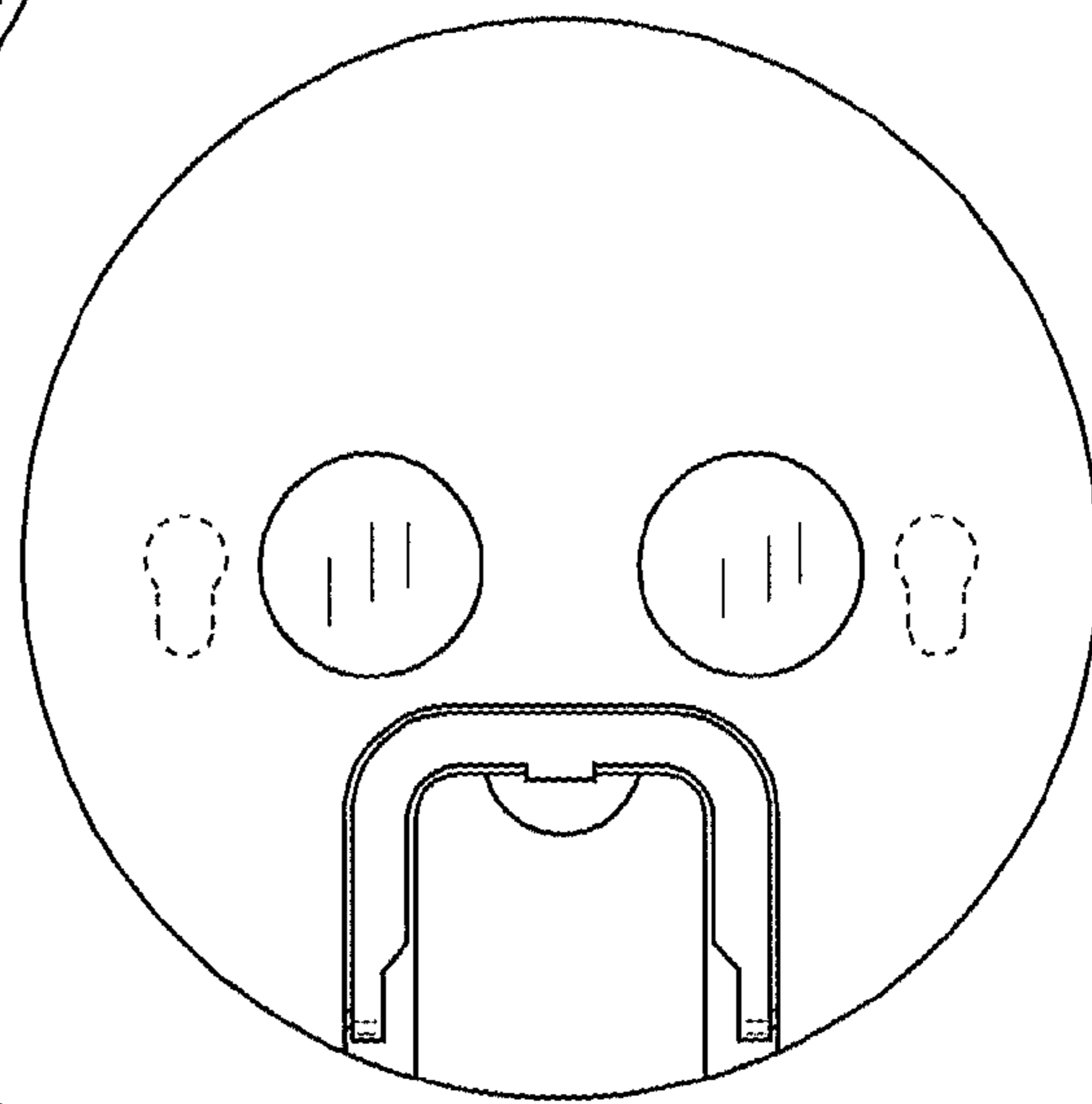


FIG. 11

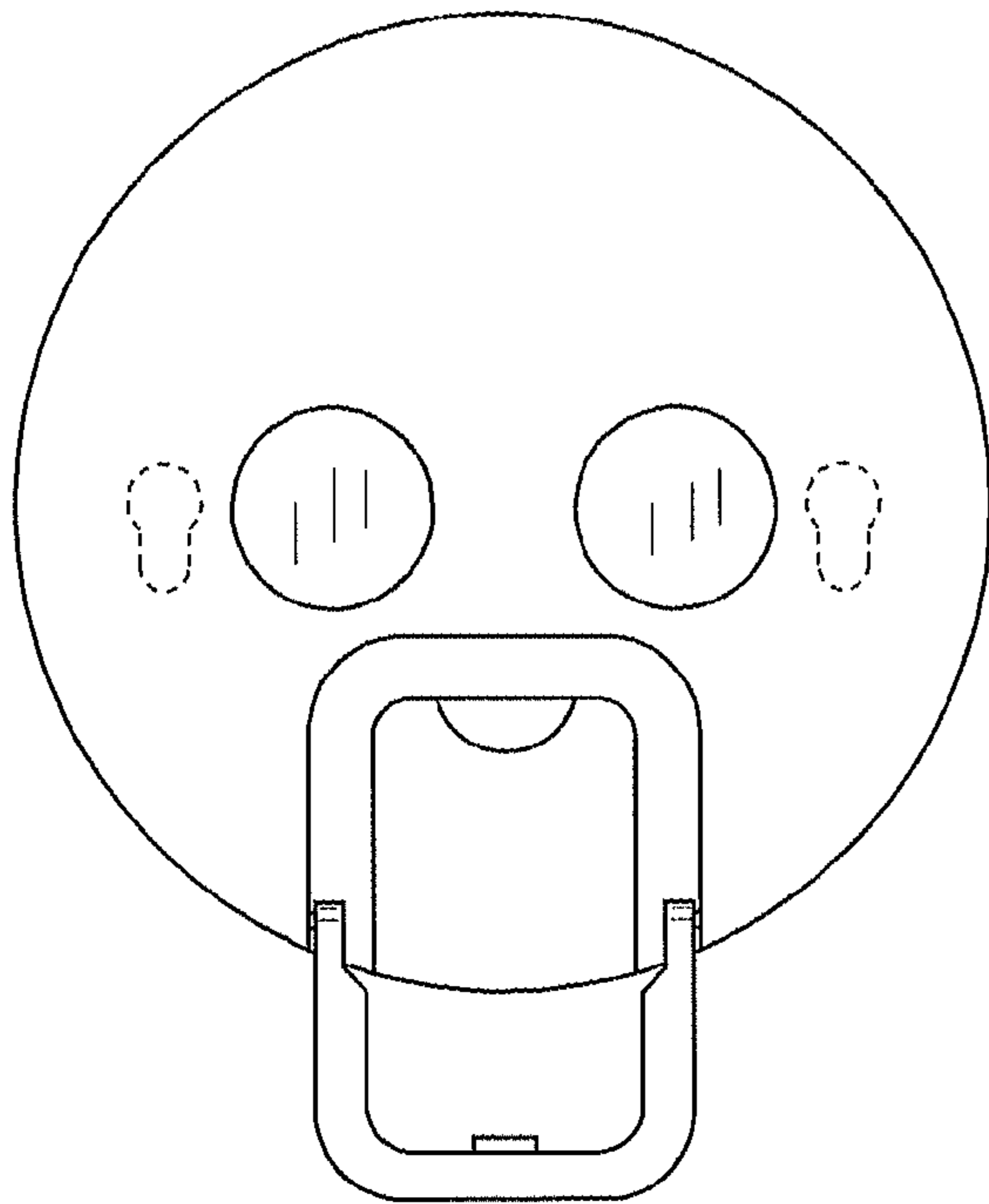


FIG. 12