

US00D750727S

(12) **United States Design Patent**  
**Dee**

(10) **Patent No.:** **US D750,727 S**  
(45) **Date of Patent:** **\*\* Mar. 1, 2016**

(54) **PORTION OF A TARGET**  
(71) Applicant: **RA Brands, L.L.C.**, Madison, NC (US)  
(72) Inventor: **Amy Dee**, Oak Ridge, NC (US)  
(73) Assignee: **RA Brands, L.L.C.**, Madison, NC (US)  
(\*\*) Term: **14 Years**  
(21) Appl. No.: **29/489,285**  
(22) Filed: **Apr. 29, 2014**  
(51) **LOC (10) Cl.** ..... **22-04**  
(52) **U.S. Cl.**  
USPC ..... **D22/113**  
(58) **Field of Classification Search**  
USPC ..... D22/113, 117; 463/52–56; 273/331,  
273/348, 407, 127 R, 190  
CPC ..... F41J 1/00; F41J 1/01; F41J 1/08;  
F41J 1/10; F41J 5/18; F41J 5/20; F41J 5/205;  
F41J 5/22; F41J 9/00; F41J 9/02; F41J 9/04;  
F41J 9/06; F41J 9/08; F41J 9/10; F41J 9/14;  
F41J 9/16  
See application file for complete search history.

D391,303 S 2/1998 Hadland  
7,815,192 B1 10/2010 Kreiman et al.  
8,091,894 B2 \* 1/2012 Kreiman et al. .... 273/390  
D655,756 S 3/2012 Robertson  
8,413,991 B2 4/2013 Sudbeck et al.  
9,068,800 B2 \* 6/2015 McHale et al.  
2007/0046760 A1 \* 3/2007 Zara ..... 347/105  
2007/0063445 A1 3/2007 Tierney et al.  
2007/0262529 A1 \* 11/2007 Gamez et al. .... 273/409  
2008/0054570 A1 \* 3/2008 Potterfield et al. .... 273/403  
2008/0277876 A1 11/2008 Riley  
2009/0058008 A1 3/2009 Baumgartner et al.  
2014/0319215 A1 \* 10/2014 Farca et al. .... 235/404  
2014/0360081 A1 \* 12/2014 Lupher et al. .... 42/120

**OTHER PUBLICATIONS**

“SMK Training Knock and Reset Pigeon Target” www.whipperleys.co.uk, [http://www.whipperleys.co.uk/acatalog/shooting\\_targets.html](http://www.whipperleys.co.uk/acatalog/shooting_targets.html).  
“SMK Training Knock and Reset Crow Target” www.whipperleys.co.uk, [http://www.whipperleys.co.uk/acatalog/shooting\\_targets.html](http://www.whipperleys.co.uk/acatalog/shooting_targets.html) (Accessed Apr. 30, 2014).  
“Knockdown Rabbit Target” www.whipperleys.co.uk, [www.whipperleys.co.uk/acatalog/shooting\\_targets.html](http://www.whipperleys.co.uk/acatalog/shooting_targets.html) (Accessed Apr. 30, 2014).  
“Knockdown Resetting Rabbit Target” www.solware.co.uk, <http://www.solware.co.uk/air-pistol-air-rifle/Air-Arms-Knockdown-Rabbit.shtml> (Accessed Apr. 30, 2014).  
“Gamo Knockdown Wild Boar Field Target Interchangeable System” www.taskers-angling.co.uk, <http://taskers-angling.co.uk/gamo-knockdown-wild-boar-field-target-interchangeable-sy>.  
Notice of Allowance issued Aug. 26, 2015 in Design U.S. Appl. No. 29/489,287.

(56) **References Cited**

**U.S. PATENT DOCUMENTS**

1,103,579 A 7/1914 Hall  
2,587,042 A 2/1952 Haiselup  
2,613,080 A \* 10/1952 Dow ..... 273/383  
2,812,947 A 11/1957 Fatzinger et al.  
D195,308 S 5/1963 Braun  
D201,027 S 5/1965 Maher  
3,423,092 A \* 1/1969 Kandel ..... 273/378  
4,203,600 A 5/1980 Brown  
4,249,743 A 2/1981 Lee  
4,433,843 A 2/1984 Bricco  
D287,614 S 1/1987 Mosser  
4,732,394 A 3/1988 Stein et al.  
D330,920 S 11/1992 Schaefer et al.  
5,273,291 A 12/1993 Giannetti  
5,383,671 A \* 1/1995 Teets et al. .... 273/407  
5,590,885 A 1/1997 Graham et al.  
5,593,162 A 1/1997 Minuskin  
D382,599 S 8/1997 Starrett

\* cited by examiner

*Primary Examiner* — Michael A Pratt  
(74) *Attorney, Agent, or Firm* — Womble Carlyle Sandridge & Rice, LLP

(57) **CLAIM**

The ornamental design for a portion of a target, as shown in the accompanying drawings and described above.

**DESCRIPTION**

FIG. 1 is a front perspective view of a portion of a target in accordance with a first embodiment of the present invention;

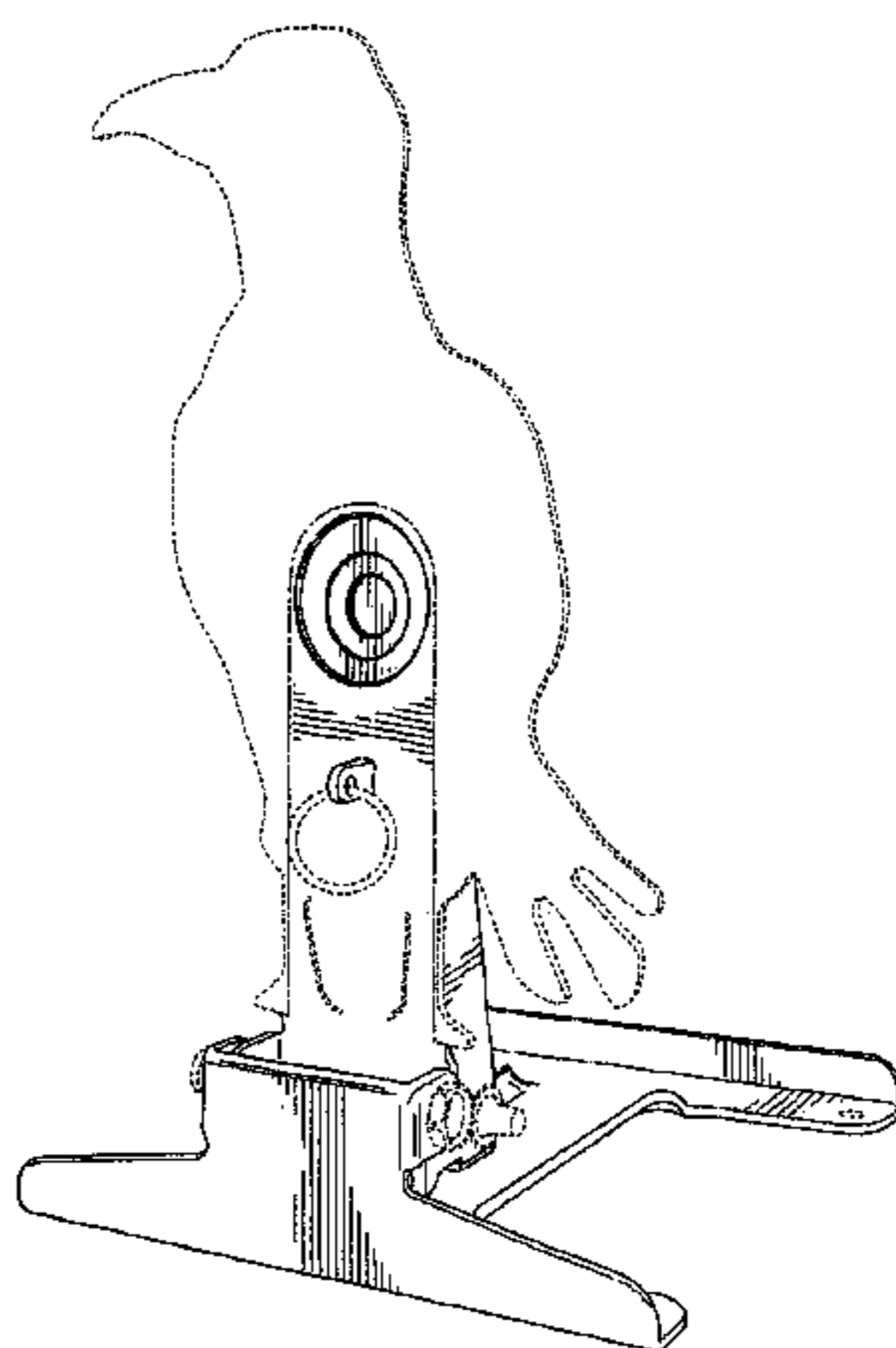


FIG. 2 is a rear perspective view of the portion of the target of FIG. 1;  
FIG. 3 is a front elevation view of the portion of the target of FIG. 1;  
FIG. 4 is a rear elevation view of the portion of the target of FIG. 1;  
FIG. 5 is a right elevation view of the portion of the target of FIG. 1;  
FIG. 6 is a left elevation view of the portion of the target of FIG. 1;  
FIG. 7 is a top plan view of the portion of the target of FIG. 1;  
FIG. 8 is a bottom plan view of the portion of the target of FIG. 1;  
FIG. 9 is a front perspective view of a portion of a target in a first configuration, in accordance with a second embodiment of the present invention;  
FIG. 10 is a rear perspective view of the portion of the target of FIG. 9 in the first configuration;  
FIG. 11 is a front elevation view of the portion of the target of FIG. 9 in the first configuration;  
FIG. 12 is a rear elevation view of the portion of the target of FIG. 9 in the first configuration;  
FIG. 13 is a right elevation view of the portion of the target of FIG. 9 in the first configuration;  
FIG. 14 is a left elevation view of the portion of the target of FIG. 9 in the first configuration;  
FIG. 15 is a top plan view of the portion of the target of FIG. 9 in the first configuration;  
FIG. 16 is a bottom plan view of the portion of the target of FIG. 9 in the first configuration;  
FIG. 17 is a front perspective view of the portion of the target of FIG. 9 in a second configuration, in accordance with the second embodiment of the present invention;  
FIG. 18 is a rear perspective view of the portion of the target of FIG. 9 in the second configuration;

FIG. 19 is a front elevation view of the portion of the target of FIG. 9 in the second configuration;  
FIG. 20 is a rear elevation view of the portion of the target of FIG. 9 in the second configuration;  
FIG. 21 is a right elevation view of the portion of the target of FIG. 9 in the second configuration;  
FIG. 22 is a left elevation view of the portion of the target of FIG. 9 in the second configuration;  
FIG. 23 is a top plan view of the portion of the target of FIG. 9 in the second configuration;  
FIG. 24 is a bottom plan view of the portion of the target of FIG. 9 in the second configuration;  
FIG. 25 is a front perspective view of the portion of the target of FIG. 9 in a third configuration, in accordance with the second embodiment of the present invention;  
FIG. 26 is a rear perspective view of the portion of the target of FIG. 9 in the third configuration;  
FIG. 27 is a front elevation view of the portion of the target of FIG. 9 in the third configuration;  
FIG. 28 is a rear elevation view of the portion of the target of FIG. 9 in the third configuration;  
FIG. 29 is a right elevation view of the portion of the target of FIG. 9 in the third configuration;  
FIG. 30 is a left elevation view of the portion of the target of FIG. 9 in the third configuration;  
FIG. 31 is a top plan view of the portion of the target of FIG. 9 in the third configuration; and,  
FIG. 32 is a bottom plan view of the portion of the target of FIG. 9 in the third configuration.  
The broken lines shown herein are for illustrative purposes and form no part of the claimed design. In FIGS. 1-4, 9-12, 17-20 and 25-28, the broken lines in the form of an alternating series of relatively short dashes and relatively long dashes represent bounds of the claimed design.

**1 Claim, 32 Drawing Sheets**

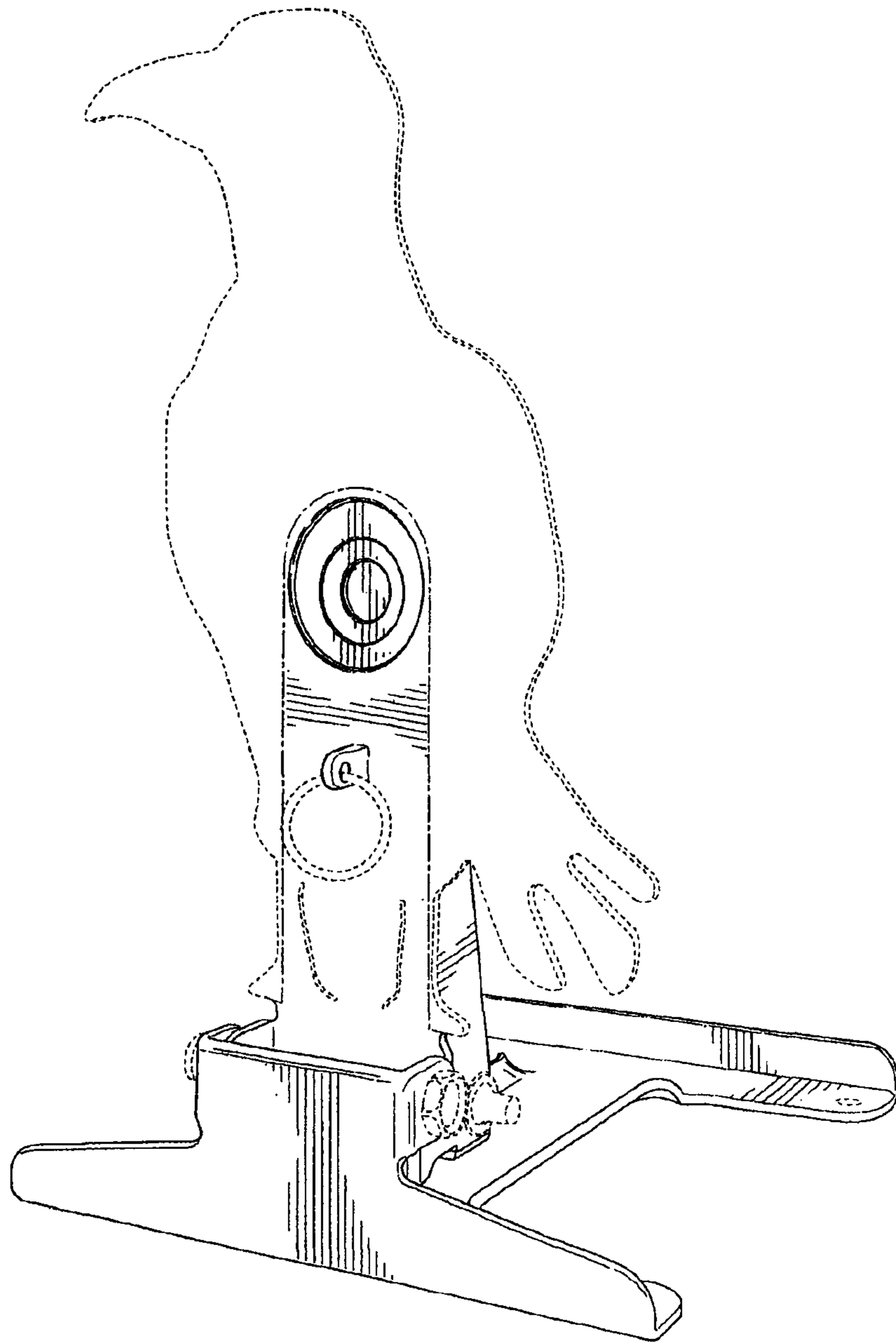


FIG. 1

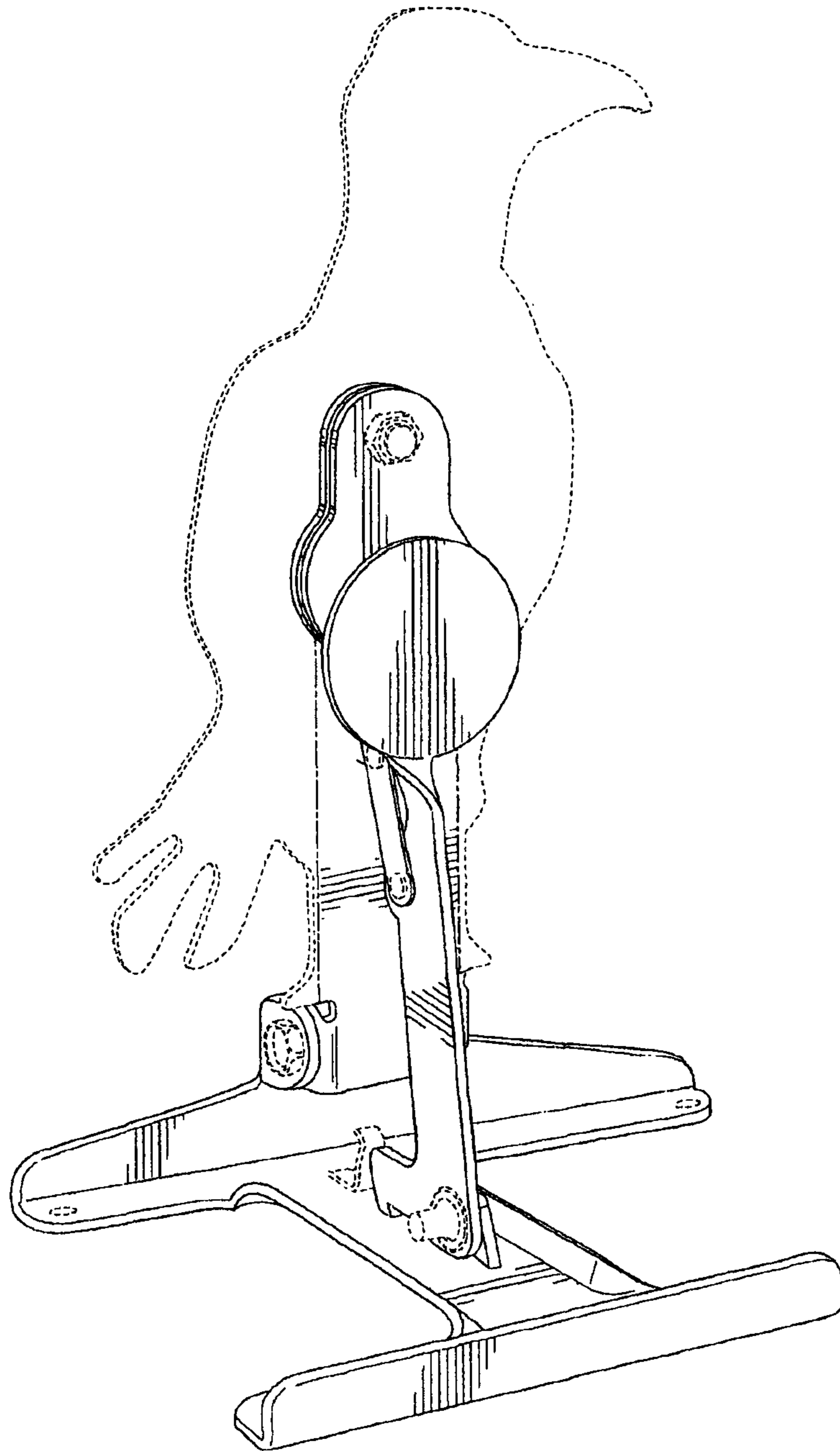


FIG. 2

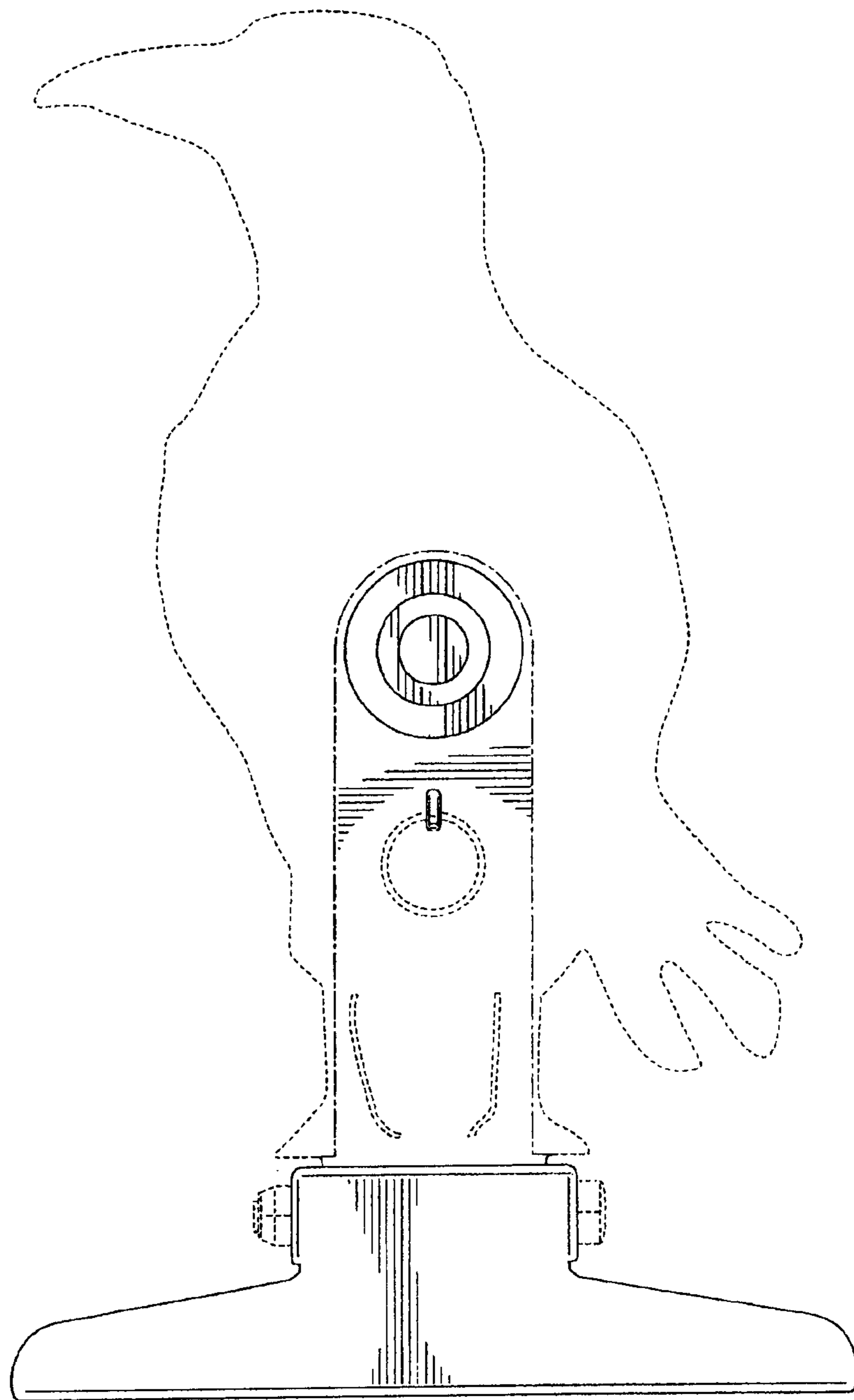


FIG. 3

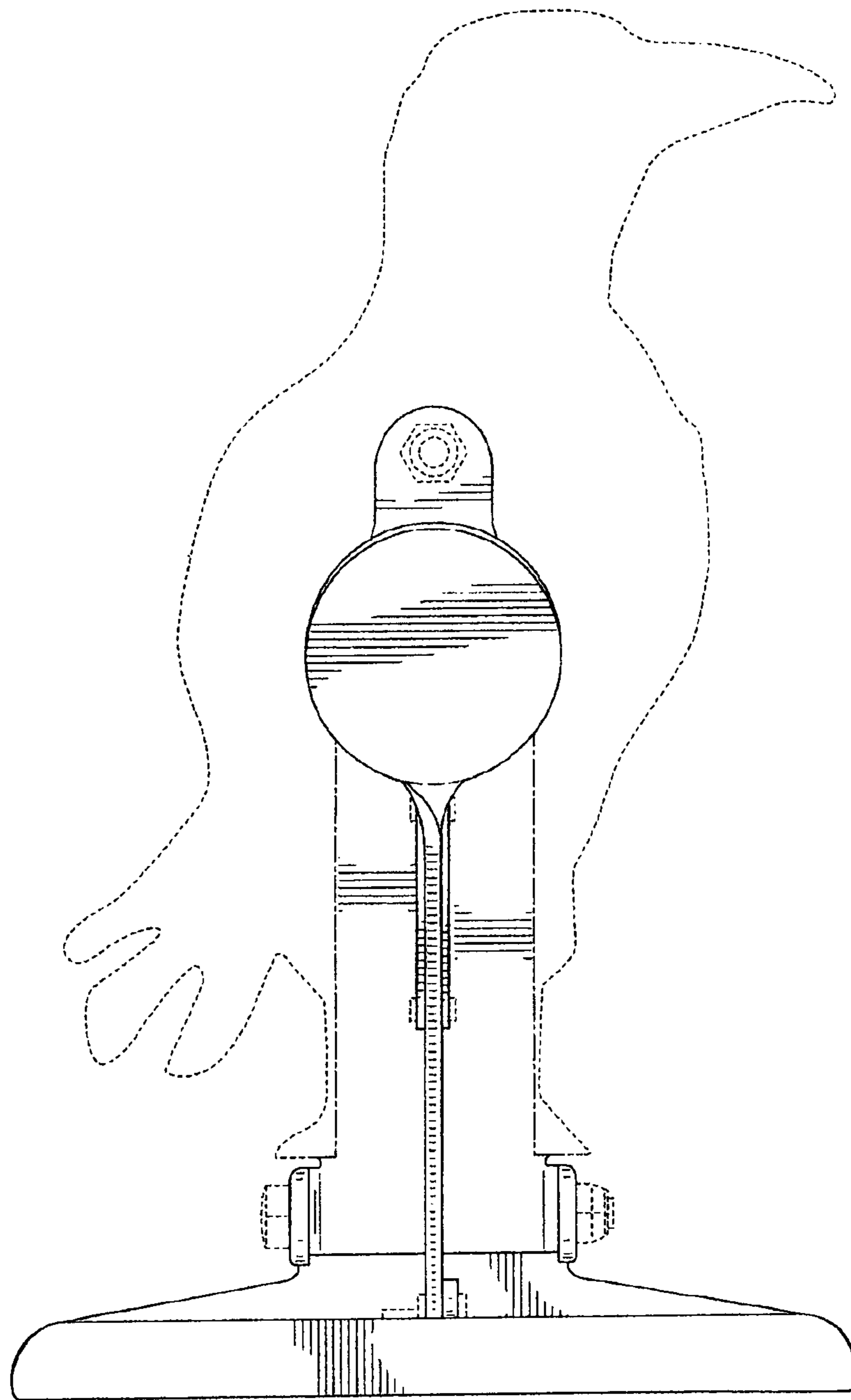


FIG. 4

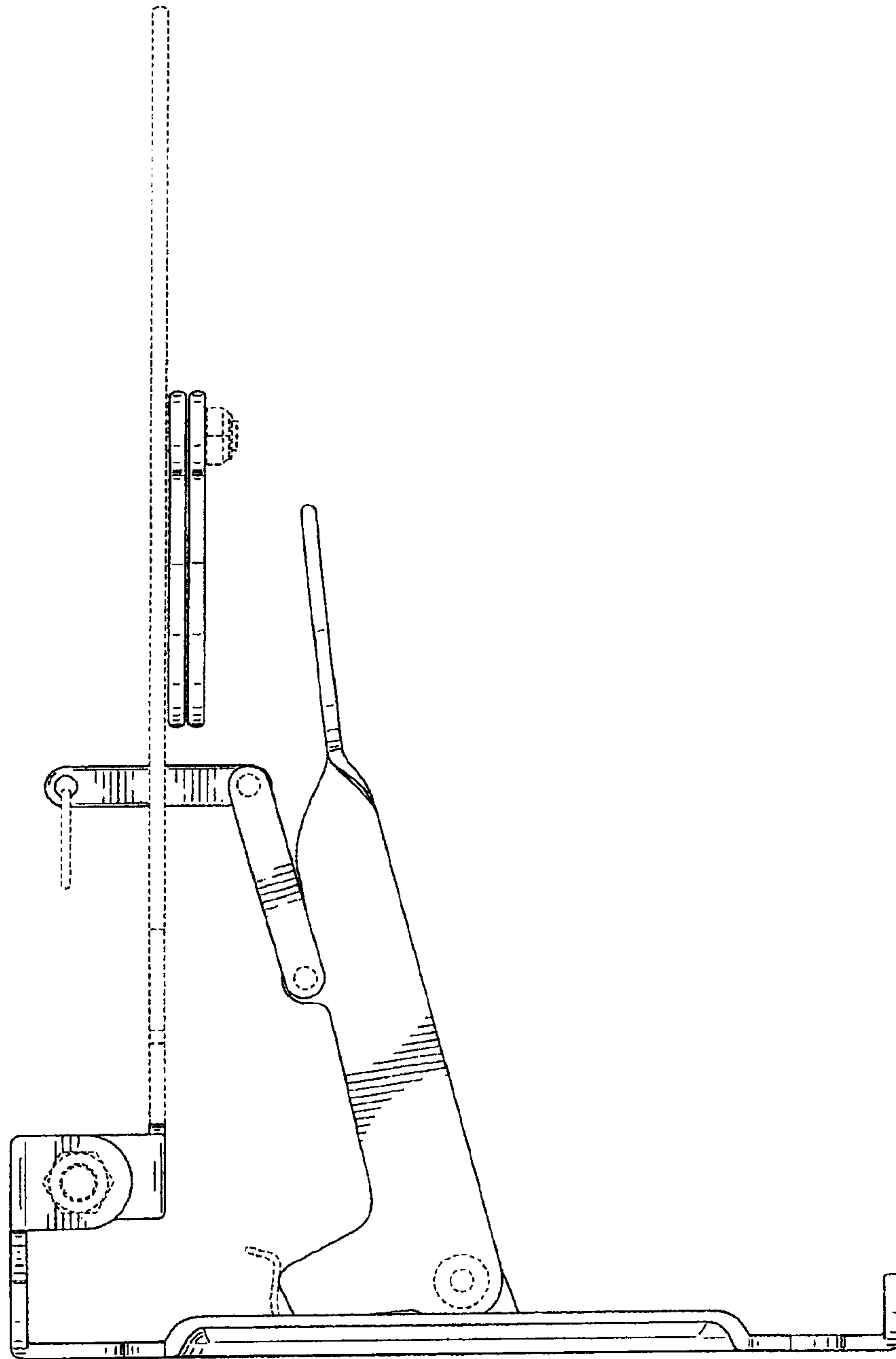


FIG. 5

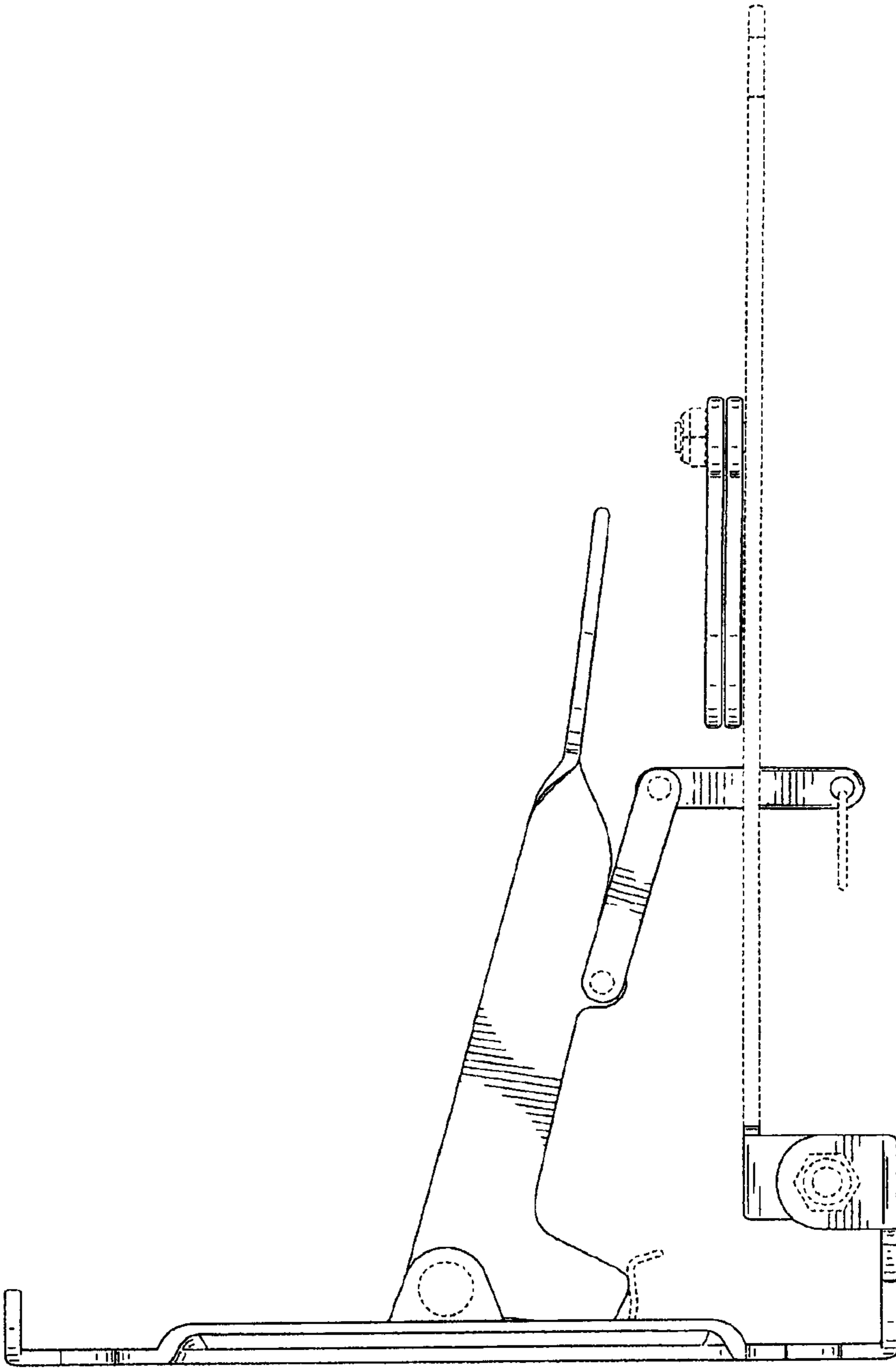


FIG. 6



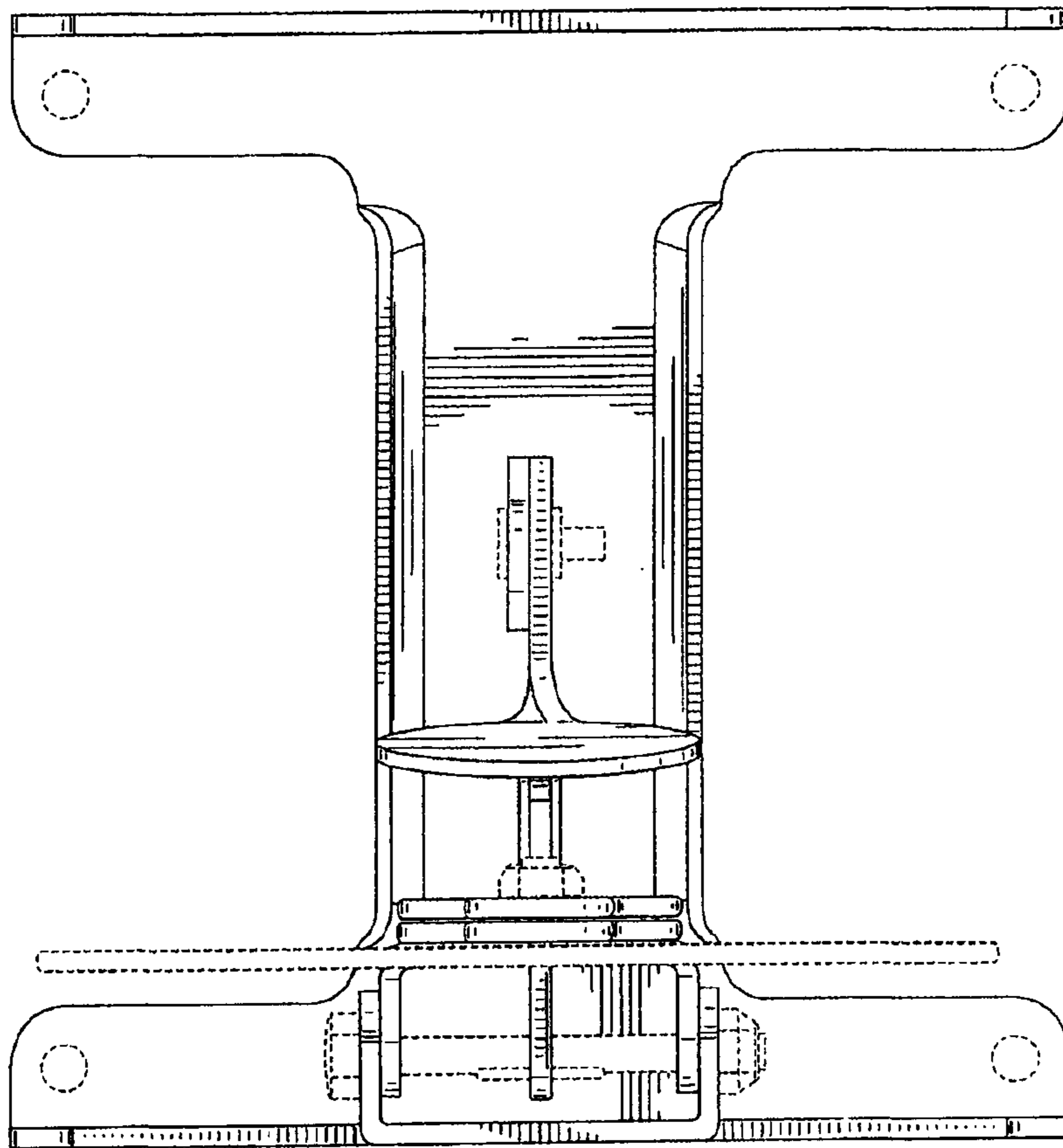


FIG. 7

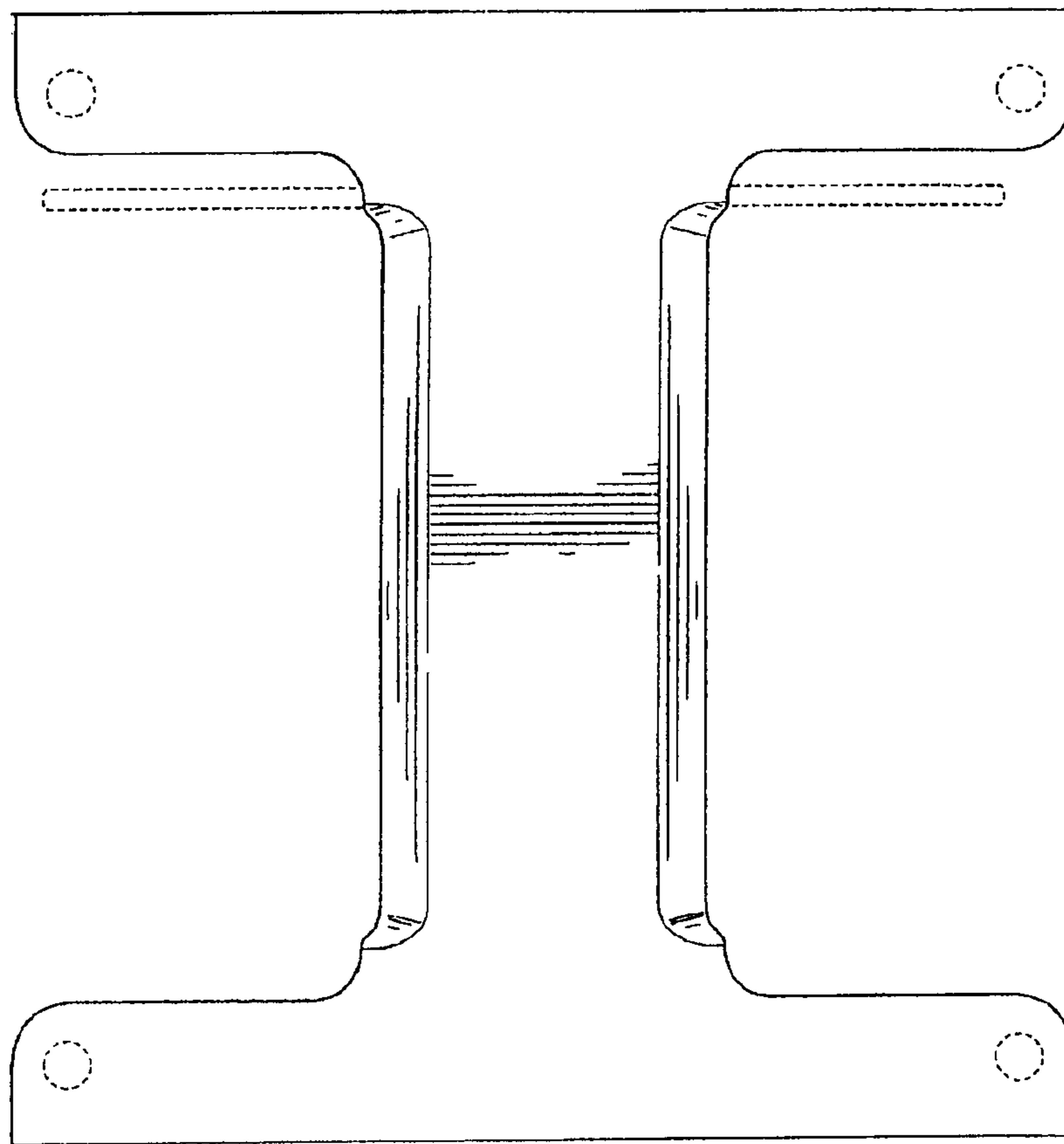


FIG. 8

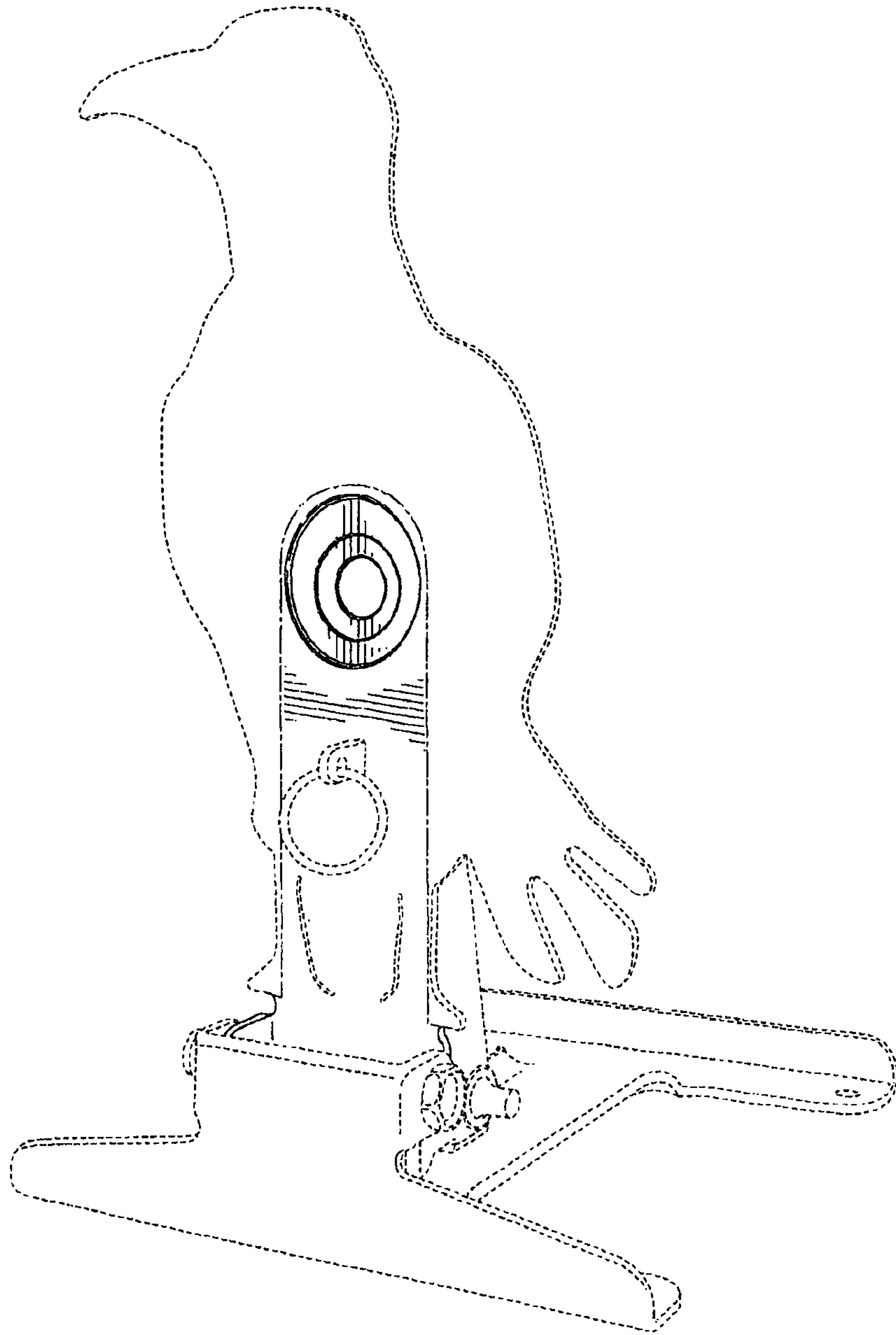


FIG. 9

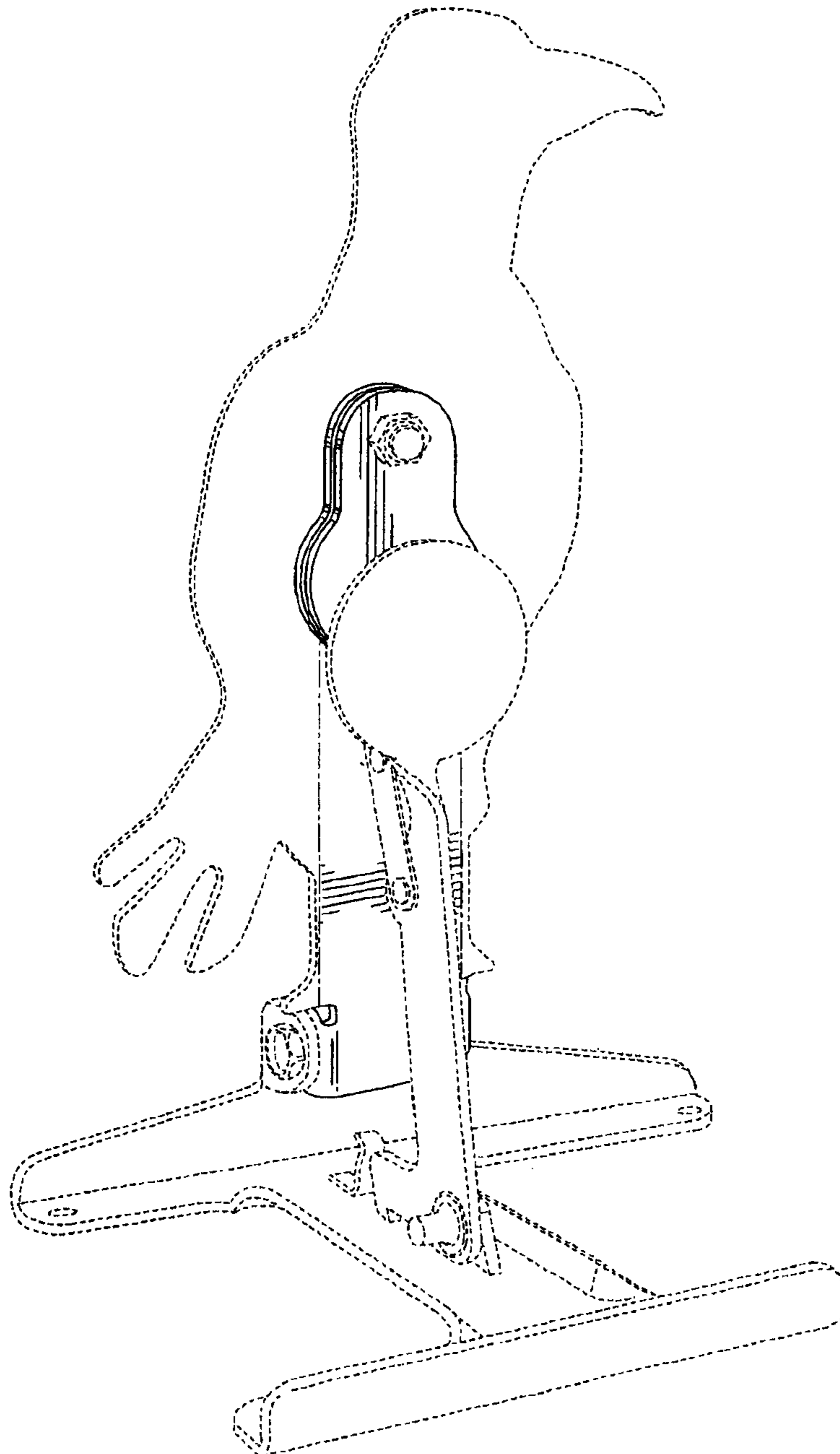


FIG. 10

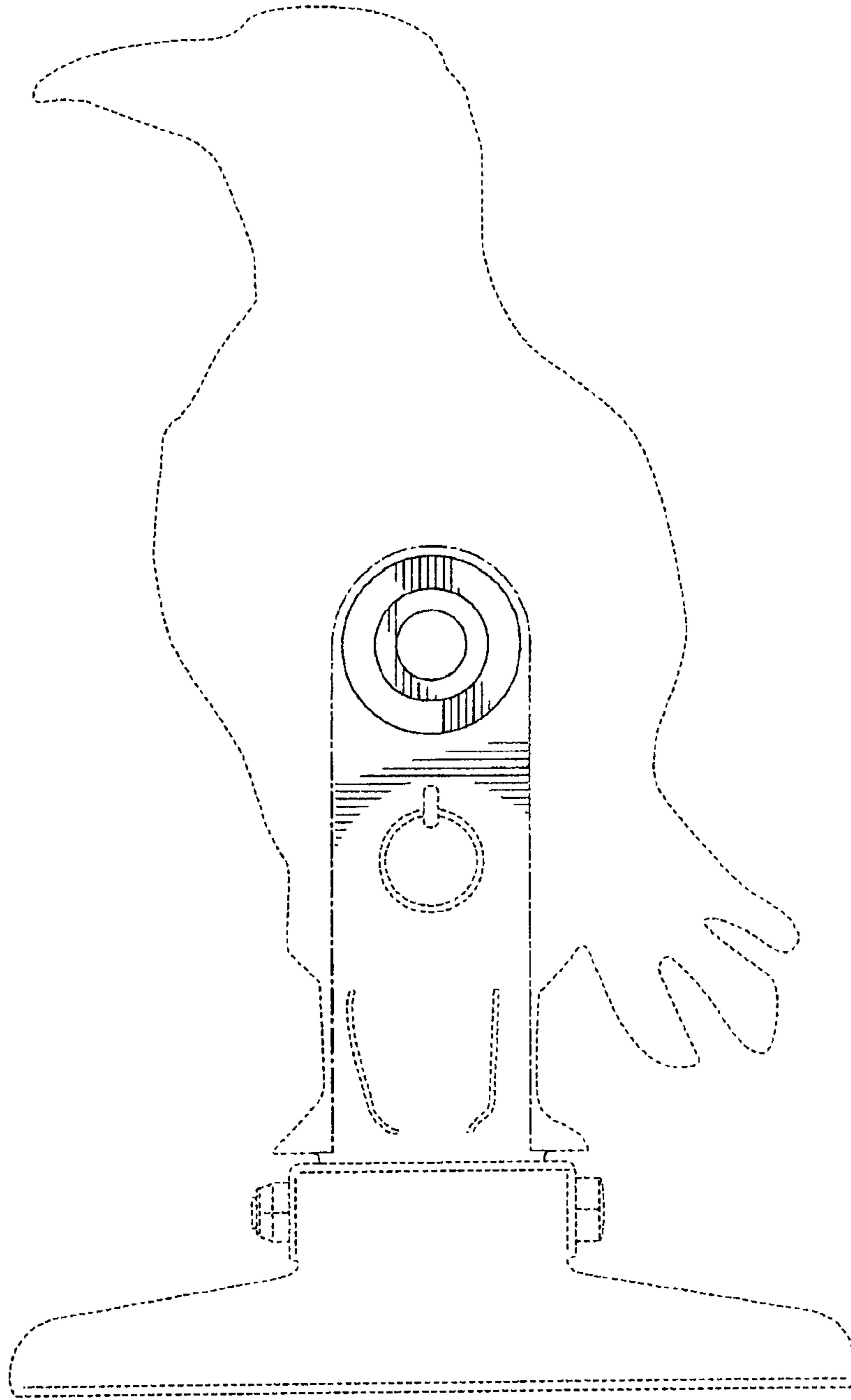


FIG. 11

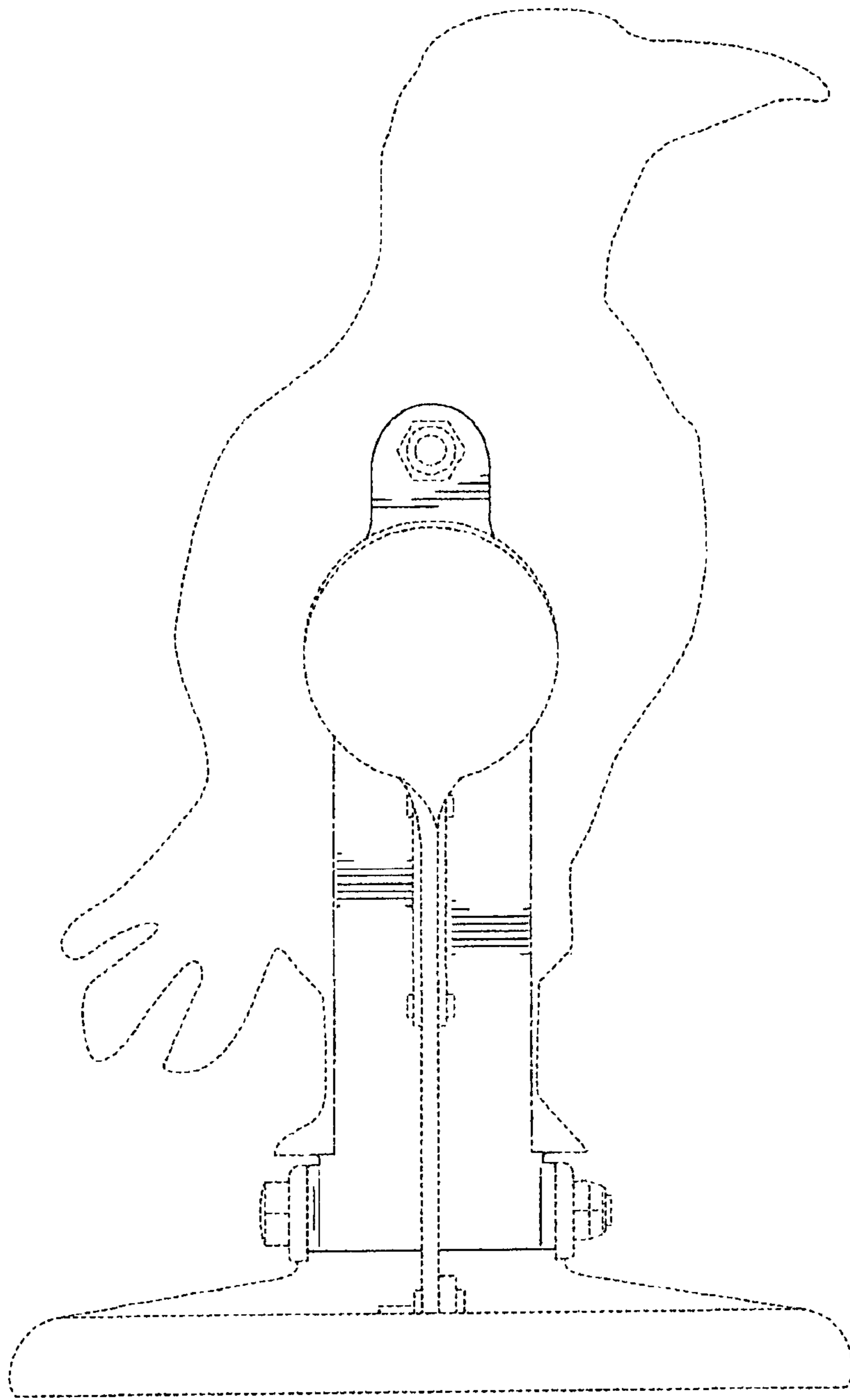


FIG. 12

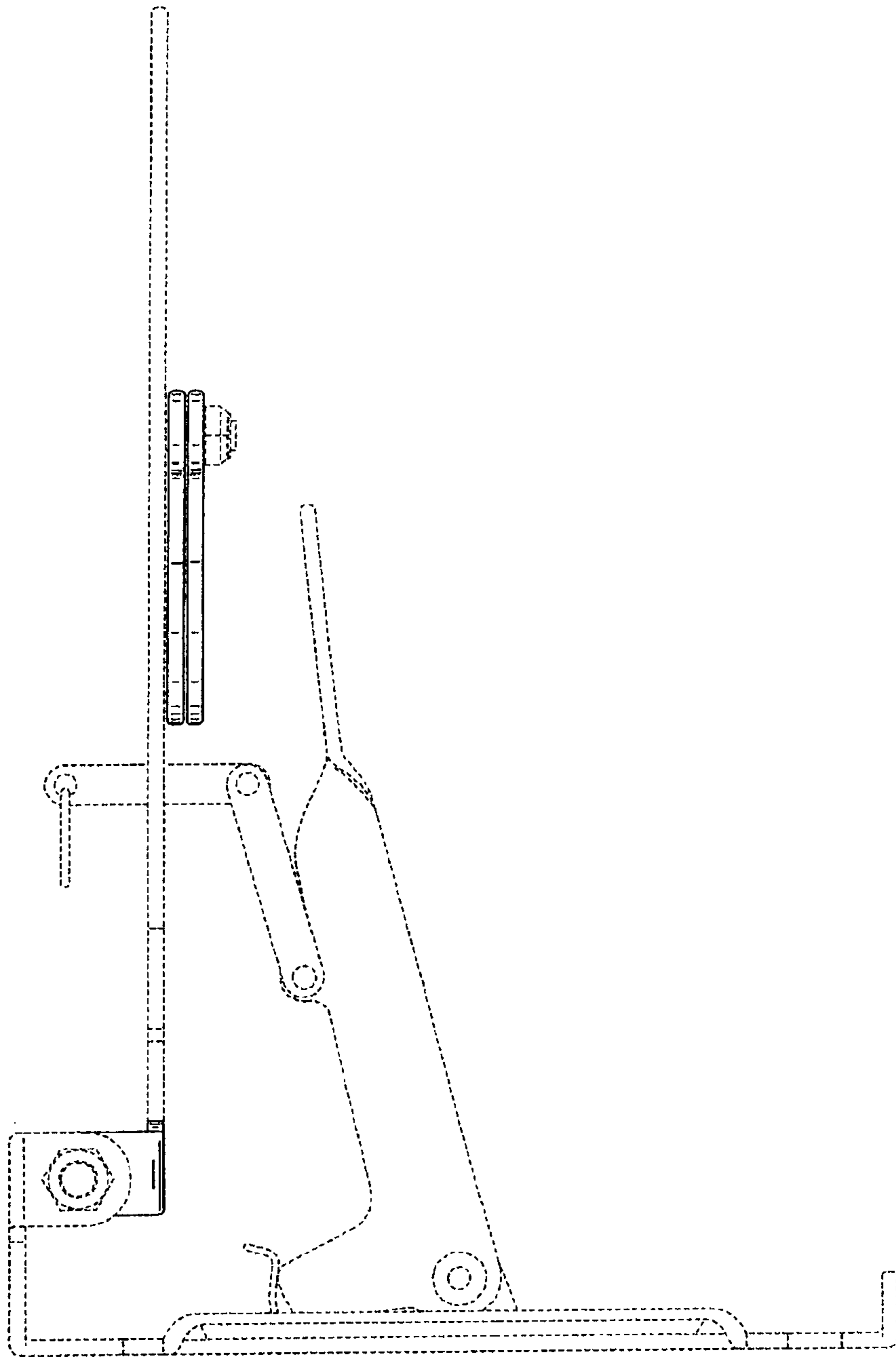


FIG. 13

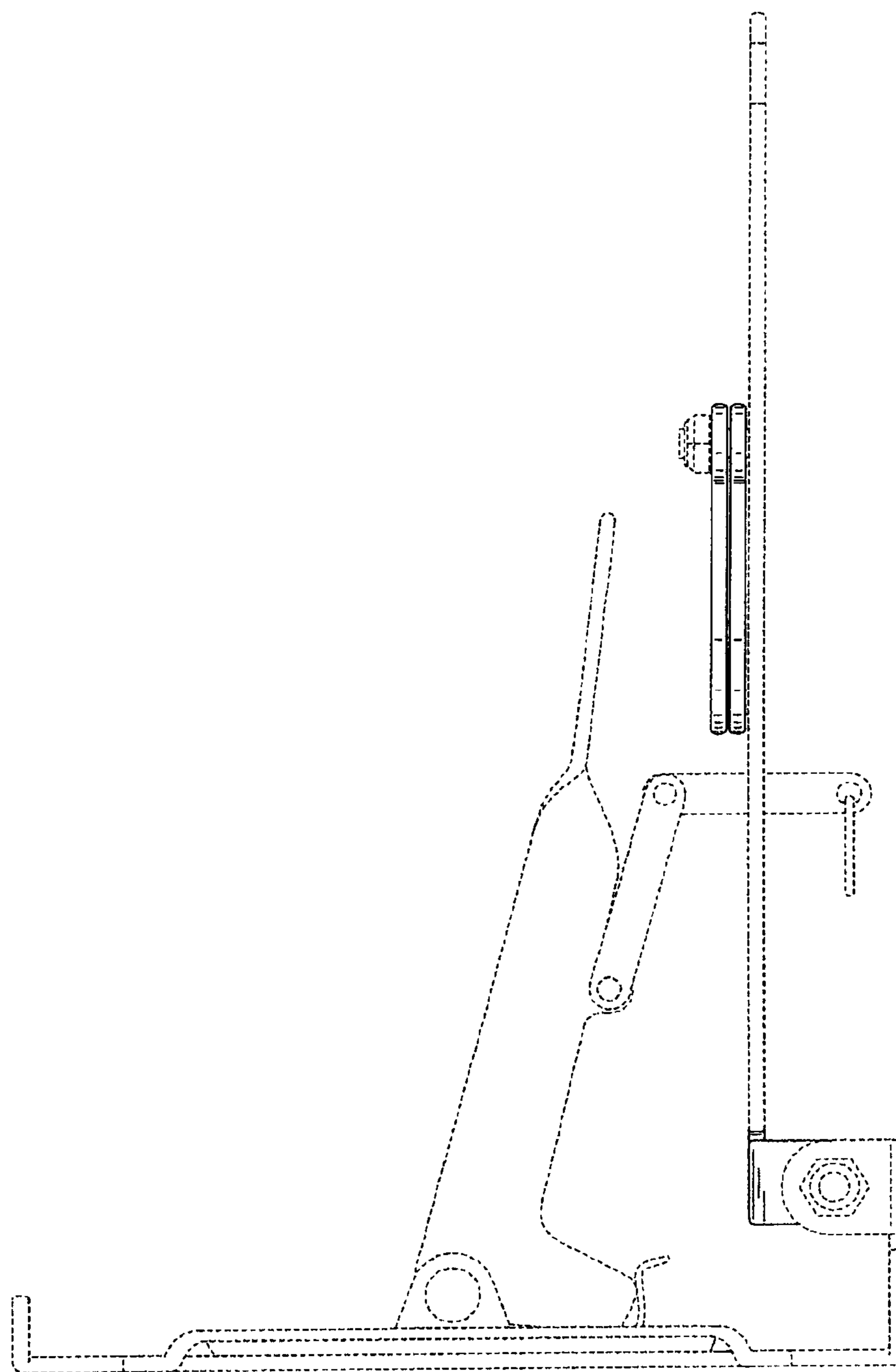


FIG. 14



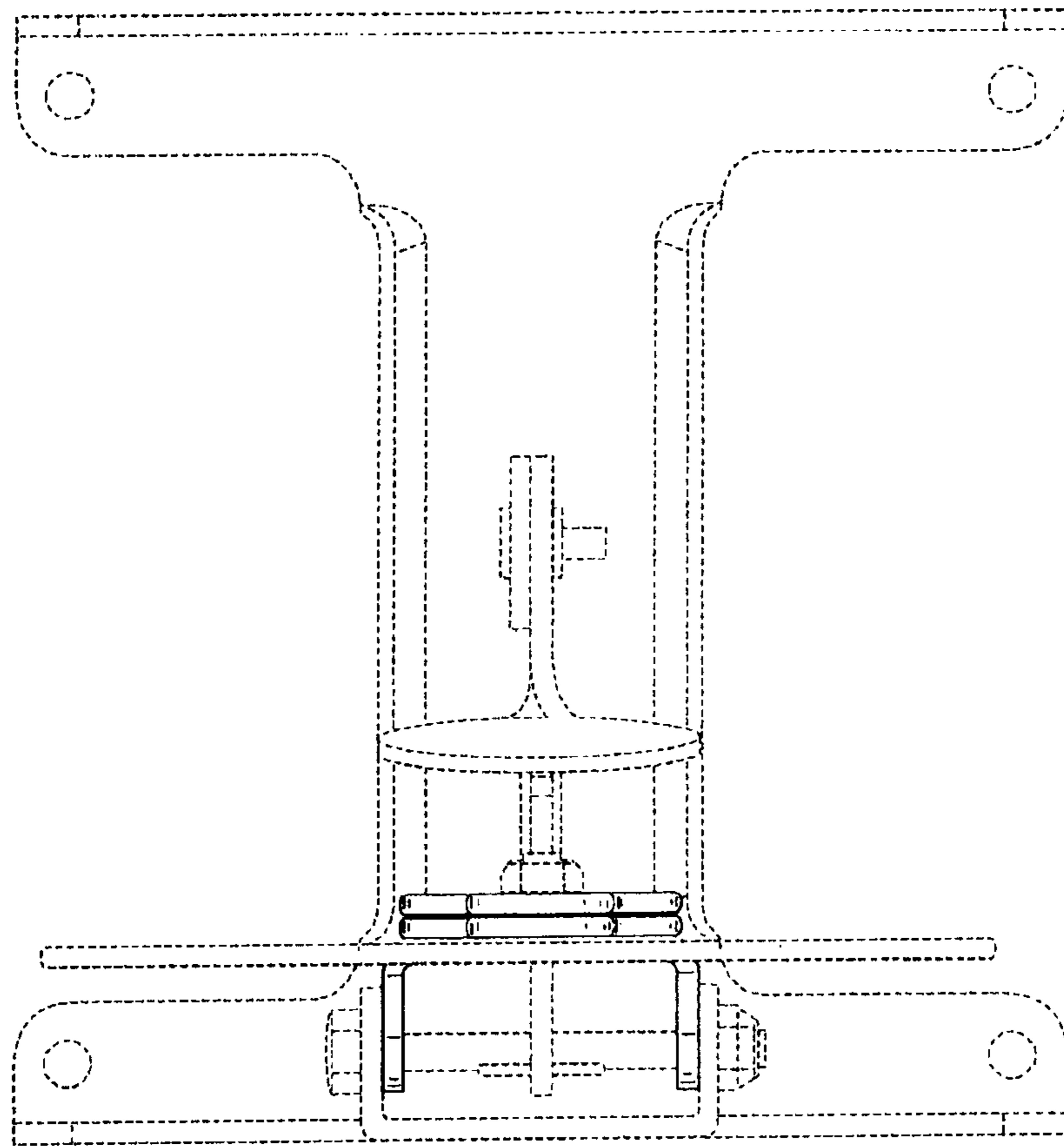


FIG. 15

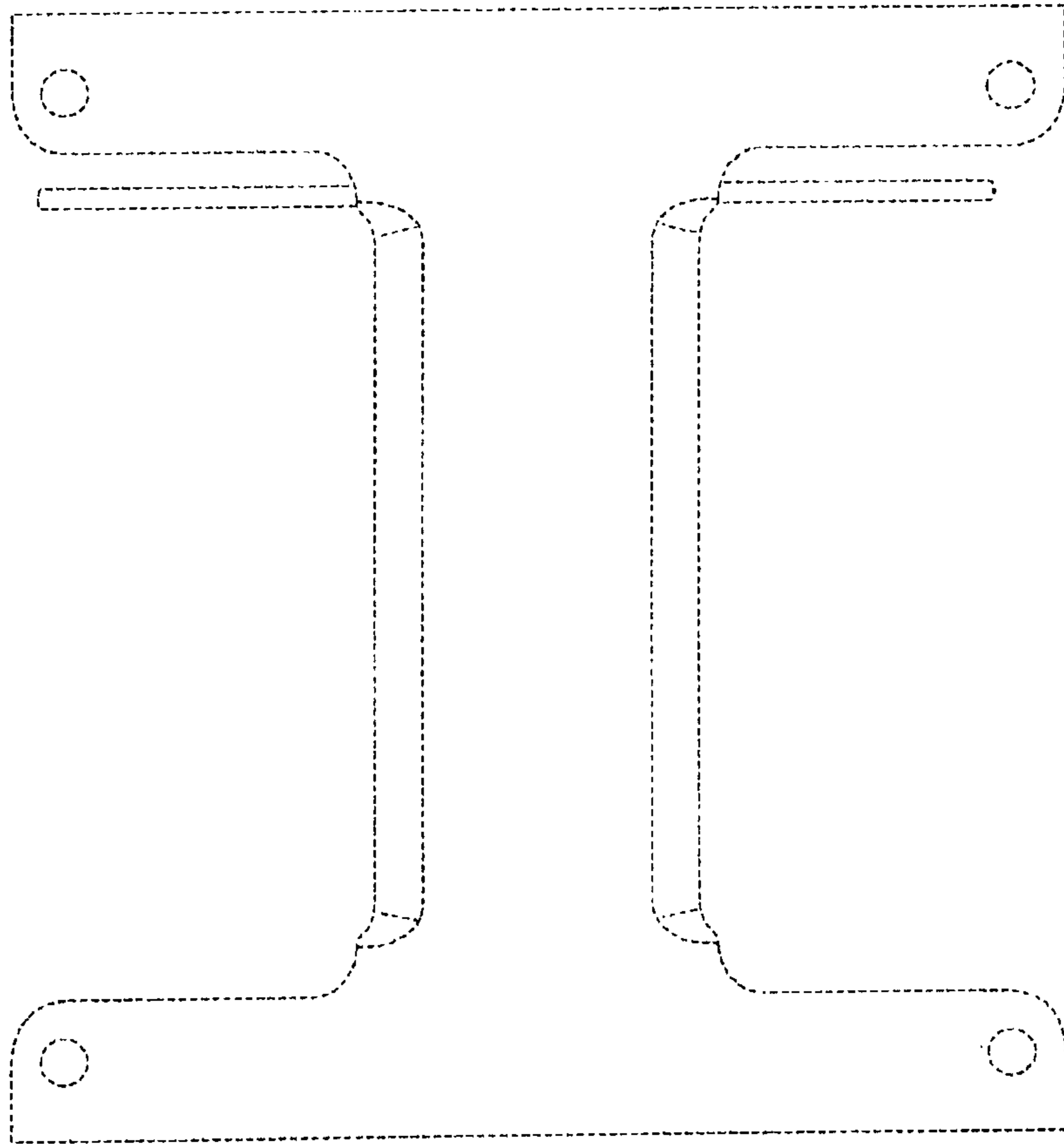


FIG. 16

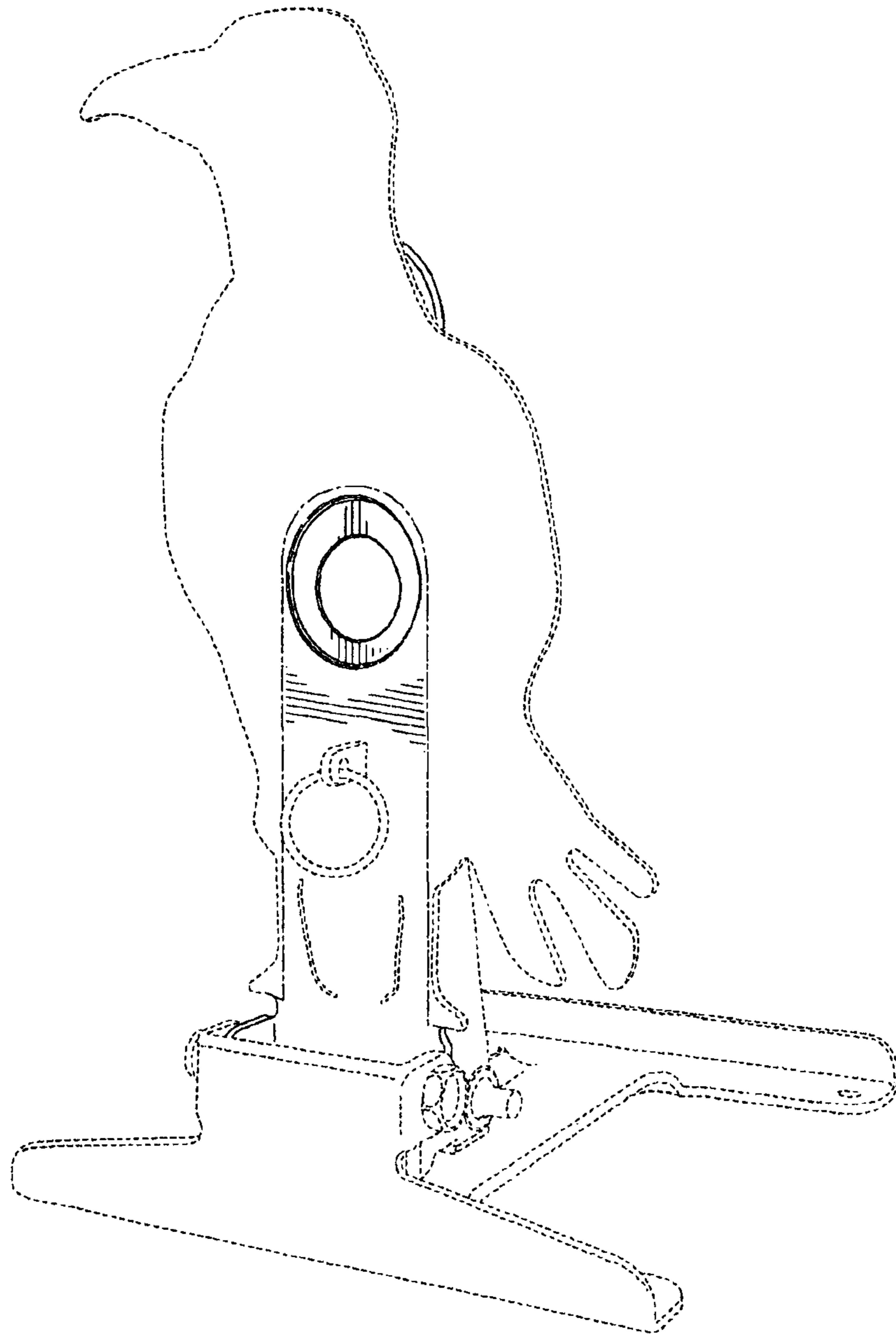


FIG. 17

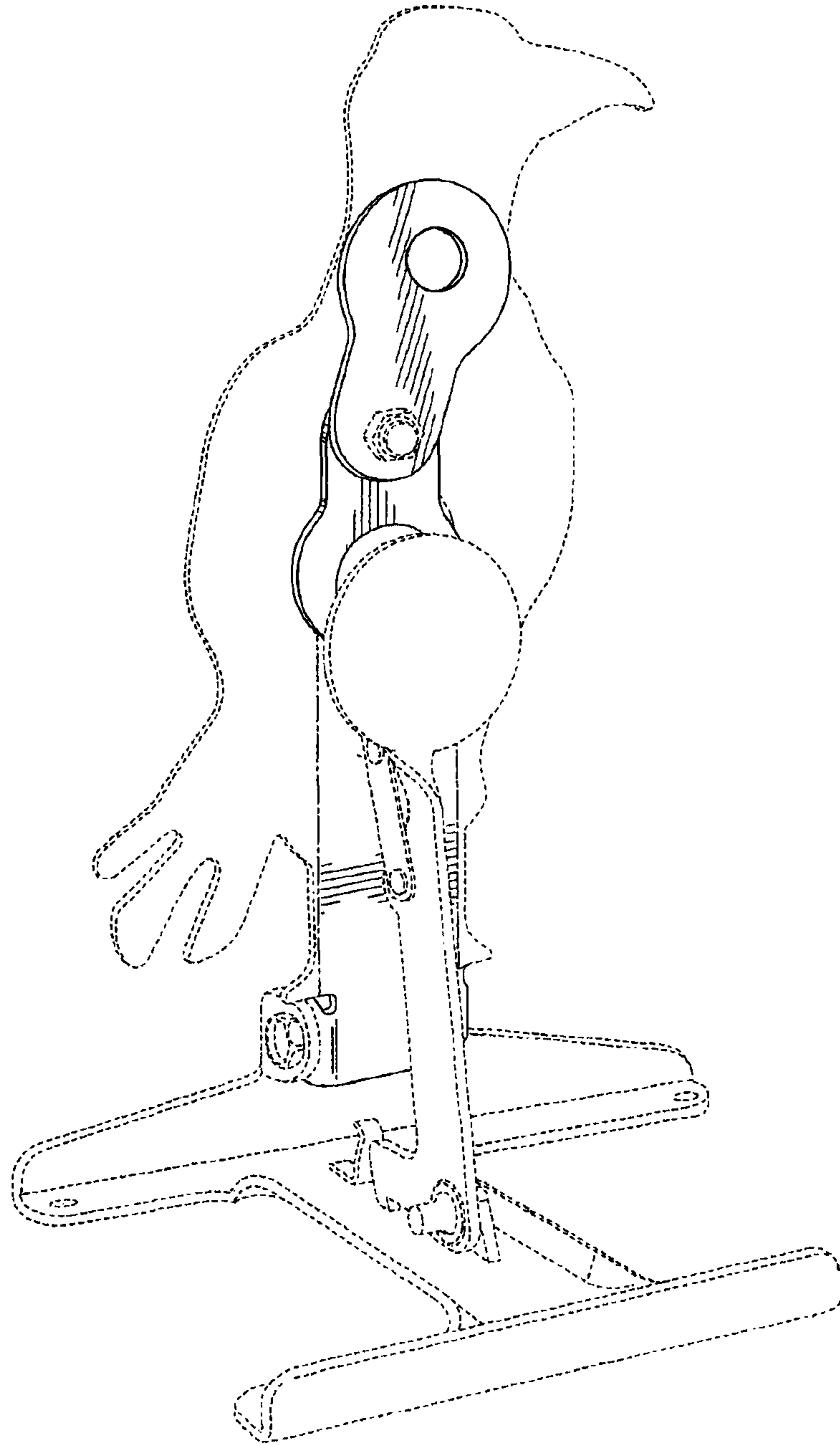


FIG. 18

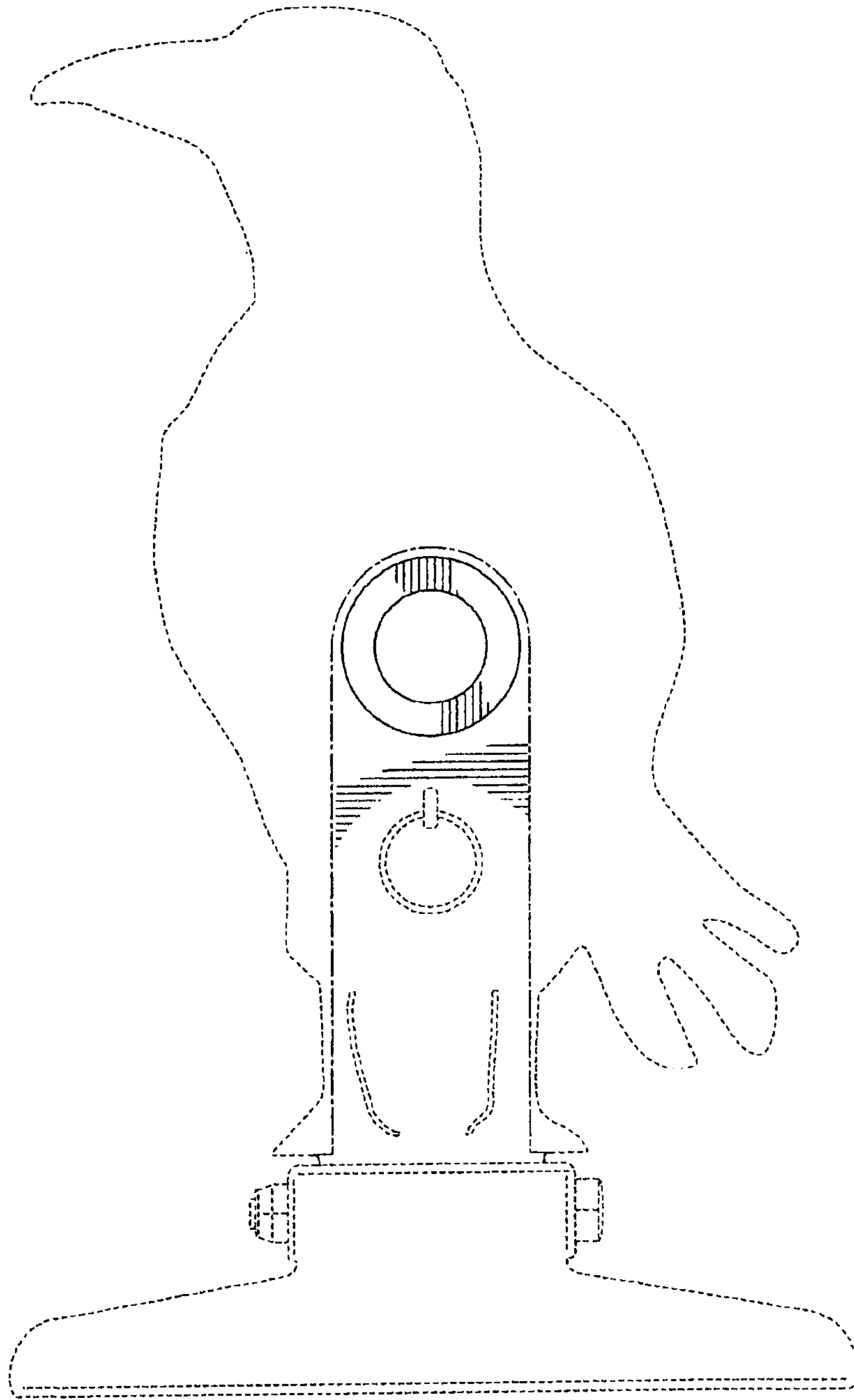


FIG. 19

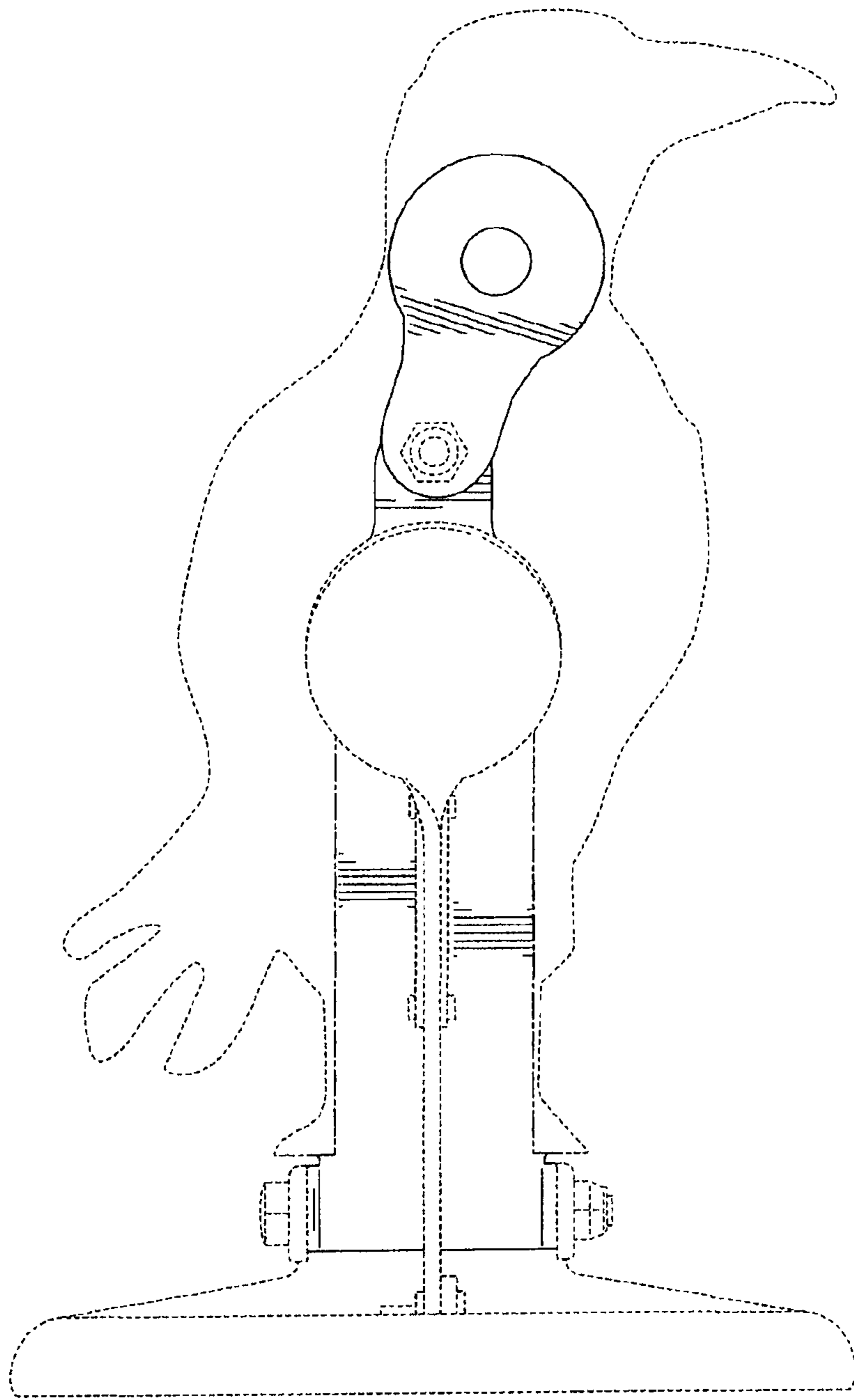


FIG. 20

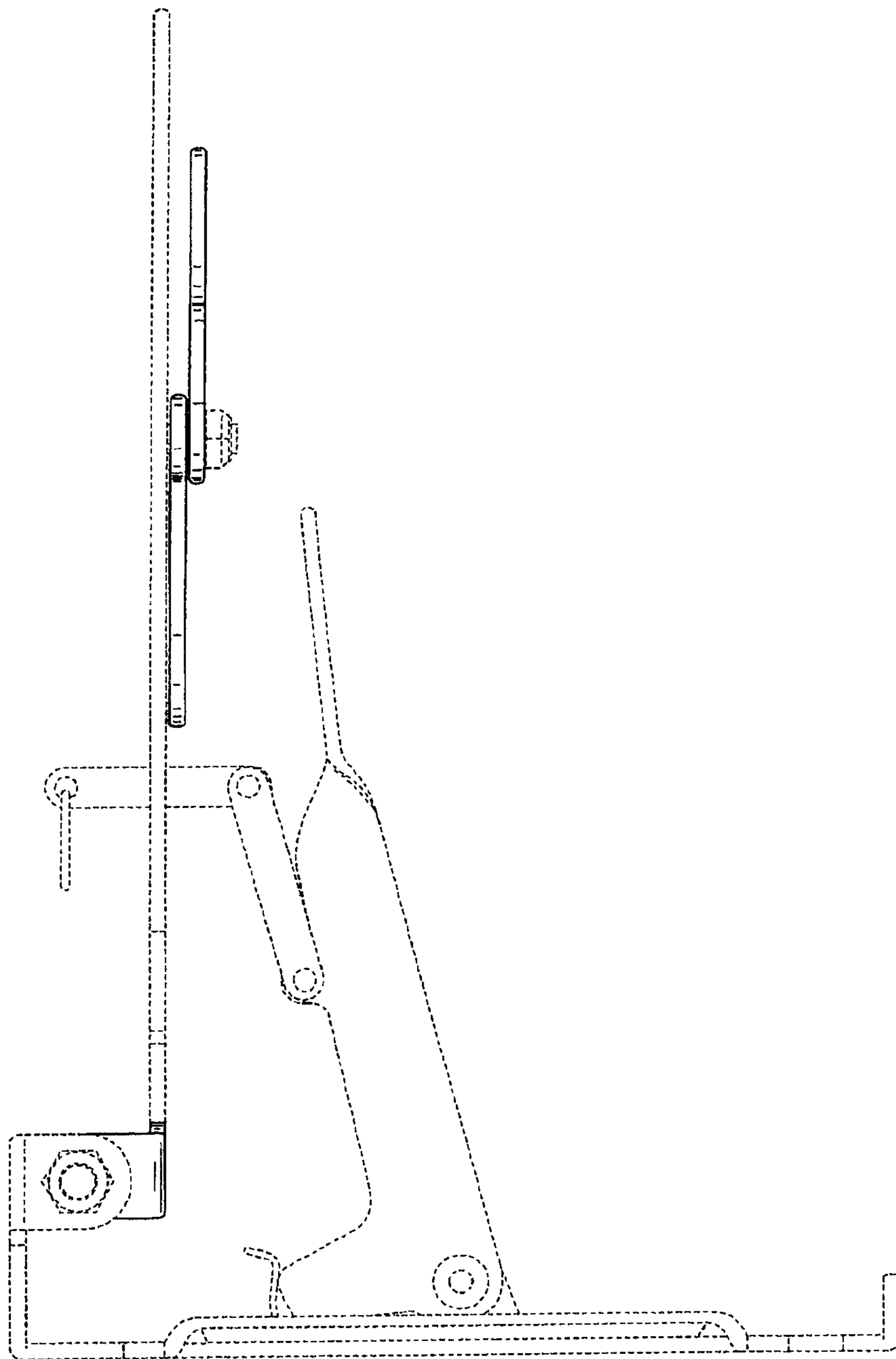


FIG. 21

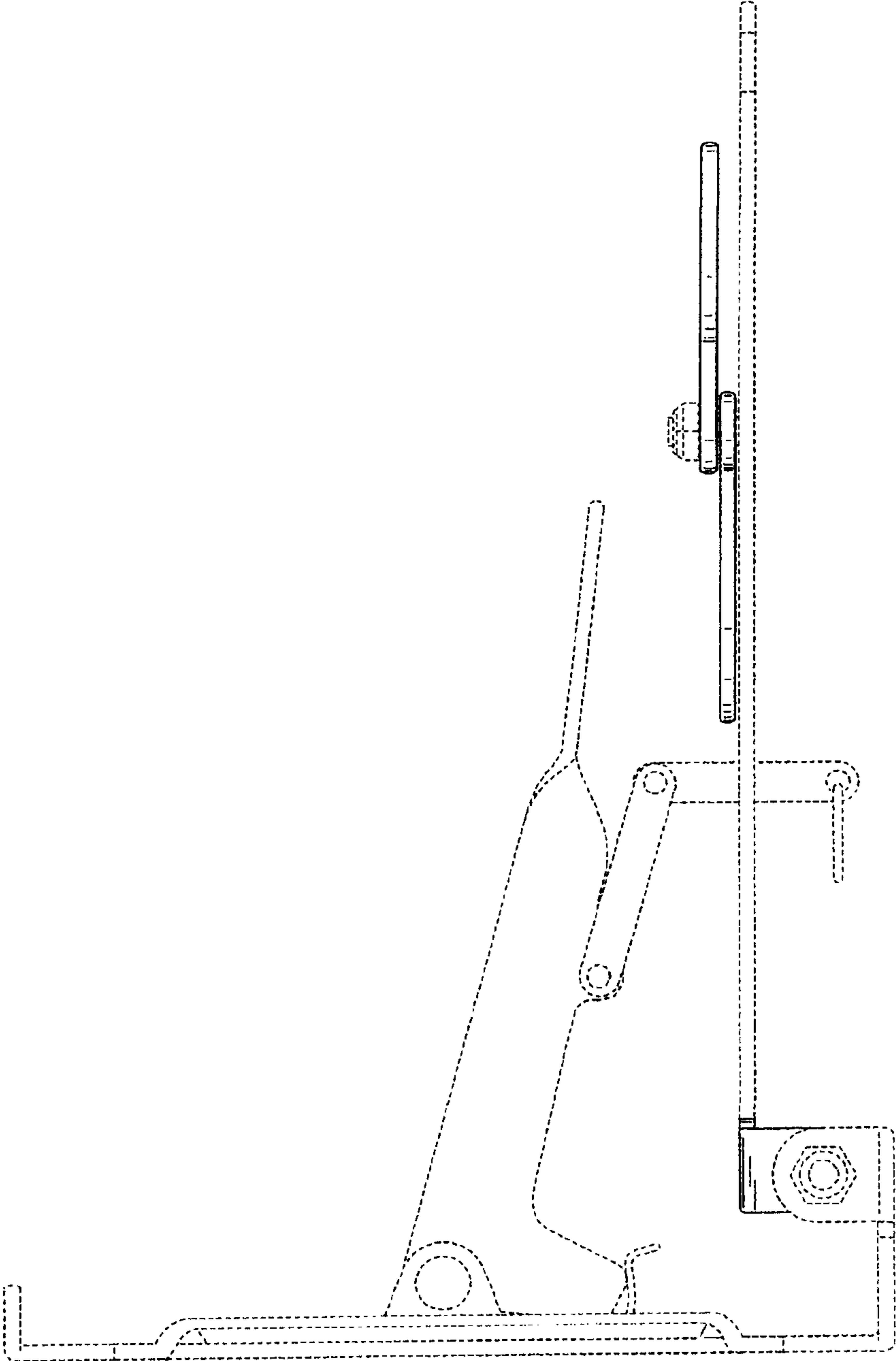


FIG. 22



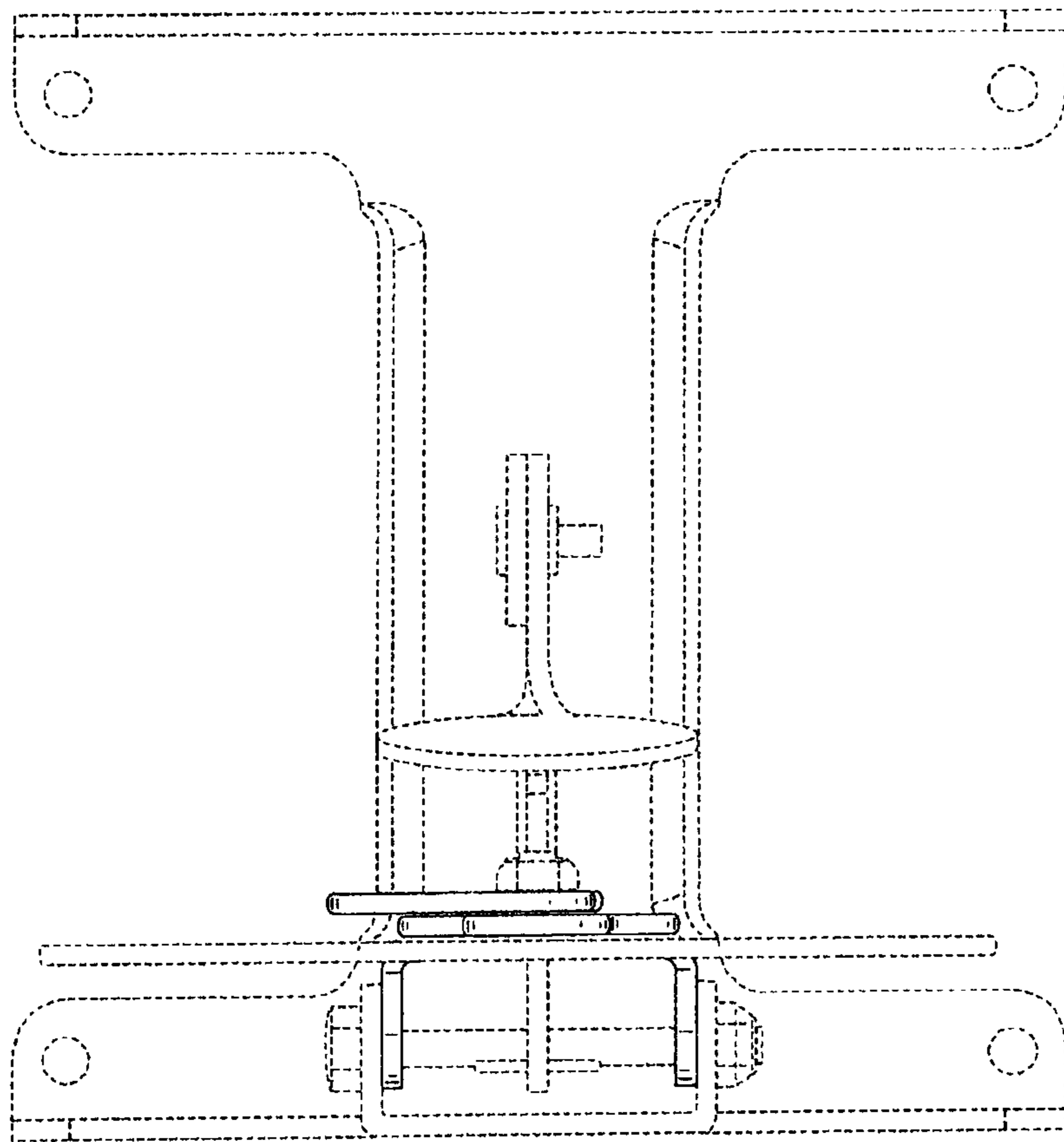


FIG. 23

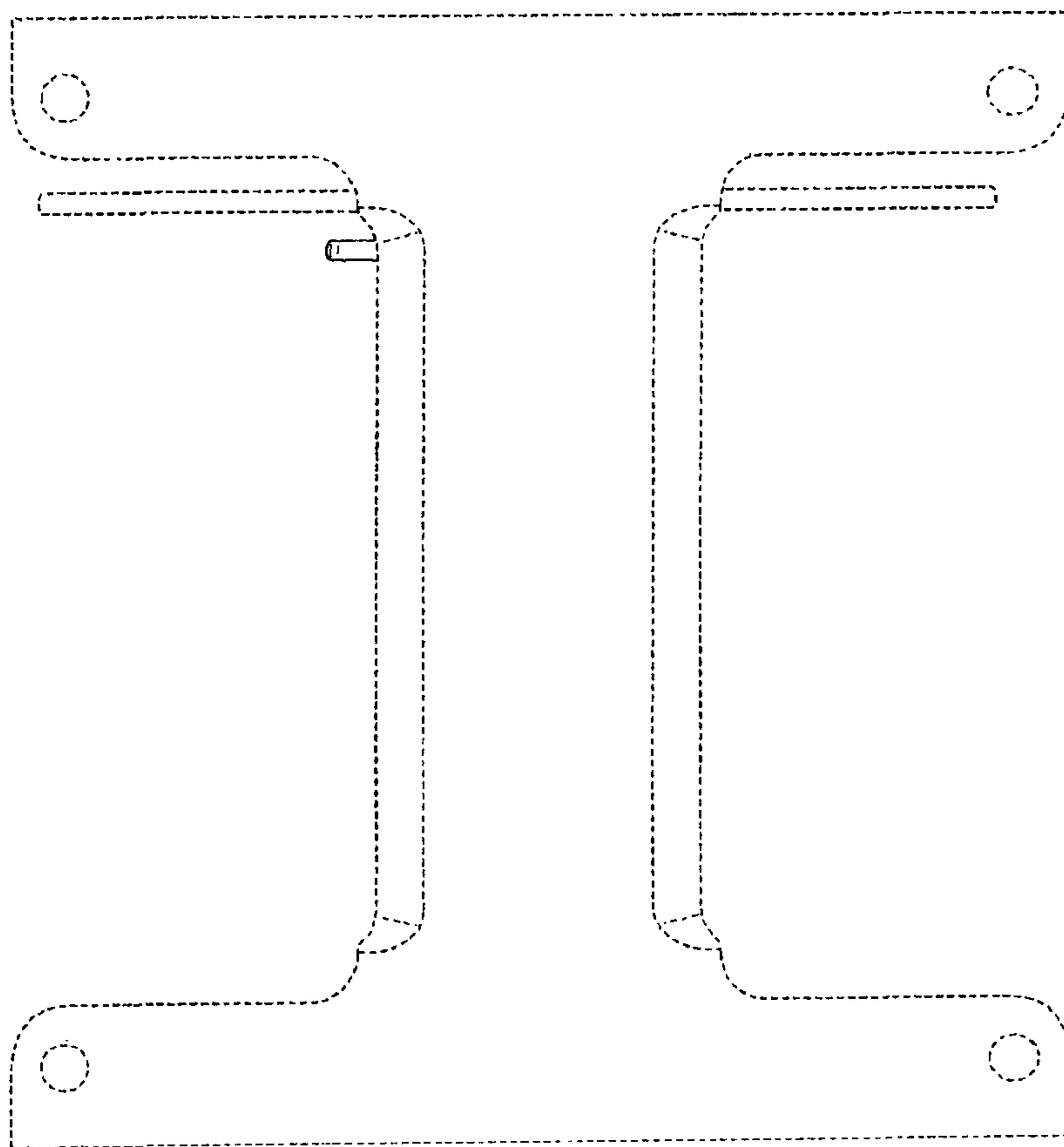


FIG. 24

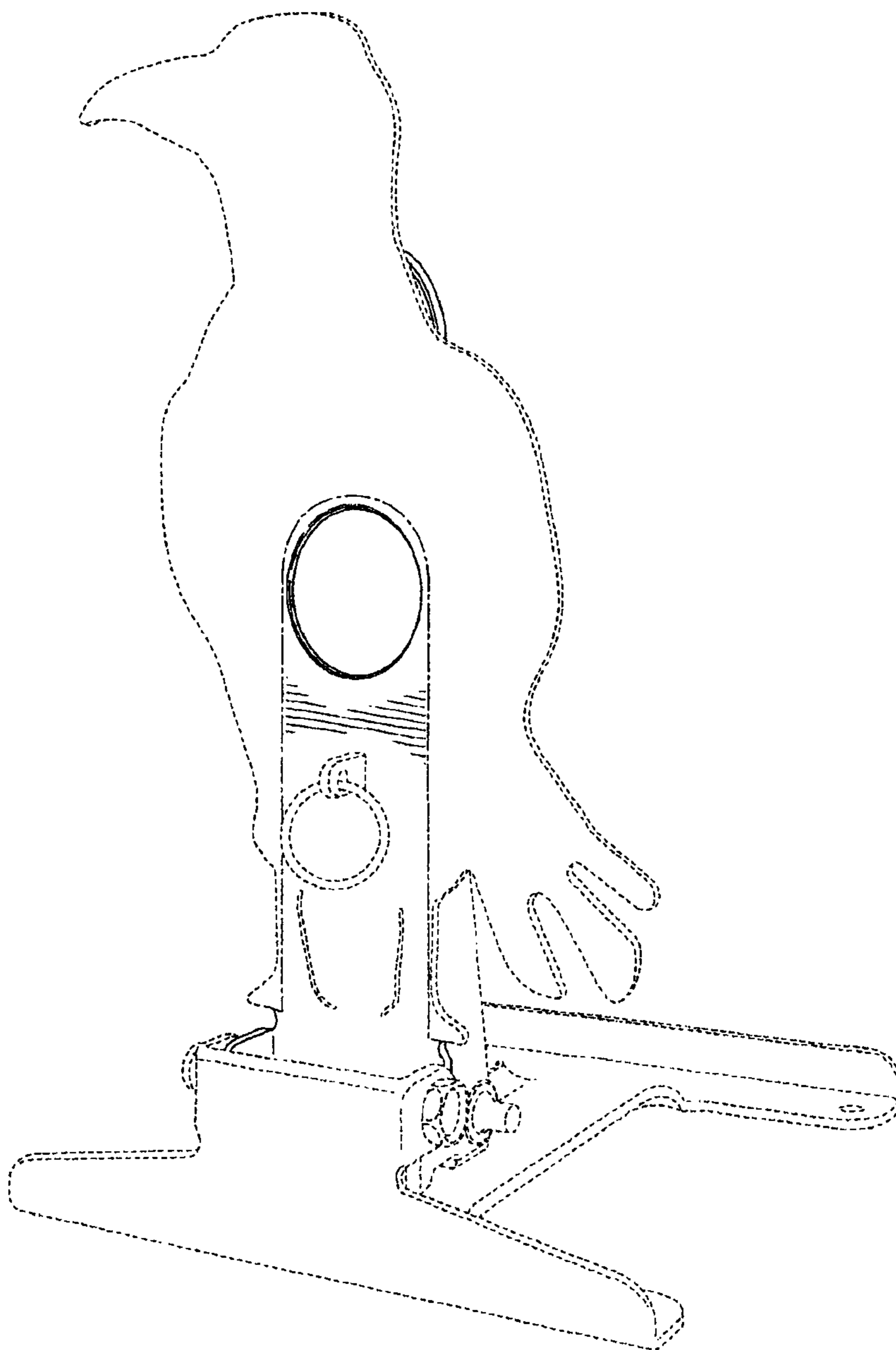


FIG. 25

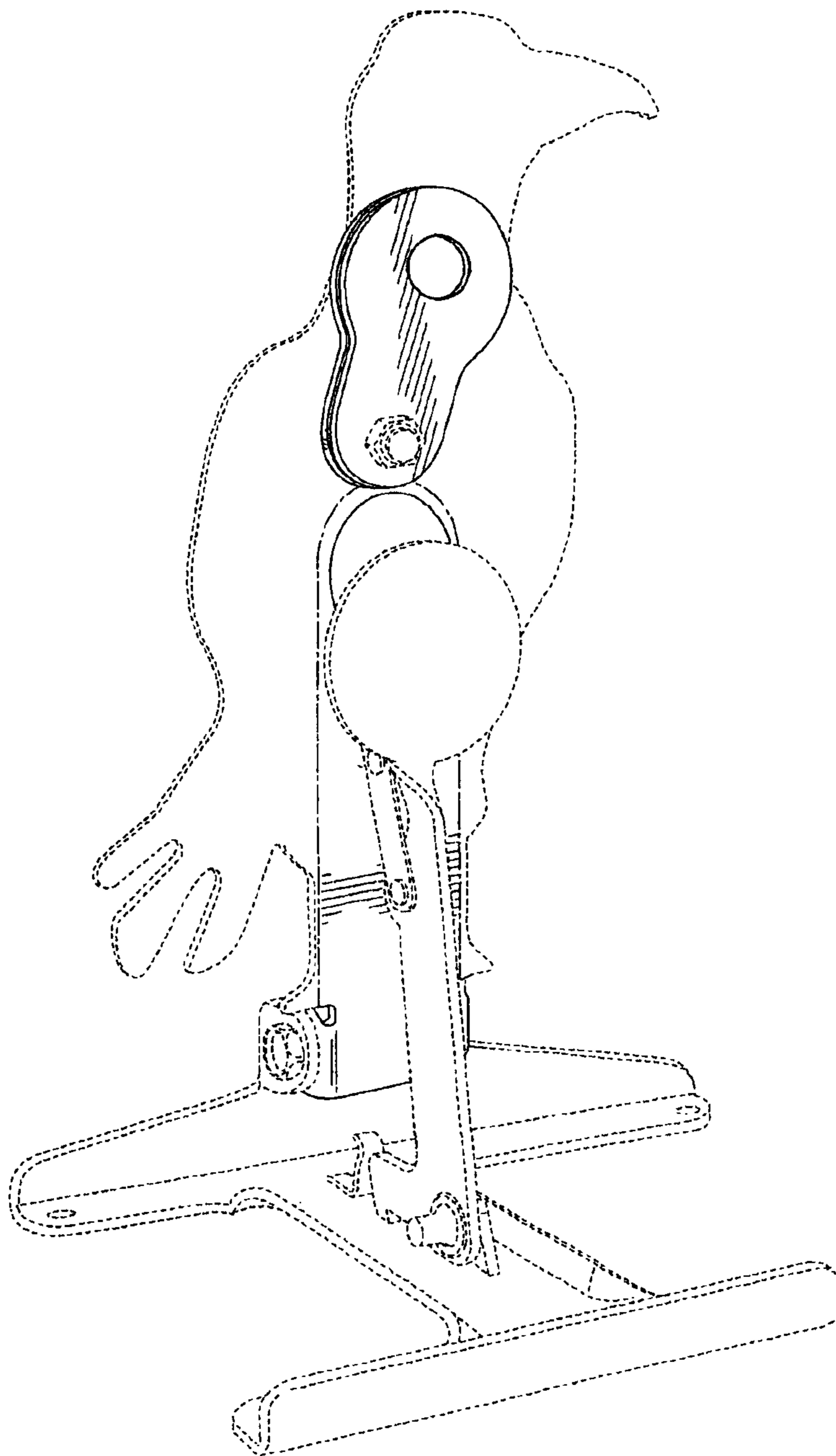


FIG. 26

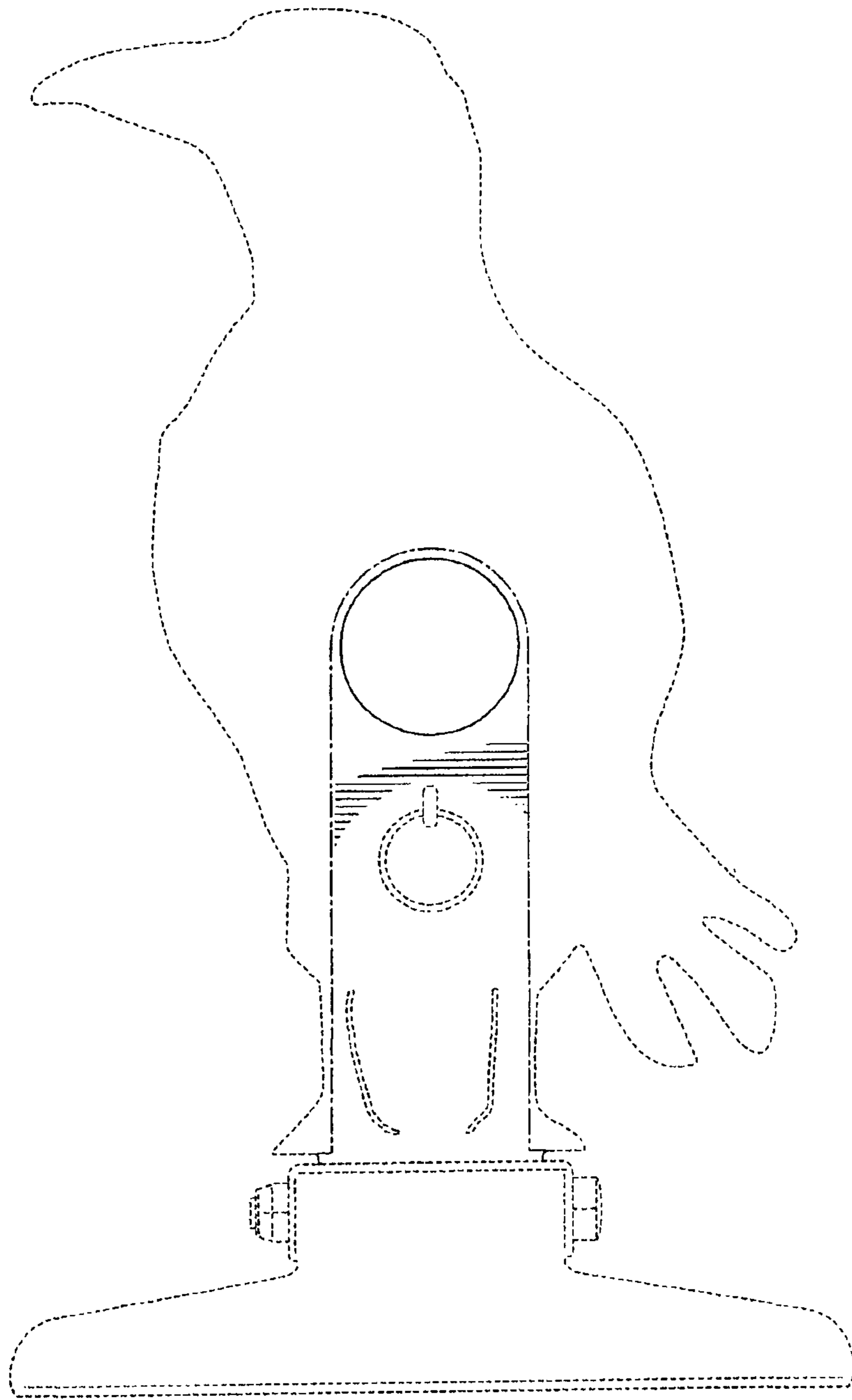


FIG. 27

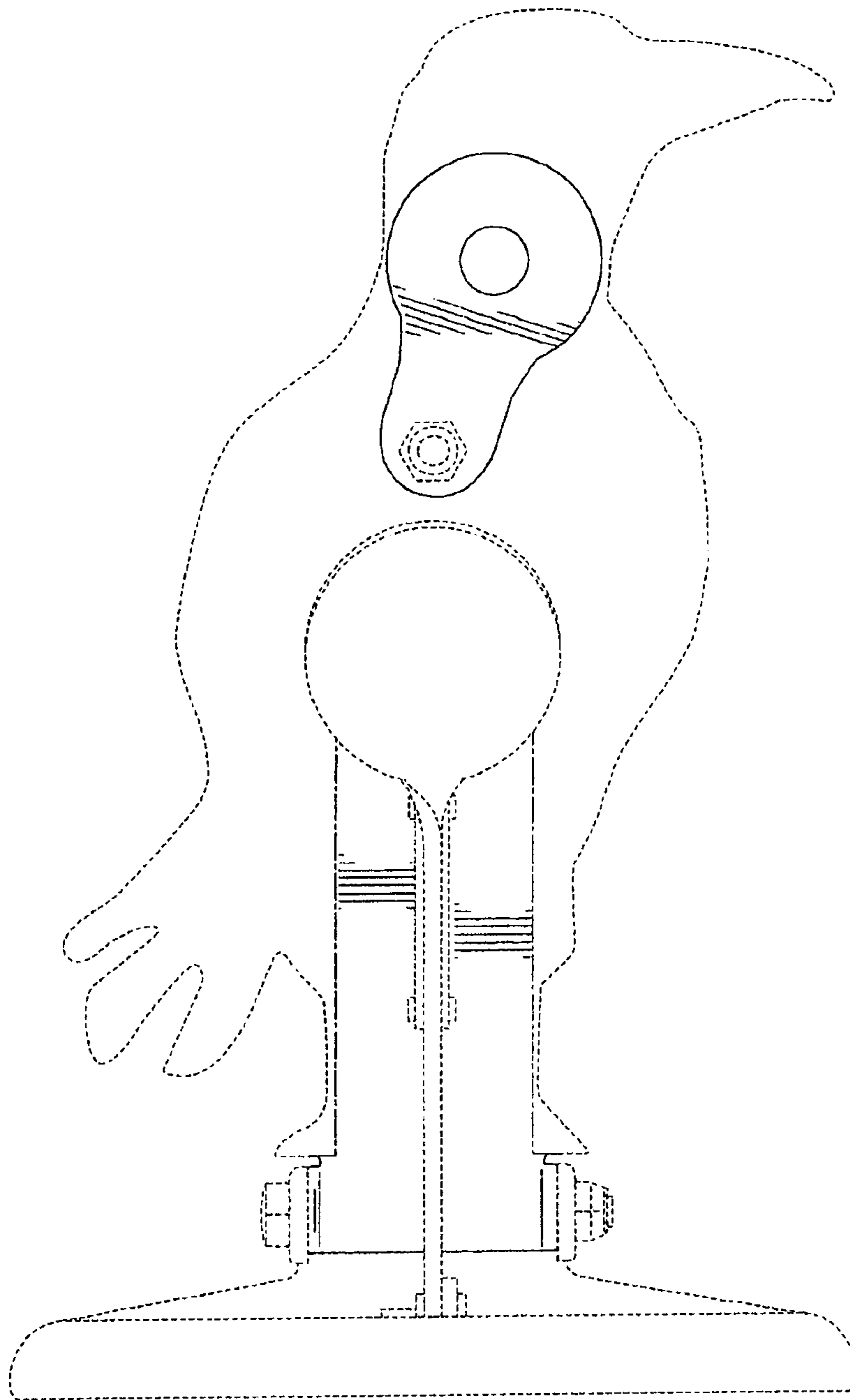


FIG. 28

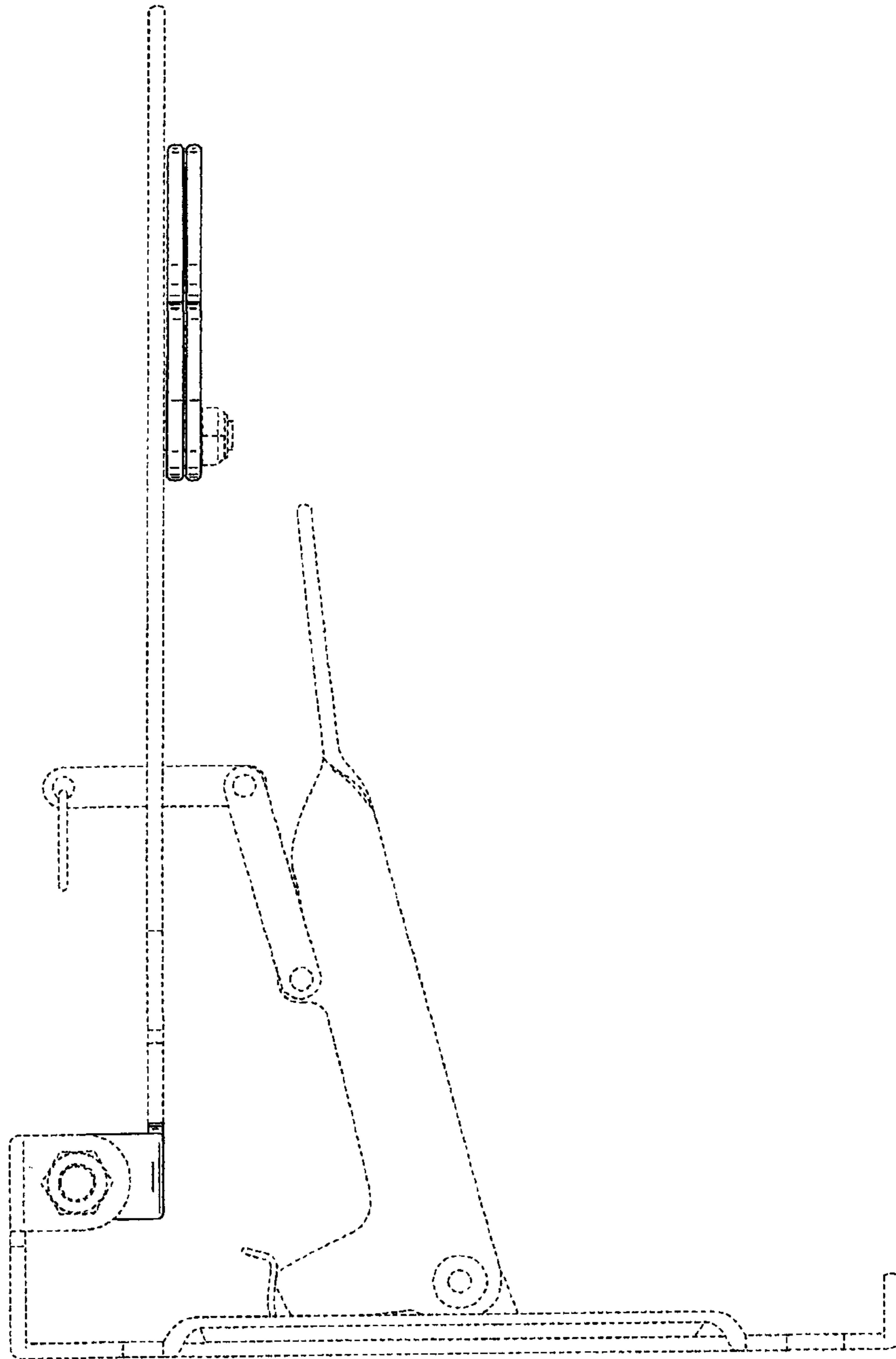


FIG. 29

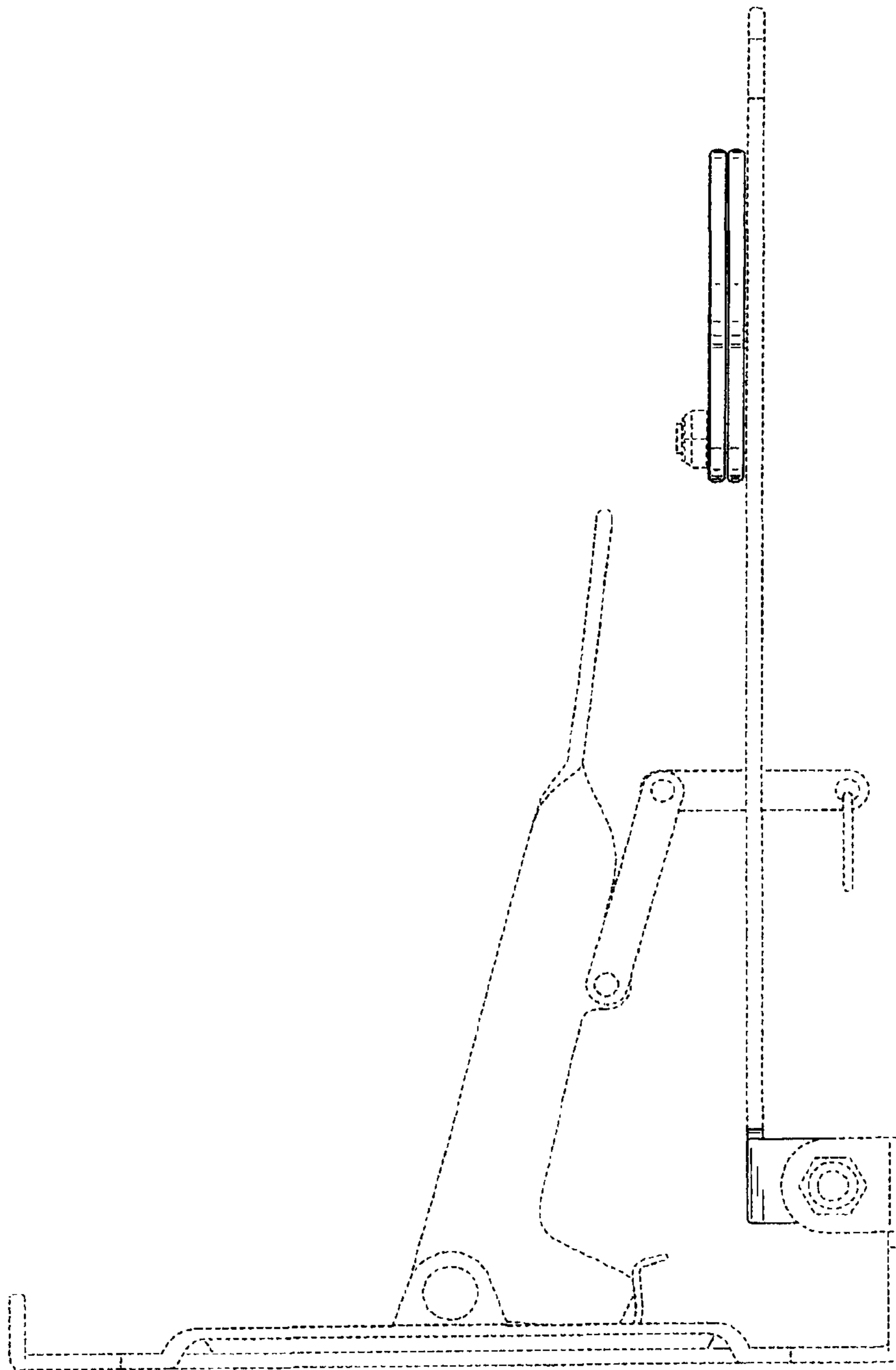


FIG. 30



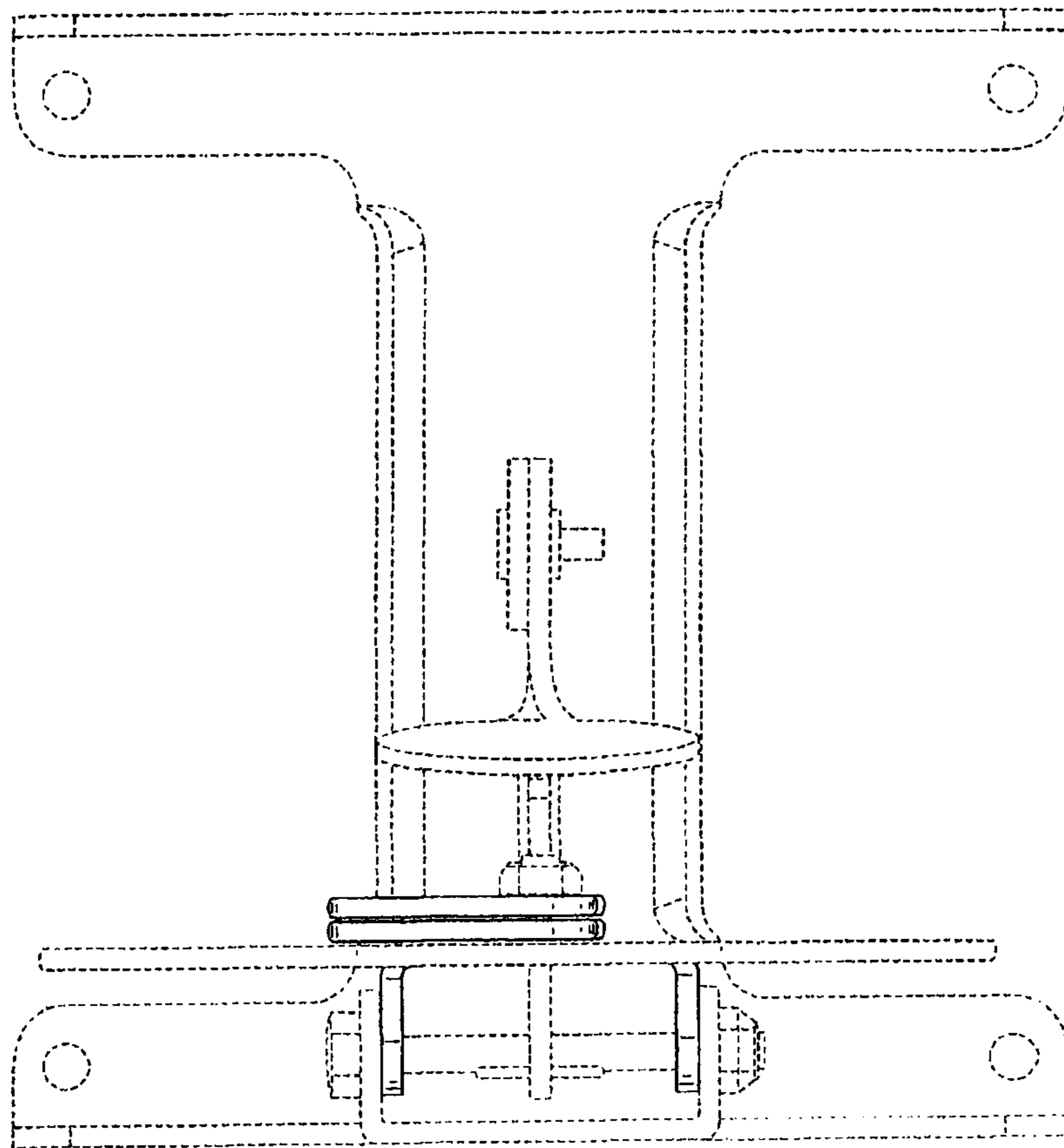


FIG. 31

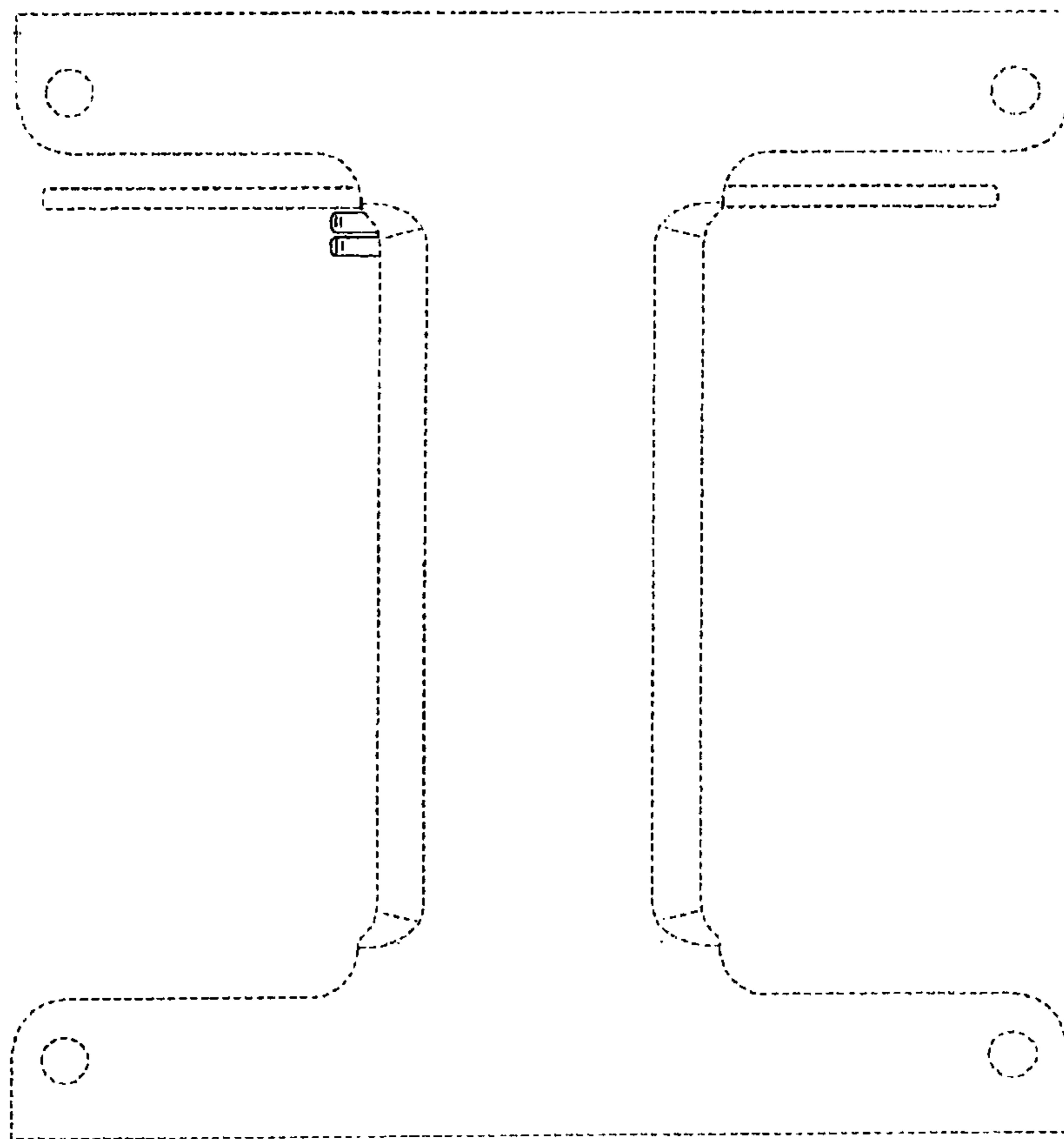


FIG. 32