



US00D750726S

(12) **United States Design Patent**
Cheng et al.

(10) **Patent No.:** **US D750,726 S**
(45) **Date of Patent:** **** Mar. 1, 2016**

(54) **COMBINATION LIGHT AND SCOPE FOR FIREARM**

F41G 11/004; F41G 11/005
See application file for complete search history.

(71) Applicants: **Carson Cheng**, City of Industry, CA (US); **Richard Thomas**, City of Industry, CA (US); **Jason Michael Cheng**, City of Industry, CA (US)

(56) **References Cited**

U.S. PATENT DOCUMENTS

7,576,516 B2 * 8/2009 Greenslade 320/110
D702,279 S * 4/2014 Zhan D16/239
D708,656 S * 7/2014 Shapir D16/239
2015/0138633 A1 * 5/2015 Theisinger et al. 359/399

* cited by examiner

Primary Examiner — Michael A Pratt

(72) Inventors: **Carson Cheng**, City of Industry, CA (US); **Richard Thomas**, City of Industry, CA (US); **Jason Michael Cheng**, City of Industry, CA (US)

(74) *Attorney, Agent, or Firm* — Raymond Y. Chan; David and Raymond Patent Firm

(73) Assignee: **NcStar Inc.**, City of Industry, CA (US)

(**) Term: **14 Years**

(57) **CLAIM**

The ornamental design for a combination light and scope for firearm, as shown and described.

(21) Appl. No.: **29/493,171**

DESCRIPTION

(22) Filed: **Jun. 5, 2014**

(51) **LOC (10) Cl.** **22-01**

(52) **U.S. Cl.**

USPC **D22/109**

(58) **Field of Classification Search**

USPC D22/108–109; D16/130, 132–134, 330; 359/399, 823, 744; 42/111, 133, 119, 42/122

CPC F41G 1/00; F41G 1/01; F41G 1/02; F41G 1/06; F41G 1/065; F41G 1/08; F41G 1/10; F41G 1/12; F41G 1/14; F41G 1/30; F41G 1/32; F41G 1/38; F41G 1/40; F41G 1/42; F41G 1/44; F41G 1/46; F41G 1/383; F41G 1/387; F41G 1/393; F41G 3/00; F41G 3/005; F41G 3/02; F41G 3/04; F41G 3/06; F41G 3/14; F41G 11/002; F41G 11/003;

FIG. 1 is a perspective view of combination light and scope for firearm showing my new design.

FIG. 2 is a left view thereof.

FIG. 3 is a right view thereof.

FIG. 4 is a rear view thereof.

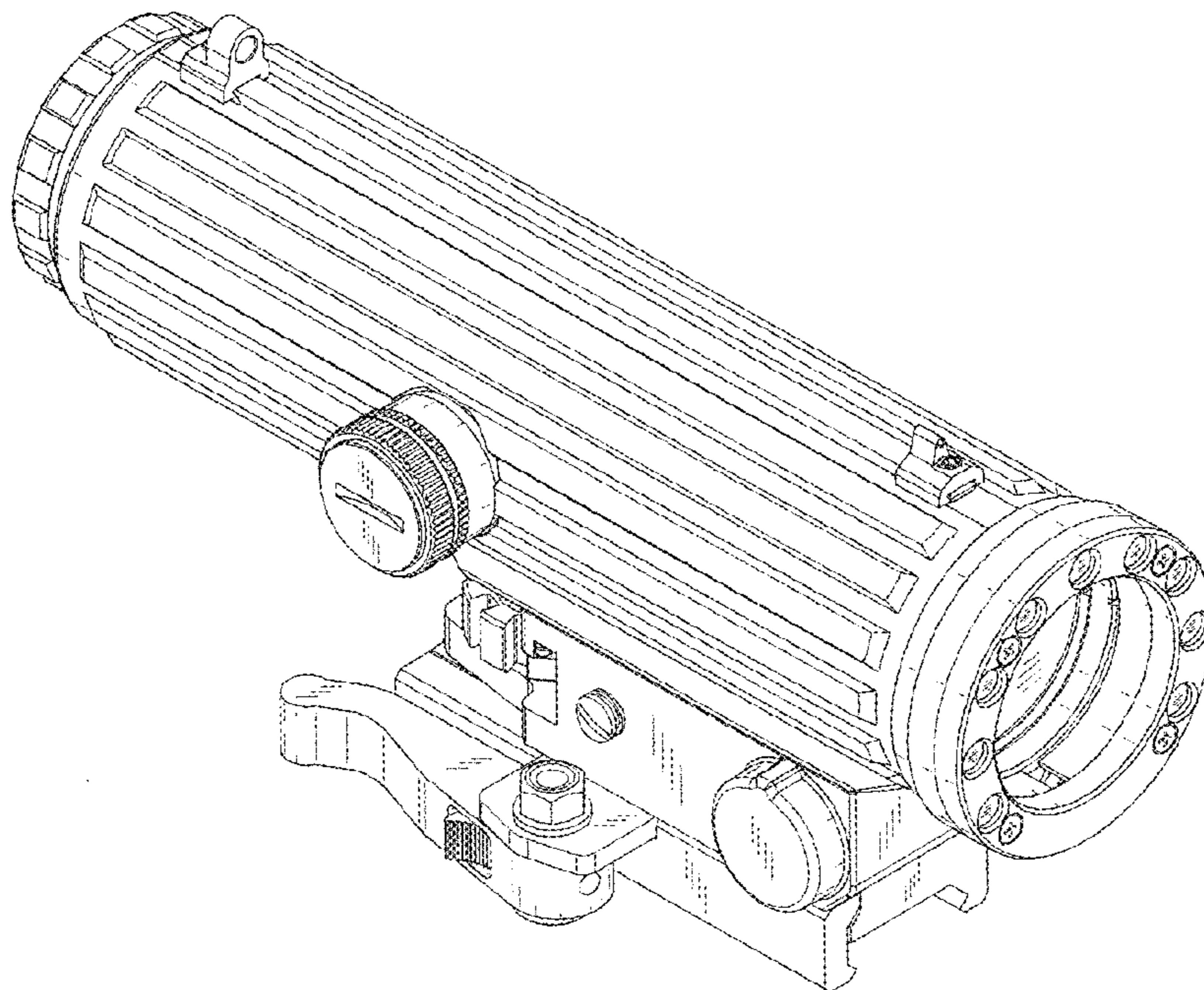
FIG. 5 is a front view thereof.

FIG. 6 is a top view thereof.

FIG. 7 is a bottom view thereof; and,

FIG. 8 is a perspective view of the combination light and scope for firearm, illustrating the combination light and scope mounted on a firearm, wherein the broken line portion of the figure drawing is included to show unclaimed subject matter only and forms no part of the claimed design.

1 Claim, 8 Drawing Sheets



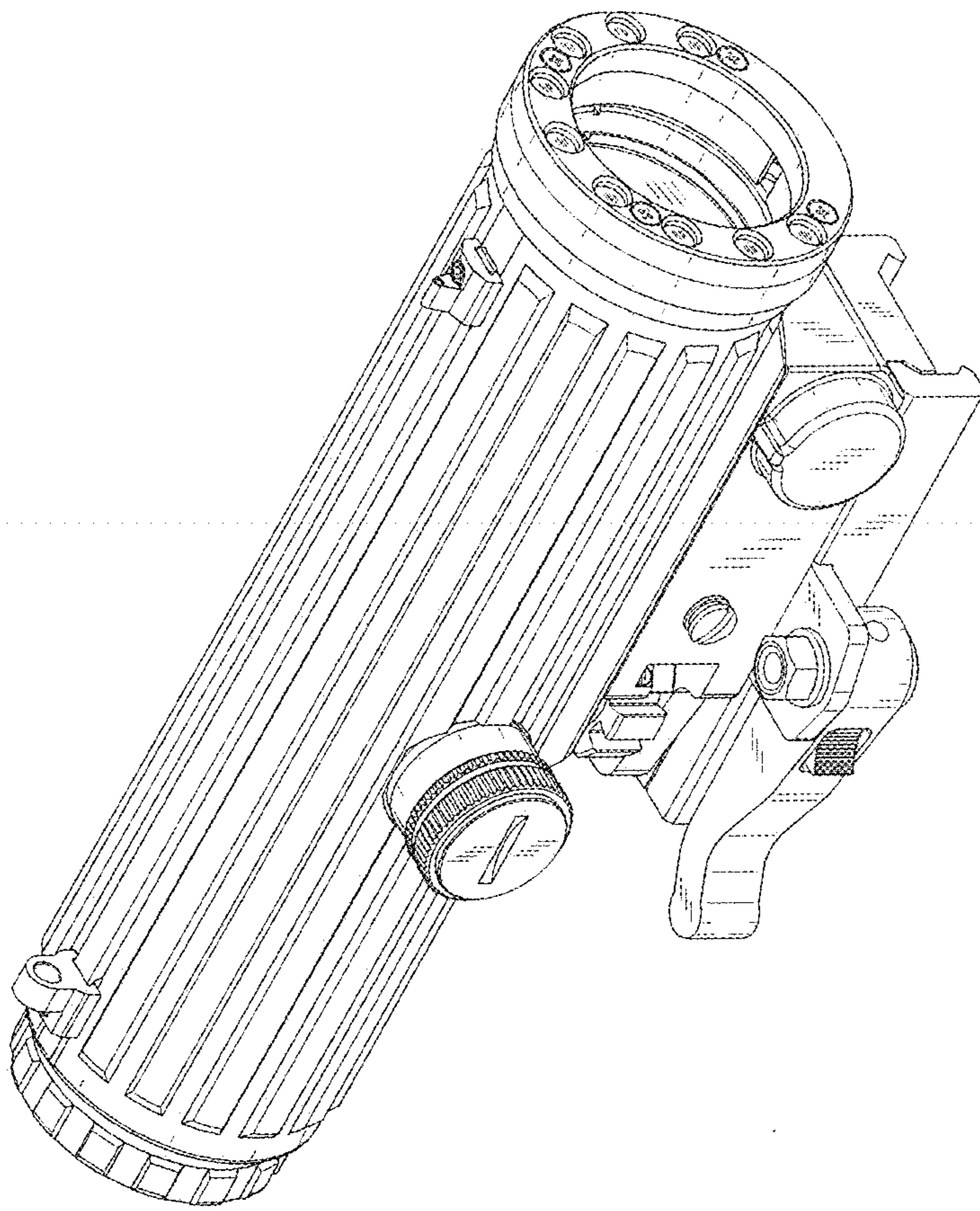


FIG.1

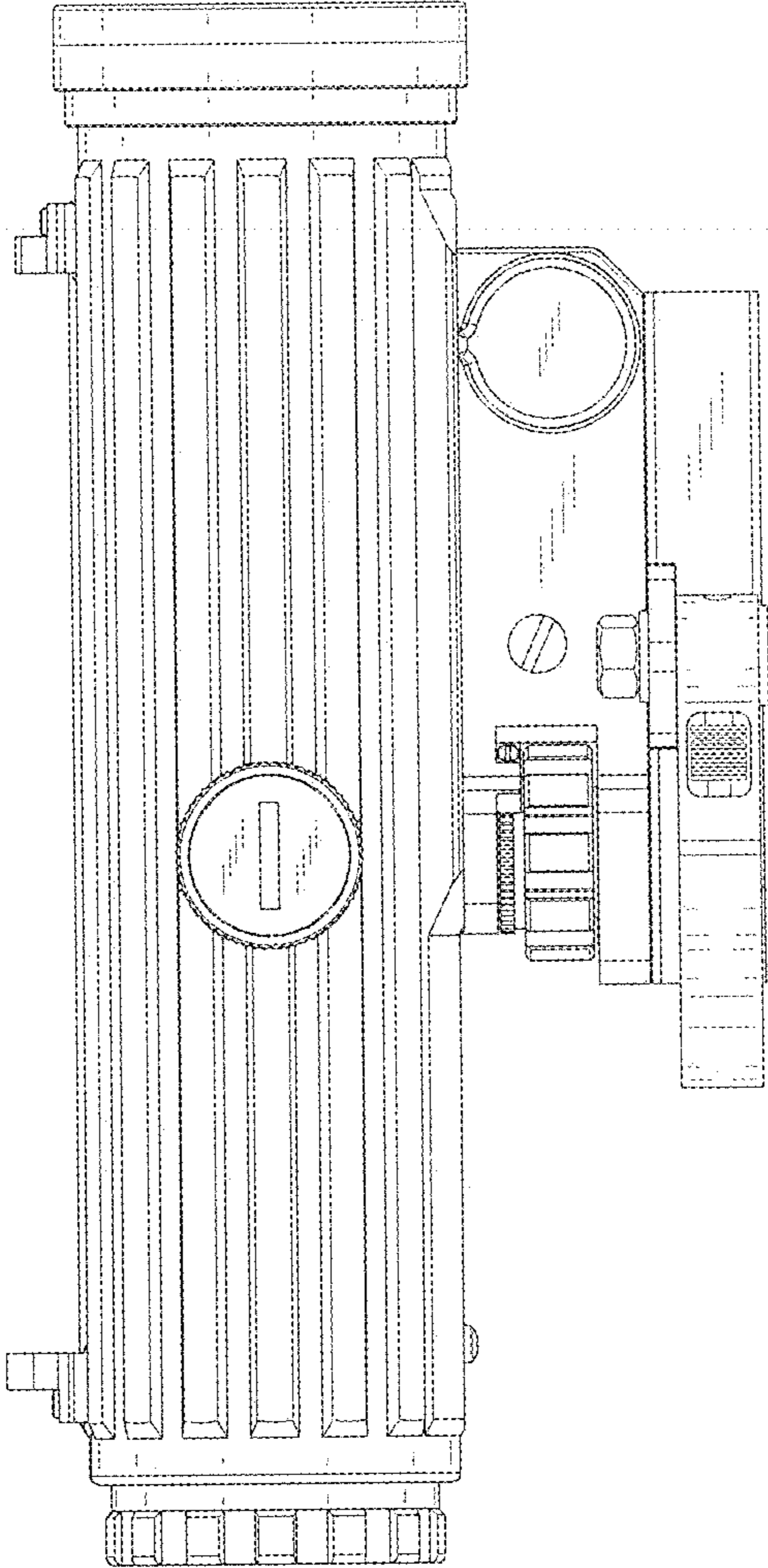


FIG.2

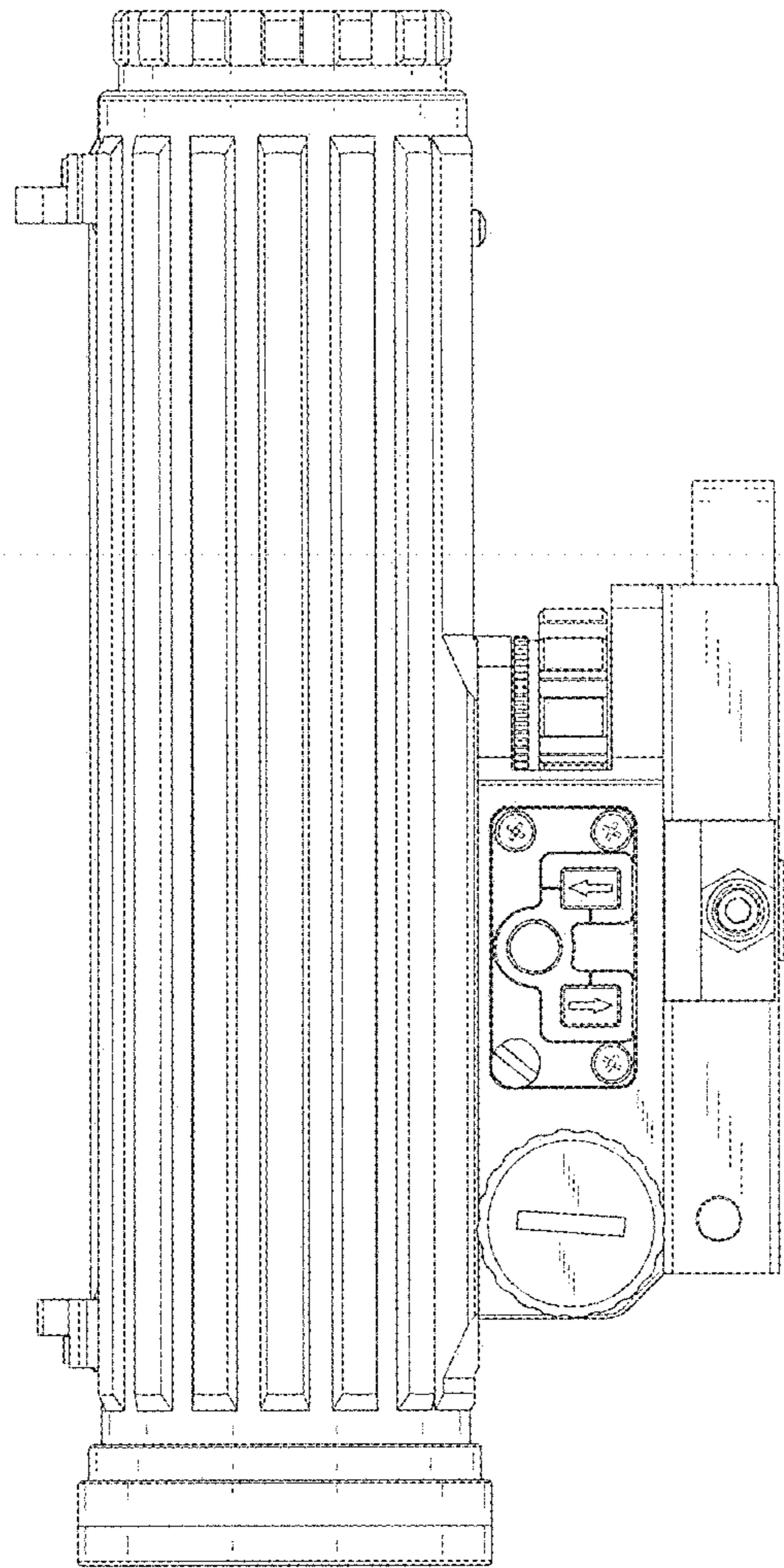


FIG. 3

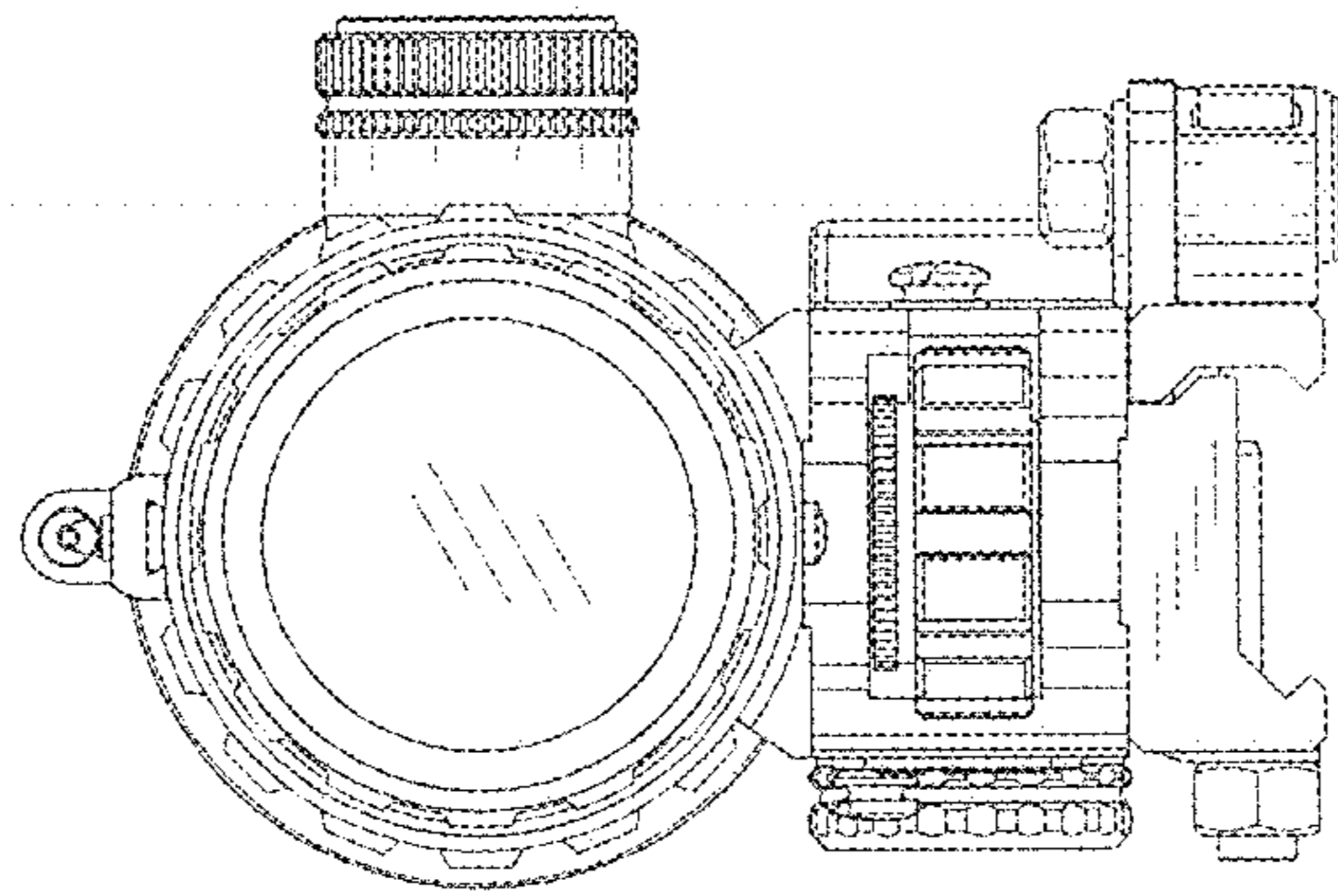


FIG.4

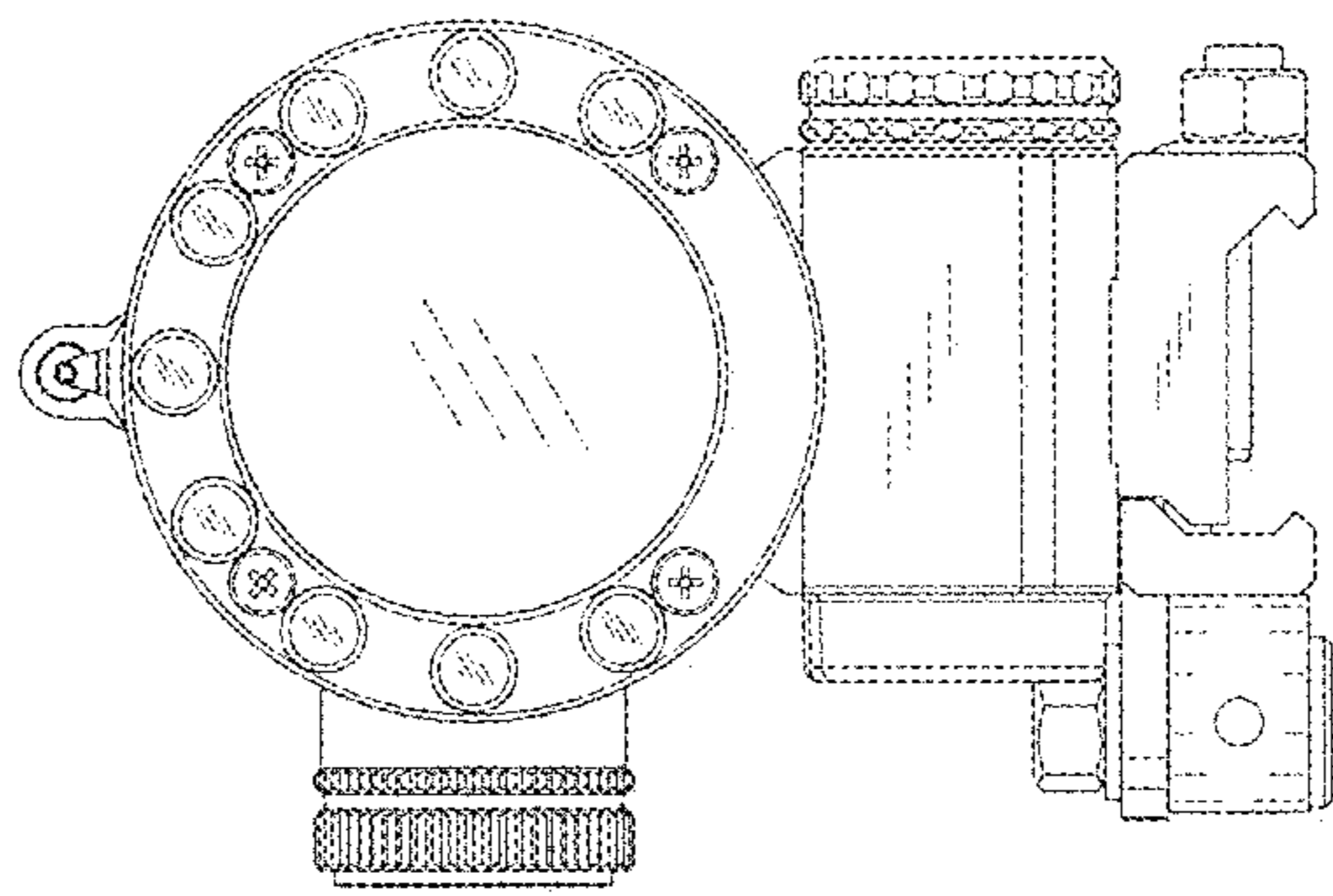


FIG. 5

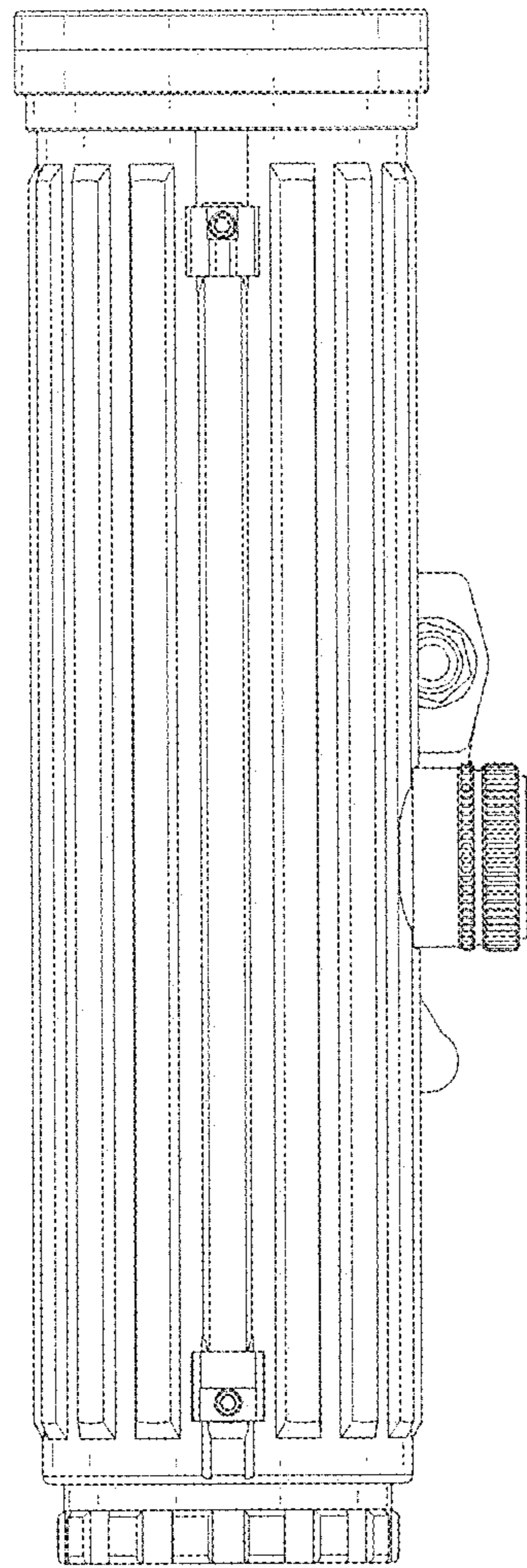


FIG. 6

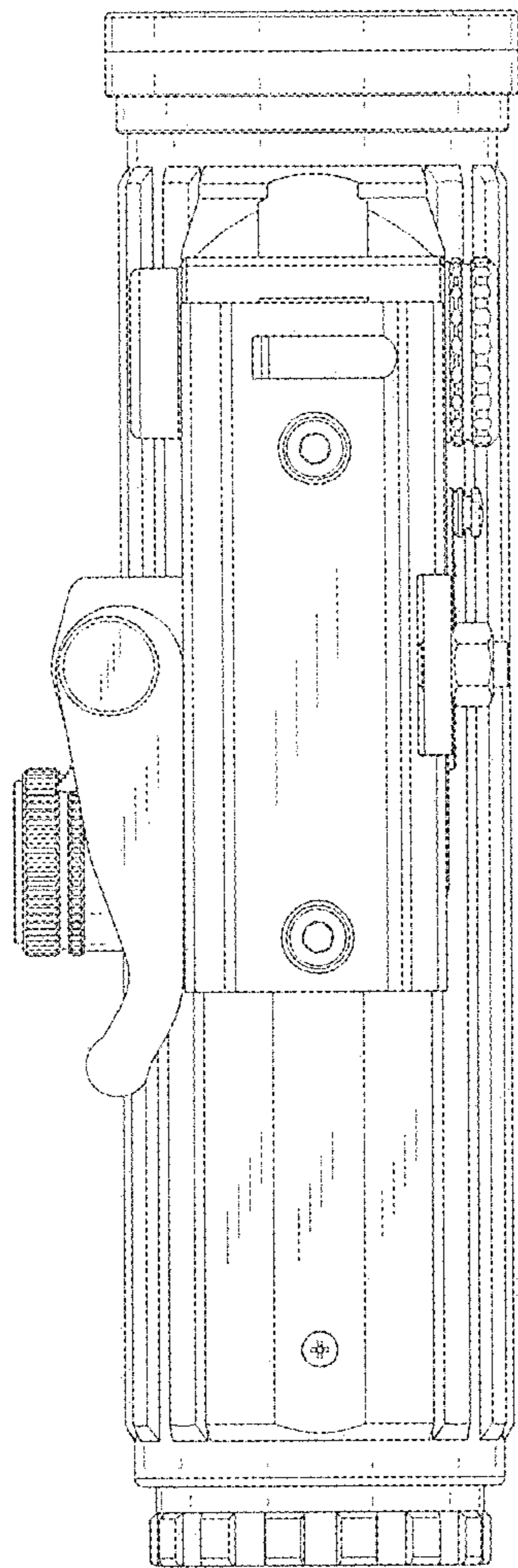


FIG. 7

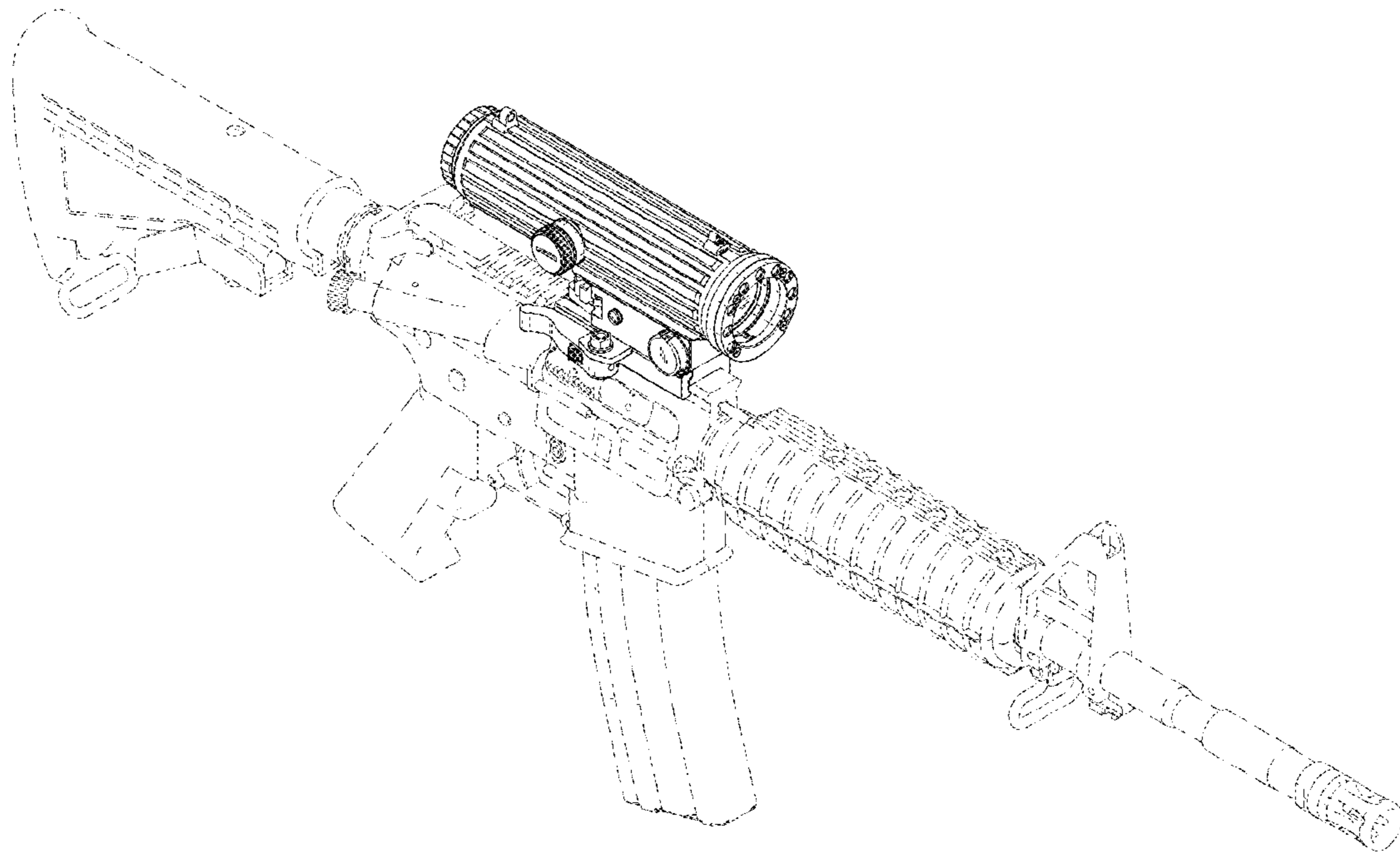


FIG. 8