



US00D750725S

(12) **United States Design Patent**  
**Capps et al.**

(10) **Patent No.:** **US D750,725 S**  
(45) **Date of Patent:** **\*\* Mar. 1, 2016**

(54) **FIREARM TRIGGER**

(71) Applicants: **John Capps**, Maricopa, AZ (US); **Frank DeSomma**, Glendale, AZ (US)

(72) Inventors: **John Capps**, Maricopa, AZ (US); **Frank DeSomma**, Glendale, AZ (US)

(\*\*) Term: **14 Years**

(21) Appl. No.: **29/502,433**

(22) Filed: **Sep. 16, 2014**

**Related U.S. Application Data**

(63) Continuation of application No. 29/449,556, filed on Mar. 15, 2013, now Pat. No. Des. 716,404.

(51) **LOC (10) Cl.** ..... **22-01**

(52) **U.S. Cl.**  
USPC ..... **D22/108**

(58) **Field of Classification Search**  
USPC ..... D22/103–104, 108  
CPC ..... F41A 19/10; F41A 19/12; F41A 19/44;  
F41A 19/31

See application file for complete search history.

(56) **References Cited**

**U.S. PATENT DOCUMENTS**

4,937,964 A 7/1990 Crandall  
D399,914 S \* 10/1998 Walker ..... D21/572

(Continued)

**OTHER PUBLICATIONS**

Final Office Action dated Jul. 16, 2015 in U.S. Appl. No. 14/216,733.

(Continued)

*Primary Examiner* — Michael A Pratt

(74) *Attorney, Agent, or Firm* — Snell & Wilmer L.L.P.

(57) **CLAIM**

The ornamental design for the firearm trigger, as shown and described.

**DESCRIPTION**

FIG. 1 is a first perspective view depicting an embodiment of a new design for a firearm trigger;

FIG. 2 is a second perspective view depicting an embodiment of a new design for a firearm trigger;

FIG. 3 is a side view depicting an embodiment of a new design for a firearm trigger;

FIG. 4 is a side view depicting an embodiment of a new design for a firearm trigger;

FIG. 5 is a front view depicting an embodiment of a new design for a firearm trigger;

FIG. 6 is a rear view depicting an embodiment of a new design for a firearm trigger;

FIG. 7 is a bottom view depicting an embodiment of a new design for a firearm trigger;

FIG. 8 is a top view depicting an embodiment of a new design for a firearm trigger;

FIG. 9 is a side view depicting an embodiment of a new design of a firearm trigger installed in an exemplary firearm;

FIG. 10 is a first perspective view depicting an embodiment of a new design for a firearm trigger;

FIG. 11 is a second perspective view depicting an embodiment of a new design for a firearm trigger;

FIG. 12 is a side view depicting an embodiment of a new design for a firearm trigger;

FIG. 13 is a side view depicting an embodiment of a new design for a firearm trigger;

FIG. 14 is a front view depicting an embodiment of a new design for a firearm trigger;

FIG. 15 is a rear view depicting an embodiment of a new design for a firearm trigger;

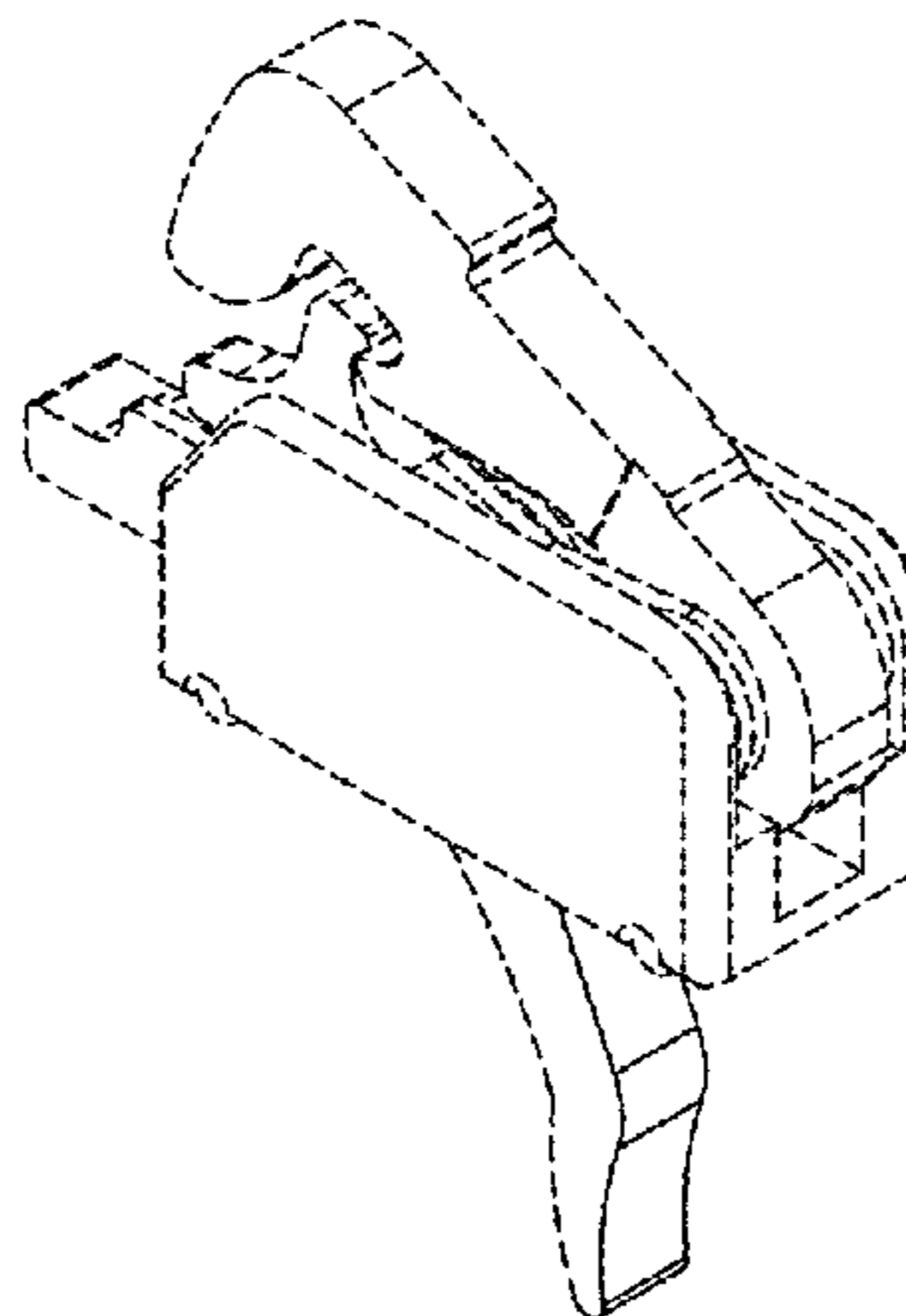
FIG. 16 is a bottom view depicting an embodiment of a new design for a firearm trigger;

FIG. 17 is a top view depicting an embodiment of a new design for a firearm trigger; and,

FIG. 18 is a side view depicting an embodiment of a new design of a firearm trigger installed in an exemplary firearm.

The portion shown in broken line is for illustrative purposes only and forms no part of the claim design.

**1 Claim, 10 Drawing Sheets**



(56)

**References Cited**

U.S. PATENT DOCUMENTS

D447,791 S 9/2001 Robidoux  
6,345,460 B2 2/2002 Hashman  
D462,105 S 8/2002 Myers  
6,722,072 B1 4/2004 McCormick et al.  
D504,168 S 4/2005 McCormick  
7,421,937 B1 \* 9/2008 Gangl ..... F41A 17/46  
42/69.03  
D593,617 S 6/2009 Dochterman

7,600,338 B2 10/2009 Geissele  
D624,609 S 9/2010 Stein et al.  
2007/0051236 A1 3/2007 Groves et al.

OTHER PUBLICATIONS

Notice of Allowance dated Jul. 7, 2014 in U.S. Appl. No. 29/449,556.  
Restriction Requirement dated Apr. 24, 2014 in U.S. Appl. No. 29/449,556.  
Office Action dated Jan. 29, 2015 in U.S. Appl. No. 14/216,733.

\* cited by examiner

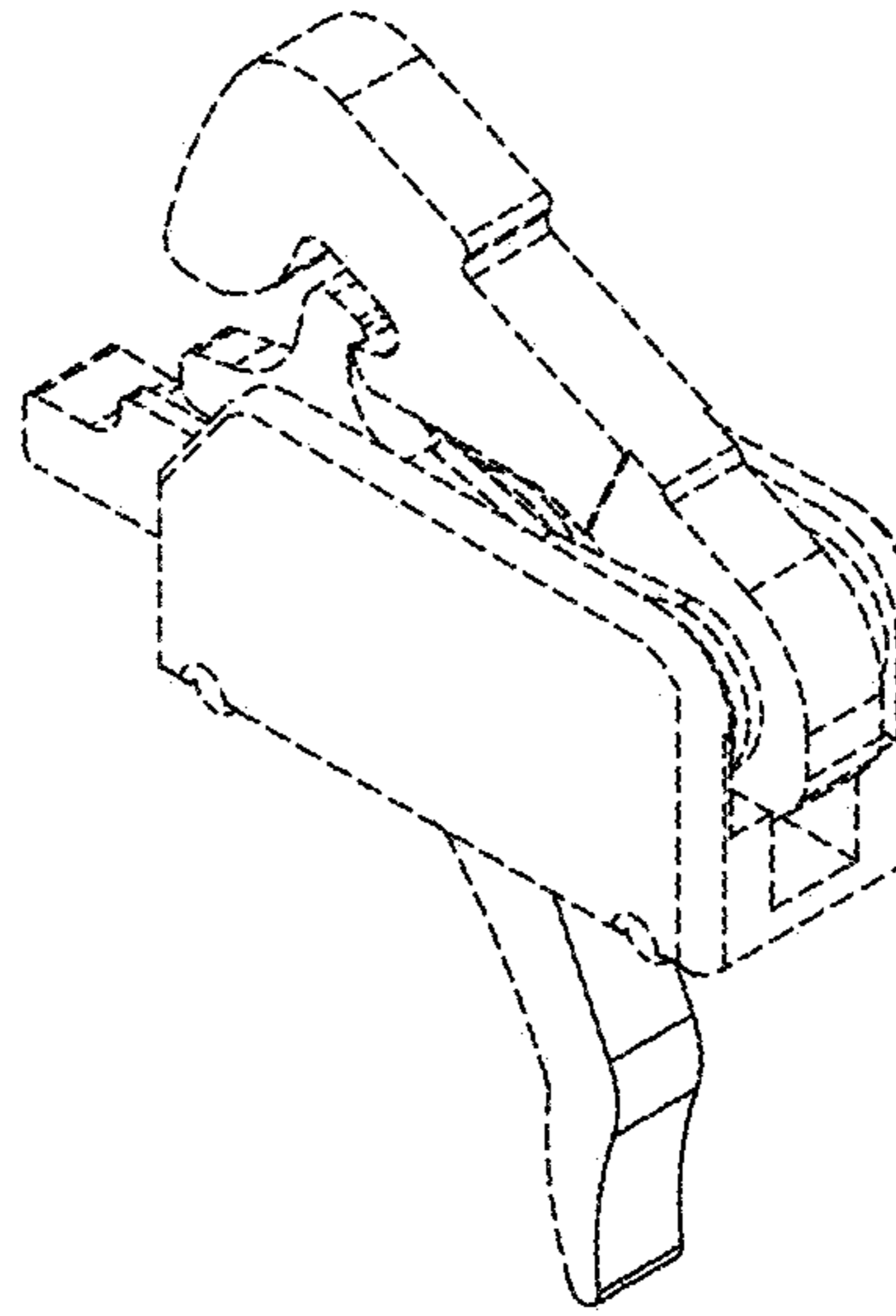


Fig. 1

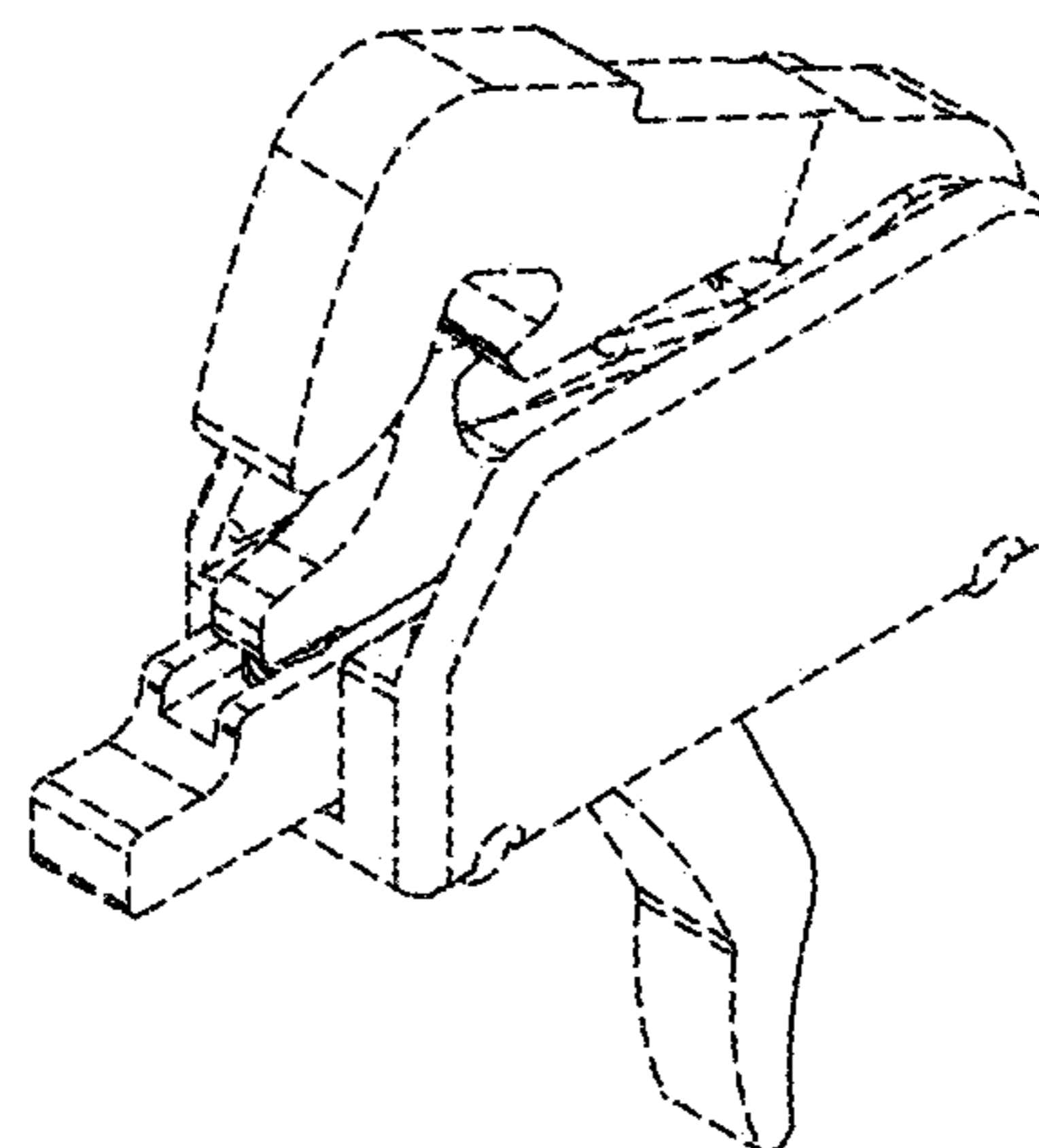


Fig. 2

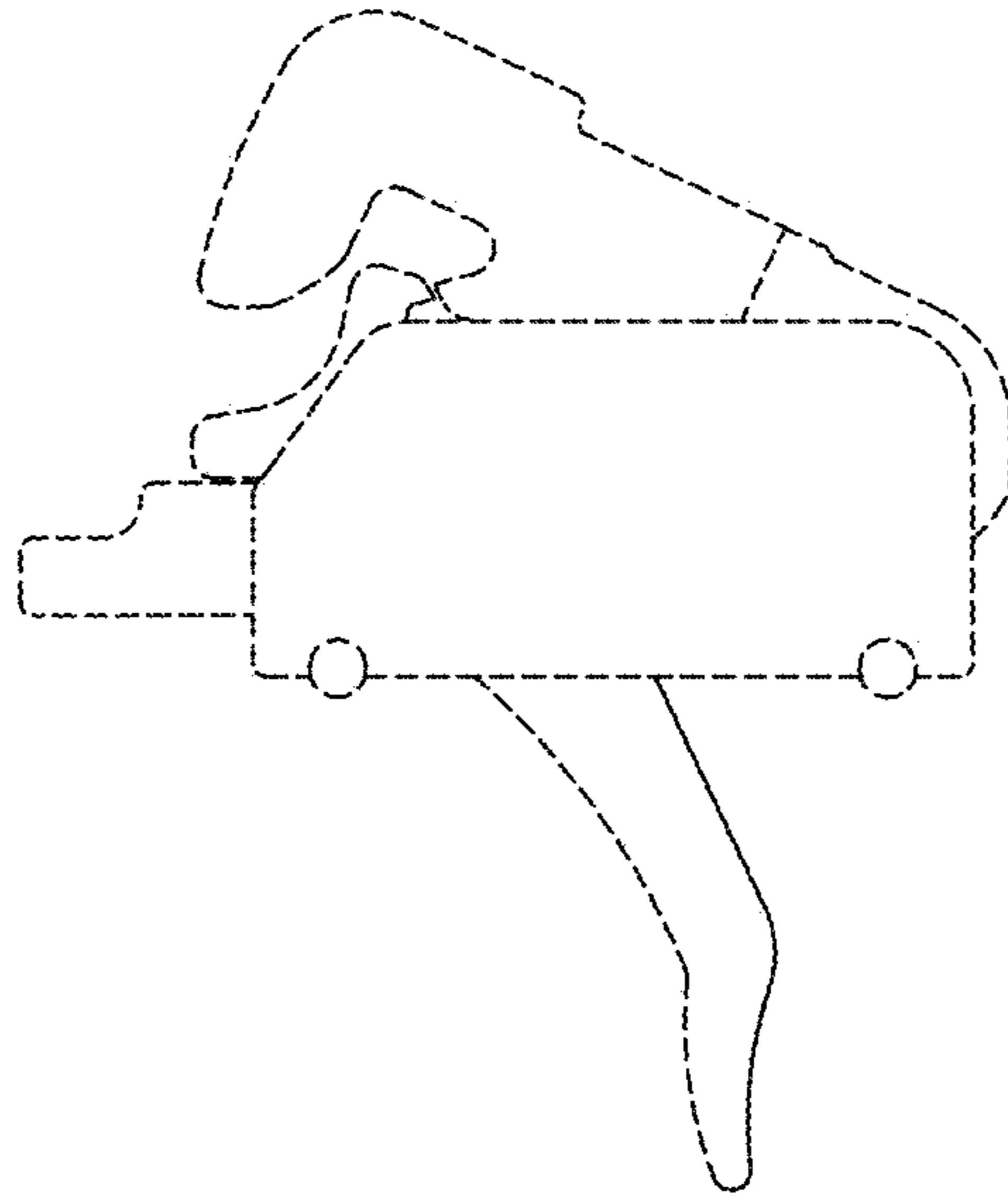


Fig. 3

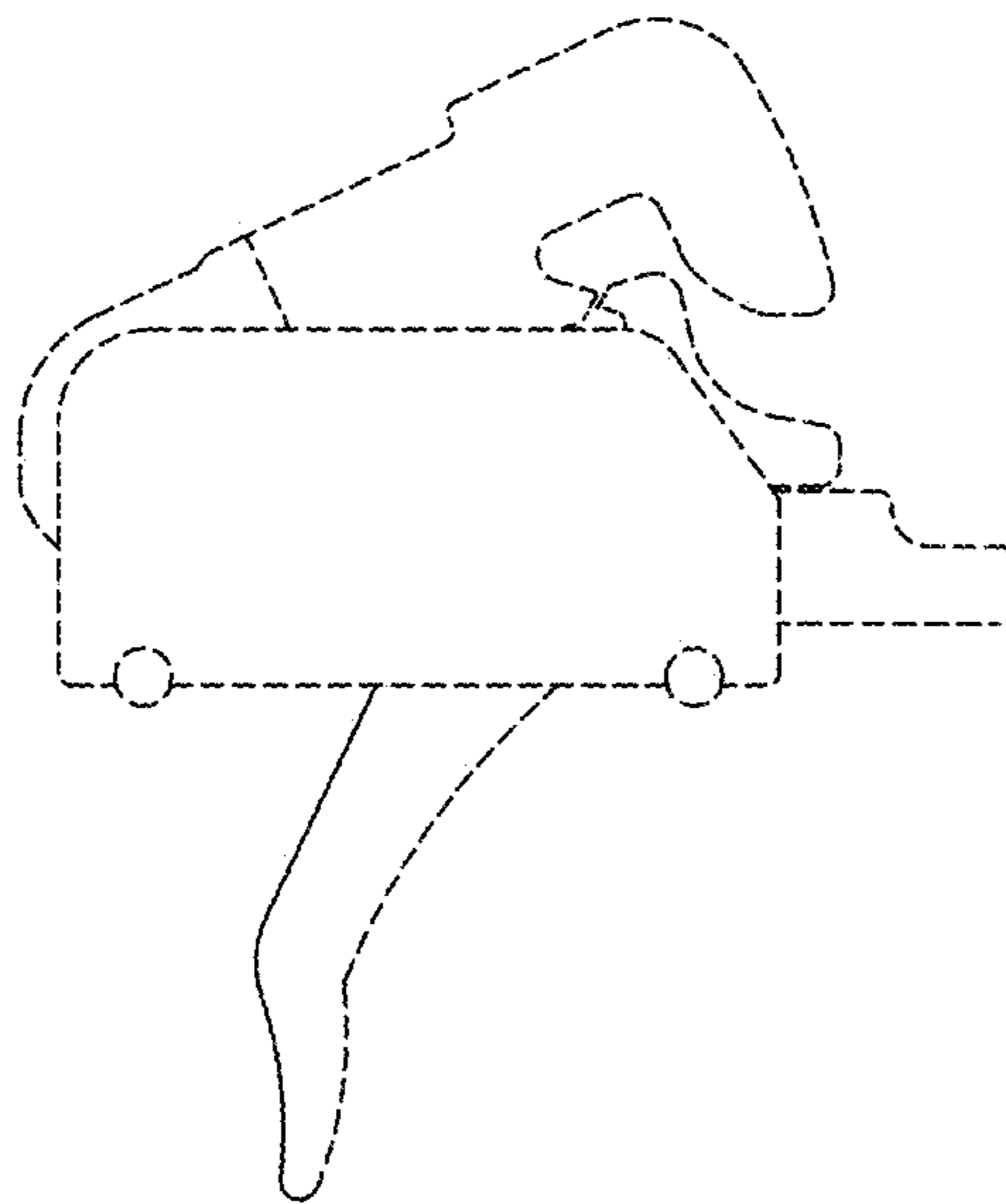


Fig. 4

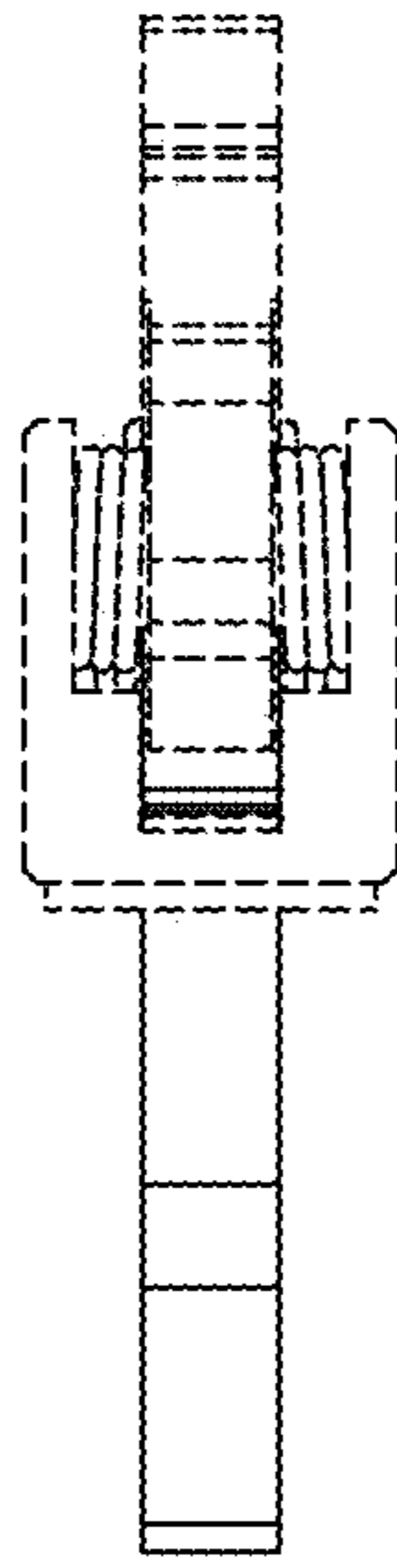


Fig. 5

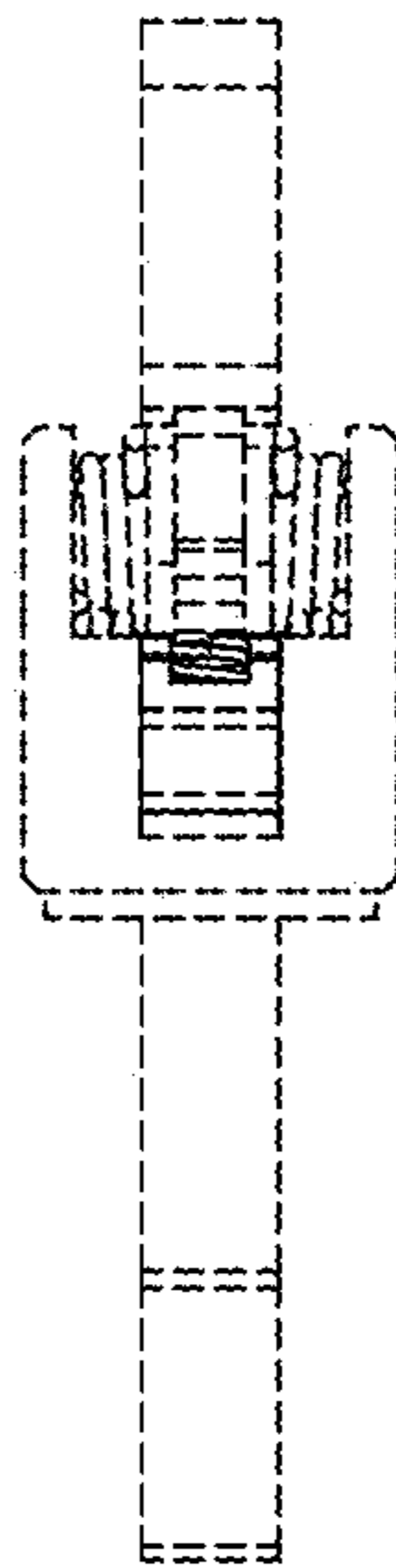


Fig. 6

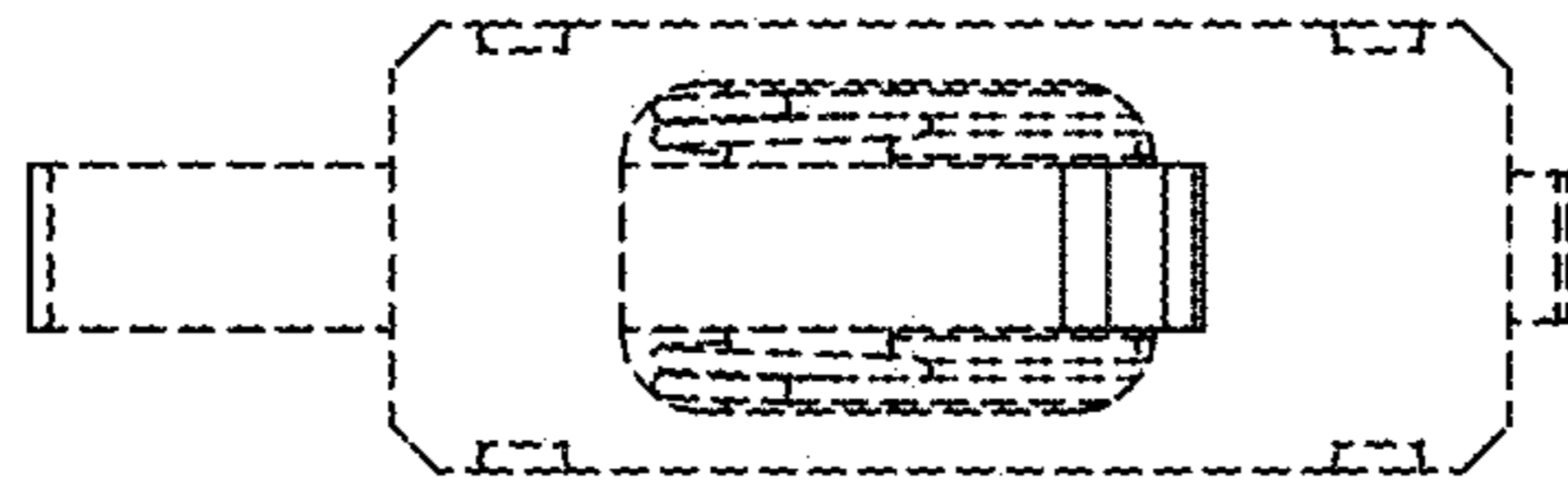


Fig. 7

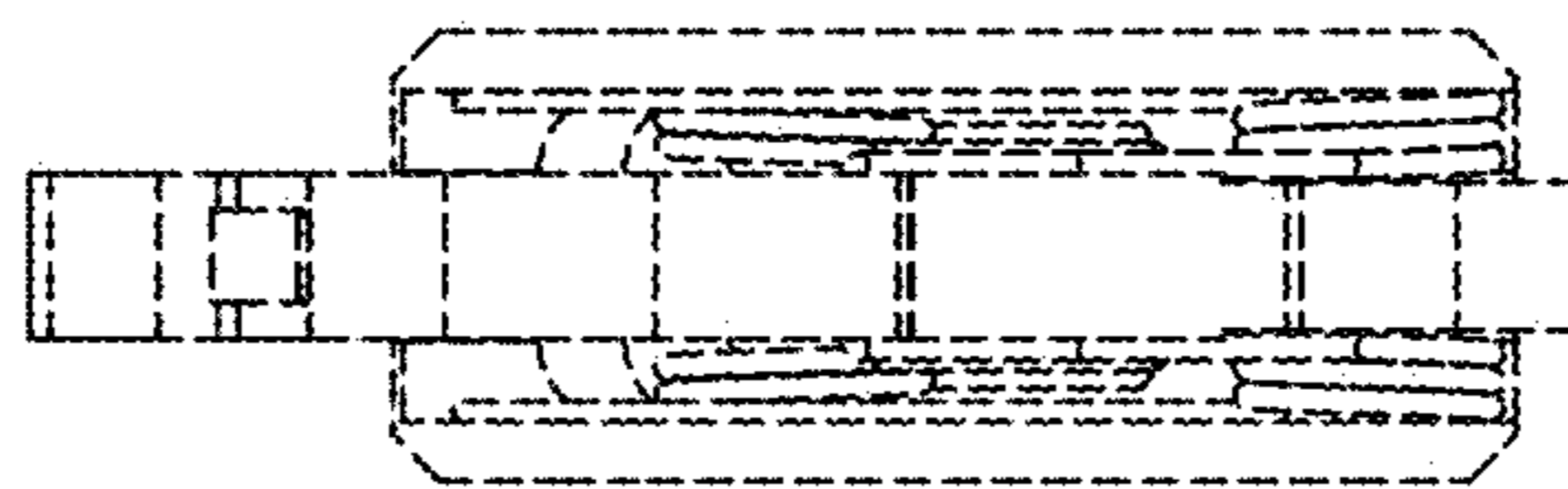


Fig. 8

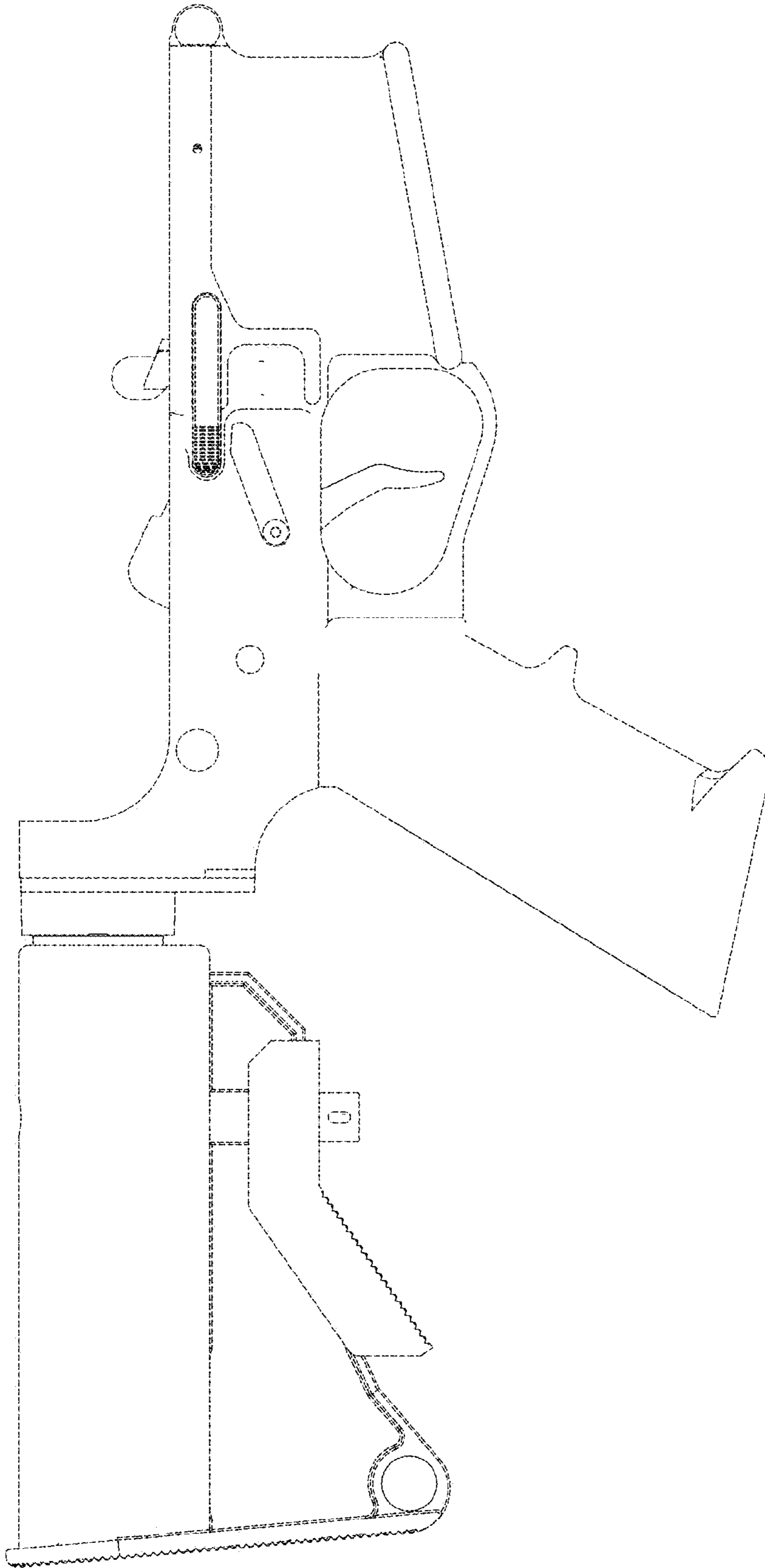


Fig. 9

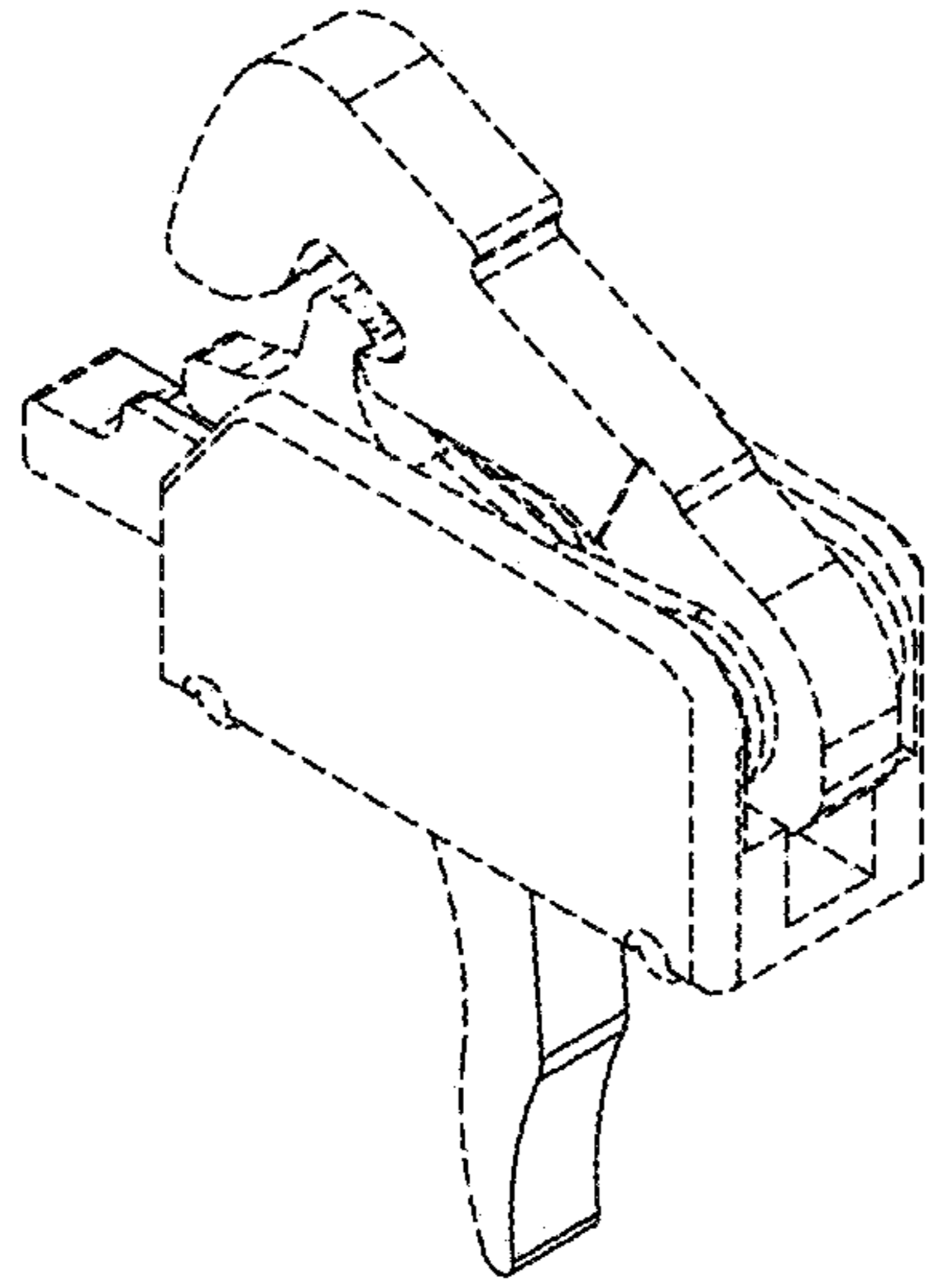


Fig. 10

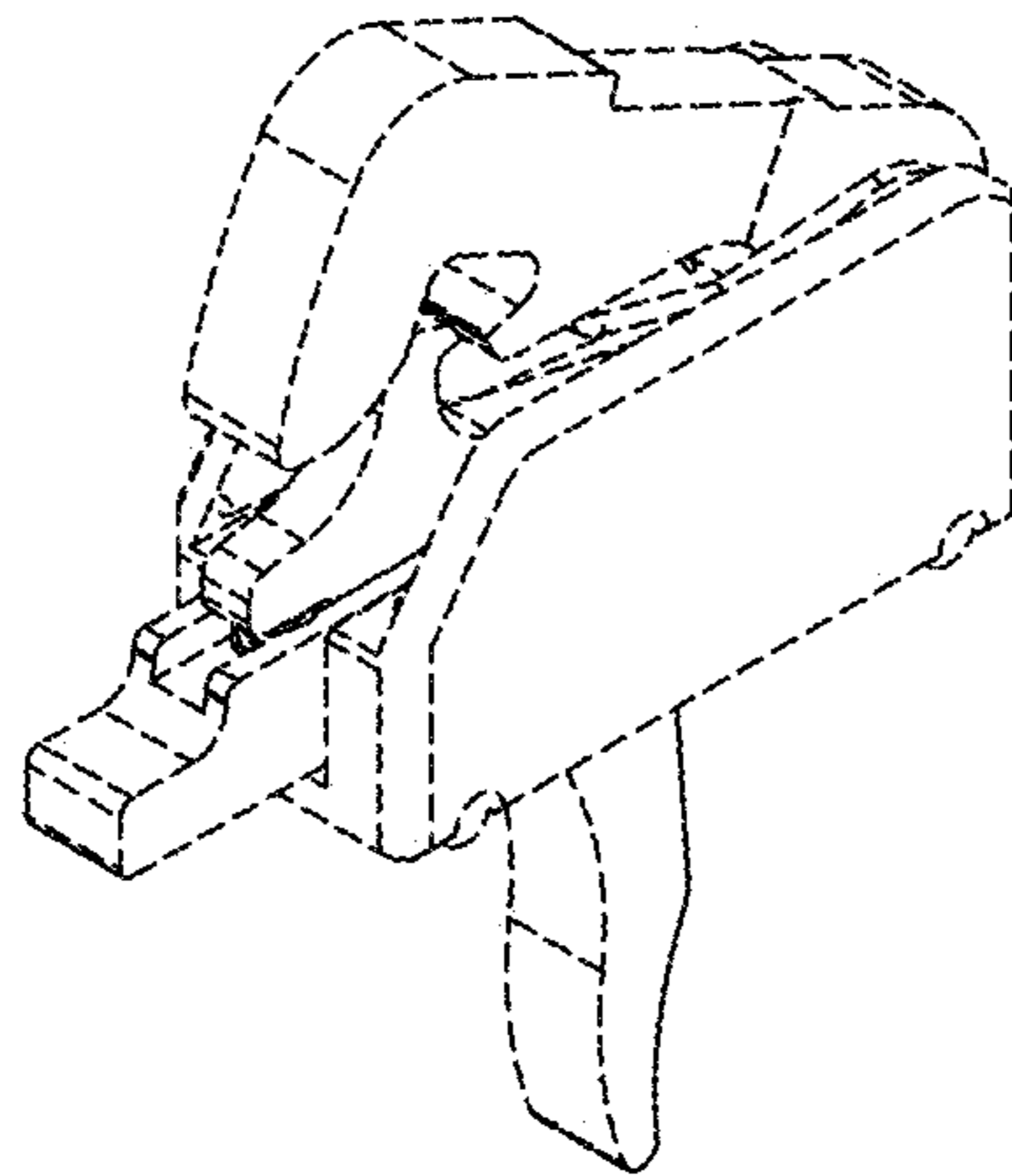


Fig. 11



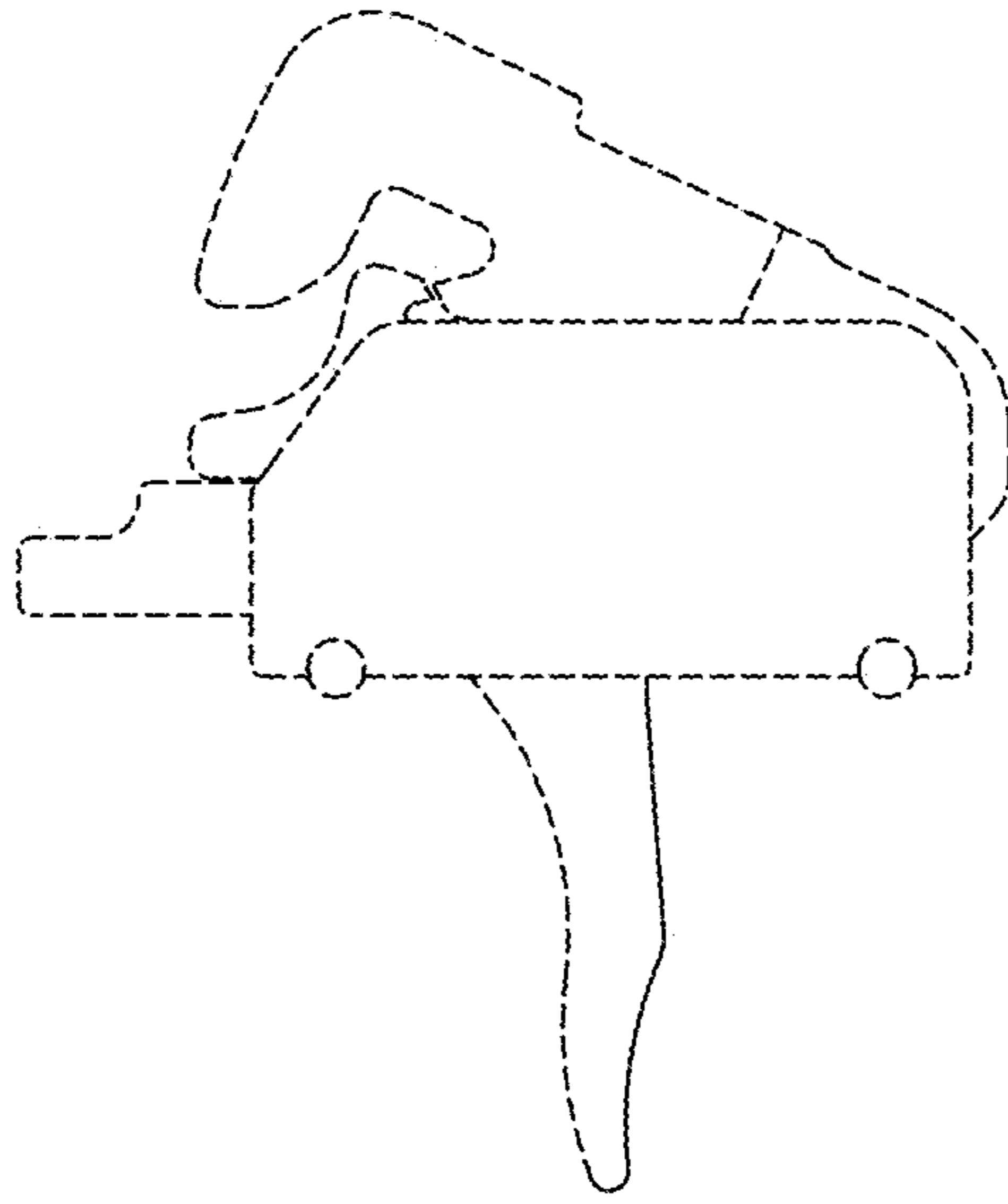


Fig. 12

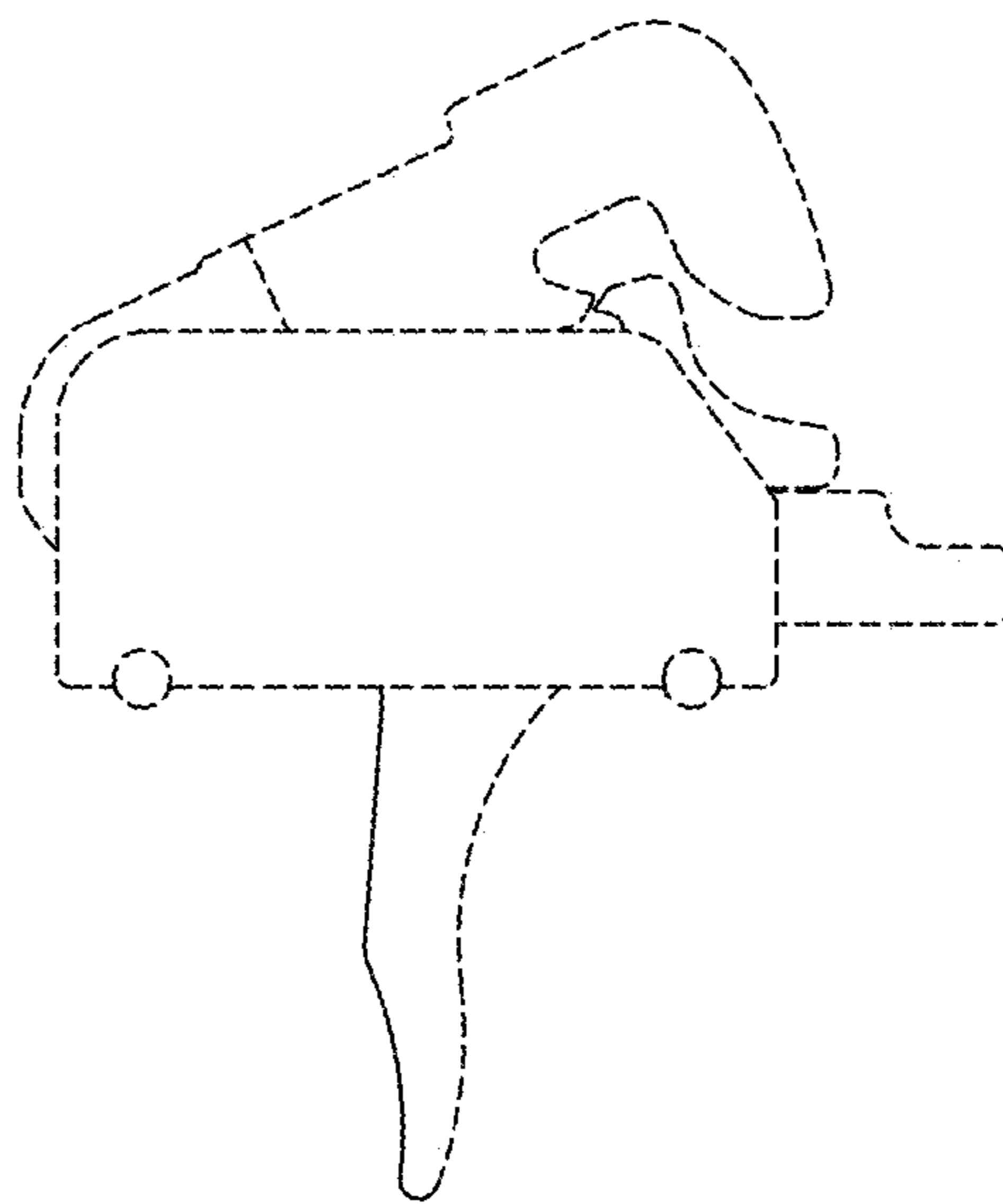


Fig. 13

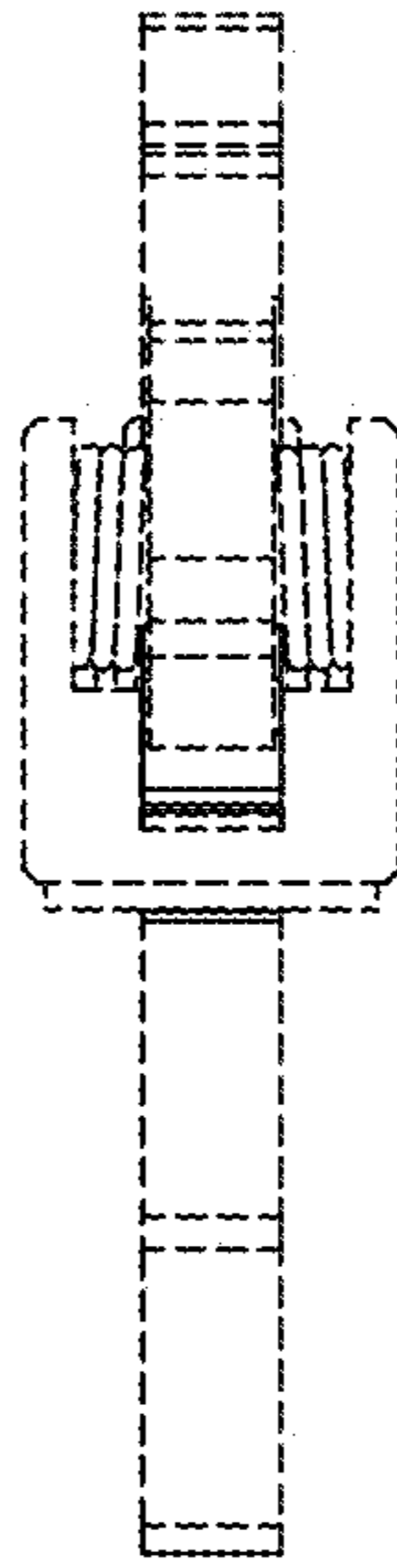


Fig. 14

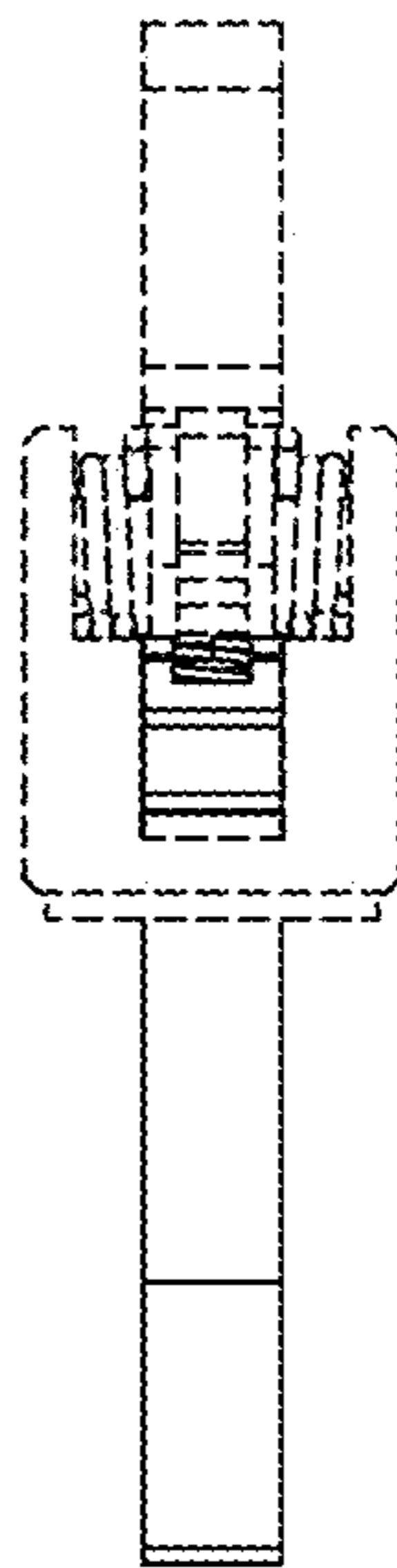


Fig. 15

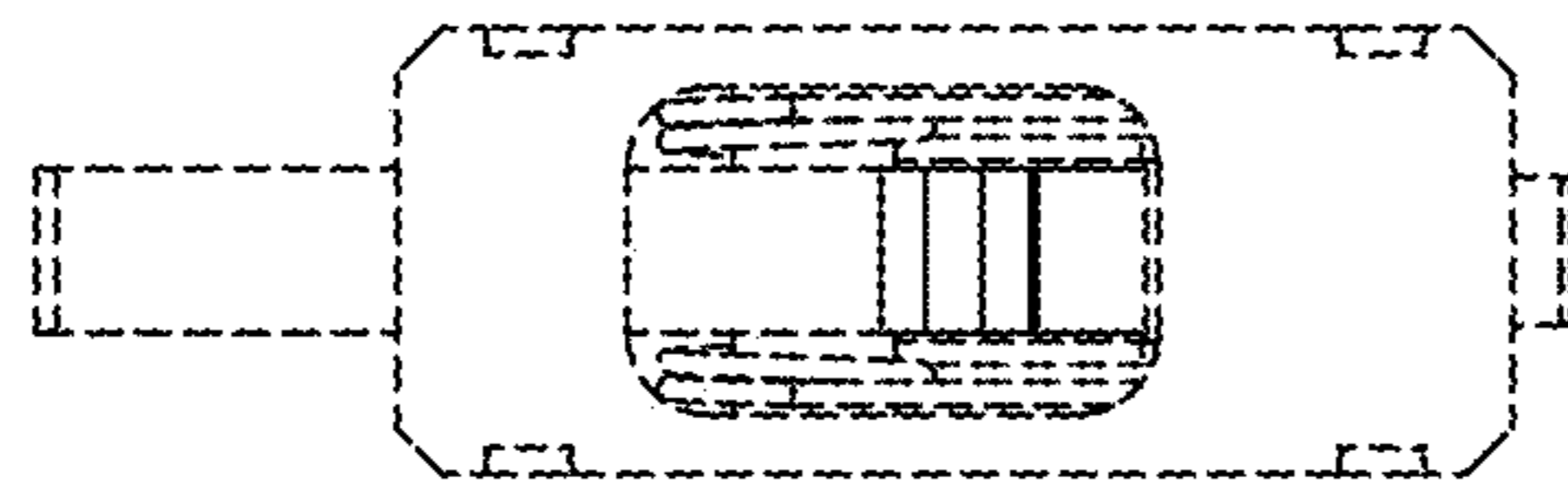


Fig. 16

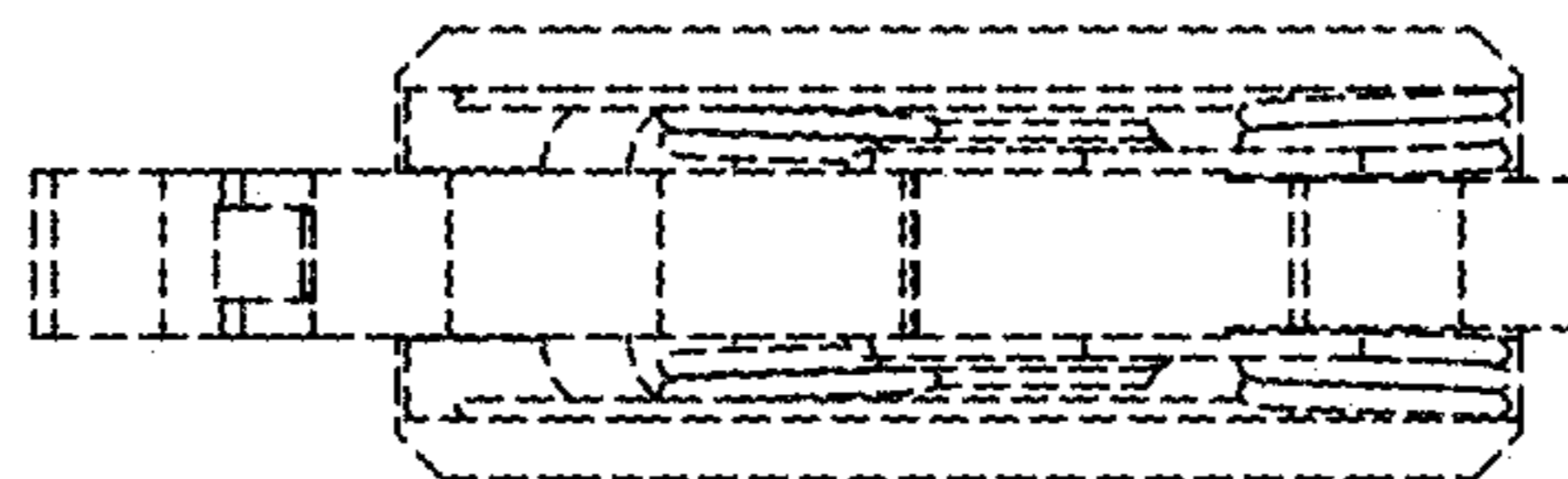


Fig. 17

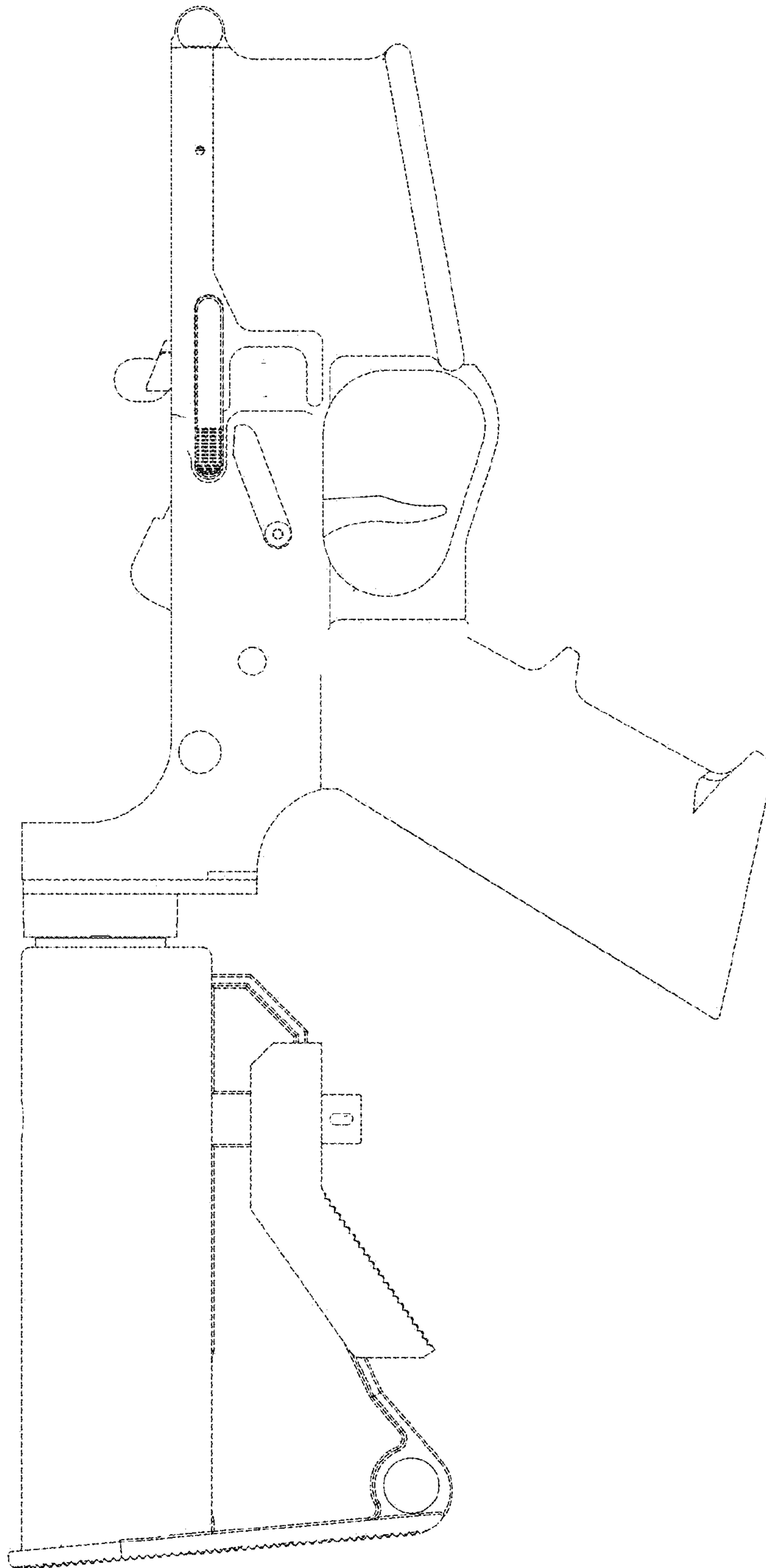


Fig. 18