



US00D750724S

(12) **United States Design Patent**
Hahin

(10) **Patent No.:** **US D750,724 S**
(45) **Date of Patent:** **** Mar. 1, 2016**

(54) **PRIMER CATCHER**

(71) Applicant: **Robert G. Hahin**, Berkeley, CA (US)

(72) Inventor: **Robert G. Hahin**, Berkeley, CA (US)

(**) Term: **14 Years**

(21) Appl. No.: **29/474,004**

(22) Filed: **Apr. 28, 2014**

(51) **LOC (10) Cl.** **22-01**

(52) **U.S. Cl.**
USPC **D22/108**

(58) **Field of Classification Search**
USPC D22/108, 199
CPC F42B 30/02; F42B 5/02; F42B 5/26;
F42B 12/34; F42B 8/04; F42B 10/22; F42B
8/14; F41A 9/83; F41A 9/82; F41A 9/01;
F41A 9/09; F41A 9/86

See application file for complete search history.

(56) **References Cited**

U.S. PATENT DOCUMENTS

D230,629	S	*	3/1974	Camp et al.	D7/414
D309,966	S	*	8/1990	Bishop	D23/200
D340,467	S	*	10/1993	Pollak	D15/150
D340,731	S	*	10/1993	Pollak	D15/150
5,313,869	A	*	5/1994	Lee	F42B 33/004 86/25
D404,979	S	*	2/1999	Harman	D7/700
D415,662	S	*	10/1999	Schneider	D7/691
D496,216	S	*	9/2004	Morgan	D7/368
D632,144	S	*	2/2011	Weisenbach	D7/700
D687,080	S	*	7/2013	Carroll	D15/150
D703,010	S	*	4/2014	Meyer	D7/700
D704,384	S	*	5/2014	Worsley	D30/121
D711,490	S	*	8/2014	Hahin	D22/108

* cited by examiner

Primary Examiner — Michael A Pratt

(57) **CLAIM**
The ornamental design for a primer catcher, as shown.

DESCRIPTION

FIGS. 1-7 are perspective views of a primer catcher according to the present invention.

1 Claim, 7 Drawing Sheets

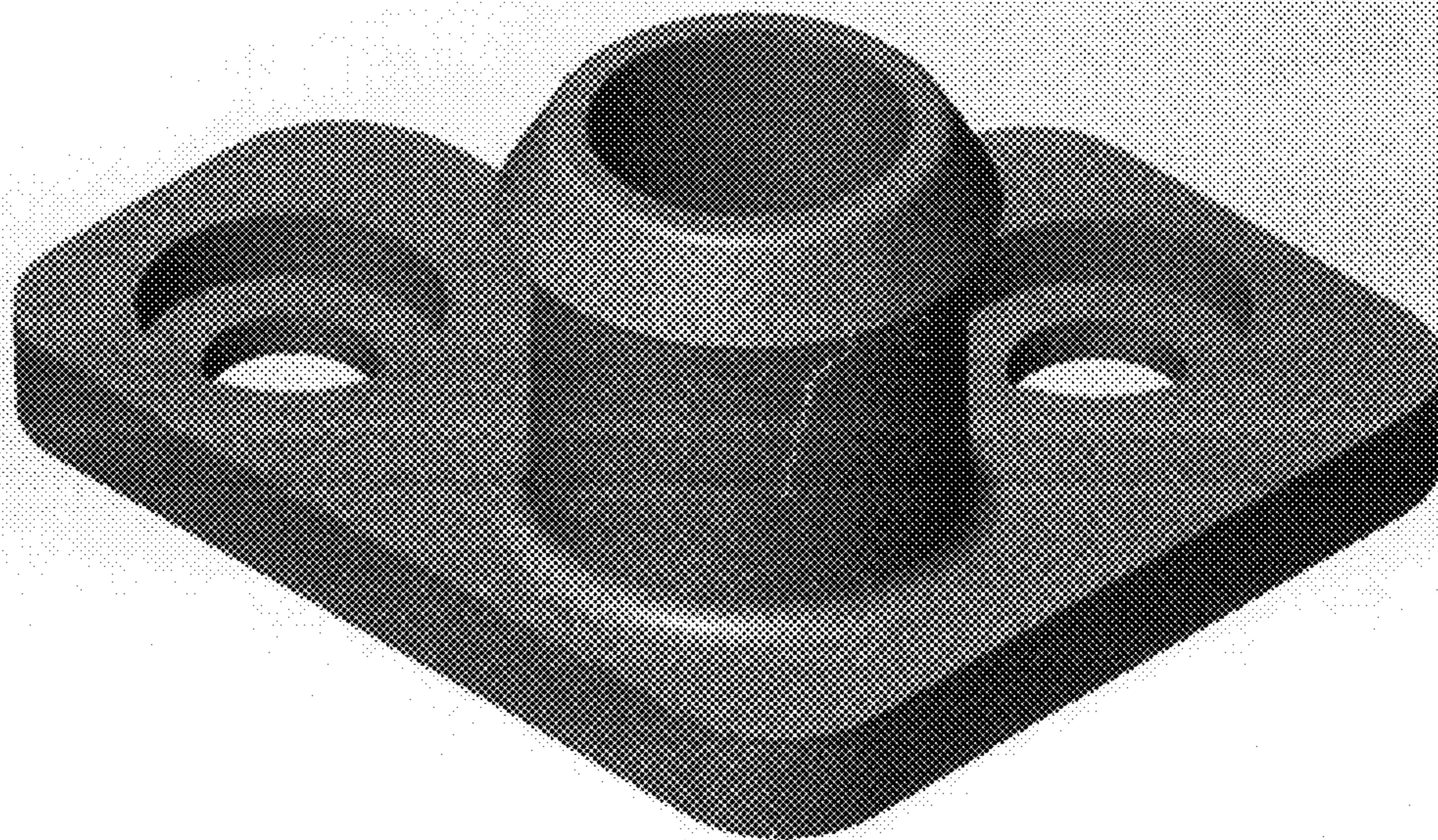
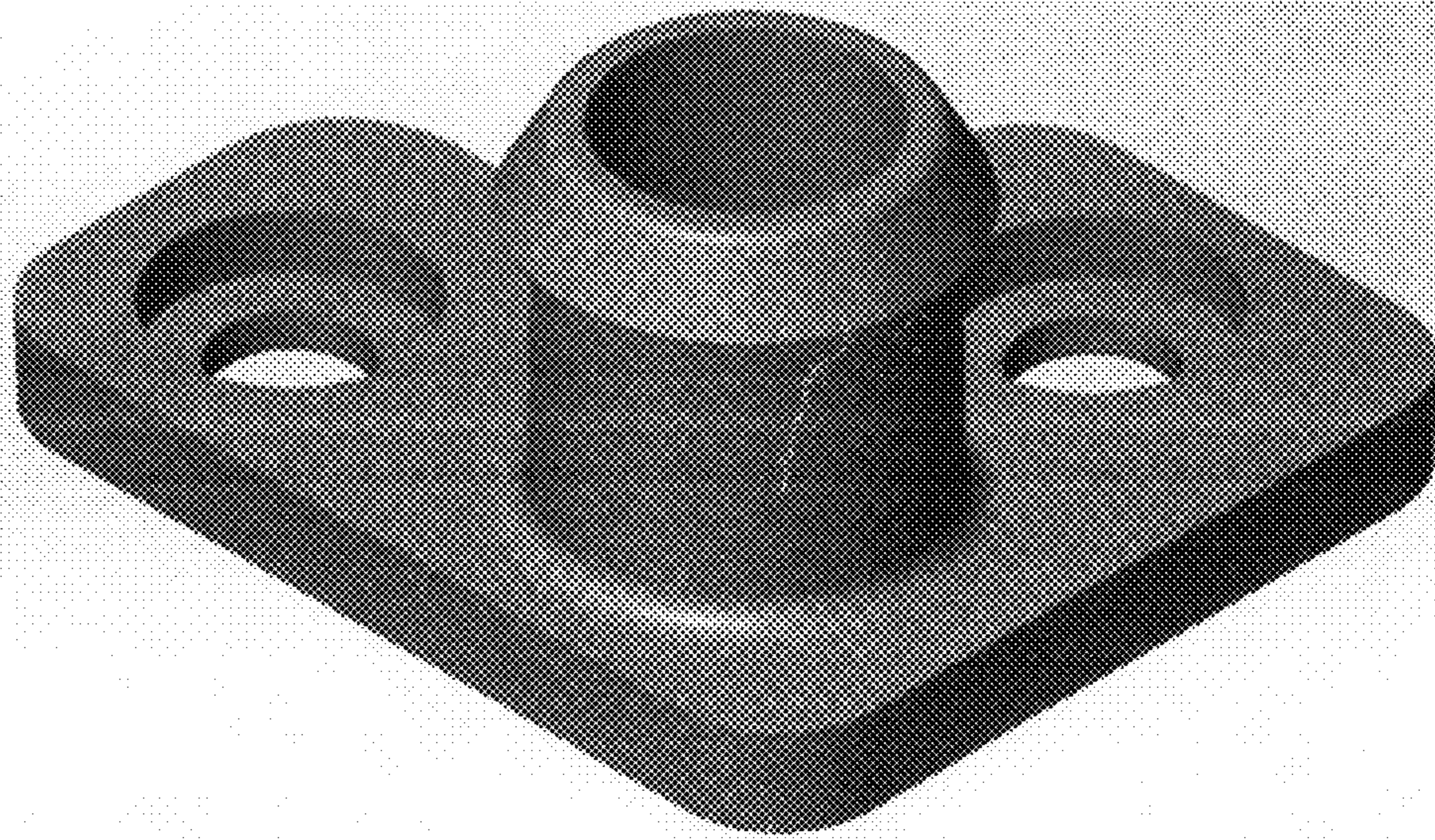


Fig. 1



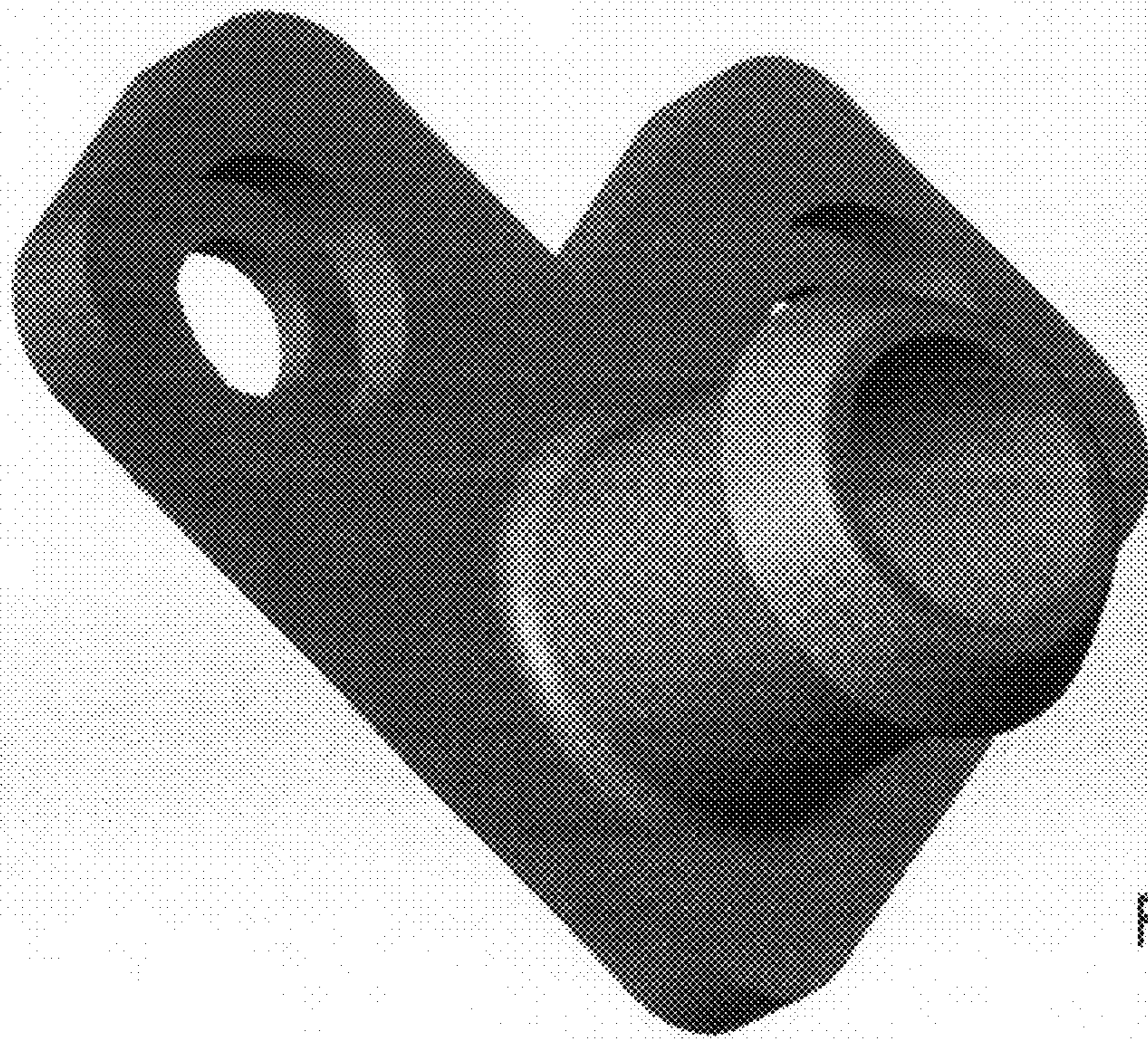


Fig. 2

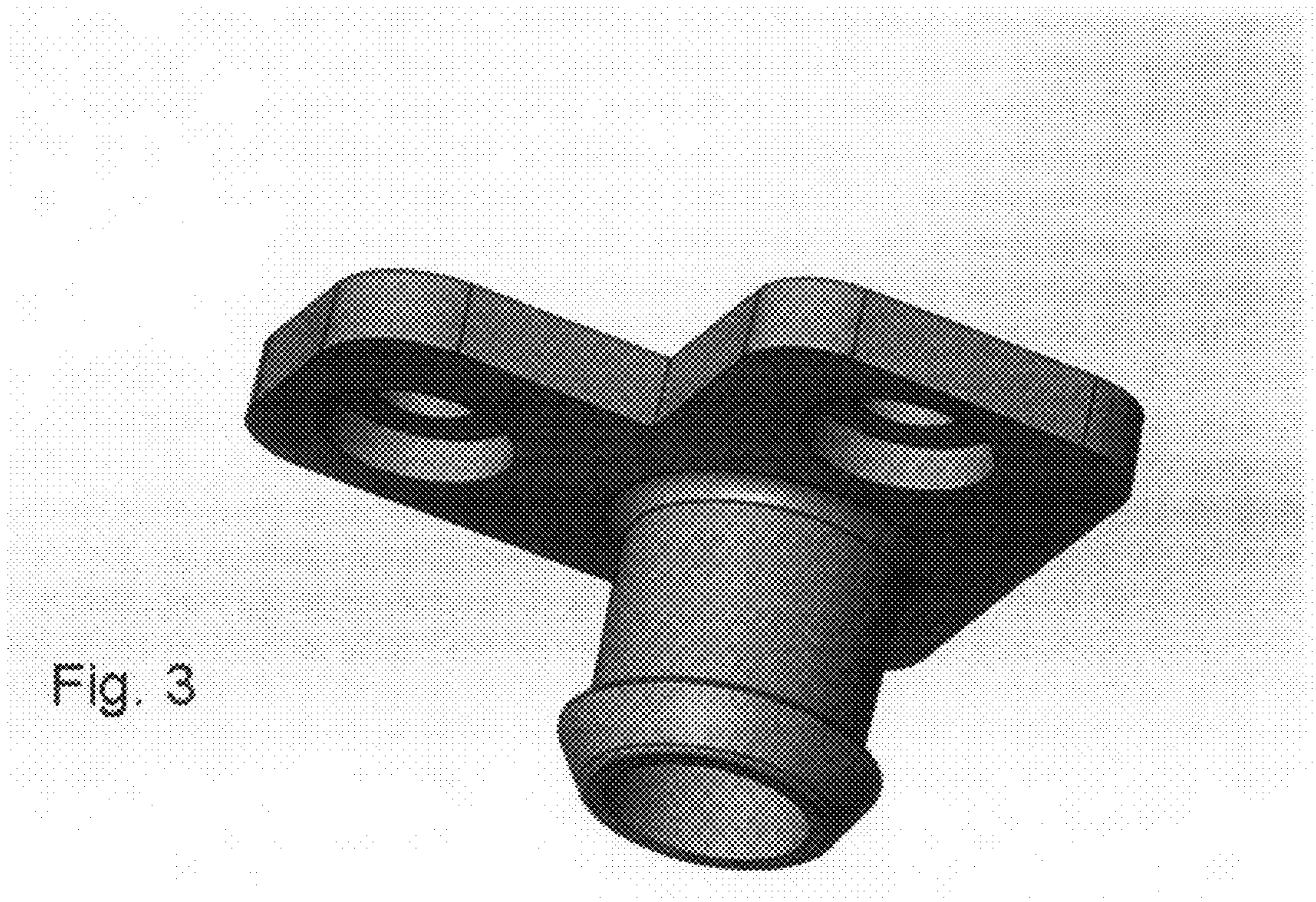


Fig. 3

Fig. 4

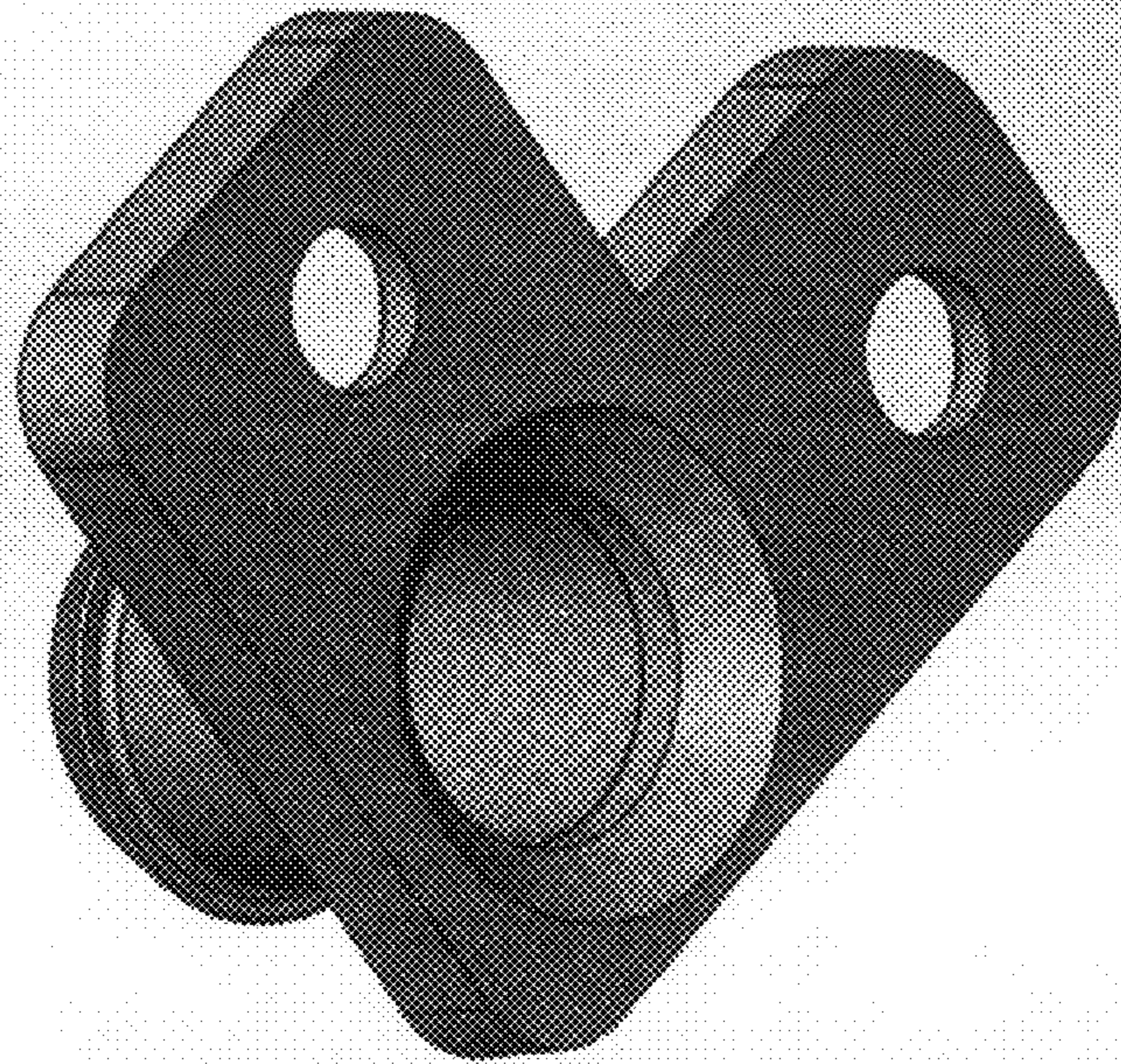


Fig. 5

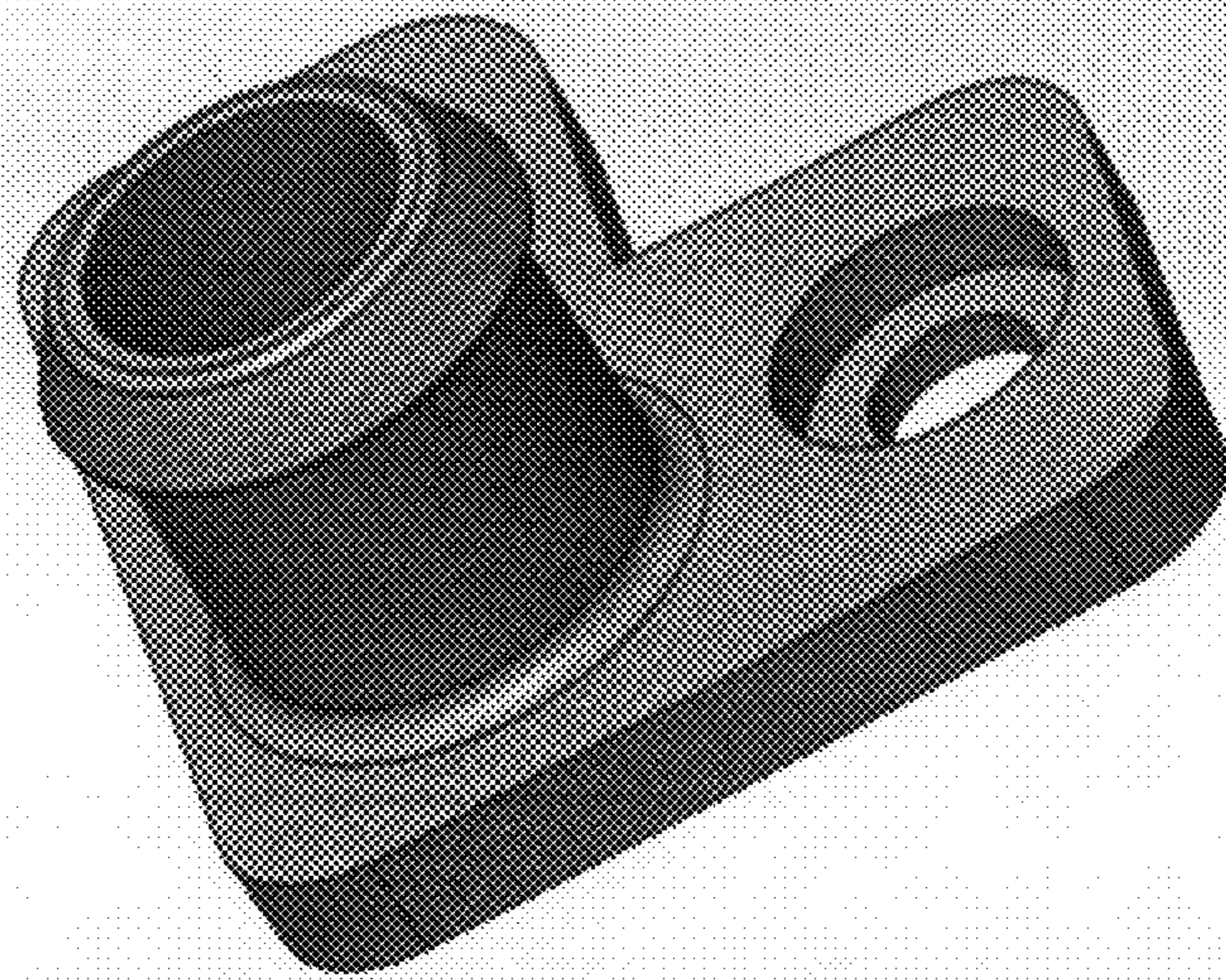


Fig. 6

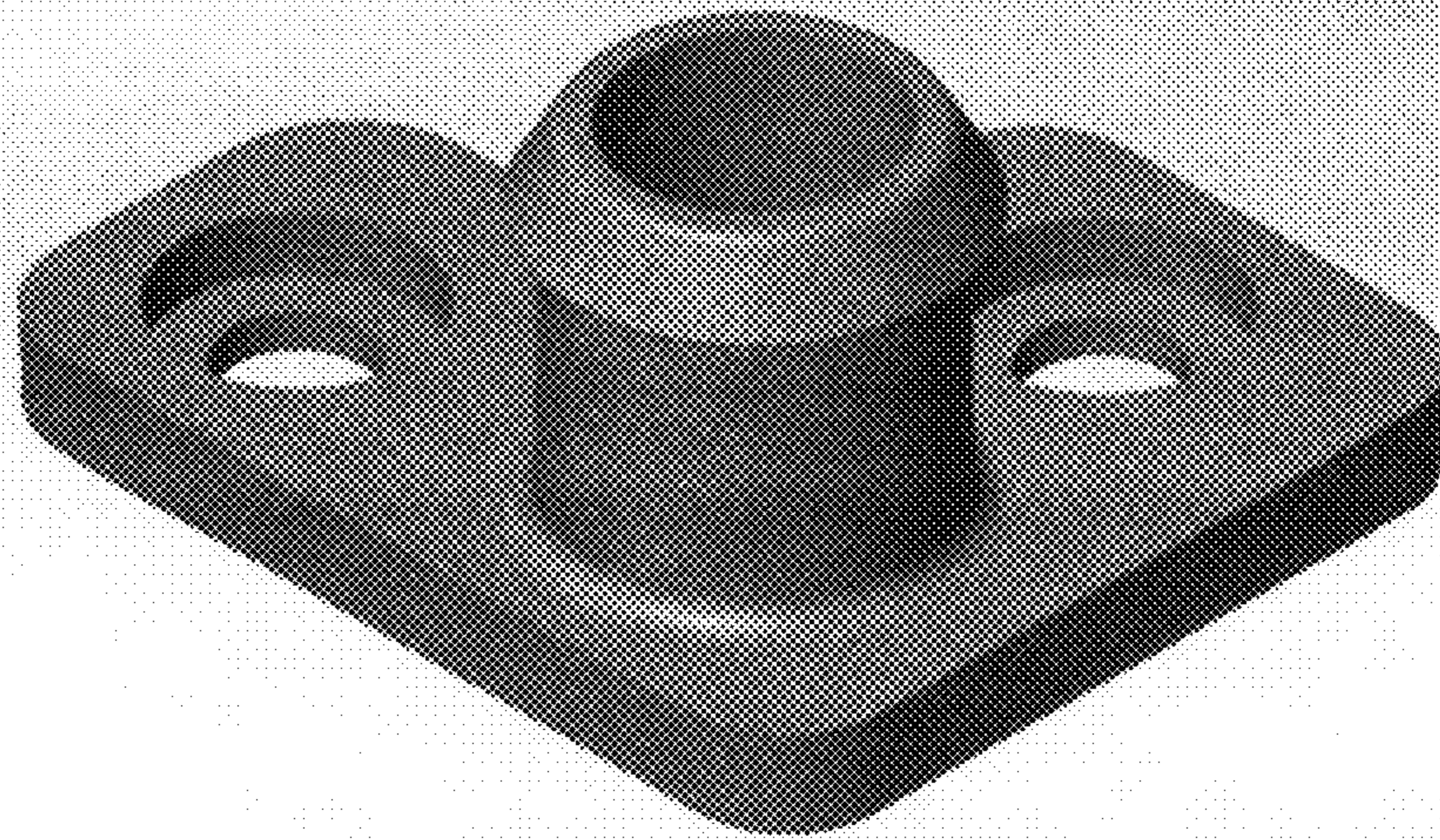


Fig. 7

