

US00D750723S

(12) **United States Design Patent**  
**Rager**

(10) **Patent No.:** **US D750,723 S**  
(45) **Date of Patent:** **\*\* Mar. 1, 2016**

- (54) **ARROWHEAD**
- (71) Applicant: **Flying Arrow Archery, LLC**, Belgrade, MT (US)
- (72) Inventor: **Christopher Allen Rager**, Belgrade, MT (US)
- (73) Assignee: **Flying Arrow Archery, LLC**, Belgrade, MT (US)
- (\*\*) Term: **14 Years**
- (21) Appl. No.: **29/501,505**
- (22) Filed: **Sep. 4, 2014**

6,863,630	B1	3/2005	Watkins et al.	
6,887,172	B2	5/2005	Arasmith	
6,966,856	B1	11/2005	Hajek	
7,311,622	B1	12/2007	Futtere	
8,043,178	B2 *	10/2011	Sames	F42B 6/08 473/583
D663,004	S *	7/2012	Isringhausen	D22/107
8,496,549	B2 *	7/2013	Couture	F42B 6/08 473/583
2013/0237350	A1 *	9/2013	Rager	C21D 9/0068 473/584

**OTHER PUBLICATIONS**

Notice of Allowance in U.S. Appl. No. 29/441,340, mailed May 20, 2014, 7 pages.  
Office Action in U.S. Appl. No. 13/797,290, mailed Jun. 23, 2014, 5 pages.

\* cited by examiner

*Primary Examiner* — Michael A Pratt  
(74) *Attorney, Agent, or Firm* — Lathrop & Gage LLP

**Related U.S. Application Data**

- (62) Division of application No. 29/441,340, filed on Jan. 3, 2013, now Pat. No. Des. 713,919.
- (51) **LOC (10) Cl.** ..... **22-01**
- (52) **U.S. Cl.**  
USPC ..... **D22/107**
- (58) **Field of Classification Search**  
USPC ..... D22/107, 115–166  
CPC ..... F42B 6/04; F42B 6/08; F42B 6/003;  
F42B 6/02; F42B 12/362  
See application file for complete search history.

(57) **CLAIM**

The ornamental design for an arrowhead, as shown and described.

**DESCRIPTION**

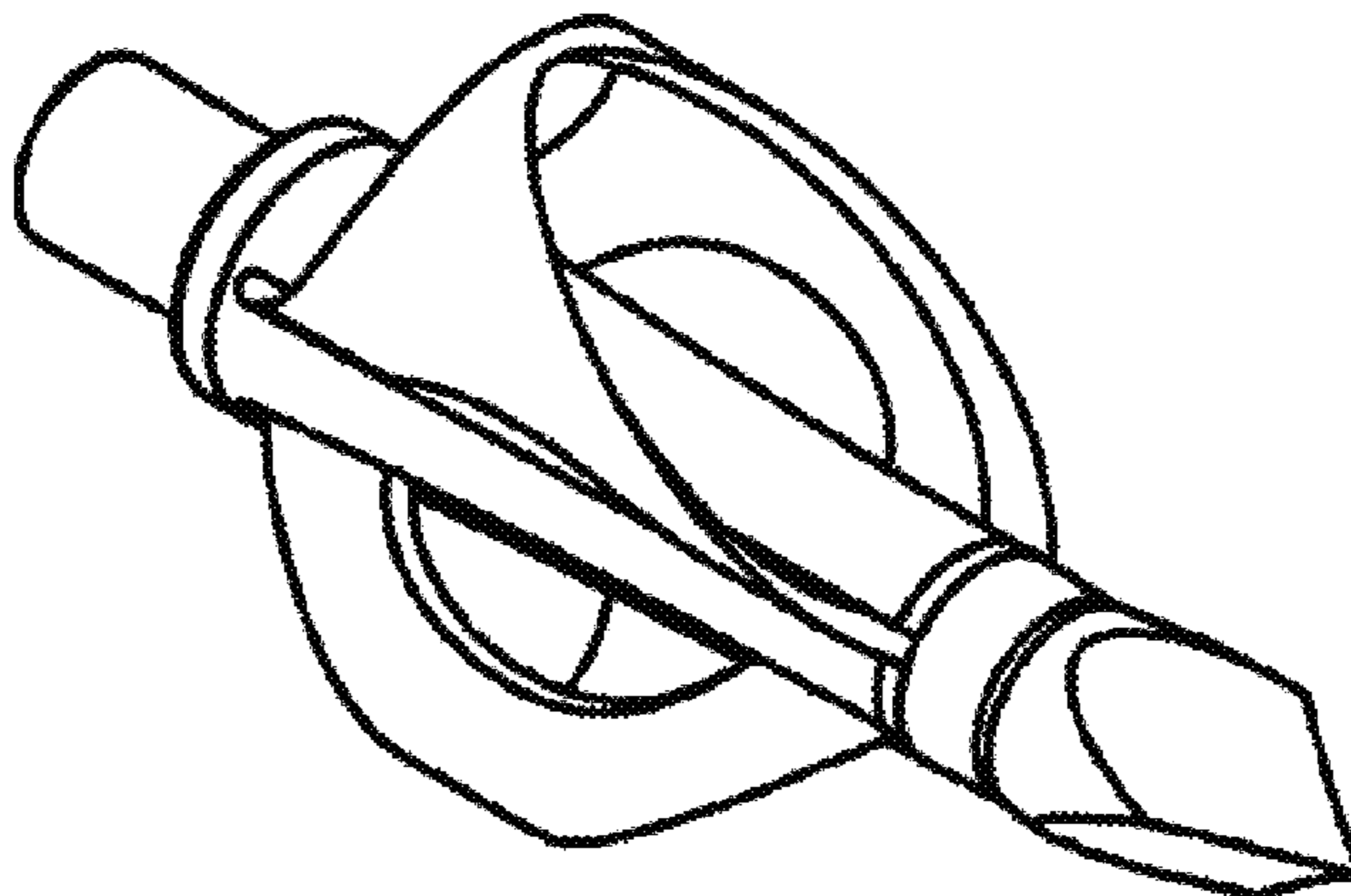
FIG. 1 is an isometric view of an arrowhead in accordance with a first embodiment of my new design;  
FIG. 2 is a top view thereof;  
FIG. 3 is a bottom view thereof;  
FIG. 4 is a right side view thereof;  
FIG. 5 is a left side view thereof;  
FIG. 6 is a front view thereof; and  
FIG. 7 is a back view thereof.  
FIG. 8 is an isometric view of an arrowhead in accordance with a second embodiment of my new design;  
FIG. 9 is a top view thereof;  
FIG. 10 is a bottom view thereof;  
FIG. 11 is a right side view thereof;  
FIG. 12 is a left side view thereof;  
FIG. 13 is a front view thereof; and,  
FIG. 14 is a back view thereof.

(56) **References Cited**

**U.S. PATENT DOCUMENTS**

D184,538	S	3/1959	Santry	
2,888,264	A *	5/1959	Sharrar	F42B 6/08 473/585
3,604,708	A	9/1971	Brozina	
3,897,062	A	7/1975	Christensen	
4,093,230	A *	6/1978	Simo	F42B 6/08 30/151
5,160,148	A	11/1992	Musacchia	
5,257,809	A	11/1993	Carrizosa	
6,319,161	B1	11/2001	Martinez et al.	
6,663,518	B1 *	12/2003	Kuhn	F42B 6/08 473/583

**1 Claim, 8 Drawing Sheets**



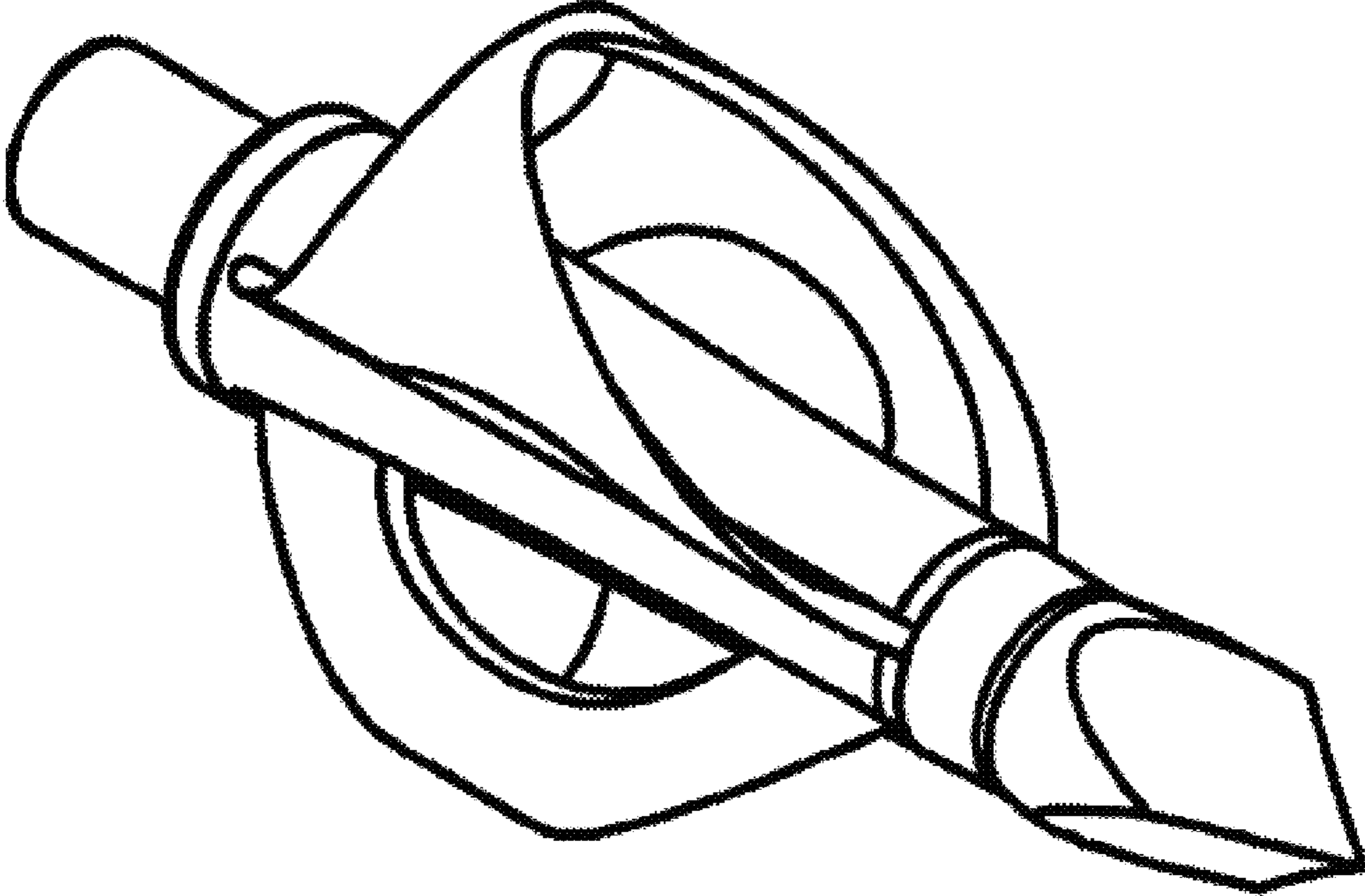


FIG. 1



FIG. 2



FIG. 3

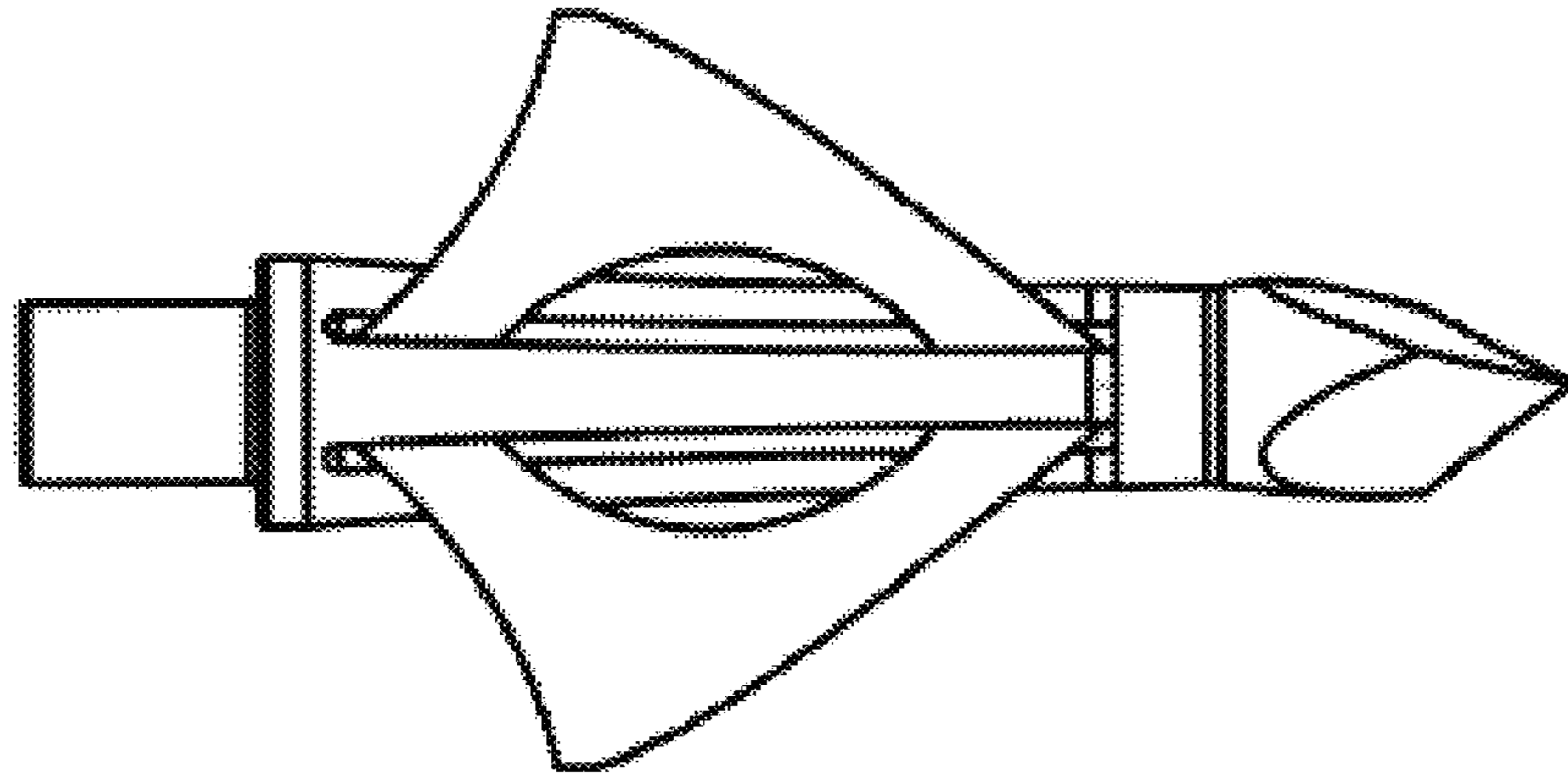


FIG. 4

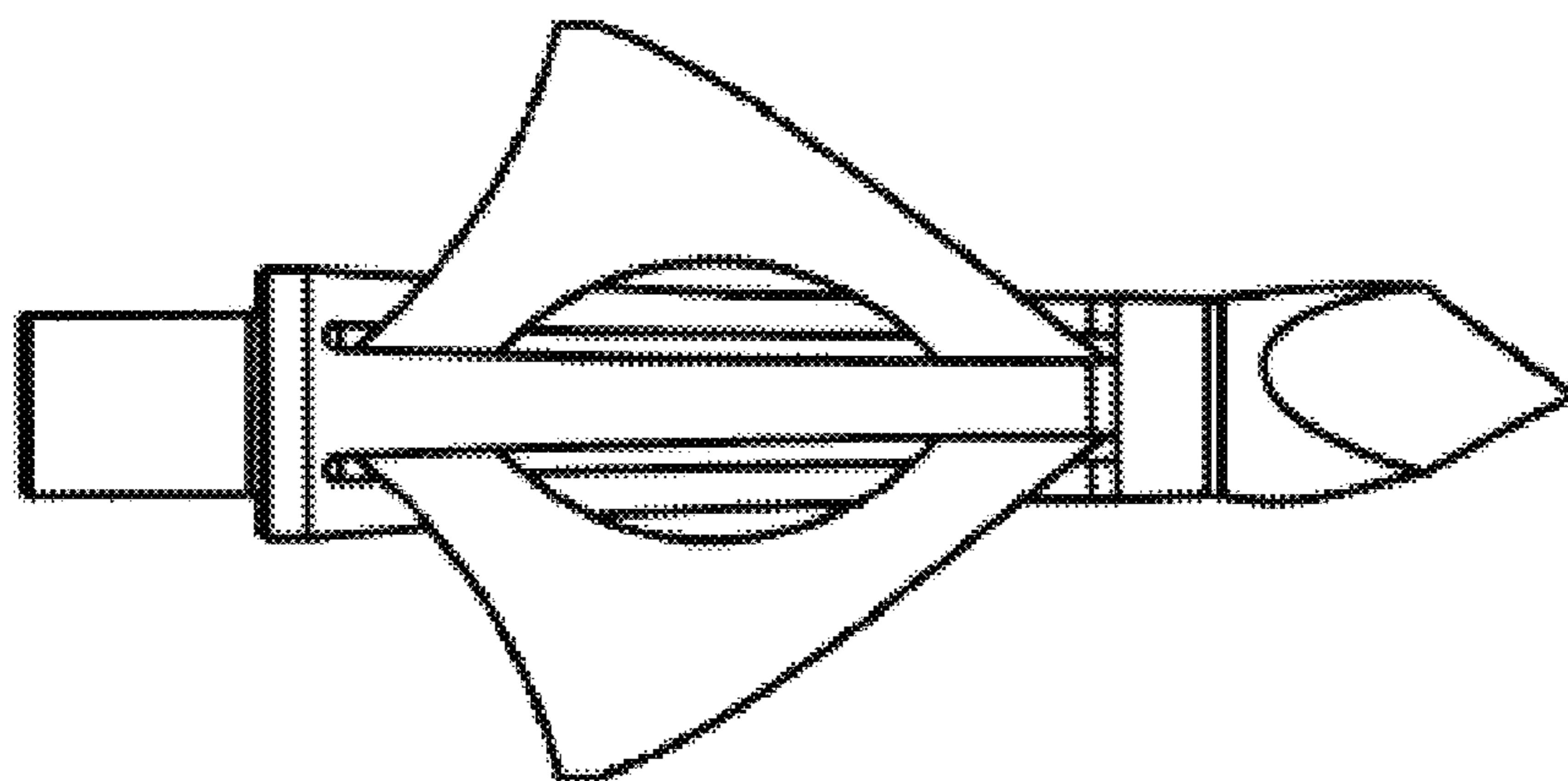


FIG. 5

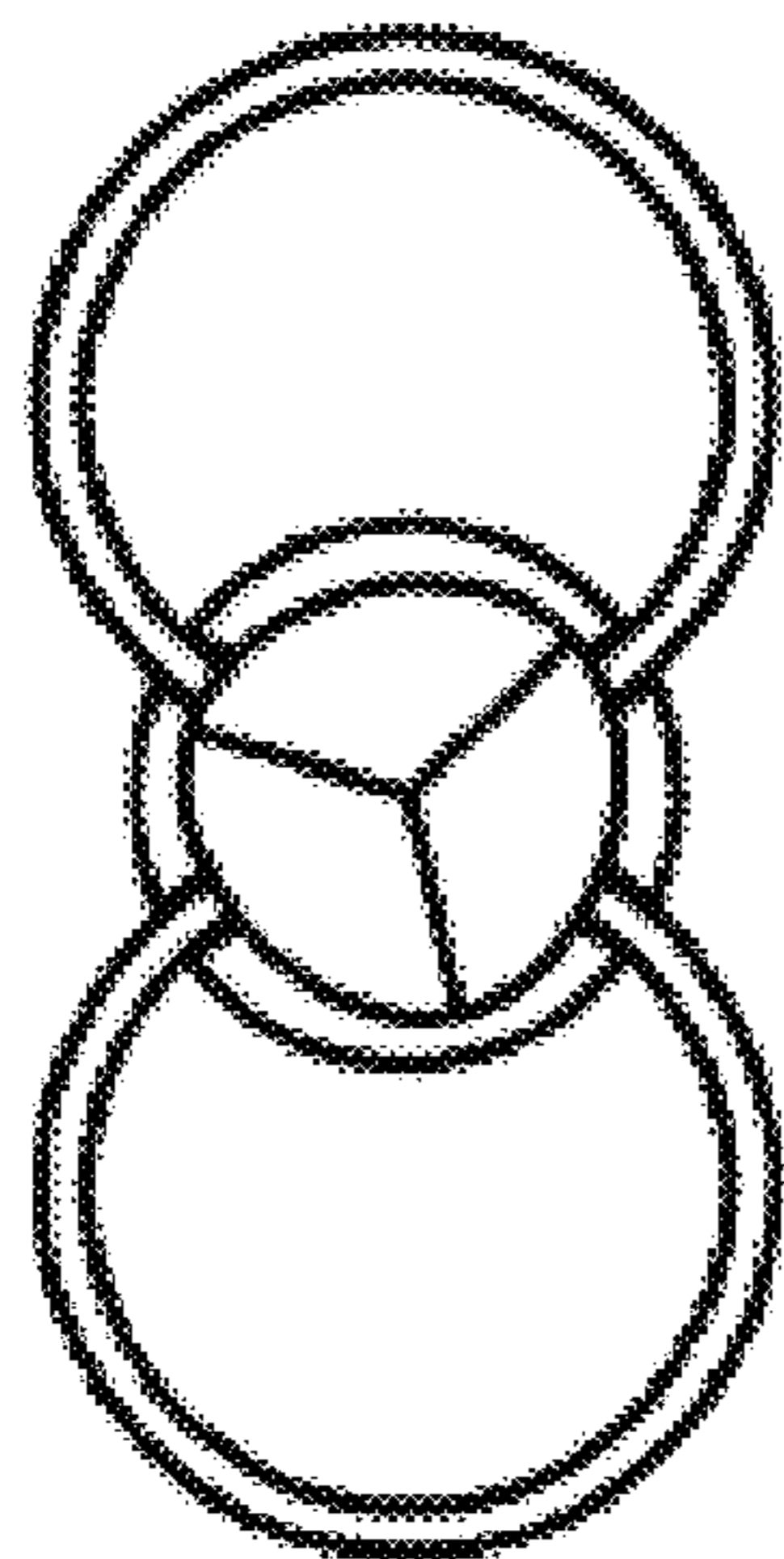


FIG. 6

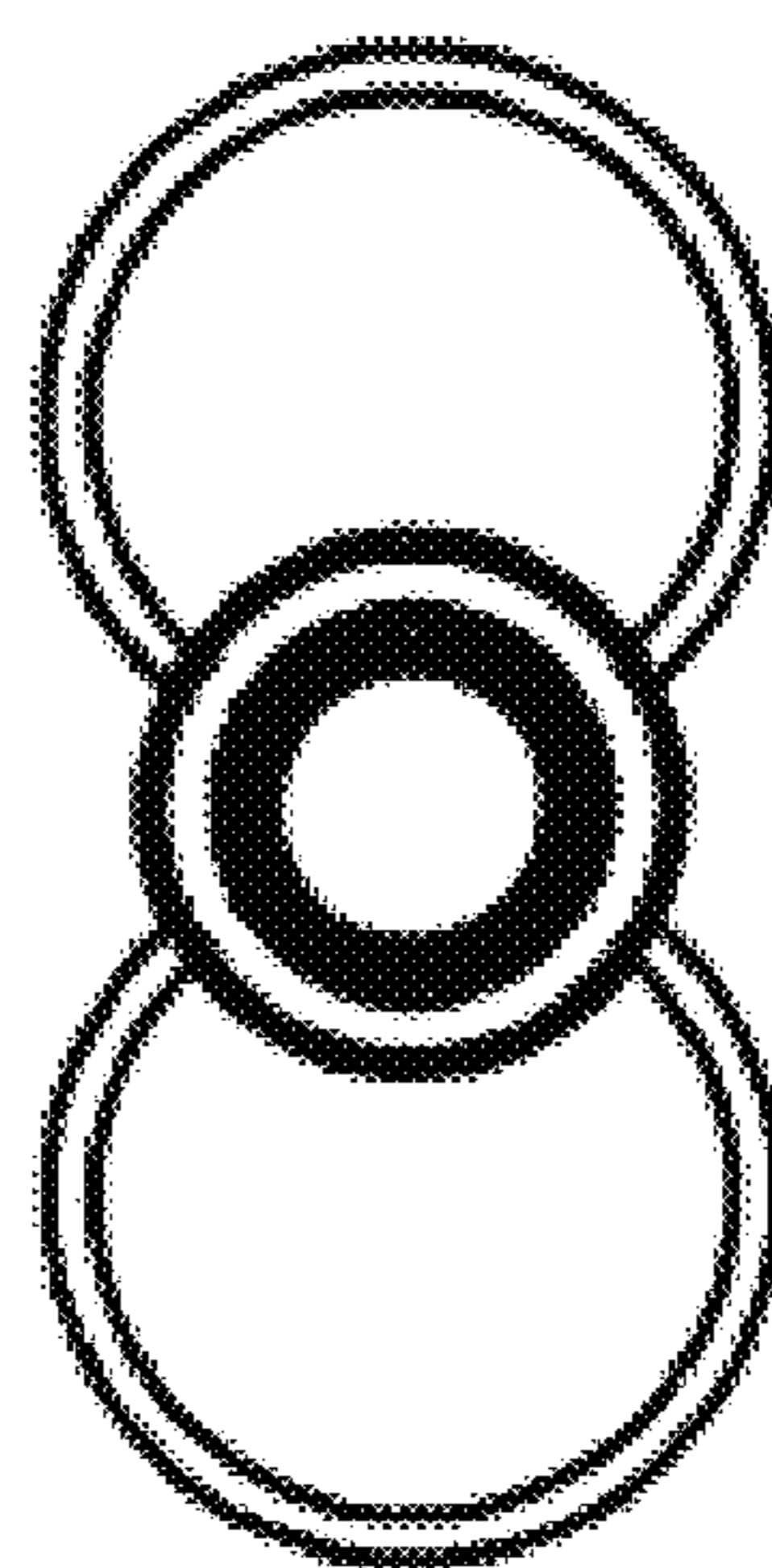


FIG. 7

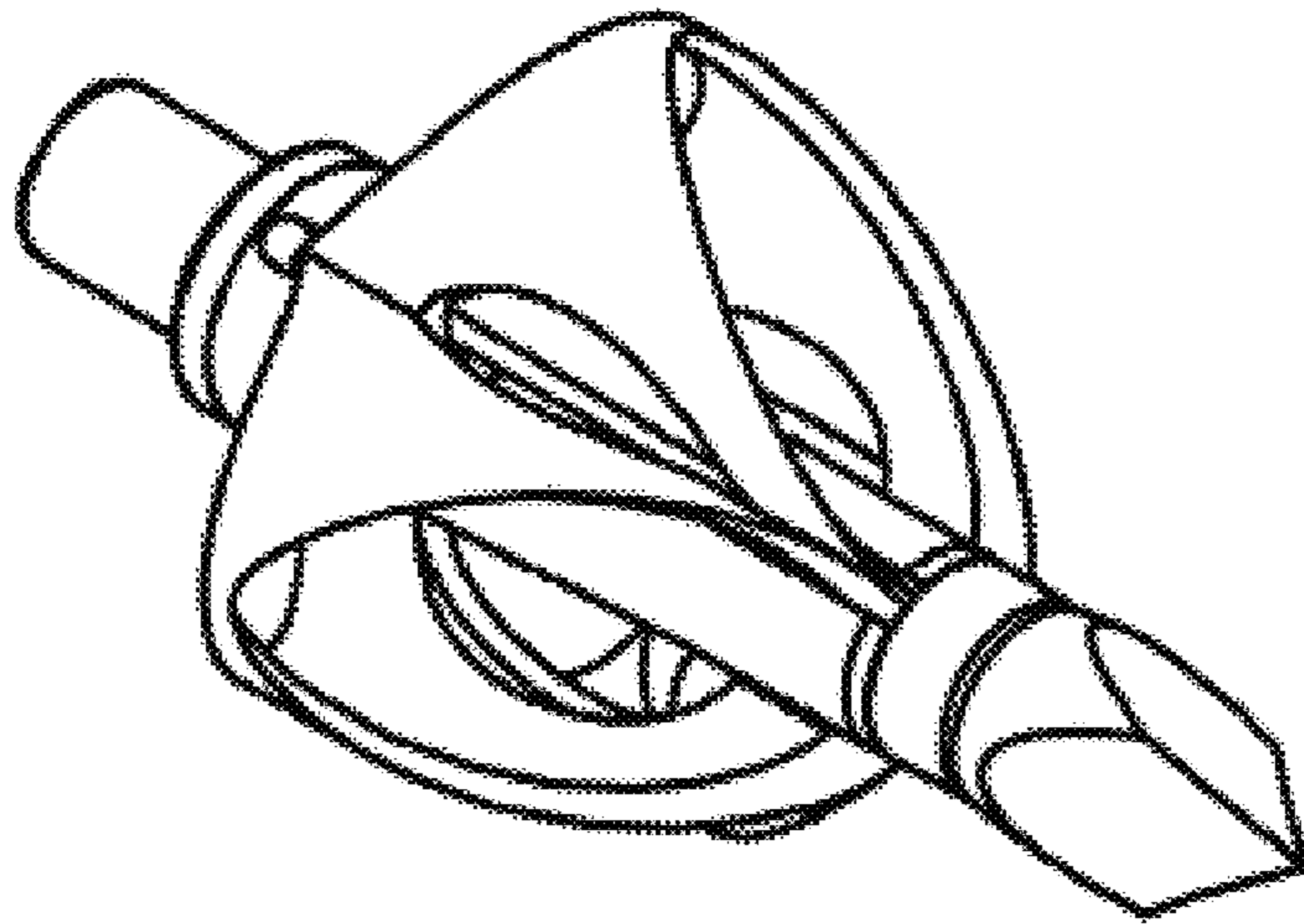


FIG. 8

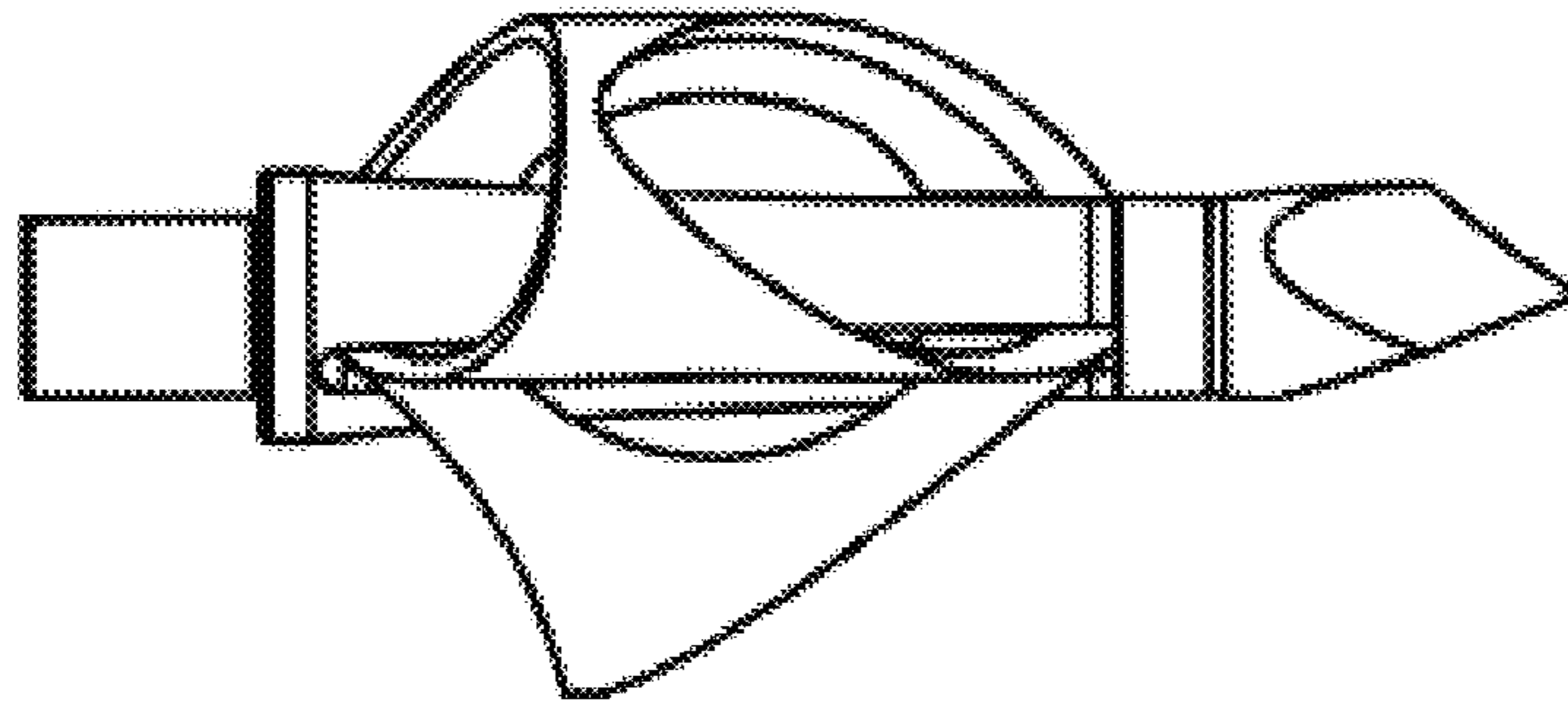


FIG. 9

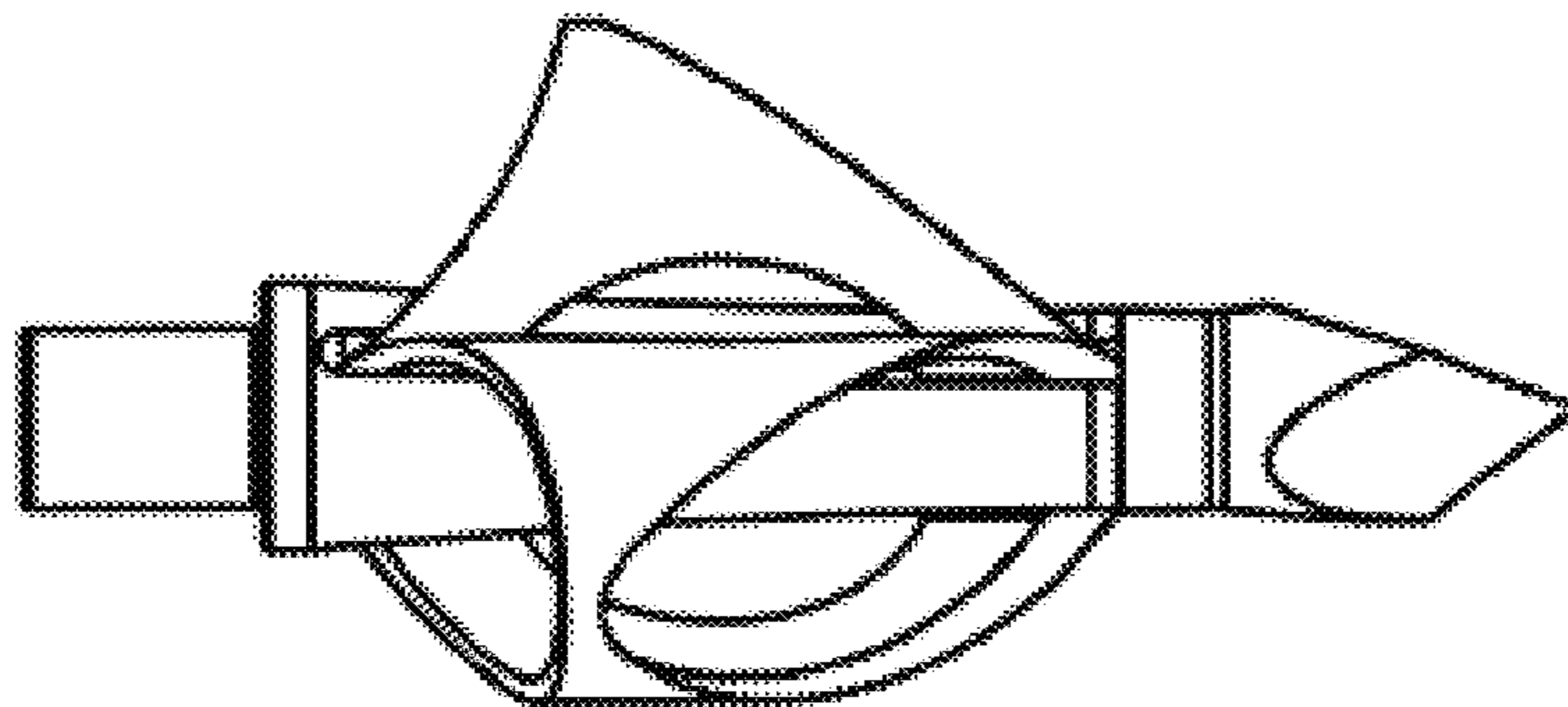


FIG. 10

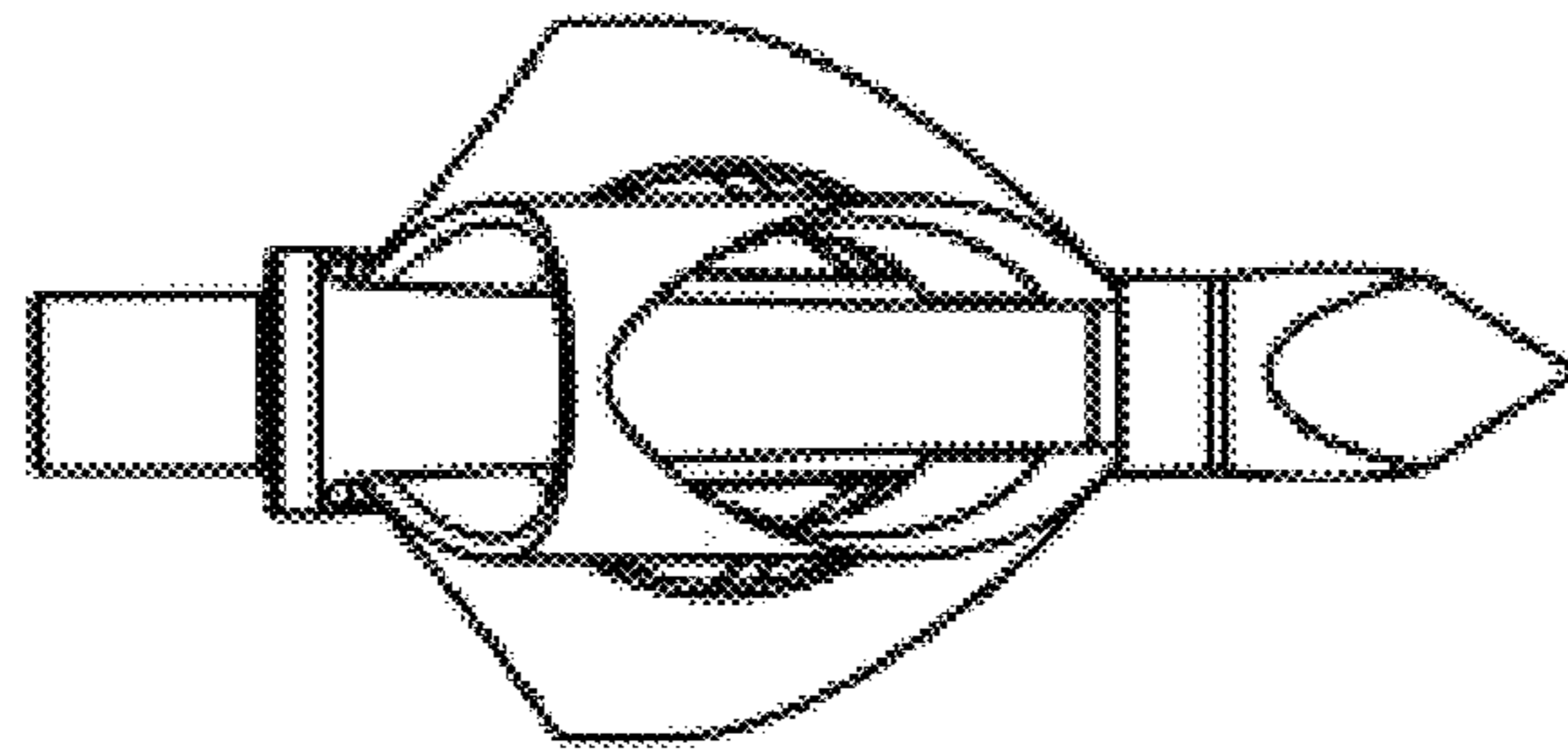


FIG. 11

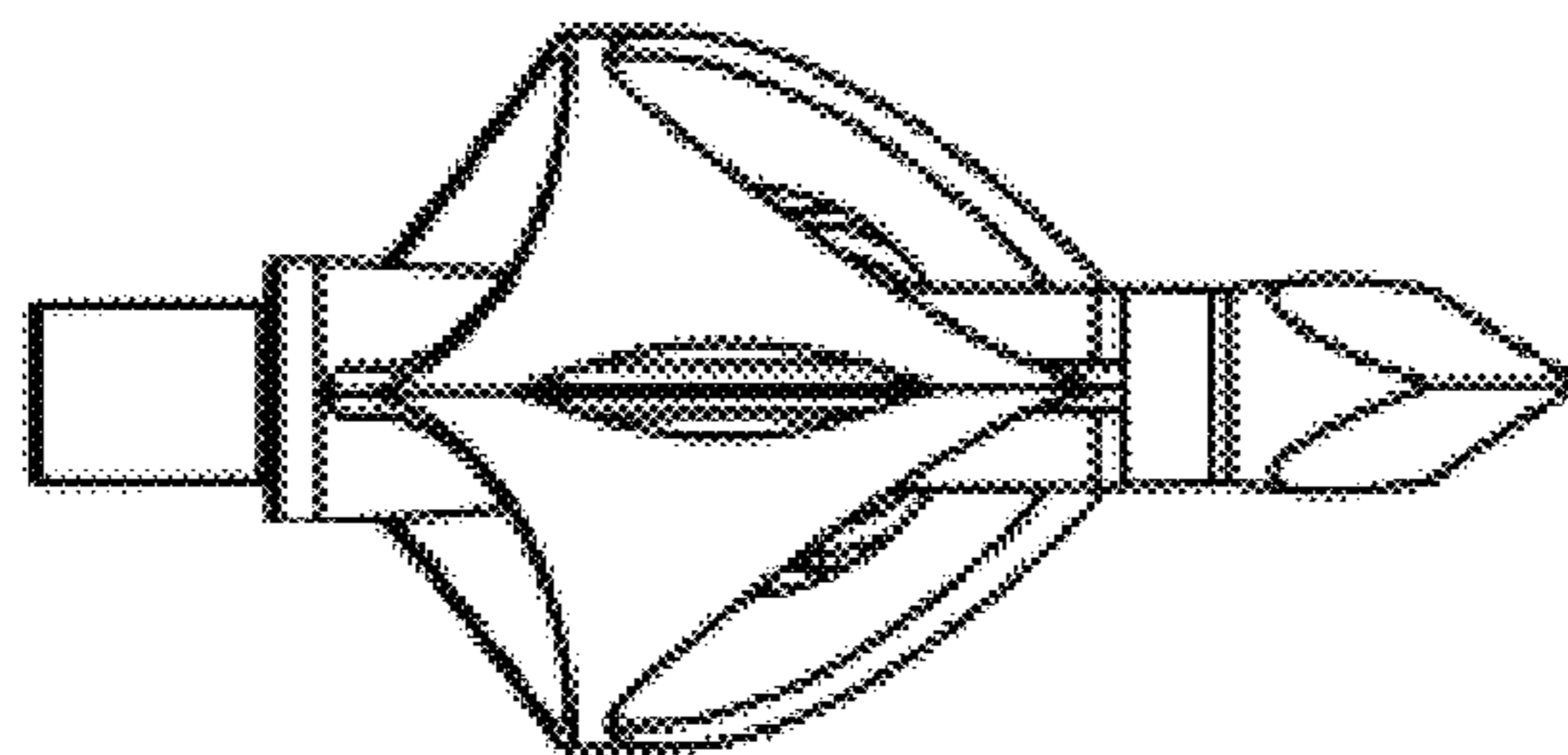


FIG. 12



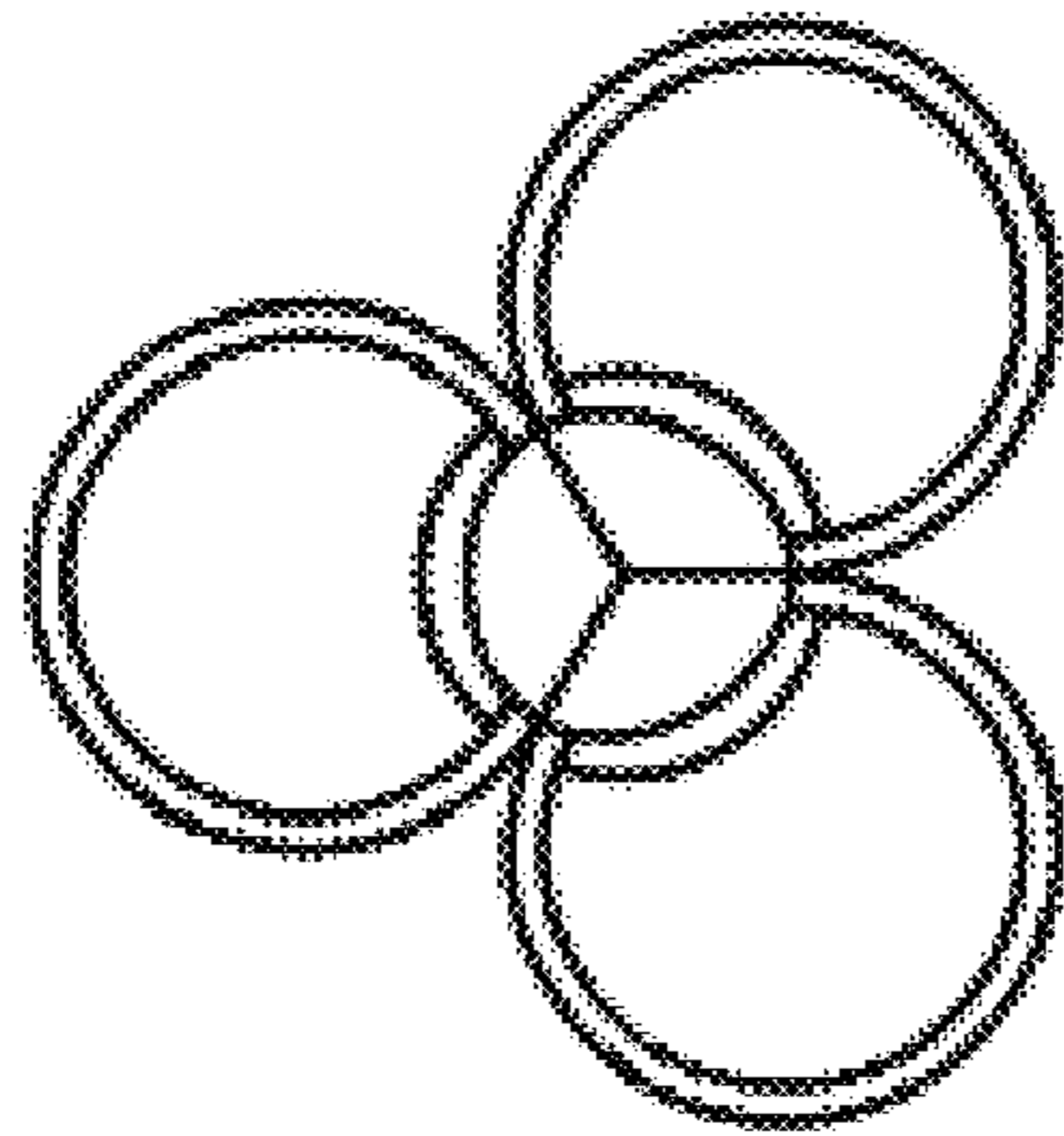


FIG. 13

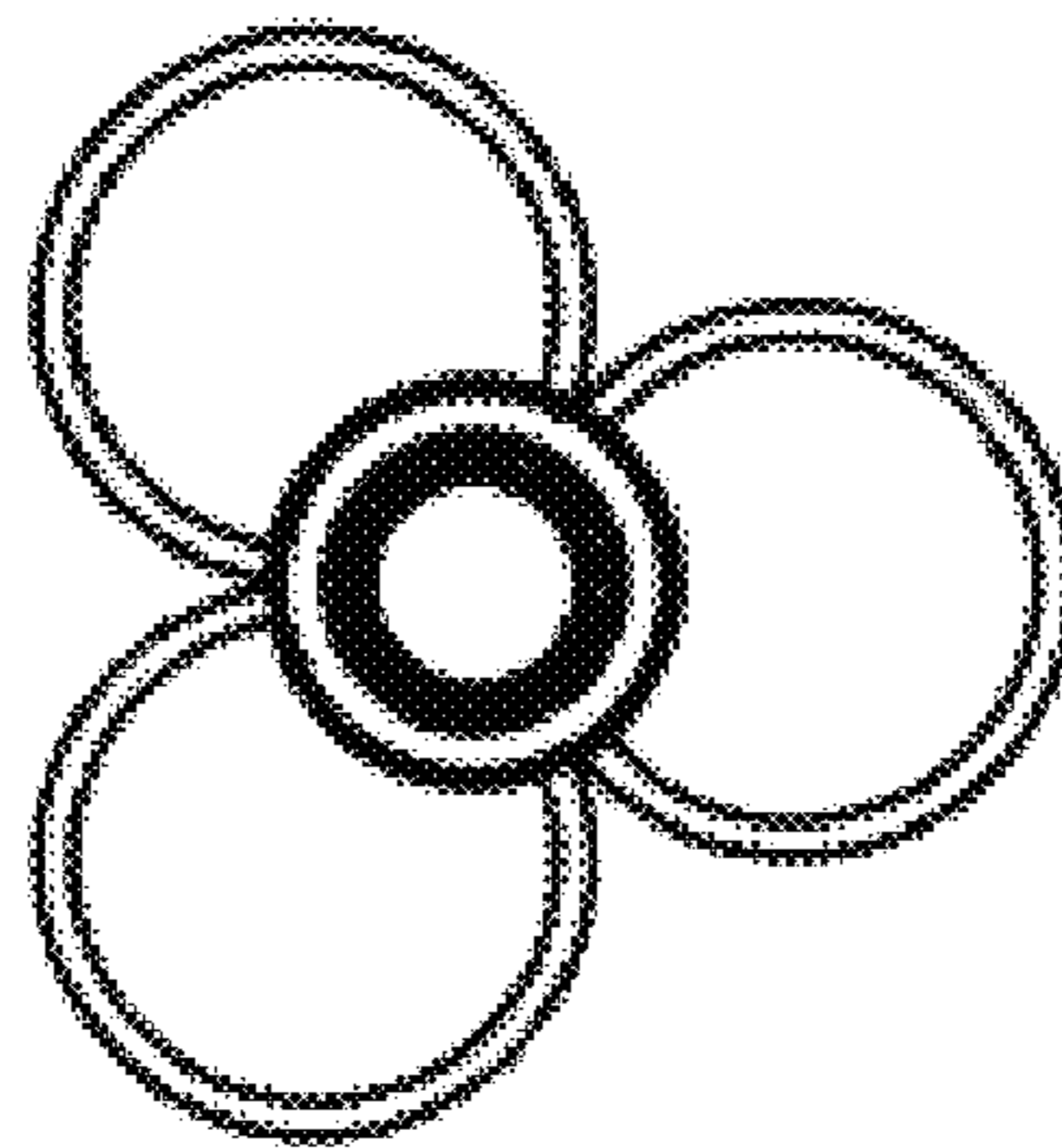


FIG. 14