



US00D750722S

(12) **United States Design Patent**
Young et al.

(10) **Patent No.:** **US D750,722 S**
(45) **Date of Patent:** **** Mar. 1, 2016**

(54) **FIREARM**

(71) Applicants: **Nicholas E. Young**, Murray, UT (US);
Andrew Gary Sunseri, Cottonwood Heights, UT (US)

(72) Inventors: **Nicholas E. Young**, Murray, UT (US);
Andrew Gary Sunseri, Cottonwood Heights, UT (US)

(**) Term: **14 Years**

(21) Appl. No.: **29/487,970**

(22) Filed: **Apr. 14, 2014**

(51) **LOC (10) Cl.** **22-01**

(52) **U.S. Cl.**
USPC **D22/103**

(58) **Field of Classification Search**
USPC D22/103, 108; D21/572-575; 42/51,
42/71.01, 75.01, 75.02, 90, 94, 134, 136,
42/139, 125, 72, 111; 89/40.06, 41.19,
89/37.04, 33.04, 191.01, 200-204;
124/67, 66, 72, 74
CPC F41C 7/00; F41C 7/11; F41C 7/12;
F41A 3/26; F41A 21/36; F41A 5/18
See application file for complete search history.

(56) **References Cited**

U.S. PATENT DOCUMENTS

D547,818 S * 7/2007 Wolfe D22/103
7,299,737 B2 * 11/2007 Hajjar et al. 89/188
D611,111 S * 3/2010 Hajjar et al. D22/103
D665,042 S * 8/2012 Kellgren D22/103
D693,420 S * 11/2013 Abbott et al. D22/103
D710,964 S * 8/2014 Chvala D22/108
D715,882 S * 10/2014 Jonker D22/103

D719,631 S * 12/2014 Ferko D22/103
D723,128 S * 2/2015 Hu D22/103
D730,999 S * 6/2015 Stevens D21/573
2011/0209607 A1 * 9/2011 St. George 89/191.01
2011/0283582 A1 * 11/2011 Hunter et al. 42/69.02

OTHER PUBLICATIONS

<https://www.keltecweapons.com/our-guns/rfb/rifle/> accessed Apr. 3, 2014.

<http://www.iwi.us/TAVOR> accessed Apr. 3, 2014.

* cited by examiner

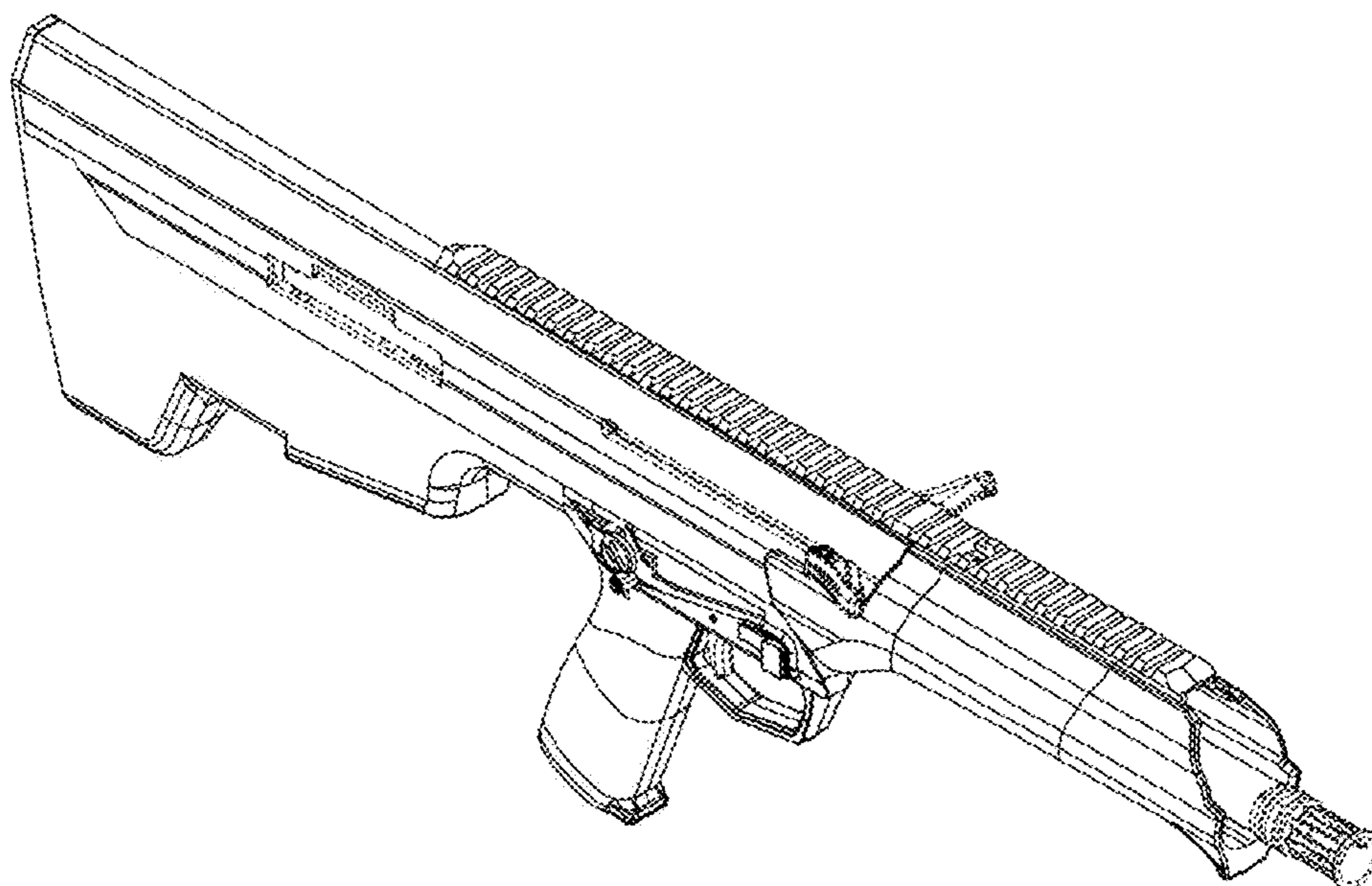
Primary Examiner — Michael A Pratt

(57) **CLAIM**
The ornamental design for a firearm, as shown.

DESCRIPTION

FIG. 1 is a perspective view of an exemplary firearm from above to the right and toward the front.
FIG. 2 is a perspective view of the firearm of FIG. 1 from above to the left and toward the front.
FIG. 3 is a perspective view of the firearm of FIG. 1 from below to the right and toward the front.
FIG. 4 is a perspective view of the firearm of FIG. 1 from below to the left and toward the front.
FIG. 5 is a left elevation view of the firearm of FIG. 1.
FIG. 6 is a right elevation view of the firearm of FIG. 1.
FIG. 7 is a bottom plan view of the firearm of FIG. 1.
FIG. 8 is a top plan view of the firearm of FIG. 1.
FIG. 9 is a front elevation view of the firearm of FIG. 1; and, FIG. 10 is a rear elevation view of the firearm of FIG. 1.
The phantom dashed lines in the Figs. showing portions of the scope reticle are for illustrative purposes only and form no part of the claimed design relative to the particular embodiment shown.

1 Claim, 7 Drawing Sheets



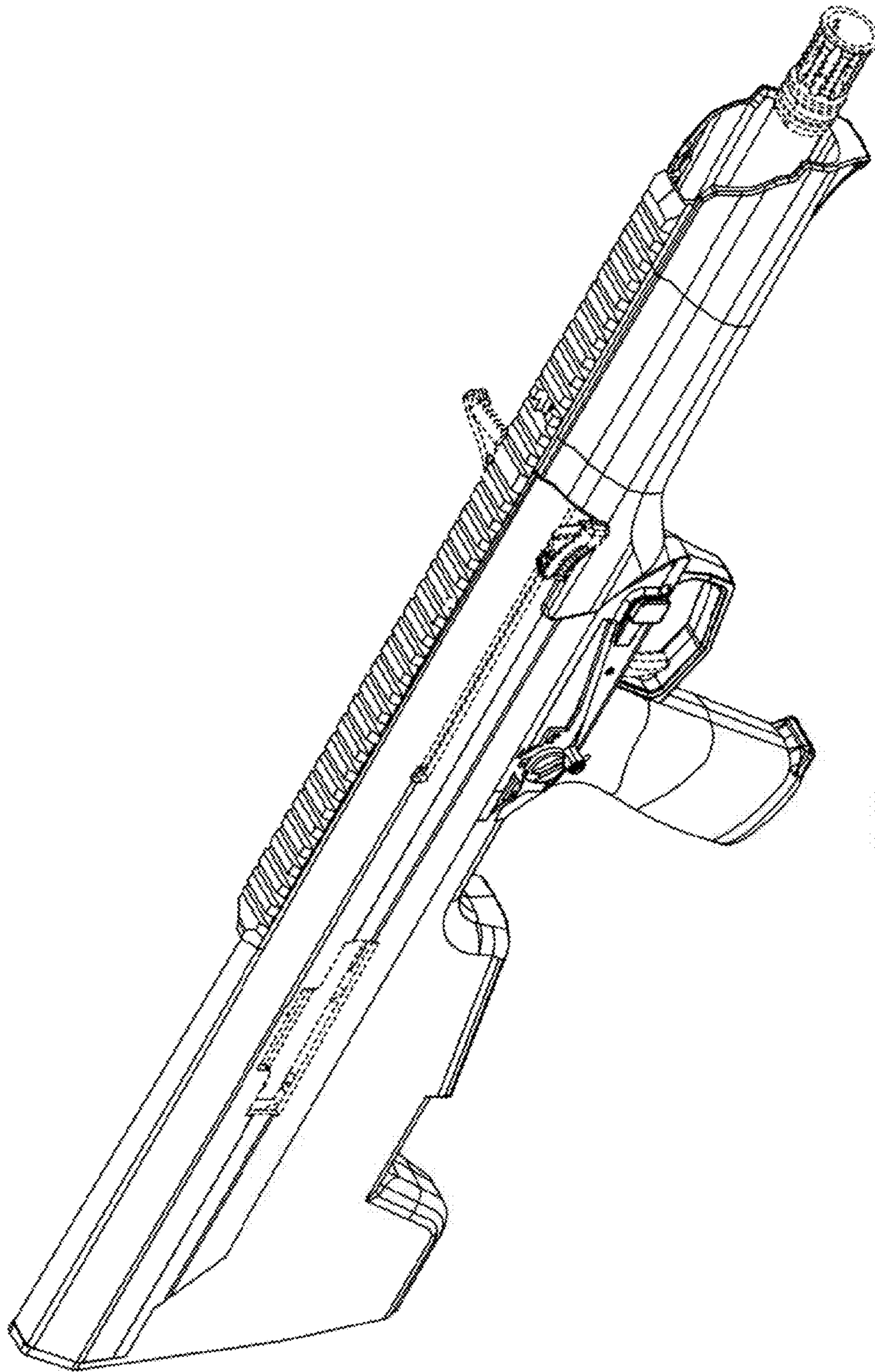


FIG. 1

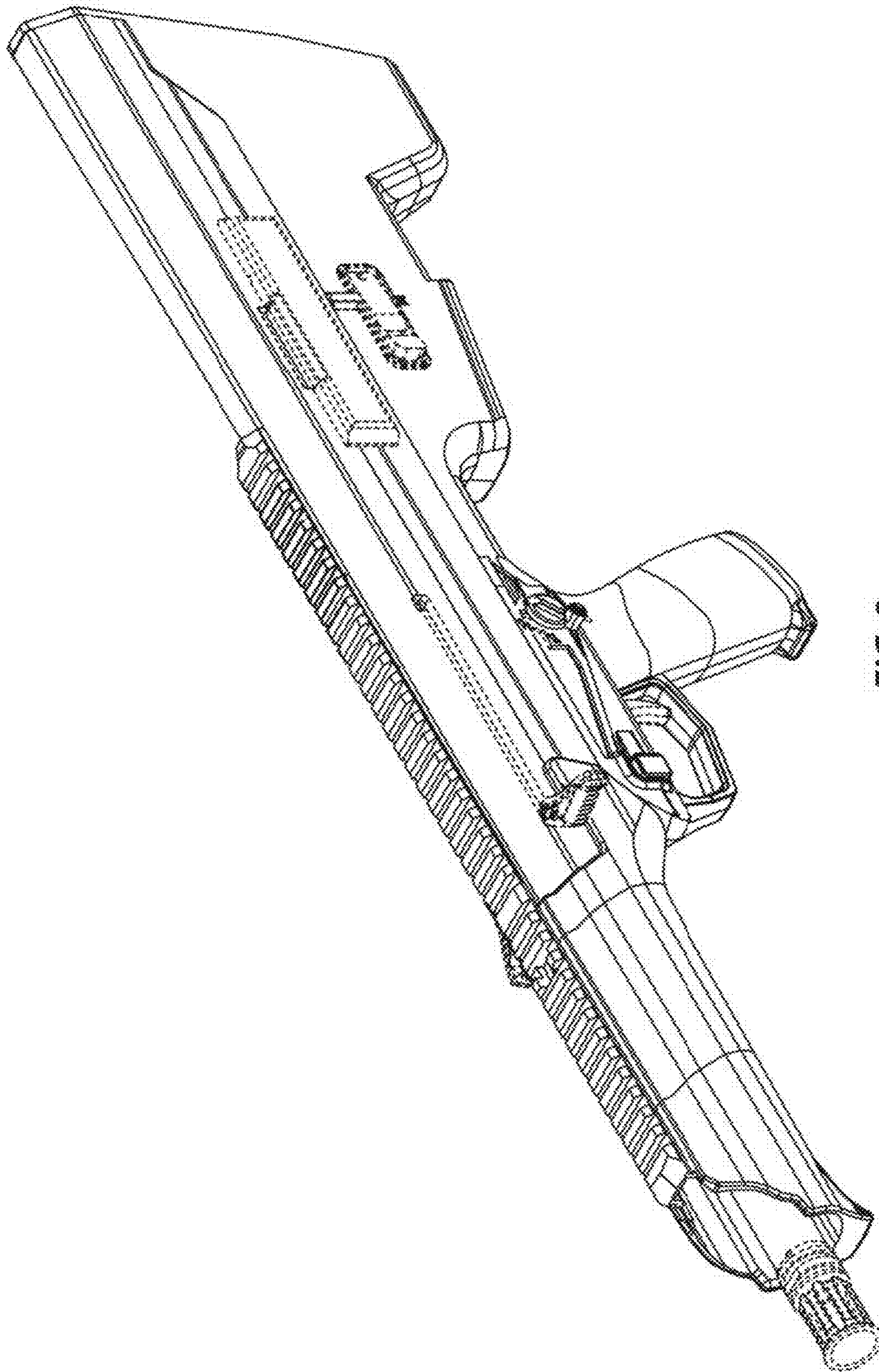


FIG. 2

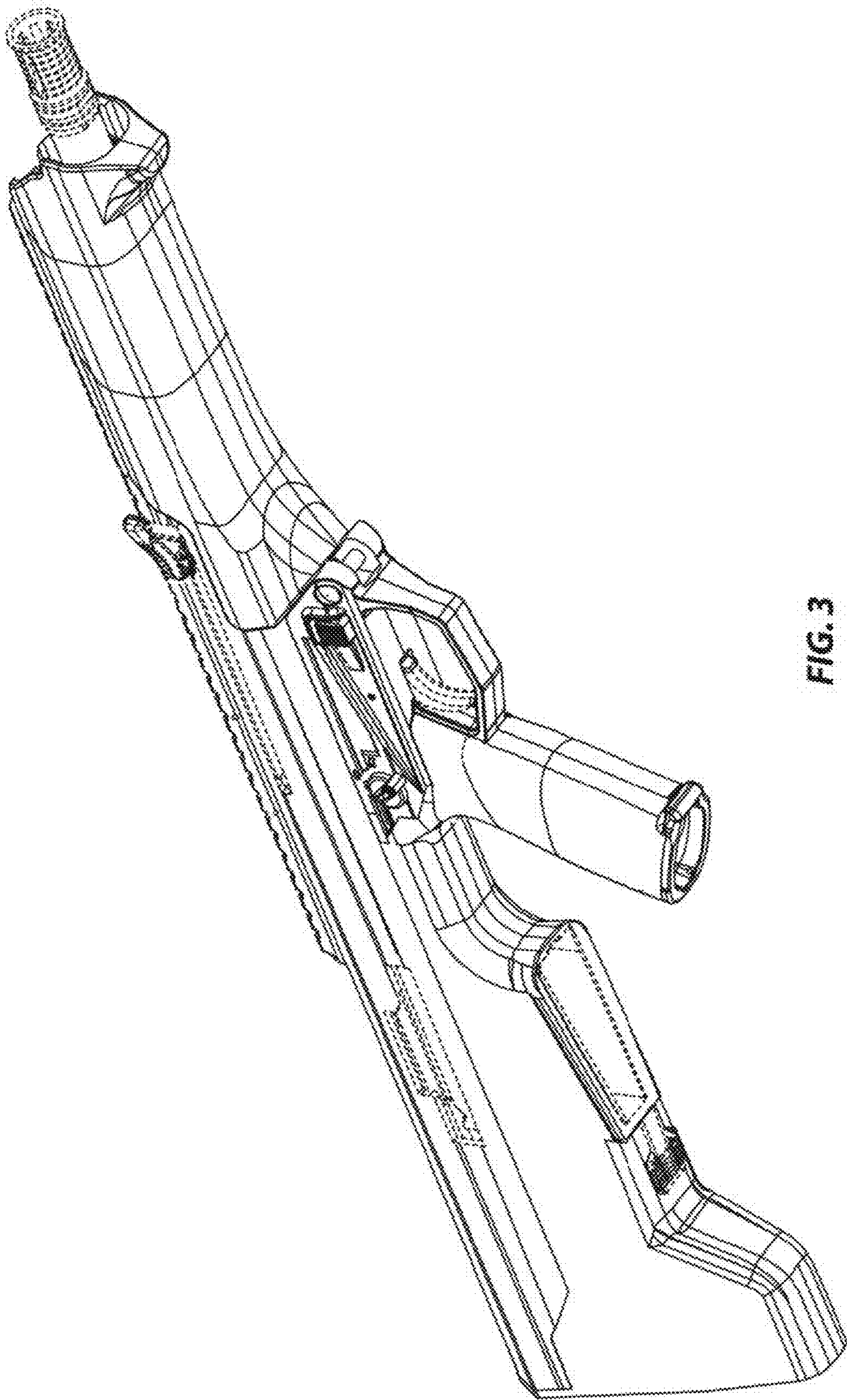


FIG. 3

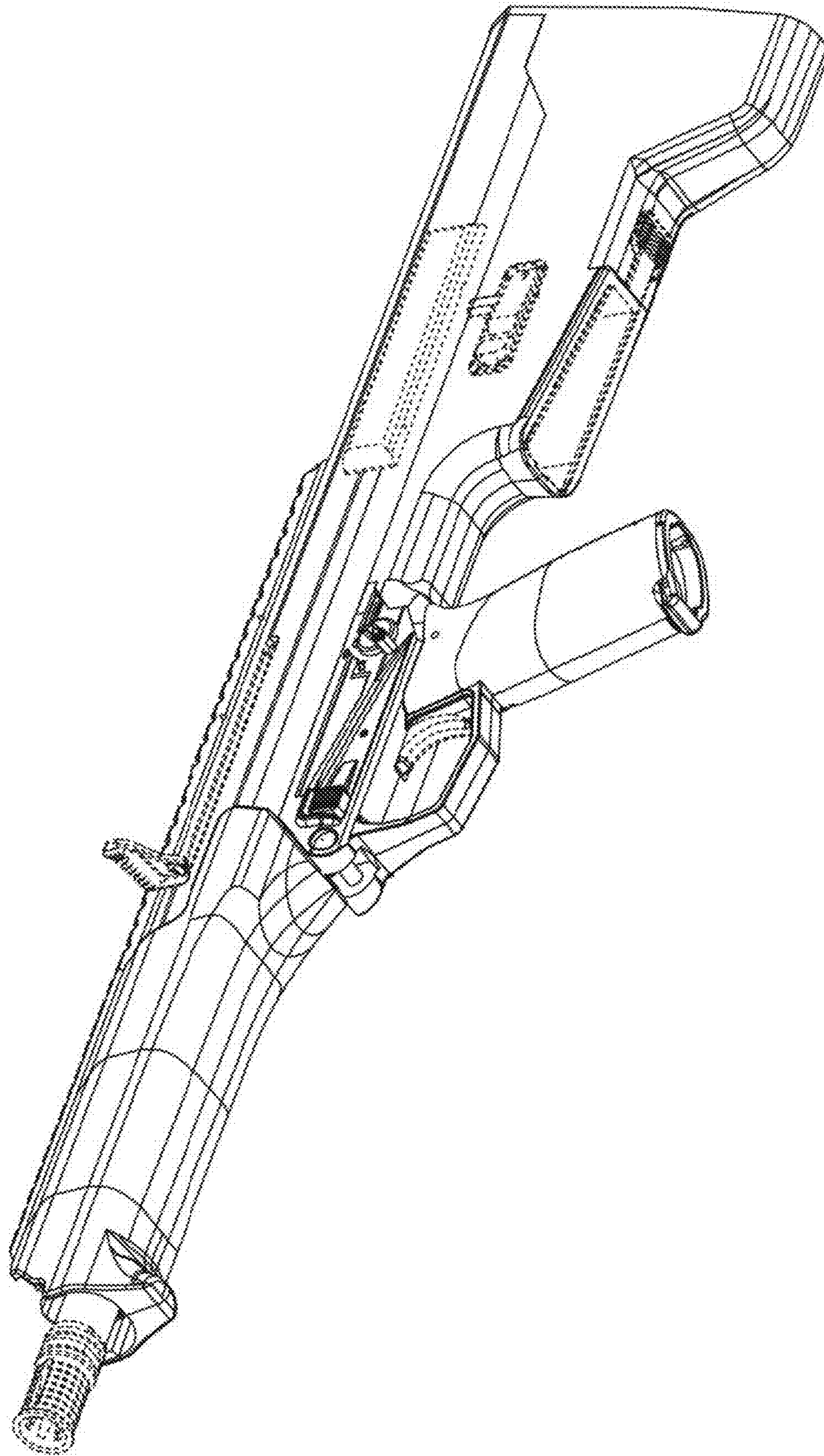


FIG. 4

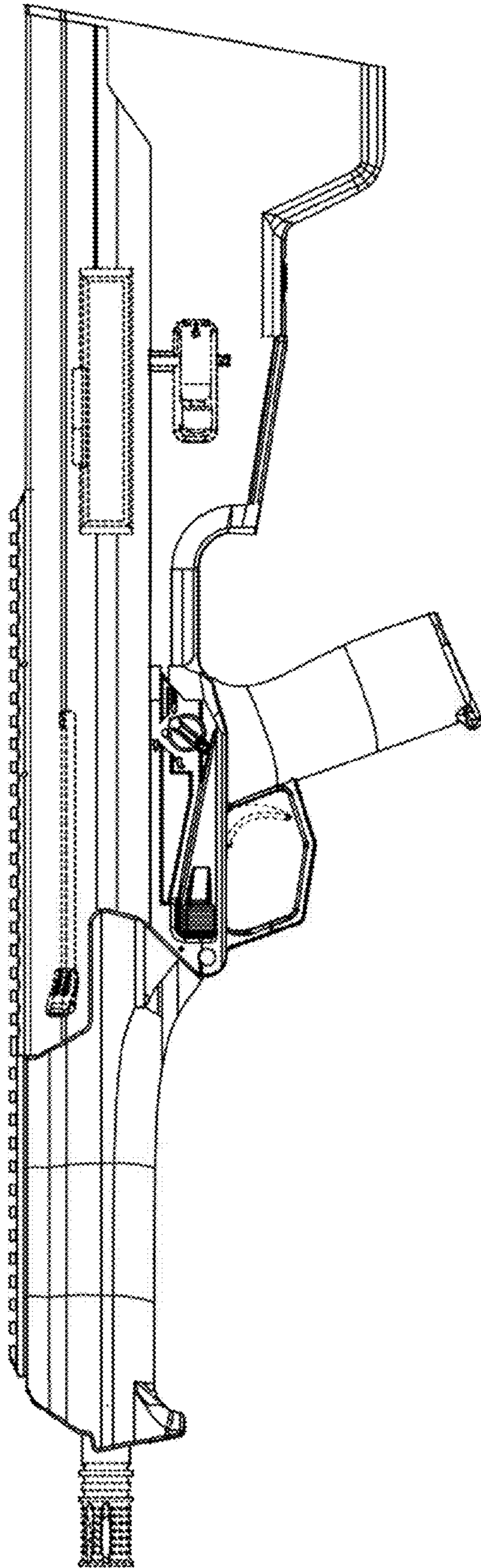


FIG. 5

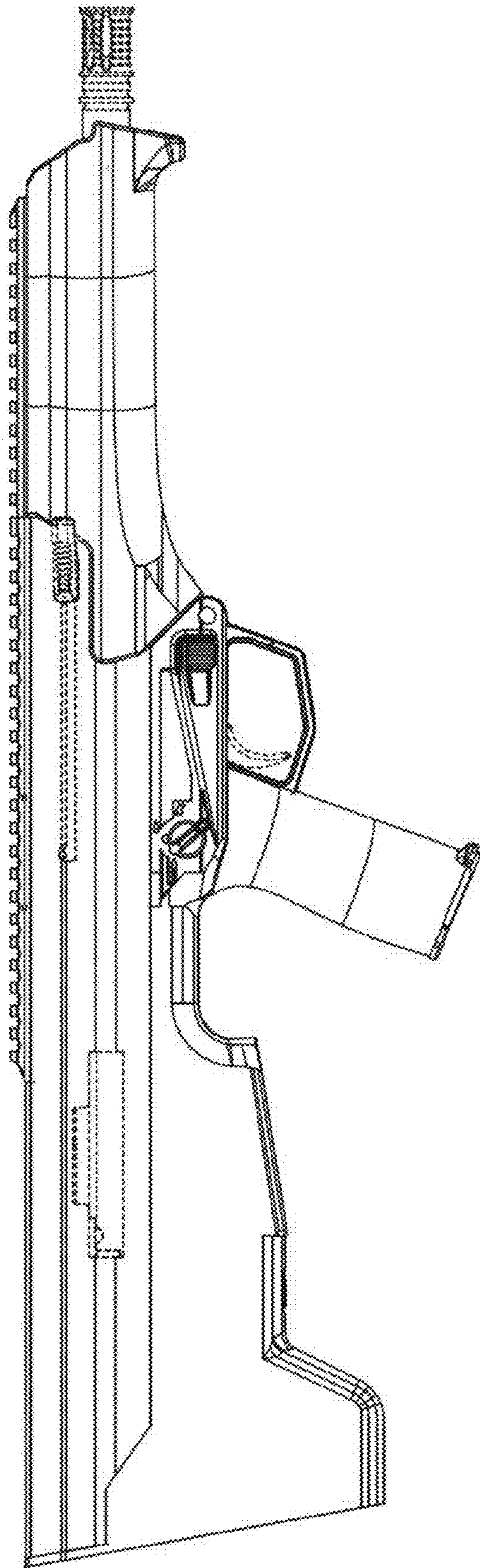


FIG. 6

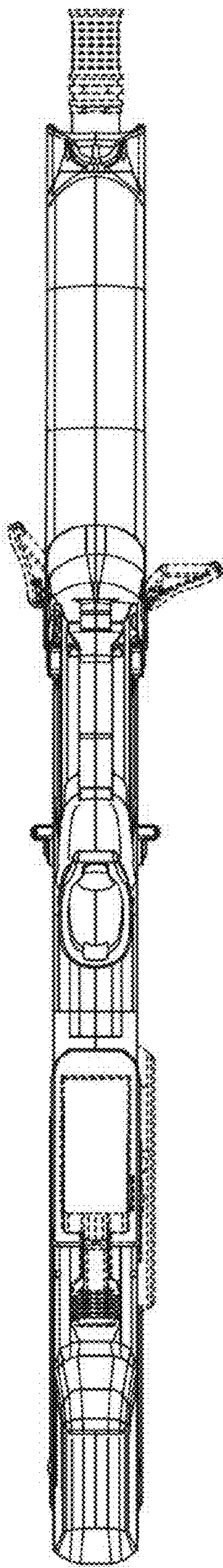


FIG. 7

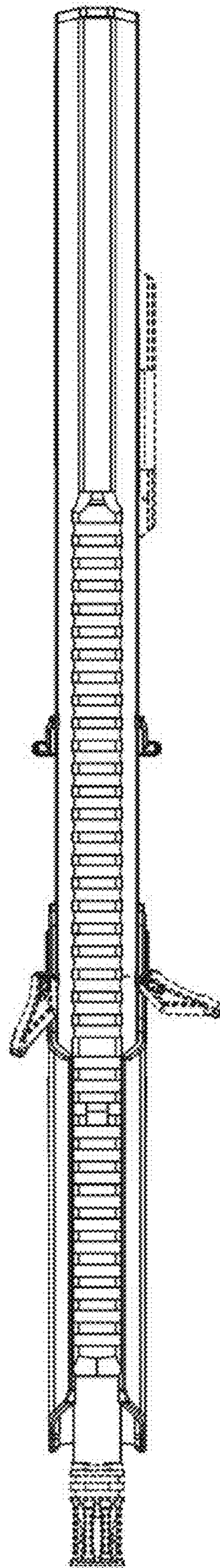


FIG. 8

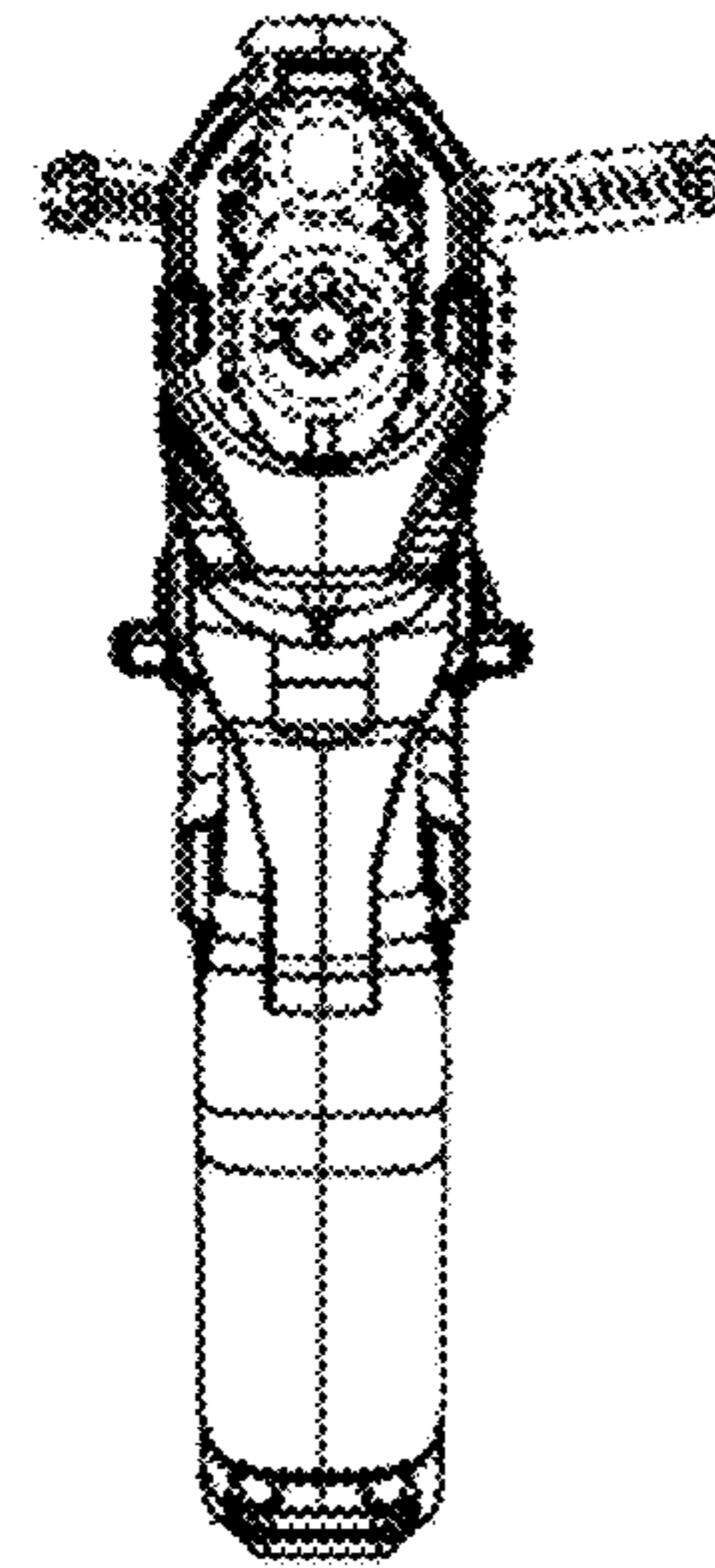


FIG. 9

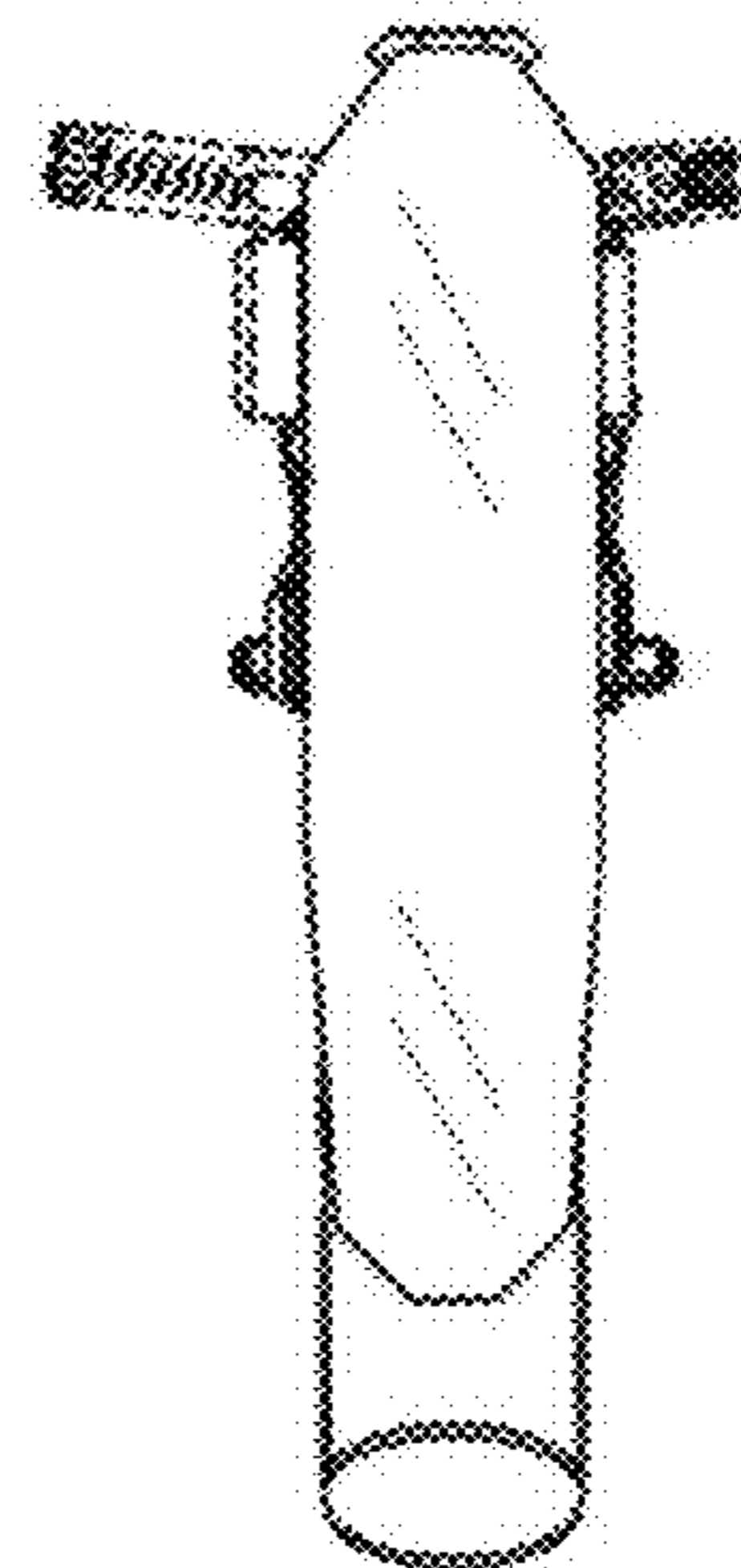


FIG. 10