



US00D750718S

(12) **United States Design Patent**  
**Stephens**

(10) **Patent No.:** **US D750,718 S**  
(45) **Date of Patent:** **\*\* Mar. 1, 2016**

(54) **GOLF PUTTING TRAINING DEVICE**

*Primary Examiner* — Mitchell Siegel

(71) Applicant: **Cliff Rylan Stephens**, Texarkana, TX  
(US)

(74) *Attorney, Agent, or Firm* — Grady K. Bergen; Griggs  
Bergen LLP

(72) Inventor: **Cliff Rylan Stephens**, Texarkana, TX  
(US)

(57) **CLAIM**

The ornamental design for a golf putting training device, as  
shown and described.

(\*\*) Term: **14 Years**

(21) Appl. No.: **29/511,919**

**DESCRIPTION**

(22) Filed: **Dec. 15, 2014**

(51) **LOC (10) Cl.** ..... **21-02**

(52) **U.S. Cl.**  
USPC ..... **D21/791**

(58) **Field of Classification Search**  
USPC ..... D21/789, 791  
CPC ..... A63B 69/3685; A63B 69/3632  
See application file for complete search history.

FIG. 1 is a front perspective view of a golf putting training  
device;

FIG. 2 is a front elevational view of the golf putting training  
device of FIG. 1;

FIG. 3 is a rear elevational view of the golf putting training  
device of FIG. 1;

FIG. 4 is a right side elevational view of the golf putting  
training device of FIG. 1, the unclaimed securing structure  
show in an open position;

FIG. 5 is a right side elevational view of the golf putting  
training device of FIG. 1, the unclaimed securing structure  
show in a fully closed position;

FIG. 6 is a left side elevational view of the golf putting  
training device of FIG. 1;

FIG. 7 is a top plan view of the golf putting training device of  
FIG. 1; and,

FIG. 8 is a bottom plan view of the golf putting training device  
of FIG. 1.

The broken lines are included for the purpose of illustrating  
portions of the golf putter and portions of the golf putting  
training device that form no part of the claimed design.

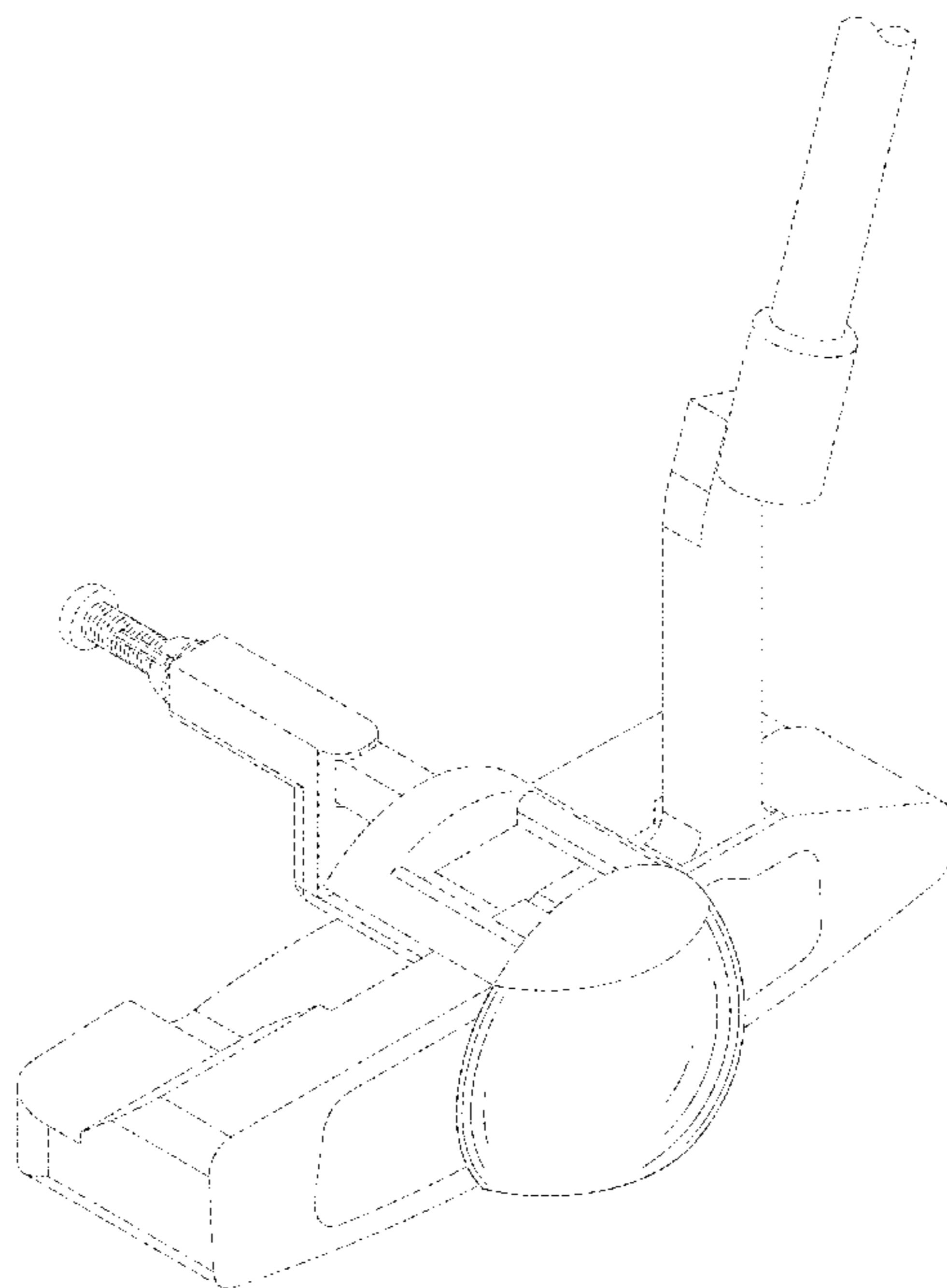
(56) **References Cited**

U.S. PATENT DOCUMENTS

5,240,253	A *	8/1993	Cooper	473/236
D353,178	S *	12/1994	Koleoglou	D21/759
6,780,119	B1 *	8/2004	Gankas	473/236
6,821,212	B2 *	11/2004	Fowler et al.	473/236
7,041,004	B2 *	5/2006	Engdahl	473/340
D583,888	S *	12/2008	Nehrbas	D21/759
D667,070	S *	9/2012	Balyeat	D21/791
2002/0177486	A1 *	11/2002	Lazier et al.	473/236
2003/0134686	A1 *	7/2003	Arkley et al.	473/236
2006/0135278	A1 *	6/2006	Lee	473/236

\* cited by examiner

**1 Claim, 4 Drawing Sheets**



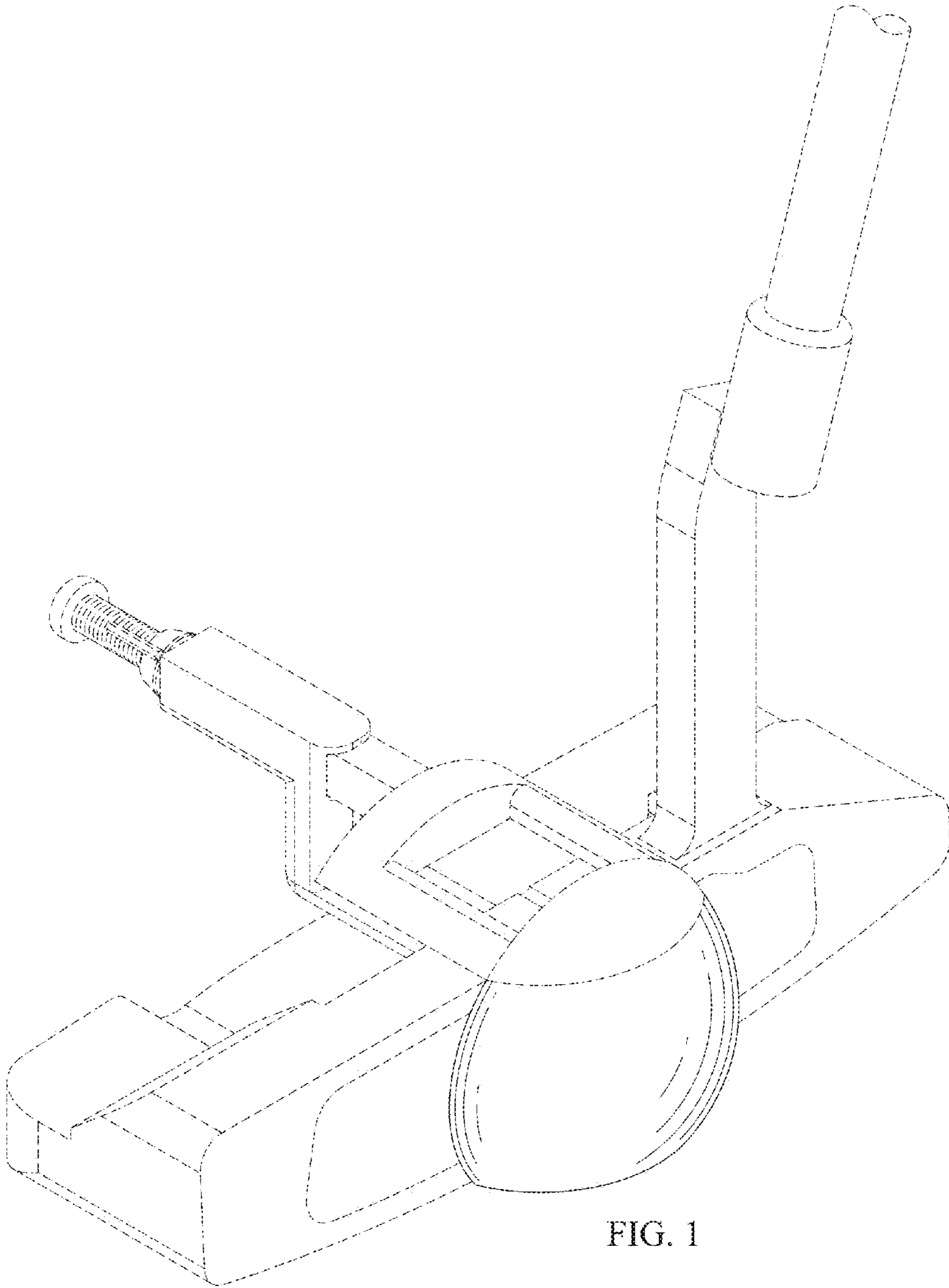


FIG. 1

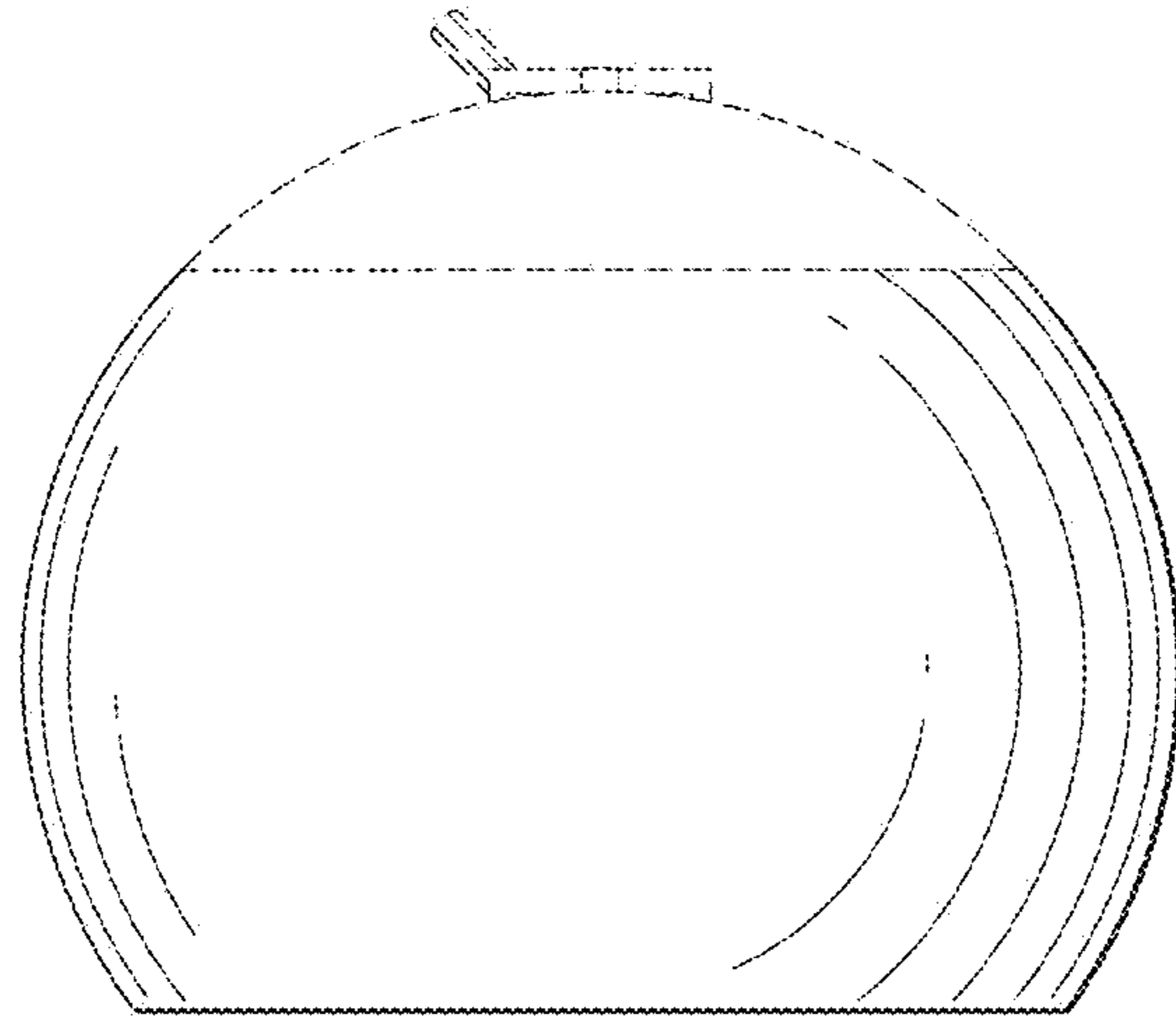


FIG. 2

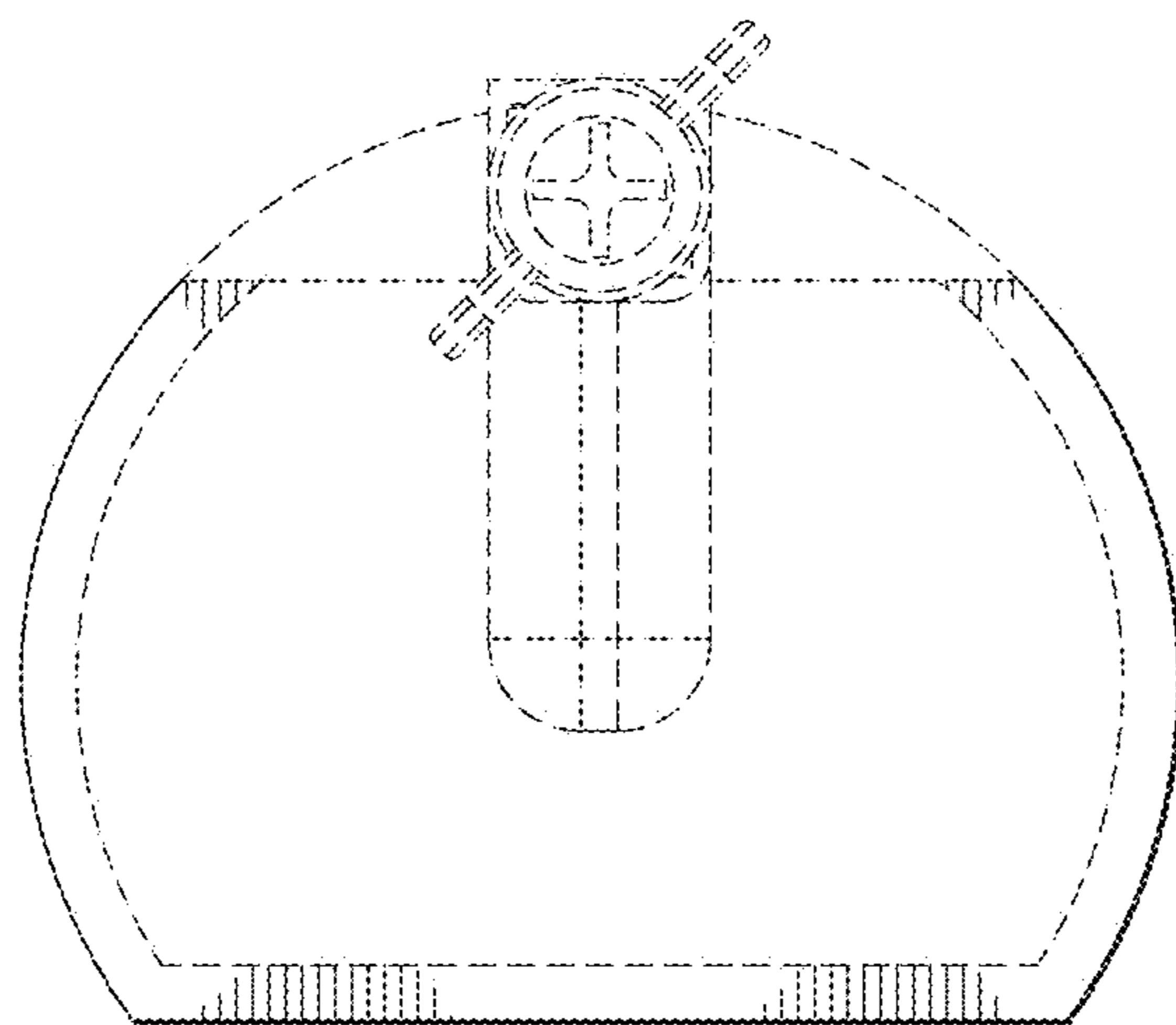


FIG. 3

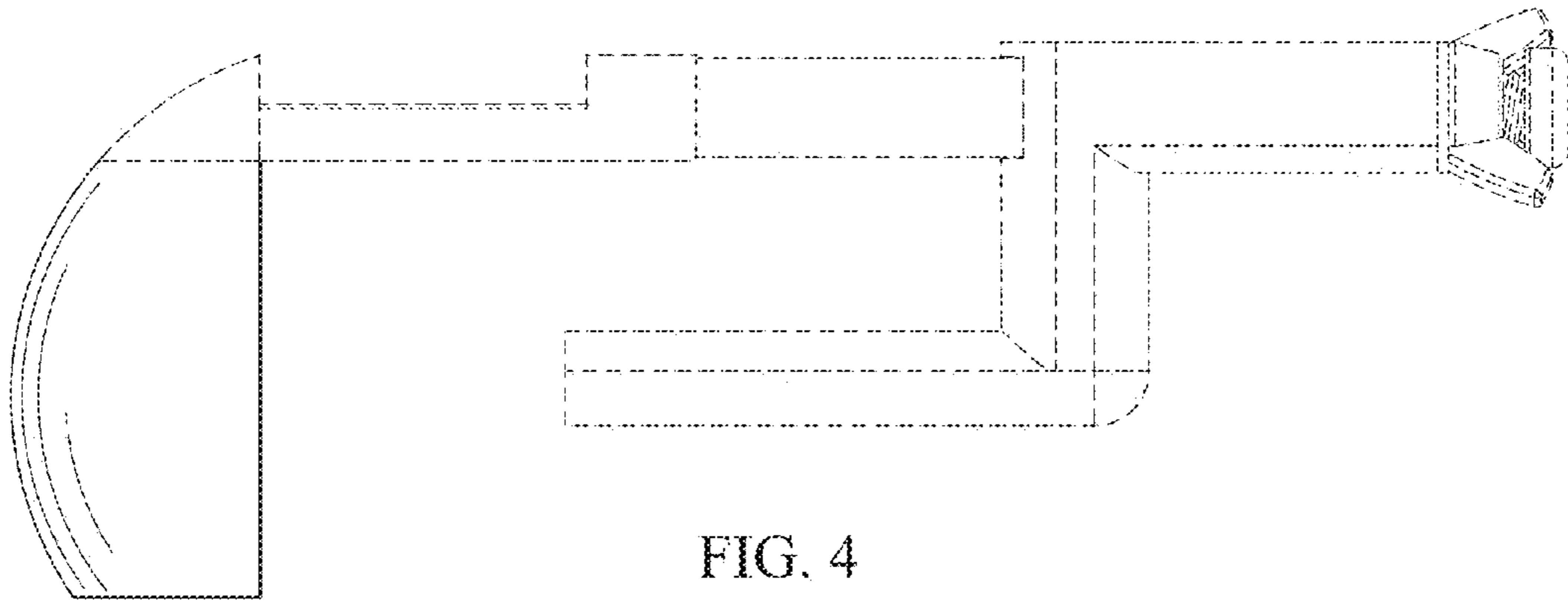


FIG. 4

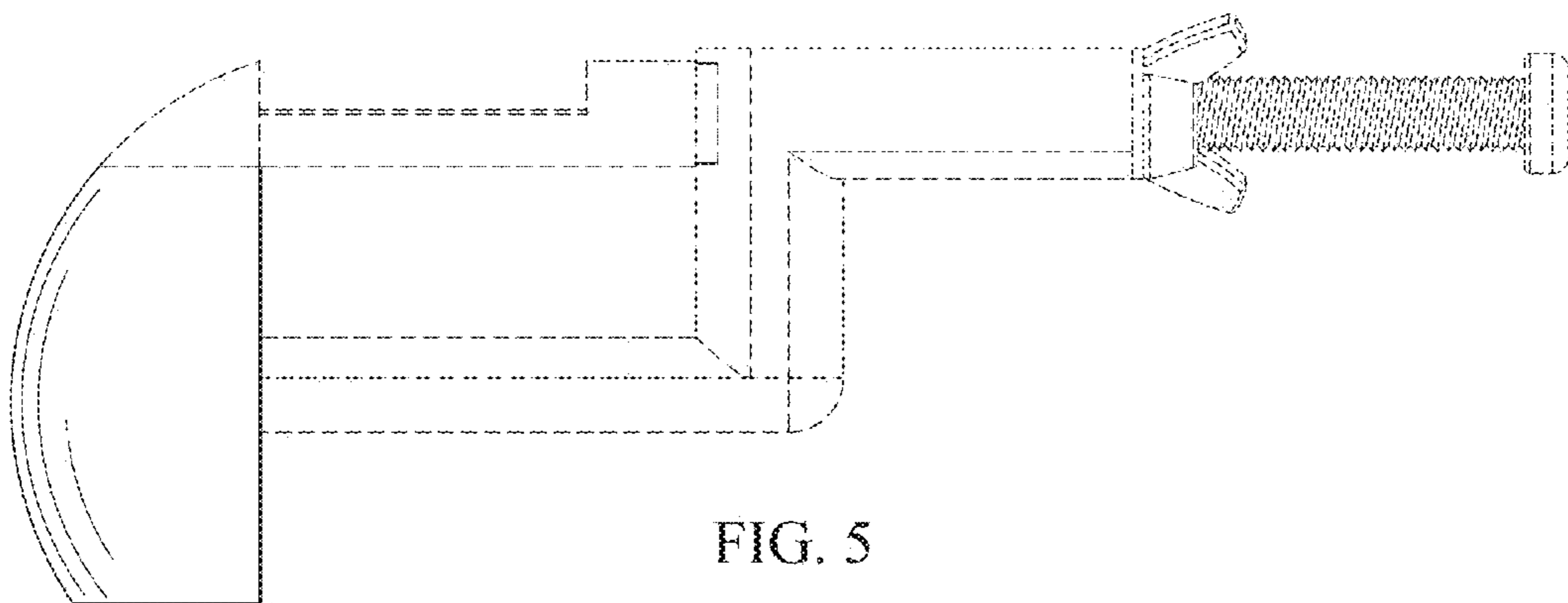


FIG. 5

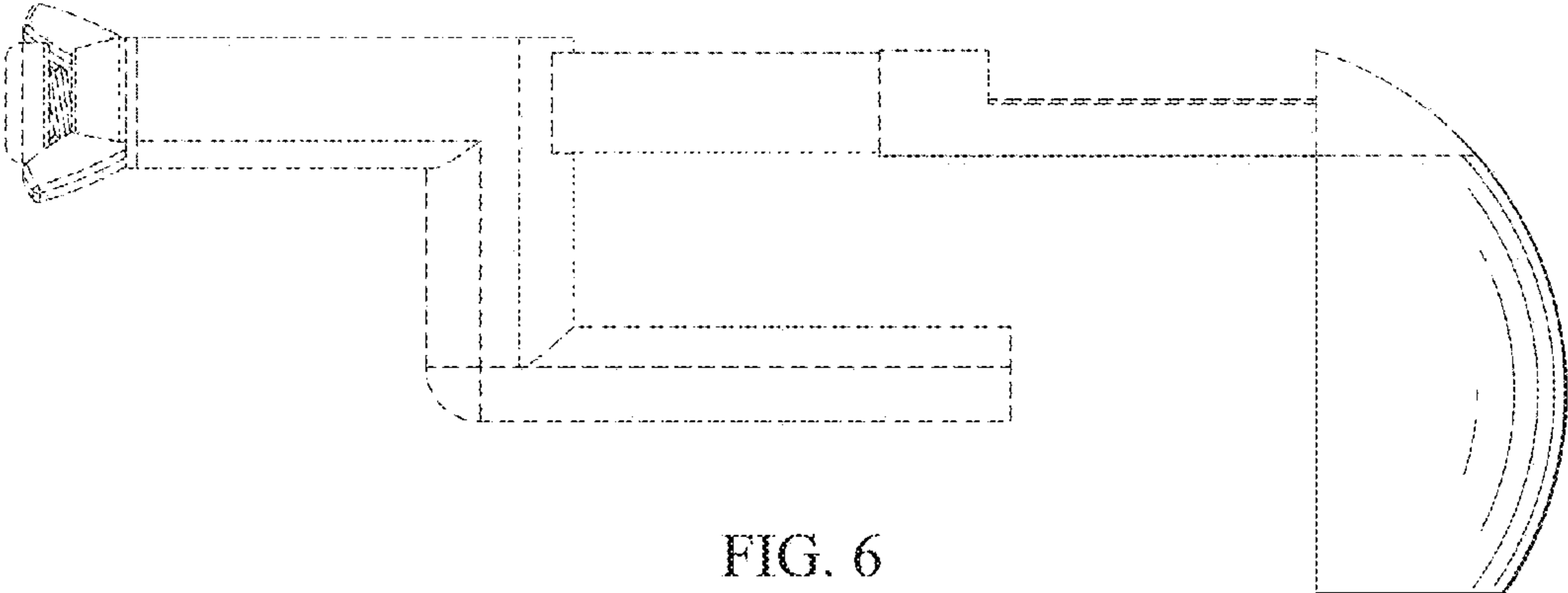


FIG. 6

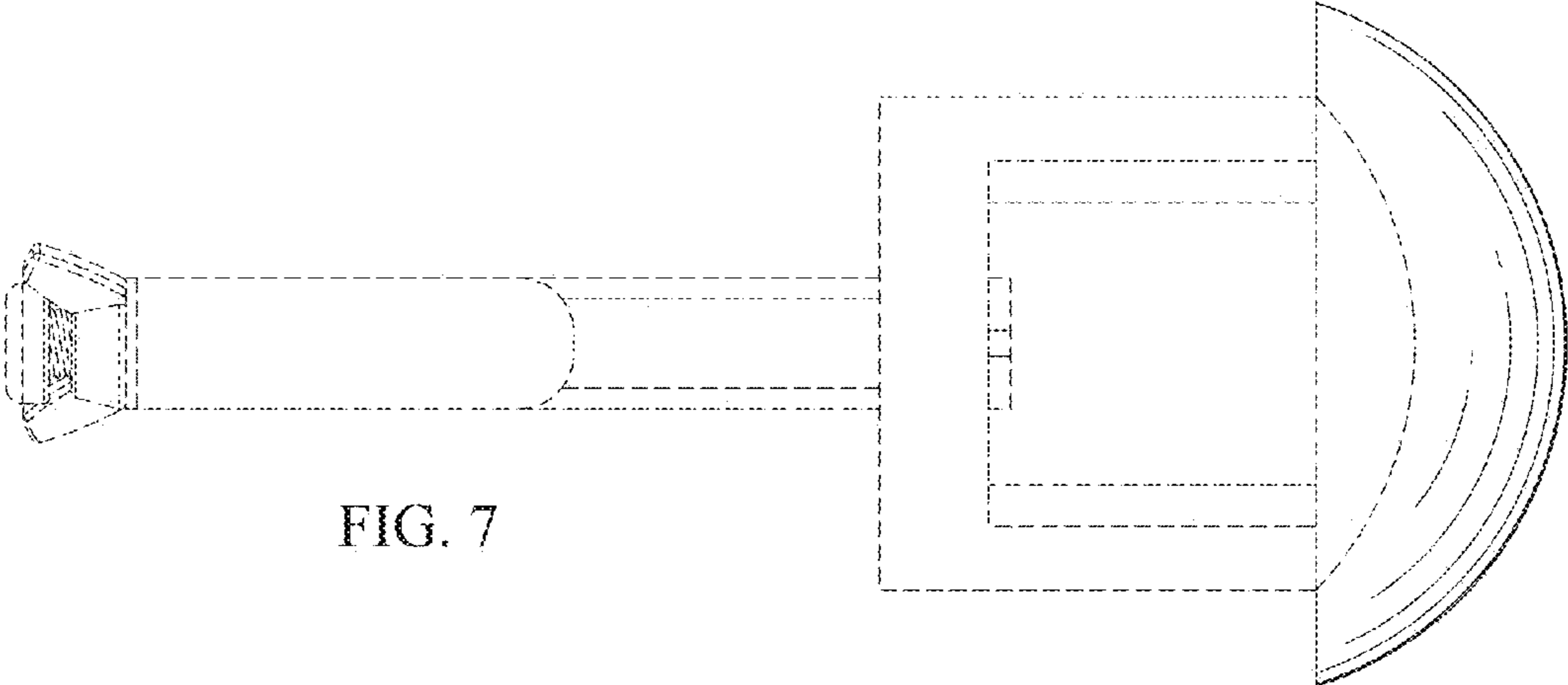


FIG. 7

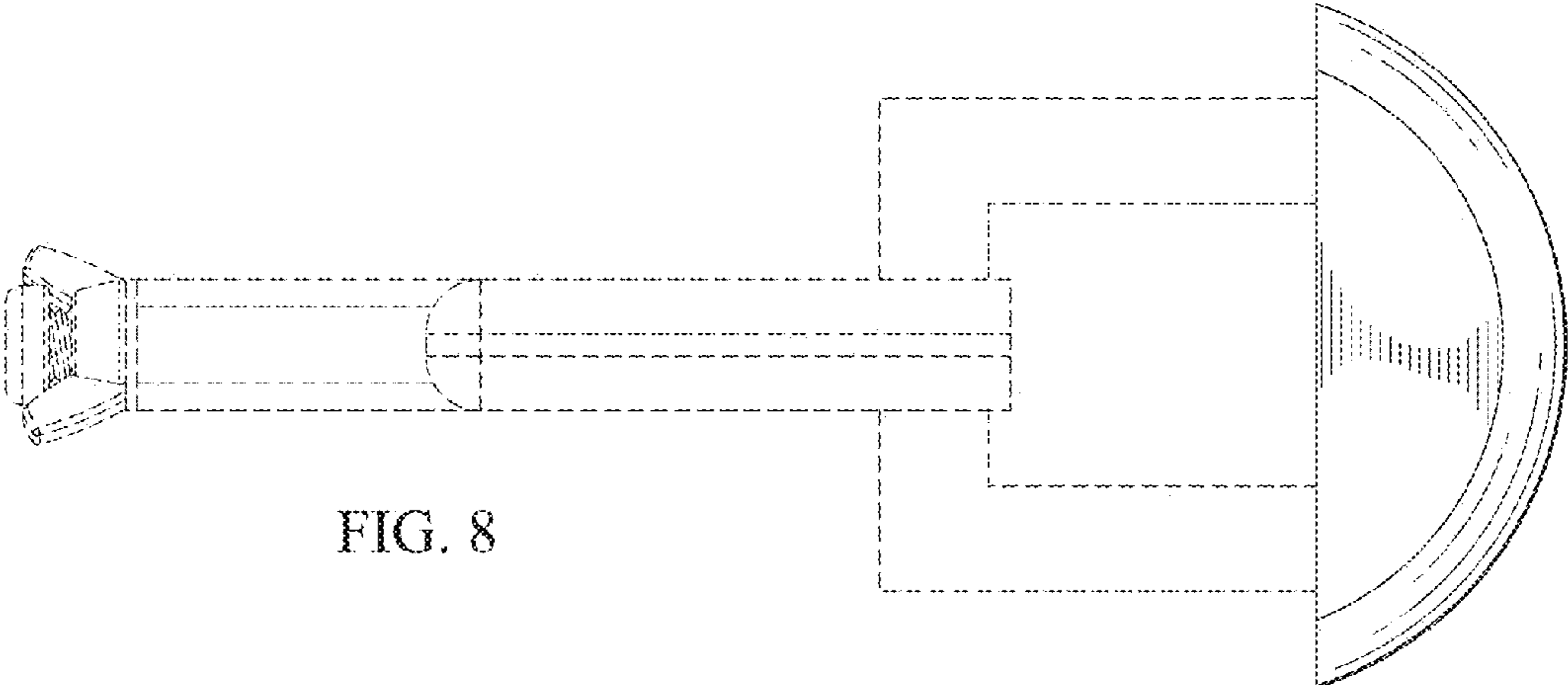


FIG. 8