



US00D750716S

(12) **United States Design Patent**
Pouliot

(10) **Patent No.:** **US D750,716 S**
(45) **Date of Patent:** **** Mar. 1, 2016**

(54) **RESISTANCE BAND**

(71) Applicant: **Thomas Paul Pouliot**, Huntington Beach, CA (US)

(72) Inventor: **Thomas Paul Pouliot**, Huntington Beach, CA (US)

(**) Term: **14 Years**

(21) Appl. No.: **29/506,925**

(22) Filed: **Oct. 22, 2014**

(51) **LOC (10) Cl.** **21-02**

(52) **U.S. Cl.**
USPC **D21/692**

(58) **Field of Classification Search**
USPC D2/502, 900, 627; D21/692, 662, 684; D29/100, 101.5; D30/153; D24/190; D3/218; 602/27, 16, 65, 4, 23; 482/124, 139, 123, 126, 106, 121, 904, 482/91, 148, 907, 92, 125, 129, 49, 55, 93; 405/186, 185; 224/664, 934, 577, 236, 224/576, 586, 683, 666, 240, 660, 677, 901, 224/901.4, 901.8, 911, 681, 662, 910, 930; 2/322, 338, 920, 237, 312, 1, 311, 84, 2/87, 93, 660, 680, 94, 308, 321, 221; 128/95.1, 875, 882, 876; 36/140, 50.1, 36/89

CPC A63B 21/0552; A63B 21/0442; A63B 21/0557; A63B 2208/0204; A63B 21/0555; A63B 21/0004; A63B 21/00061; A63B 21/00069; A63B 21/4025; A63B 21/4035; Y10S 482/907; A61H 1/0244; A61H 1/0266; A61H 2001/0248; A61H 2201/1215

See application file for complete search history.

(56) **References Cited**
U.S. PATENT DOCUMENTS

1,374,177 A * 4/1921 Barry A61F 5/05841
602/16

3,345,067 A * 10/1967 Smith A63B 21/04
482/121

3,838,852 A * 10/1974 Gury A63B 21/0004
482/125

3,938,720 A * 2/1976 Vela A45C 1/06
224/222

4,014,327 A * 3/1977 Spiro A61F 13/108
473/213

4,200,281 A * 4/1980 Wang A63B 21/0004
482/123

4,570,929 A * 2/1986 Shoemaker A63B 21/0004
112/413

D311,232 S * 10/1990 Drennan D21/692

D334,429 S * 3/1993 Dismuke D24/183

D343,479 S * 1/1994 Brown D29/120.1

5,295,949 A * 3/1994 Hathaway A61F 5/055
482/10

D353,172 S * 12/1994 Gaut D21/692

5,395,117 A * 3/1995 Ogden A63B 69/0059
473/214

D373,750 S * 9/1996 Gunderson D12/133

5,573,487 A * 11/1996 Wallner A63B 21/0004
482/122

5,711,747 A * 1/1998 Steinback A63B 21/0004
482/122

D396,077 S * 7/1998 Heine D21/662

D396,787 S * 8/1998 Farnan D8/29

5,848,956 A * 12/1998 Grettner A63F 5/3738
482/140

(Continued)

Primary Examiner — Robert M Spear
Assistant Examiner — Ryan Harvey

(57) **CLAIM**

The ornamental design for a resistance band, as shown and described.

DESCRIPTION

FIG. 1 is a perspective view of an resistance band, illustrated in use;

FIG. 2 is a front perspective view of the resistance band;

FIG. 3 is a front elevation view of the resistance band;

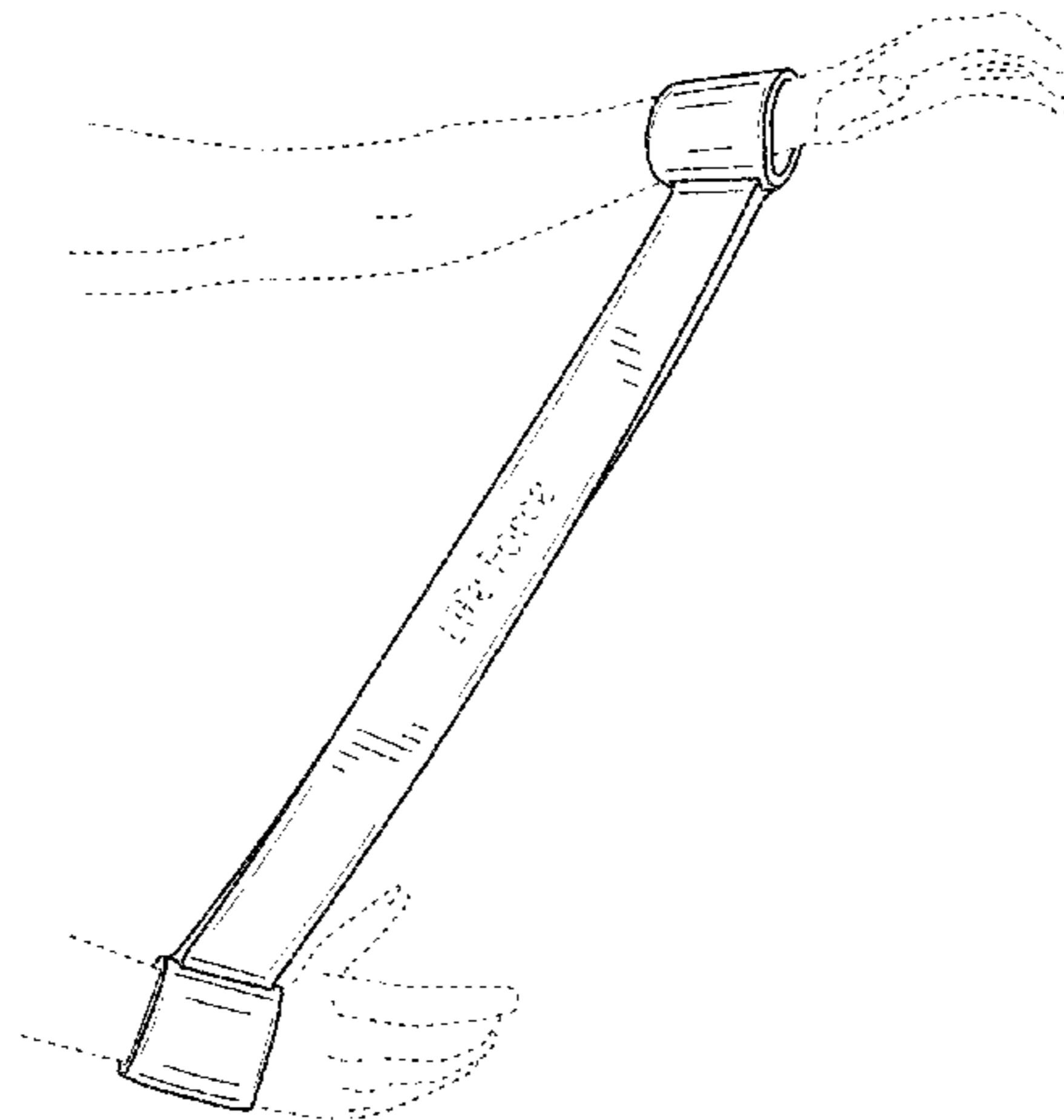
FIG. 4 is a rear elevation view of the resistance band;

FIG. 5 is a left side elevation view of the resistance band; the right side elevation view being a mirror image thereof; and,

FIG. 6 is a top plan view of the resistance band; the bottom plan view being a mirror image thereof.

The broken lines shown in the drawings illustrate environment and portions of the resistance band that form no part of the claimed design.

1 Claim, 4 Drawing Sheets



(56)

References Cited

U.S. PATENT DOCUMENTS

5,865,695 A * 2/1999 Mahala A63B 69/0071
473/450
D437,623 S * 2/2001 Ormsby D21/662
D449,136 S * 10/2001 Vallance D29/100
6,447,037 B1 * 9/2002 Crouch B65D 33/14
294/149
D509,065 S * 9/2005 Koenig D3/327
D566,797 S * 4/2008 Yewdall D21/662
D616,951 S * 6/2010 Imamura D21/692

D622,403 S * 8/2010 Arbesman D24/189
D630,332 S * 1/2011 Richards D24/190
D642,644 S * 8/2011 Cutler D21/771
D642,792 S * 8/2011 Tremblay D3/218
8,118,719 B1 * 2/2012 Stassi A63B 21/0555
482/124
D684,962 S * 6/2013 Linhardt D14/253
D687,692 S * 8/2013 Chen D8/28
8,771,155 B1 * 7/2014 Bell A63B 69/0059
482/124
D712,555 S * 9/2014 Berg D24/190

* cited by examiner

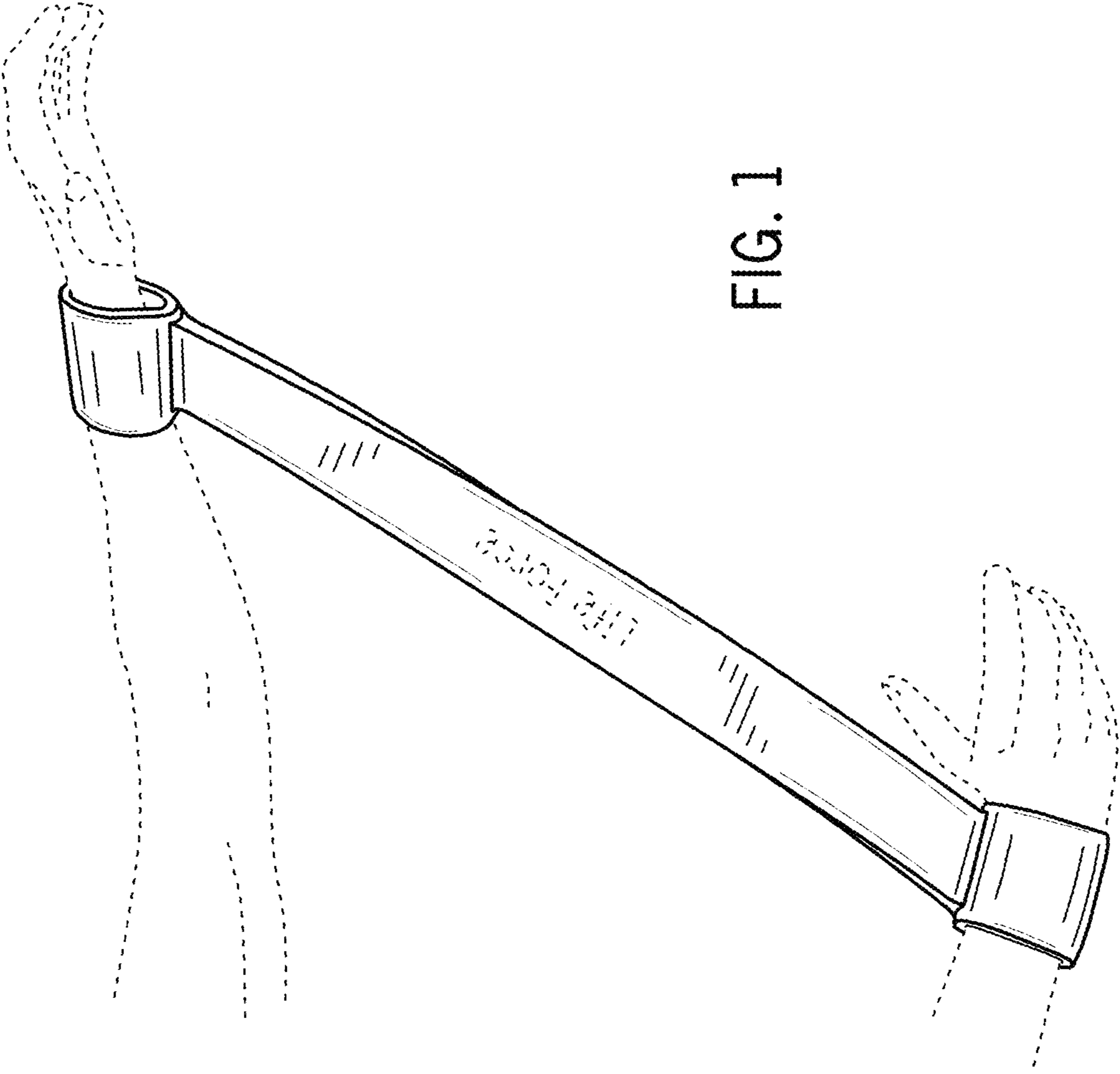


FIG. 1

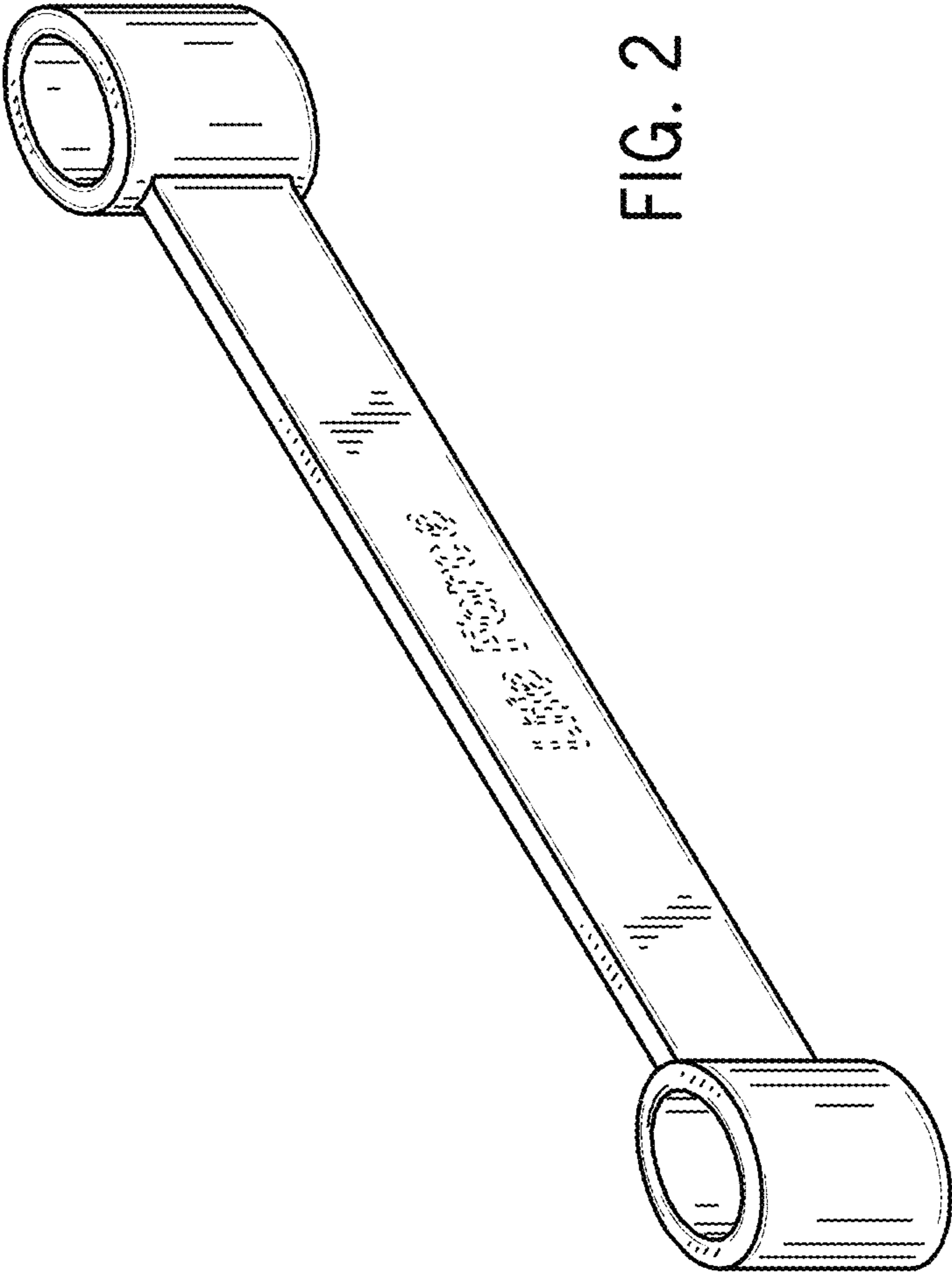


FIG. 2

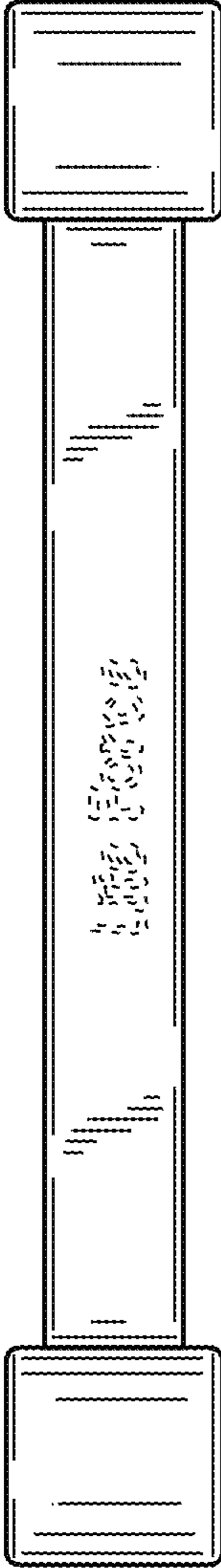


FIG. 3

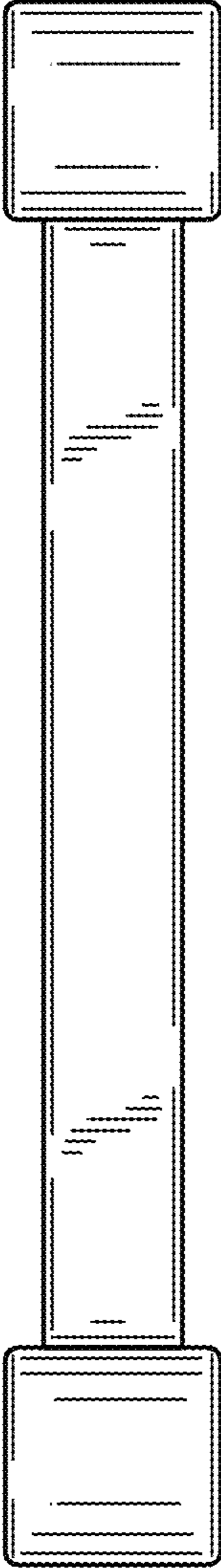


FIG. 4

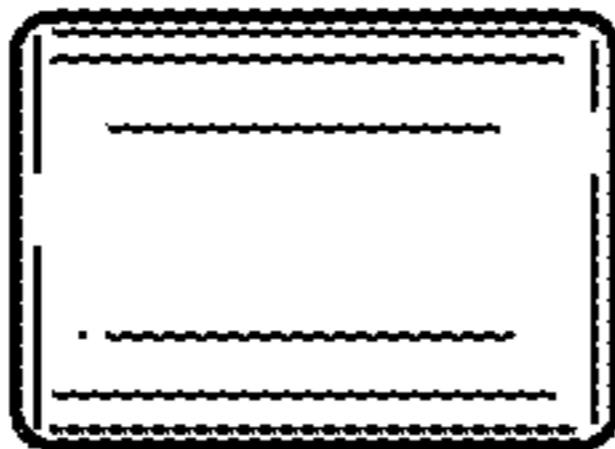


FIG. 5

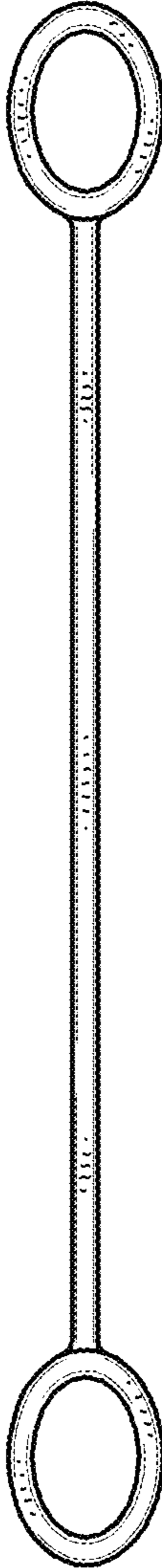


FIG. 6