



US00D750711S

(12) **United States Design Patent**
Delgatty

(10) **Patent No.:** **US D750,711 S**
(45) **Date of Patent:** **** Mar. 1, 2016**

- (54) **MOTORIZED SCOOTER**
- (71) Applicant: **URBAN626, LLC**, Agoura Hills, CA (US)
- (72) Inventor: **Grant Delgatty**, Agoura Hills, CA (US)
- (73) Assignee: **URBAN626, LLC**, Pasadena, CA (US)
- (**) Term: **15 Years**
- (21) Appl. No.: **29/528,446**
- (22) Filed: **May 28, 2015**

D466,839 S *	12/2002	Ou	D12/110
6,588,787 B2 *	7/2003	Ou	B62K 15/008 180/220
D483,821 S *	12/2003	Yang	D12/112
D487,908 S *	3/2004	Mayer	D21/423
D503,362 S *	3/2005	Zhu	D12/111
6,986,522 B2 *	1/2006	Sinclair	B62K 15/006 280/278
D522,076 S *	5/2006	Casey	D21/423
D586,265 S *	2/2009	Lin	D12/111
D641,667 S *	7/2011	Ryan	D12/111
D650,724 S *	12/2011	Chiang	D12/111
D654,403 S *	2/2012	Kyu	D12/111
D668,586 S *	10/2012	Golias	D12/111
D726,592 S *	4/2015	Zhang	D12/107
2005/0035570 A1 *	2/2005	Chu	B62K 15/006 280/278

Related U.S. Application Data

- (62) Division of application No. 29/495,831, filed on Jul. 3, 2014, now Pat. No. Des. 735,813.
- (51) **LOC (10) Cl.** **21-01**
- (52) **U.S. Cl.**
USPC **D21/423**
- (58) **Field of Classification Search**
USPC D21/419, 421, 423, 426-428, 435,
D21/668-671, 760, 765, 771; D12/1, 8,
D12/108, 111, 112, 113
CPC B62K 3/002; B62K 9/00; B62K 9/02;
B62K 13/00; B62K 2202/00
See application file for complete search history.

(56) **References Cited**

U.S. PATENT DOCUMENTS

3,486,765 A *	12/1969	Turner	B62K 15/00 280/278
4,653,767 A *	3/1987	Gajewski	B62K 13/00 280/278
D338,433 S *	8/1993	Crooks, Sr.	D12/112

* cited by examiner

Primary Examiner — Cynthia M Chin

(74) *Attorney, Agent, or Firm* — KPPB LLP

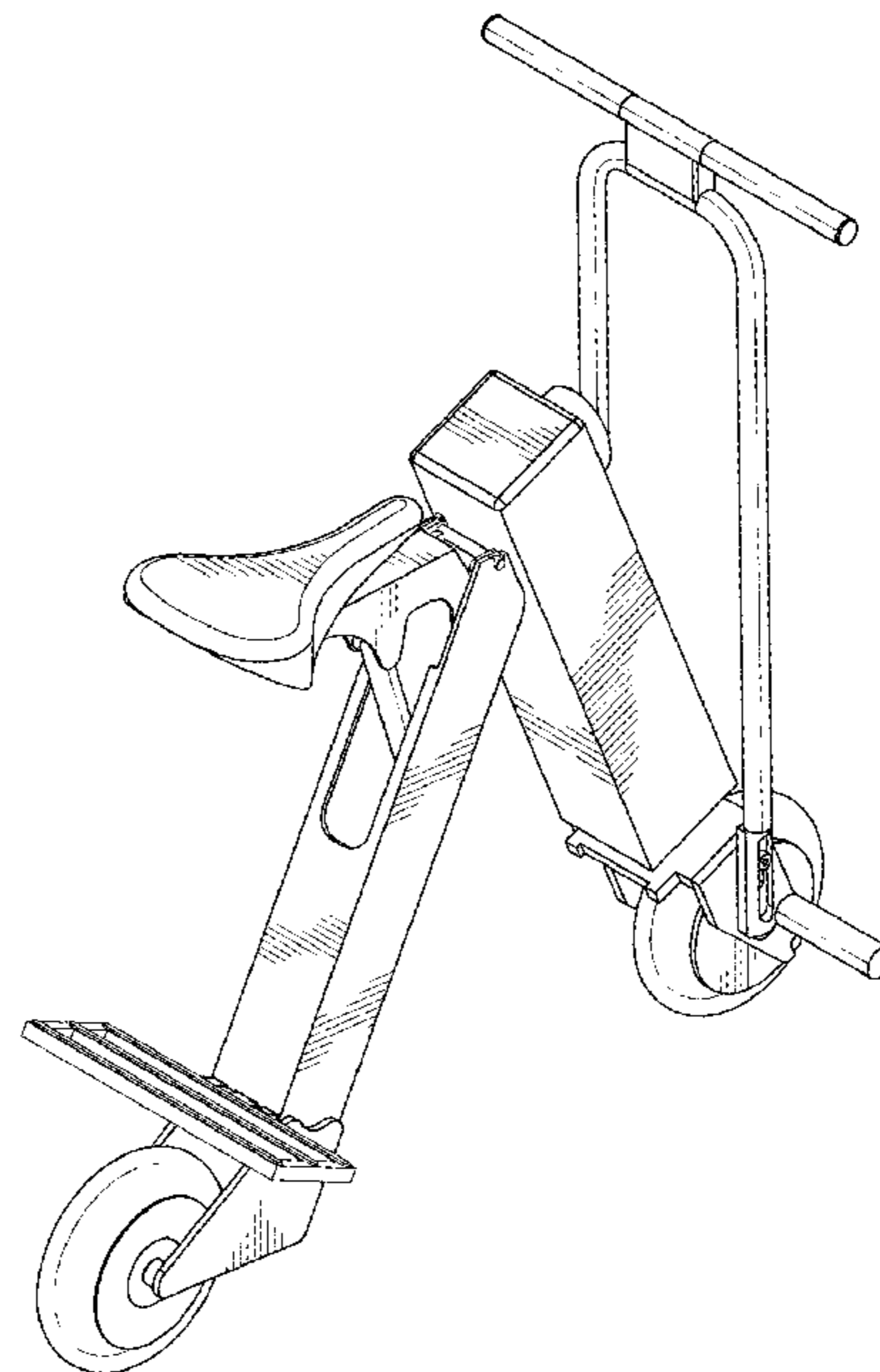
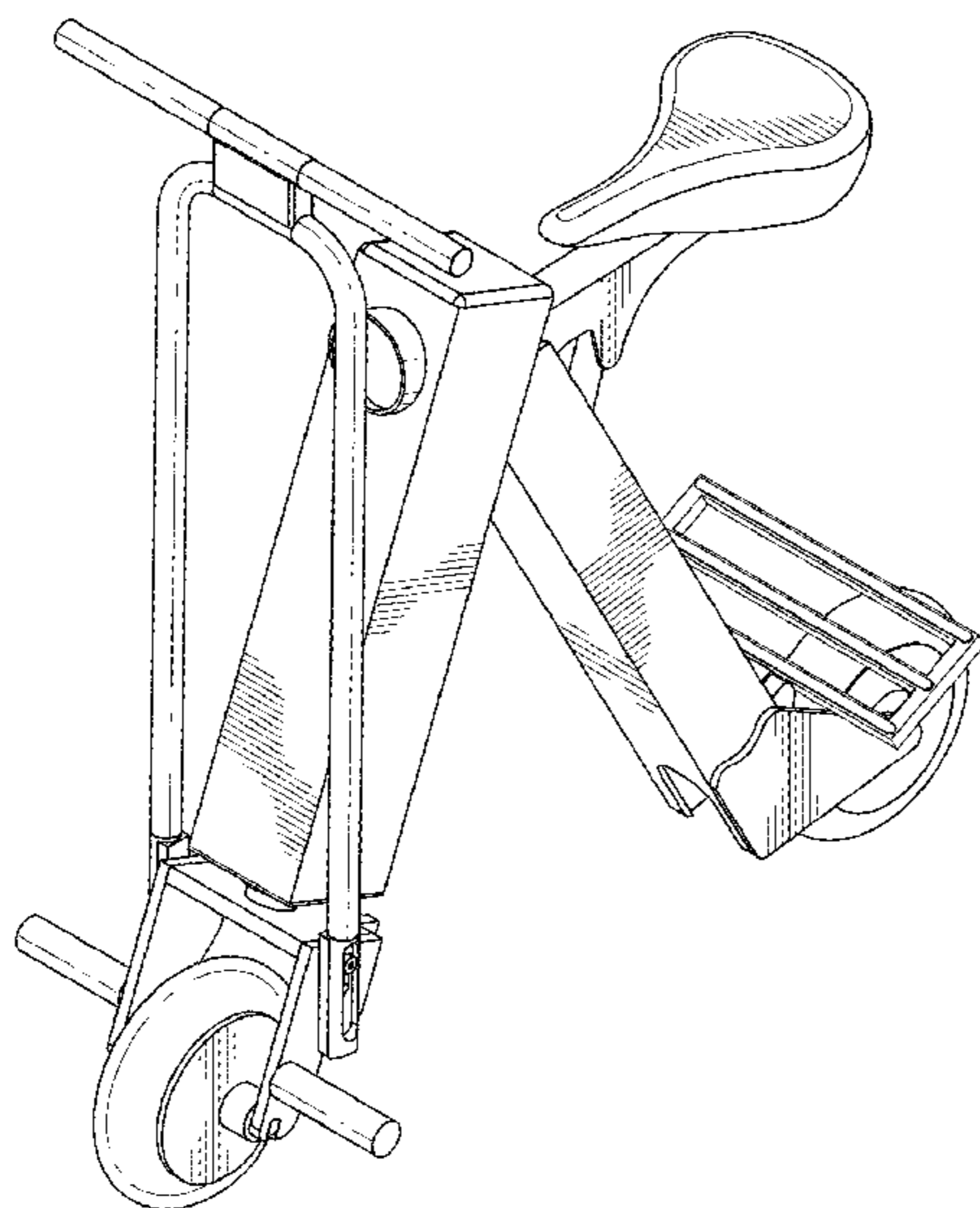
(57) **CLAIM**

The ornamental design for a motorized scooter, as shown and described.

DESCRIPTION

FIG. 1 is a front perspective view of a motorized scooter in accordance with a first embodiment of our design;
 FIG. 2 is a rear perspective view thereof;
 FIG. 3 is a first side view thereof;
 FIG. 4 is a second side view thereof;
 FIG. 5 is a front view thereof;
 FIG. 6 is rear view thereof;
 FIG. 7 is a top view thereof; and,
 FIG. 8 is a bottom view thereof.

1 Claim, 5 Drawing Sheets



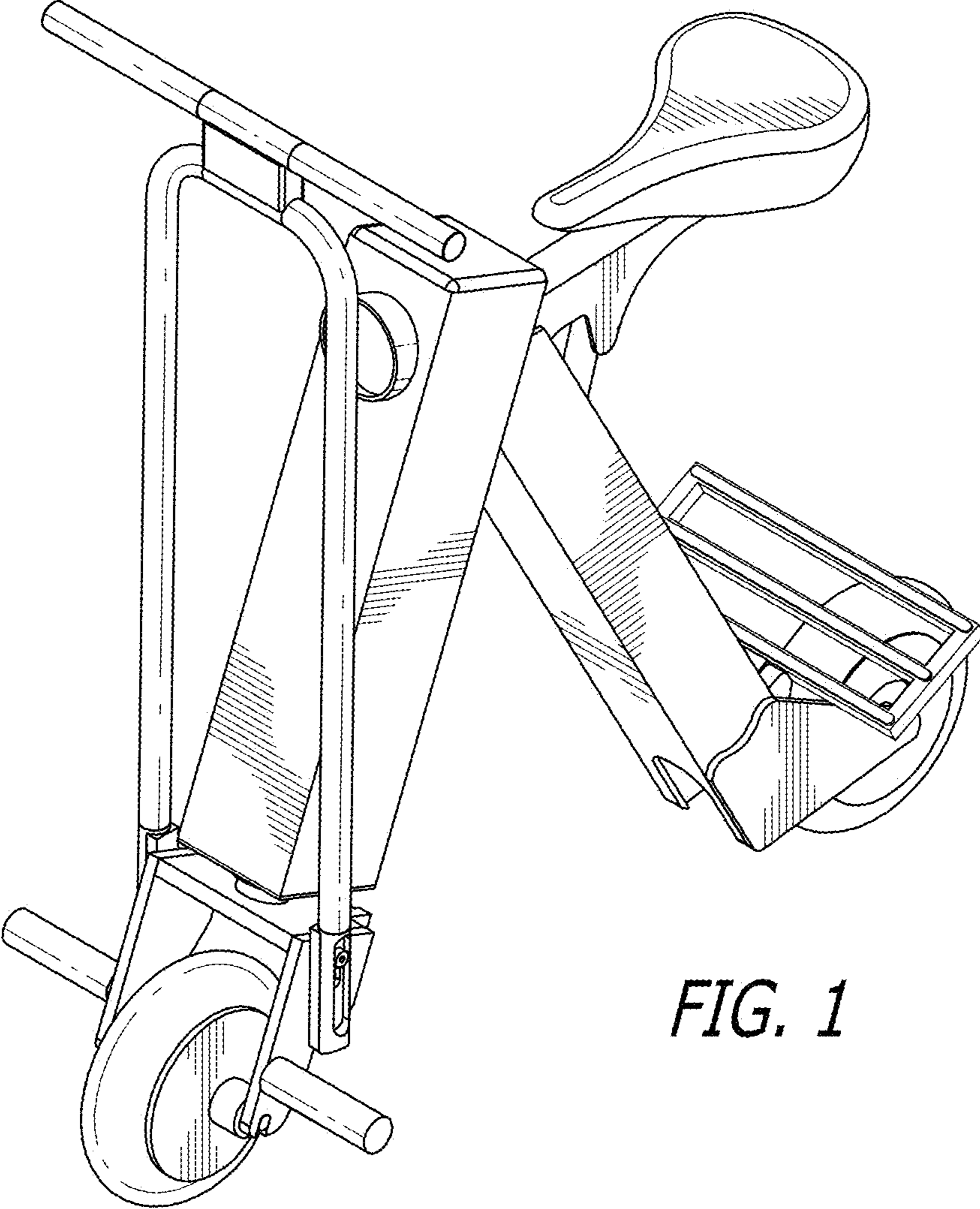


FIG. 1

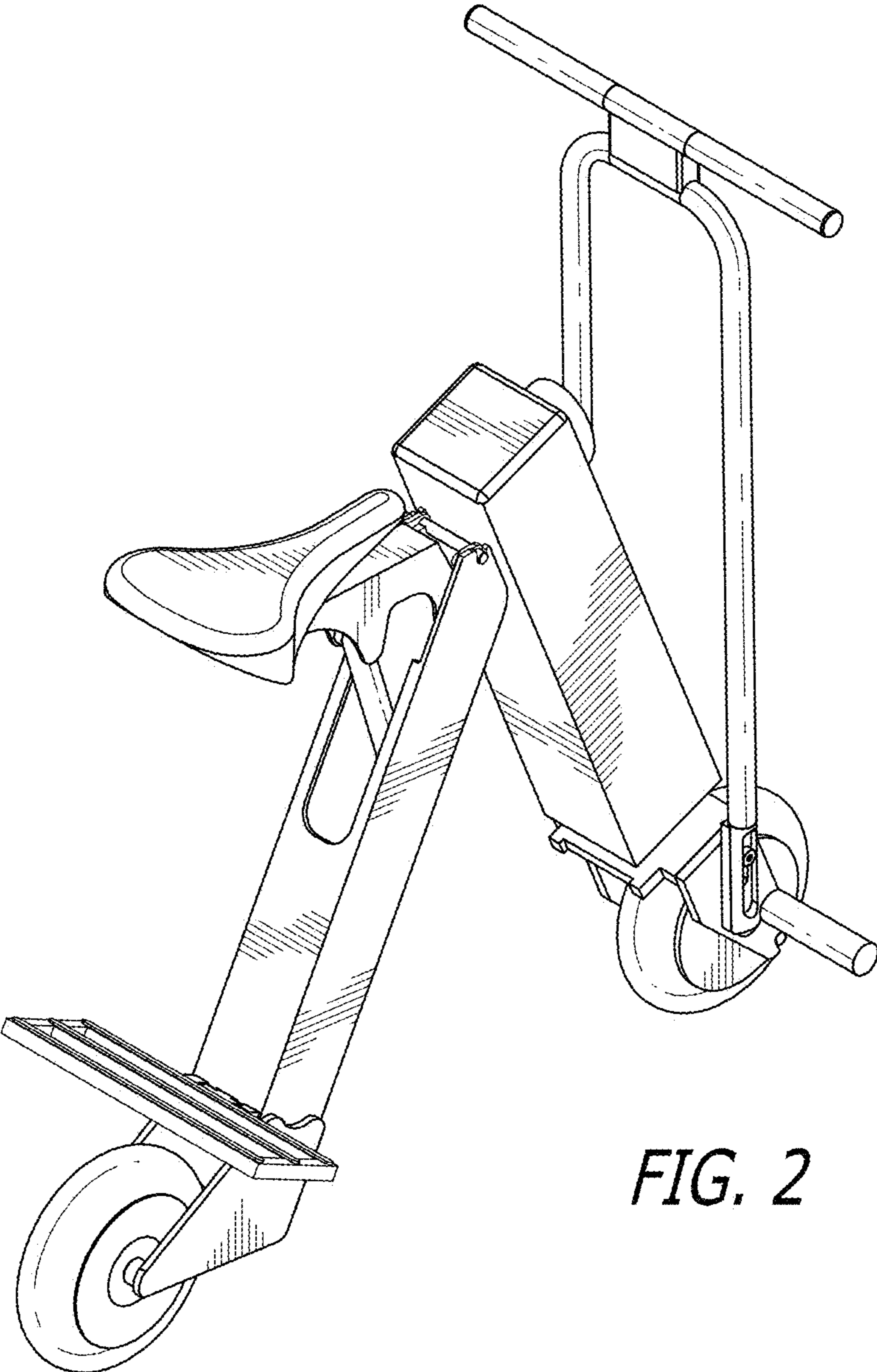
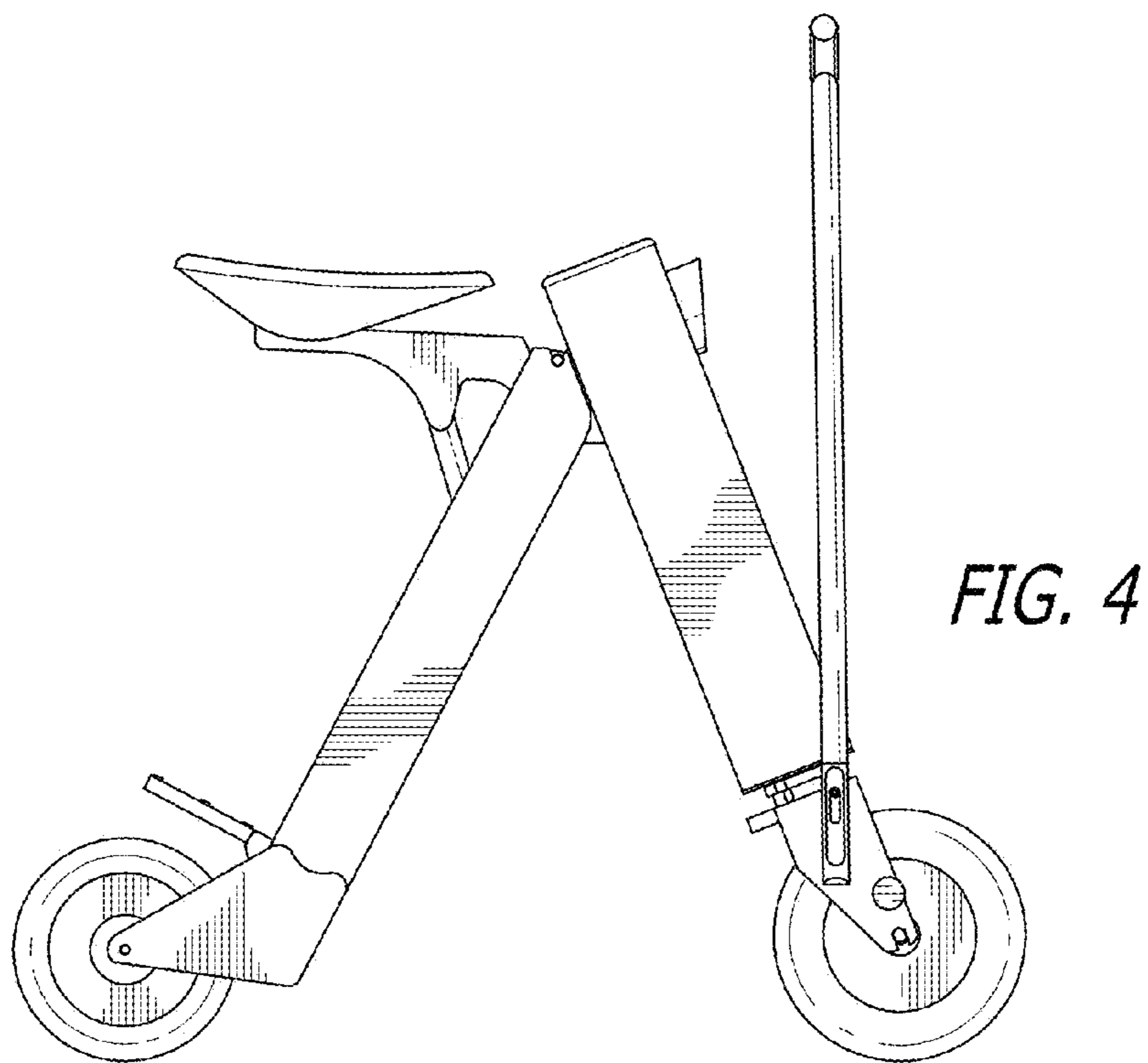
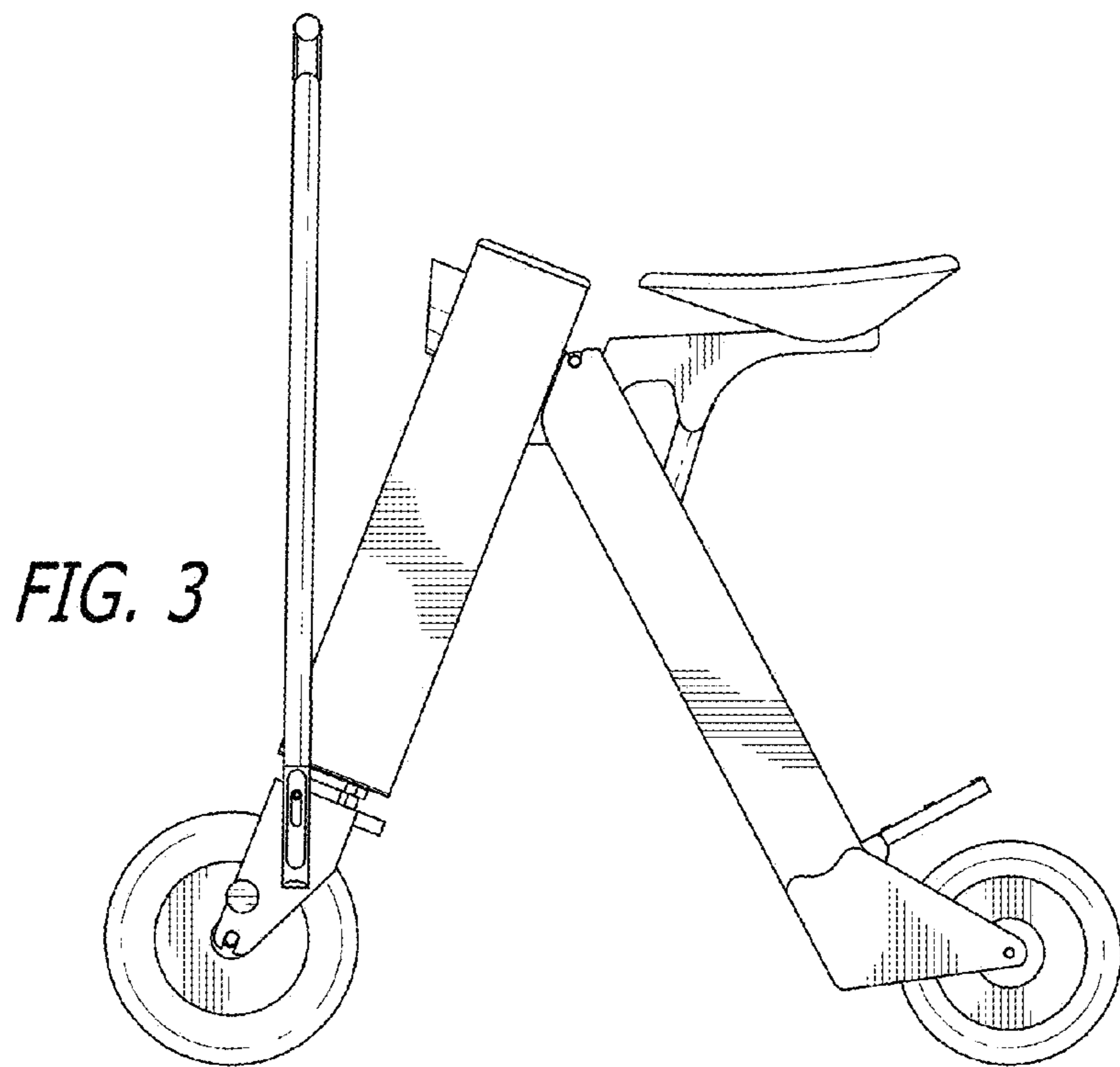


FIG. 2



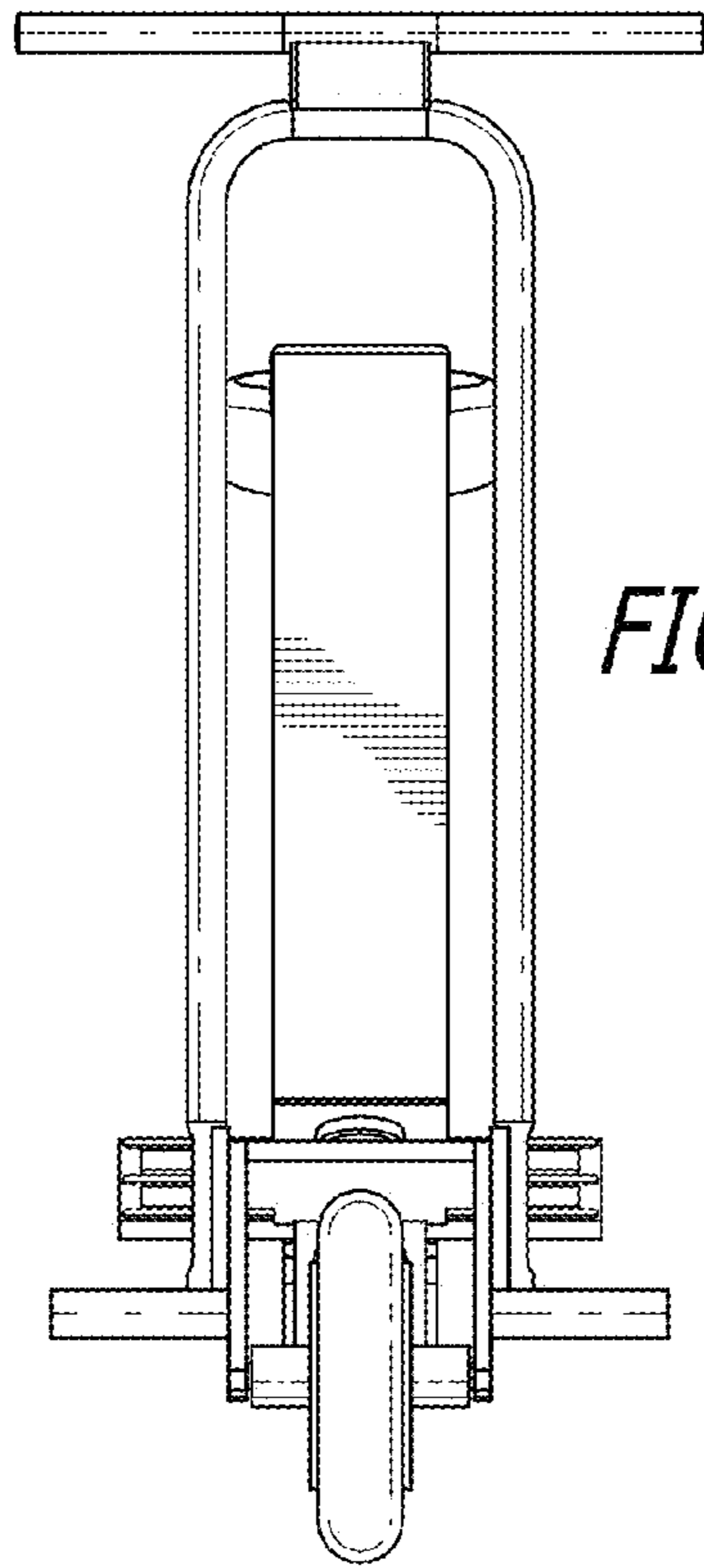


FIG. 5

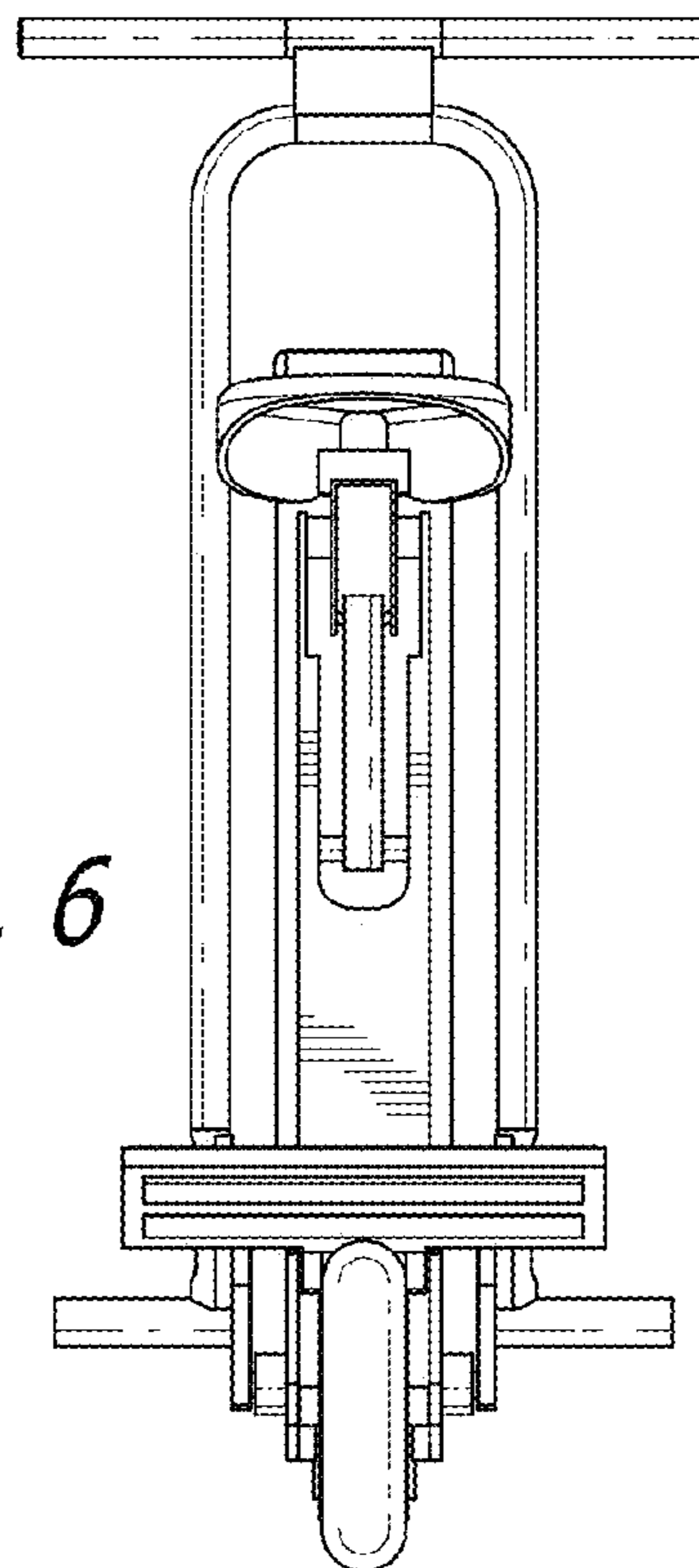


FIG. 6

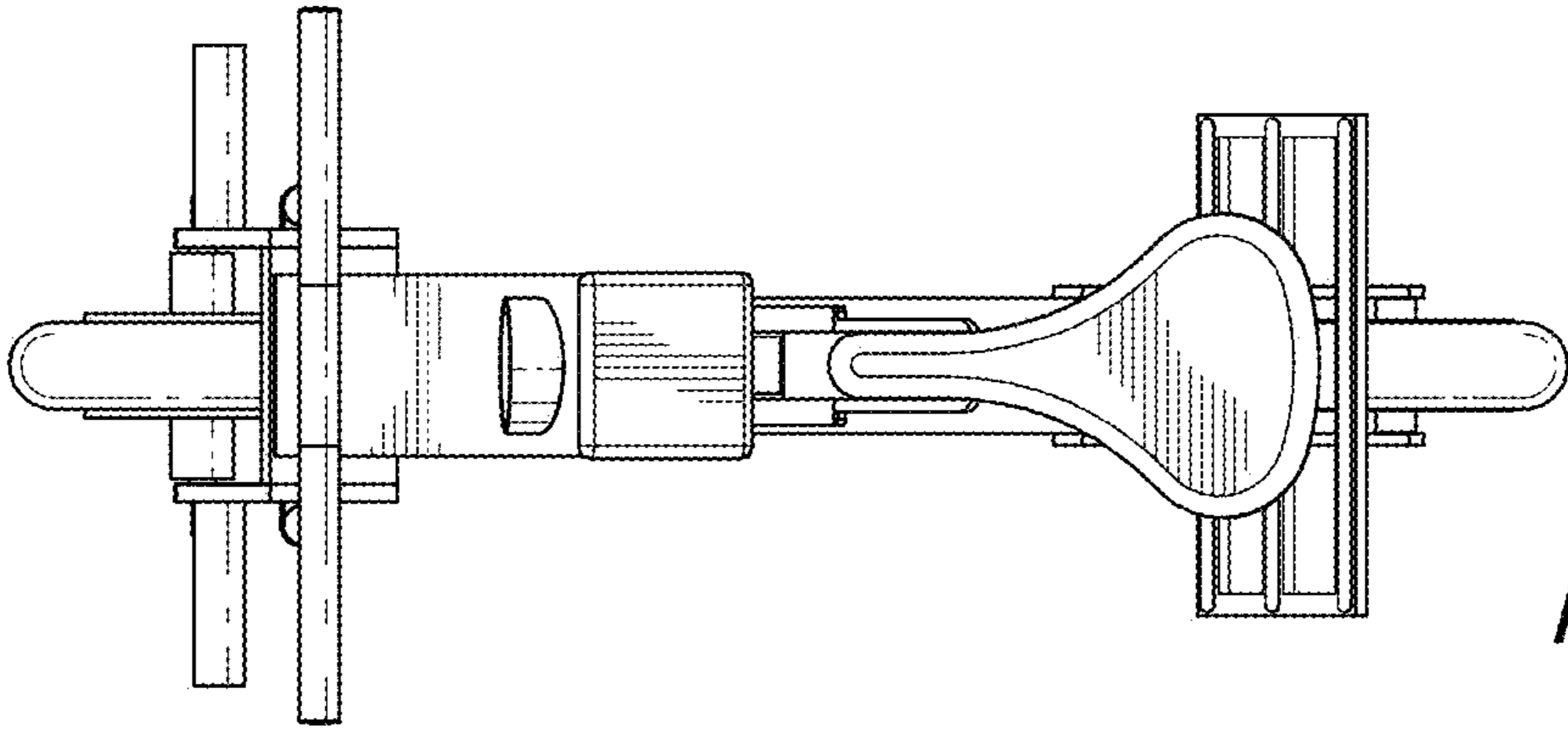


FIG. 7

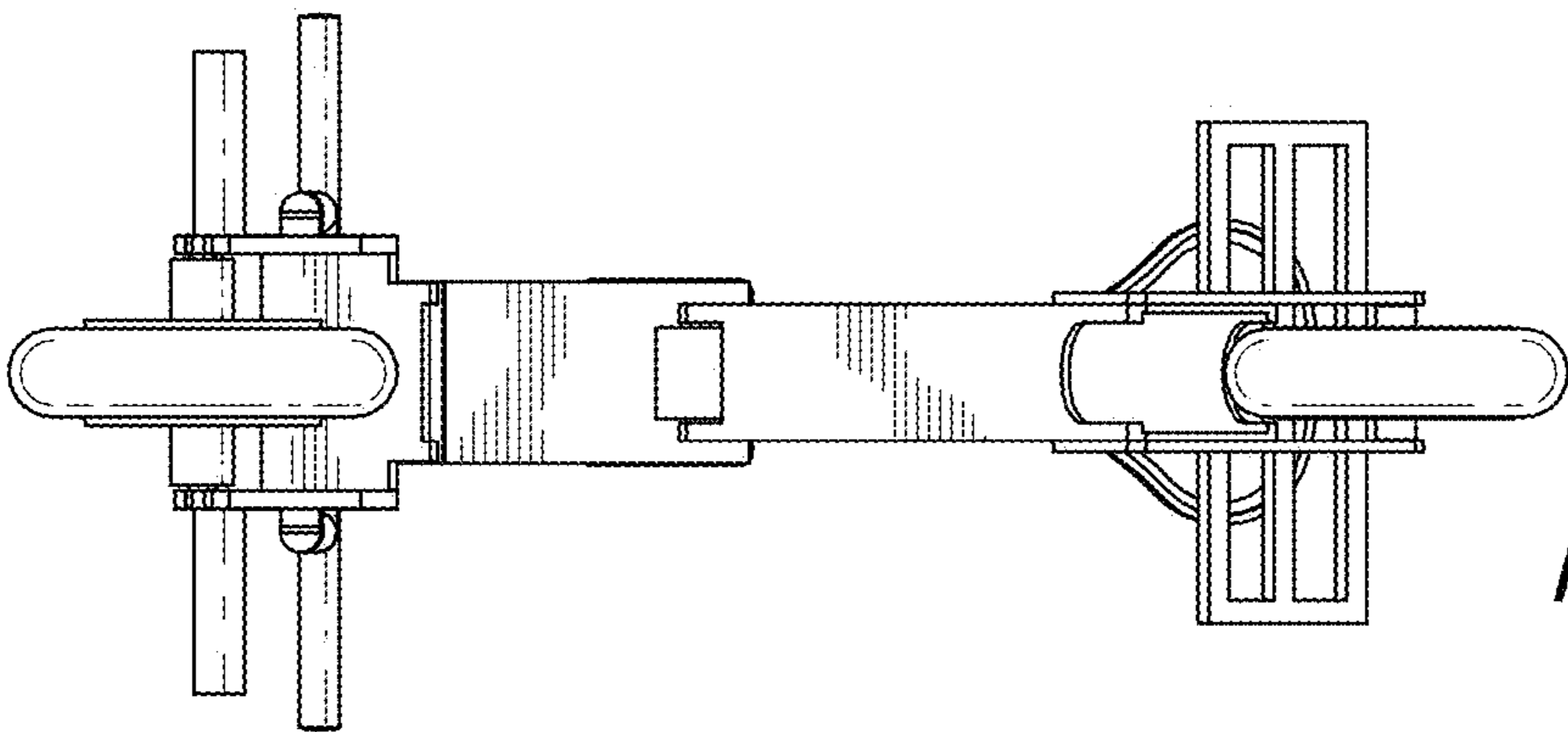


FIG. 8