



US00D750710S

(12) **United States Design Patent**  
**Watson et al.**

(10) **Patent No.:** **US D750,710 S**  
(45) **Date of Patent:** **\*\* Mar. 1, 2016**

- (54) **CORNER MOUNT SIGN HOLDER**
- (71) Applicants: **Heather Watson**, Aurora, OH (US);  
**William H. Walker**, Fairlawn, OH (US)
- (72) Inventors: **Heather Watson**, Aurora, OH (US);  
**William H. Walker**, Fairlawn, OH (US)
- (73) Assignee: **Fasteners For Retail, Inc.**, Twinsburg,  
OH (US)

(\*\*) Term: **14 Years**  
(21) Appl. No.: **29/477,534**

- (22) Filed: **Dec. 23, 2013**
- (51) **LOC (10) Cl.** ..... **20-03**
- (52) **U.S. Cl.**  
USPC ..... **D20/43**
- (58) **Field of Classification Search**  
USPC ..... D20/10, 19, 43, 44, 99; D25/119  
CPC ..... G09F 1/10; G09F 3/08; G09F 3/16;  
G09F 3/18; G09F 3/20; G09F 3/201; G09F  
3/202; G09F 3/203; G09F 3/204; G09F 7/02;  
G09F 7/04; G09F 7/08; G09F 7/0218; G09F  
7/20; G09F 7/22; G09F 23/10; B42F 19/00;  
B42F 21/00; B42F 21/08; B42F 21/065;  
B65D 85/00

See application file for complete search history.

(56) **References Cited**

**U.S. PATENT DOCUMENTS**

- 1,943,295 A \* 1/1934 Block ..... G09F 23/00  
40/358
- 4,593,824 A \* 6/1986 Pfeifer ..... A47F 5/0869  
211/57.1

(Continued)

**OTHER PUBLICATIONS**

FFR-DSI Total Retail Solutions Yellow Pages 2013 Product Catalog,  
“Renew / Refresh / Remodel”, 2013, Cover page and pp. 60, 61, 87,  
95, 100-102, 105-108, 110, 123-125, 134-136, 139-142, 148-150,  
152, 156, 157, 173, 174.

*Primary Examiner* — Mary Ann Calabrese  
(74) *Attorney, Agent, or Firm* — Fay Sharpe LLP

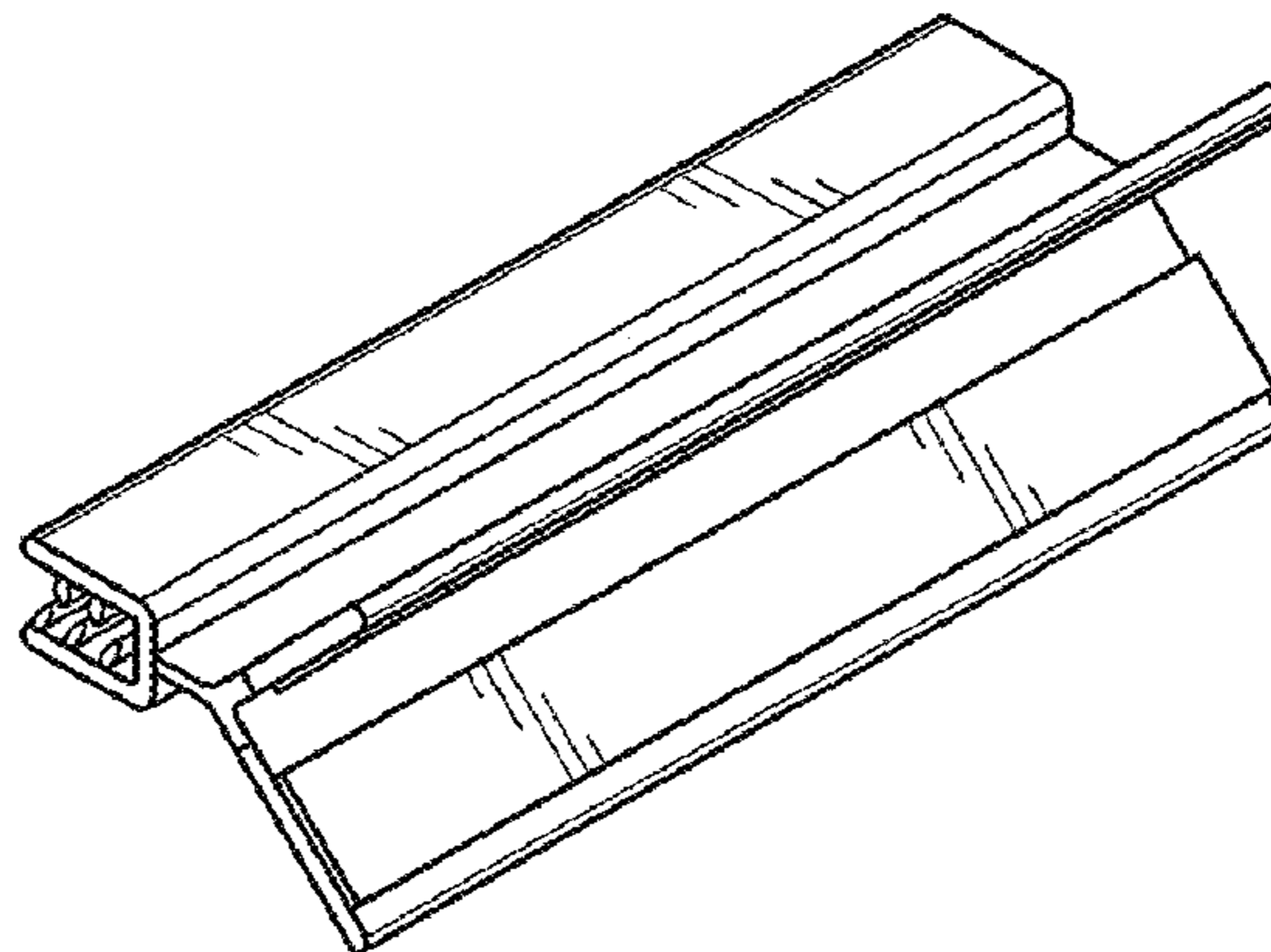
(57) **CLAIM**

The ornamental design for a corner mount sign holder, as shown and described.

**DESCRIPTION**

FIG. 1 is a rear perspective view of a first embodiment of a corner mount sign holder showing our new design;  
 FIG. 2 is a front elevational view thereof;  
 FIG. 3 is a rear elevational view thereof;  
 FIG. 4 is a top plan view thereof, with a bottom plan view being a mirror image thereof;  
 FIG. 5 is a left side elevational view thereof, with a right side elevational view being a mirror image thereof;  
 FIG. 6 is a front perspective view of a second embodiment of a corner mount sign holder showing our new design;  
 FIG. 7 is a front elevational view thereof;  
 FIG. 8 is a rear elevational view thereof;  
 FIG. 9 is a top plan view thereof, with a bottom plan view being a mirror image thereof;  
 FIG. 10 is a left end elevational view thereof, with a right end elevational view being a mirror image thereof;  
 FIG. 11 is a front perspective view of a third embodiment of a corner mount sign holder showing our new design;  
 FIG. 12 is a front elevational view thereof;  
 FIG. 13 is a rear elevational view thereof;  
 FIG. 14 is a top plan view thereof, with a bottom plan view being a mirror image thereof;  
 FIG. 15 is a left end elevational view thereof, with a right end elevational view being a mirror image thereof;  
 FIG. 16 is a front perspective view of a fourth embodiment of a corner mount sign holder showing our new design;  
 FIG. 17 is a front elevational view thereof;  
 FIG. 18 is a rear elevational view thereof;  
 FIG. 19 is a top plan view thereof, with a bottom plan view being a mirror image thereof; and,  
 FIG. 20 is a left end elevational view thereof, with a right end elevational view being a mirror image thereof.

**1 Claim, 4 Drawing Sheets**



(56)

**References Cited**

U.S. PATENT DOCUMENTS

D322,634 S	*	12/1991	Callas .....	D20/42	D454,917 S		3/2002	Mueller	
6,026,603 A		2/2000	Kump et al.		D454,918 S		3/2002	Wamsley et al.	
D423,592 S		4/2000	Wamsley		D480,433 S	*	10/2003	Wildrick .....	D20/43
6,082,687 A		7/2000	Kump et al.		D480,949 S		10/2003	Kosir	
D453,534 S	*	2/2002	Kosir .....	D20/43	D487,115 S		2/2004	Kosir	
D453,798 S		2/2002	Gray		D487,290 S		3/2004	Kosir	
D454,373 S		3/2002	Kosir		6,698,124 B2		3/2004	Kump et al.	
D454,593 S		3/2002	Kosir		D511,548 S		11/2005	Wamsley	
					7,740,144 B2		6/2010	Kosir	
					7,946,066 B2		5/2011	Wamsley	
					D689,949 S	*	9/2013	Valls .....	D20/43

\* cited by examiner

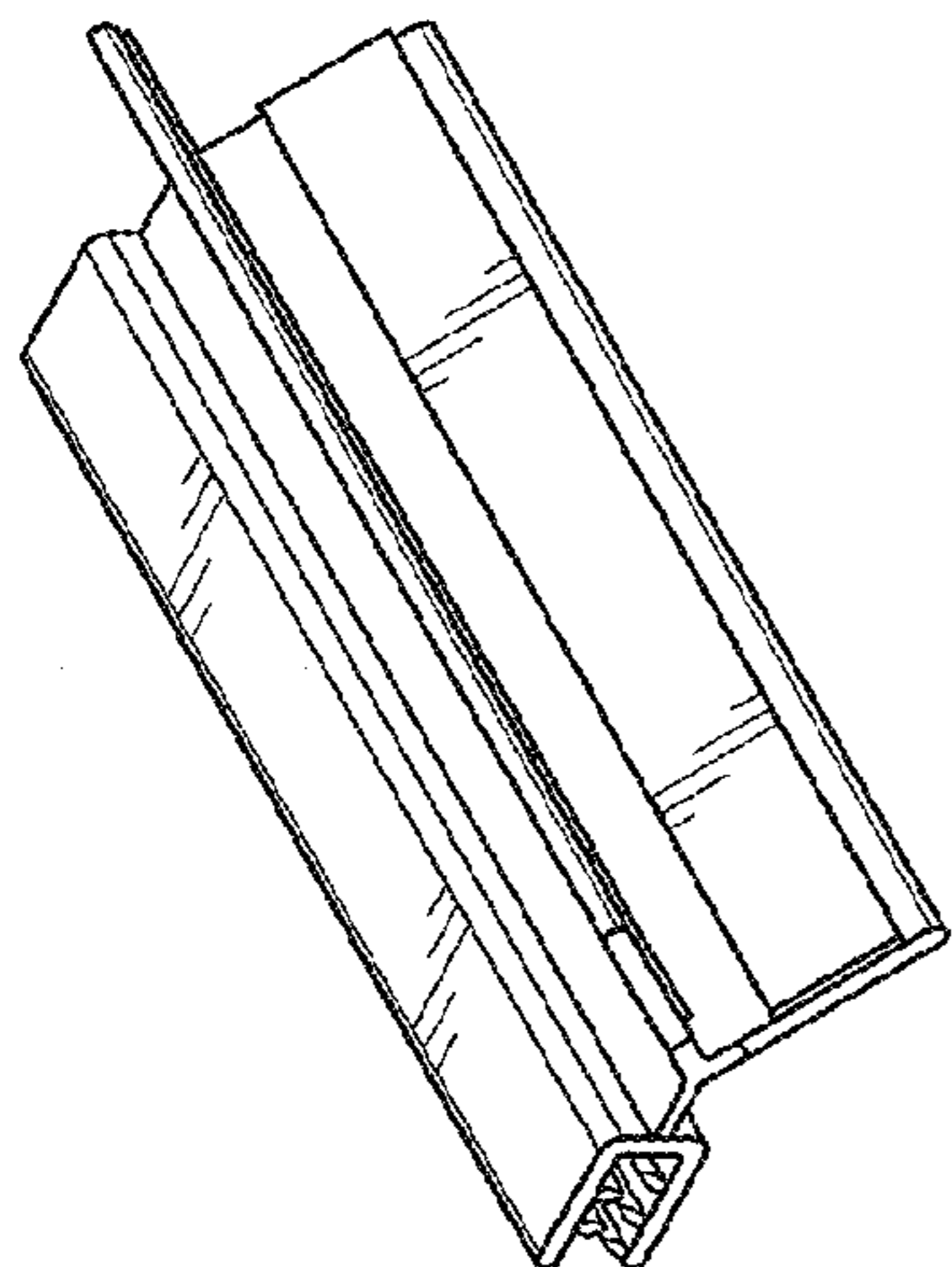


FIG. 1

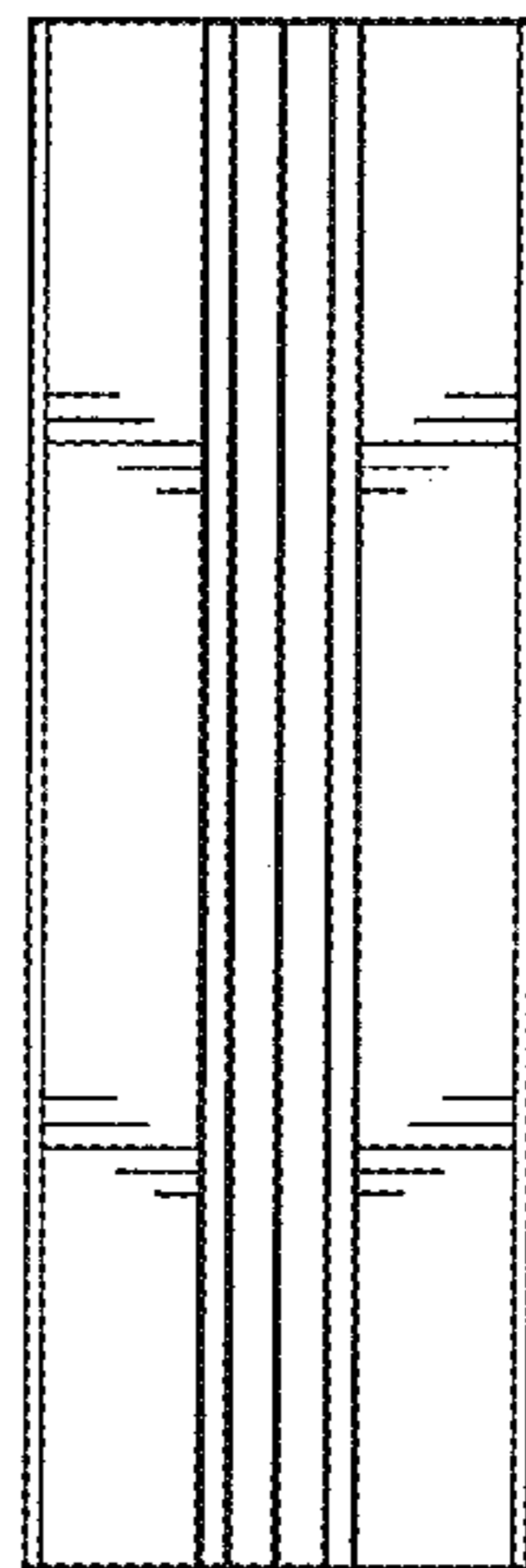


FIG. 2

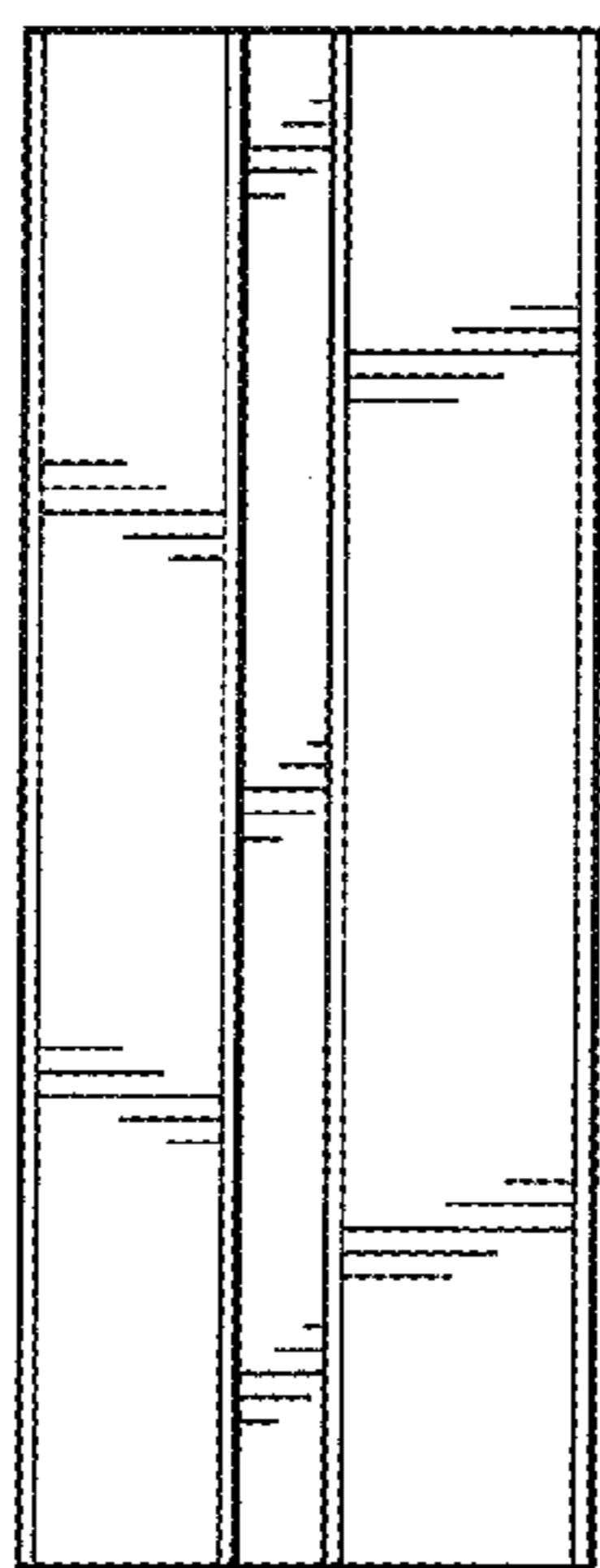


FIG. 4

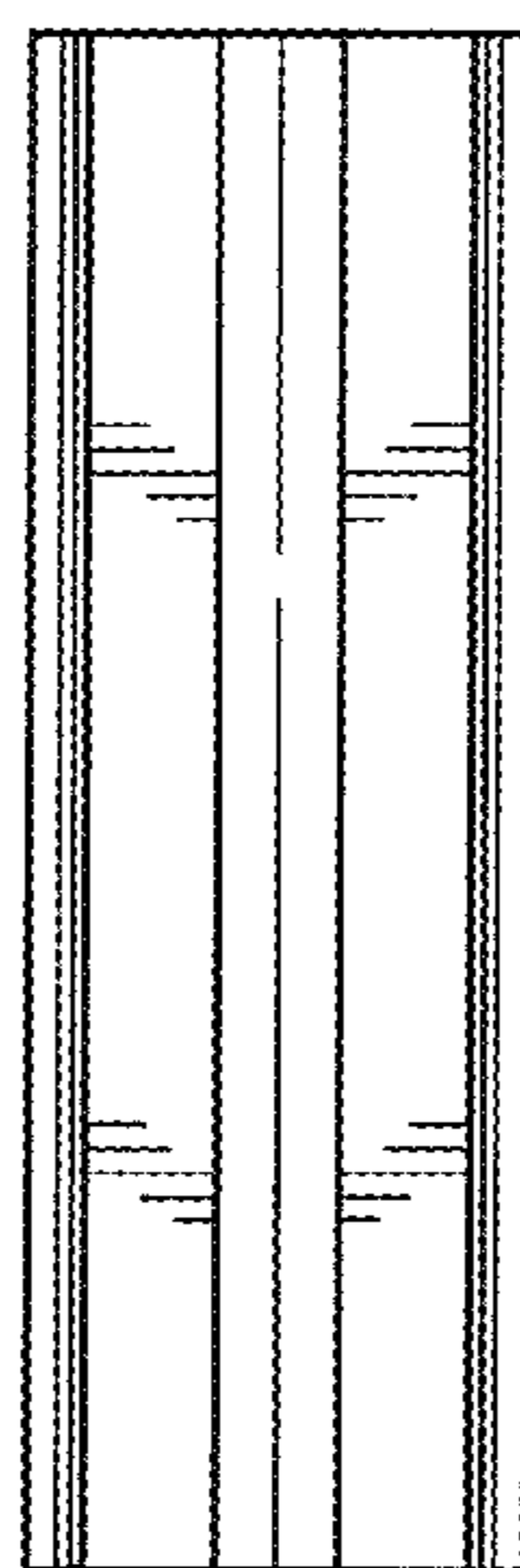


FIG. 3

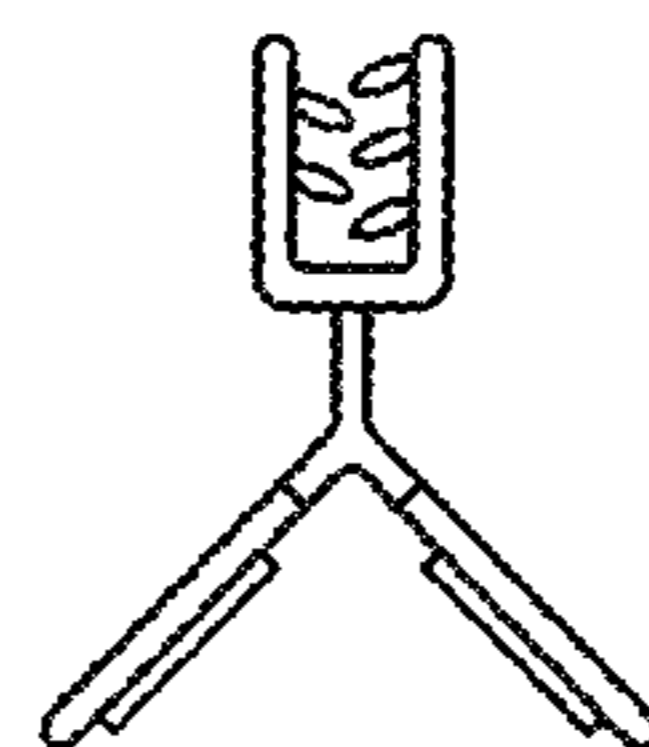


FIG. 5

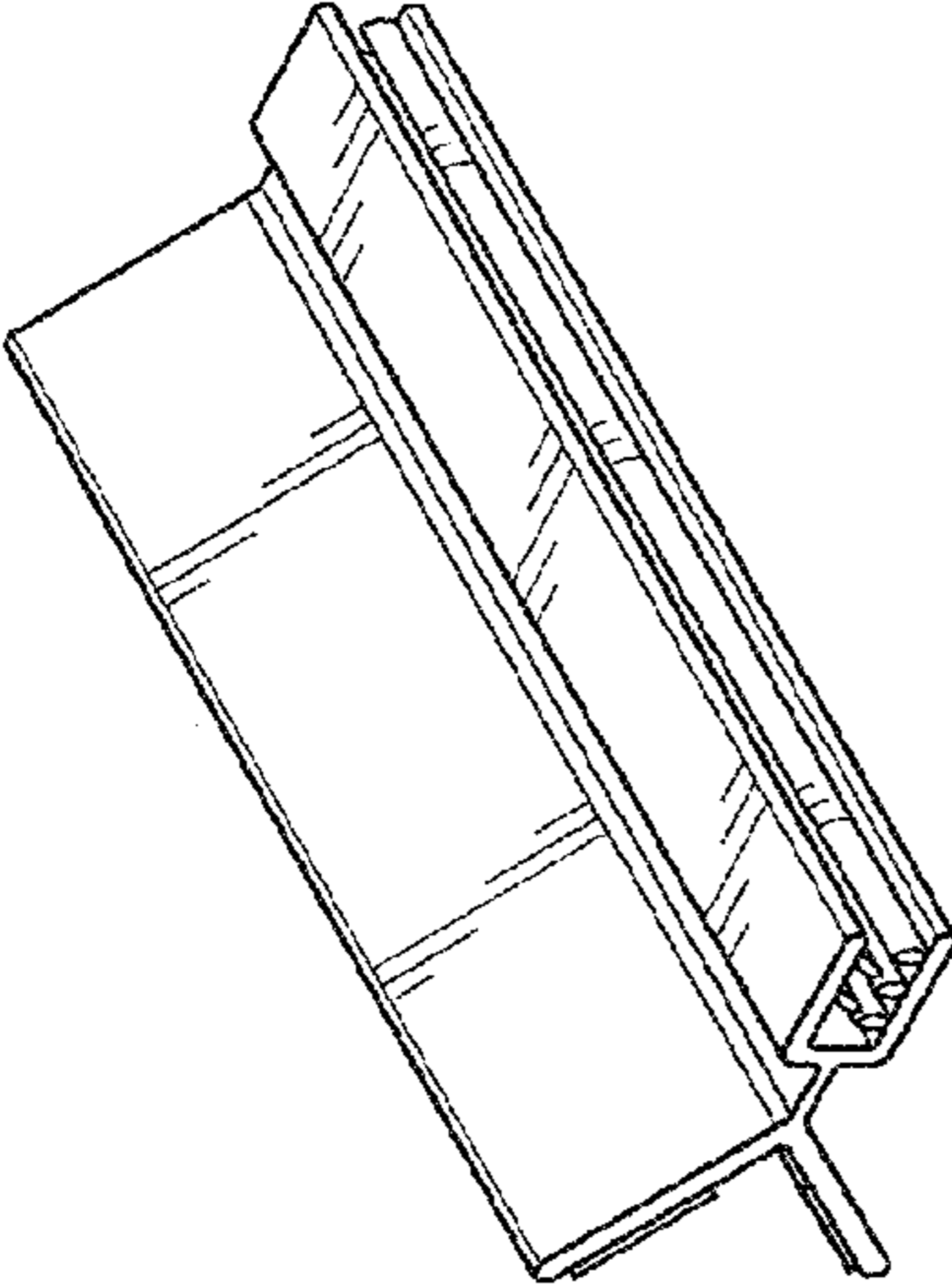


FIG. 6

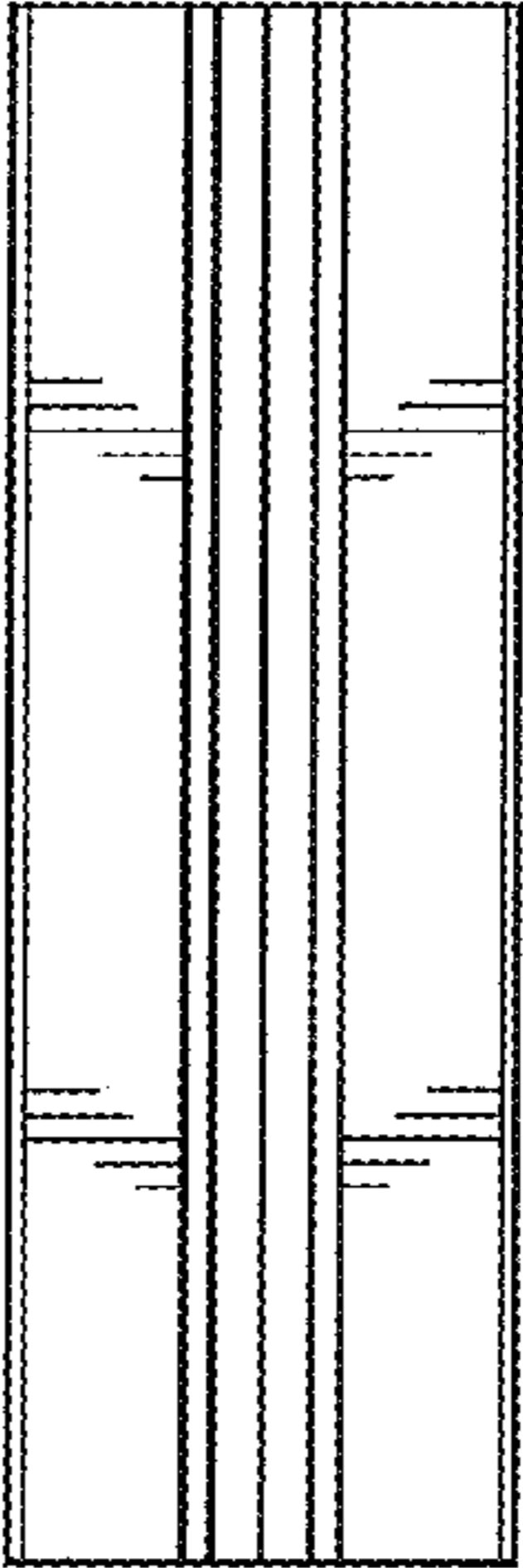


FIG. 7

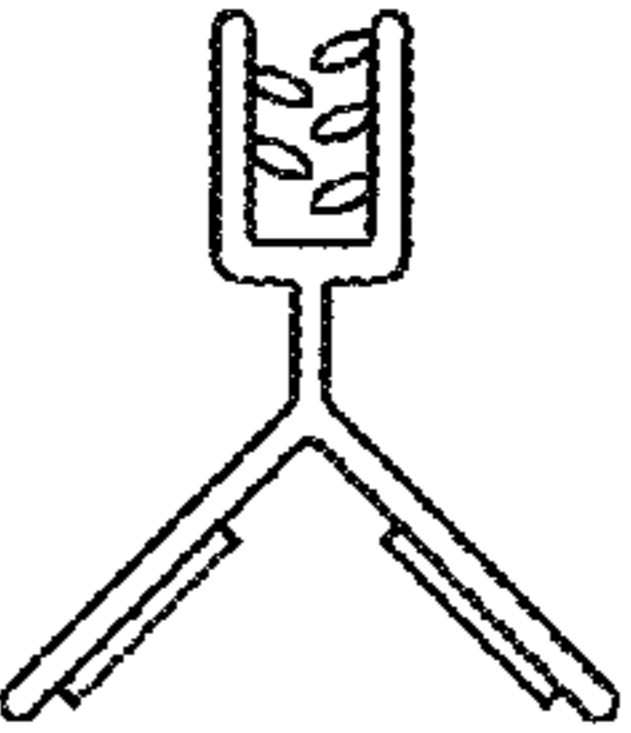


FIG. 10

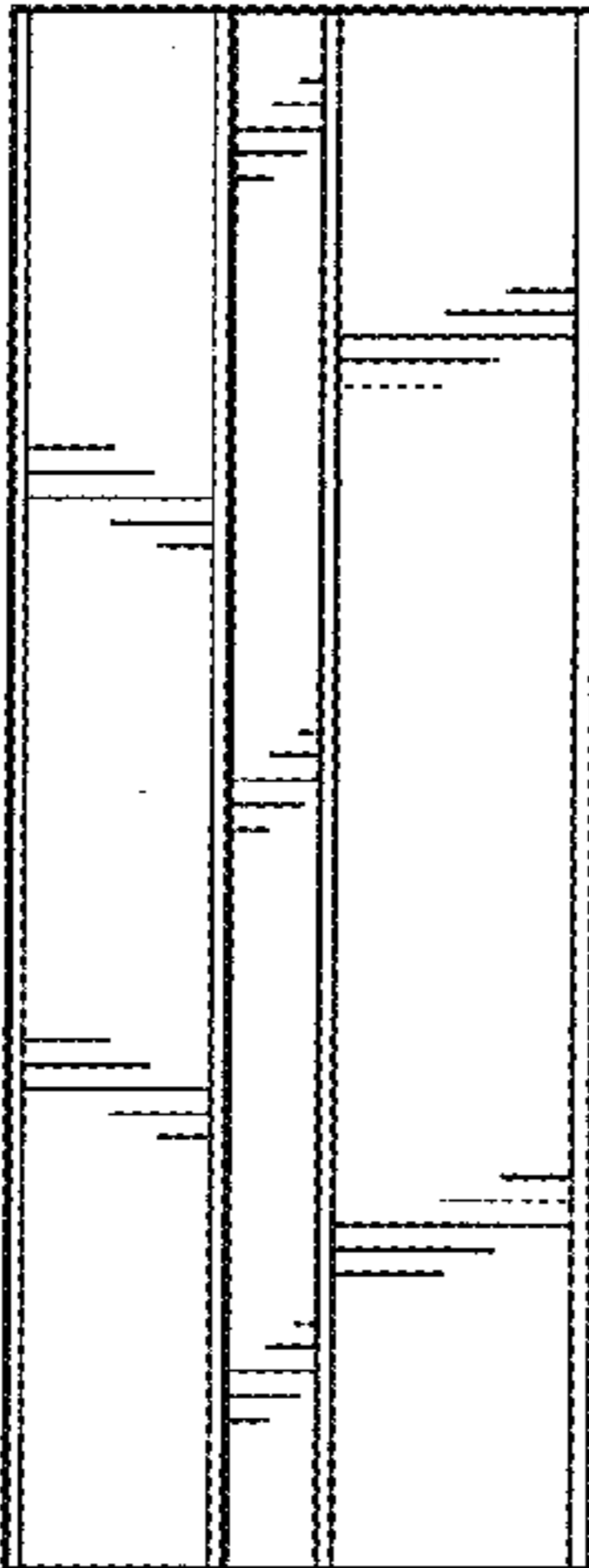


FIG. 9

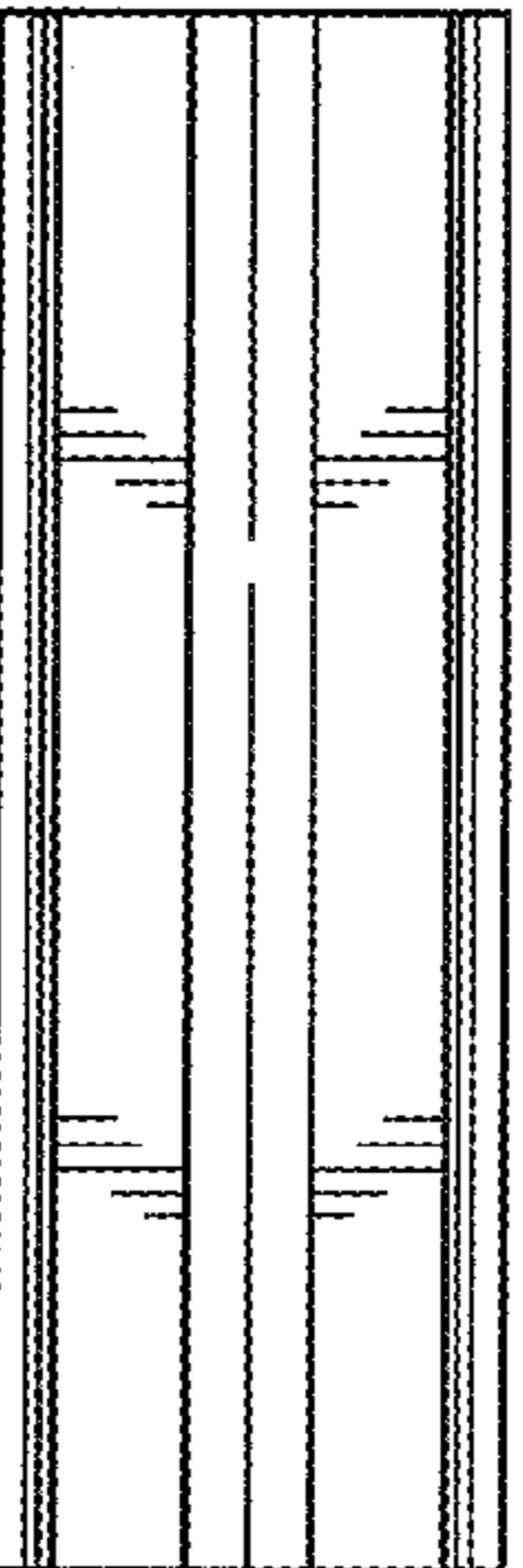


FIG. 8



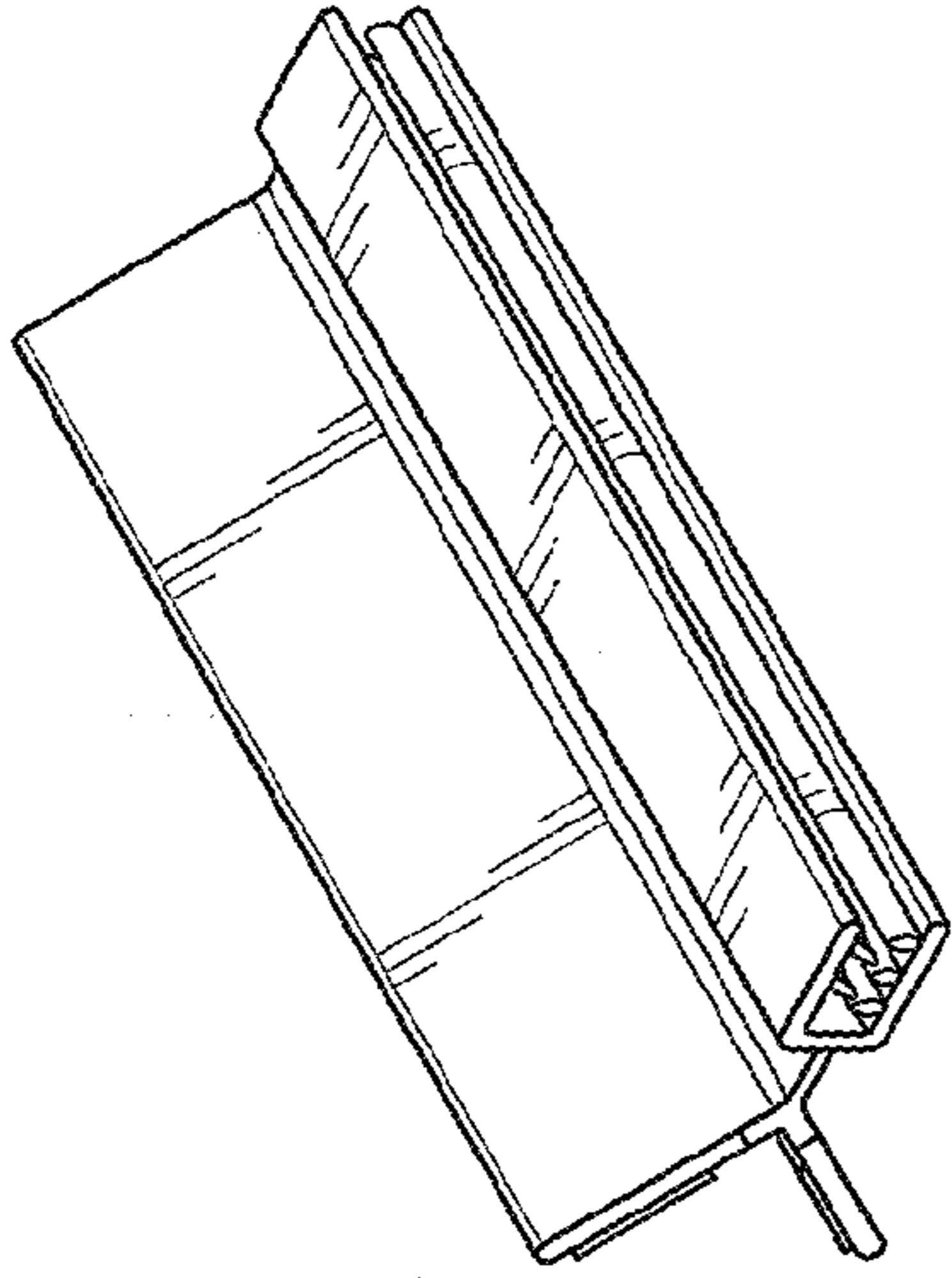


FIG. 11

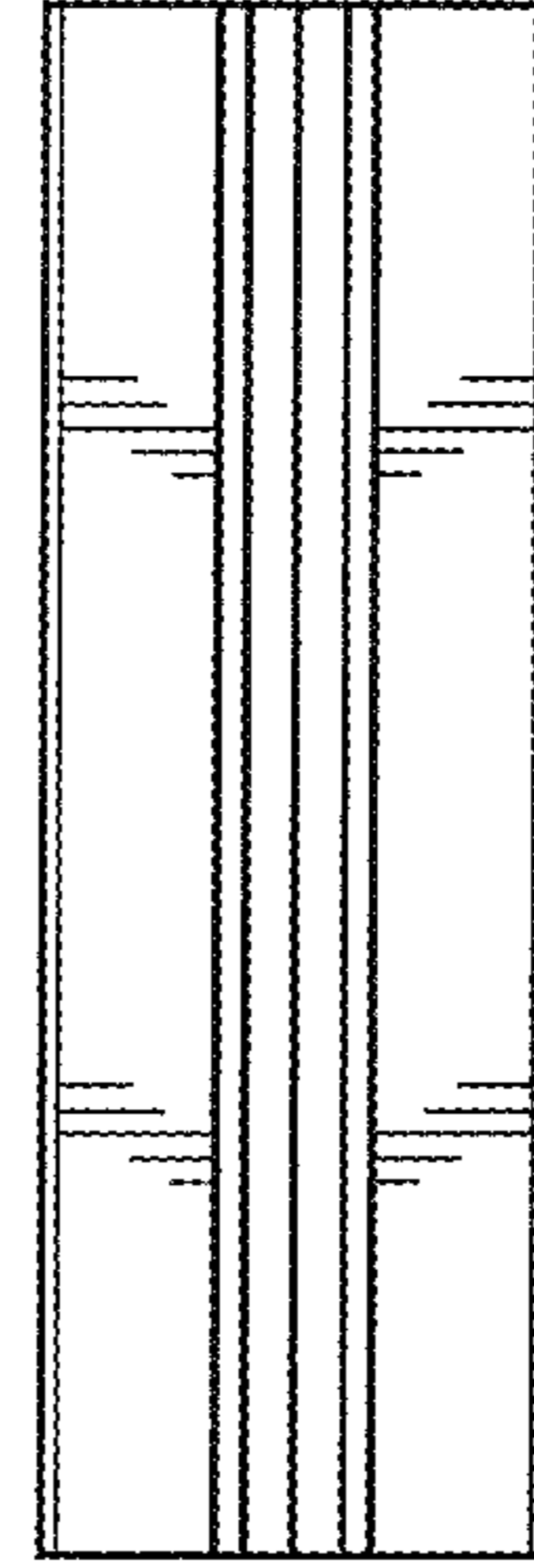


FIG. 12

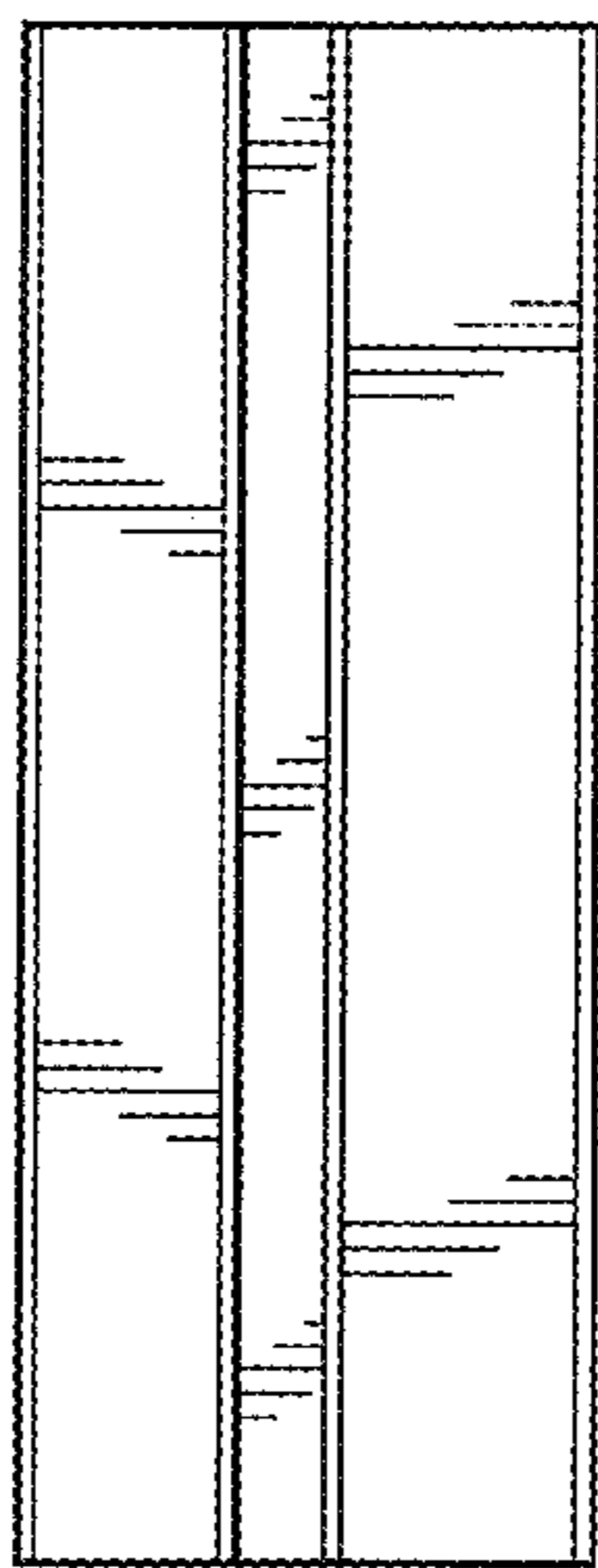


FIG. 14

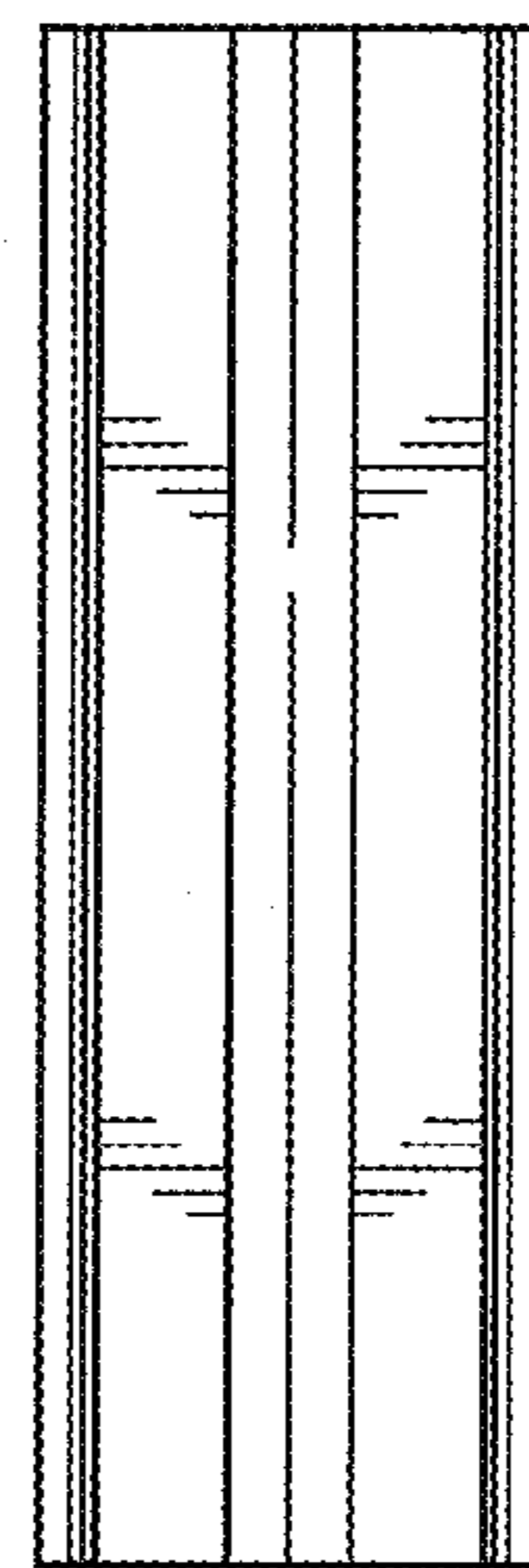


FIG. 13

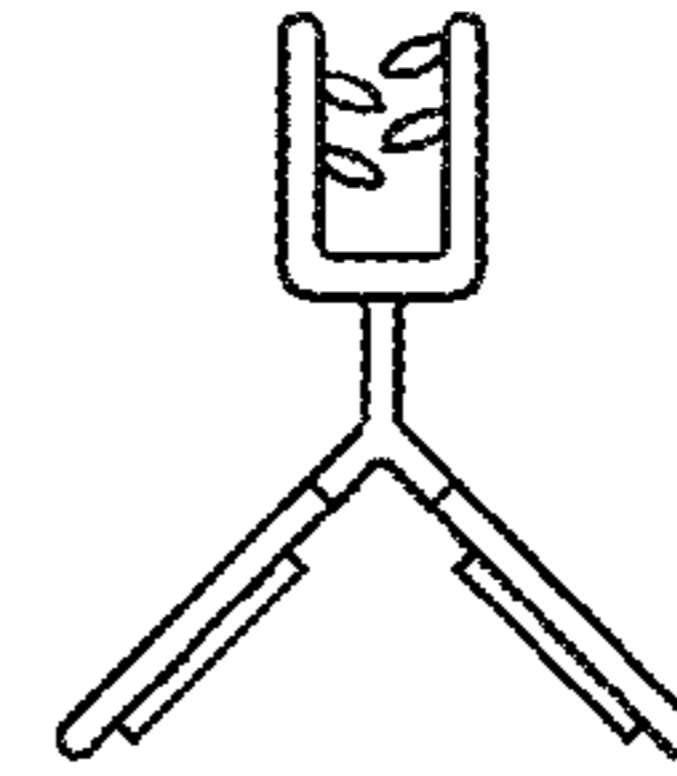


FIG. 15

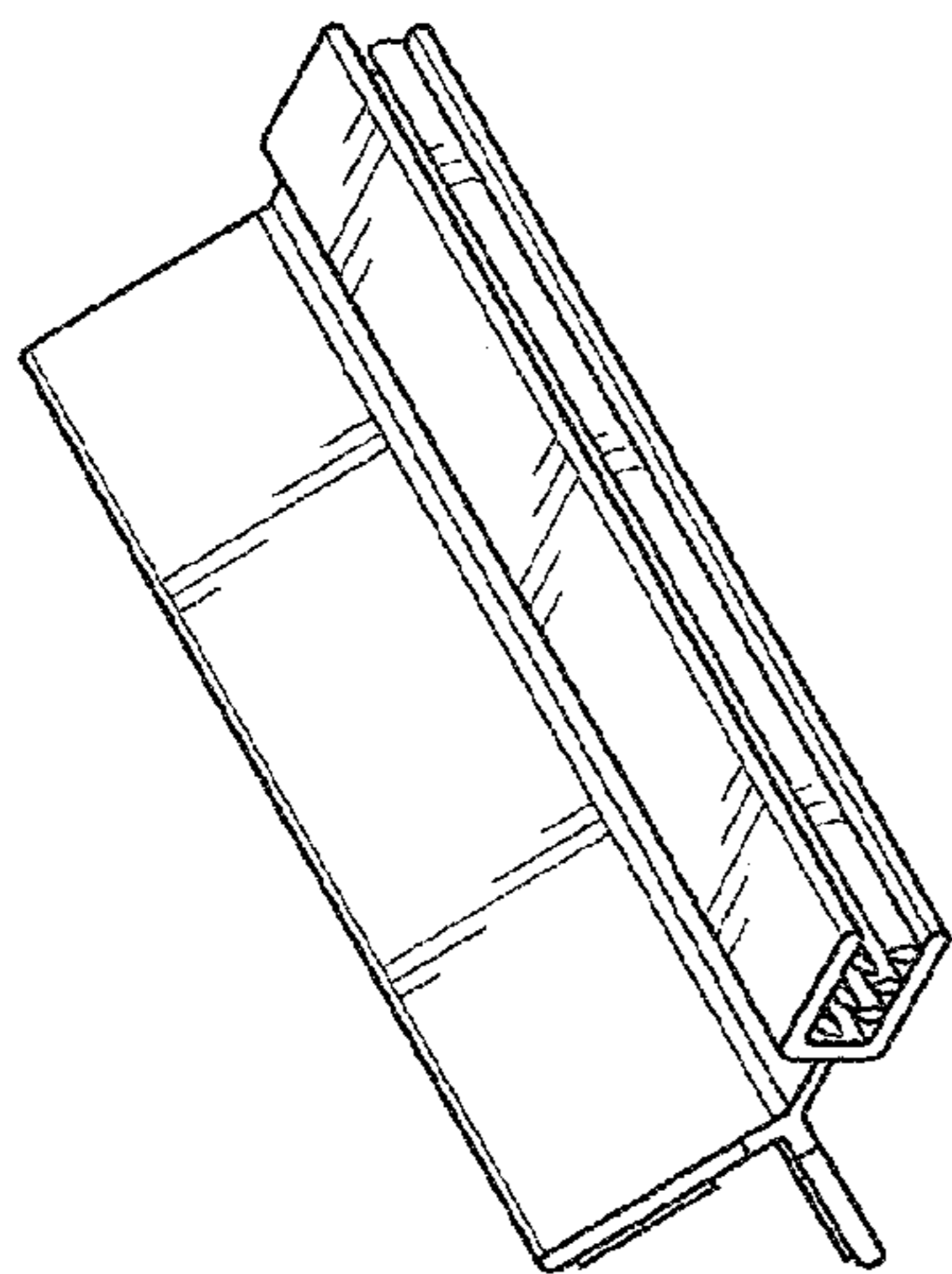


FIG. 16

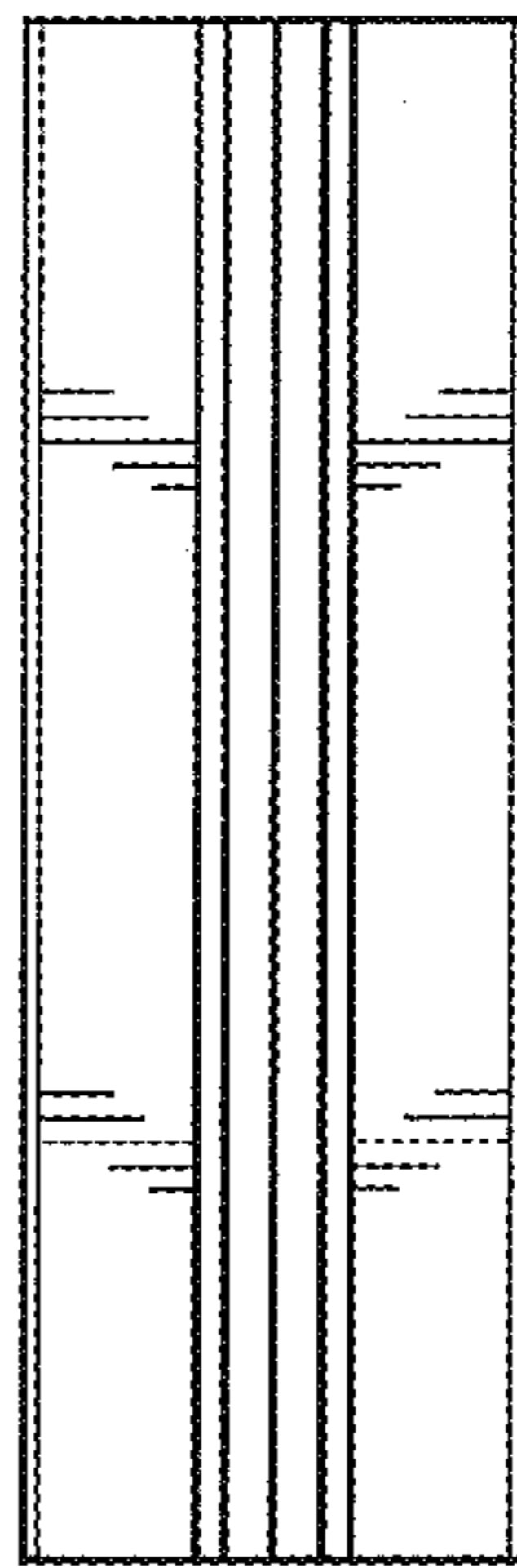


FIG. 17

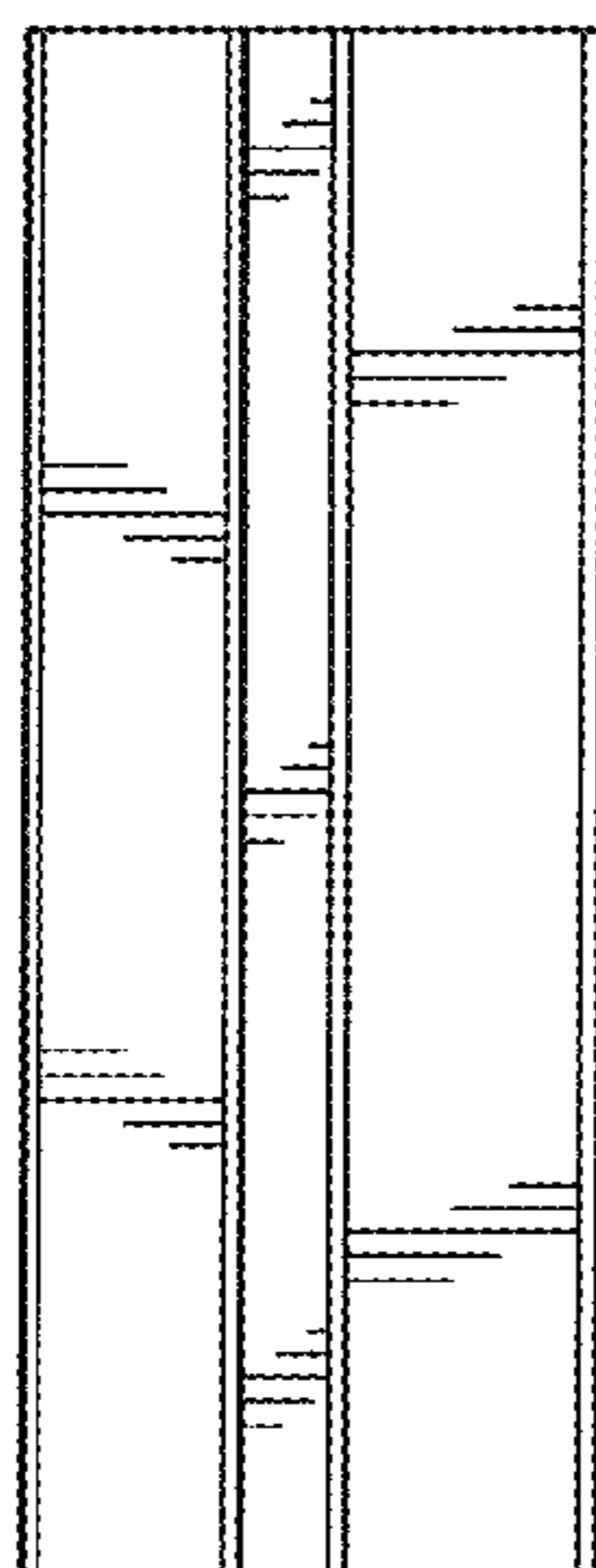


FIG. 19

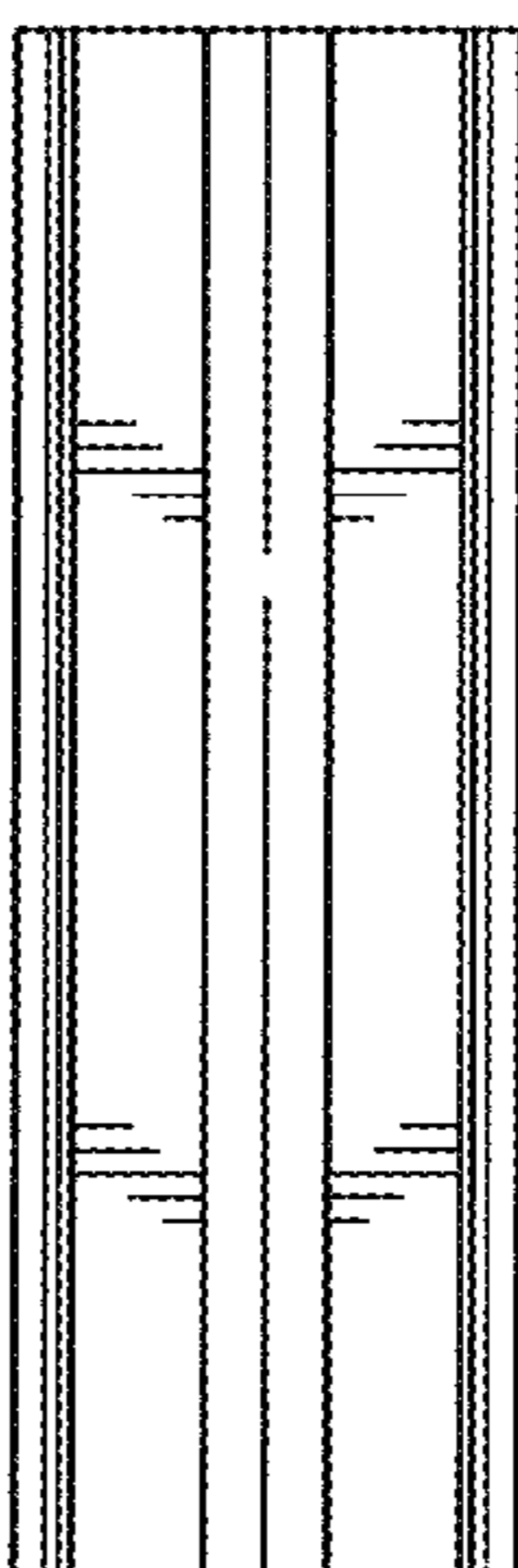


FIG. 18

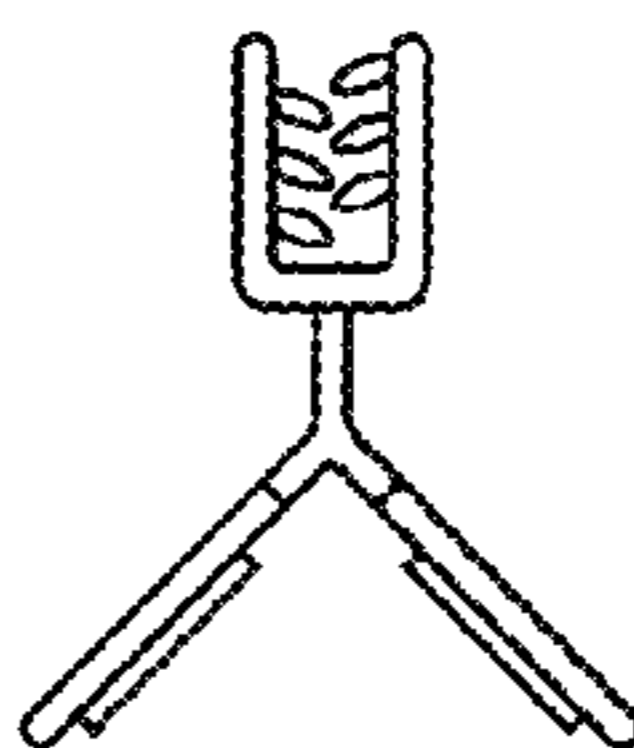


FIG. 20