



US00D750706S

(12) **United States Design Patent**  
**Kim et al.**

(10) **Patent No.:** **US D750,706 S**  
(45) **Date of Patent:** **\*\* Mar. 1, 2016**

(54) **PRINTER**

(71) Applicant: **Samsung Electronics Co., Ltd.**,  
Suwon-si (KR)

(72) Inventors: **Minchul Kim**, Buchunsi (KR);  
**Seungwook Jeong**, Seoul (KR)

(73) Assignee: **Samsung Electronics Co., Ltd.**,  
Suwon-si (KR)

(\*\*) Term: **14 Years**

(21) Appl. No.: **29/484,794**

(22) Filed: **Mar. 13, 2014**

(30) **Foreign Application Priority Data**

Sep. 26, 2013 (KR) ..... 30-2013-0049105

(51) **LOC (10) Cl.** ..... **14-02**

(52) **U.S. Cl.**  
USPC ..... **D18/50; D18/56**

(58) **Field of Classification Search**  
USPC ..... D18/50, 53, 54, 54.1, 55, 56;  
D14/420–425, 462, 470, 212, 215–216,  
D14/219, 225, 227–228; 400/613,  
400/613.1–613.4, 690.1–690.4, 691–694;  
D12/114

See application file for complete search history.

(56) **References Cited**

**U.S. PATENT DOCUMENTS**

D328,299 S \* 7/1992 Gasparaitis et al. .... D14/219  
D380,759 S \* 7/1997 Lin ..... D14/215  
D409,584 S \* 5/1999 Fetherolf ..... D18/54  
D415,159 S \* 10/1999 Nakano ..... D14/215

D430,599 S \* 9/2000 Gassett ..... D18/55  
D431,597 S \* 10/2000 Gassett ..... D18/55  
D447,766 S \* 9/2001 Obara et al. .... D18/14  
D535,288 S \* 1/2007 Files ..... D14/215  
D550,204 S \* 9/2007 Kaneda ..... D14/216  
D563,286 S \* 3/2008 Files ..... D12/114  
D591,267 S \* 4/2009 Files ..... D14/216  
D626,939 S \* 11/2010 Chen ..... D14/216  
D683,719 S \* 6/2013 Onoue ..... D14/215  
D689,867 S \* 9/2013 Yamaguchi et al. .... D14/422  
D692,411 S \* 10/2013 Joseph ..... D14/215  
D692,413 S \* 10/2013 Holzer ..... D14/216  
D715,249 S \* 10/2014 Zhou ..... D14/159  
D723,519 S \* 3/2015 Files ..... D14/216

\* cited by examiner

*Primary Examiner* — Cathy Anne MacCormac  
(74) *Attorney, Agent, or Firm* — NSIP Law

(57) **CLAIM**

We claim the ornamental design for a printer, as shown and described.

**DESCRIPTION**

FIG. 1 is a front perspective view of a printer showing our new design;  
FIG. 2 is a front view thereof;  
FIG. 3 is a rear view thereof;  
FIG. 4 is a left-side view thereof;  
FIG. 5 is a right-side view thereof;  
FIG. 6 is a top view thereof;  
FIG. 7 is a bottom view thereof; and,  
FIG. 8 is another front perspective view thereof, showing the printer in an alternate position.

The broken lines in the figures show portions of the printer which depict environmental subject matter and form no part of the claimed design.

**1 Claim, 8 Drawing Sheets**

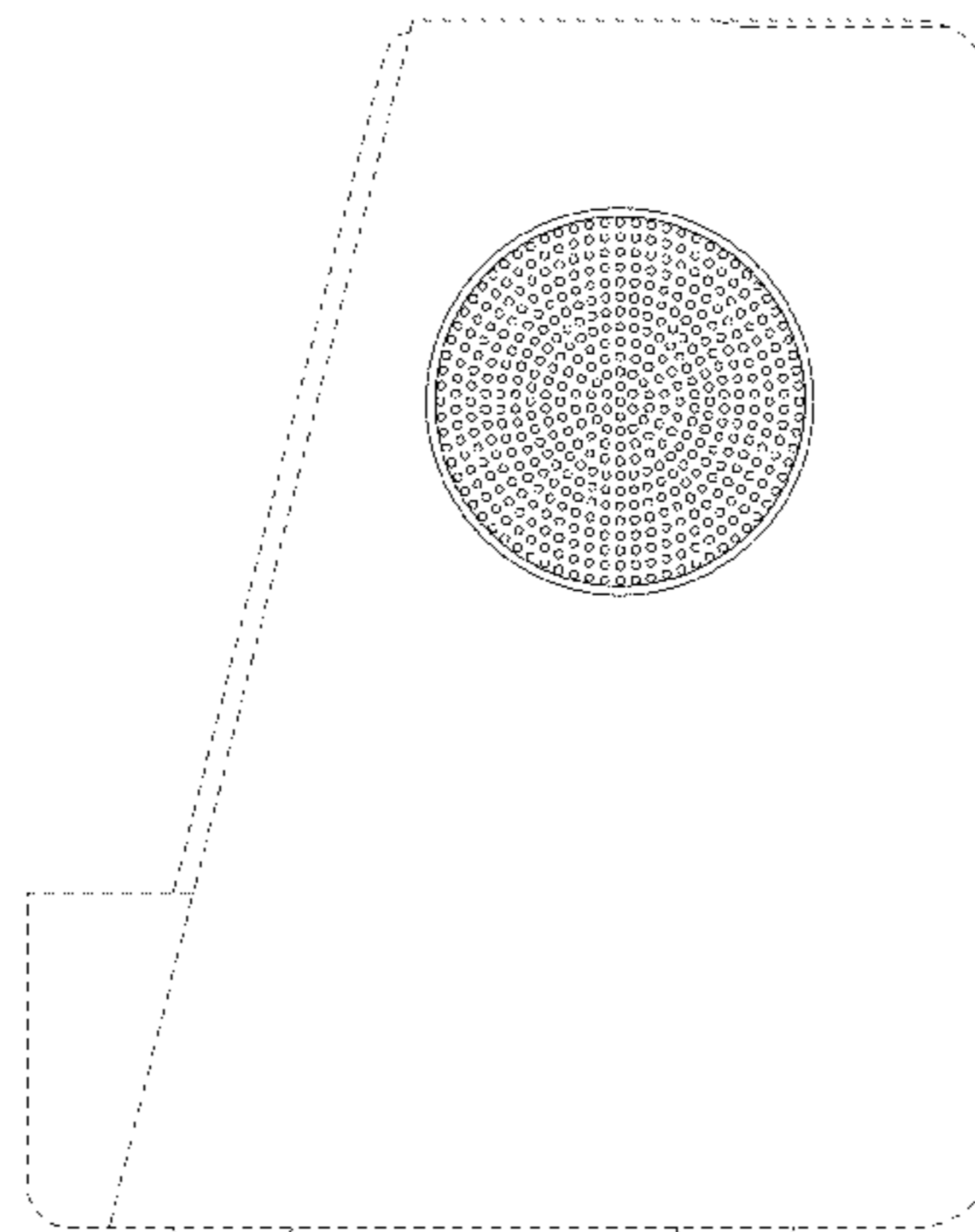
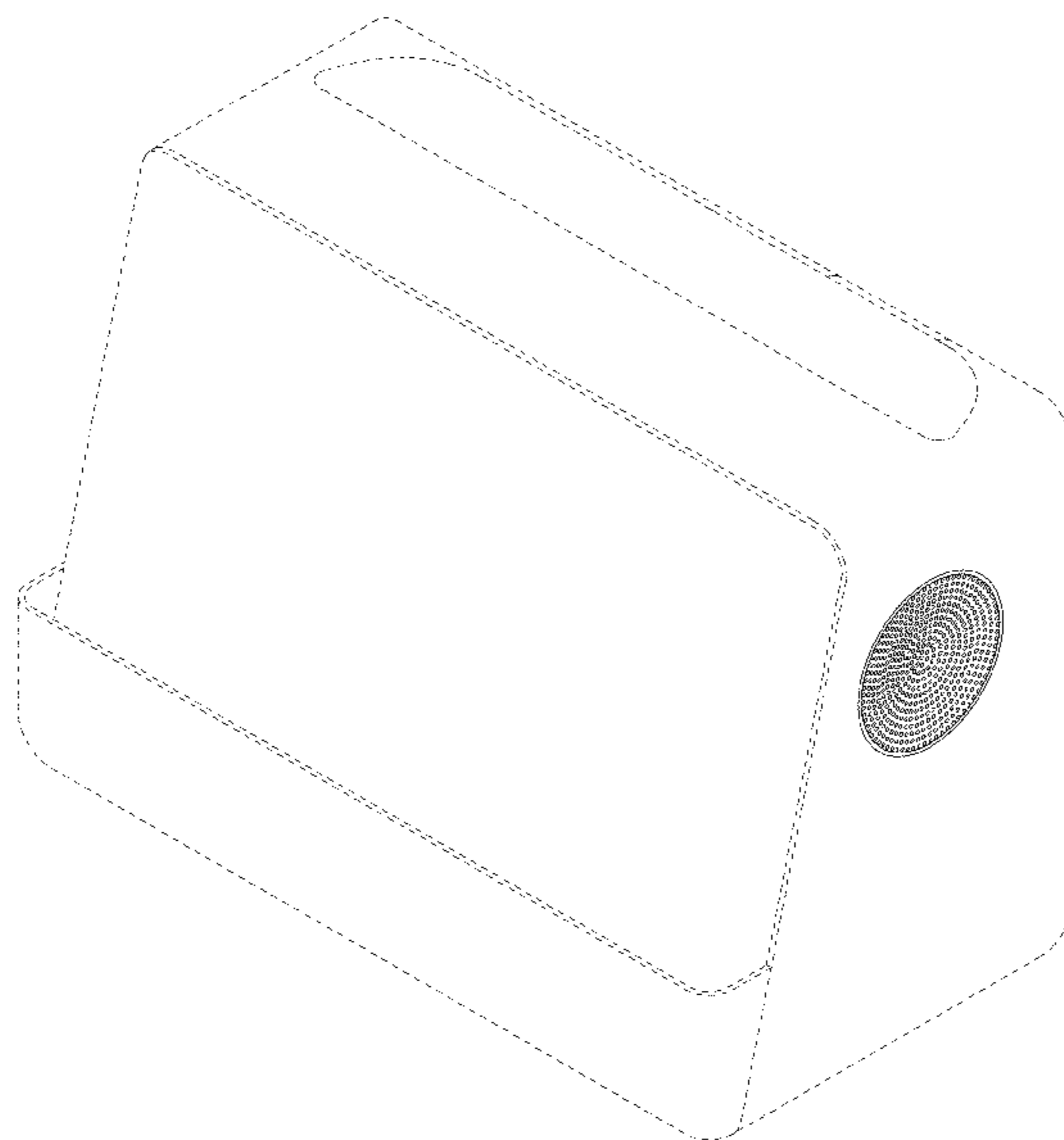


FIG. 1

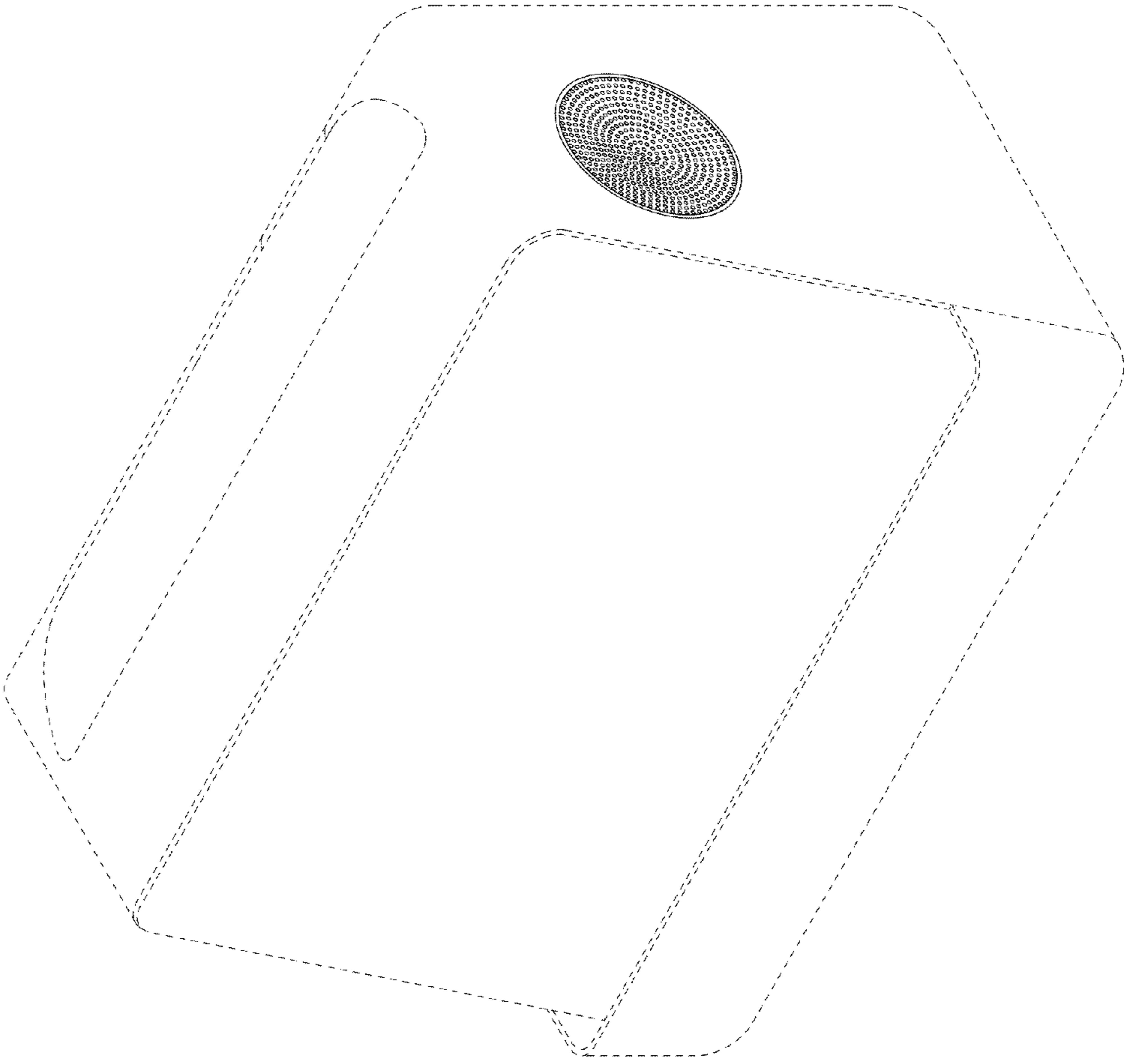


FIG. 2



FIG. 3

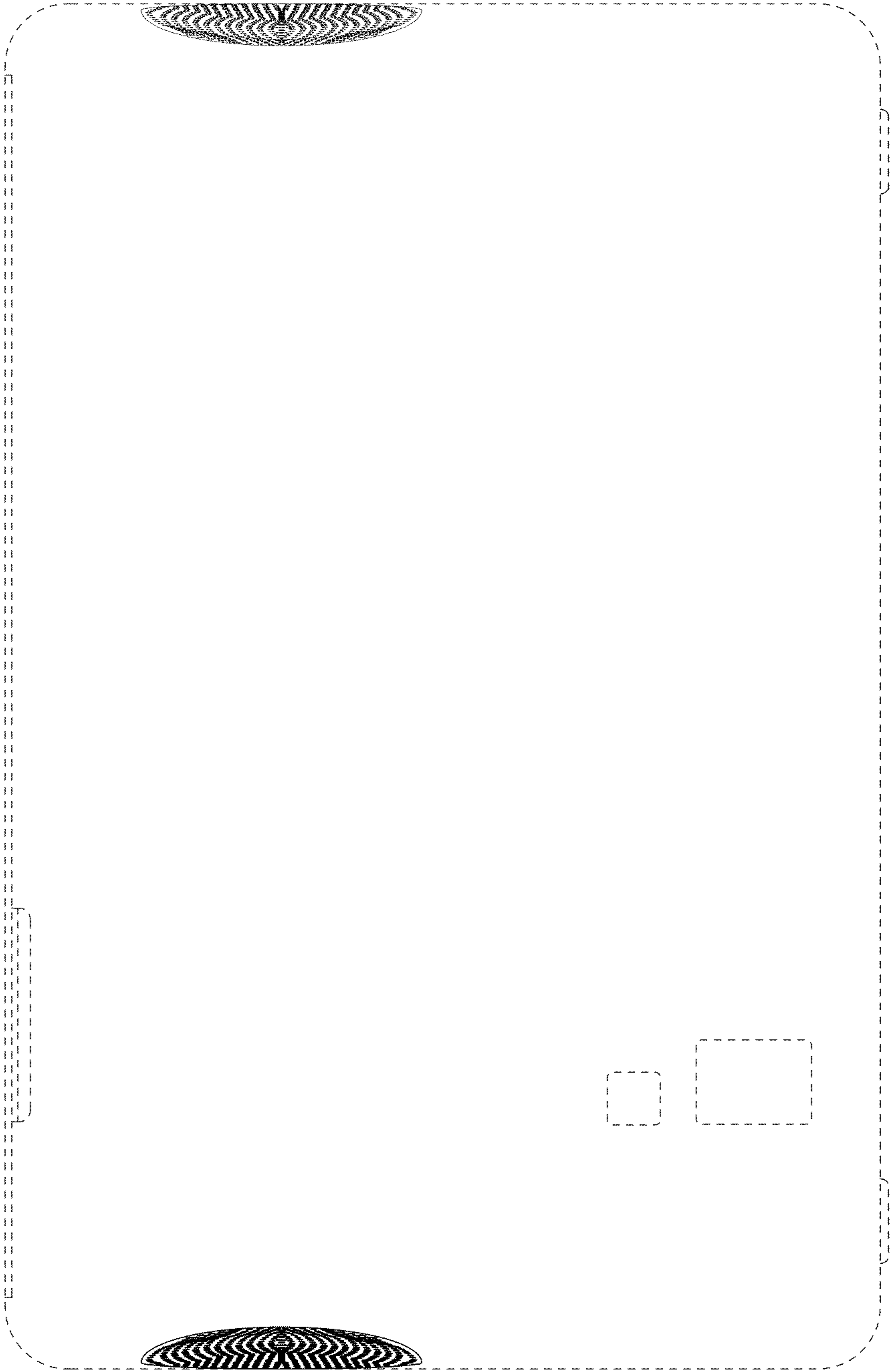


FIG. 4

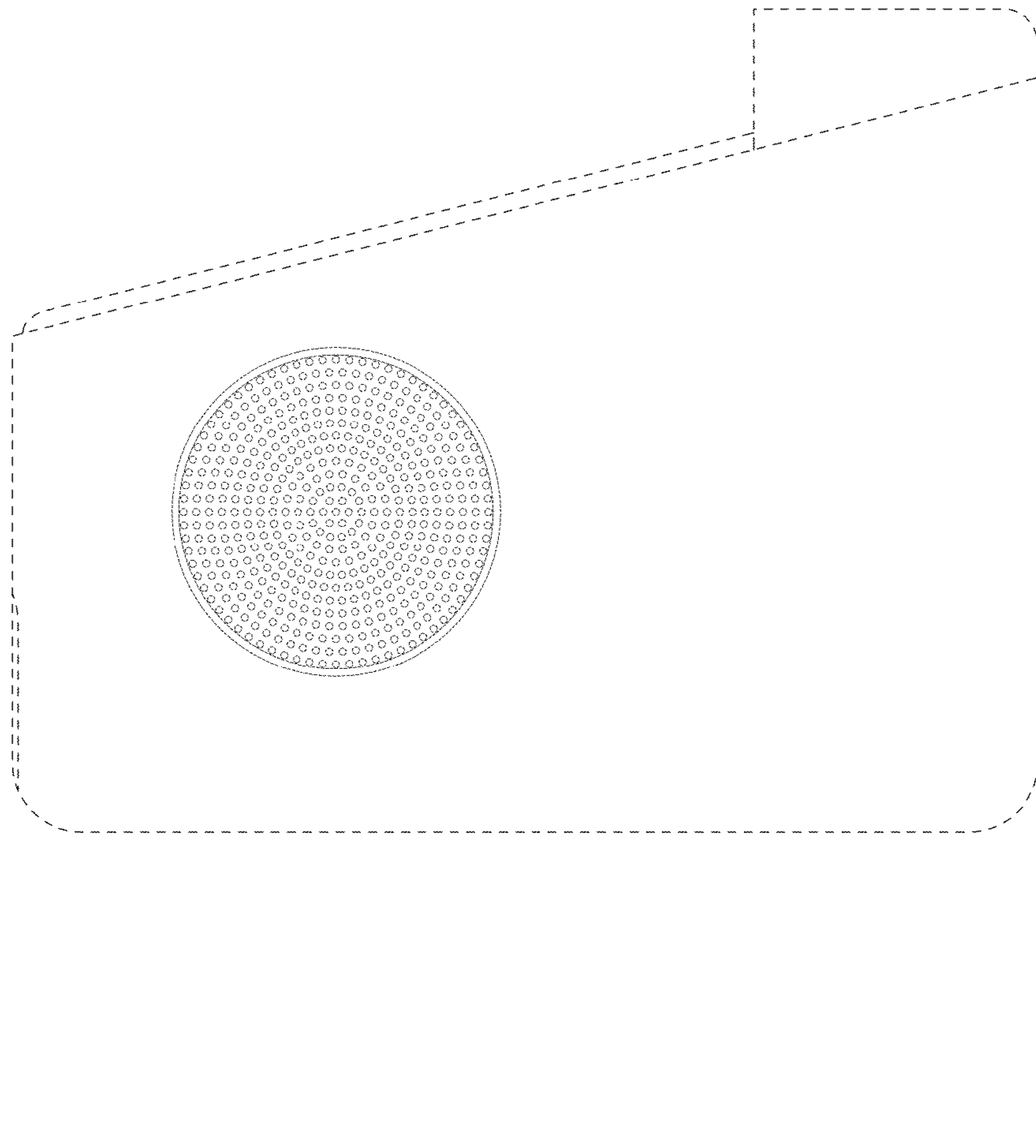


FIG. 5

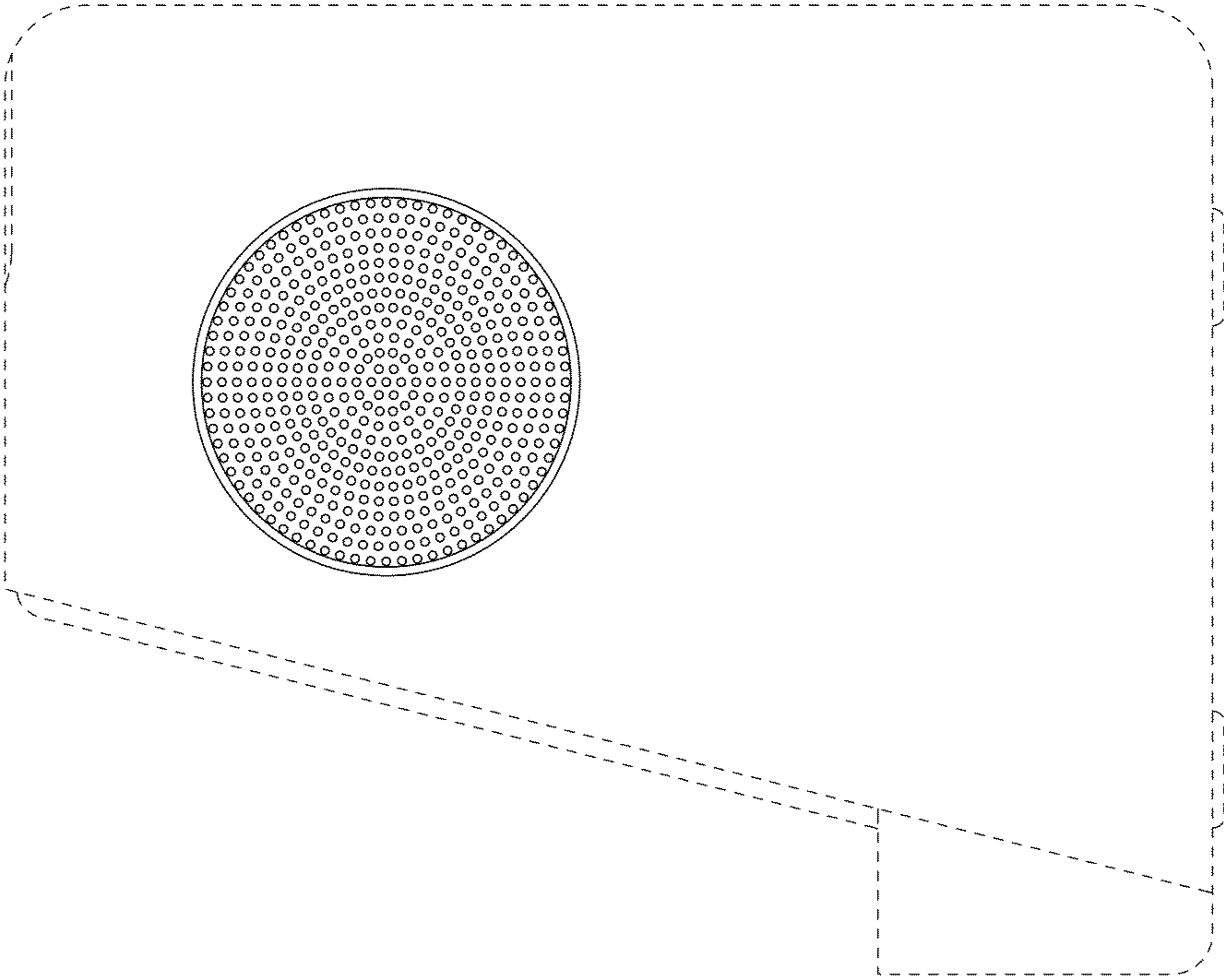


FIG. 6

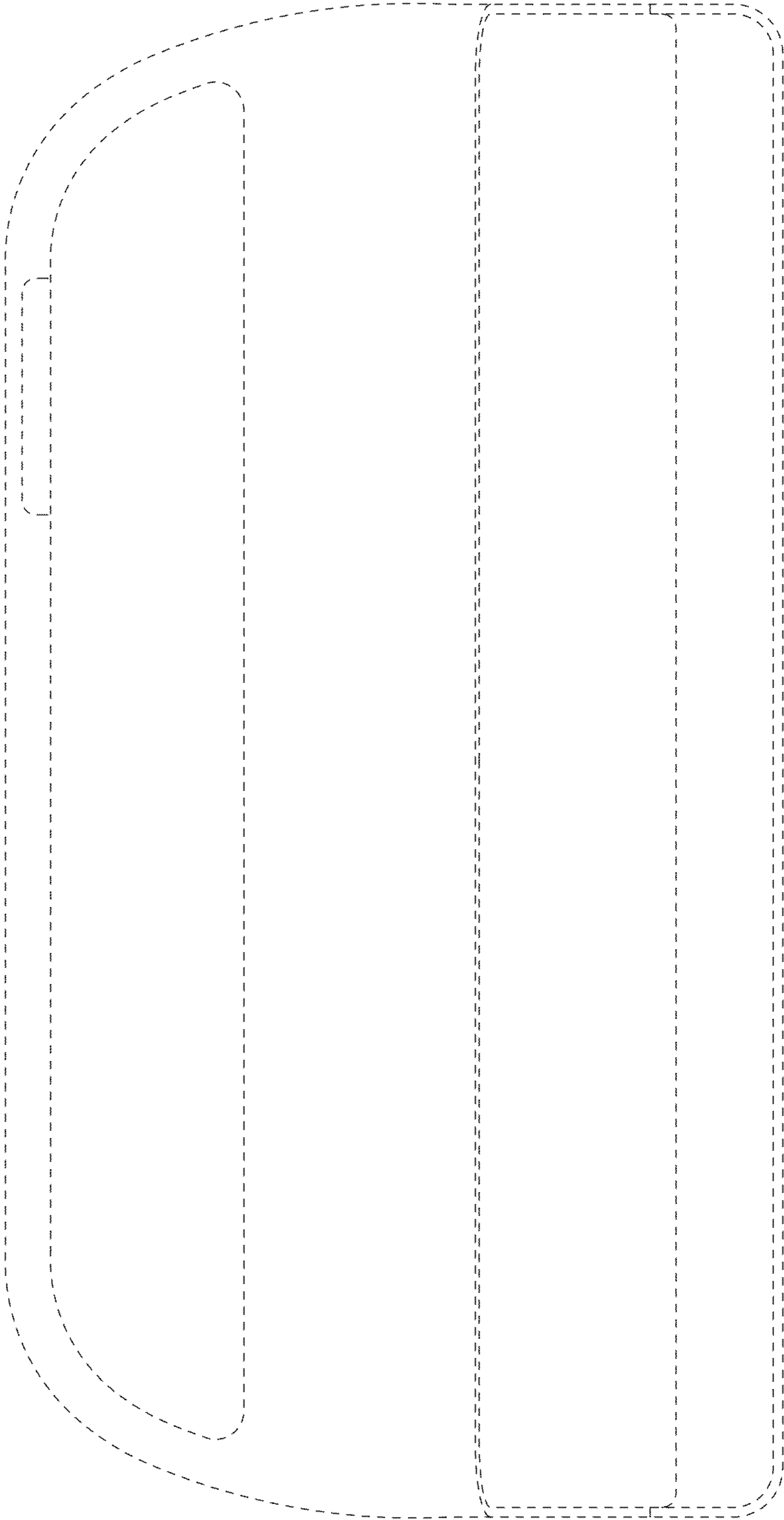




FIG. 7





FIG. 8

