



US00D750699S

(12) **United States Design Patent**
Kennedy

(10) **Patent No.:** **US D750,699 S**
(45) **Date of Patent:** **** Mar. 1, 2016**

- (54) **ARM FOR EYEGLASSES**
- (71) Applicant: **Gongshow Gear Inc.**, Ottawa, Ontario (CA)
- (72) Inventor: **Craig Kennedy**, Ottawa (CA)
- (73) Assignee: **Gongshow Gear Inc.**, Crescent, Ottawa (ON)
- (**) Term: **14 Years**
- (21) Appl. No.: **29/488,455**
- (22) Filed: **Apr. 18, 2014**
- (51) **LOC (10) Cl.** **16-06**
- (52) **U.S. Cl.**
USPC **D16/335**; D16/323
- (58) **Field of Classification Search**
USPC D16/101, 300-342, 900; D29/109-110;
351/41, 44, 51-52, 62, 158, 92,
351/103-123, 140-153, 63, 59, 45-48;
2/426-432, 447-449, 441, 434-437,
2/13, 15; D21/483, 659-661; D14/372
CPC G02C 2200/08; G02C 1/06; G02C 5/14;
G02C 5/16; G02C 11/02; G02C 11/04;
G02C 2200/22; G02C 5/146; G02C 5/2254;
G02C 5/008; A61M 2021/0044; A63B 33/002
See application file for complete search history.

- (56) **References Cited**
U.S. PATENT DOCUMENTS
D156,299 S * 11/1949 Wells D16/335
D344,092 S * 2/1994 David D16/335

- D536,028 S * 1/2007 Paulson D16/326
- D549,764 S * 8/2007 Teng D16/326
- D586,380 S * 2/2009 Yee D16/326

(Continued)

Primary Examiner — Raphael Barkai
(74) *Attorney, Agent, or Firm* — Gardner, Linn, Burkhardt & Flory LLP

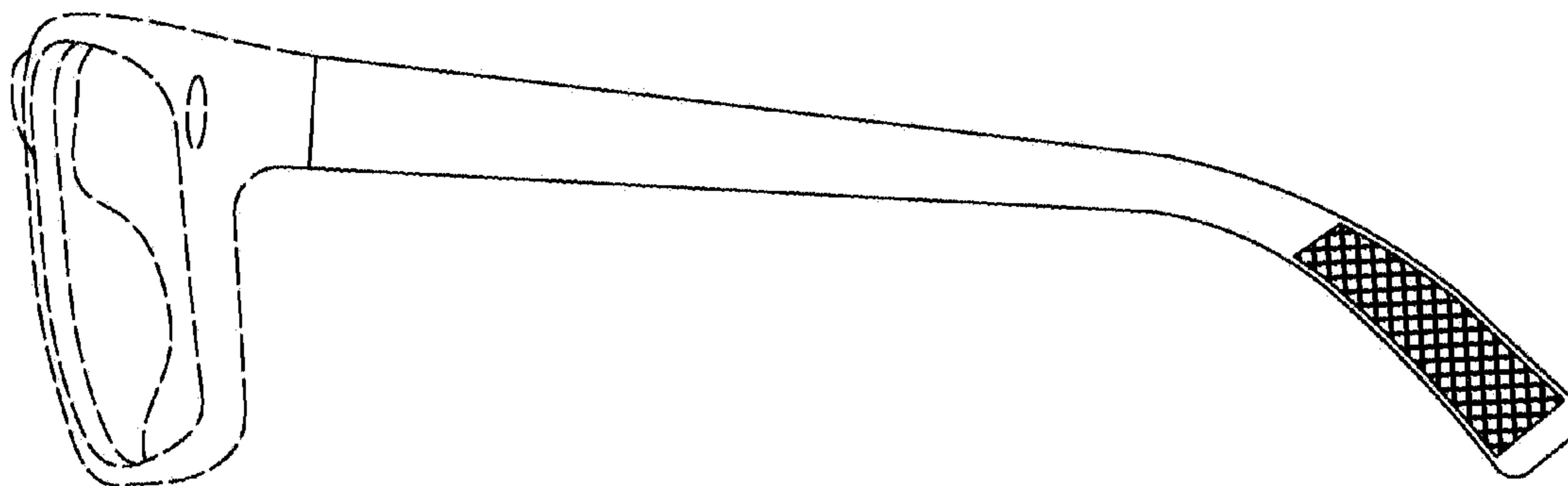
(57) **CLAIM**
The ornamental design for the arm for eyeglasses, as shown and described.

DESCRIPTION

FIG. 1 is a left side perspective view of the arm for eyeglasses; FIG. 2 is a left side view of the arm for eyeglasses of FIG. 1; FIG. 3 is a right side view of the arm for eyeglasses of FIG. 1; FIG. 4 is a front view of the arm for eyeglasses of FIG. 1; FIG. 5 is a rear view of the arm for eyeglasses of FIG. 1; FIG. 6 is a top view of the arm for eyeglasses of FIG. 1; FIG. 7 is a bottom view of the arm for eyeglasses of FIG. 1; FIG. 8 is an alternative left side perspective view of an arm for eyeglasses; FIG. 9 is a left side view of the arm for eyeglasses of FIG. 8; FIG. 10 is a right side view of the arm for eyeglasses of FIG. 8; FIG. 11 is a front view of the arm for eyeglasses of FIG. 8; FIG. 12 is a rear view of the arm for eyeglasses of FIG. 8; FIG. 13 is a top view of the arm for eyeglasses of FIG. 8; and FIG. 14 is a bottom view of the arm for eyeglasses of FIG. 8; and FIG. 15 is a left side close up view of the tip of the arm for eyeglasses of FIG. 1; and, FIG. 16 is a left side close up view of the tip of the arm for eyeglasses of FIG. 8.

The broken lines are for illustrative purposes only and form no part of the claimed design.

1 Claim, 10 Drawing Sheets



US D750,699 S

Page 2

(56)

References Cited

U.S. PATENT DOCUMENTS

D619,162 S * 7/2010 Chow D16/335
D621,868 S * 8/2010 Gonzalez D16/335
D656,177 S * 3/2012 Sallard D16/326

D676,479 S * 2/2013 Yoo D16/326
D676,898 S * 2/2013 Shin et al. D16/335
D678,390 S * 3/2013 Fuchs D16/315
D726,811 S * 4/2015 Sallard D16/335
D733,212 S * 6/2015 Stables D16/326

* cited by examiner

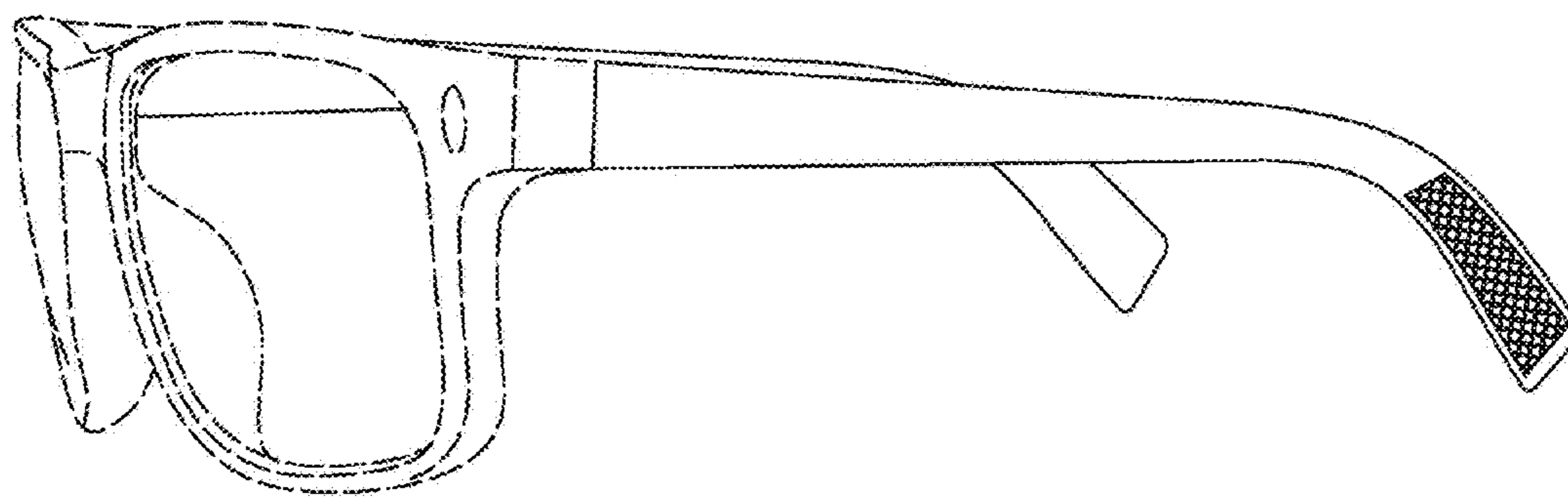


FIG. 1

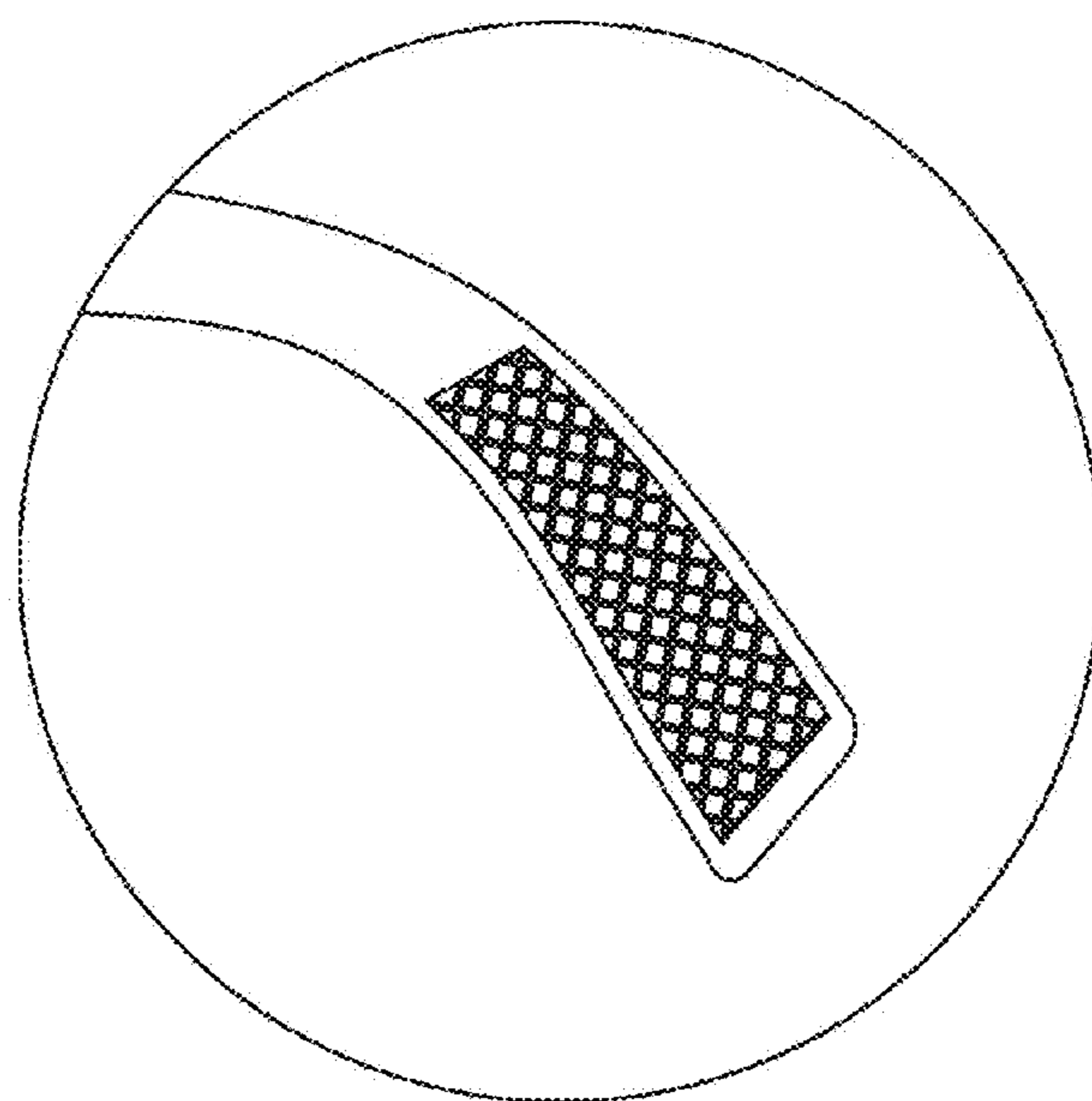


FIG. 15

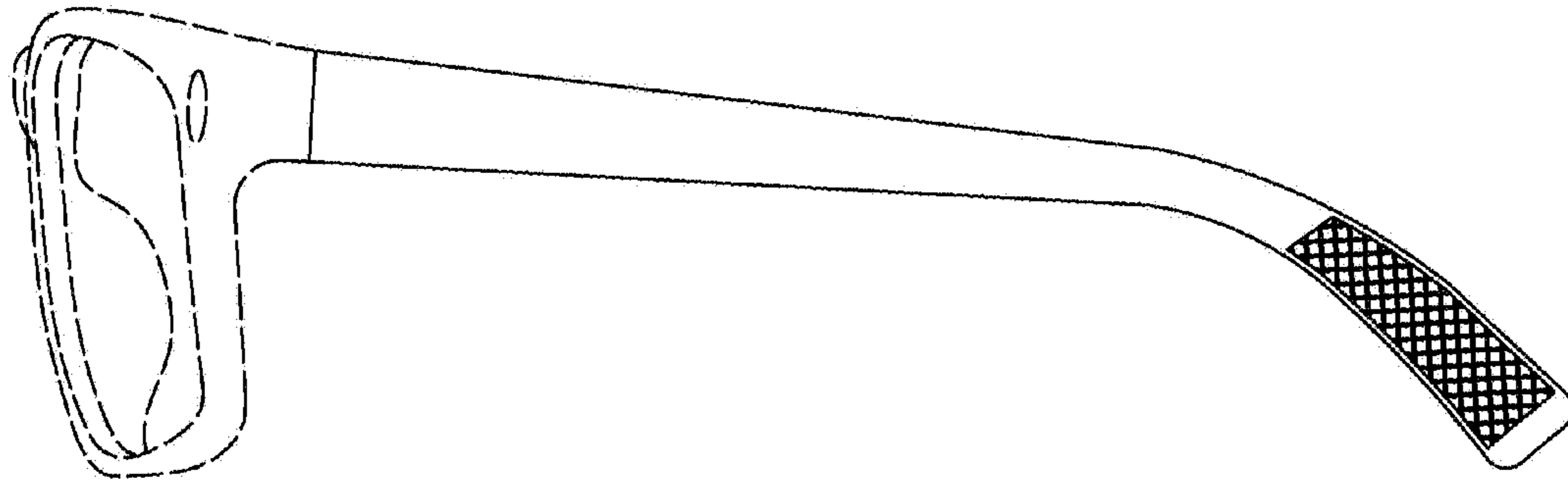


FIG. 2

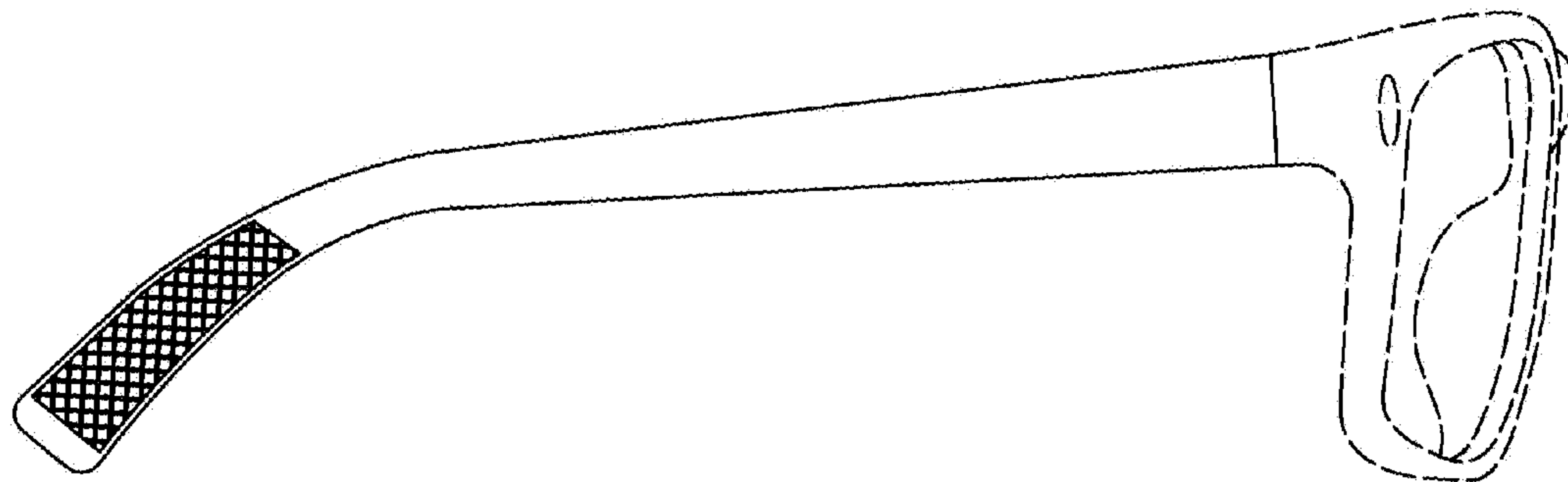


FIG. 3

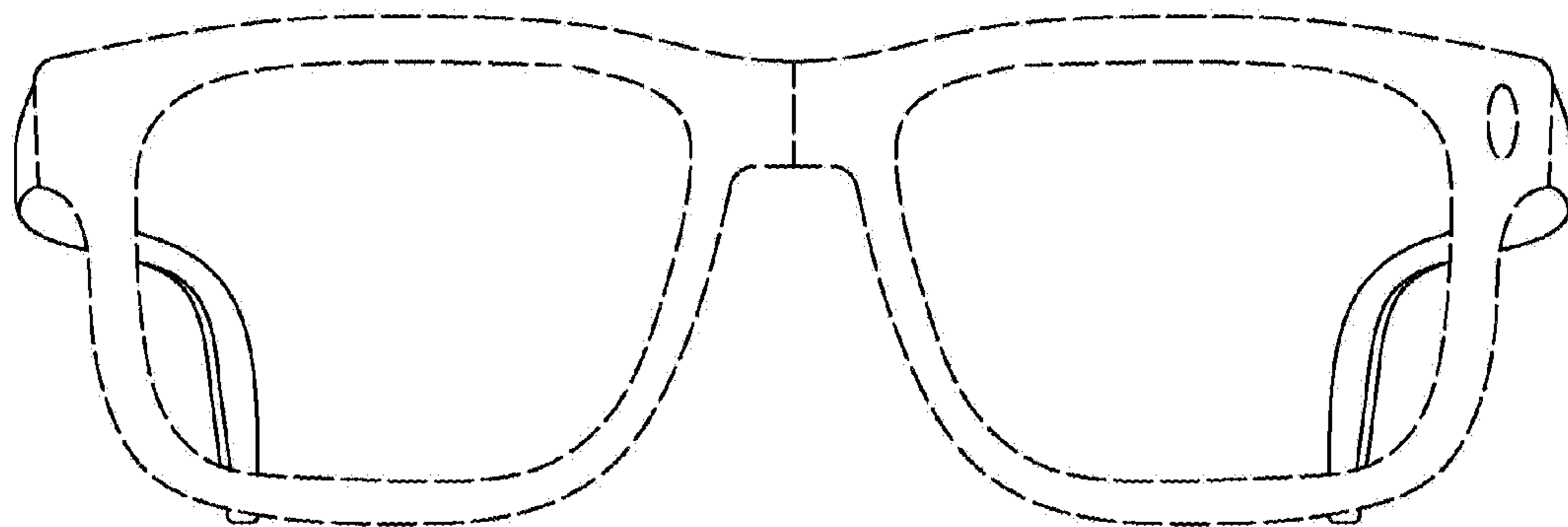


FIG. 4

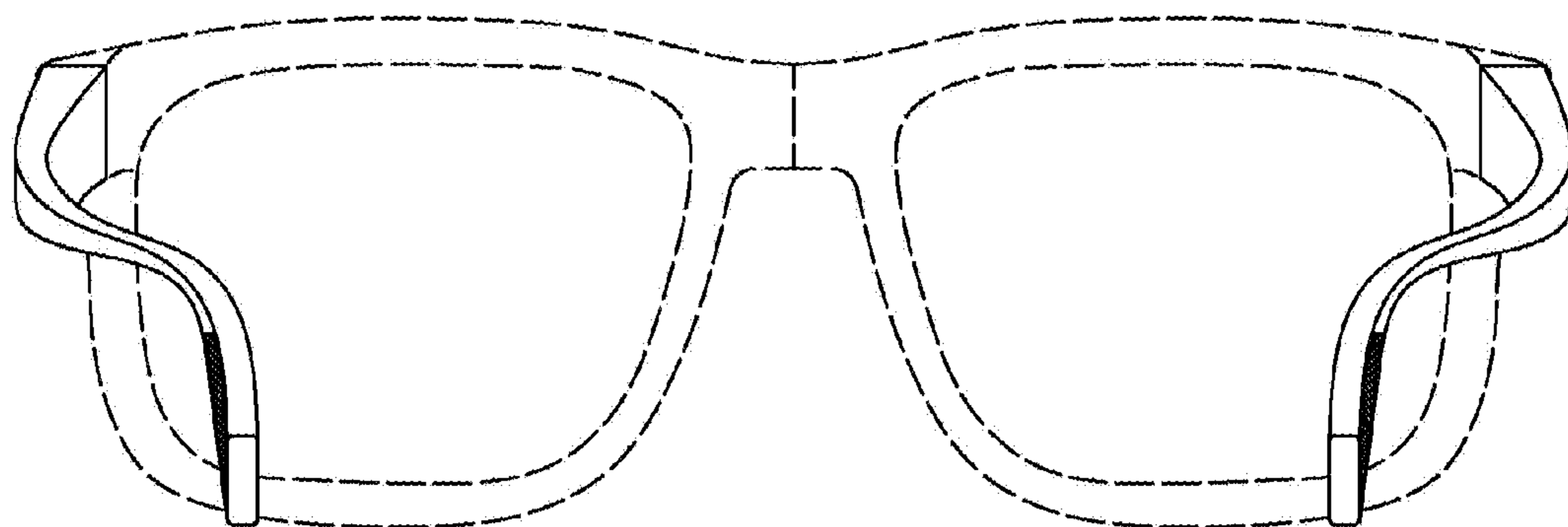


FIG. 5

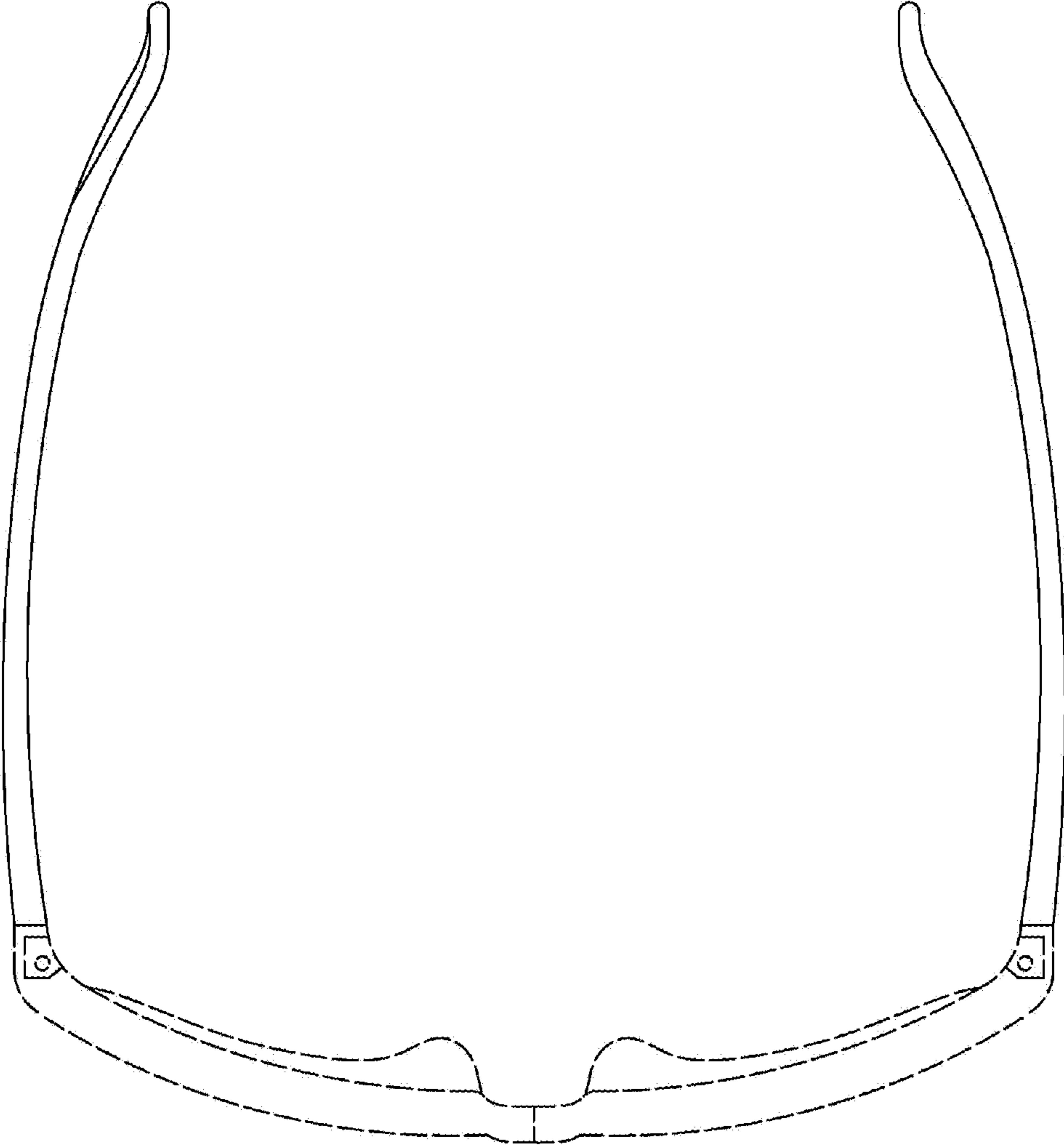


FIG. 6

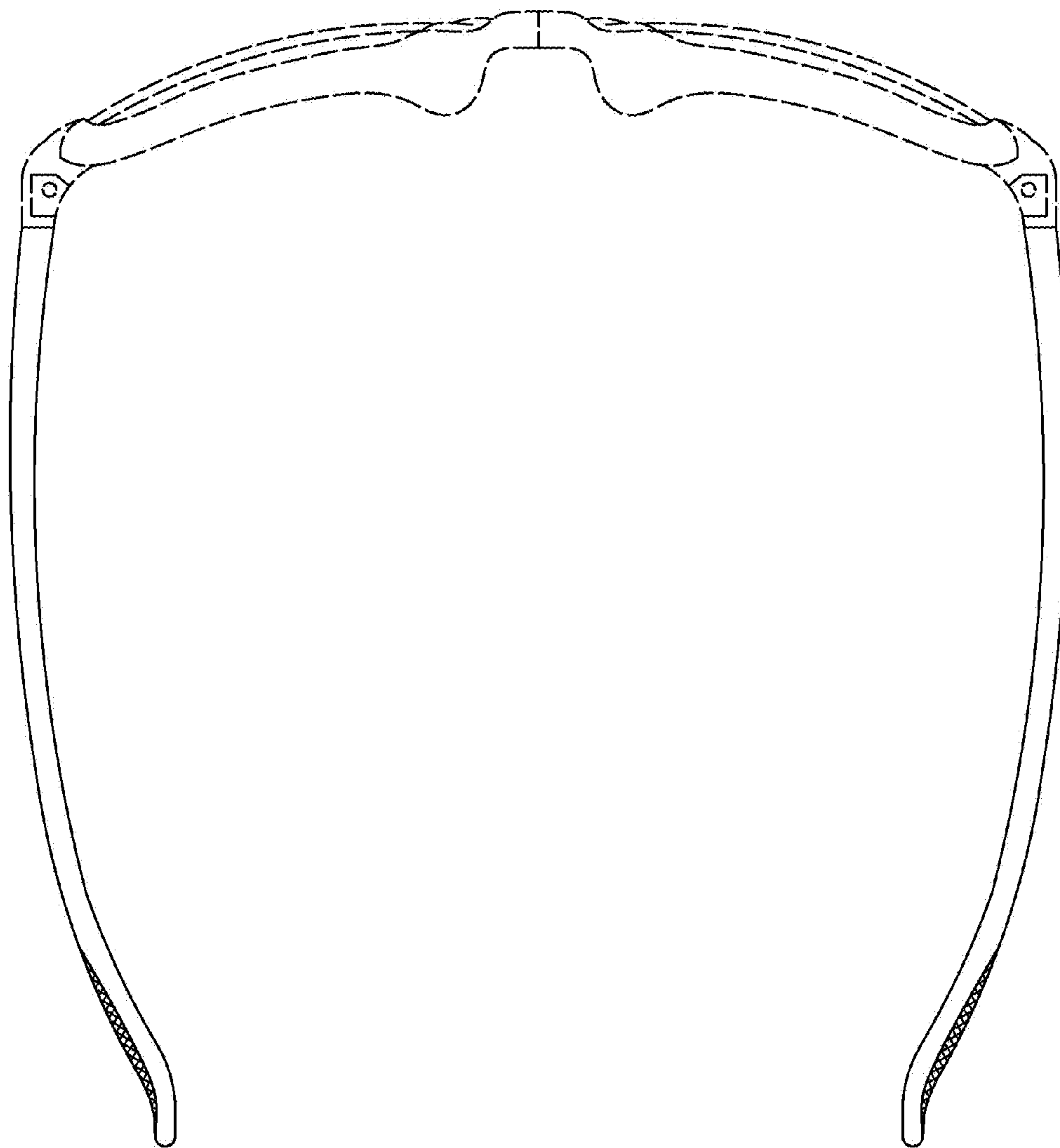


FIG. 7

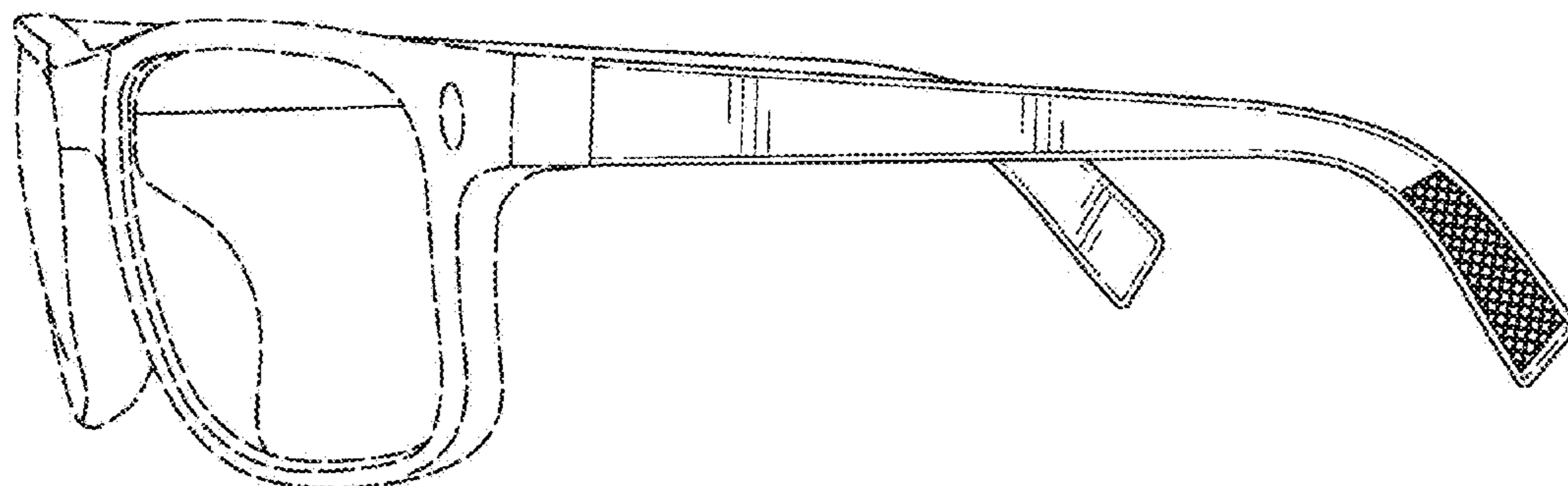


FIG. 8

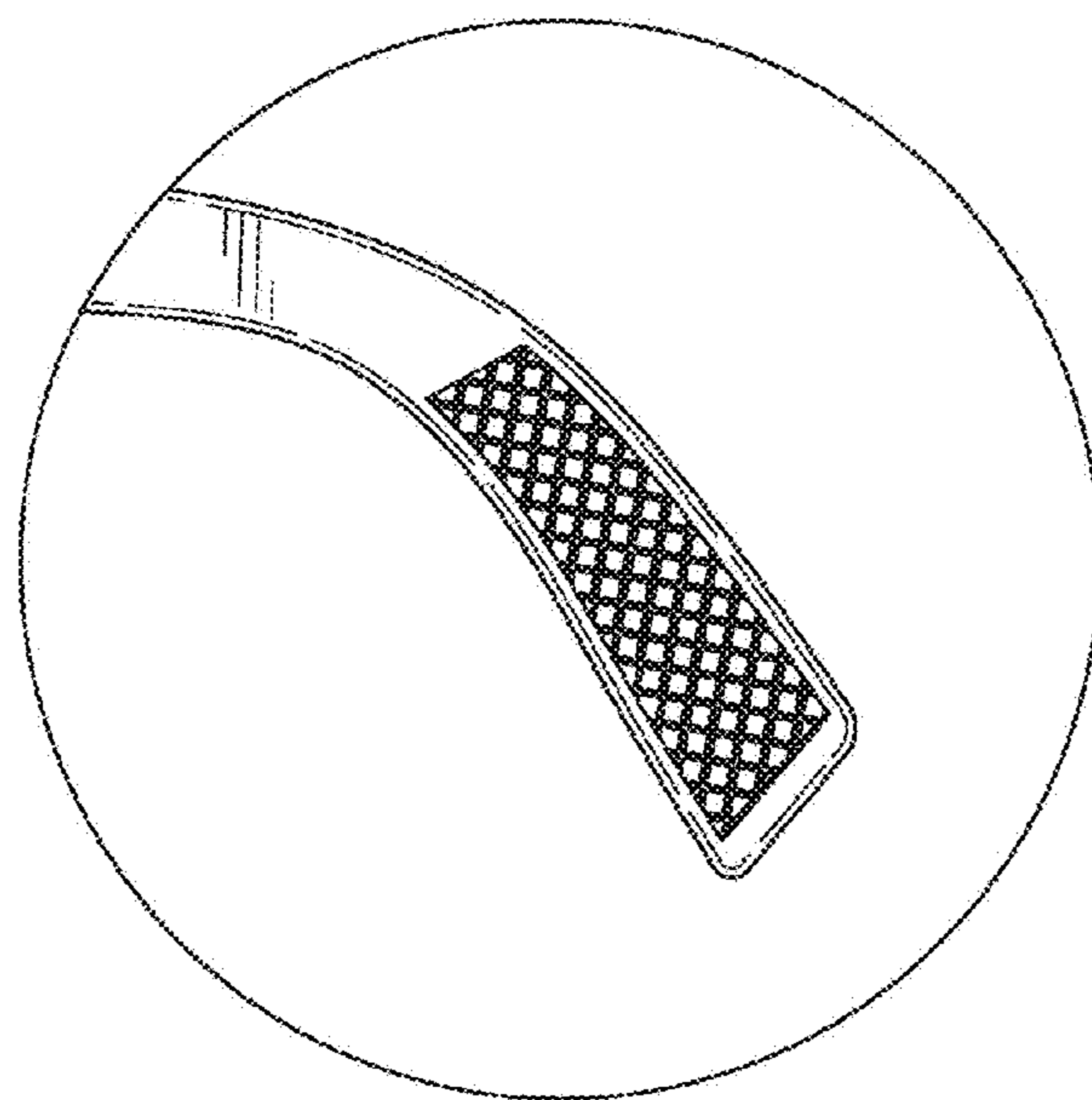


FIG. 16

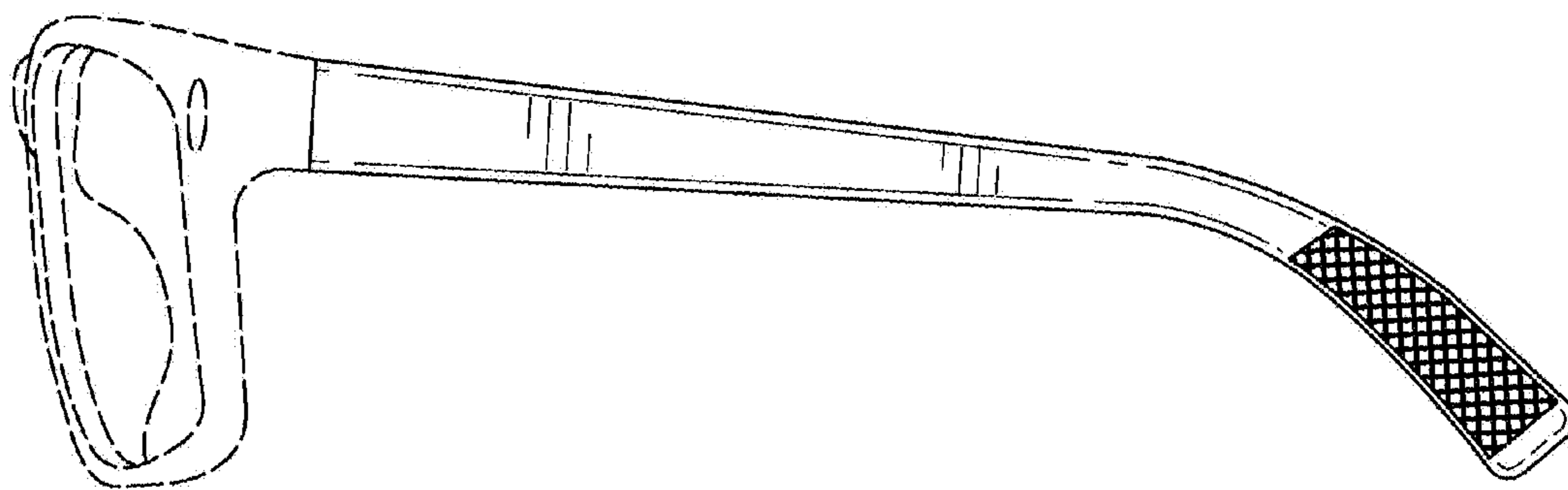


FIG. 9

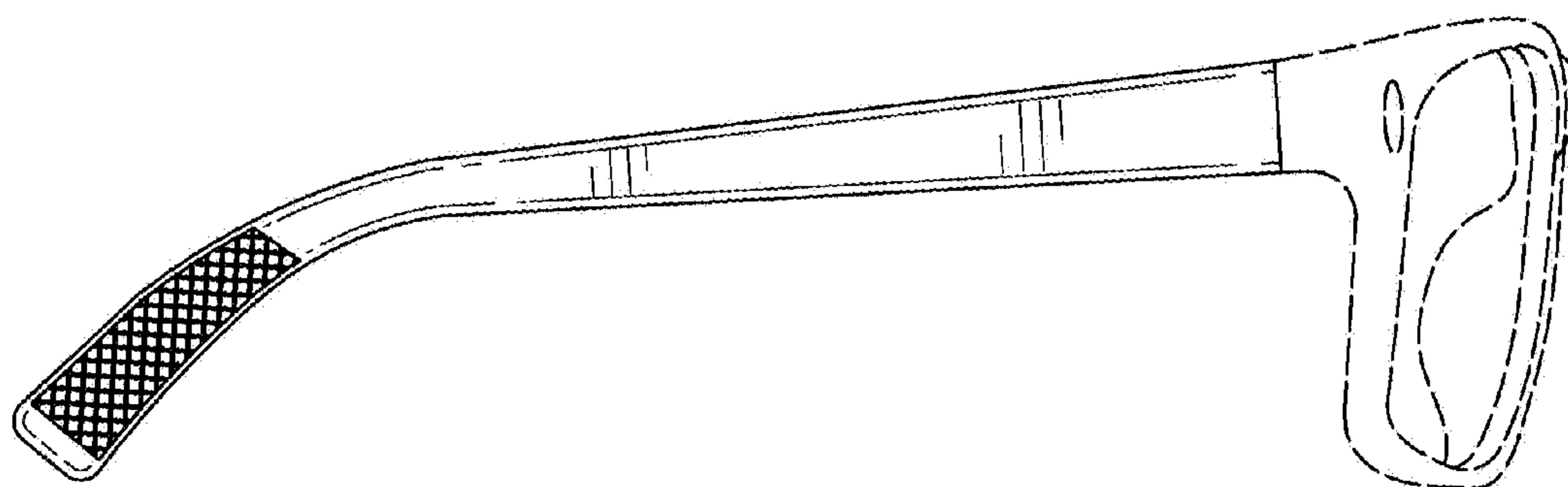


FIG. 10

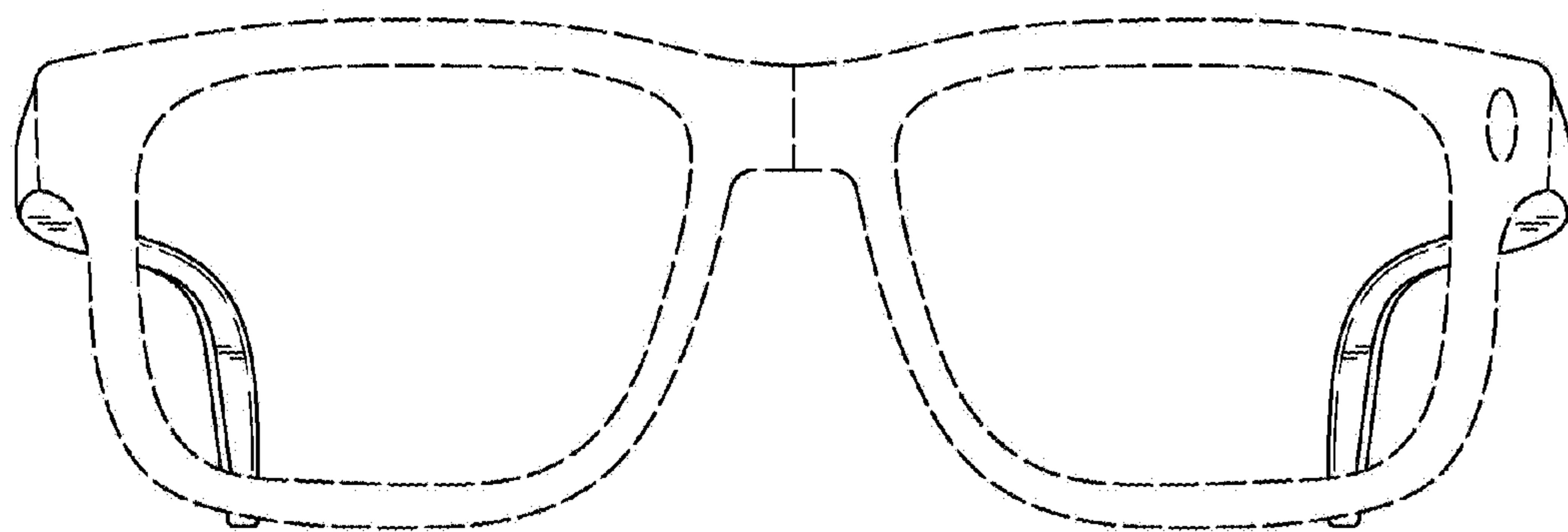


FIG. 11

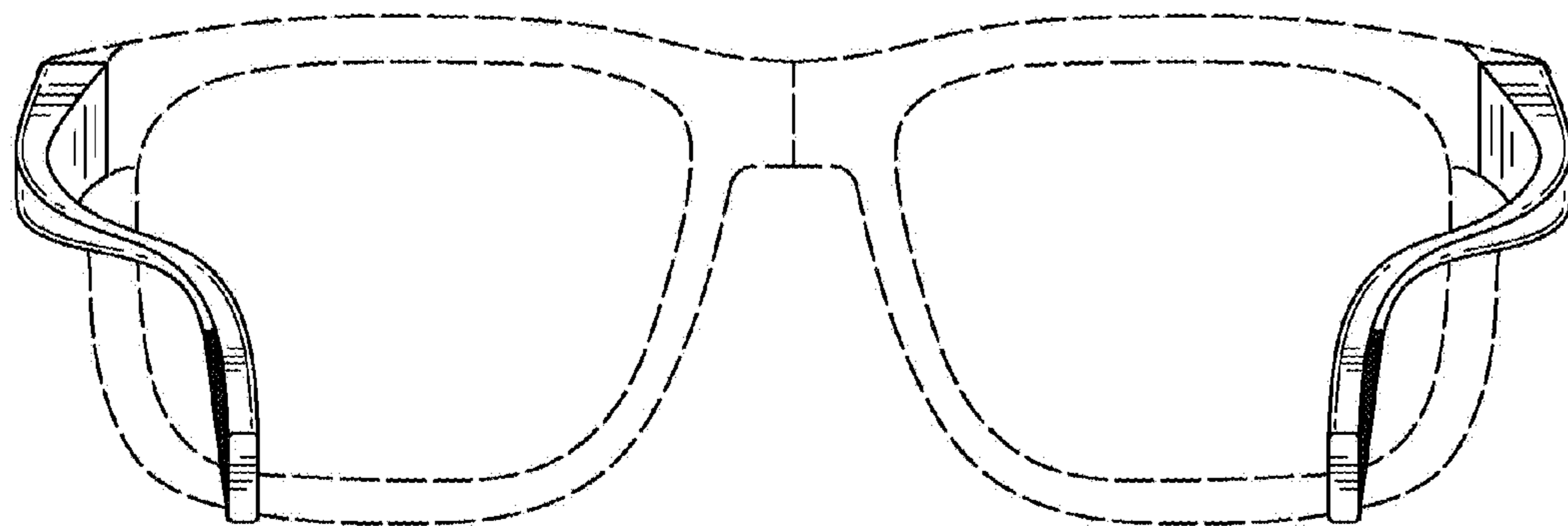


FIG. 12

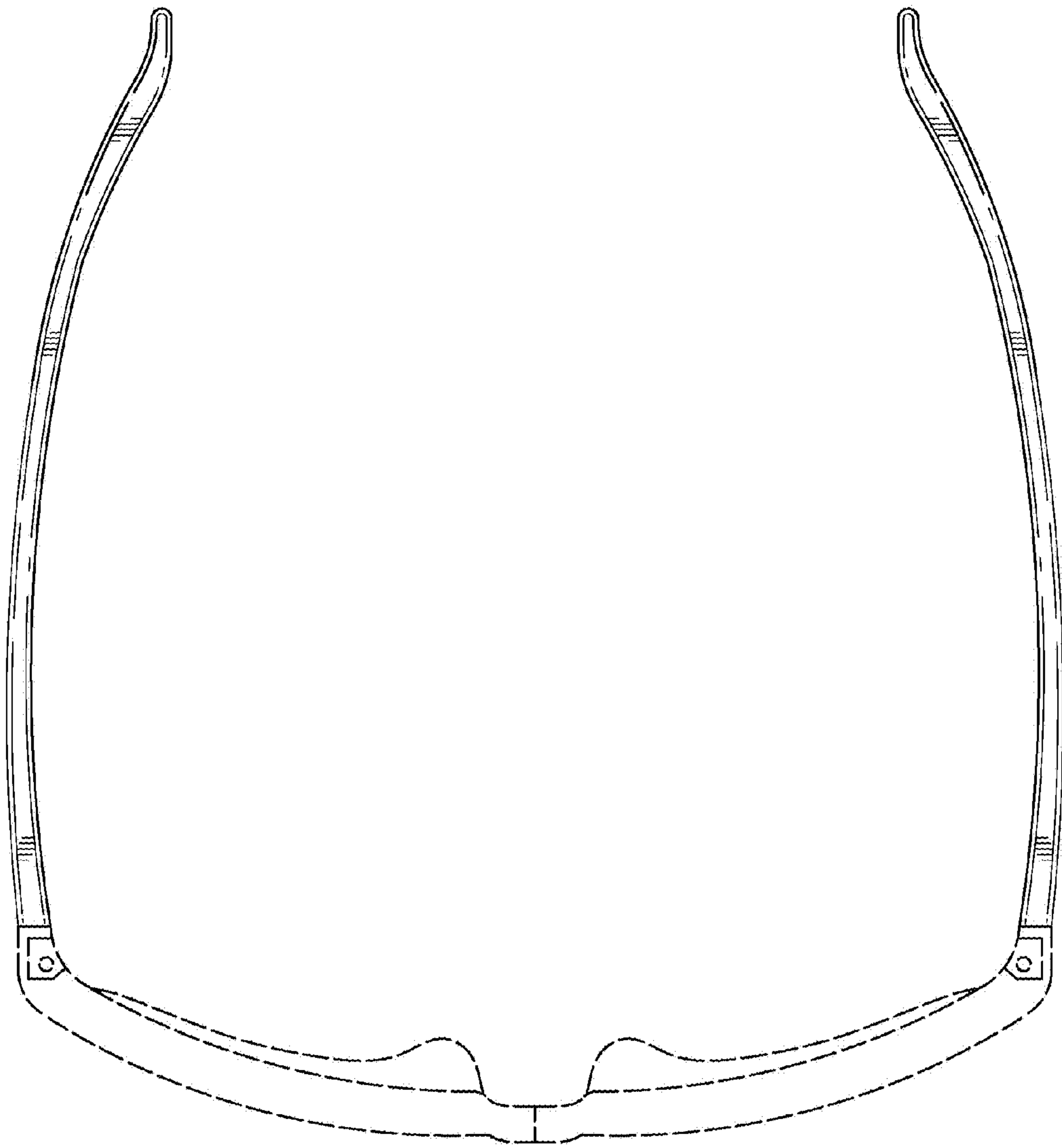


FIG. 13

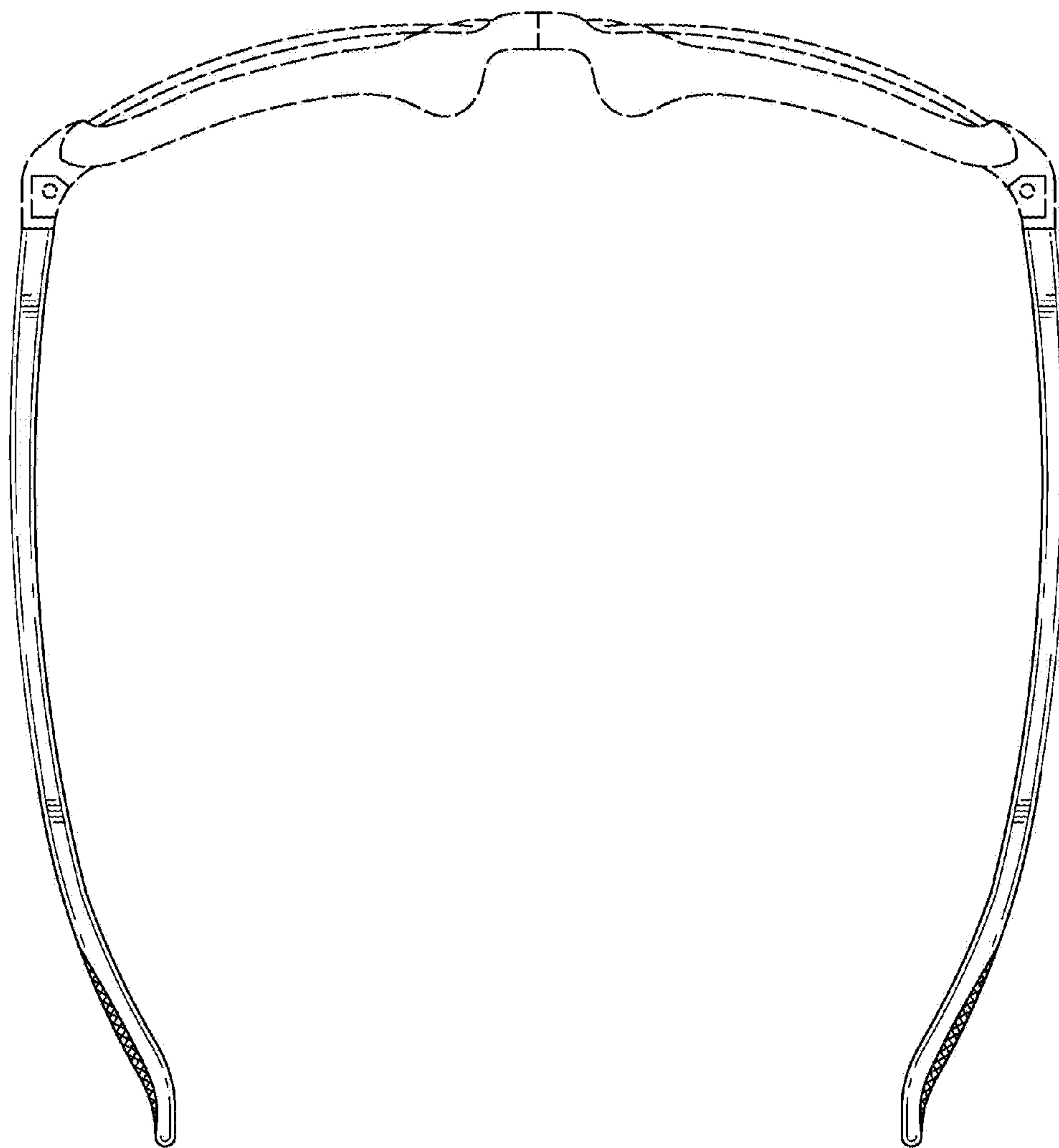


FIG. 14