



US00D750692S

(12) **United States Design Patent**
Tirosh

(10) **Patent No.:** **US D750,692 S**
(45) **Date of Patent:** **** *Mar. 1, 2016**

(54) **SLIDE PROJECTOR BASE FOR CAMERA LENS AND STROBE**

Internet: <URL: <http://www.the-ditital-picture.com/Reviews/Spiffy-Gear-Light-Blaster.aspx>>.*

(71) Applicant: **Orili**, Givat Brener (IL)

* cited by examiner

(72) Inventor: **Udi Josef Tirosh**, Givat Brener (IL)

Primary Examiner — Wan Laymon

(*) Notice: This patent is subject to a terminal disclaimer.

(74) *Attorney, Agent, or Firm* — Loginov & Associates, PLLC; William A. Loginov

(**) Term: **14 Years**

(21) Appl. No.: **29/440,047**

(22) Filed: **Dec. 18, 2012**

(51) **LOC (10) Cl.** **16-05**

(52) **U.S. Cl.**
USPC **D16/237**

(58) **Field of Classification Search**
USPC D16/235, 219, 221, 237, 245, 225, 136;
D26/118; 353/103, 112, 118-119, 122,
353/115; 359/221.2

See application file for complete search history.

(56) **References Cited**

U.S. PATENT DOCUMENTS

D223,549 S * 5/1972 Vinson D16/237
D605,339 S * 12/2009 Quadri D26/118
D652,983 S * 1/2012 Quadri D26/118

FOREIGN PATENT DOCUMENTS

CN 301135143 * 2/2010

OTHER PUBLICATIONS

Spiffy Gear Light Blaster Strobe Based Projector Review. Review Date: Sep. 11, 2013. [Retrieved on Nov. 7, 2013]. Retrieved from the

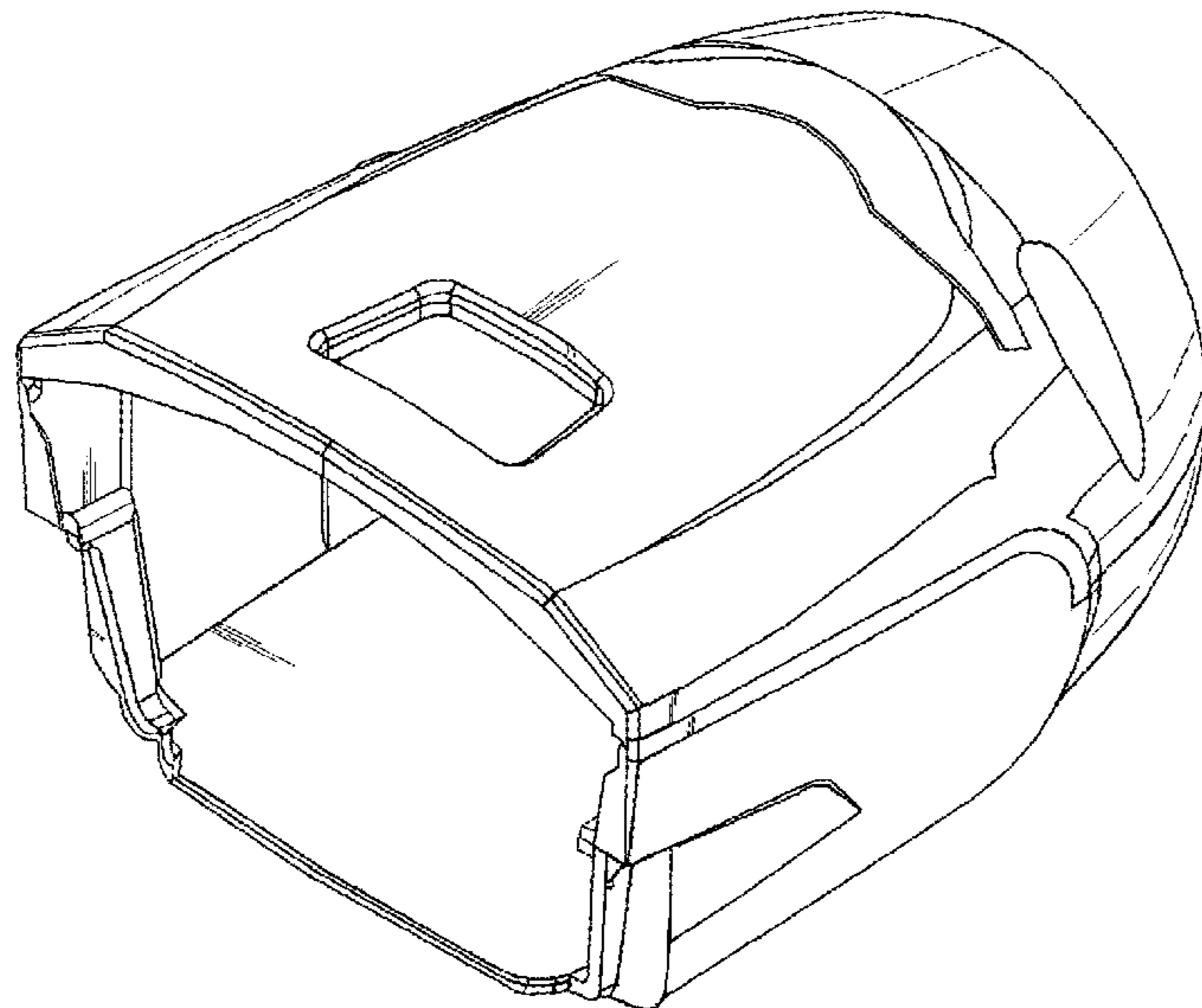
(57) **CLAIM**

The ornamental design for a slide projector base for camera lens and strobe, substantially as shown and described.

DESCRIPTION

FIG. 1 is a perspective view of a slide projector base for camera lens and strobe, according to an embodiment; FIG. 2 is a rear view of the slide projector base for camera lens and strobe, according to the embodiment; FIG. 3 is a front view of the slide projector base for camera lens and strobe, according to the embodiment; FIG. 4 is a left side view of the slide projector base for camera lens and strobe, according to the embodiment; FIG. 5 is a right side view of the slide projector base for camera lens and strobe, according to the embodiment; FIG. 6 is a top view of the slide projector base for camera lens and strobe, according to the embodiment; and, FIG. 7 is a bottom view of the of the slide projector base for camera lens and strobe, according to the embodiment. The broken lines shown in the figures are included for the purpose of illustrating portions of the article and form no part of the claimed design.

1 Claim, 4 Drawing Sheets



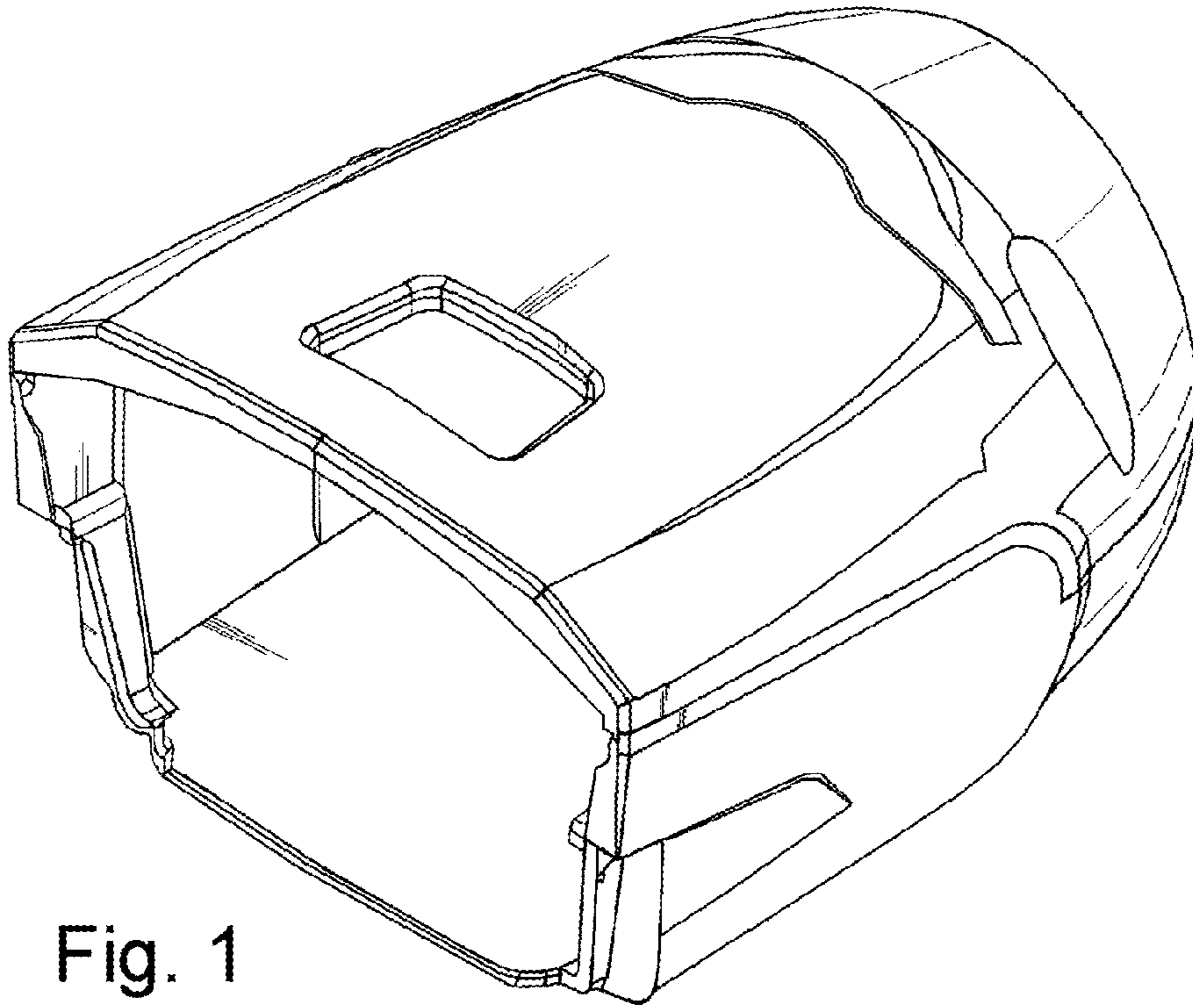


Fig. 1

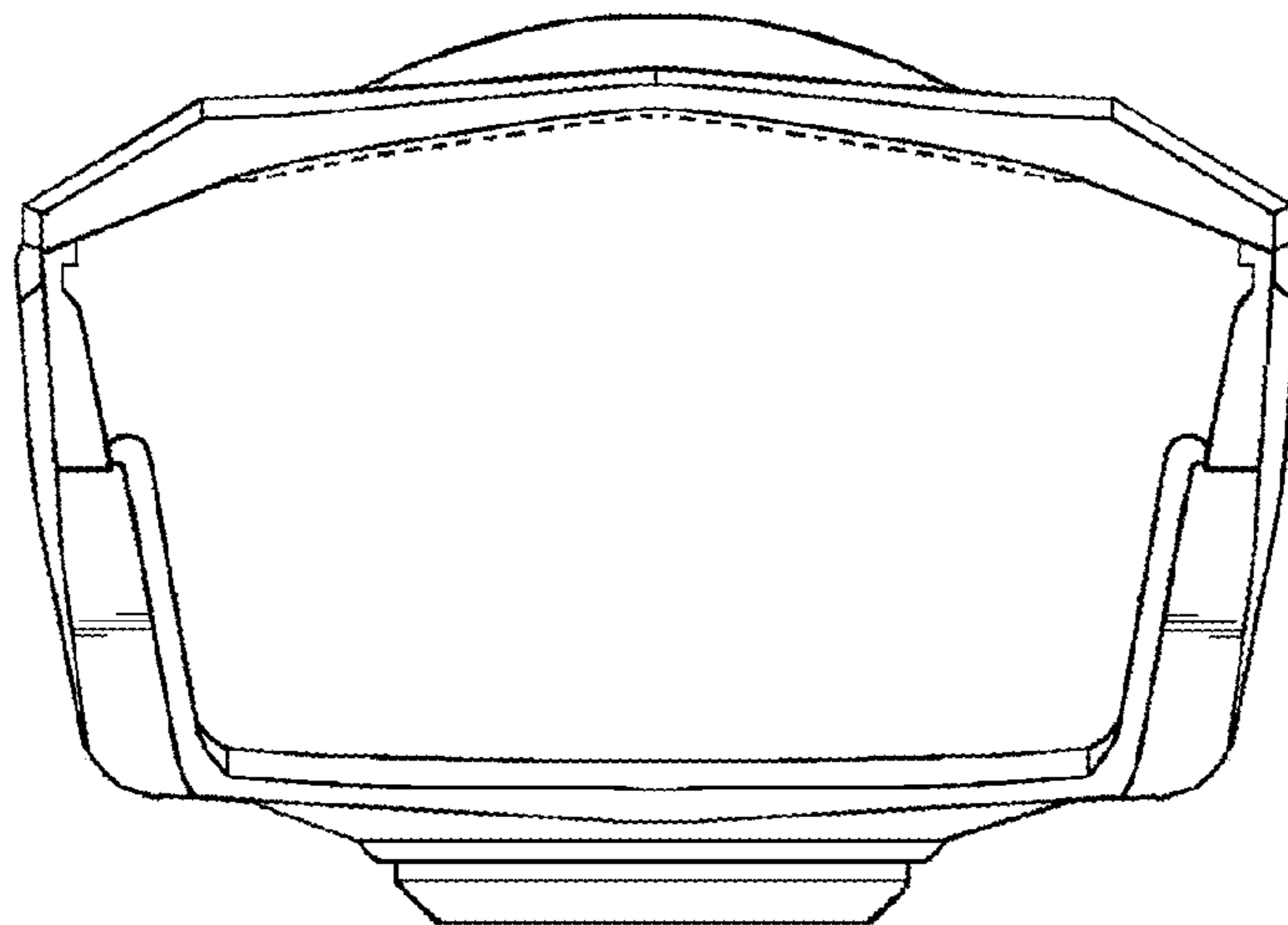


Fig. 2

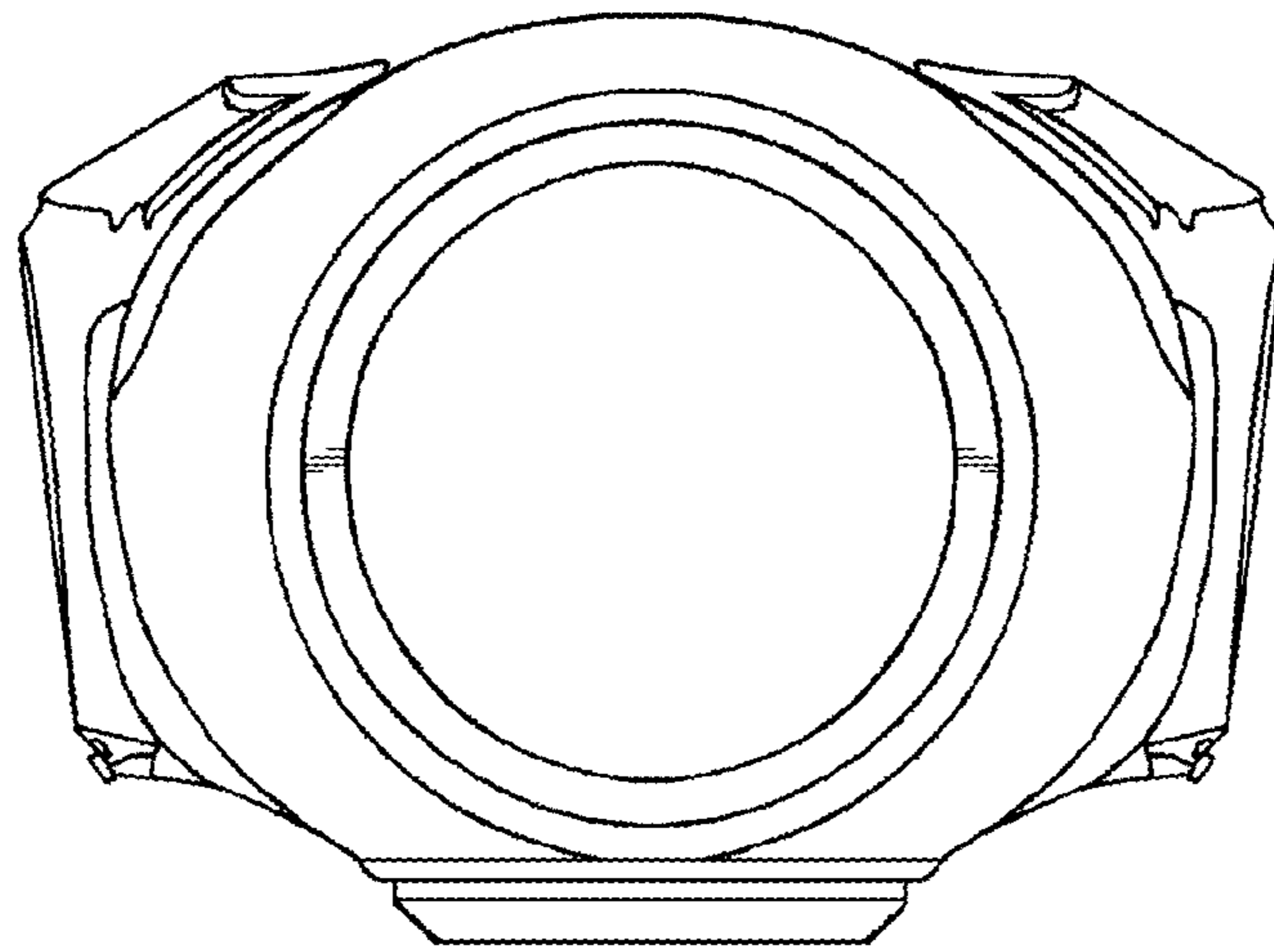


Fig. 3

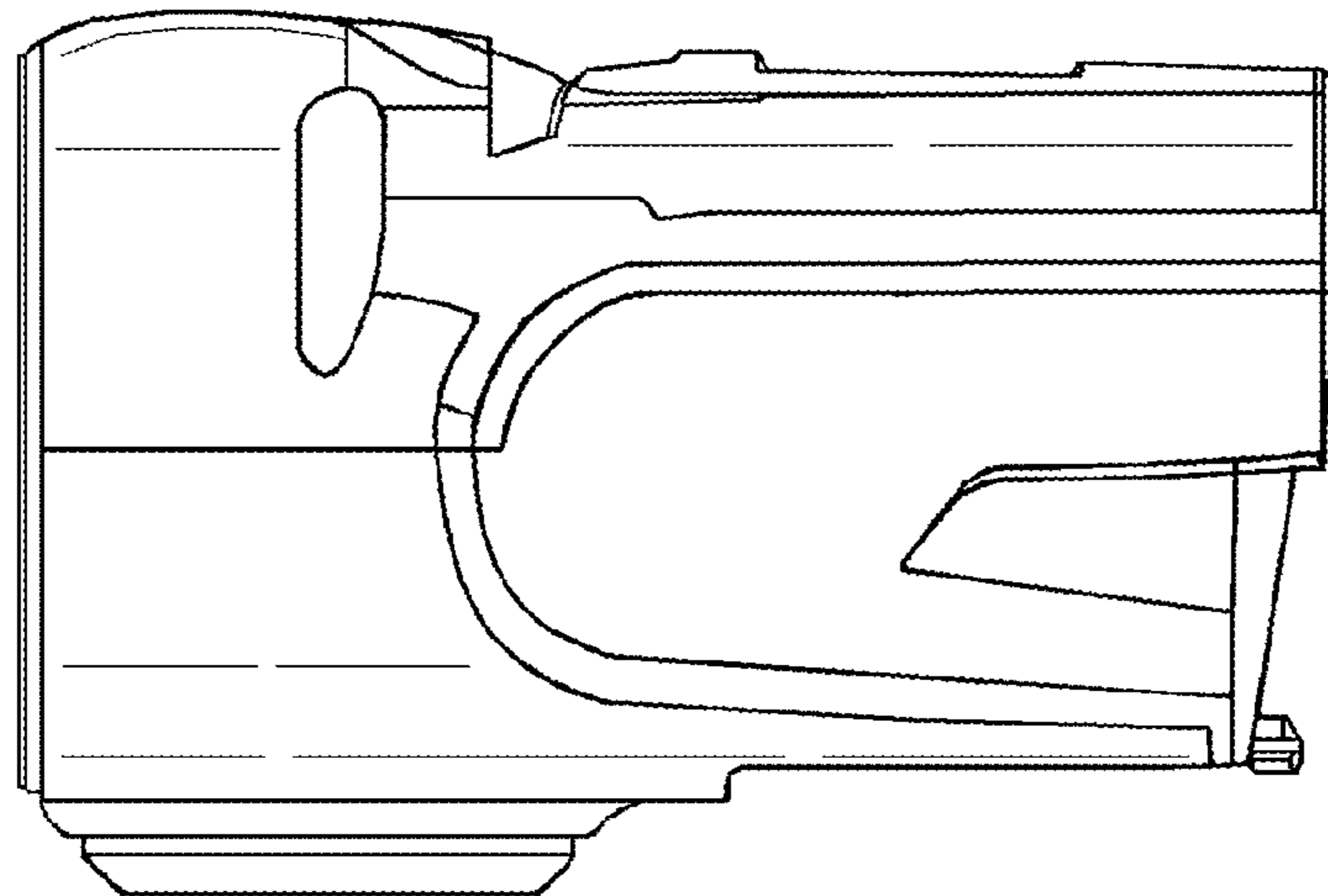


Fig. 4

Fig. 5

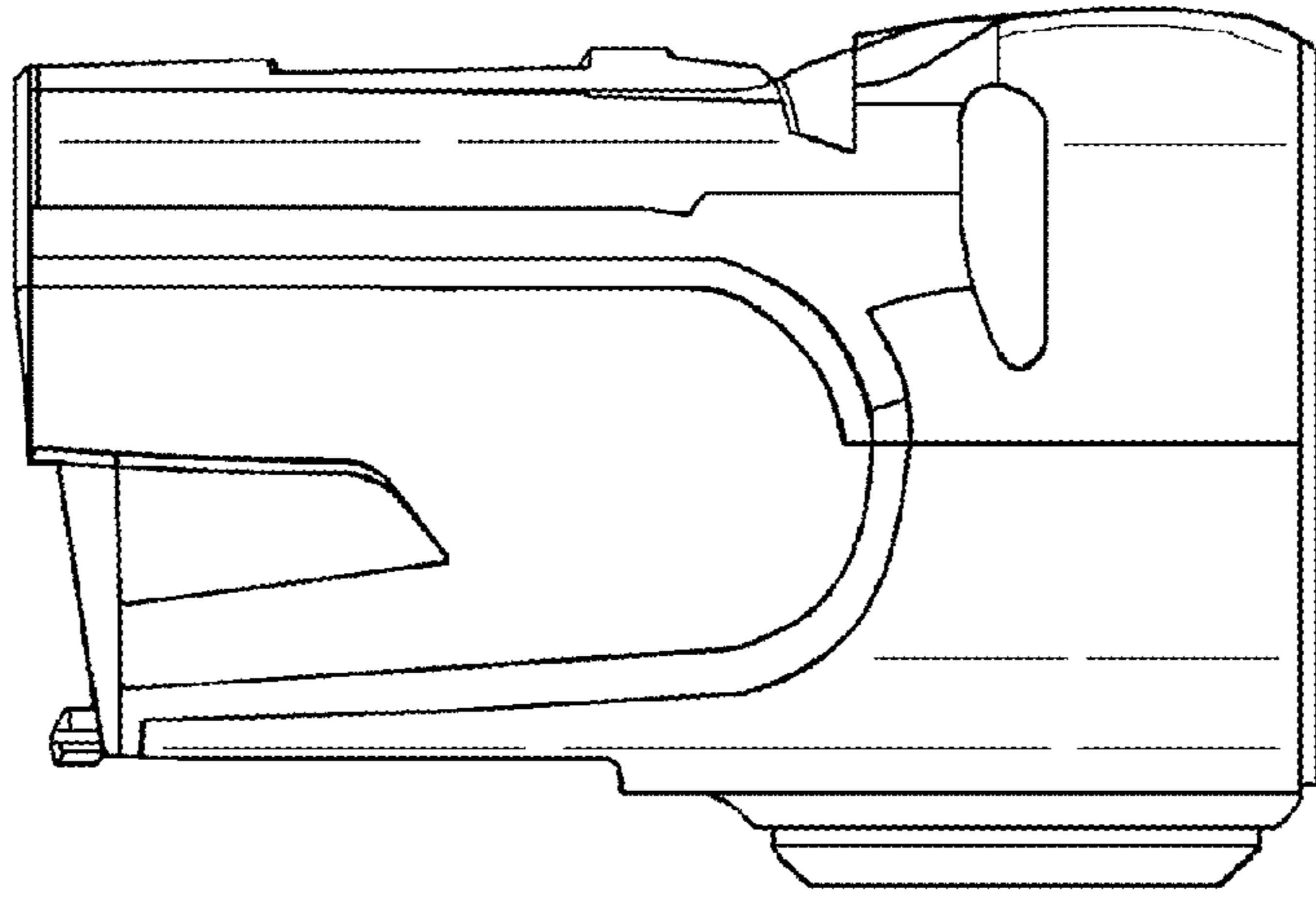
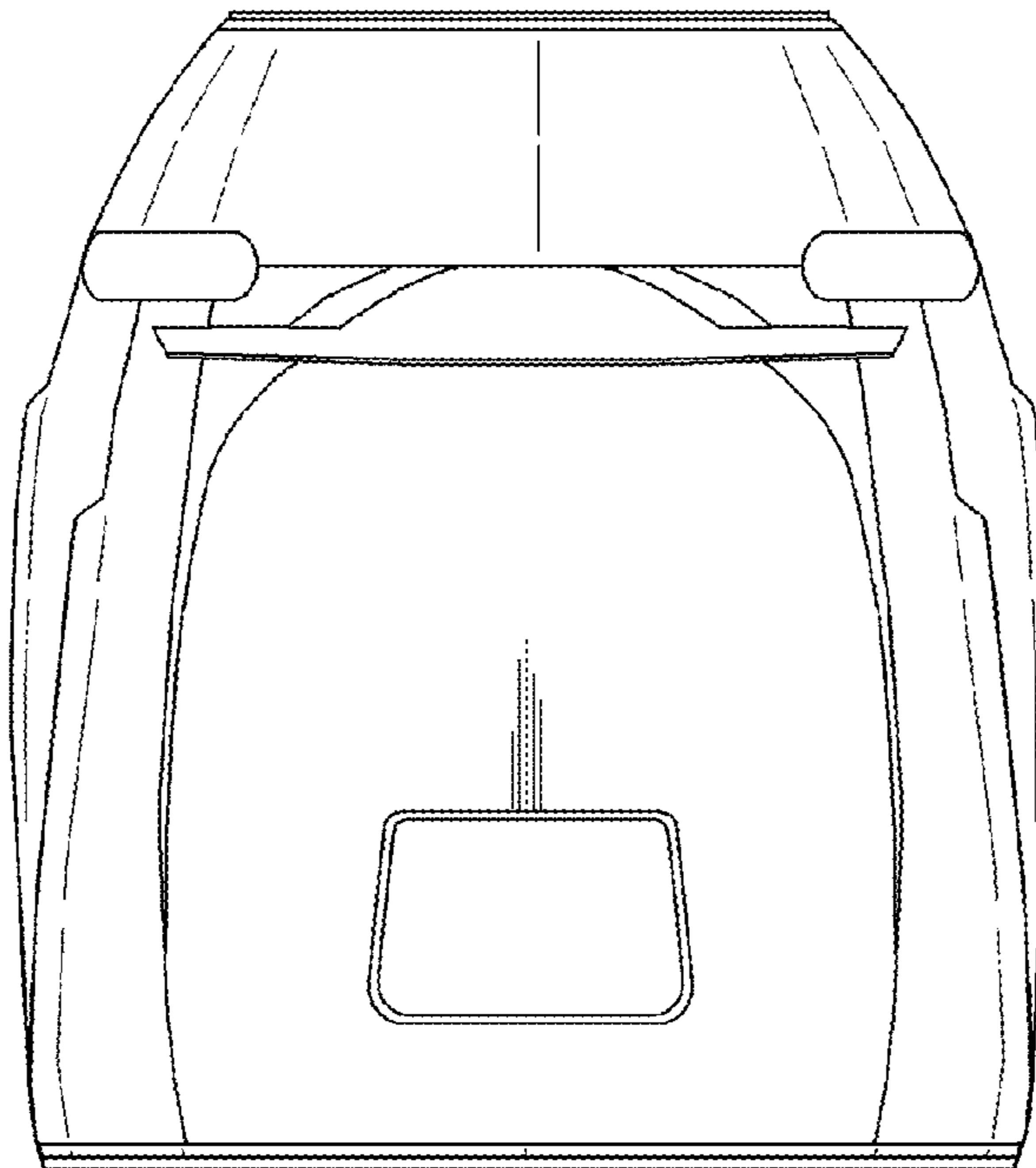


Fig. 6



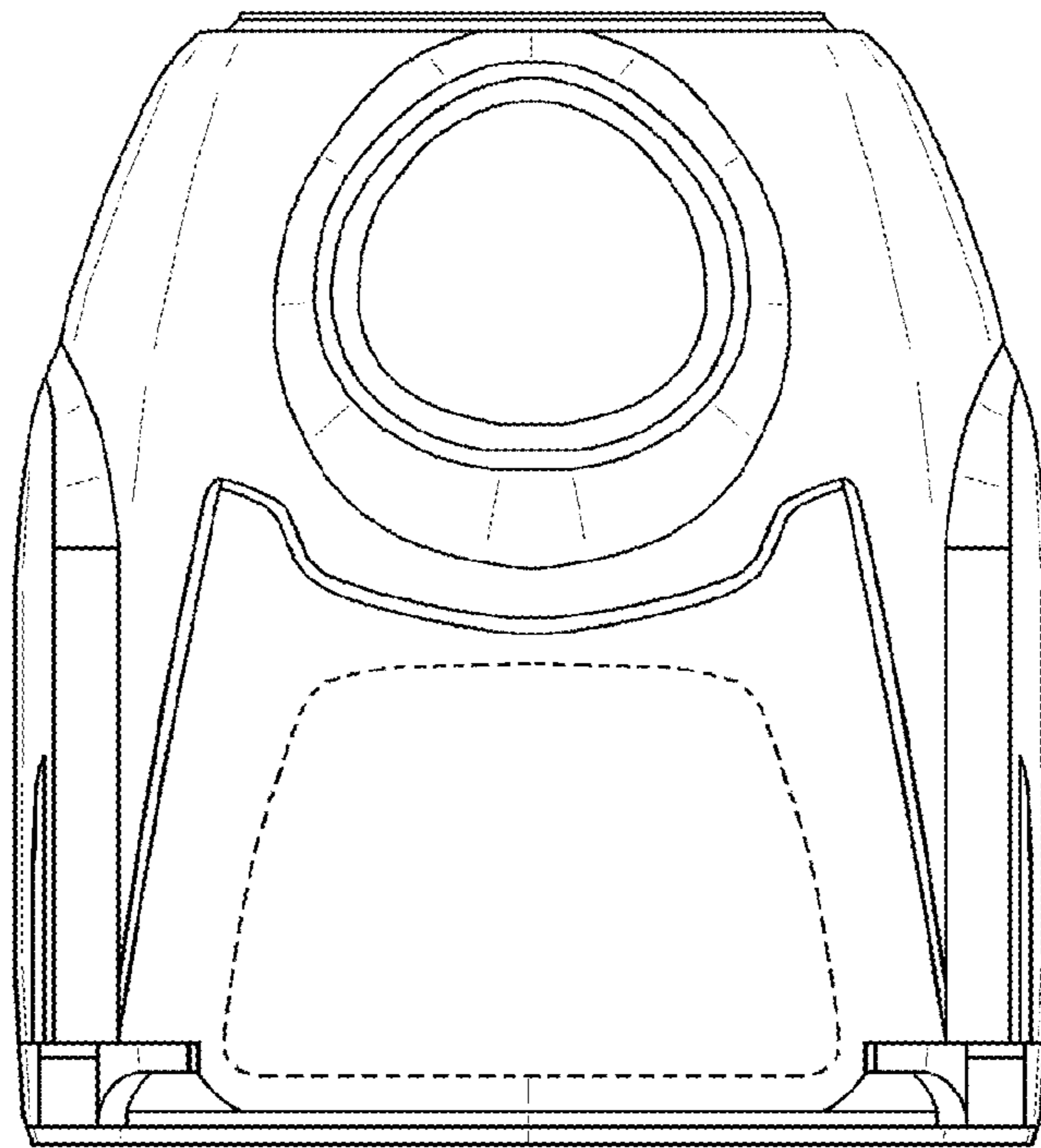


Fig. 7