



US00D750689S

(12) **United States Design Patent**  
**Oh**

(10) **Patent No.:** **US D750,689 S**  
(45) **Date of Patent:** **\*\* Mar. 1, 2016**

(54) **LENS FOR CAMERA**

(71) Applicant: **Samsung Electronics Co., Ltd.**,  
Suwon-si (KR)

(72) Inventor: **San-Hui Oh**, Seoul (KR)

(73) Assignee: **SAMSUNG ELECTRONICS CO., LTD.**, Suwon-Si (KR)

(\*\*) Term: **14 Years**

(21) Appl. No.: **29/518,876**

(22) Filed: **Feb. 27, 2015**

(30) **Foreign Application Priority Data**

Sep. 2, 2014 (KR) ..... 30-2014-0042805

(51) **LOC (10) Cl.** ..... **16-05**

(52) **U.S. Cl.**  
USPC ..... **D16/219; D16/134**

(58) **Field of Classification Search**  
USPC ..... D16/134, 136, 200, 202, 203, 218, 219;  
348/373-376; 359/818, 819, 826-828,  
359/830; 396/529-532, 535, 539-541  
CPC ..... G03B 17/00; G03B 17/02; G03B 17/04;  
G03B 17/14; H04N 5/2251; H04N 5/2252;  
H04N 5/2253; H04N 5/2254

See application file for complete search history.

(56) **References Cited**

U.S. PATENT DOCUMENTS

3,138,060	A *	6/1964	Eggert .....	G02B 7/10 396/529
D337,775	S *	7/1993	Takahashi .....	D16/134
D338,219	S *	8/1993	Takahashi .....	D16/134
D356,805	S *	3/1995	Takahashi .....	D16/134
D407,728	S *	4/1999	Miyamoto .....	D16/219
D573,167	S *	7/2008	Kitera .....	D16/219
D717,356	S *	11/2014	Nikaido .....	D16/219
2003/0189771	A1 *	10/2003	Takeda .....	H04N 5/2254 359/819
2003/0218809	A1 *	11/2003	Yamazaki .....	G02B 7/02 359/819

\* cited by examiner

*Primary Examiner* — Adir Aronovich

(74) *Attorney, Agent, or Firm* — McAndrews Held & Malloy, Ltd.

(57) **CLAIM**

The ornamental design for a lens for camera, as shown and described.

**DESCRIPTION**

FIG. 1 is a top right front perspective view of a lens for camera showing my new design;  
FIG. 2 is a front view thereof;  
FIG. 3 is a rear view thereof;  
FIG. 4 is a left side view thereof;  
FIG. 5 is a right side view thereof;  
FIG. 6 is a top view thereof; and,  
FIG. 7 is a bottom view thereof.  
The dashed broken lines are for environmental purposes only and form no part of the claimed design.

**1 Claim, 7 Drawing Sheets**

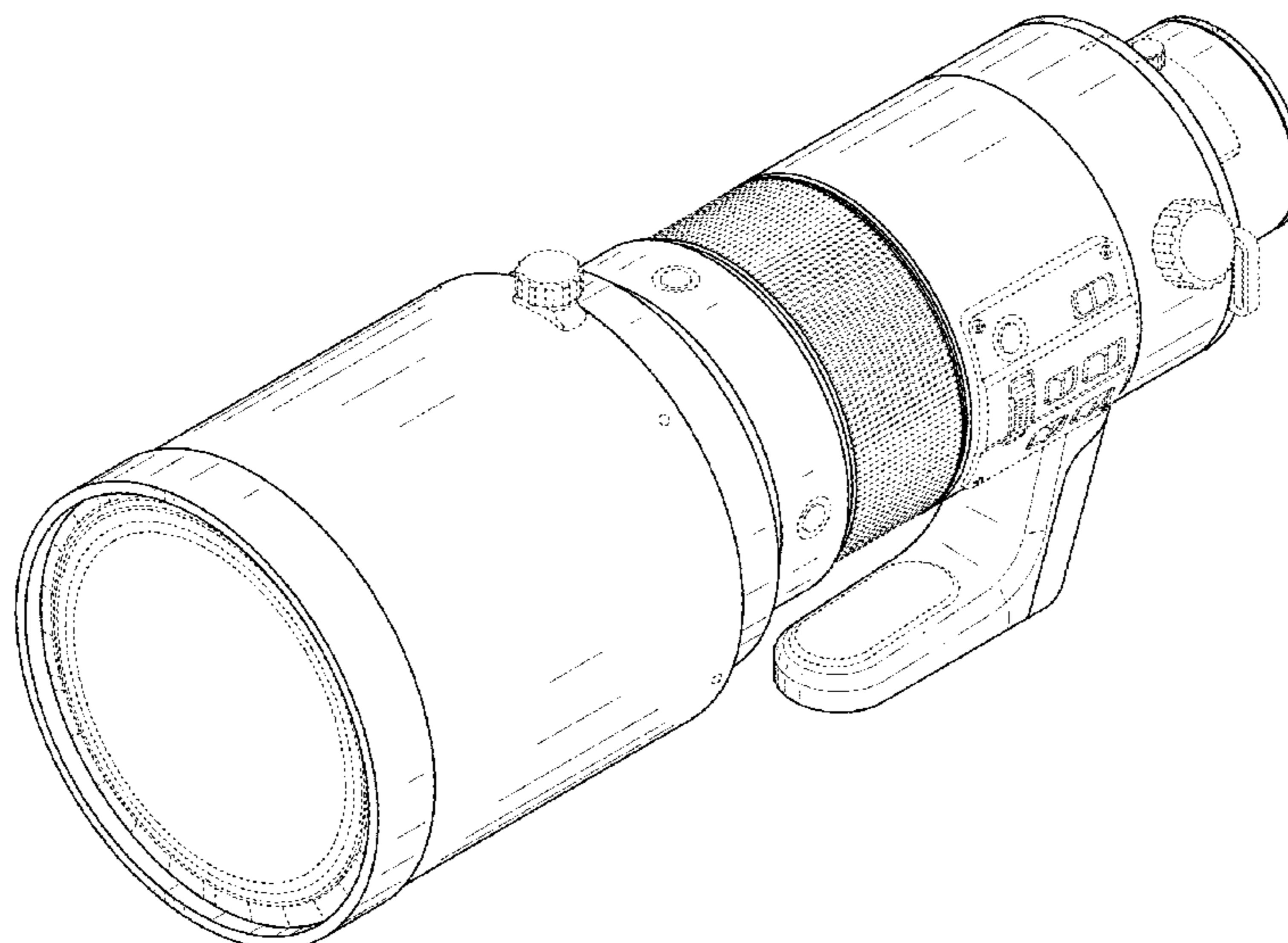


FIG. 1

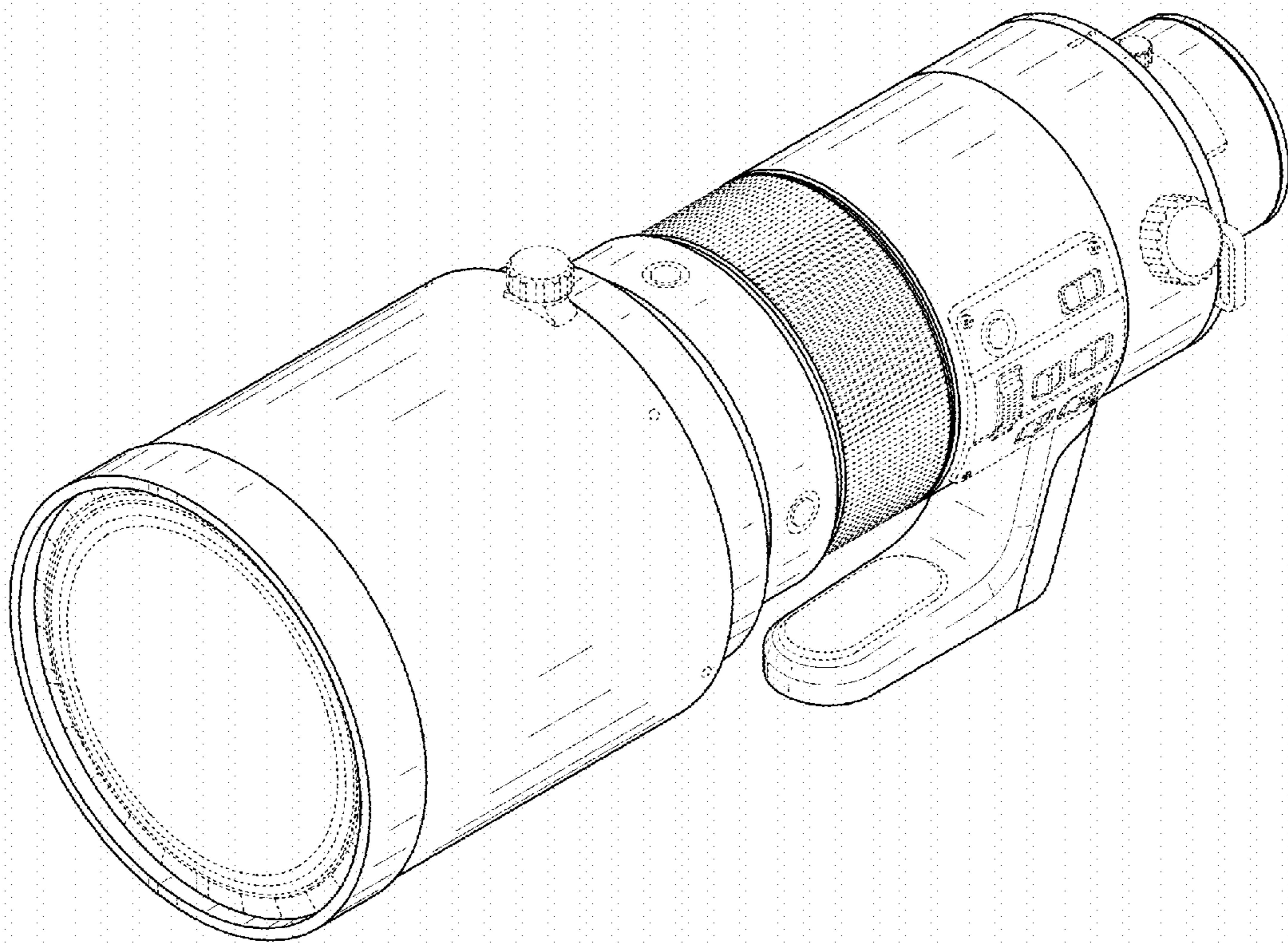


FIG. 2

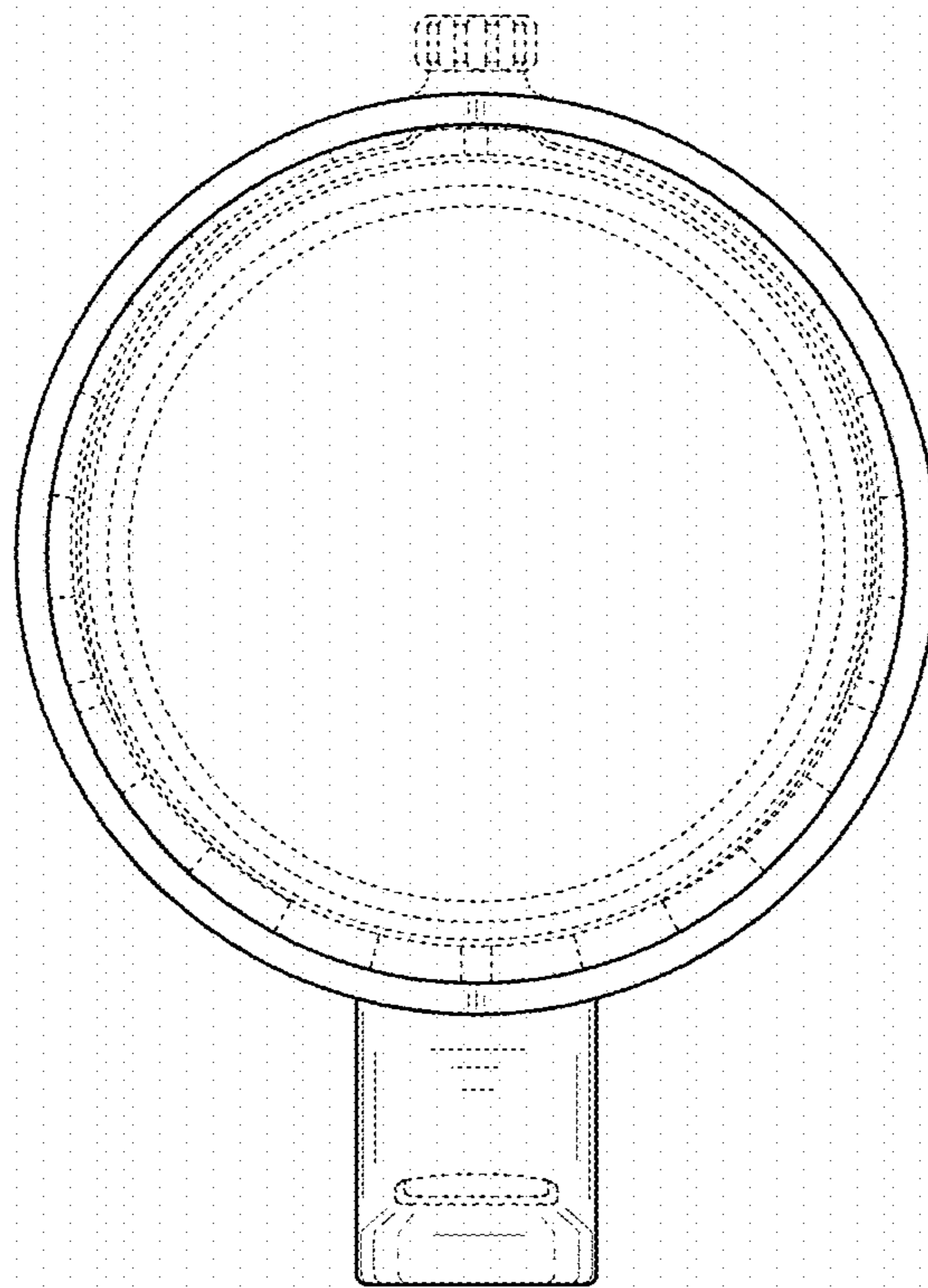


FIG. 3

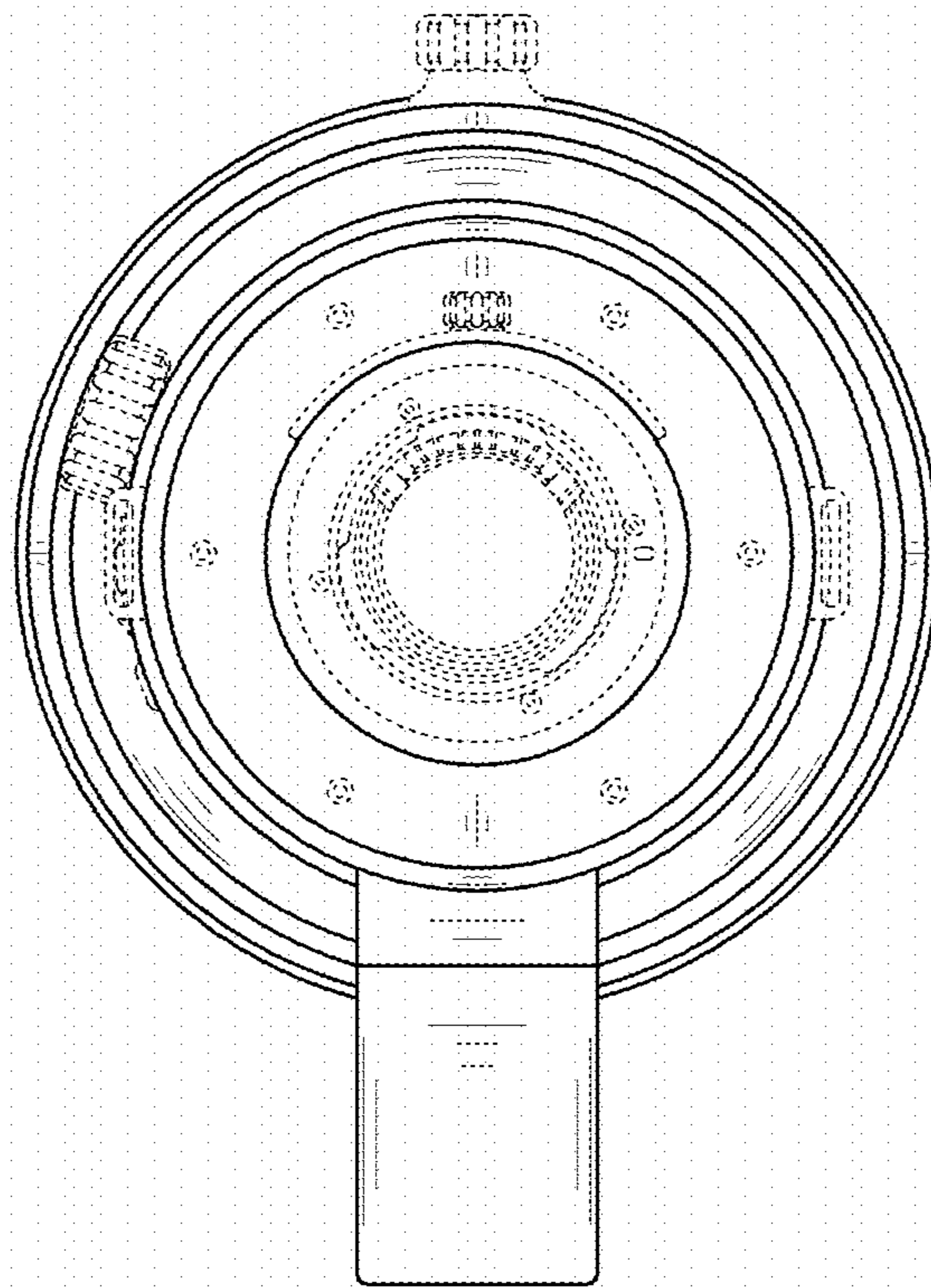


FIG. 4

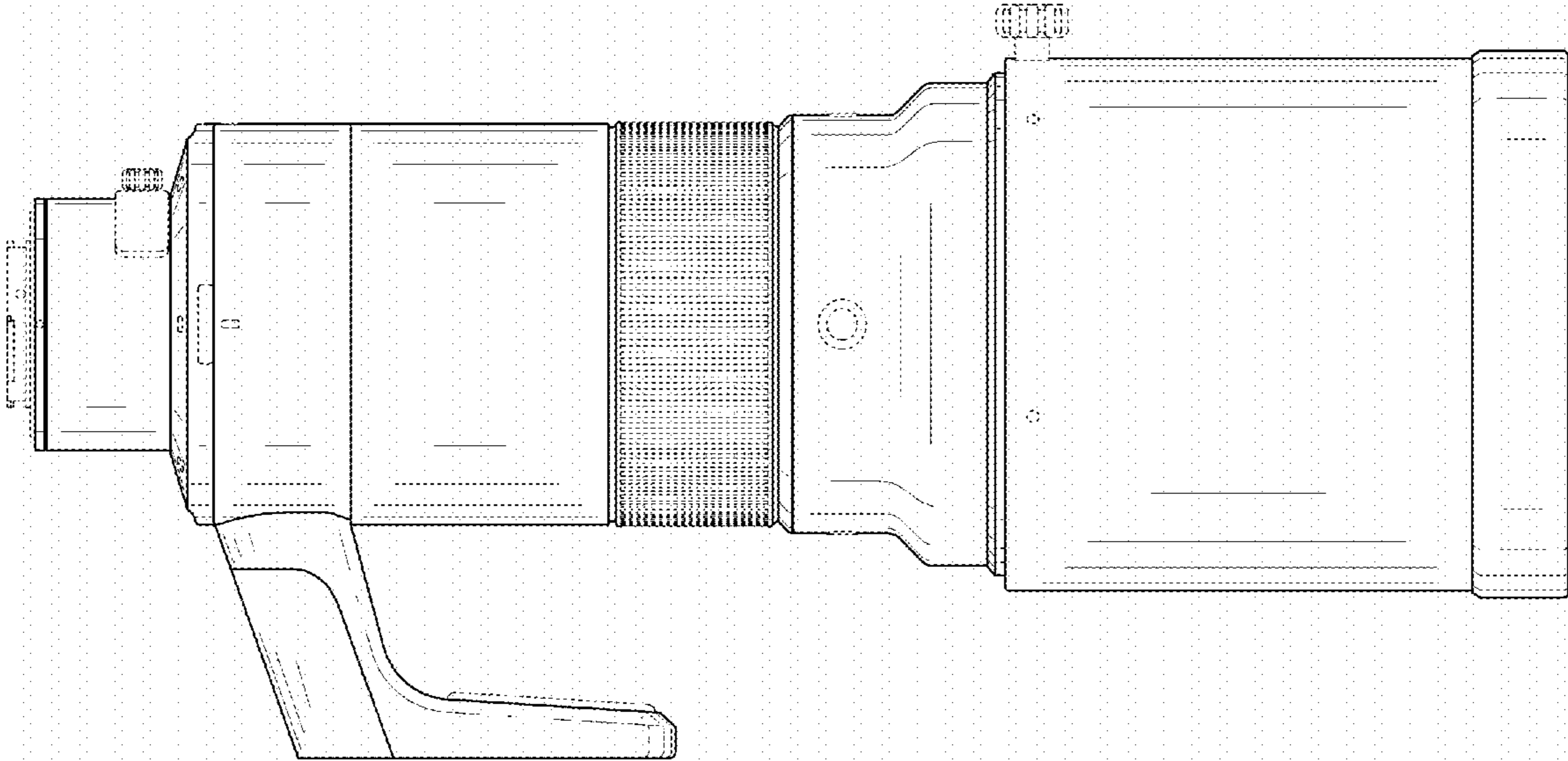


FIG. 5

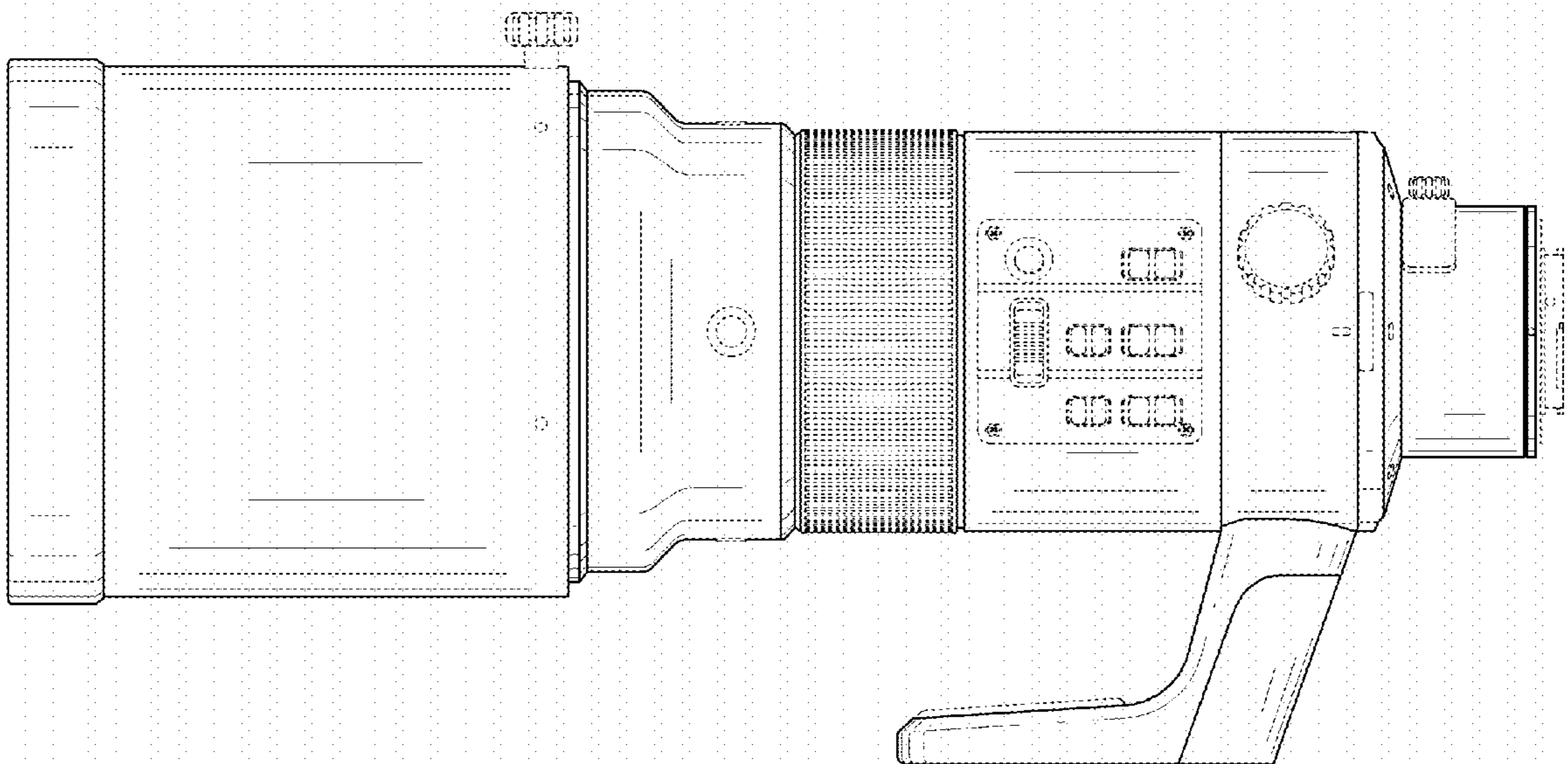


FIG. 6

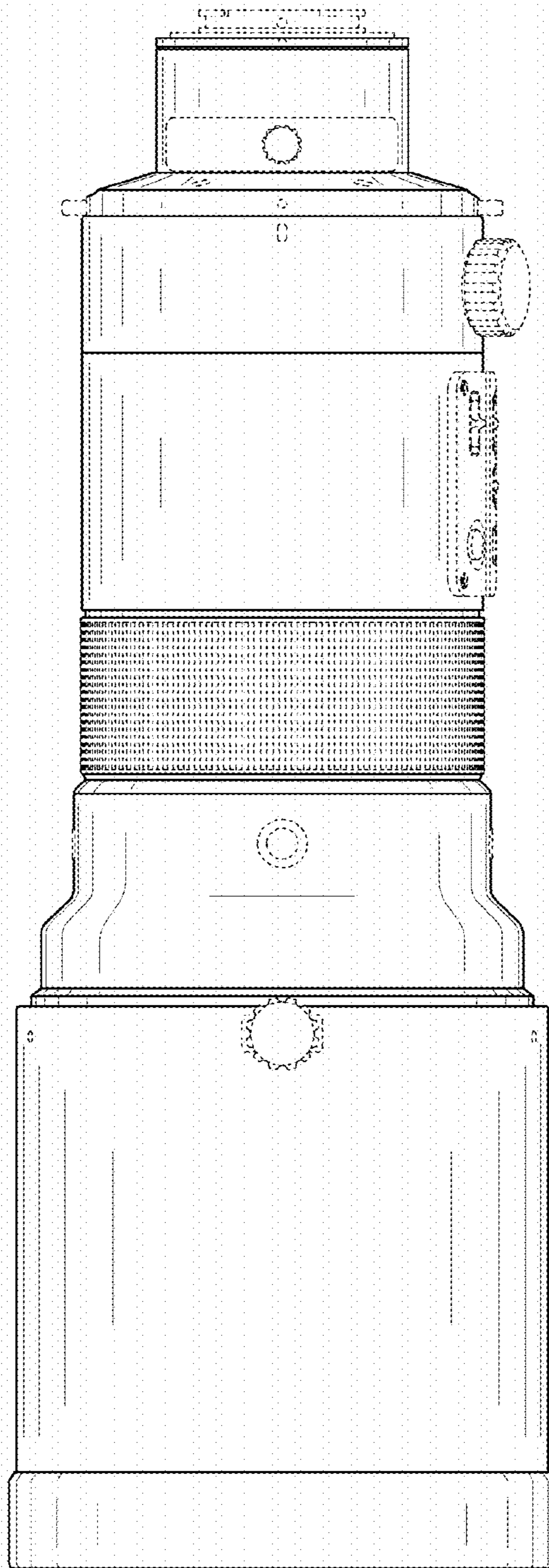


FIG. 7

