



US00D750688S

(12) **United States Design Patent**
Oh

(10) **Patent No.:** **US D750,688 S**
(45) **Date of Patent:** **** Mar. 1, 2016**

(54) **LENS FOR CAMERA**
(71) Applicant: **Samsung Electronics Co., Ltd.**,
Suwon-si, Gyeonggi-do (KR)
(72) Inventor: **San-Hui Oh**, Seoul (KR)
(73) Assignee: **SAMSUNG ELECTRONICS CO.,**
LTD. (KR)

7,565,078 B2 * 7/2009 Liu G03B 17/14
359/819
D682,341 S * 5/2013 Ono D16/219
D683,381 S * 5/2013 Asano D16/219
D688,292 S * 8/2013 Koyama D16/219
D693,869 S * 11/2013 Asano D16/219
D696,709 S * 12/2013 Sato D16/219
D720,792 S * 1/2015 So D16/219
D740,342 S * 10/2015 Asano D16/219

(**) Term: **14 Years**
(21) Appl. No.: **29/513,468**
(22) Filed: **Dec. 31, 2014**

OTHER PUBLICATIONS
The subject design was published on the website (Address: <http://www.nxrumors.net/Samsung-nx-series-of-minis-first-real-machine-diagram-f1-machine-leaks/>) on Feb. 25, 2014.

(30) **Foreign Application Priority Data**
Jul. 7, 2014 (KR) 30-2014-0033141
(51) **LOC (10) Cl.** **16-05**
(52) **U.S. Cl.**
USPC **D16/219; D16/134**
(58) **Field of Classification Search**
USPC D16/134, 136, 200, 202, 203, 218, 219;
348/373-376; 359/818, 819, 826-828,
359/830; 396/529-532, 535, 539-541
CPC G03B 17/00; G03B 17/02; G03B 17/04;
G03B 17/14; H04N 5/2251; H04N 5/2252;
H04N 5/2253; H04N 5/2254
See application file for complete search history.

* cited by examiner
Primary Examiner — Adir Aronovich
(74) *Attorney, Agent, or Firm* — Cantor Colburn LLP

(56) **References Cited**
U.S. PATENT DOCUMENTS
D223,215 S * 3/1972 Takata D16/134
4,063,264 A * 12/1977 Ando G03B 17/14
359/828

(57) **CLAIM**
The ornamental design for a lens for camera, as shown and described.

DESCRIPTION
FIG. 1 is a front and right side perspective view of a lens for camera showing my new design;
FIG. 2 is a front elevation side thereof;
FIG. 3 is a rear elevation side thereof;
FIG. 4 is a left elevation side thereof;
FIG. 5 is a right elevation side thereof;
FIG. 6 is a top plan thereof; and,
FIG. 7 is a top plan thereof.
The broken lines are for environmental purpose only and form no part of the claimed design.

1 Claim, 7 Drawing Sheets

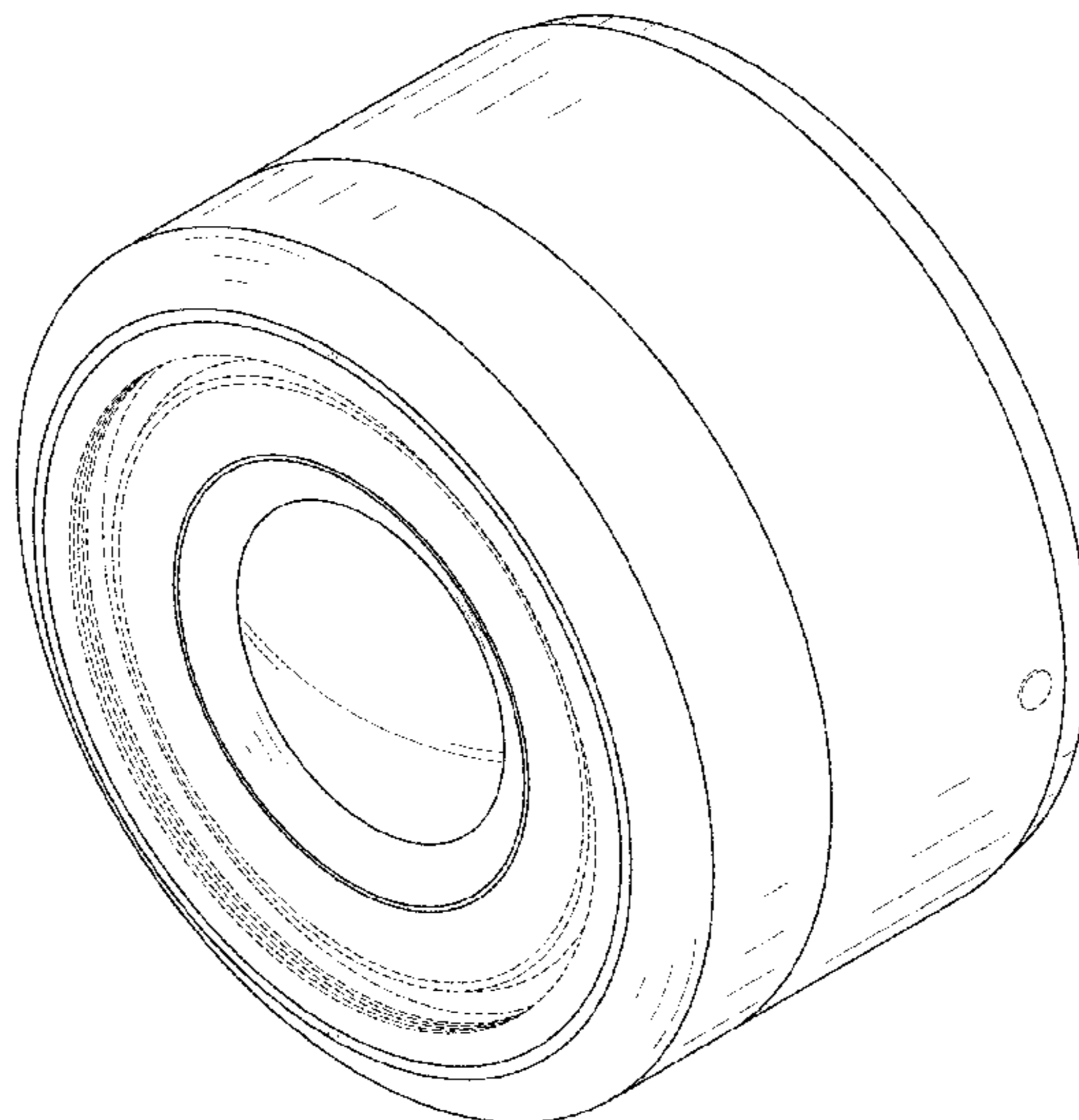


FIG. 1

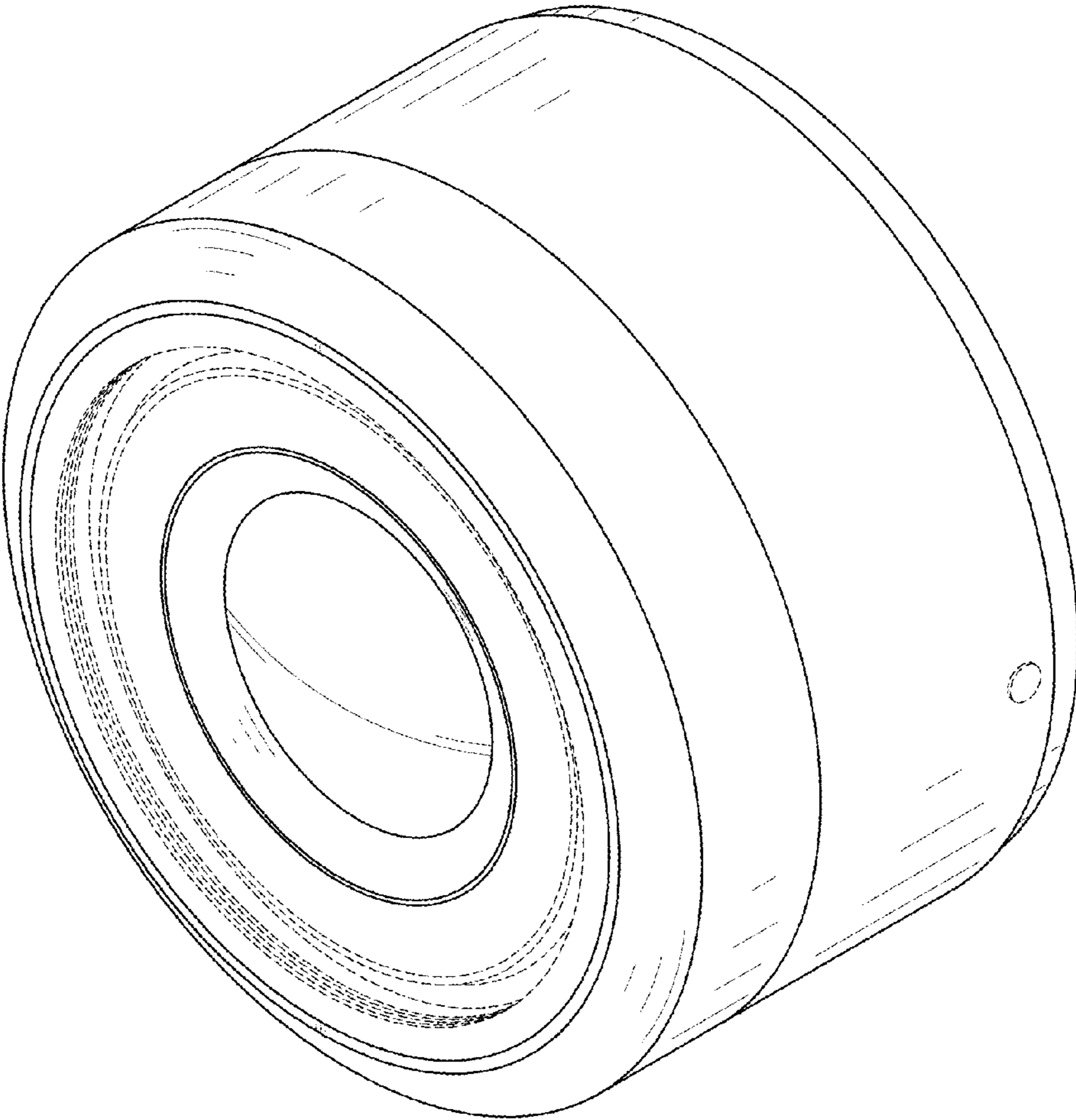


FIG. 2

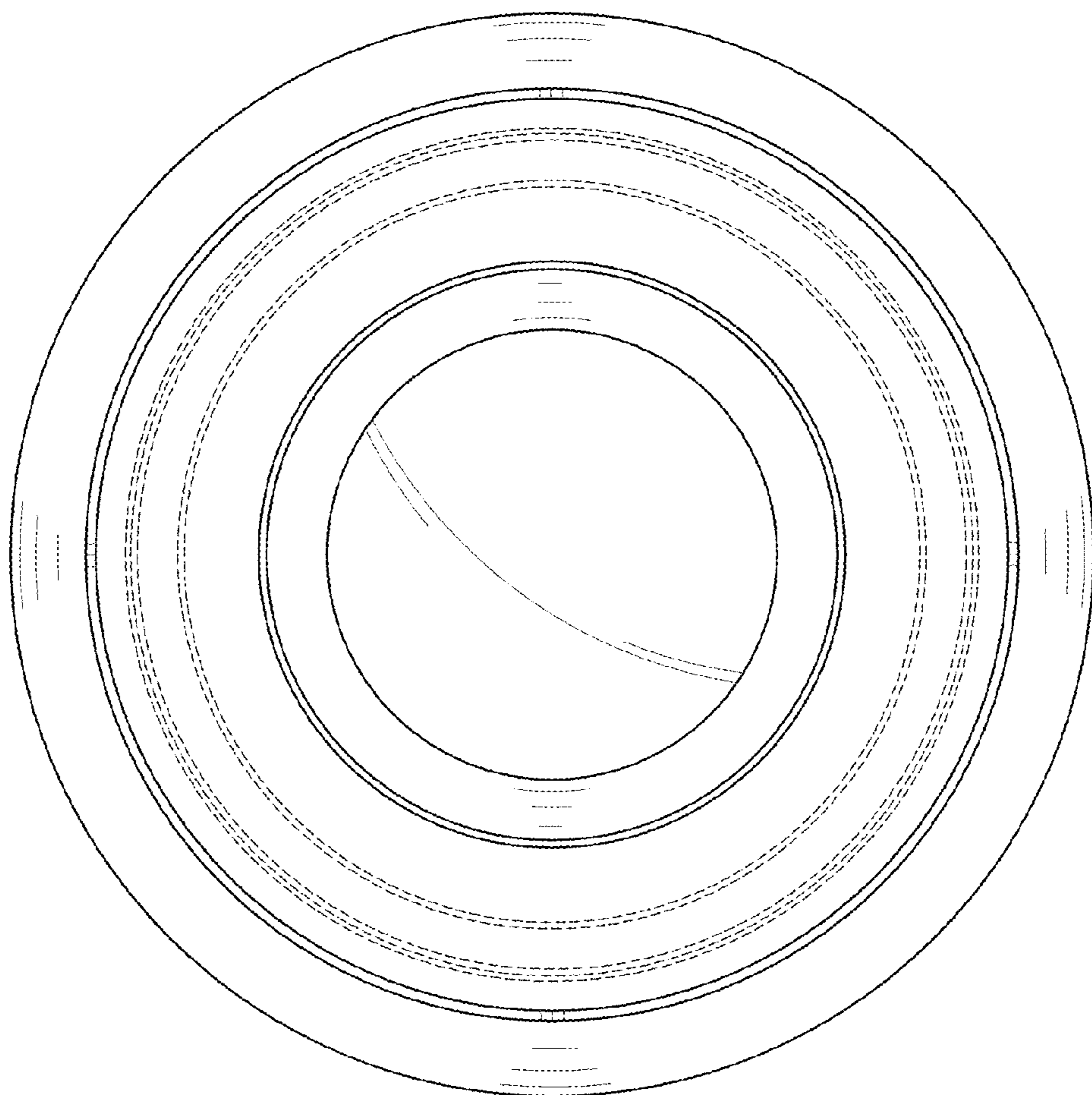


FIG. 3

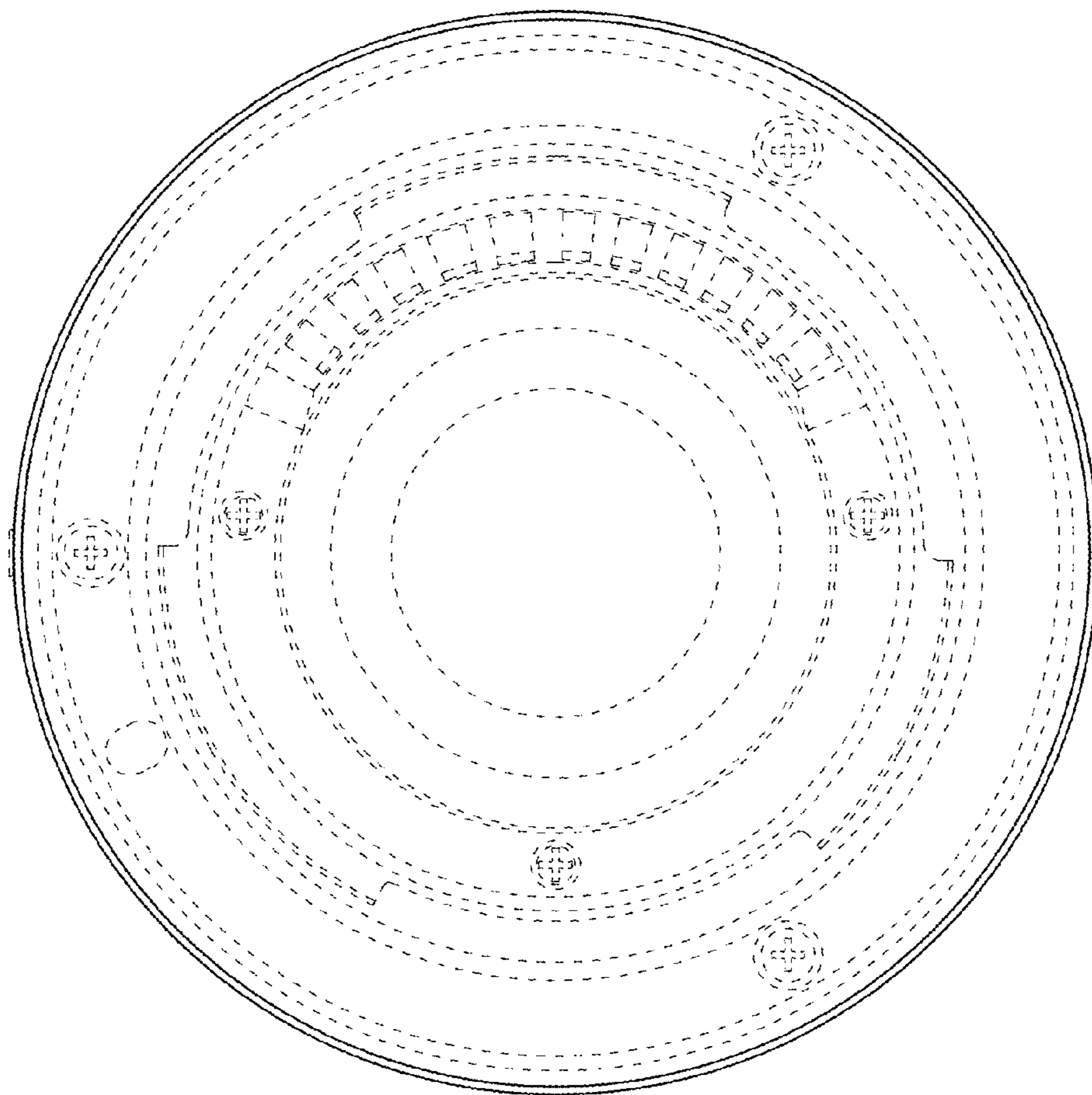


FIG. 4

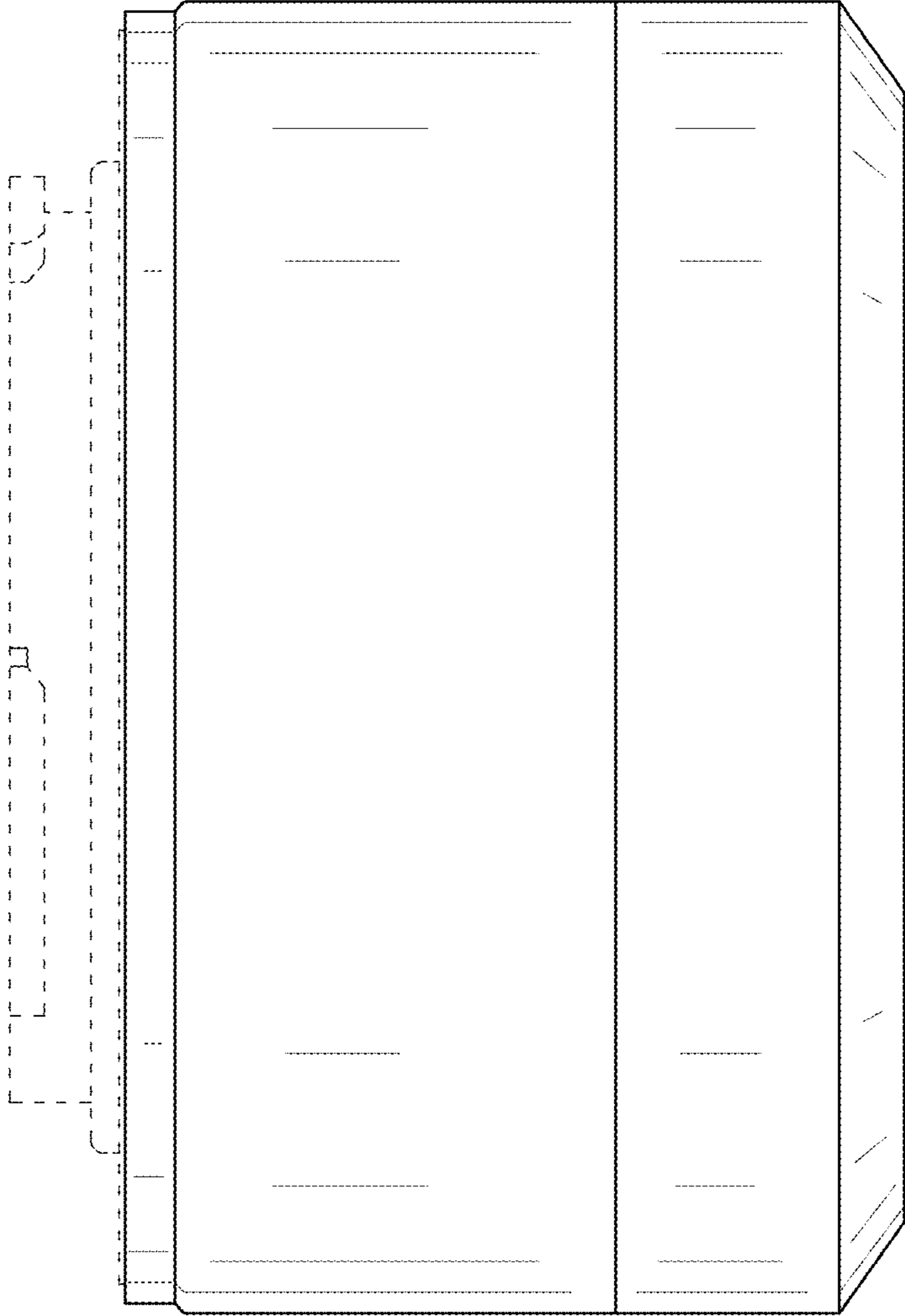


FIG. 5

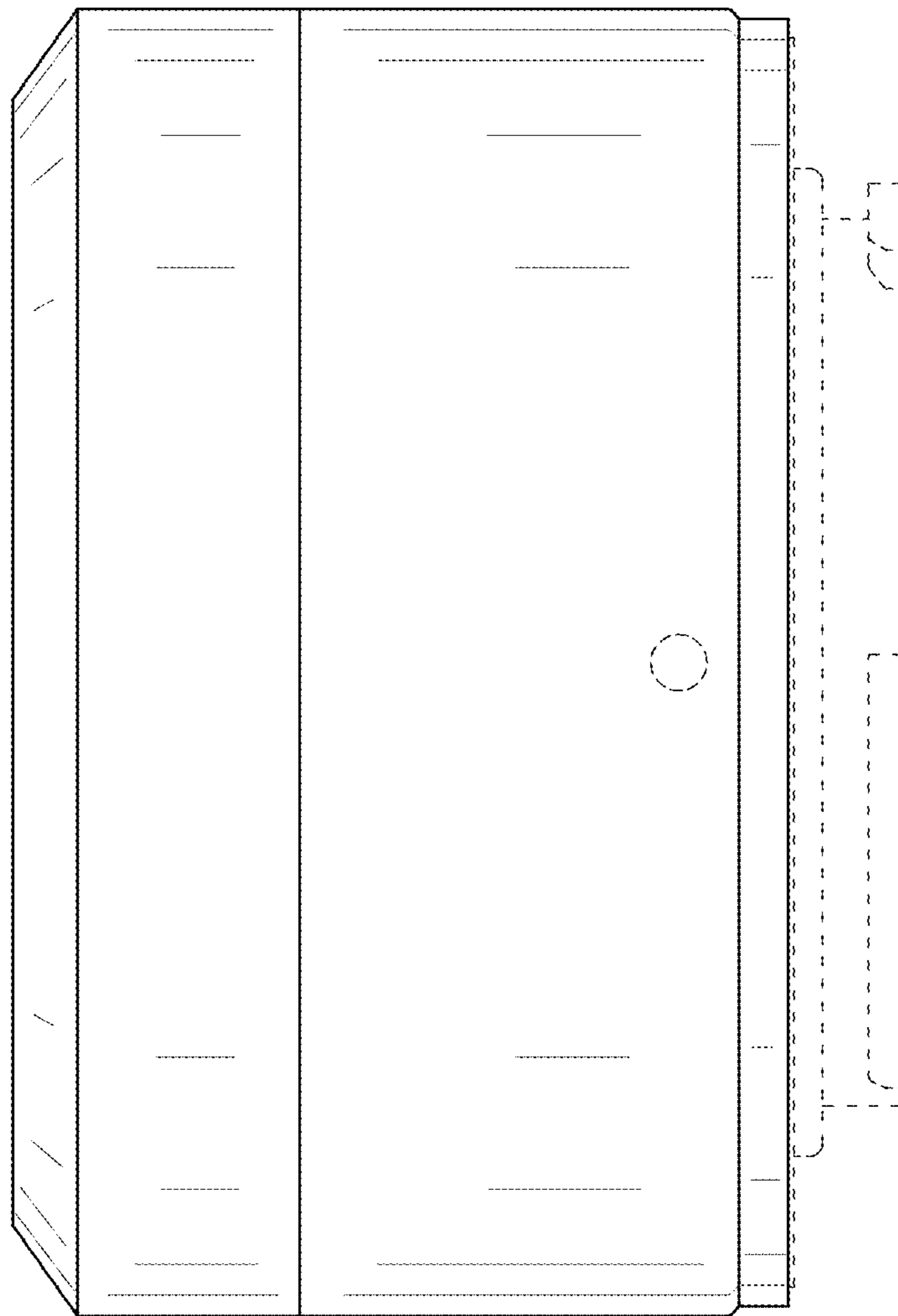


FIG. 6

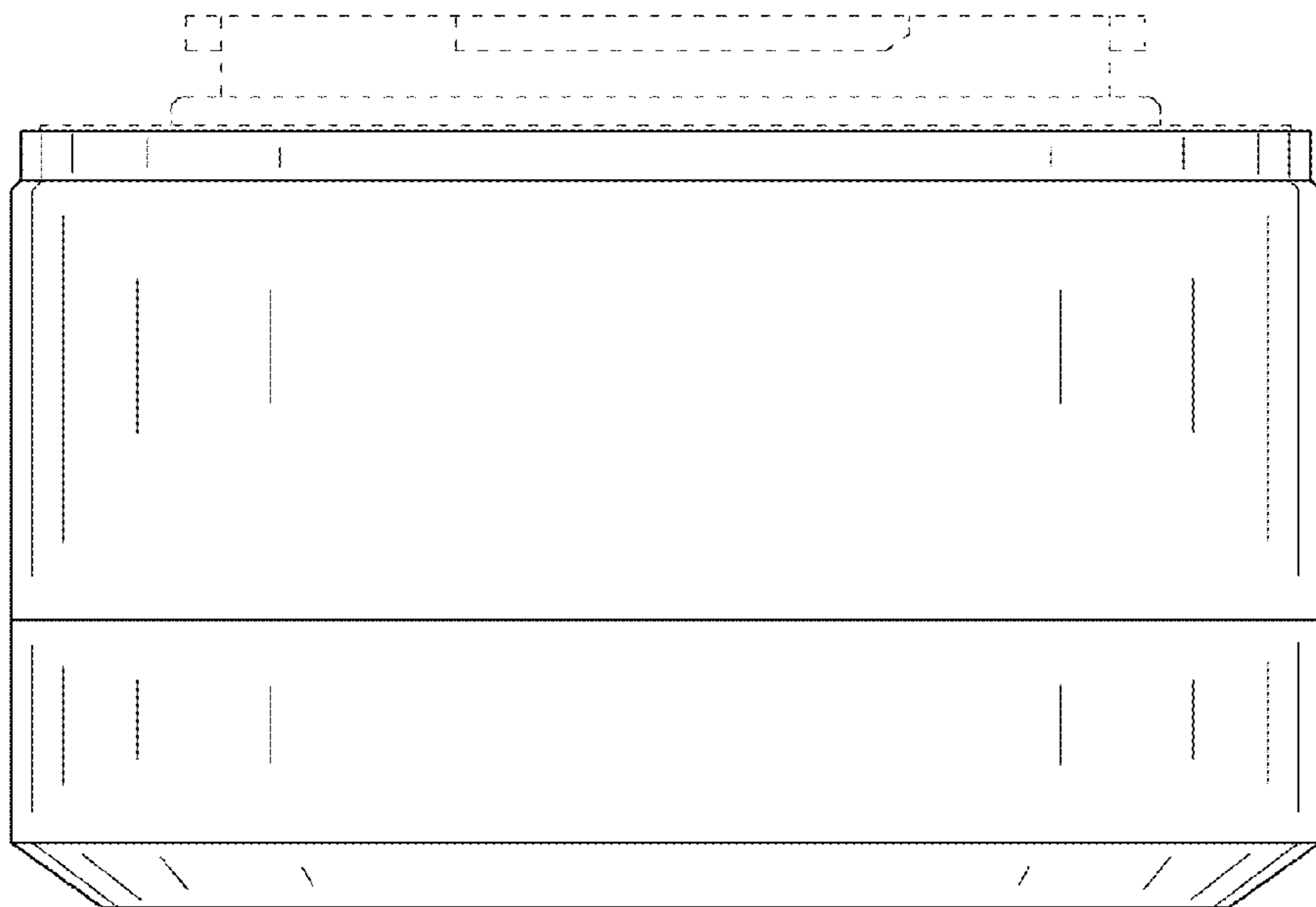


FIG. 7

