



US00D750686S

(12) **United States Design Patent**
Chen

(10) **Patent No.:** **US D750,686 S**
(45) **Date of Patent:** **** Mar. 1, 2016**

(54) **CAMERA**

(71) Applicant: **ShenZhen Dazzne Technical Limited,**
Shenzhen (CN)

(72) Inventor: **Wei-Kun Chen,** Shenzhen (CN)

(73) Assignee: **ShenZhen Dazzne Technical Limited,**
Shenzhen (CN)

(**) Term: **14 Years**

(21) Appl. No.: **29/515,089**

(22) Filed: **Jan. 20, 2015**

(30) **Foreign Application Priority Data**

Oct. 27, 2014 (CN) 2014 3 0410867

(51) **LOC (10) Cl.** **16-01**

(52) **U.S. Cl.**
USPC **D16/218**

(58) **Field of Classification Search**
USPC D16/200, 202, 204, 208, 218;
348/373-374; 396/6, 529, 535,
396/539-541

CPC G03B 17/00; G03B 17/02; G03B 17/12;
H04N 5/2251; H04N 5/2252; H04N 5/2253;
H04N 5/2254

See application file for complete search history.

(56) **References Cited**

U.S. PATENT DOCUMENTS

6,788,887 B2 *	9/2004	Takeshita	G03B 17/06 396/6
D533,574 S *	12/2006	Hamamura	D16/202
D548,256 S *	8/2007	Hase	D16/202
7,768,727 B2 *	8/2010	Iida	G02B 7/102 359/819
7,801,439 B2 *	9/2010	Nagata	G03B 17/12 396/529
D721,395 S *	1/2015	Woodman	D16/218
D737,879 S *	9/2015	Woodman	D16/218

* cited by examiner

Primary Examiner — Adir Aronovich

(74) *Attorney, Agent, or Firm* — Novak Druce Connolly
Bove + Quigg LLP

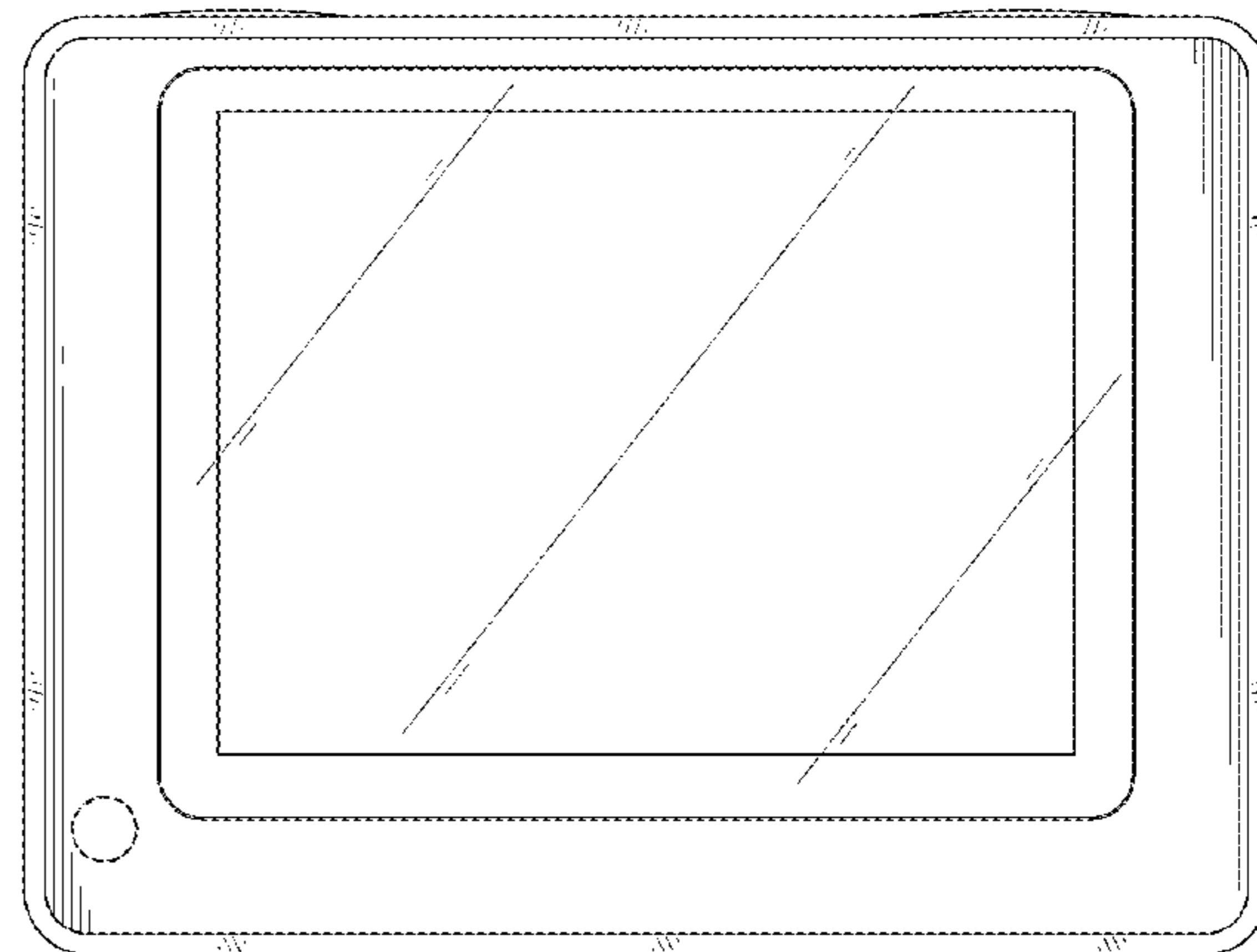
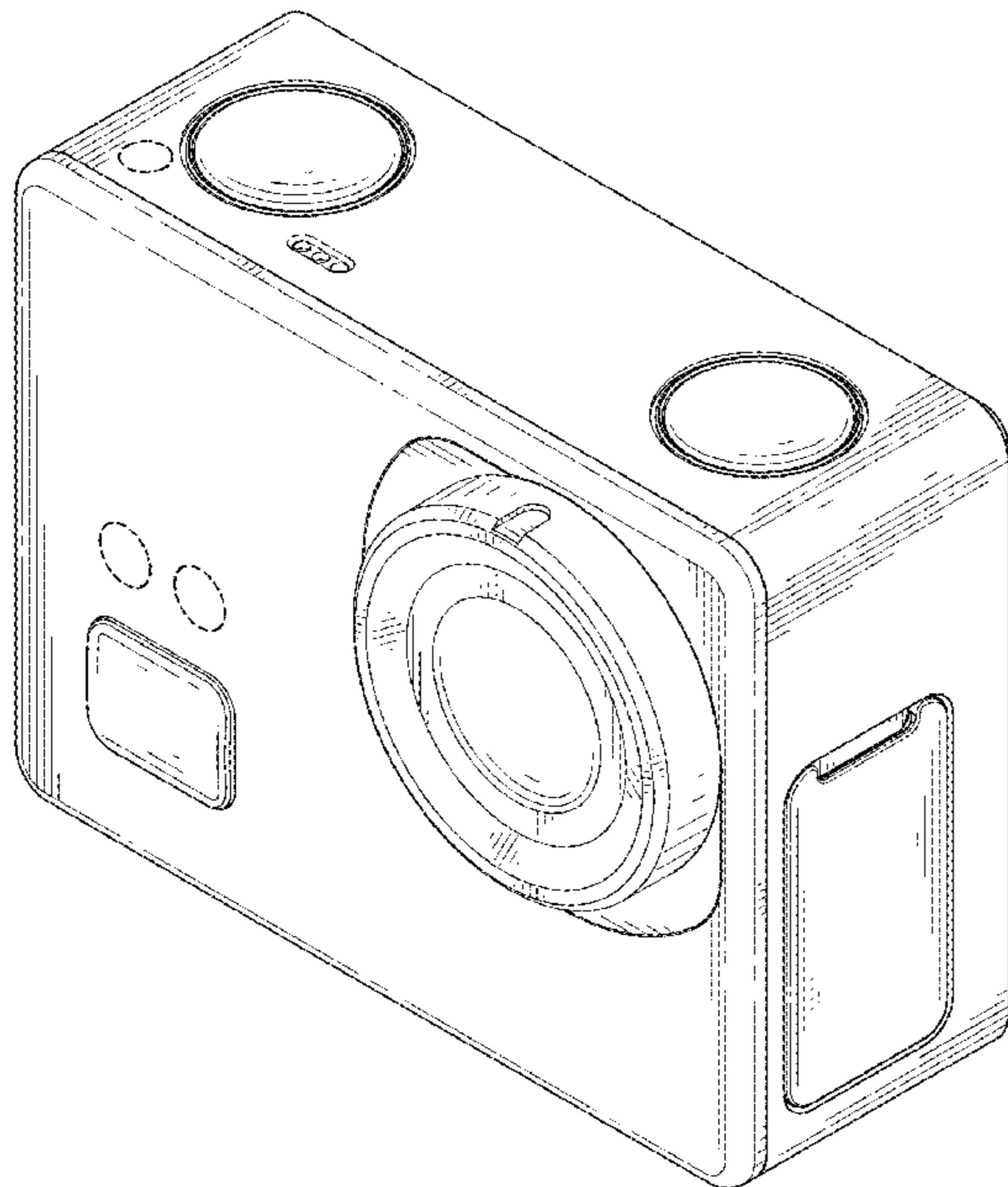
(57) **CLAIM**

The ornamental design for a camera, as shown and described.

DESCRIPTION

FIG. 1 is a front, top and right side perspective view of a camera showing my new design;
FIG. 2 is a front elevational view the camera.
FIG. 3 is a rear elevational view the camera.
FIG. 4 is a left side elevation view of the camera.
FIG. 5 is a right side elevation view of the camera.
FIG. 6 is a top plan view of the camera; and,
FIG. 7 is a bottom plan view of the camera.
The broken lines depict the portions of a camera in which the design is embodied and form no part of the claimed design.

1 Claim, 7 Drawing Sheets



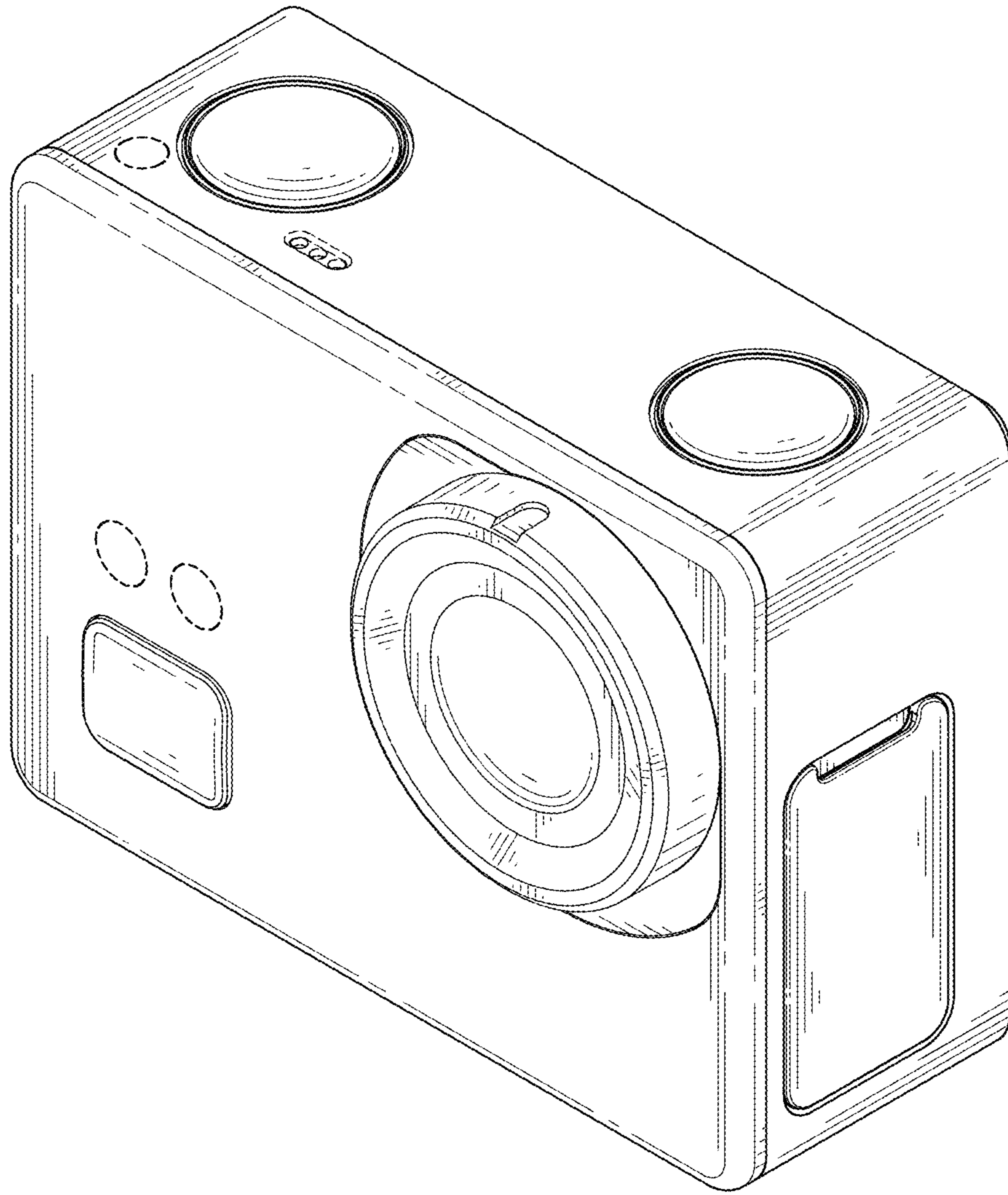


FIG. 1

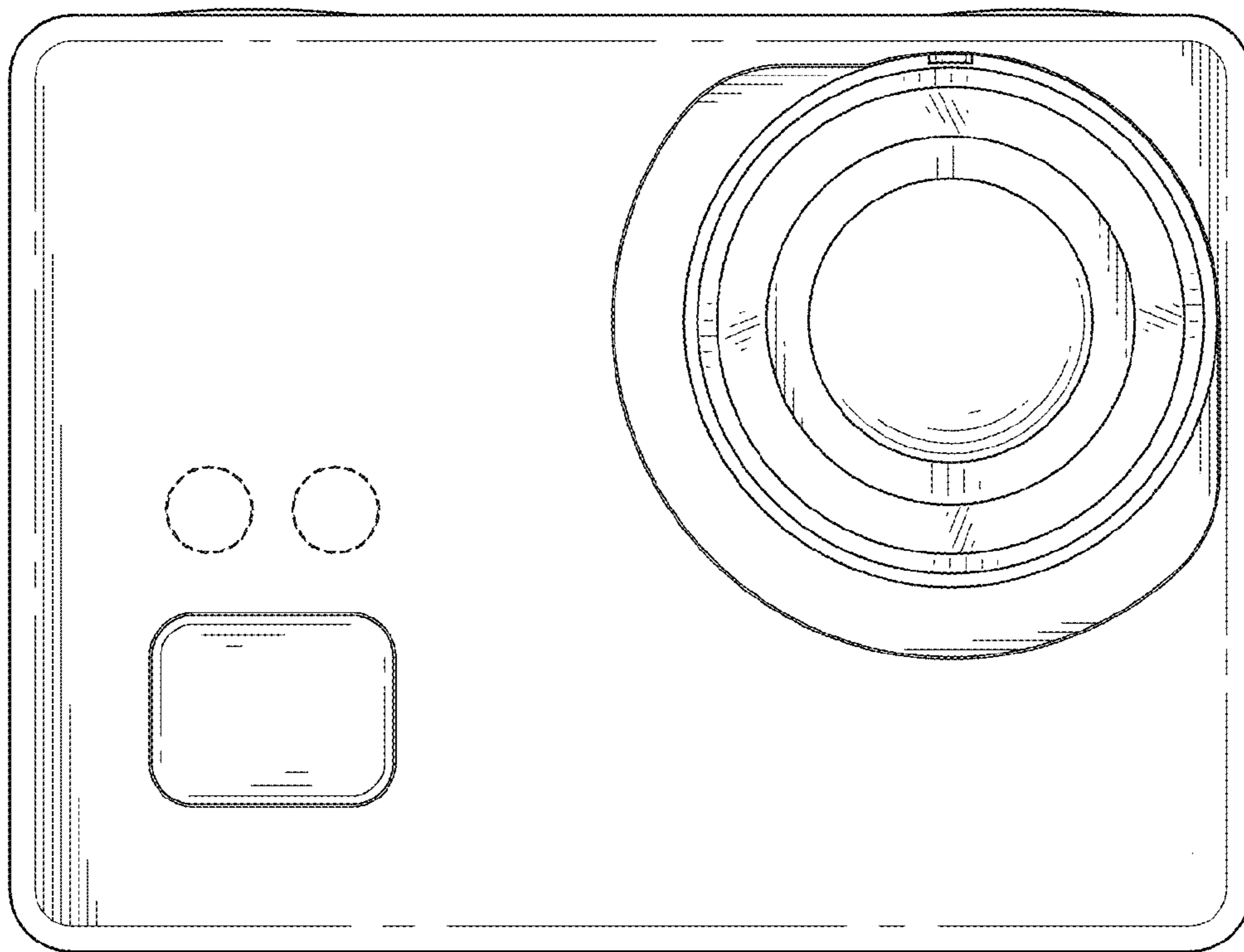


FIG. 2

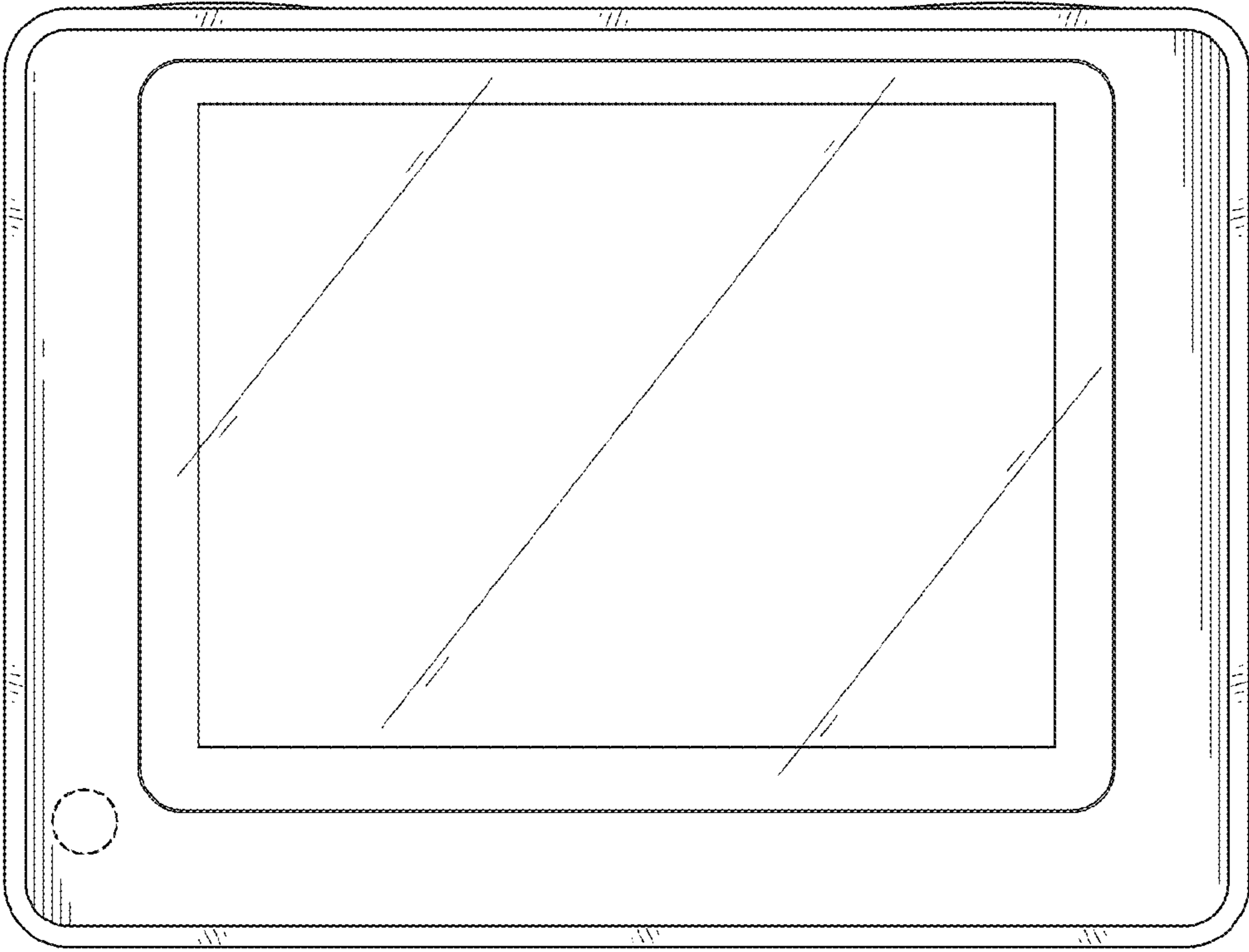


FIG. 3

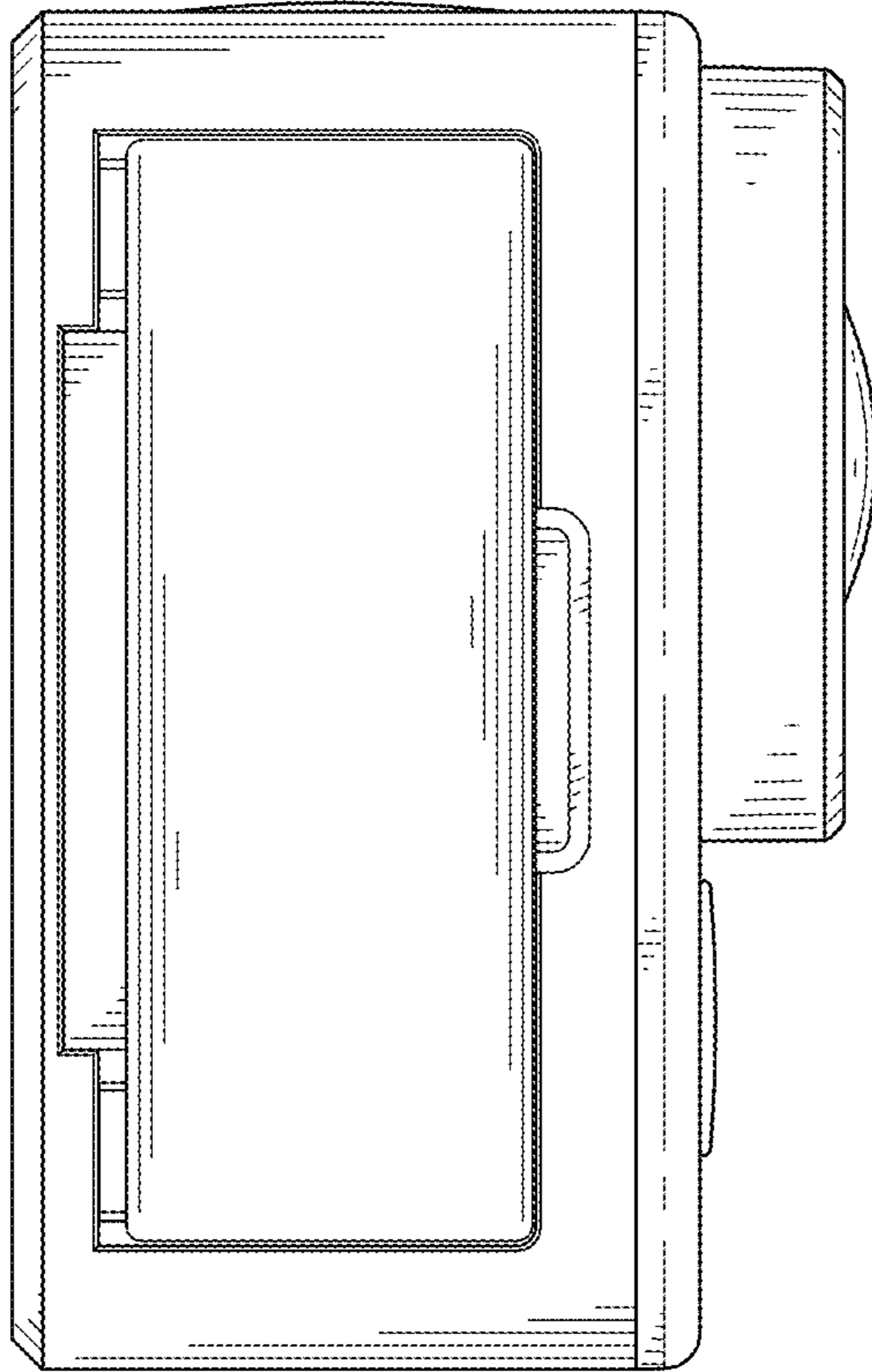


FIG. 4

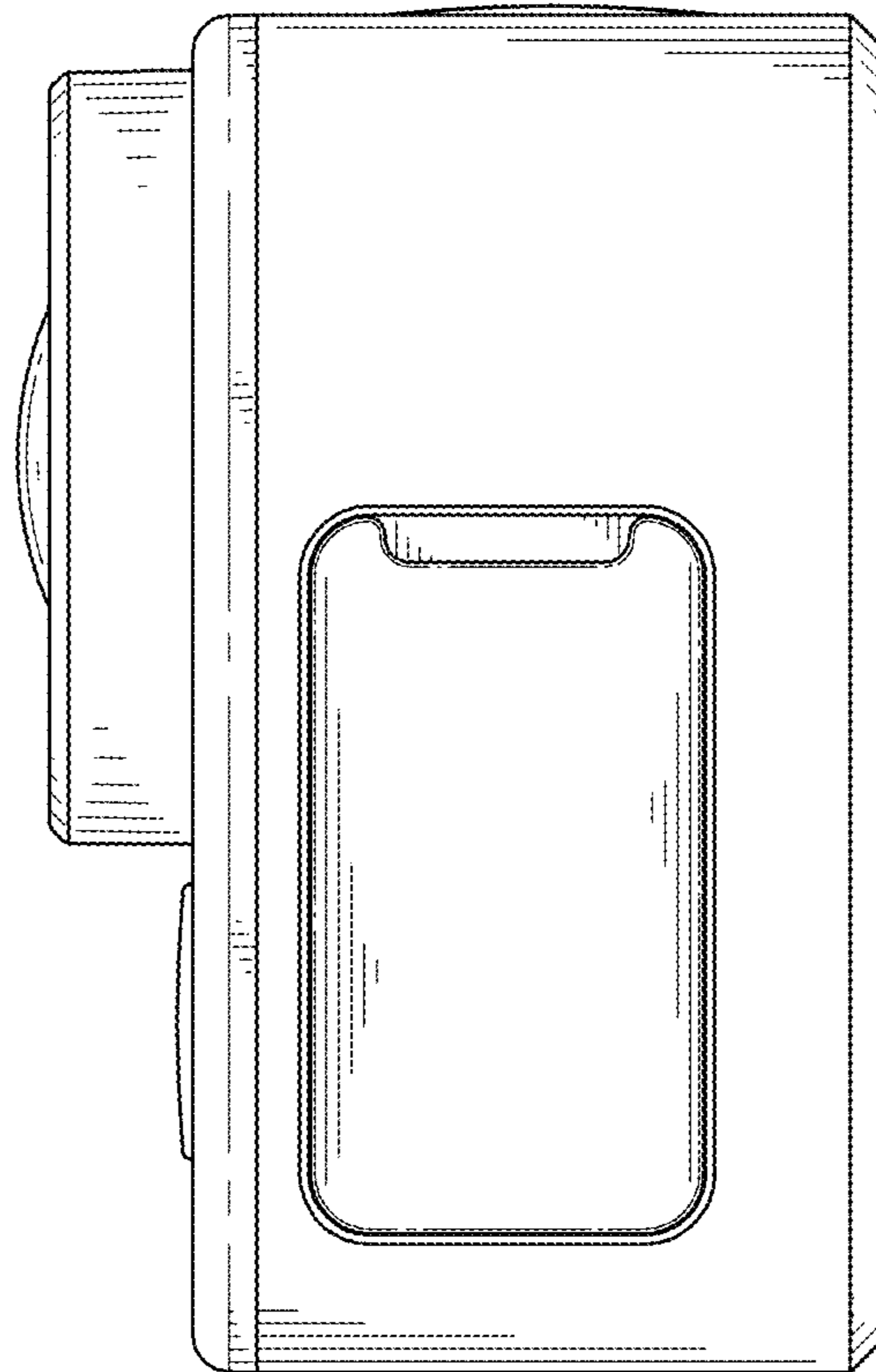


FIG. 5

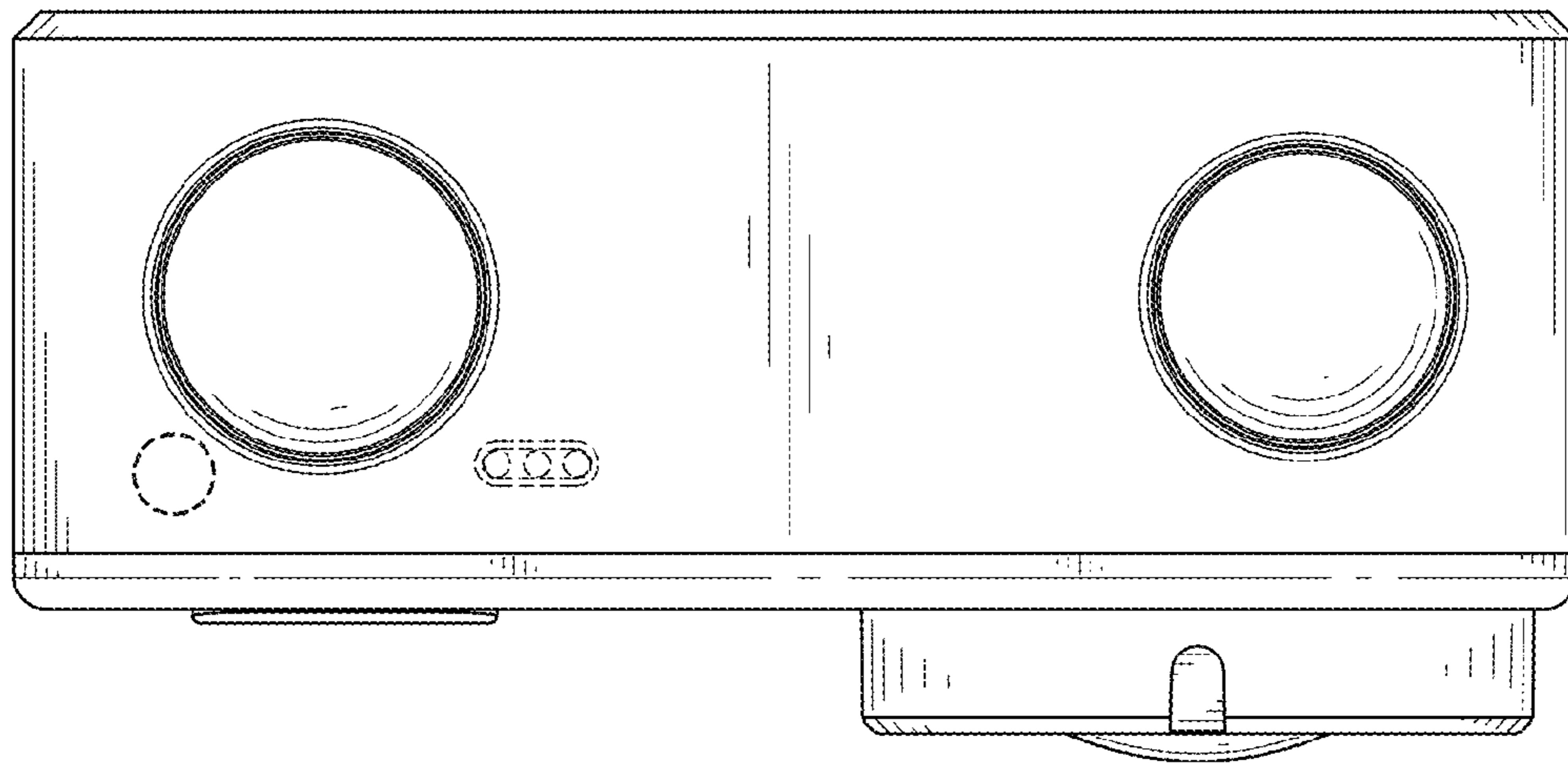


FIG. 6

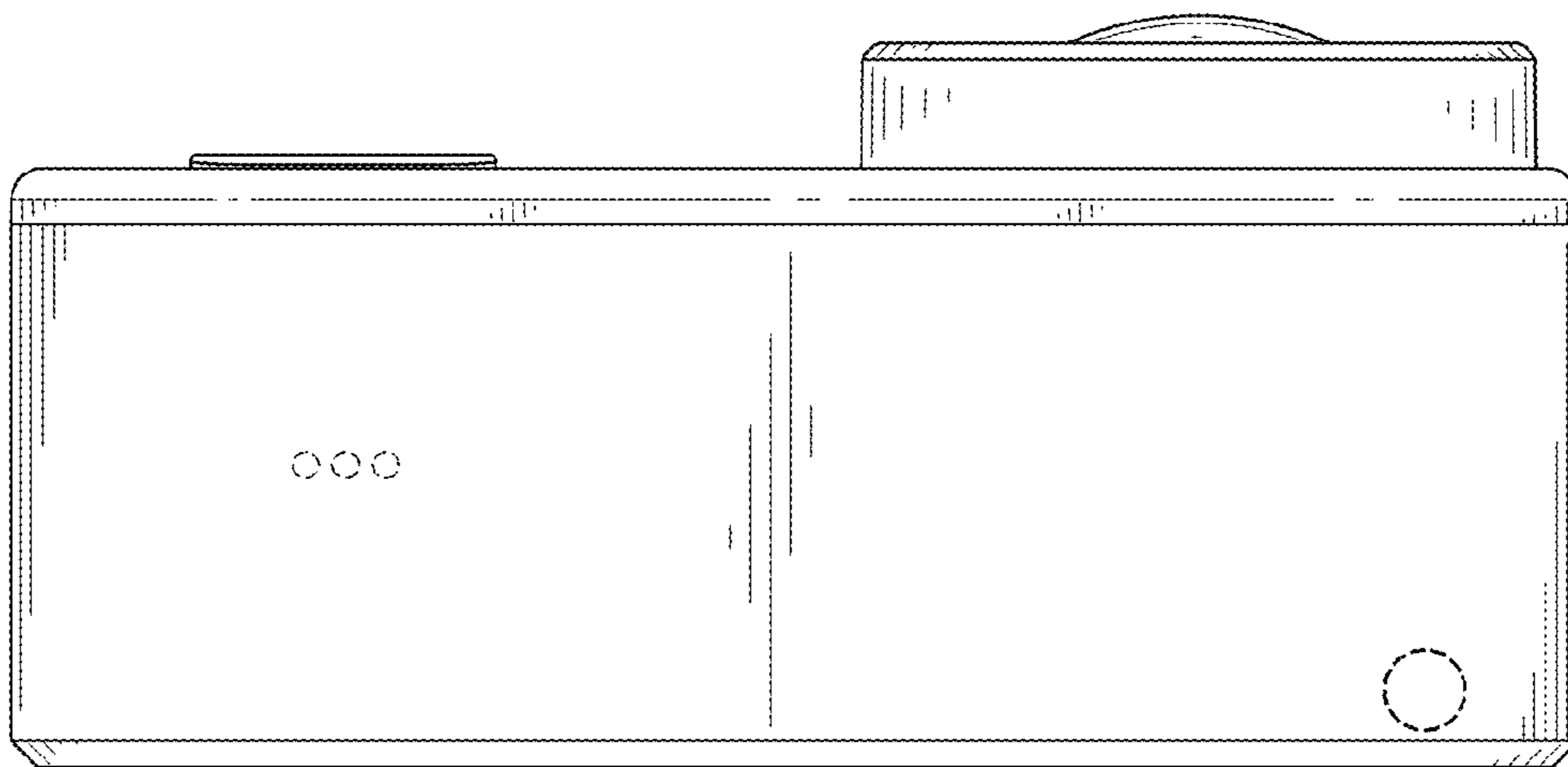


FIG. 7