



US00D750685S

(12) **United States Design Patent**  
**Santos**

(10) **Patent No.:** **US D750,685 S**  
(45) **Date of Patent:** **\*\* Mar. 1, 2016**

(54) **CAMERA**

(71) Applicant: **FLIR SYSTEMS, INC.**, Wilsonville,  
OR (US)

(72) Inventor: **Carlos Santos**, Dracut, MA (US)

(73) Assignee: **FLIR Systems, Inc.**, Wilsonville, OR  
(US)

(\*\*) Term: **14 Years**

(21) Appl. No.: **29/438,784**

(22) Filed: **Dec. 3, 2012**

(51) **LOC (10) Cl.** ..... **16-01**

(52) **U.S. Cl.**  
USPC ..... **D16/208**; D22/109

(58) **Field of Classification Search**  
USPC ..... D16/200, 202–205, 208, 218, 219, 235,  
D16/242; D22/108–110; 250/214 VT, 574;  
348/164, 360; 359/358, 819, 826–828;  
396/529–532; 42/90  
CPC ..... G03B 17/02; G03B 19/04; G03B 17/56;  
G03B 17/04; G03B 15/03; G03B 17/14;  
H04N 5/2251; H04N 5/2252; H04N 5/2253;  
H04N 5/2254

See application file for complete search history.

(56) **References Cited**

**U.S. PATENT DOCUMENTS**

D368,105 S *	3/1996	Takahashi et al. ....	D16/202
D438,552 S *	3/2001	Sumita .....	D16/202
D544,009 S *	6/2007	Alm et al. ....	D16/203
D548,258 S *	8/2007	Tanifuji et al. ....	D16/202
D558,247 S *	12/2007	Kim .....	D16/202

D559,879 S *	1/2008	Sumita .....	D16/202
D574,027 S *	7/2008	Miyazaki .....	D16/202
D598,941 S *	8/2009	Tanifuji .....	D16/202
D611,979 S	3/2010	Frank et al.	
D618,717 S	6/2010	Frank et al.	
D631,498 S *	1/2011	Tashima .....	D16/202
D636,423 S *	4/2011	Ogino et al. ....	D16/202
D652,440 S	1/2012	Davidson et al.	
2003/0090787 A1 *	5/2003	Dottle .....	359/358
2007/0246641 A1 *	10/2007	Baun .....	250/214 VT
2012/0240444 A1 *	9/2012	Russell .....	42/90

\* cited by examiner

*Primary Examiner* — Adir Aronovich

*Assistant Examiner* — Ramzi Almatrahi

(74) *Attorney, Agent, or Firm* — Haynes and Boone, LLP

(57) **CLAIM**

The ornamental design for a camera, as shown and described.

**DESCRIPTION**

FIG. 1 is a top, left, and front perspective view of a camera showing my new design;

FIG. 2 is a front elevational view thereof;

FIG. 3 is a rear elevational view thereof;

FIG. 4 is a right side elevational view thereof;

FIG. 5 is a left side elevational view thereof;

FIG. 6 is a top plan view thereof;

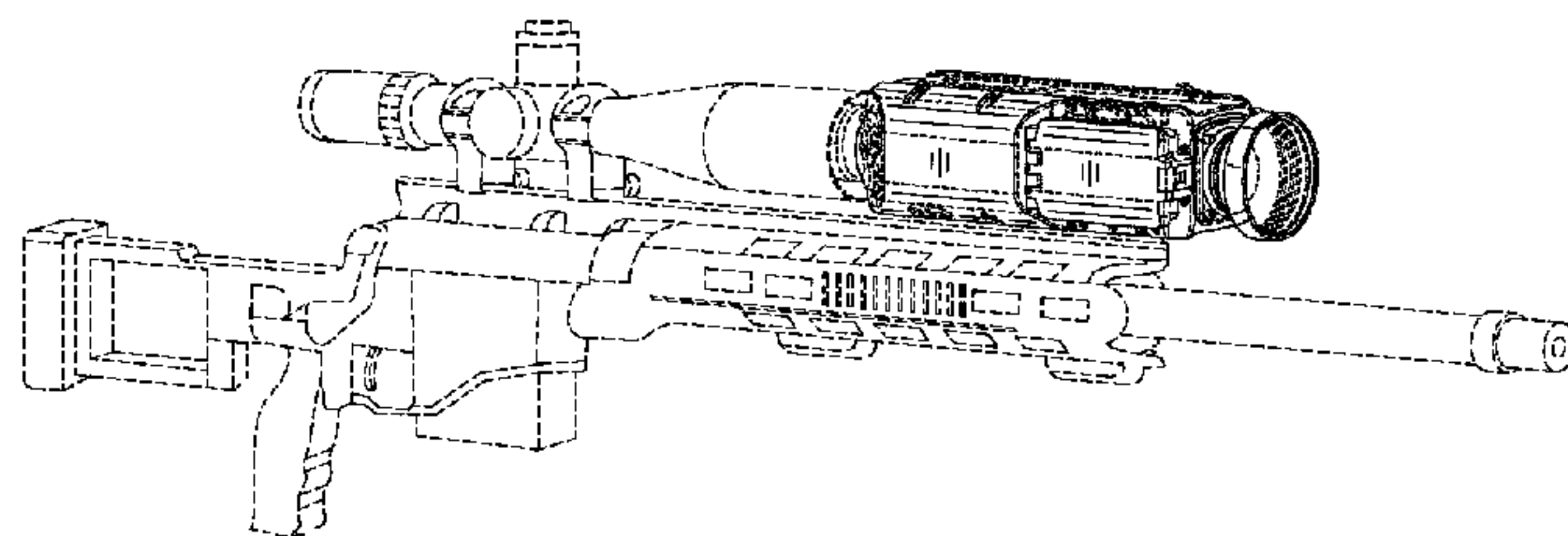
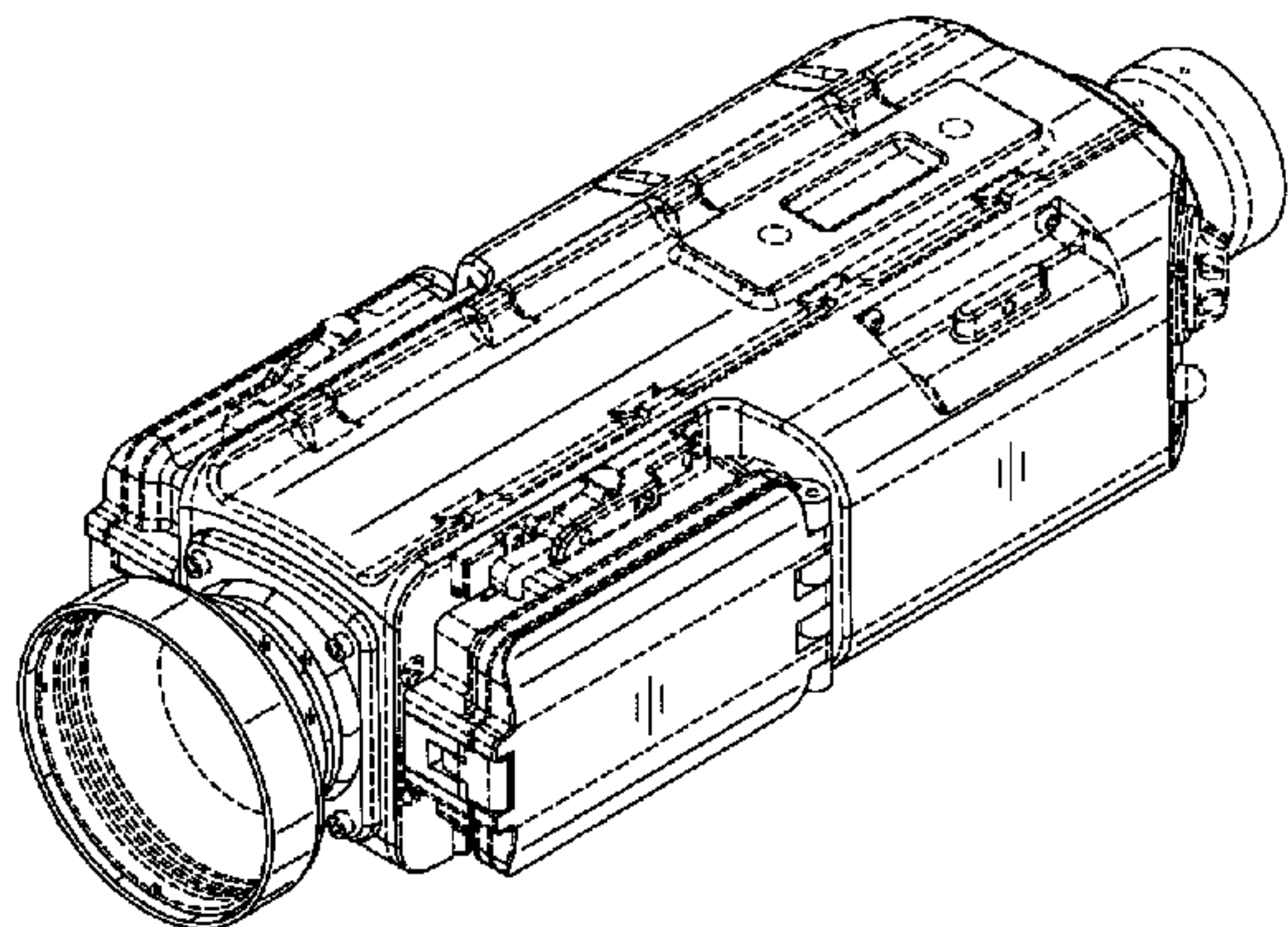
FIG. 7 is a bottom plan view thereof; and,

FIG. 8 is a reduced top, right, and front perspective view thereof, shown in condition of use with a firearm disclosed in broken lines to illustrate an environment.

The broken lines depict portions of a camera in which the design is embodied and form no part of the claimed design.

The broken lines showing a firearm in FIG. 8 represent environmental structure and form no part of the claimed design.

**1 Claim, 8 Drawing Sheets**



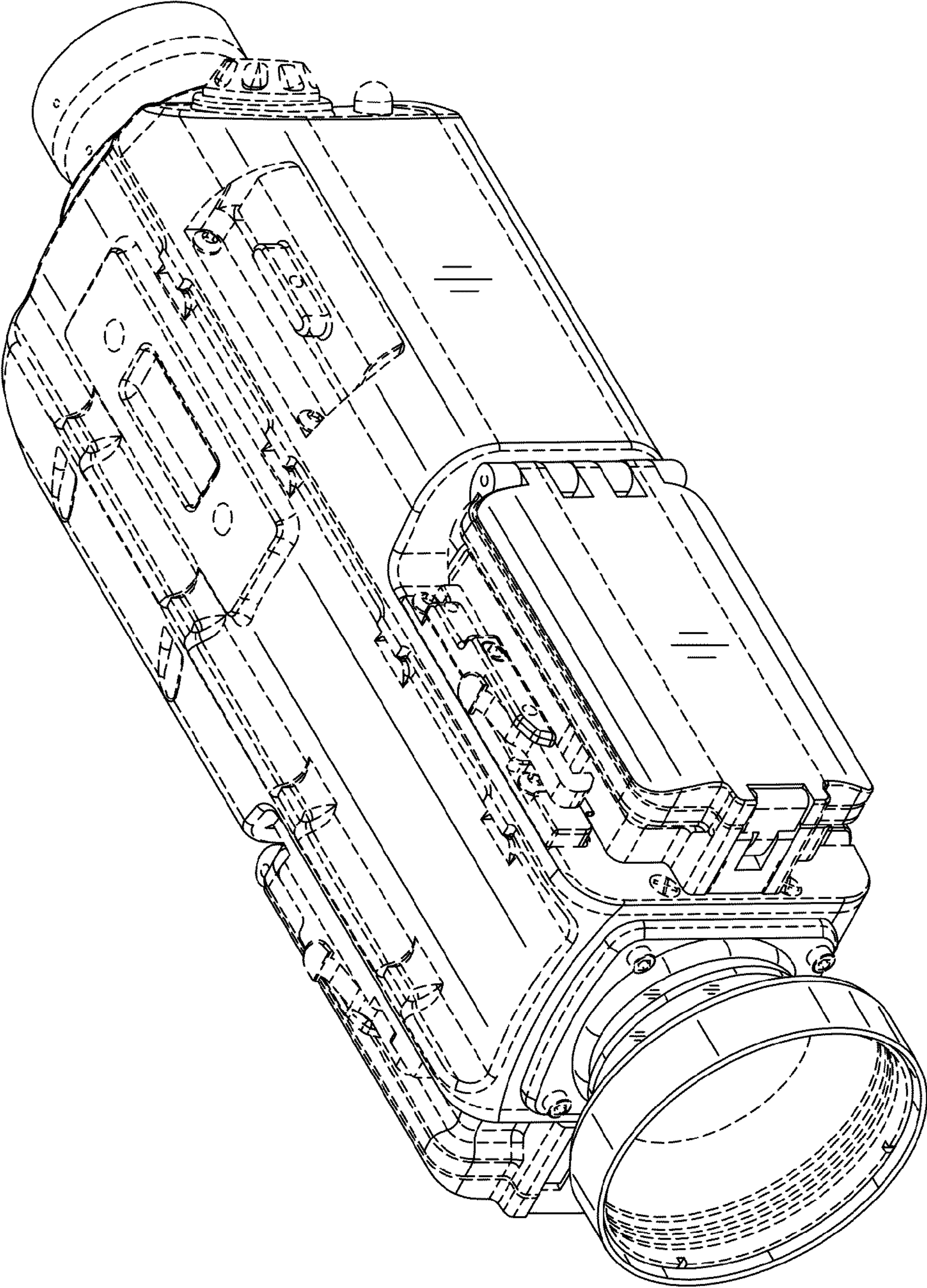


FIG. 1



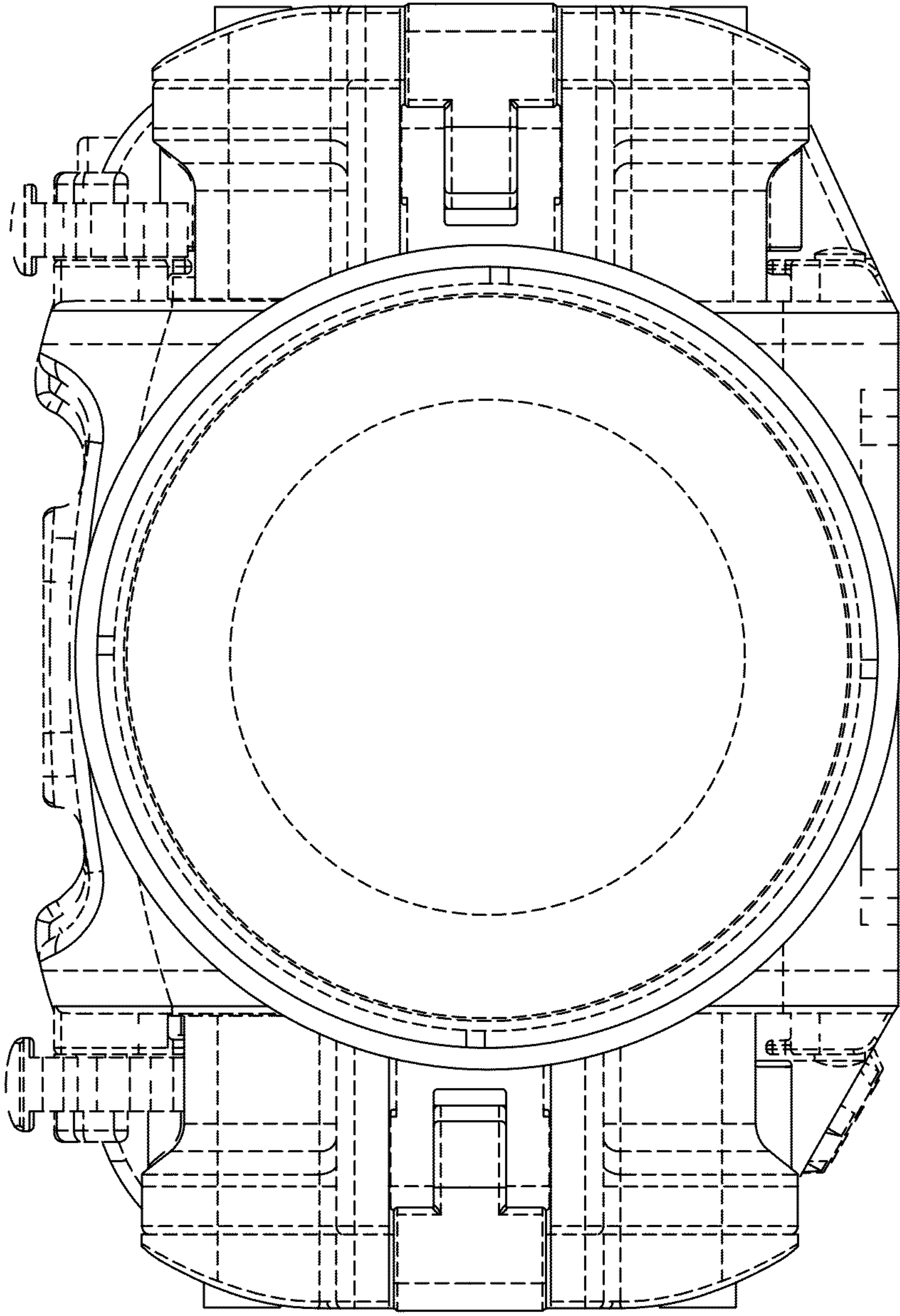


FIG. 2

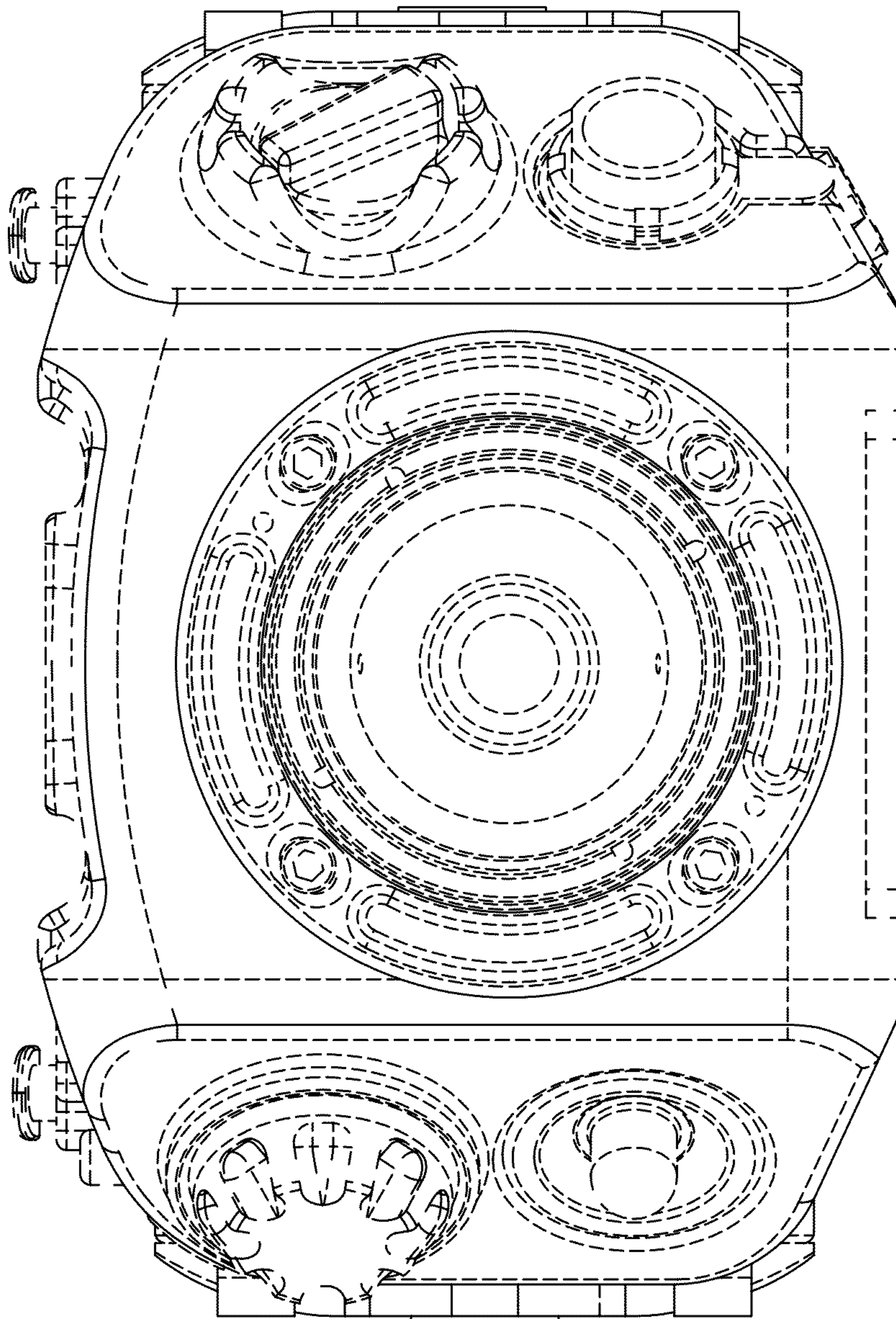


FIG. 3

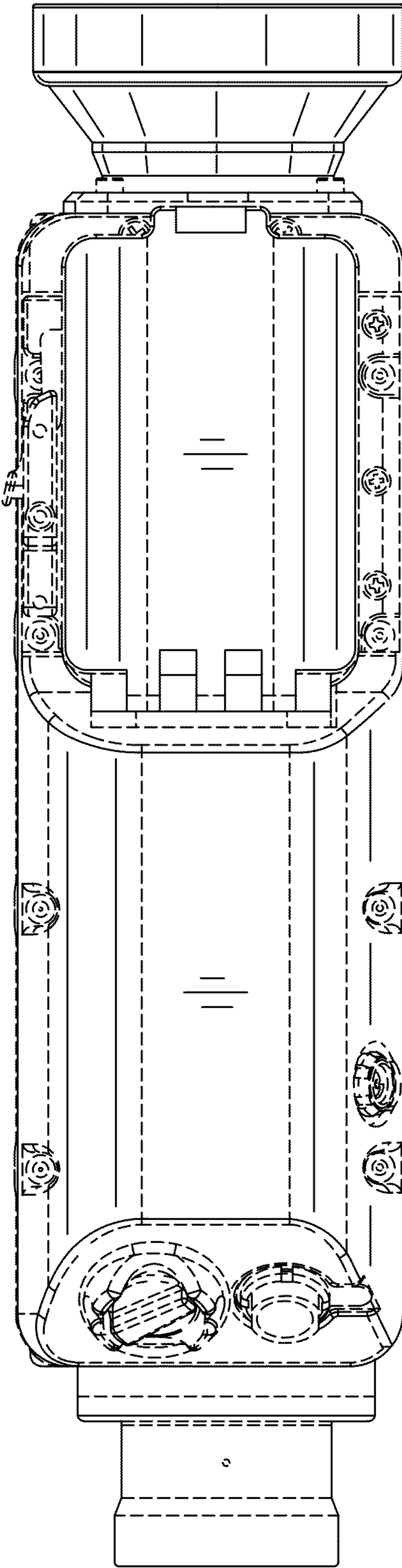


FIG. 4



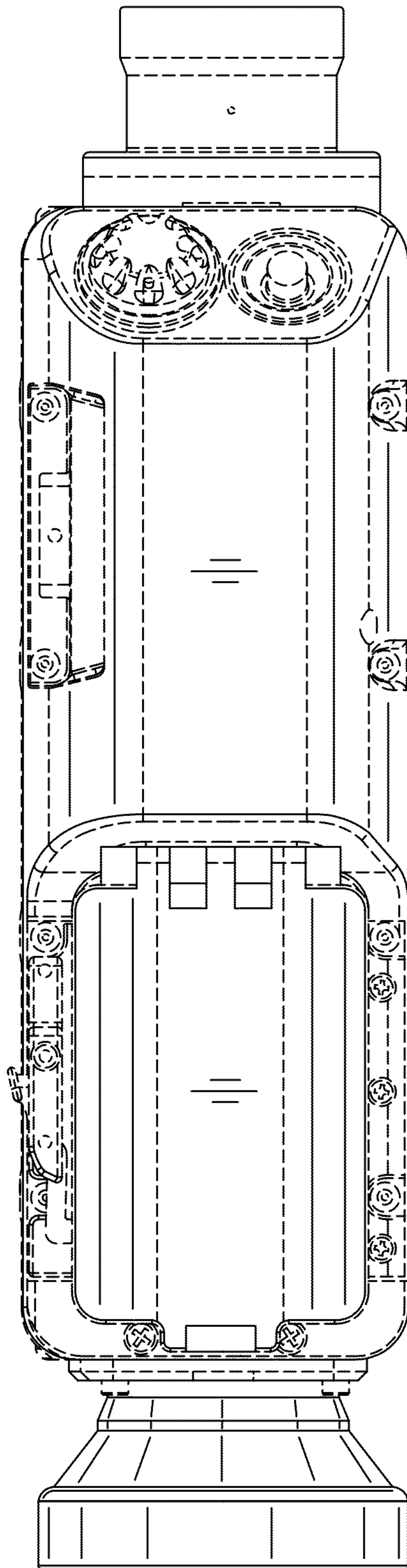


FIG. 5

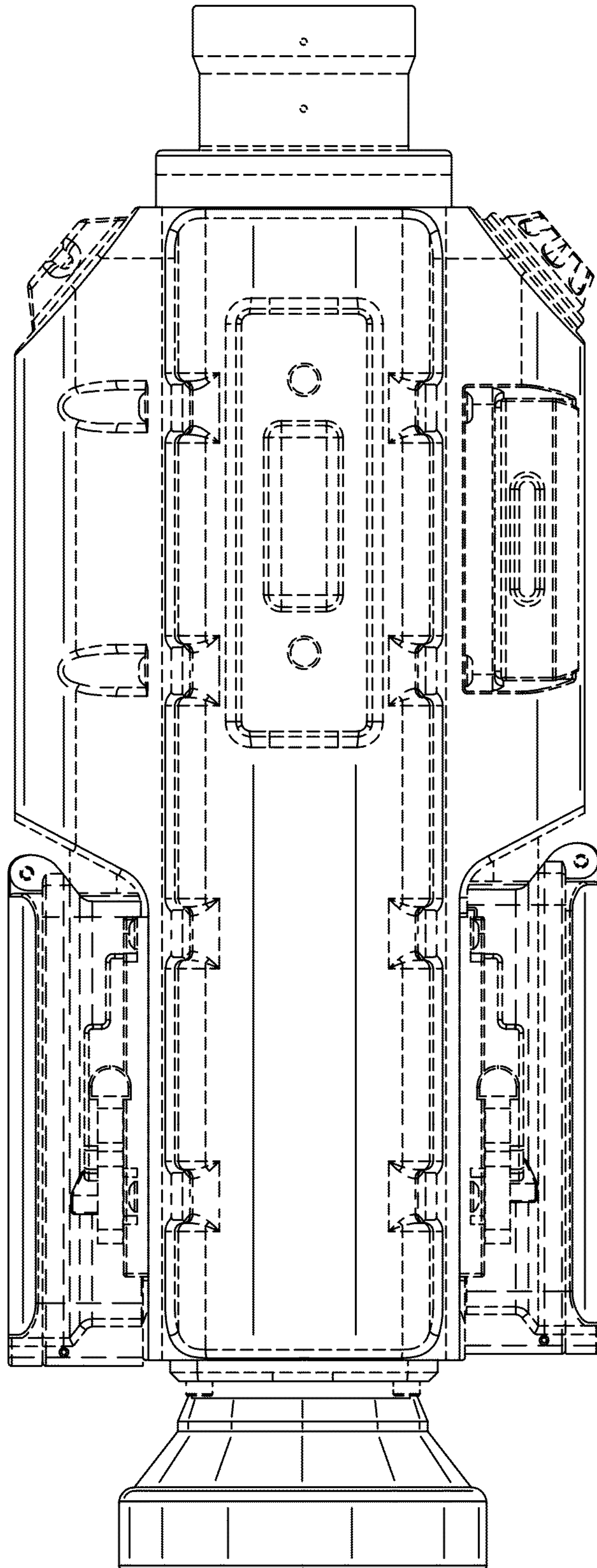


FIG. 6

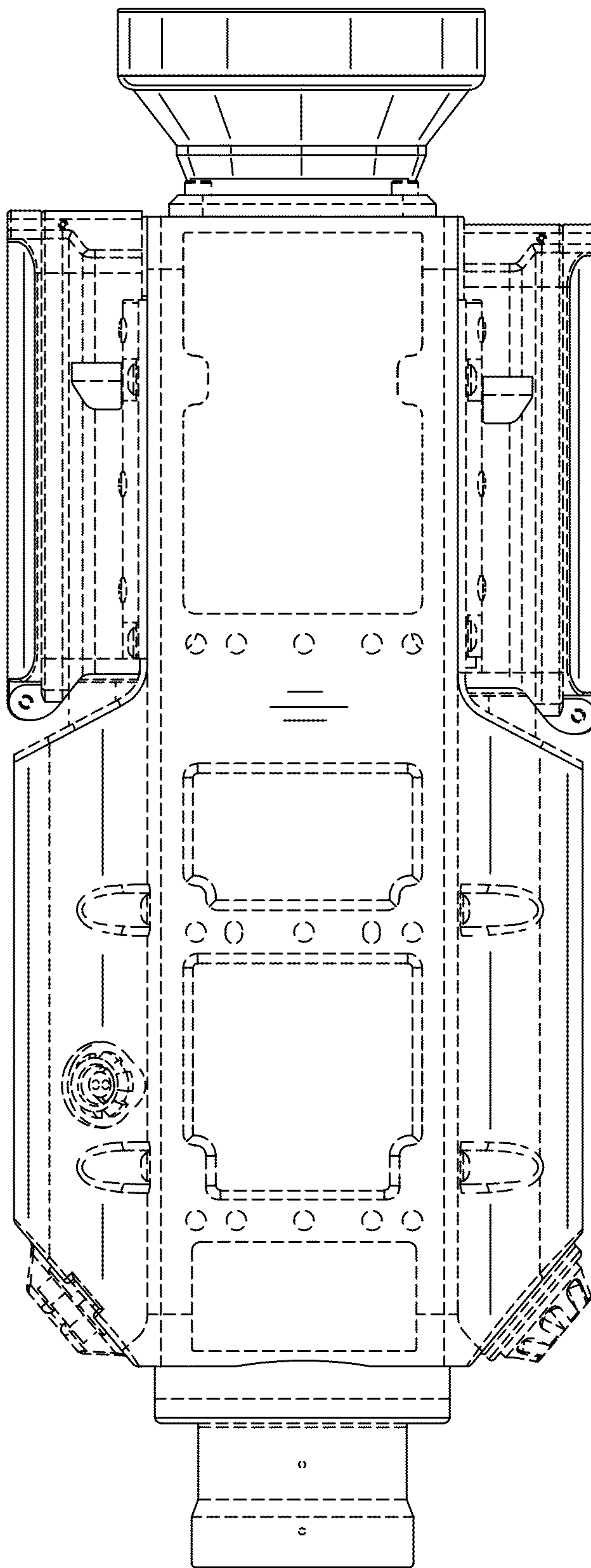


FIG. 7



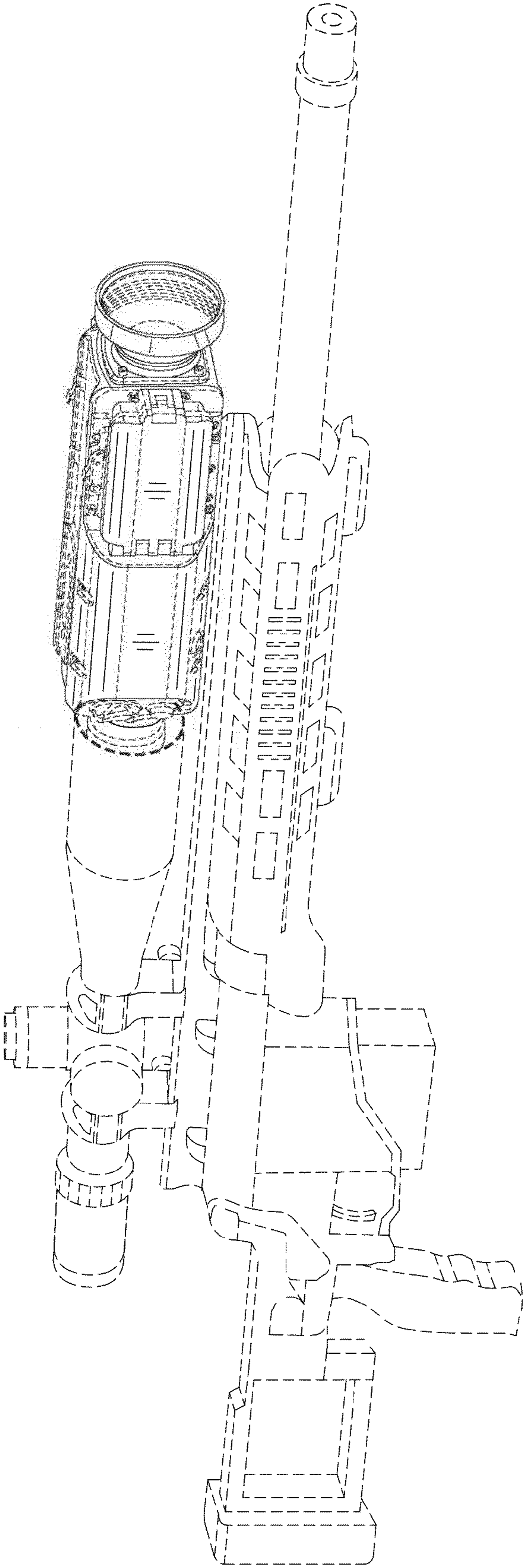


FIG. 8