



US00D750683S

(12) **United States Design Patent**
Bergstrom et al.

(10) **Patent No.:** **US D750,683 S**
(45) **Date of Patent:** **** Mar. 1, 2016**

(54) **MONITORING CAMERA**

(71) Applicant: **AXIS AB**, Lund (SE)

(72) Inventors: **Morten Bergstrom**, Bjarred (SE); **Jens Pahlitzsch**, Lund (SE); **Mathias Walter**, Arlov (SE); **Niclas Moller Levin**, Malmo (SE); **Johan Bergsten**, Landskrona (SE)

(73) Assignee: **AXIS AB**, Lund (SE)

(**) Term: **14 Years**

(21) Appl. No.: **29/514,777**

(22) Filed: **Jan. 16, 2015**

(30) **Foreign Application Priority Data**

Jul. 16, 2014 (WO) 002503334-0001
Jul. 16, 2014 (WO) 002503334-0002
Jul. 16, 2014 (WO) 002503334-0003

(51) **LOC (10) Cl.** **16-01**

(52) **U.S. Cl.**
USPC **D16/203**

(58) **Field of Classification Search**

USPC D16/200, 202–206, 208, 218, 219, 242;
348/143, 148, 151, 373–376; 396/419,
396/427, 535, 539–541
CPC G03B 17/02; G03B 19/04; G03B 17/56;
G03B 17/04; G03B 15/03; H04N 5/2251;
H04N 5/2252; H04N 5/2253; H04N 5/2254;
H04N 7/181; H04N 7/183; H04N 7/18;
G08B 13/1963; G08B 13/19619; G08B
13/19632; F16M 11/04; F16M 13/00

See application file for complete search history.

(56) **References Cited**

U.S. PATENT DOCUMENTS

5,689,304 A * 11/1997 Jones G08B 13/19619
348/143
D499,125 S * 11/2004 Adachi D16/203
D499,126 S * 11/2004 Kato D16/203
D552,501 S * 10/2007 Lin D10/104.1
D556,236 S * 11/2007 Kim D16/202
D565,628 S * 4/2008 Alm D16/203
D575,810 S * 8/2008 Alm D16/203
D606,105 S * 12/2009 Hinkel D16/203
D610,183 S * 2/2010 Nohavec D16/203
8,066,438 B2 * 11/2011 Takahashi G03B 17/00
348/143
D694,798 S * 12/2013 Deurwaarder D16/203
D721,755 S * 1/2015 Åhman D16/203
D742,447 S * 11/2015 Stark D16/203

FOREIGN PATENT DOCUMENTS

EP 2887328 6/2015

* cited by examiner

Primary Examiner — Adir Aronovich
Assistant Examiner — Ramzi Almatrahi
(74) *Attorney, Agent, or Firm* — Volpe and Koenig, P.C.

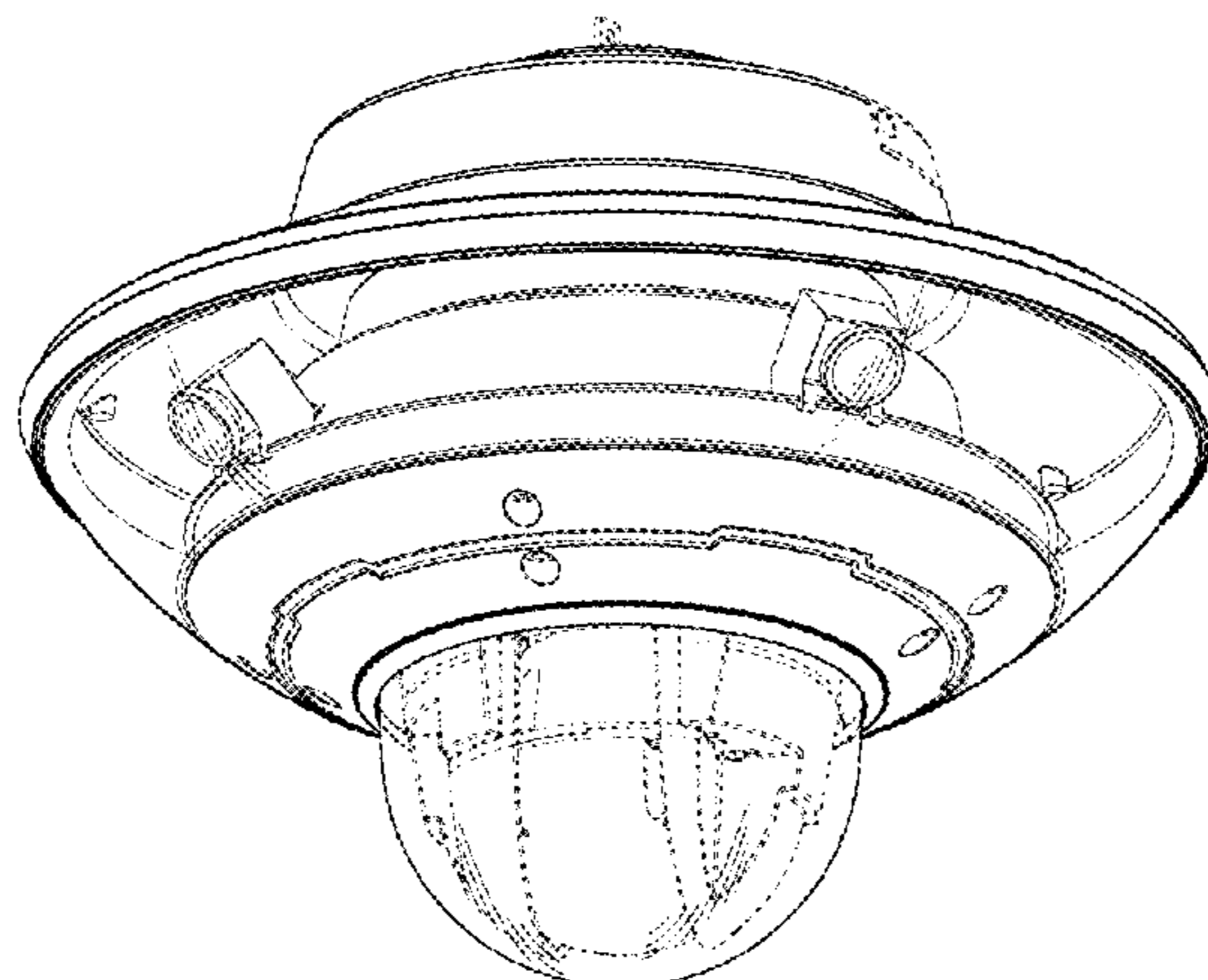
(57) **CLAIM**

The ornamental design for a monitoring camera, as shown and described.

DESCRIPTION

FIG. 1 is a bottom, rear and left side perspective view of a monitoring camera in accordance with our design;
FIG. 2 is a rear elevational view thereof;
FIG. 3 is a bottom plan view thereof;
FIG. 4 is a right side elevational view thereof;
FIG. 5 is a left side elevational view thereof;
FIG. 6 is a front elevational view thereof; and,
FIG. 7 is a top plan view thereof.
The broken lines depict portions of a monitoring camera in which the design is embodied and form no part of the claimed design.

1 Claim, 7 Drawing Sheets



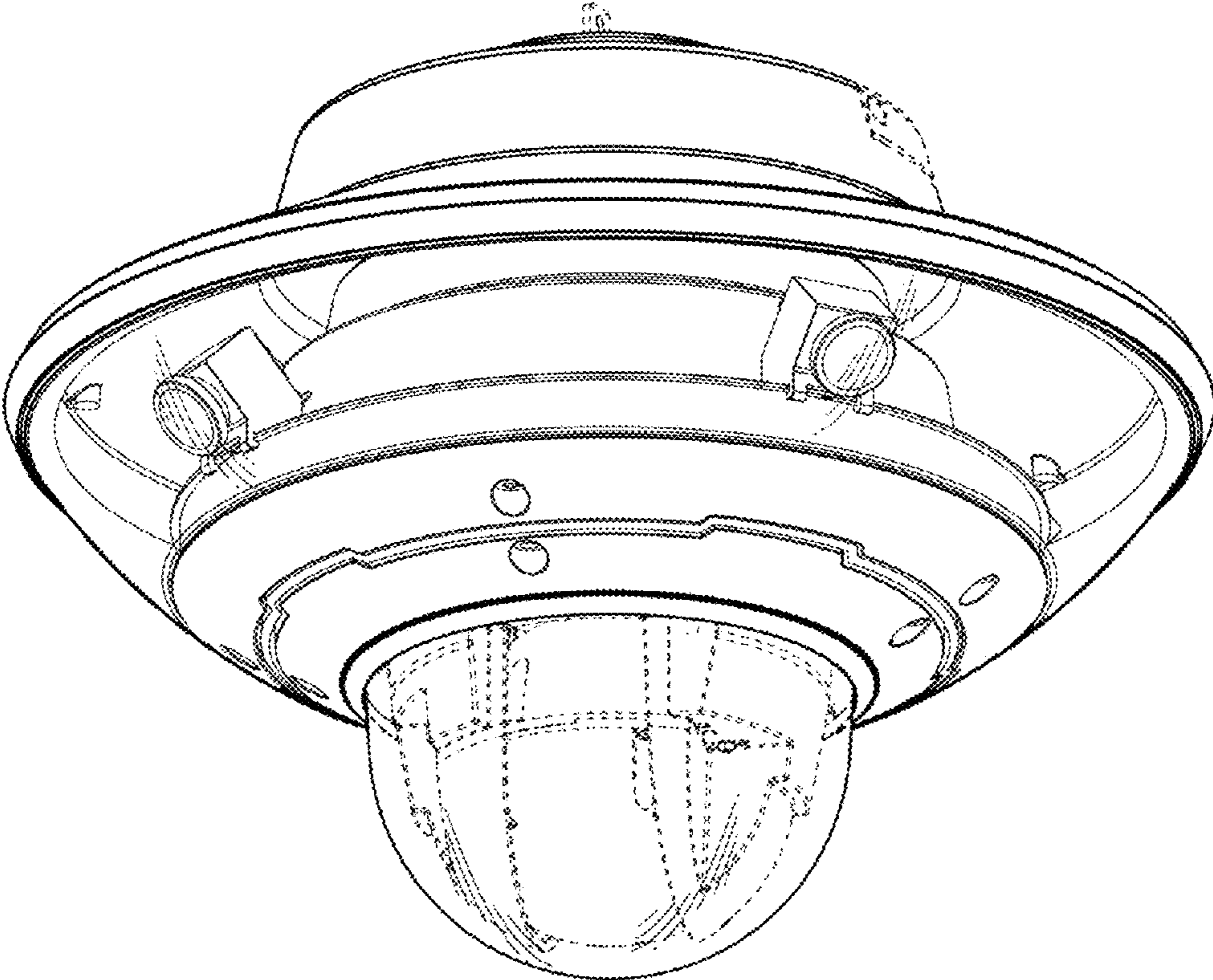


Fig. 1

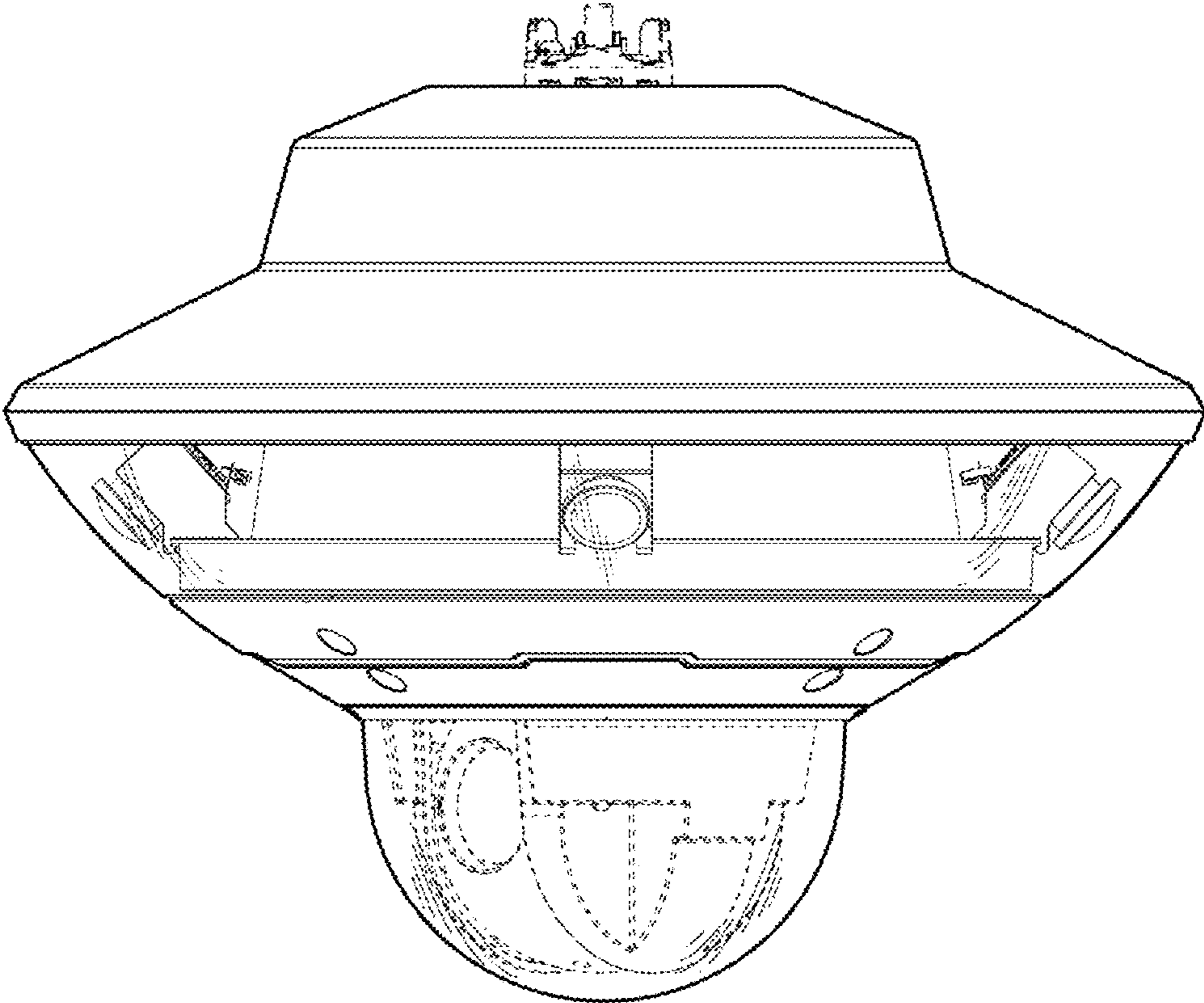


Fig. 2

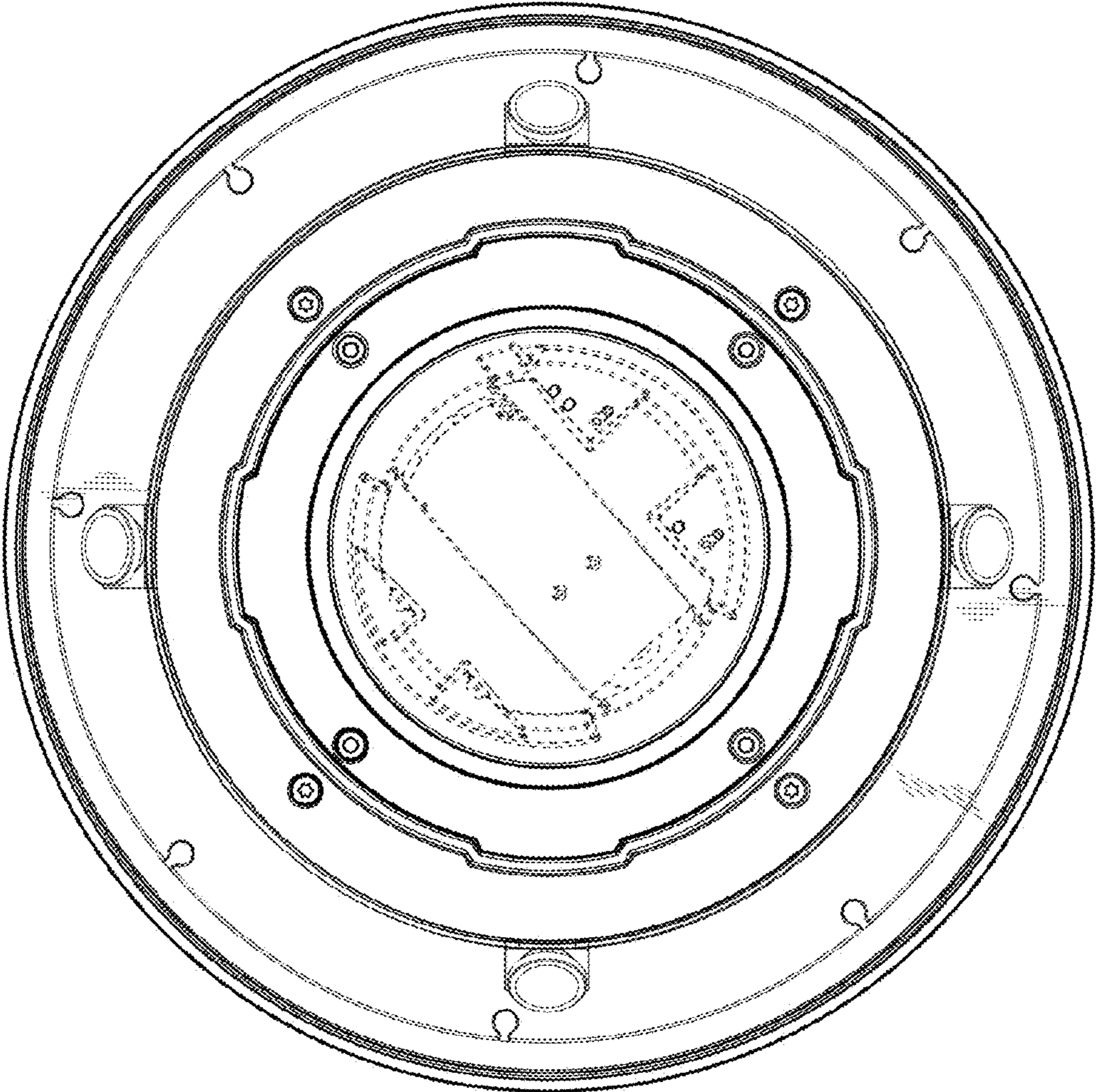


Fig. 3

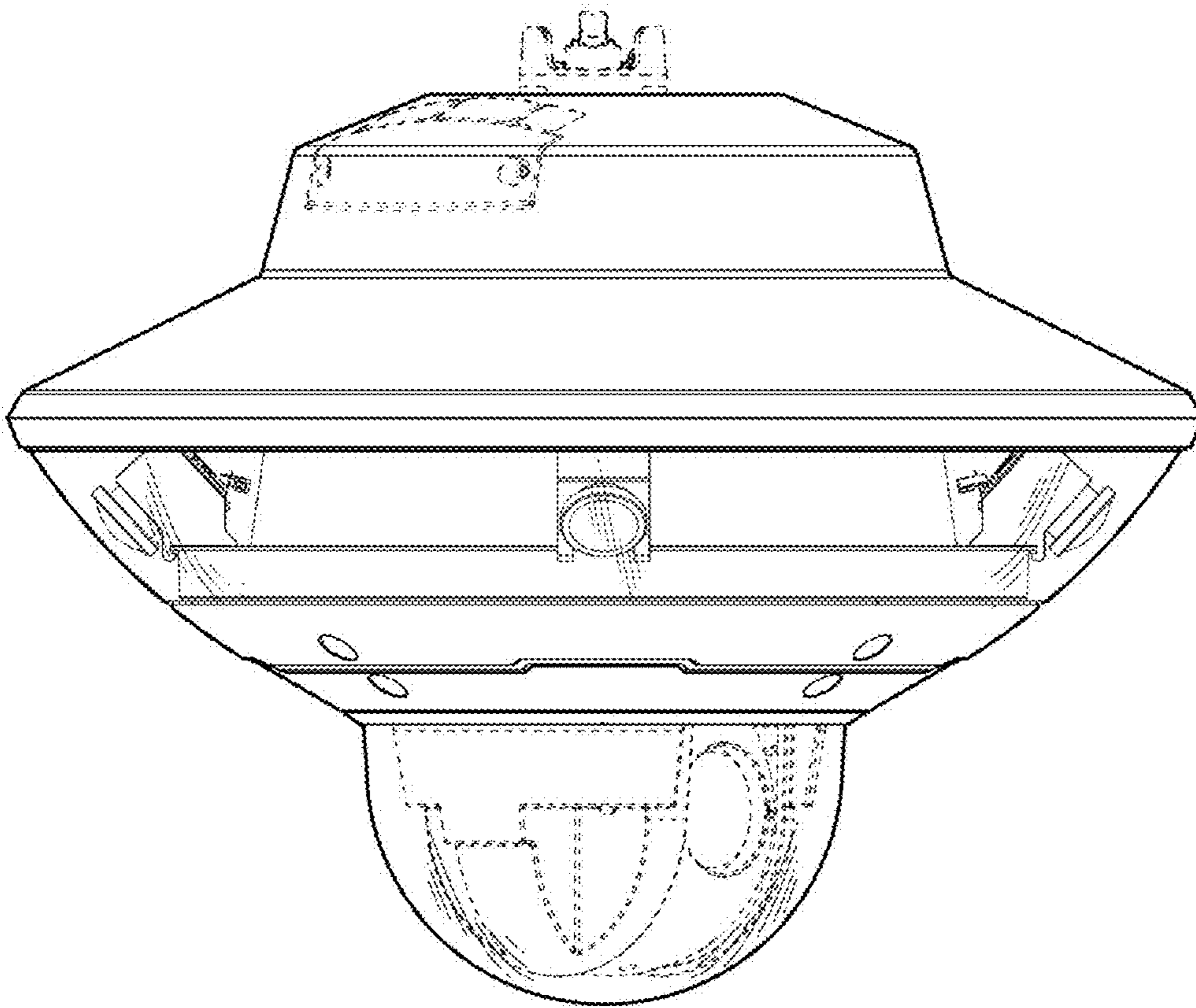


Fig. 4

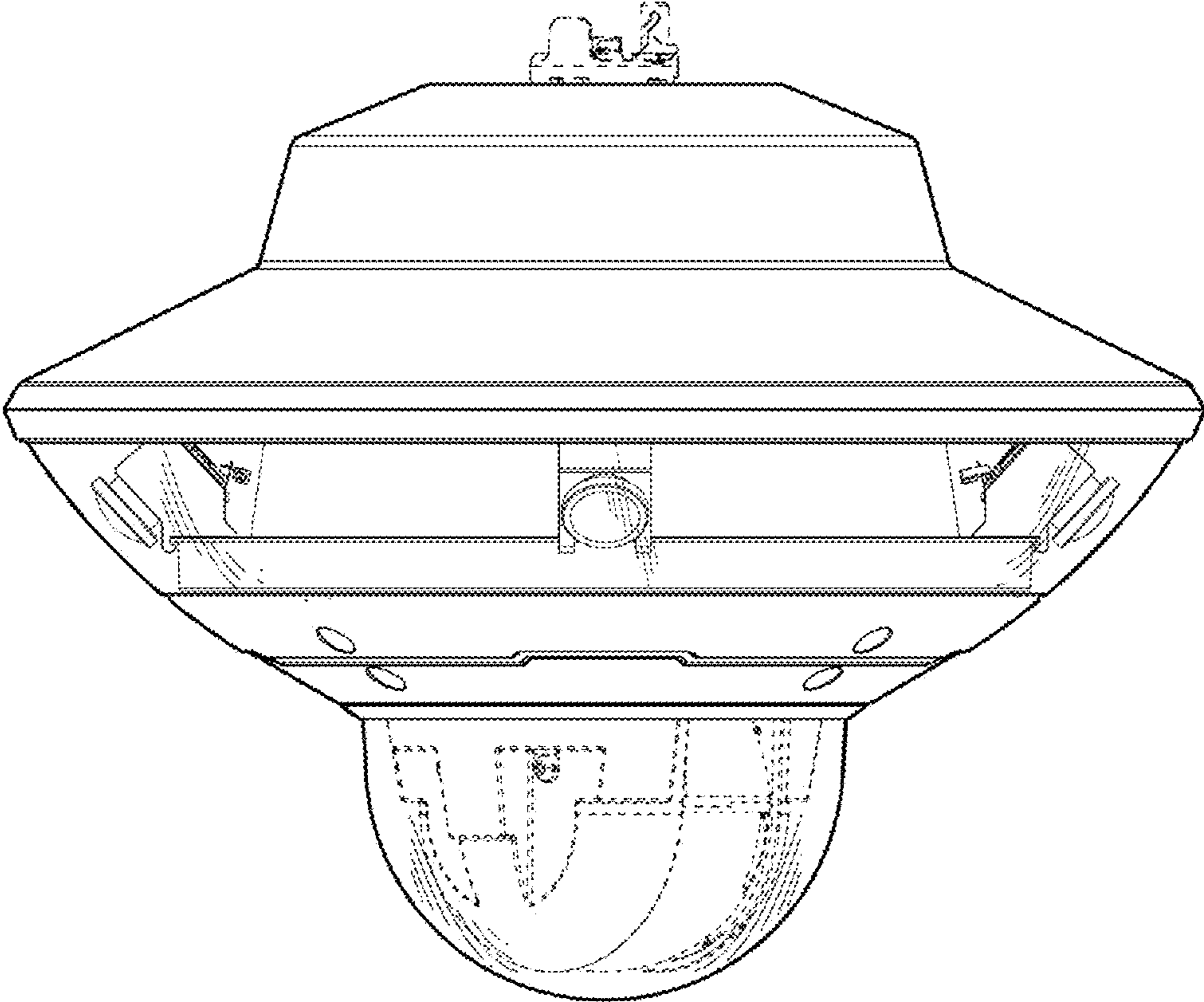


Fig. 5

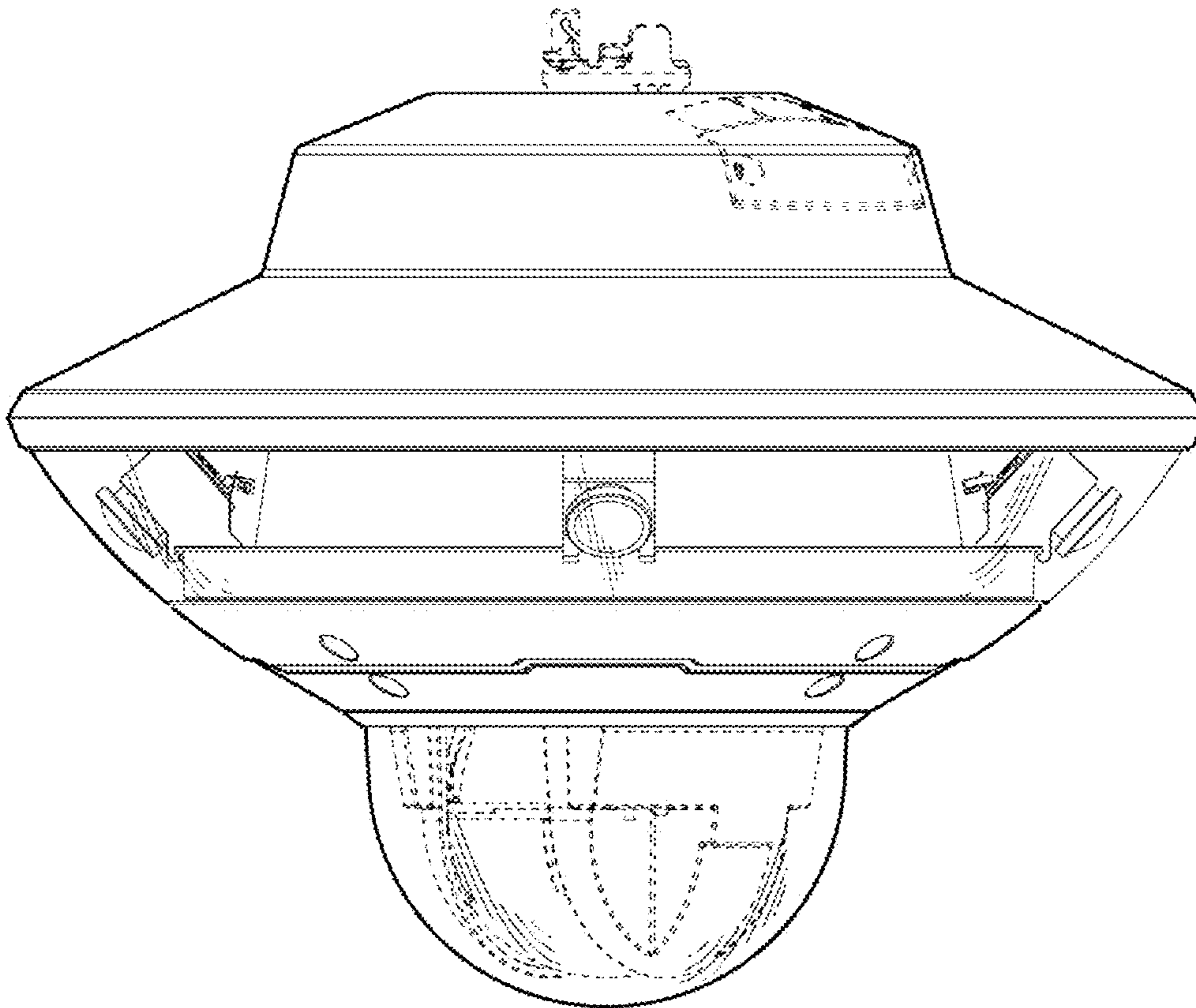


Fig. 6

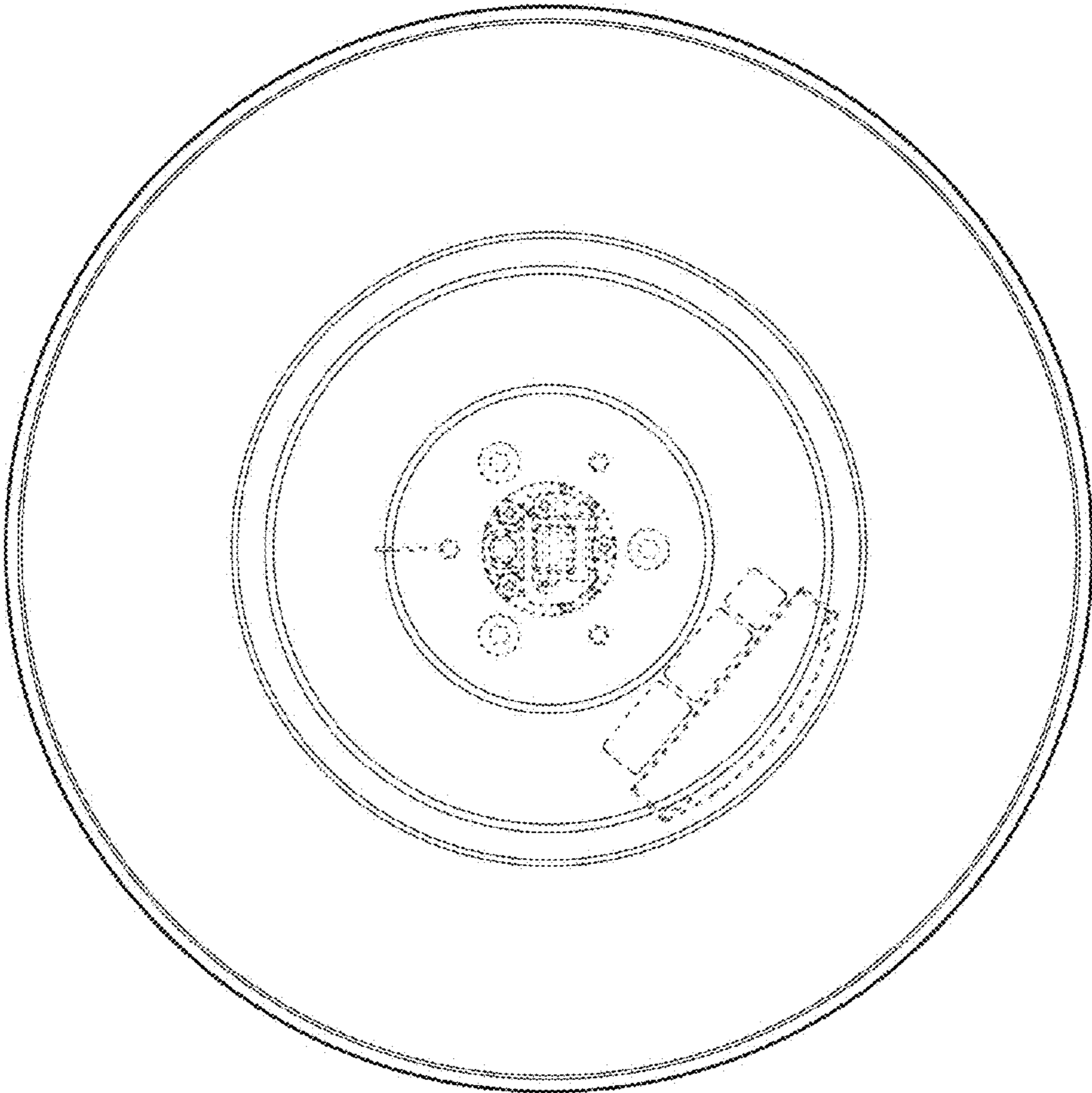


Fig. 7