



US00D750682S

(12) **United States Design Patent**
Andersson et al.

(10) **Patent No.:** **US D750,682 S**
(45) **Date of Patent:** **** Mar. 1, 2016**

(54) **MONITORING CAMERA**

(71) Applicant: **AXIS AB**, Lund (SE)

(72) Inventors: **Mathias Andersson**, Hoganas (SE); **Ola Andersson**, Helsingborg (SE); **Morten Bergstrom**, Bjarred (SE); **Lina Carlsson**, Rydeback (SE); **Johan Hagg**, Lund (SE); **Rafael Portela**, Malmo (SE)

(73) Assignee: **AXIS AB**, Lund (SE)

(**) Term: **14 Years**

(21) Appl. No.: **29/471,651**

(22) Filed: **Nov. 4, 2013**

(30) **Foreign Application Priority Data**

May 7, 2013 (EM) 001370662-0005

(51) **LOC (10) Cl.** **16-01**

(52) **U.S. Cl.**

USPC **D16/203**

(58) **Field of Classification Search**

USPC D16/200, 202–206, 218, 219, 242;
348/143, 148, 151, 373–376; 396/419,
396/427, 535, 539–541
CPC G03B 17/02; G03B 19/04; G03B 17/56;
G03B 17/04; G03B 15/03; H04N 5/2251;
H04N 4/2252; H04N 4/2253; H04N 4/2254;
H04N 7/181; H04N 7/183; H04N 7/18;
G08B 13/1963; G08B 13/19619; G08B
13/19632; F16M 11/04; F16M 13/00

See application file for complete search history.

(56) **References Cited**

U.S. PATENT DOCUMENTS

D508,067 S * 8/2005 Deguchi D16/203
D527,405 S * 8/2006 Kim et al. D16/203
D577,758 S * 9/2008 Ferris et al. D16/203
D620,513 S * 7/2010 Richards D16/203

D628,225 S 11/2010 Deurwaarder
D636,804 S * 4/2011 Anneback et al. D16/203
D639,328 S * 6/2011 Zeinoun et al. D16/203
D639,843 S * 6/2011 Zeinoun et al. D16/203
D655,328 S * 3/2012 Anneback et al. D16/219
D662,120 S 6/2012 Deurwaarder
D690,345 S 9/2013 Seo et al.
D702,275 S * 4/2014 Ying D16/203
D708,654 S * 7/2014 Tani D16/203

FOREIGN PATENT DOCUMENTS

TW D153141 4/2013
WO 001703992-0001 5/2010
WO 001703992-0002 5/2010
WO 001703992-0003 5/2010

OTHER PUBLICATIONS

<http://www.panasonic.com/business/provideo/d2hbmvp550-3.asp>
(May 1, 2013).
<http://www.ecvv.com/product/3660520.html> (May 1, 2013).
<http://www.overview.co.uk/products/standard-products/18-limpet-wallmount.html> (May 1, 2013).

* cited by examiner

Primary Examiner — Adir Aronovich

Assistant Examiner — Ramzi Almatrahi

(74) *Attorney, Agent, or Firm* — Volpe and Koenig, P.C.

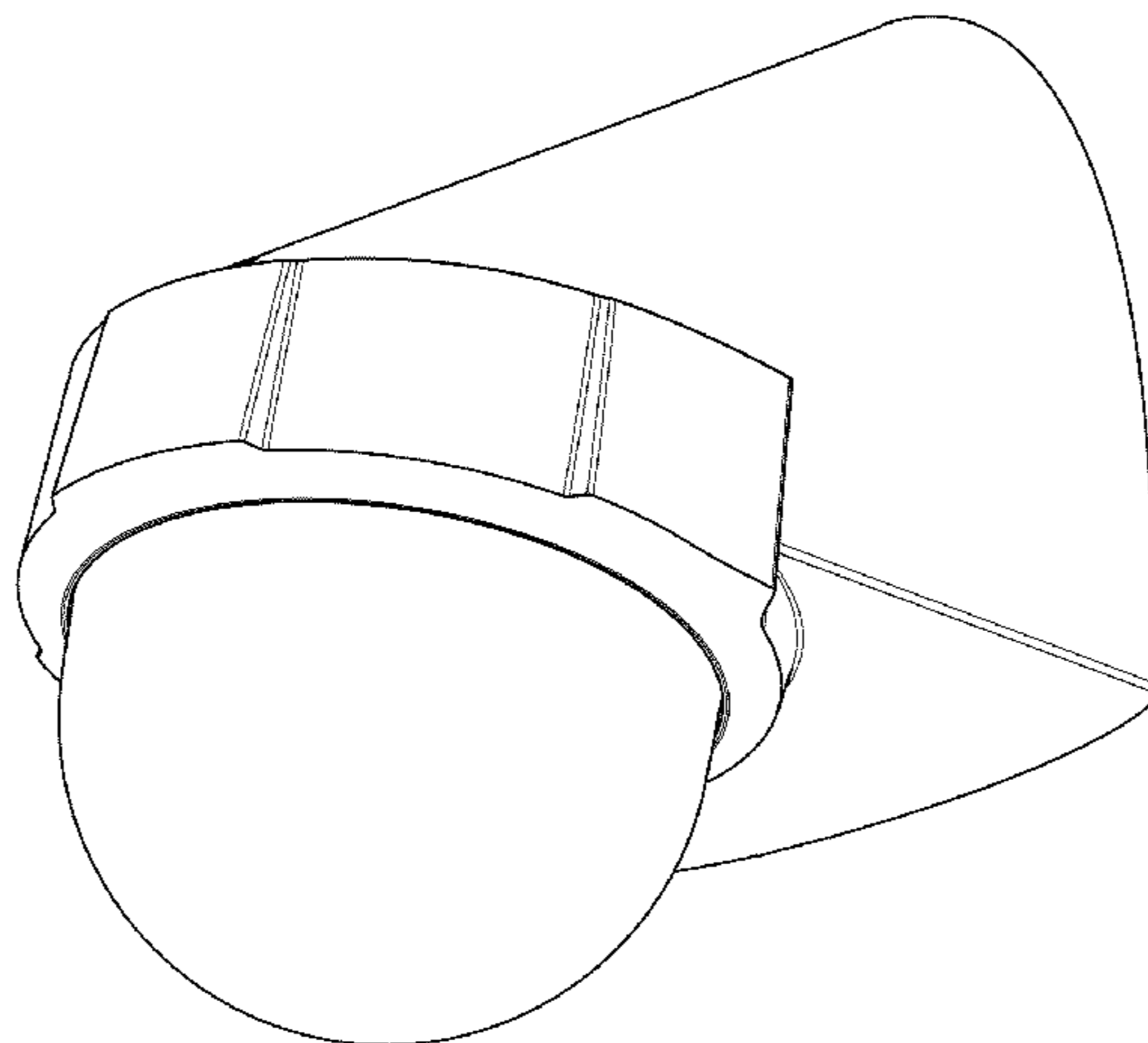
(57) **CLAIM**

The ornamental design for a monitoring camera, as shown and described.

DESCRIPTION

FIG. 1 is a bottom, front, right perspective view of a monitoring camera in accordance with our design;
FIG. 2 is a front elevational view thereof;
FIG. 3 is a left side elevational view thereof;
FIG. 4 is a right side elevational view thereof;
FIG. 5 is a top plan view thereof;
FIG. 6 is a bottom plan view thereof; and,
FIG. 7 is a rear elevational view thereof.

1 Claim, 7 Drawing Sheets



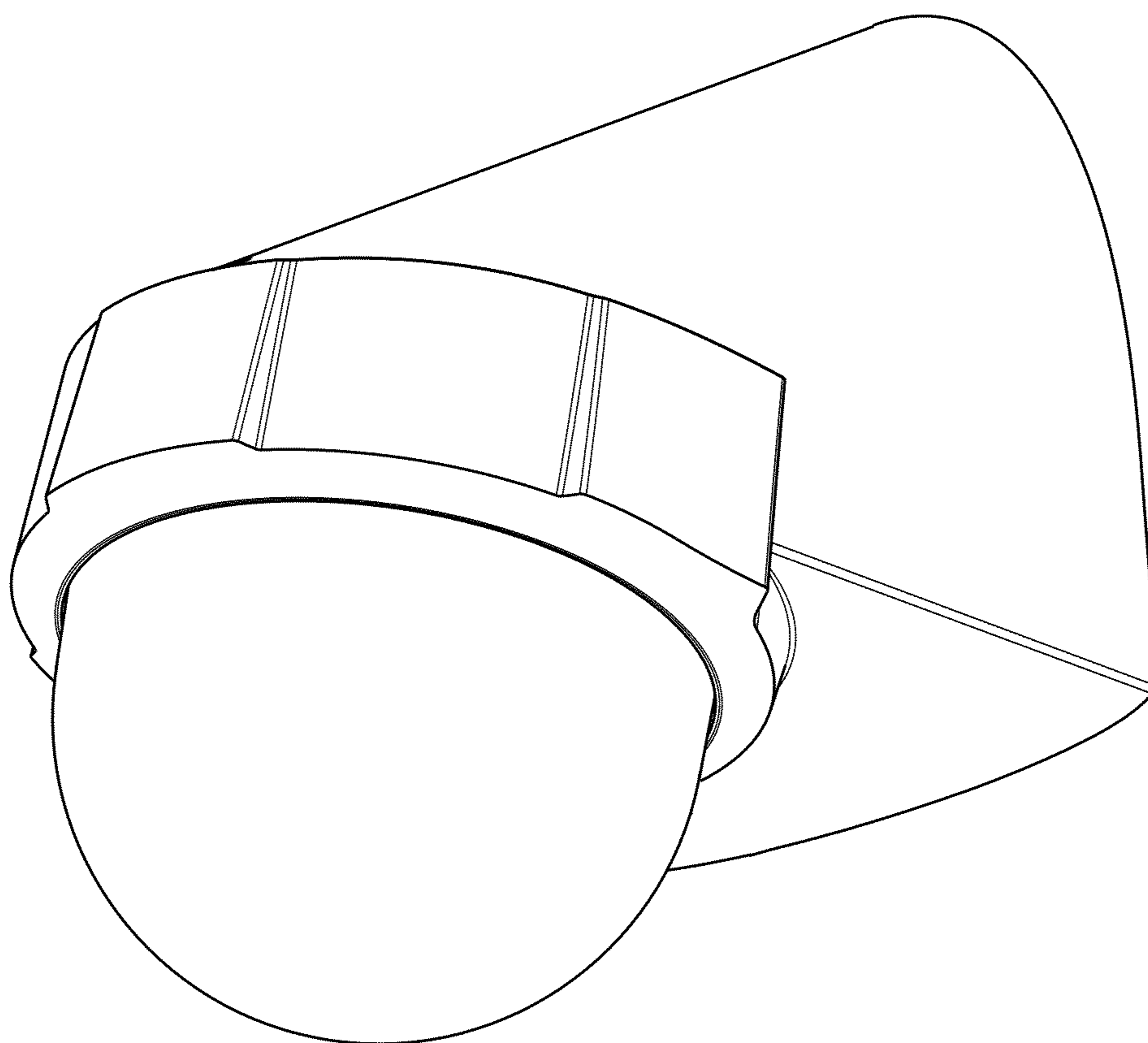


Figure 1

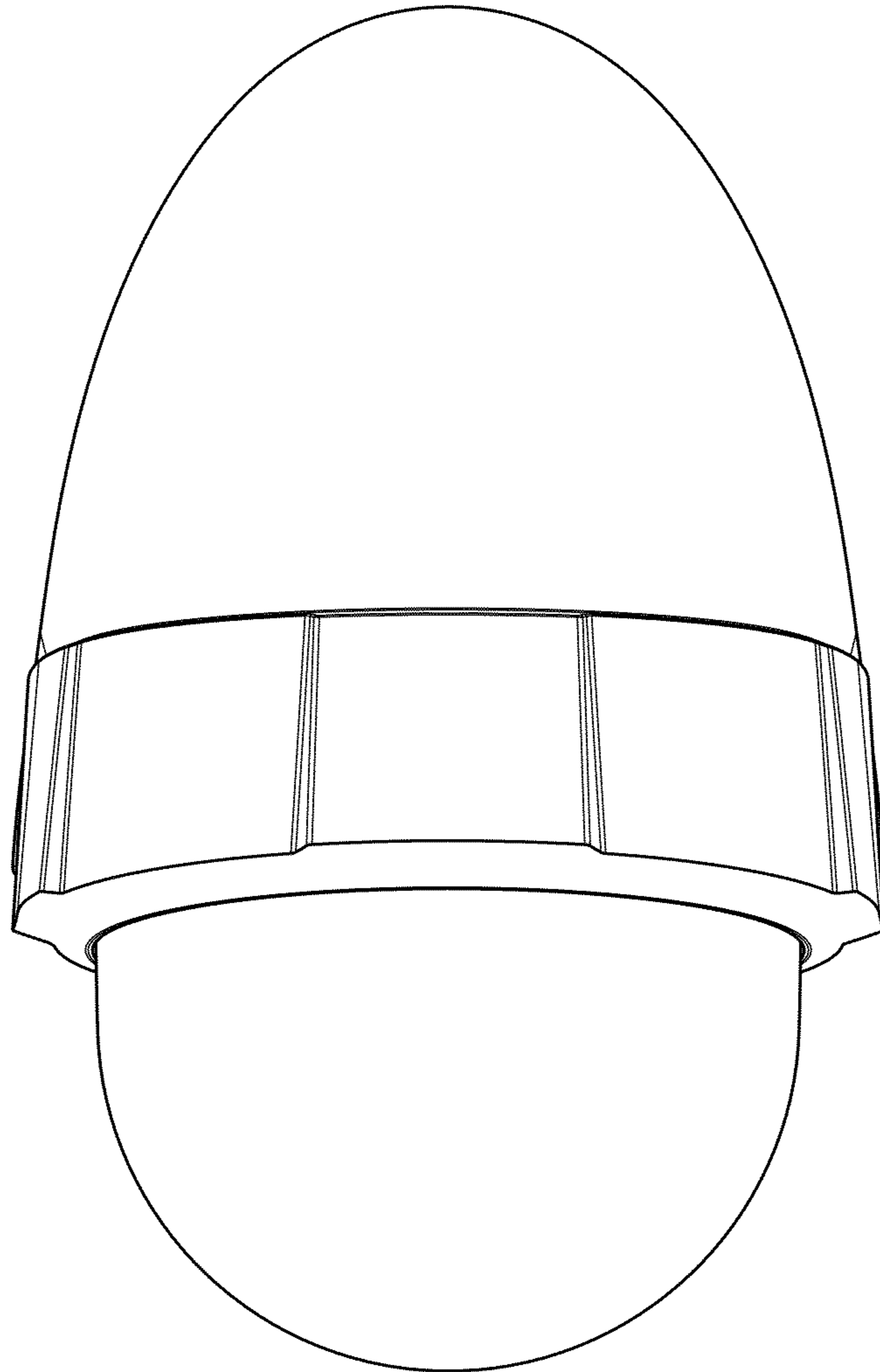


Figure 2

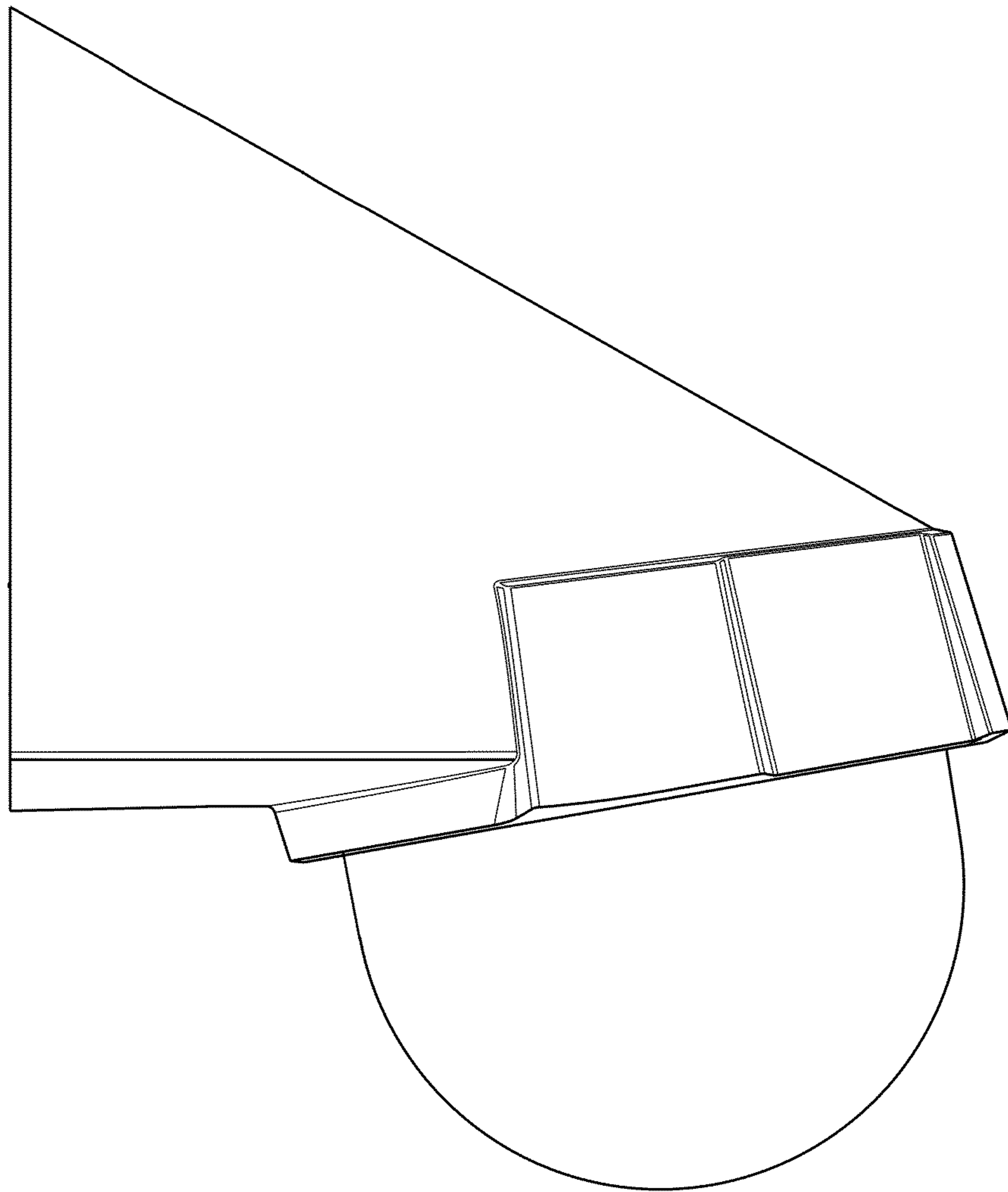


Figure 3

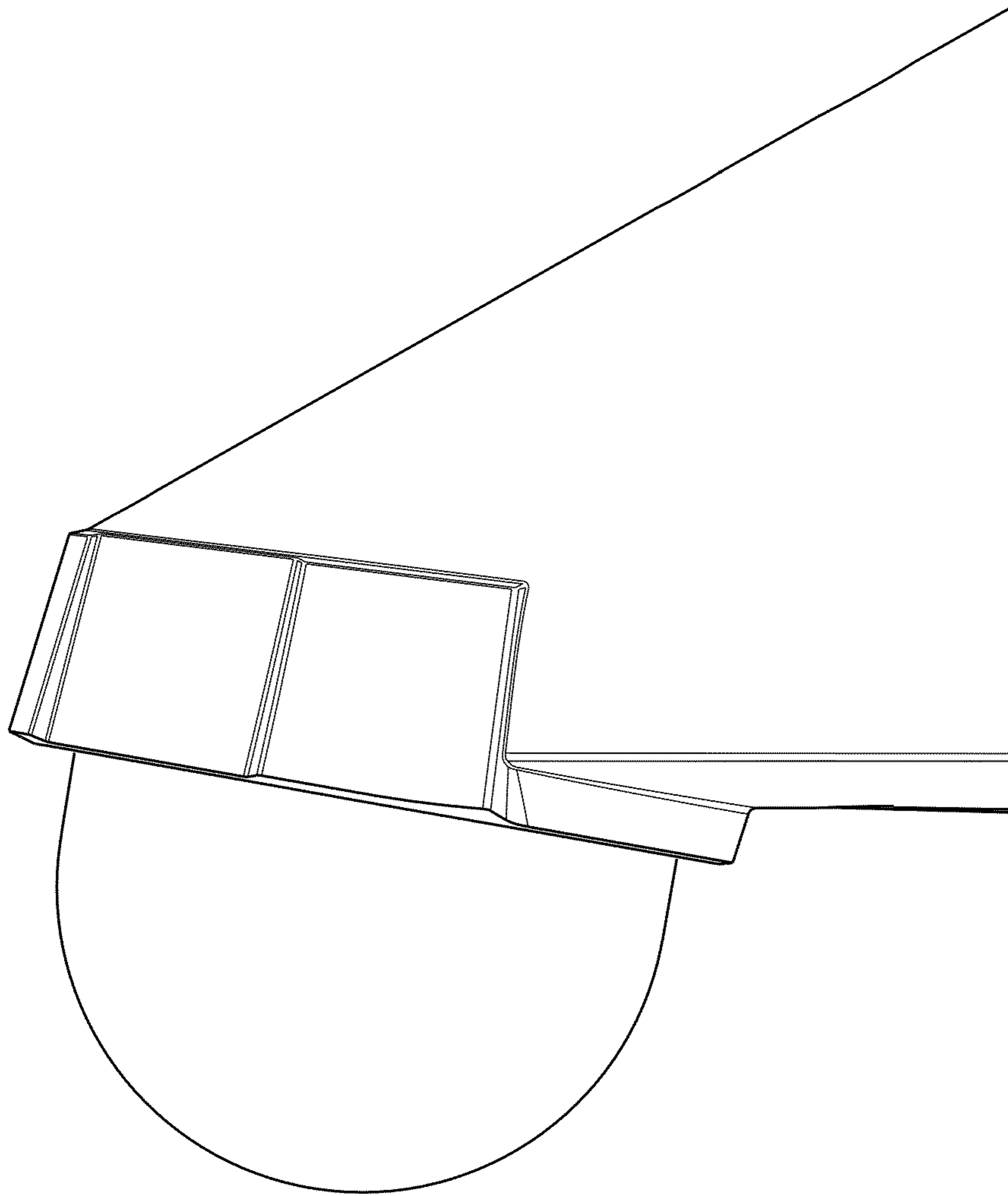


Figure 4

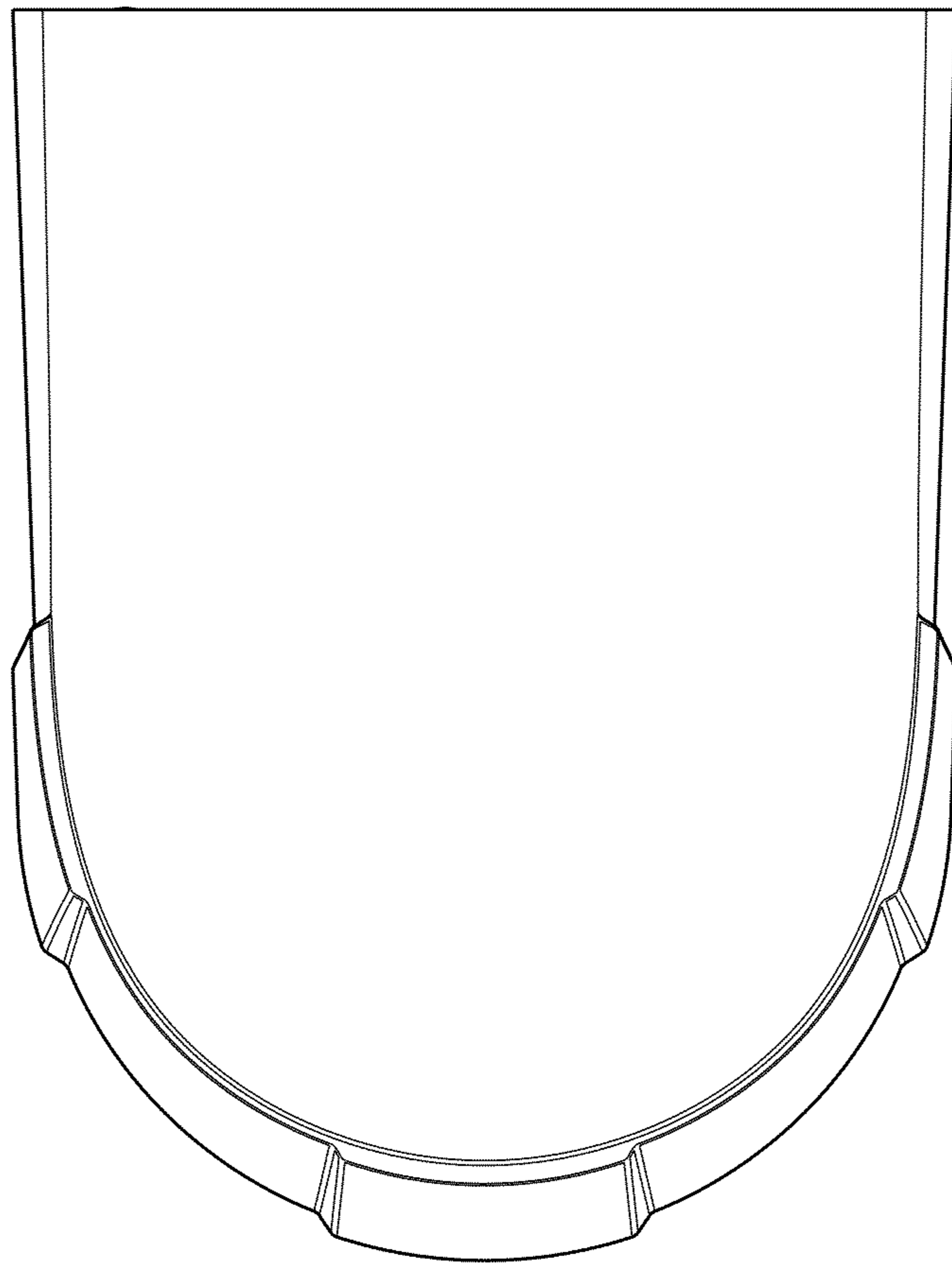


Figure 5

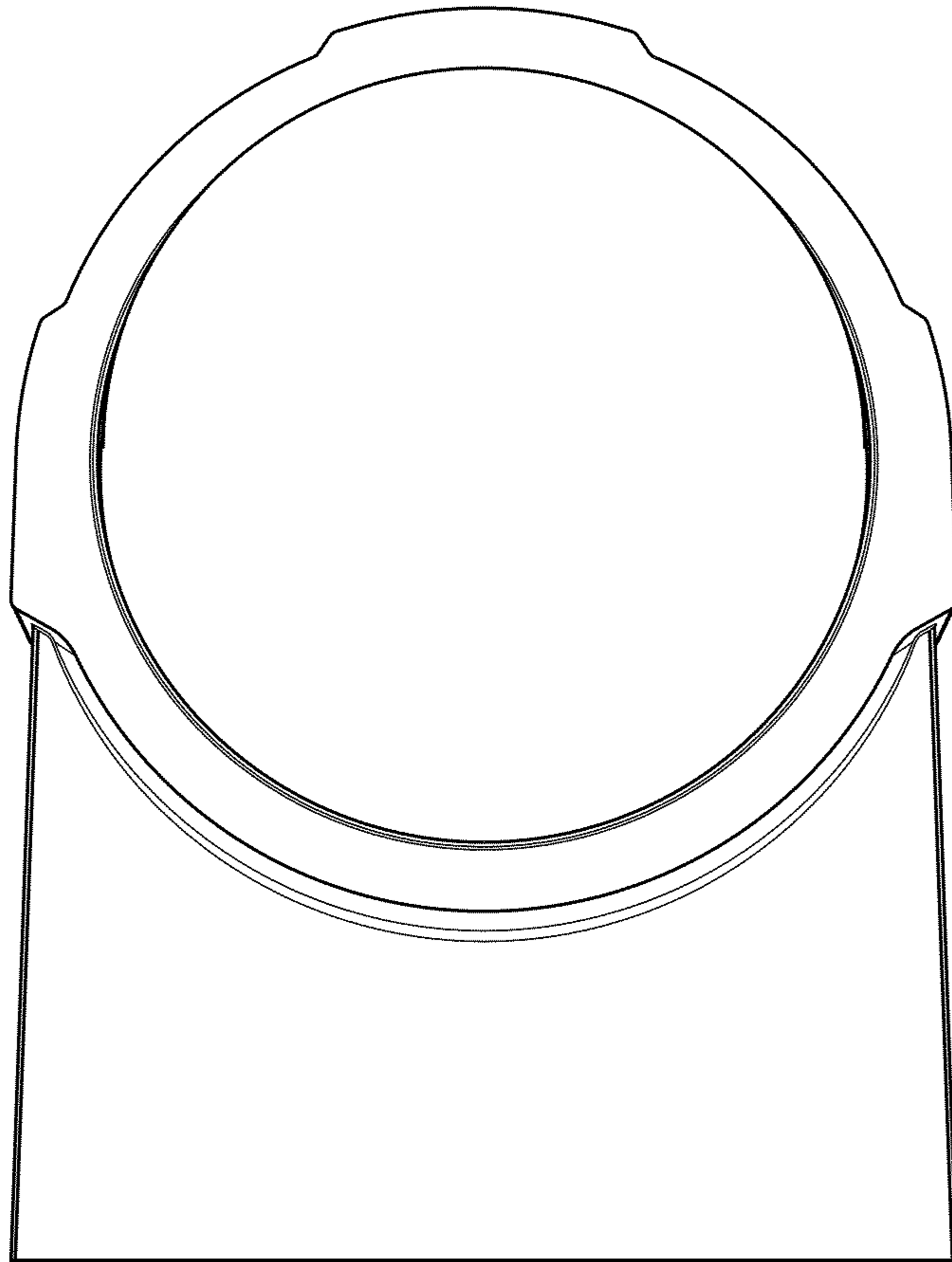


Figure 6

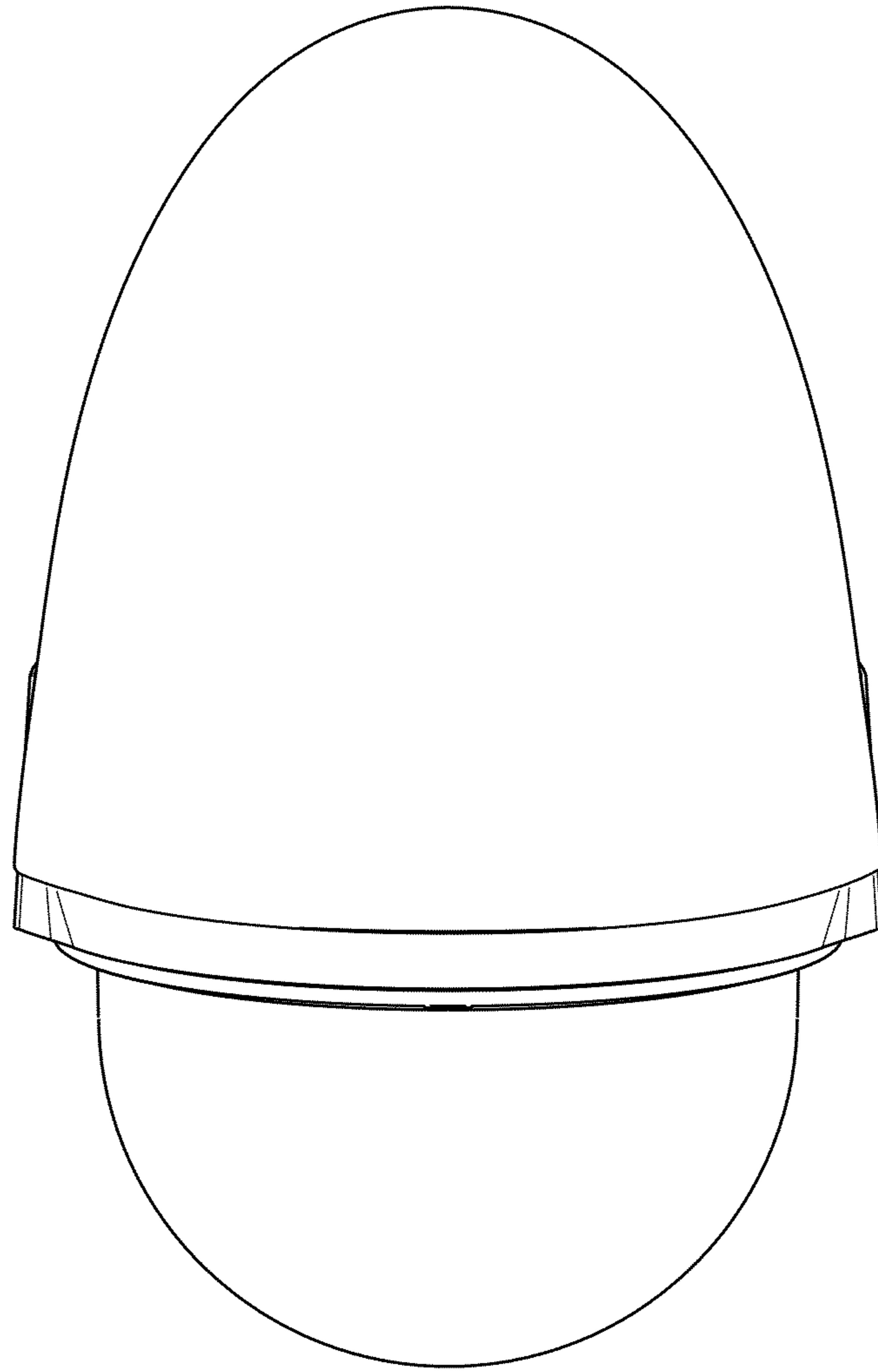


Figure 7