



US00D750681S

(12) **United States Design Patent**
Takami

(10) **Patent No.:** **US D750,681 S**
(45) **Date of Patent:** **** Mar. 1, 2016**

(54) **CAMERA**

(71) Applicant: **Panasonic Intellectual Property Management Co., Ltd.**, Osaka (JP)

(72) Inventor: **Mitsuru Takami**, Osaka (JP)

(73) Assignee: **Panasonic Intellectual Property Management Co., Ltd.**, Osaka (JP)

(**) Term: **14 Years**

(21) Appl. No.: **29/519,997**

(22) Filed: **Mar. 10, 2015**

(30) **Foreign Application Priority Data**

Sep. 26, 2014 (JP) 2014-021333

(51) **LOC (10) Cl.** **16-01**

(52) **U.S. Cl.**
USPC **D16/202**

(58) **Field of Classification Search**
USPC D16/200, 202-203, 208, 218, 219;
248/187.1; 348/14.01-14.6, 143, 148,
348/151, 373-376; 396/419, 427, 428, 535,
396/539-541
CPC G03B 17/02; G03B 19/04; G03B 17/56;
G03B 17/04; G03B 15/03; H04N 2101/00;
H04N 2007/0145; H04N 7/141; H04N 7/142;
H04N 7/147; H04N 7/148; H04N 7/15;
H04N 7/152

See application file for complete search history.

(56) **References Cited**

U.S. PATENT DOCUMENTS

D441,000	S	*	4/2001	Vanderwilt	D16/202
D530,732	S	*	10/2006	Tanaka	D16/202
D554,168	S	*	10/2007	Shi	D16/202
7,503,709	B2	*	3/2009	Liang	G03B 17/00 348/373
D600,730	S	*	9/2009	Su	D16/202
D629,031	S	*	12/2010	Su	D16/202
D641,388	S	*	7/2011	Shih	D16/202
D651,230	S	*	12/2011	Tan	D16/202
D665,439	S	*	8/2012	Khamsepoor	D16/202
8,593,567	B2	*	11/2013	Xiao	H04N 5/2251 348/373
D698,380	S	*	1/2014	Fletcher	D16/202
D709,117	S	*	7/2014	Gan	D16/202
2012/0236195	A1	*	9/2012	Chang	H04N 5/2252 348/333.06

* cited by examiner

Primary Examiner — Adir Aronovich

Assistant Examiner — Ramzi Almatrahi

(74) *Attorney, Agent, or Firm* — Panasonic Patent Center

(57) **CLAIM**

I claim the ornamental design for a camera, as shown and described.

DESCRIPTION

FIG. 1 is a front perspective view of a camera of the present invention;
FIG. 2 is a rear perspective view thereof;
FIG. 3 is a front elevation view thereof;
FIG. 4 is a rear elevation view thereof;
FIG. 5 is a left side elevation view thereof;
FIG. 6 is a right side elevation view thereof;
FIG. 7 is a top plan view thereof; and,
FIG. 8 is a bottom plan view thereof.

1 Claim, 8 Drawing Sheets

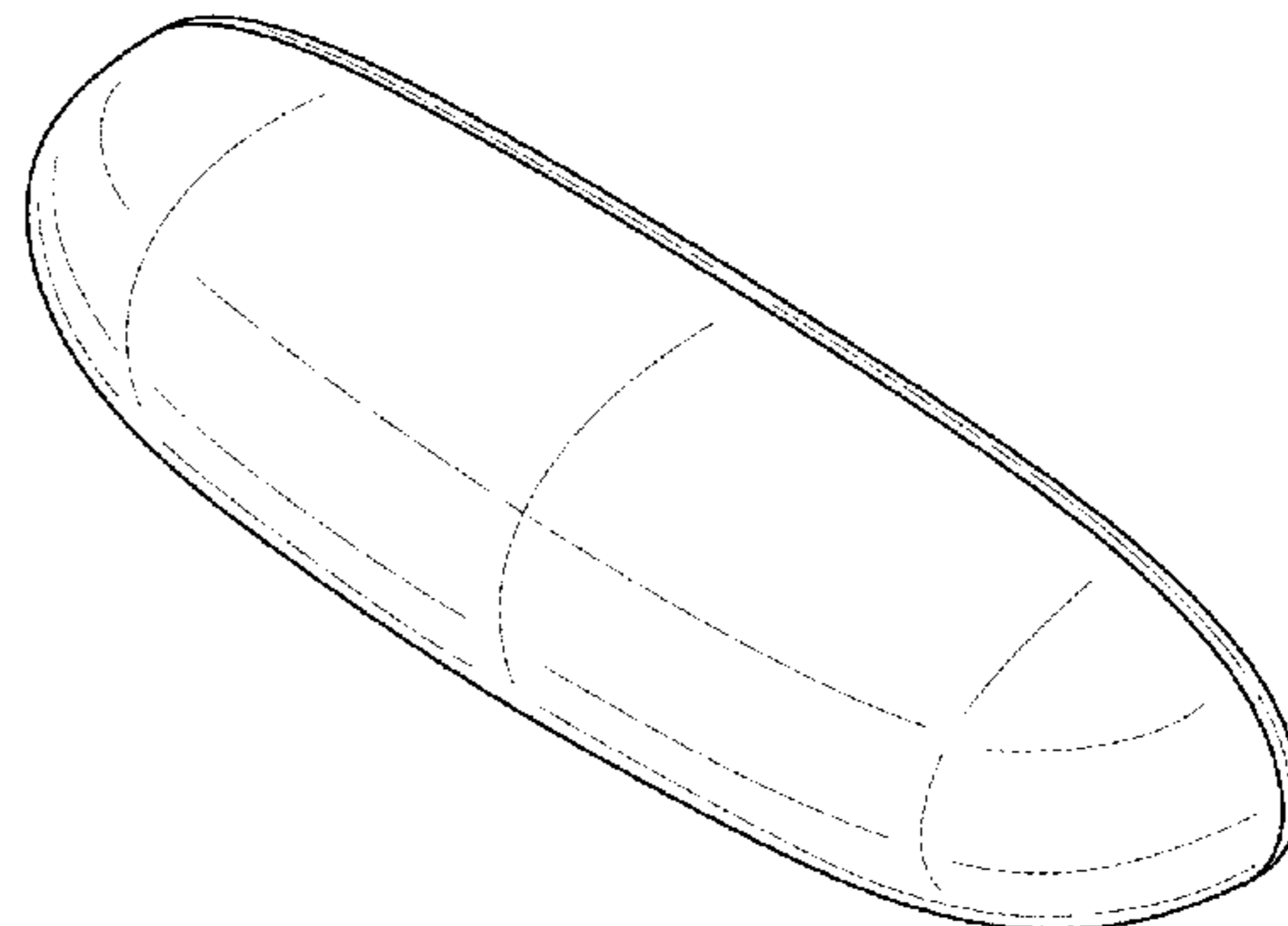
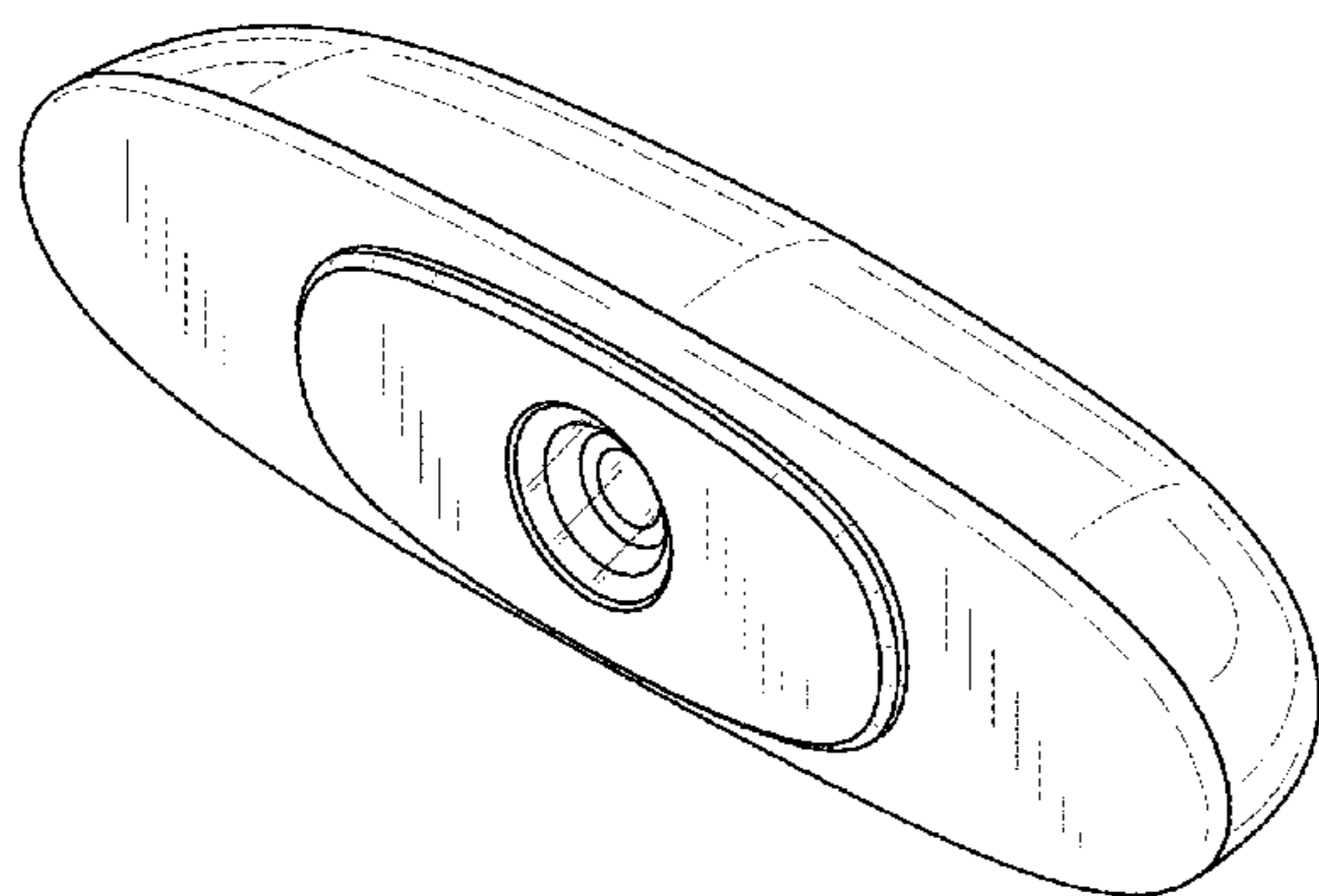


FIG. 1

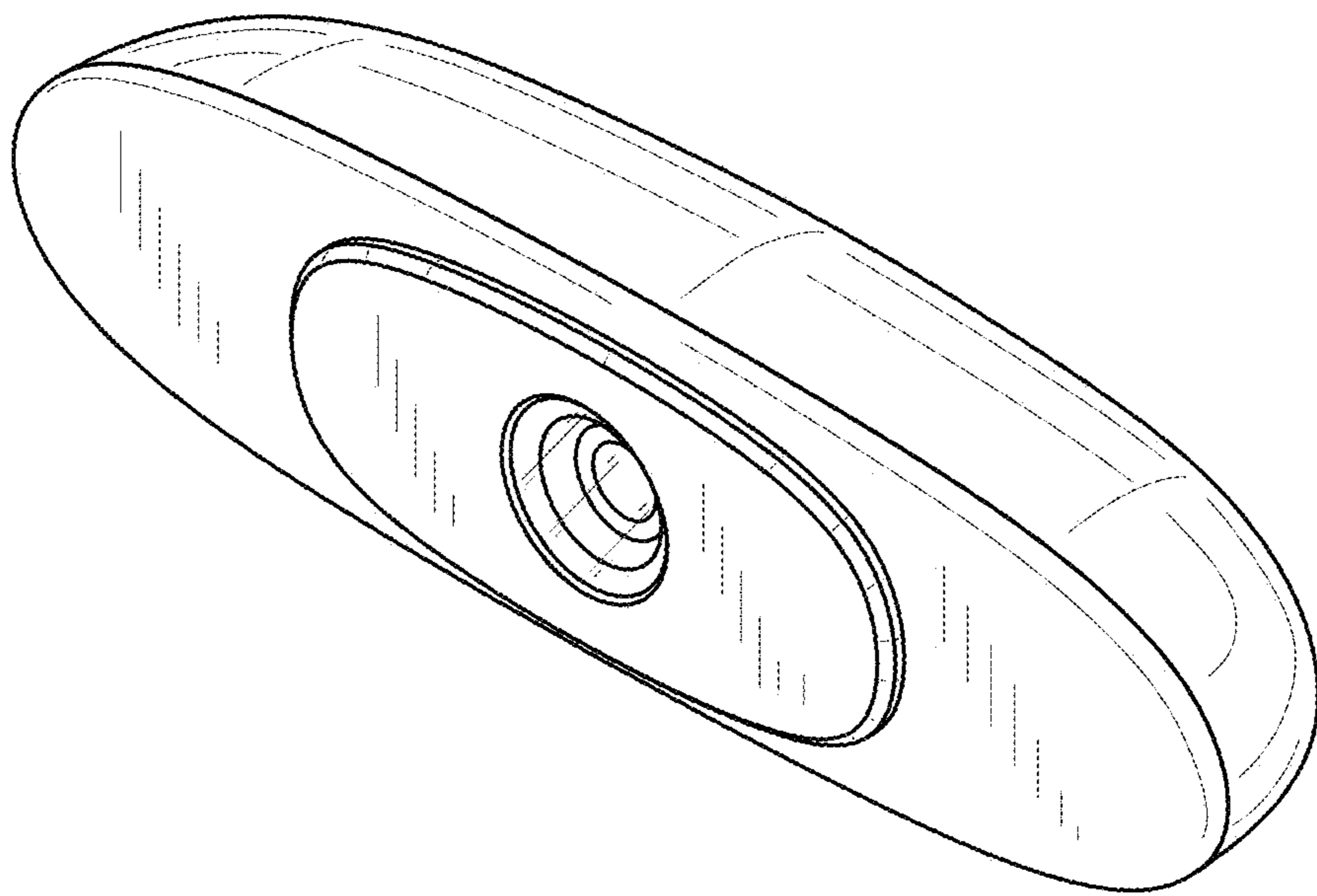


FIG. 2

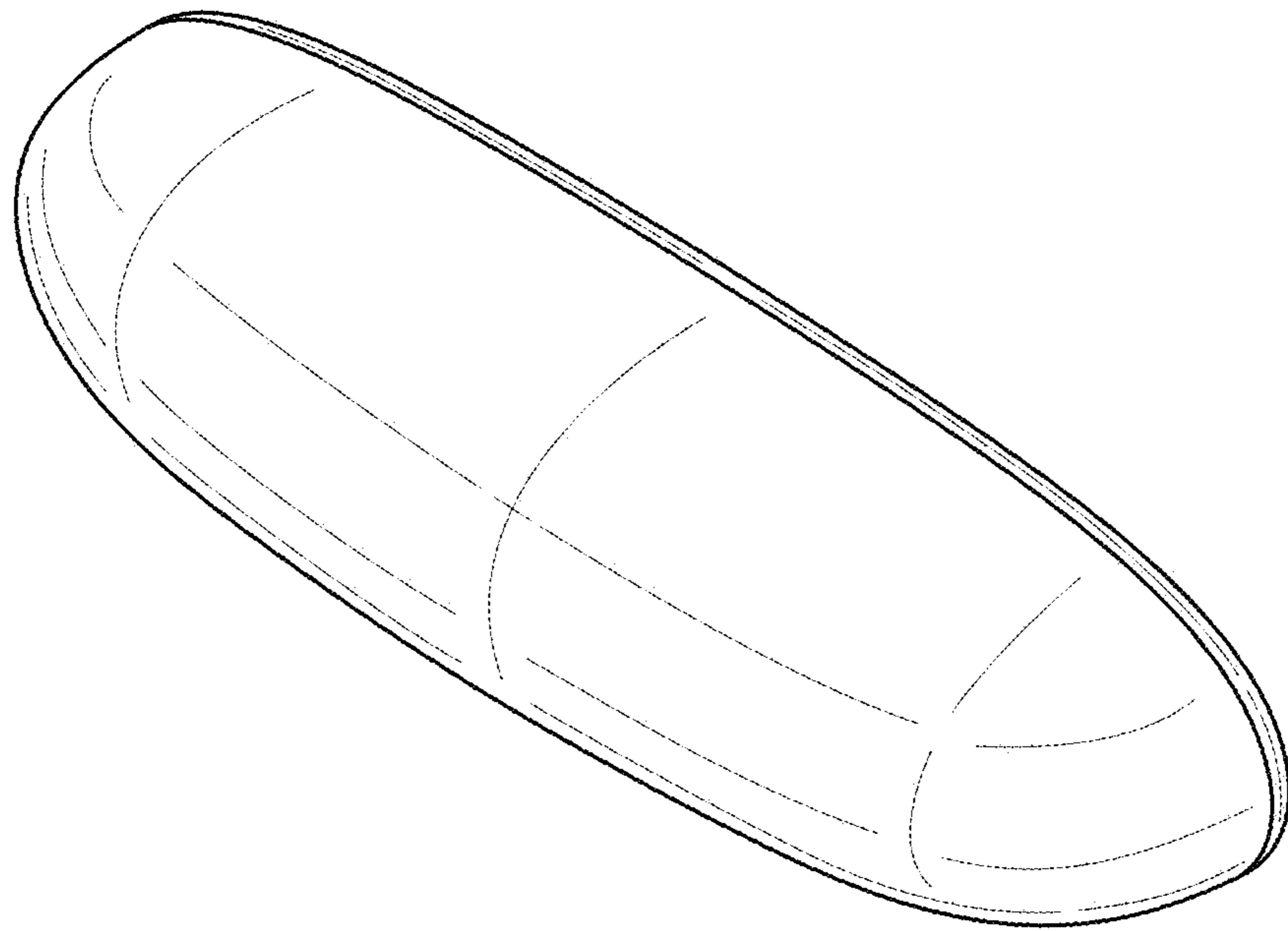


FIG. 3

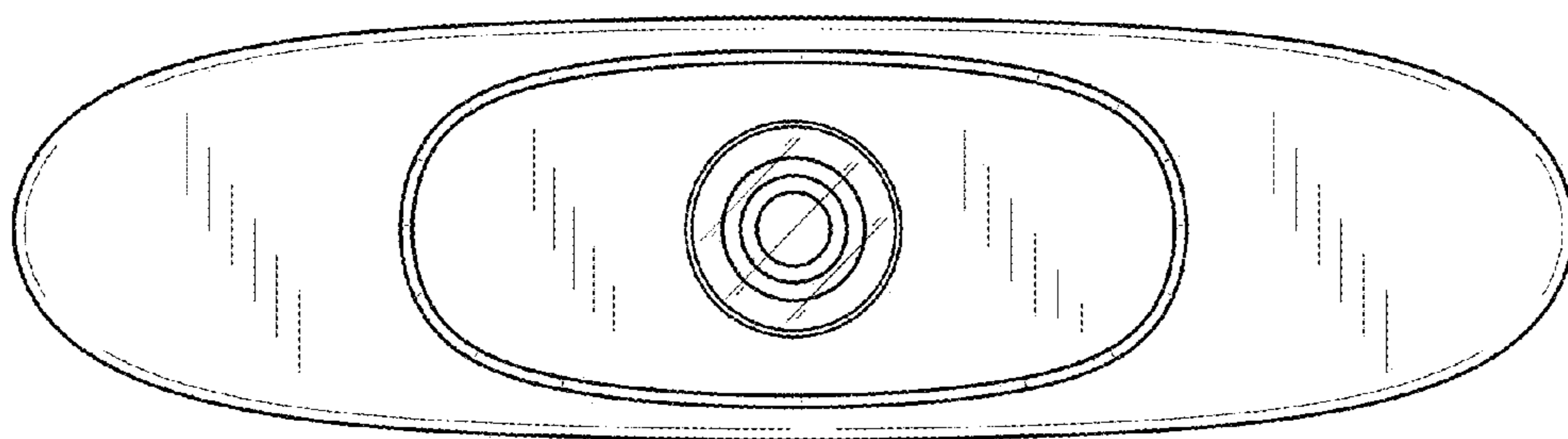


FIG. 4

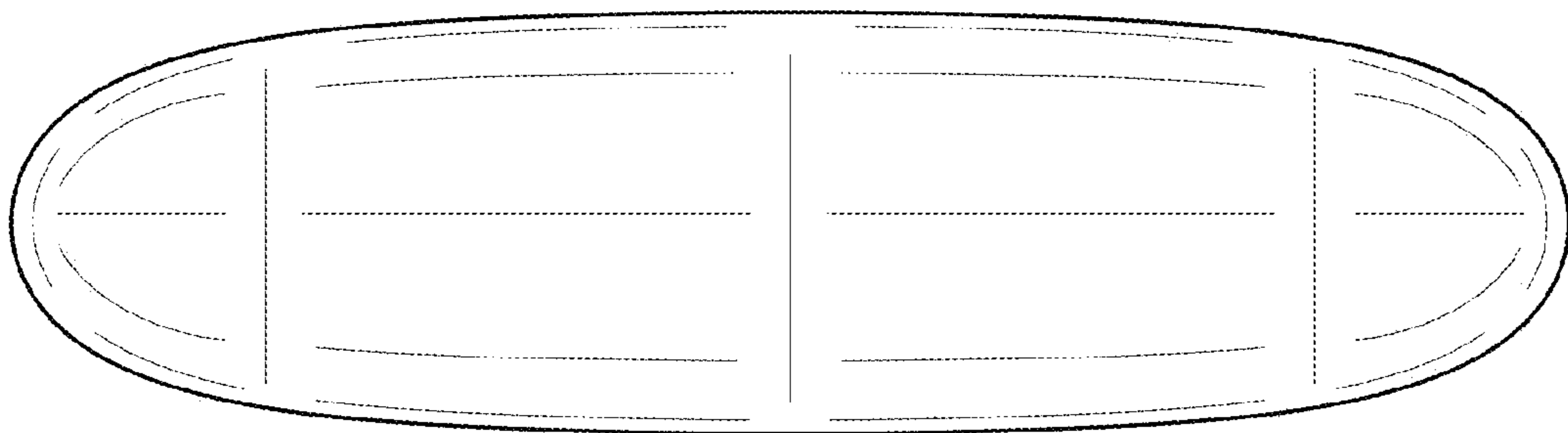


FIG. 5

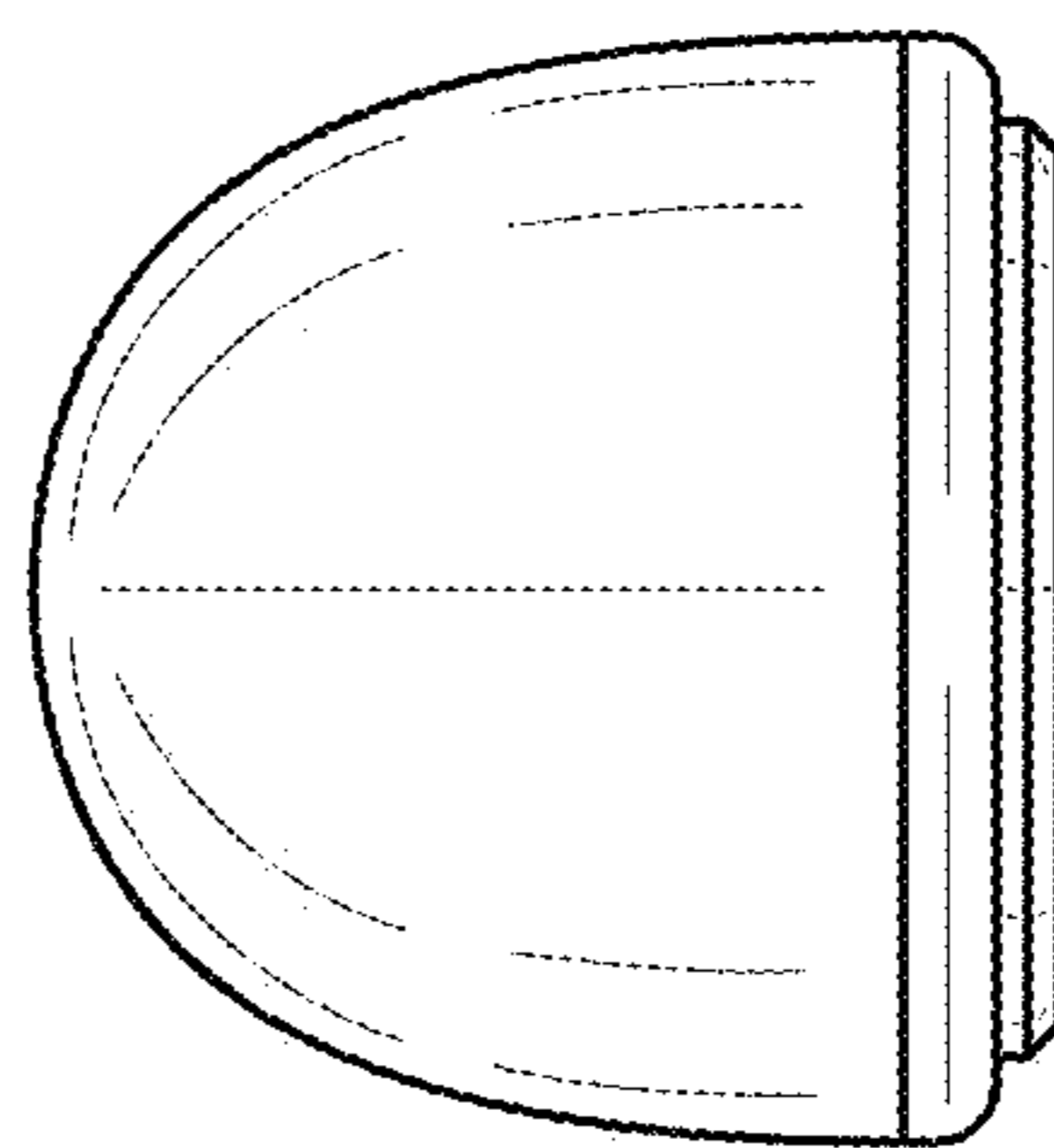


FIG. 6

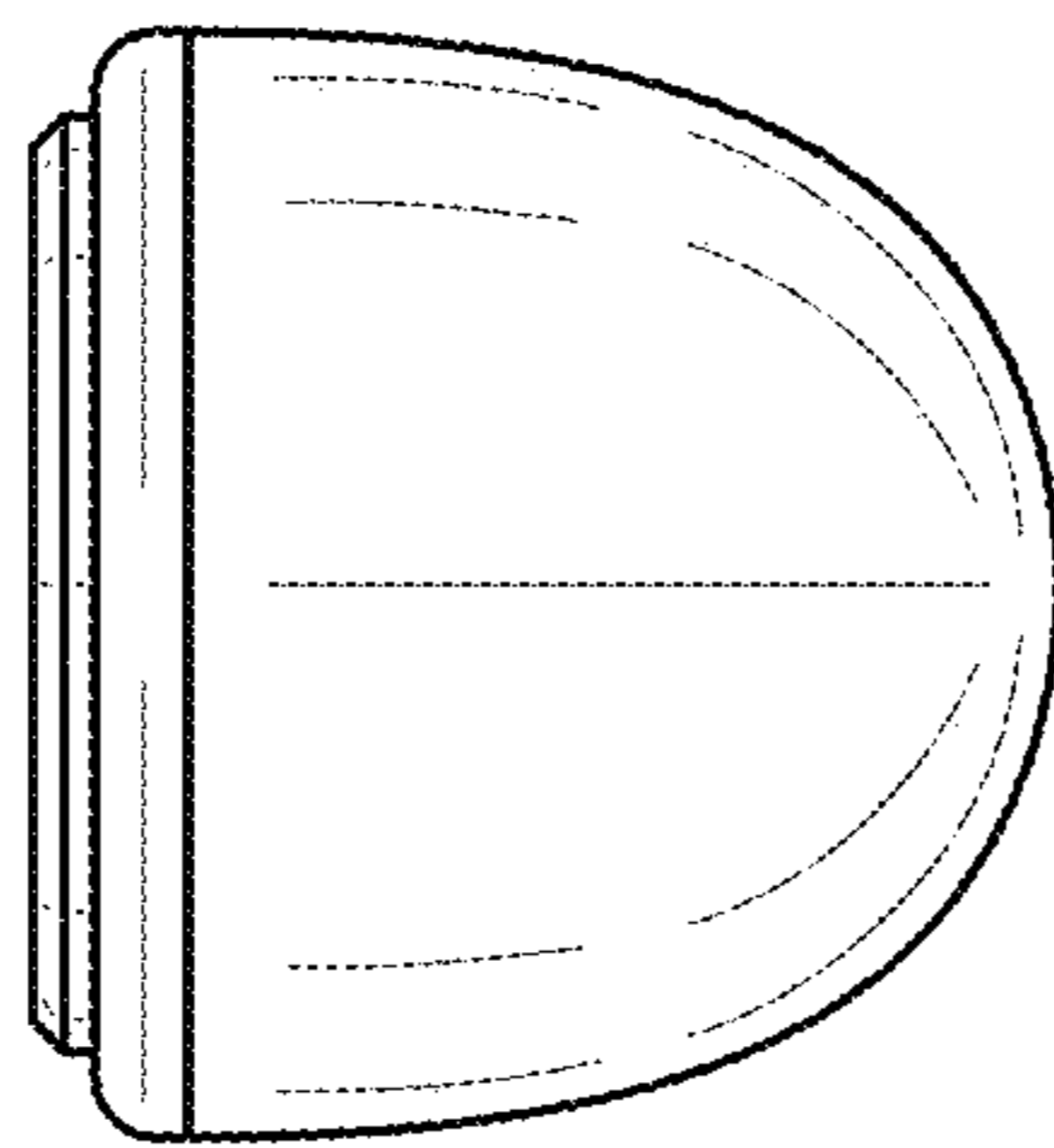


FIG. 7

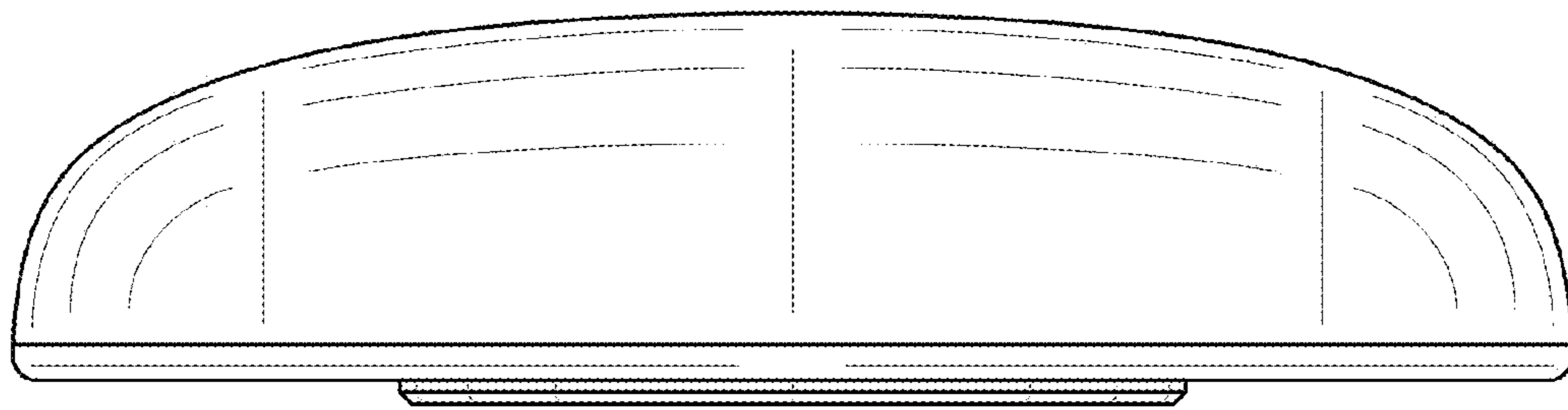


FIG. 8

