



US00D750680S

(12) **United States Design Patent**
Chen

(10) **Patent No.:** **US D750,680 S**

(45) **Date of Patent:** **** Mar. 1, 2016**

(54) **CAMERA HOUSING**

(71) Applicant: **ShenZhen Dazzne Technical Limited,**
Shenzhen (CN)

(72) Inventor: **Wei-Kun Chen,** Shenzhen (CN)

(73) Assignee: **ShenZhen Dazzne Technical Limited,**
Shenzhen (CN)

(**) Term: **14 Years**

(21) Appl. No.: **29/515,084**

(22) Filed: **Jan. 20, 2015**

(30) **Foreign Application Priority Data**

Oct. 20, 2014 (CN) 2014 3 0396451

(51) **LOC (10) Cl.** **16-01**

(52) **U.S. Cl.**

USPC **D16/200**

(58) **Field of Classification Search**

USPC D16/200, 202, 203, 204, 208, 218, 219,
D16/242; 348/373–376; 396/419, 535,
396/539–541

CPC G03B 17/00; G03B 17/02; H04N 5/2251;
H04N 5/2252; H04N 5/2253; H04N 5/2254

See application file for complete search history.

(56) **References Cited**

U.S. PATENT DOCUMENTS

D460,474 S *	7/2002	Gotham	D16/219
8,014,656 B2 *	9/2011	Woodman	B63B 25/002 396/419
D646,313 S *	10/2011	Woodman	D16/218
D657,808 S *	4/2012	Woodman	D16/200
D702,747 S *	4/2014	Woodman	D16/200
D710,922 S *	8/2014	Gioscia	D16/200
D725,169 S *	3/2015	Gioscia	D16/200

* cited by examiner

Primary Examiner — Adir Aronovich

(74) *Attorney, Agent, or Firm* — Novak Druce Connolly
Bove + Quigg LLP

(57) **CLAIM**

The ornamental design for a camera housing, as shown and described.

DESCRIPTION

FIG. 1 is a front, top and right side perspective view of a camera housing showing my new design;

FIG. 2 is a front elevational view the camera housing.

FIG. 3 is a rear elevational view the camera housing.

FIG. 4 is a left side elevation view of the camera housing.

FIG. 5 is a right side elevation view of the camera housing.

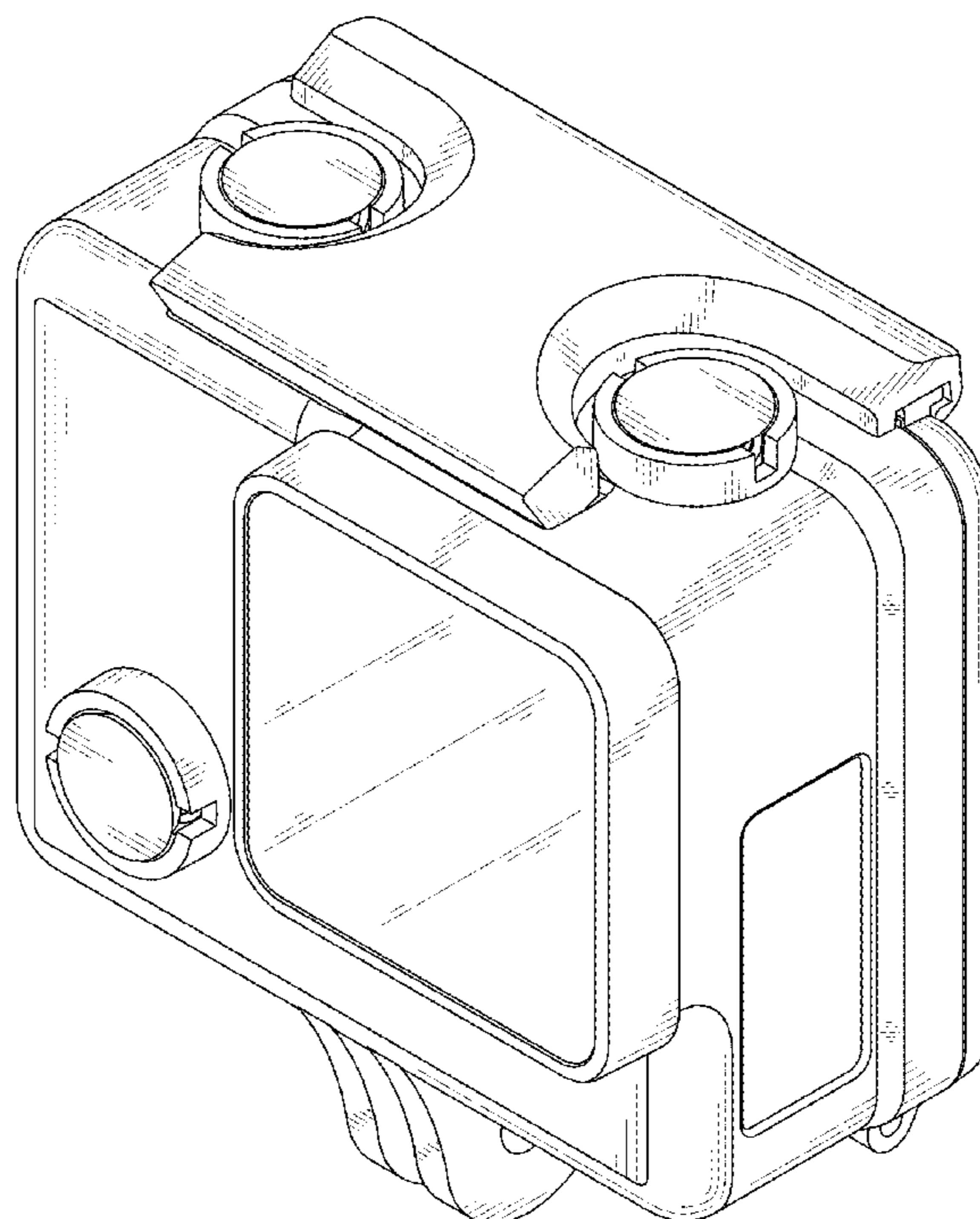
FIG. 6 is a top plan view of the camera housing.

FIG. 7 is a bottom plan view of the camera housing; and,

FIG. 8 is a front, top and left side perspective view of the camera housing shown in a state of use.

The broken line portions of the camera housing in FIG. 8 are shown to illustrate environmental support structure and form no part of the claimed design.

1 Claim, 8 Drawing Sheets



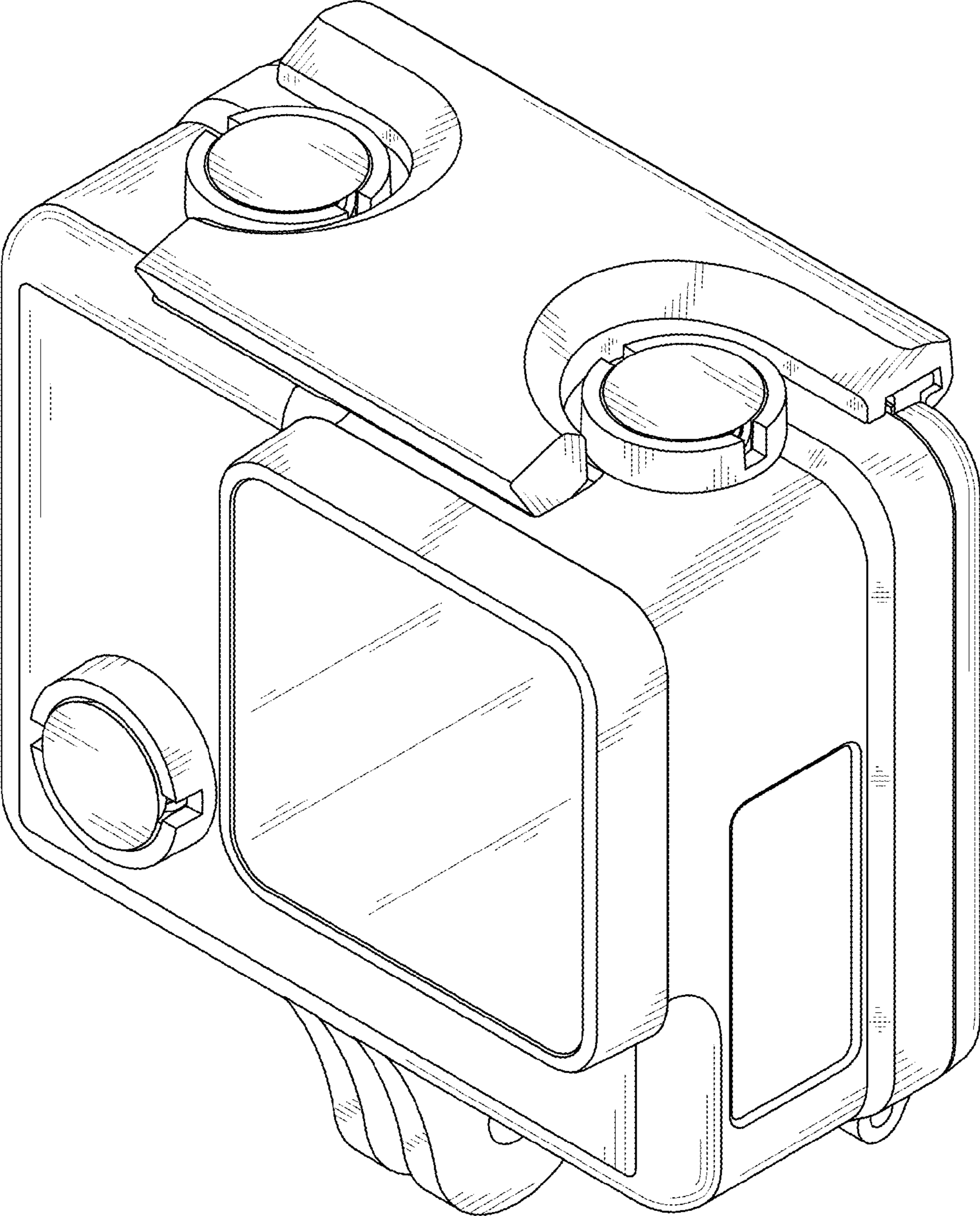


FIG. 1

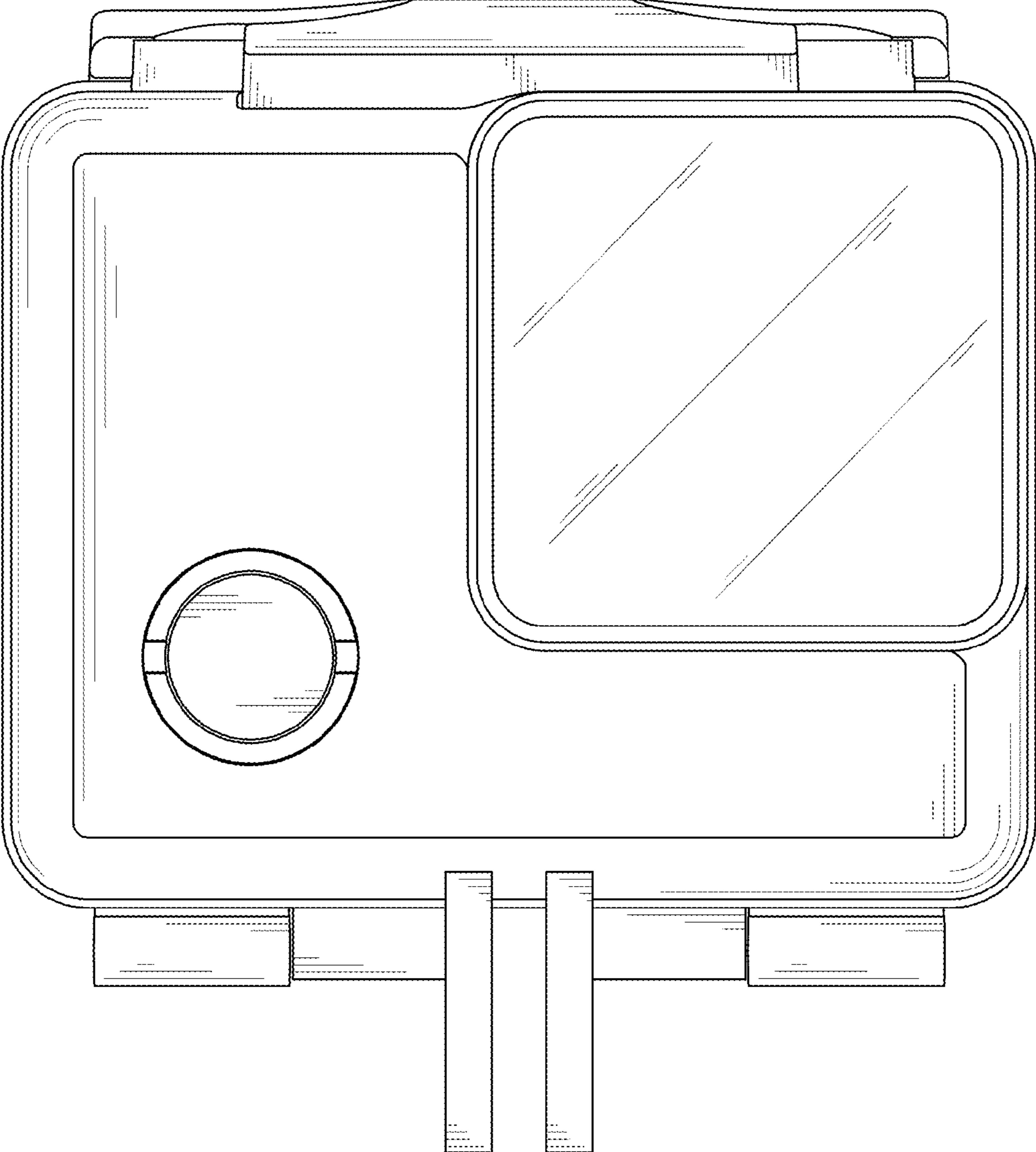


FIG. 2

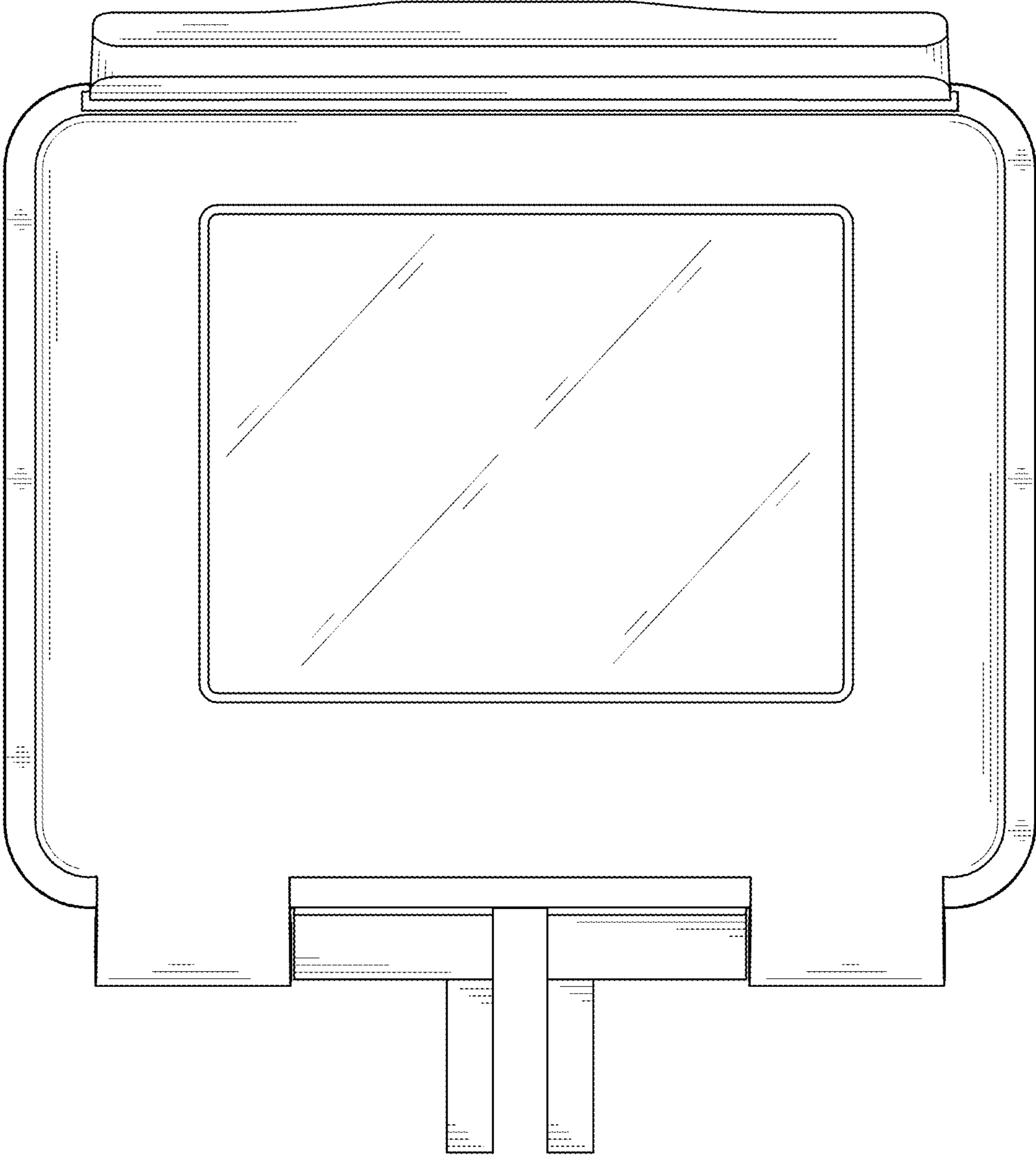


FIG. 3

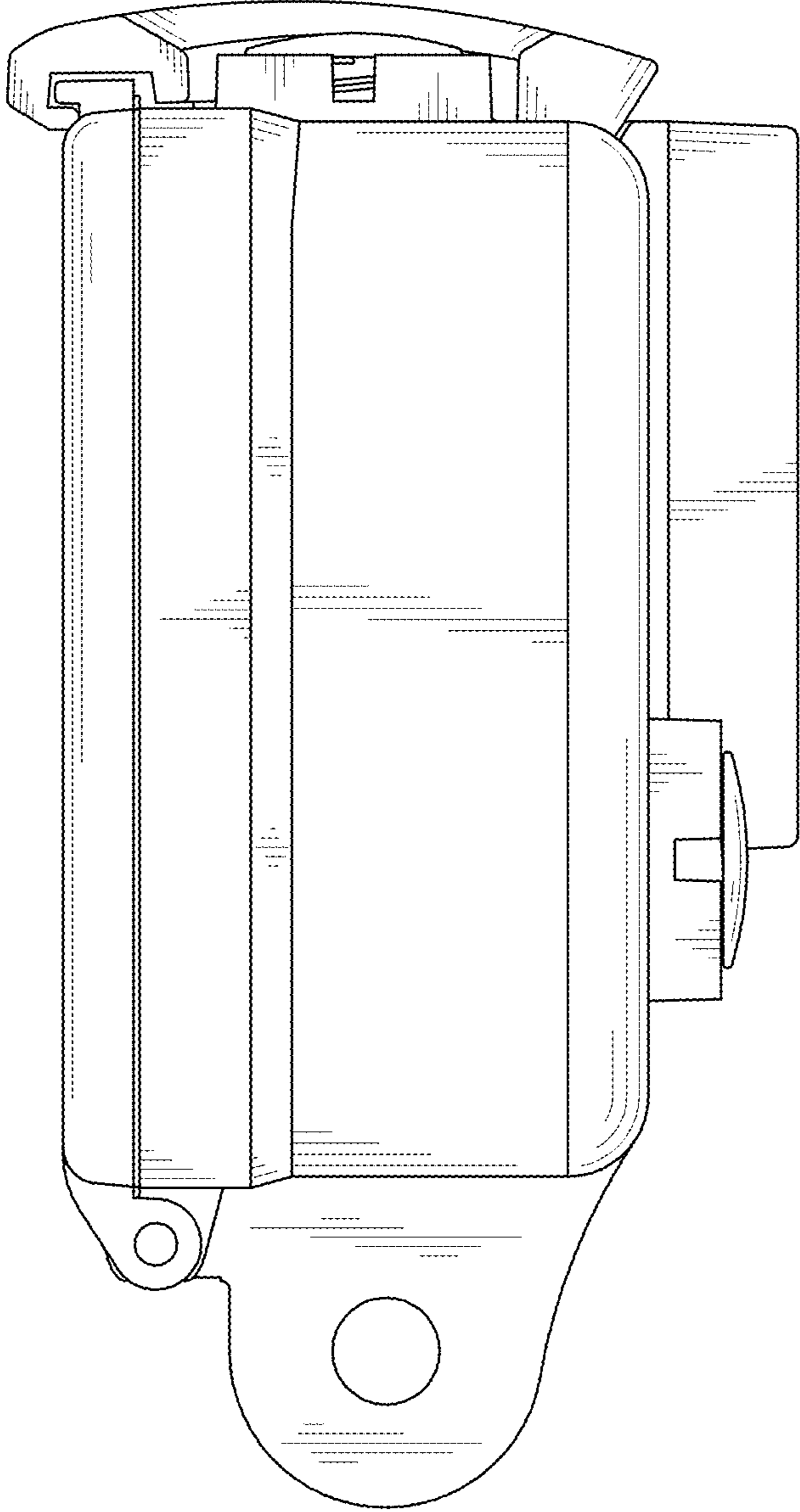


FIG. 4

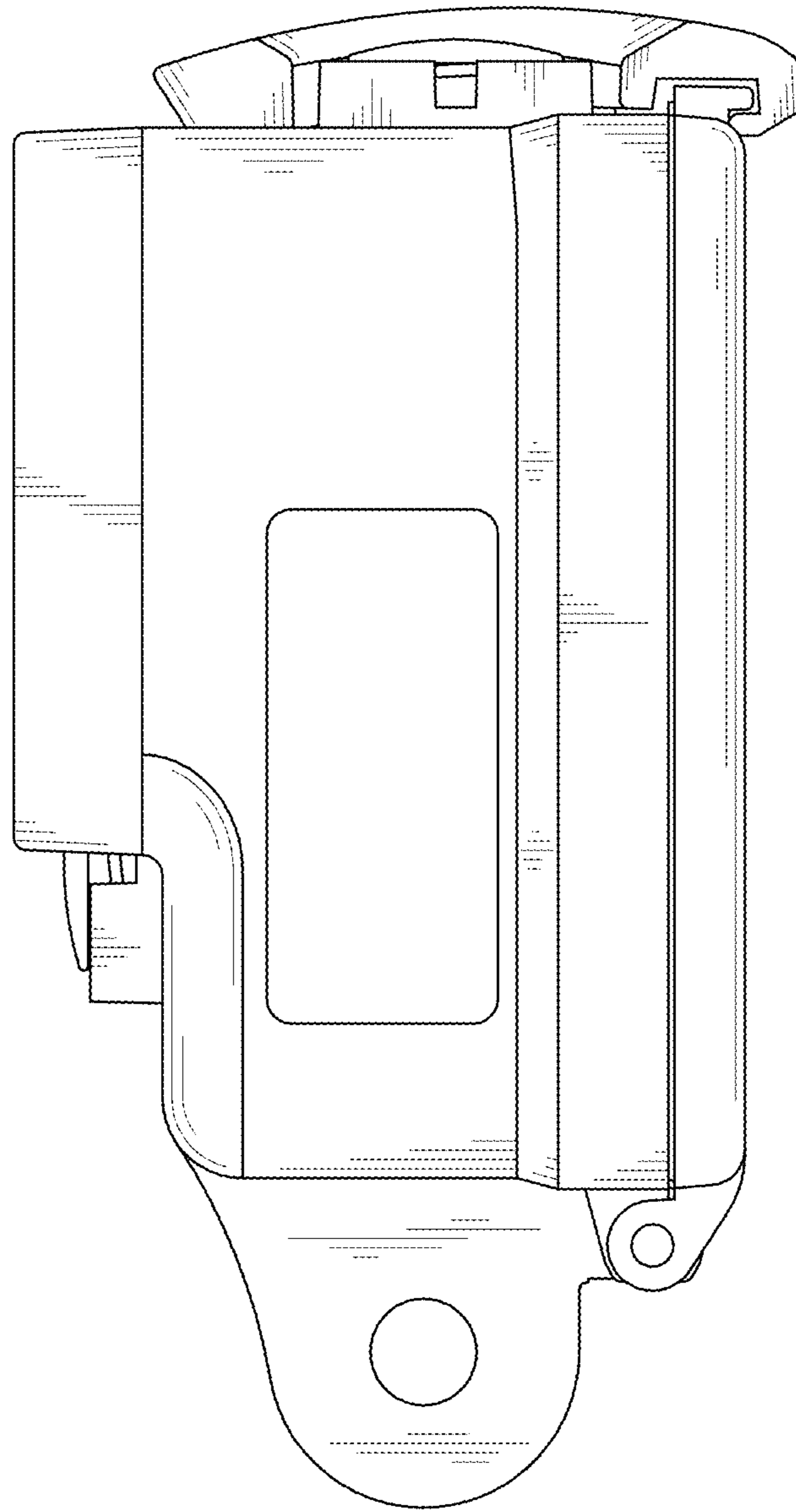


FIG. 5

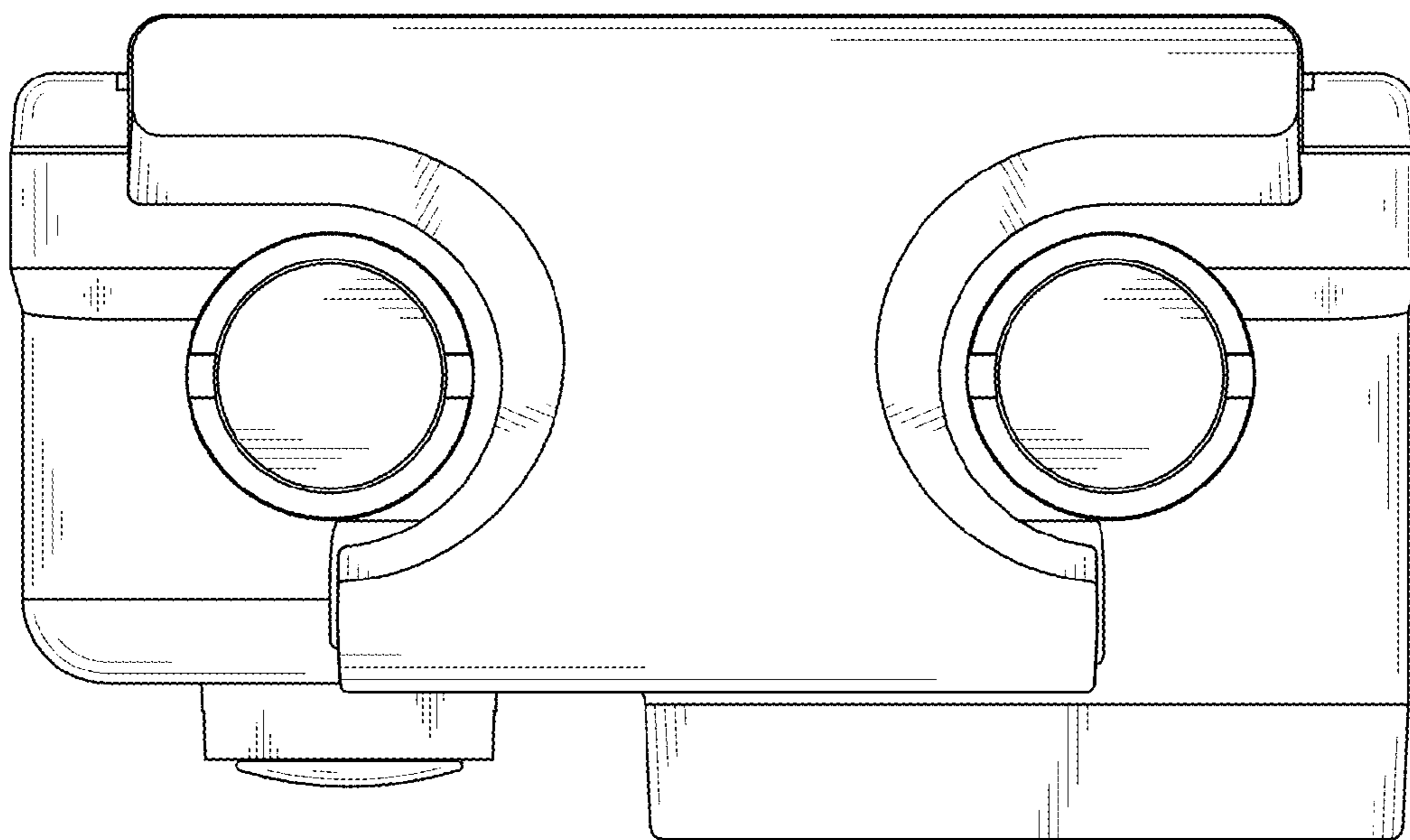


FIG. 6

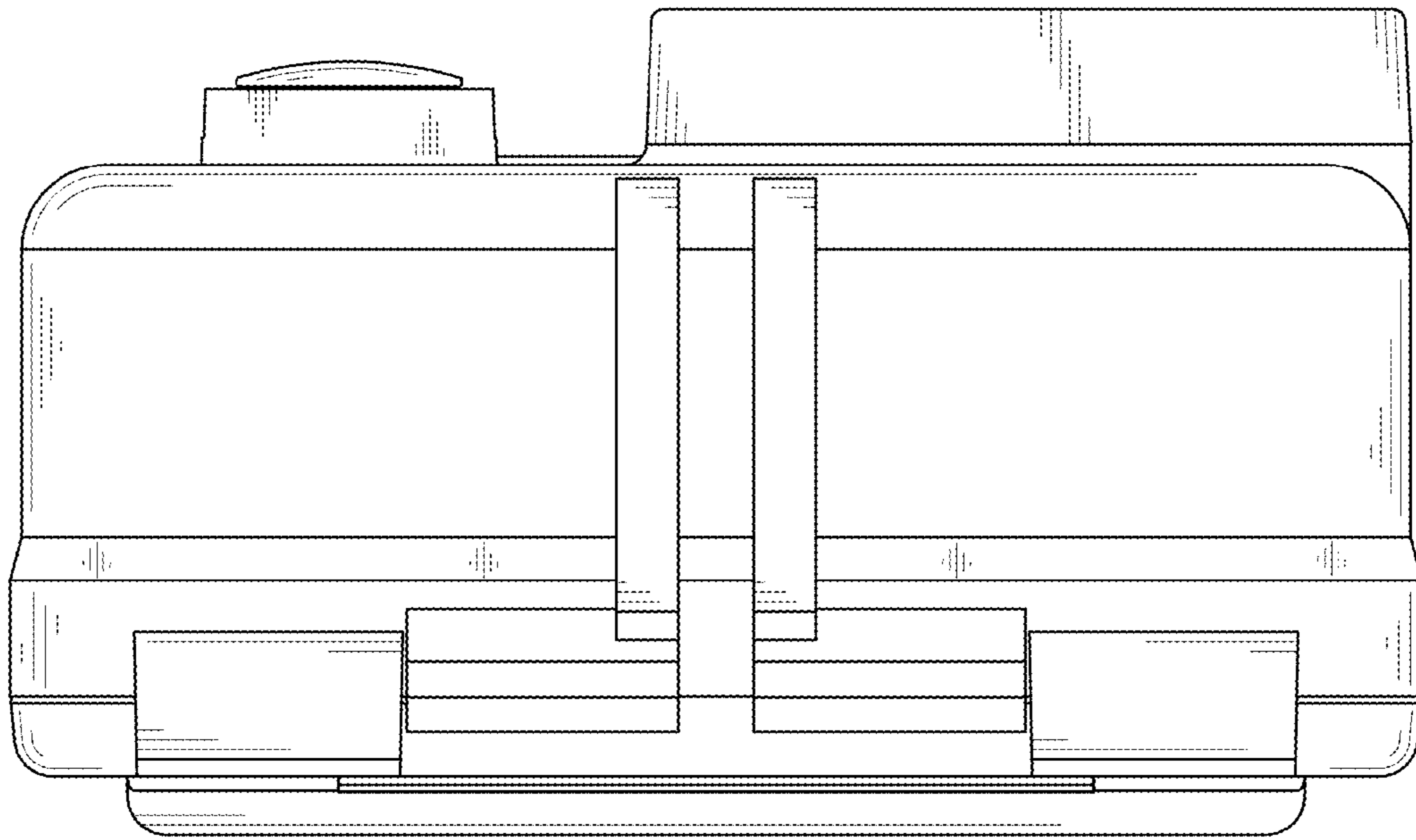


FIG. 7

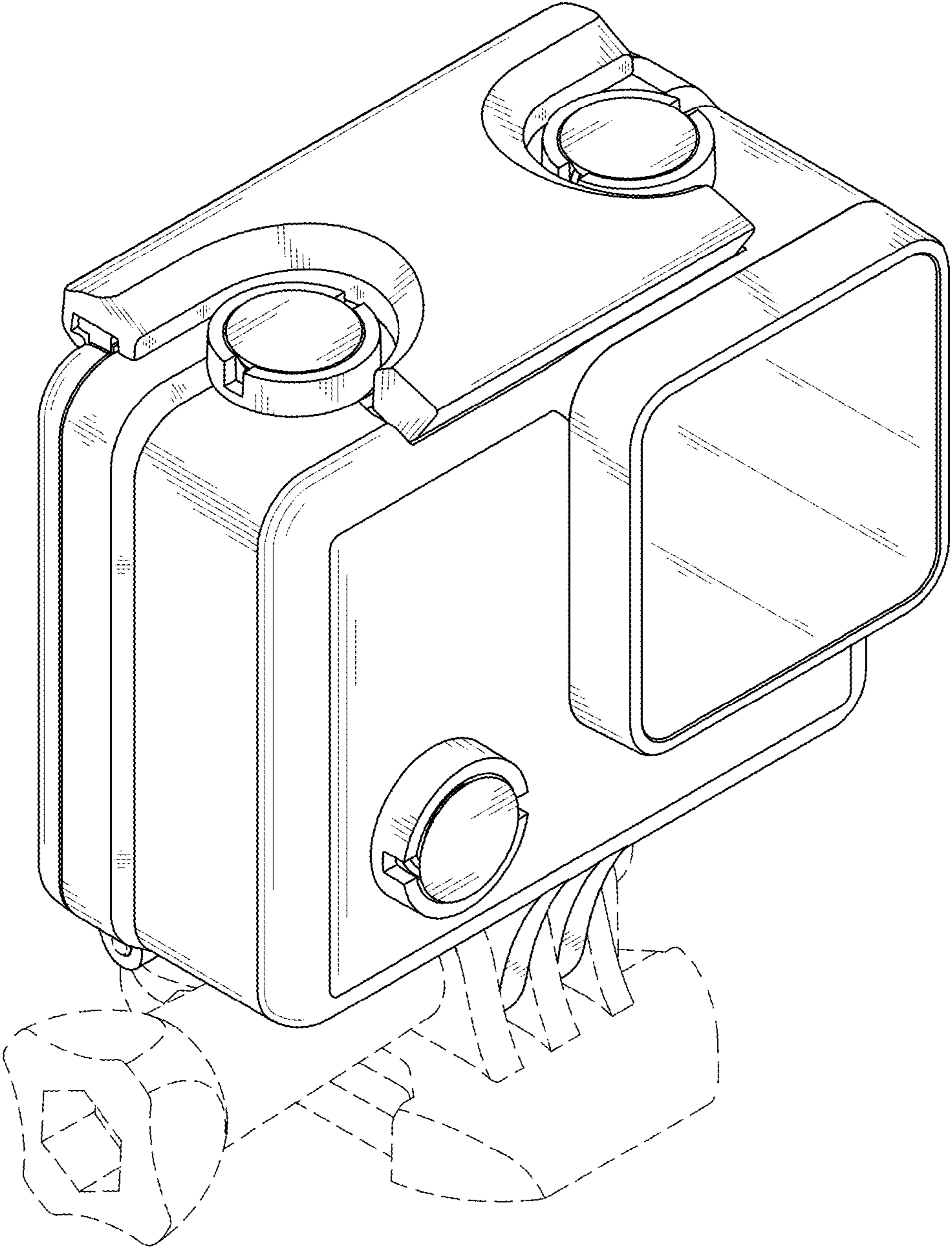


FIG. 8