



US00D750679S

(12) **United States Design Patent**
Habraken

(10) **Patent No.:** **US D750,679 S**
(45) **Date of Patent:** **** Mar. 1, 2016**

- (54) **MAGNIFIER**
- (71) Applicant: **Kikkerland Design, Inc.**, New York, NY (US)
- (72) Inventor: **Jan Habraken**, New York, NY (US)
- (73) Assignee: **Kikkerland Design, Inc.**, New York, NY (US)
- (**) Term: **14 Years**
- (21) Appl. No.: **29/494,266**
- (22) Filed: **Jun. 18, 2014**
- (51) **LOC (10) Cl.** **16-06**
- (52) **U.S. Cl.**
USPC **D16/135**
- (58) **Field of Classification Search**
USPC D6/300, 309; D16/130, 135; D26/37, D26/38, 51; D28/64.1, 64.3; 248/471; 359/798, 802, 803, 805, 808-810
CPC A61B 2019/5219
See application file for complete search history.

D635,171 S *	3/2011	Levine	D16/135
D637,220 S *	5/2011	Levine	D16/135
D637,221 S *	5/2011	Levine	D16/135
D656,172 S *	3/2012	Stubel	D16/135
D662,957 S *	7/2012	Stubel	D16/135
D686,266 S *	7/2013	Baheti	D16/135
D702,745 S *	4/2014	Gresko	D16/135
D702,746 S *	4/2014	Gresko	D16/135
D707,278 S *	6/2014	Tang	D16/135
D707,279 S *	6/2014	Tang	D16/135
2003/0087007 A1 *	5/2003	Summers	A23G 3/50 426/104
2009/0009891 A1 *	1/2009	Chen	G02B 25/02 359/802

(56) **References Cited**

U.S. PATENT DOCUMENTS

D109,322 S *	4/1938	Hummel	D16/135
4,836,596 A *	6/1989	Owen	A61B 17/30 294/99.2
D333,313 S *	2/1993	Hornschu	D16/135
D428,032 S *	7/2000	Lee	D16/135
D440,243 S *	4/2001	Jacquet	D16/135
D452,975 S *	1/2002	Mershon	D16/135
6,903,882 B1 *	6/2005	Cameron	G02B 25/002 353/100
D589,071 S *	3/2009	Jim	D16/135
D635,170 S *	3/2011	van der Lande	D16/135

OTHER PUBLICATIONS

<http://www.kikkerland.com/products/acrylic-magnifier/> Retrieved Dec. 16, 2015.*

* cited by examiner

Primary Examiner — Susan Bennett Hattan

Assistant Examiner — Leanne Was

(74) *Attorney, Agent, or Firm* — Cascio & Zervas

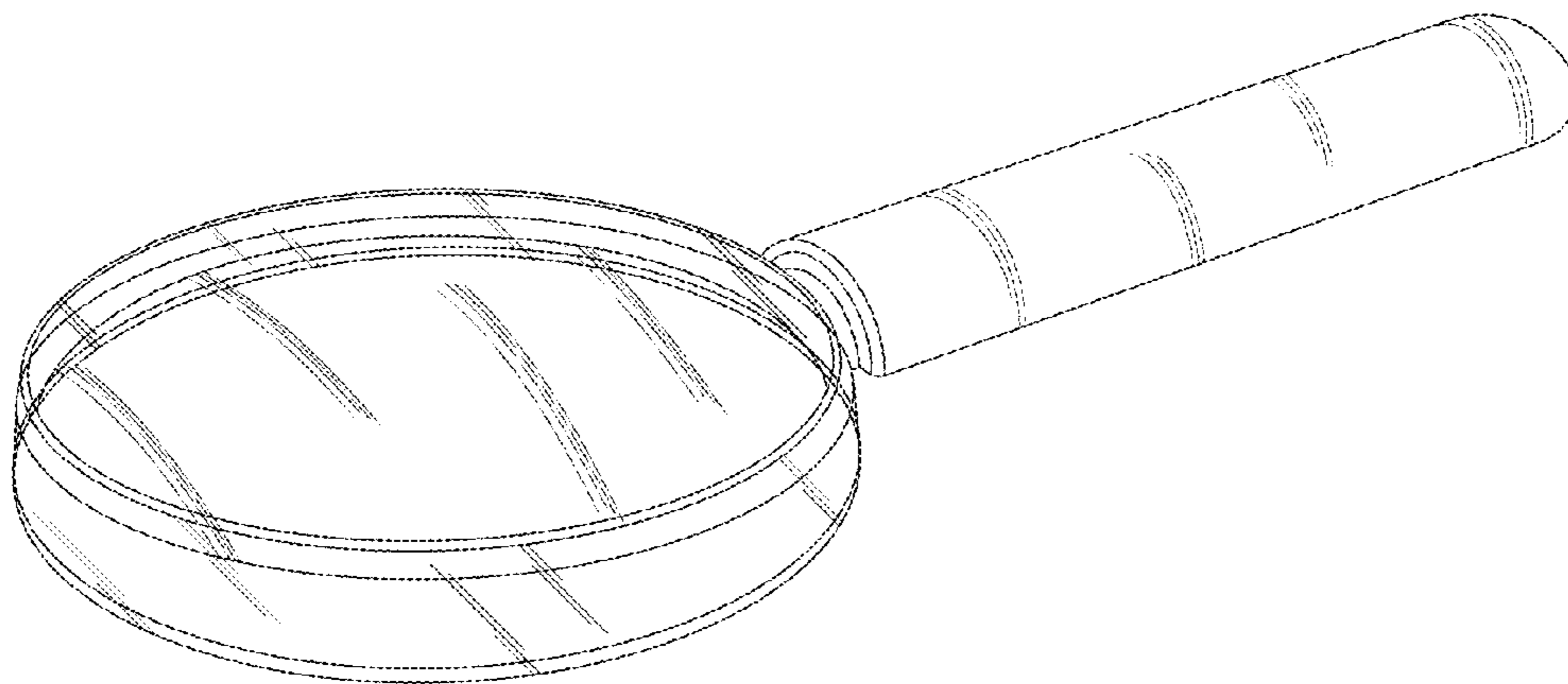
(57) **CLAIM**

The ornamental design for a magnifier, as shown and described.

DESCRIPTION

FIG. 1 is a top plan view of a magnifier showing my design; FIG. 2 is a bottom plan view thereof; FIG. 3 is a front elevational view thereof; FIG. 4 is a rear elevational view thereof; FIG. 5 is a left side elevational view thereof; FIG. 6 is a right side elevational view thereof; and, FIG. 7 is a front perspective view thereof.

1 Claim, 2 Drawing Sheets



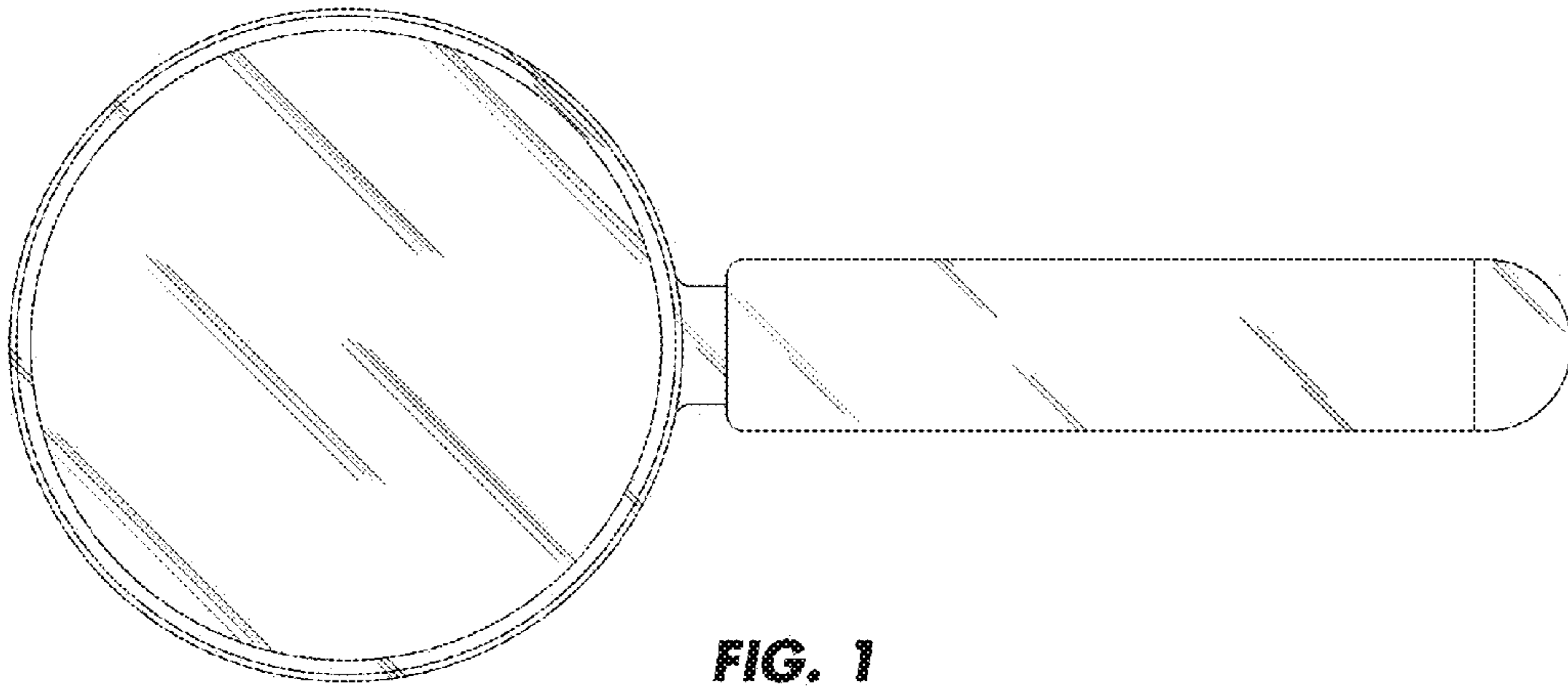


FIG. 1

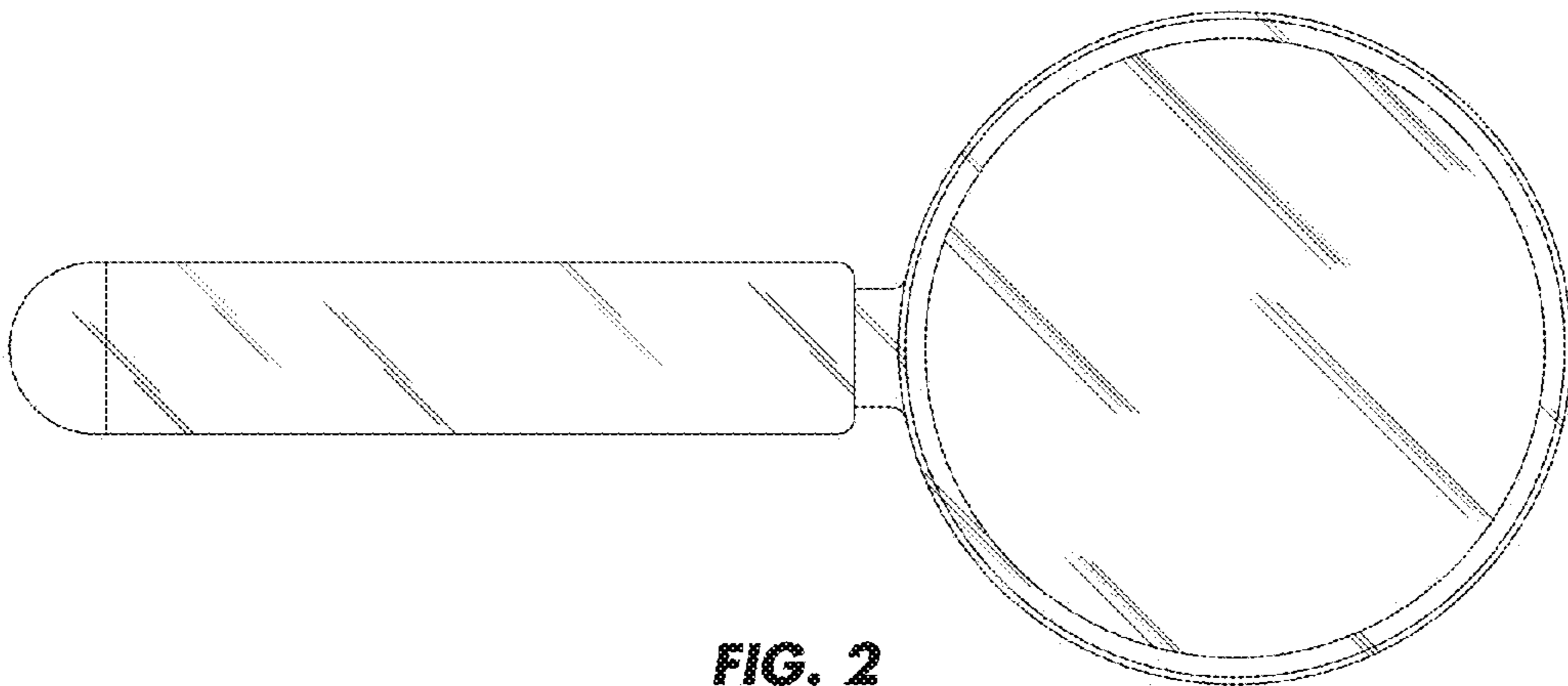


FIG. 2

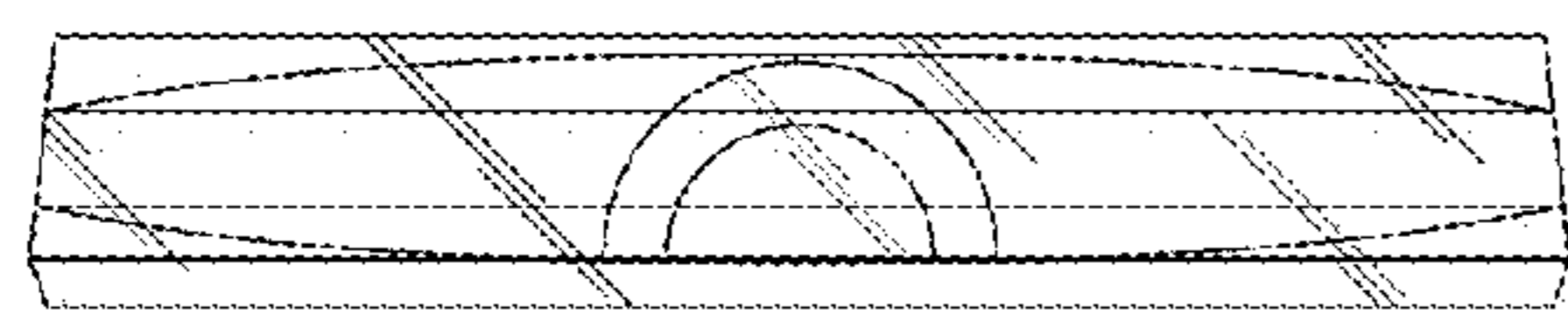


FIG. 3

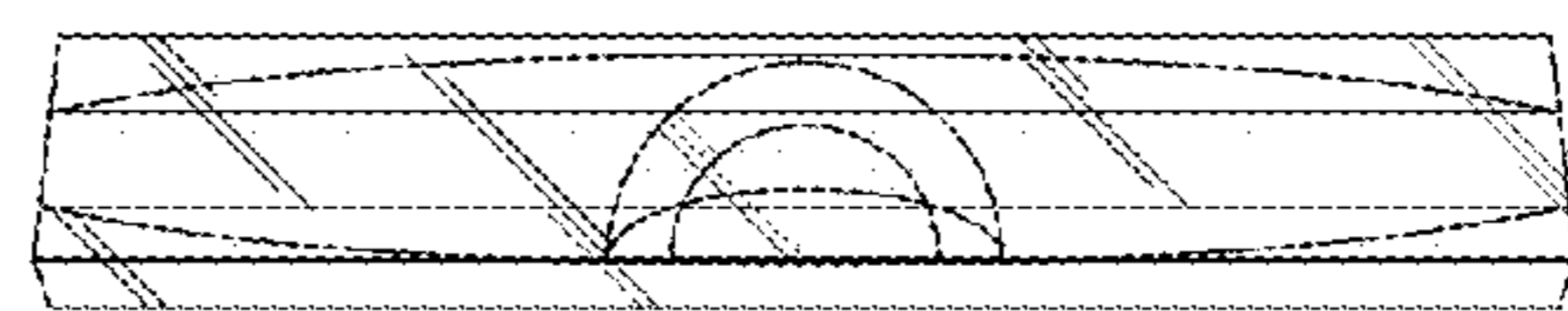


FIG. 4

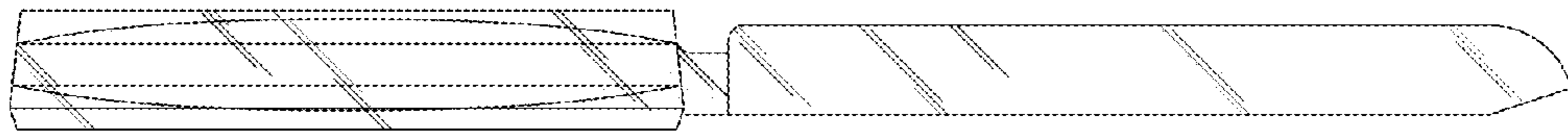


FIG. 5

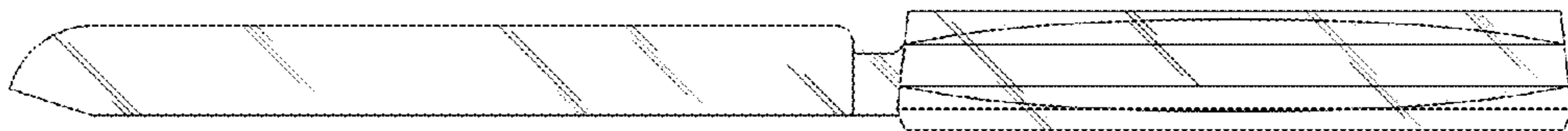


FIG. 6

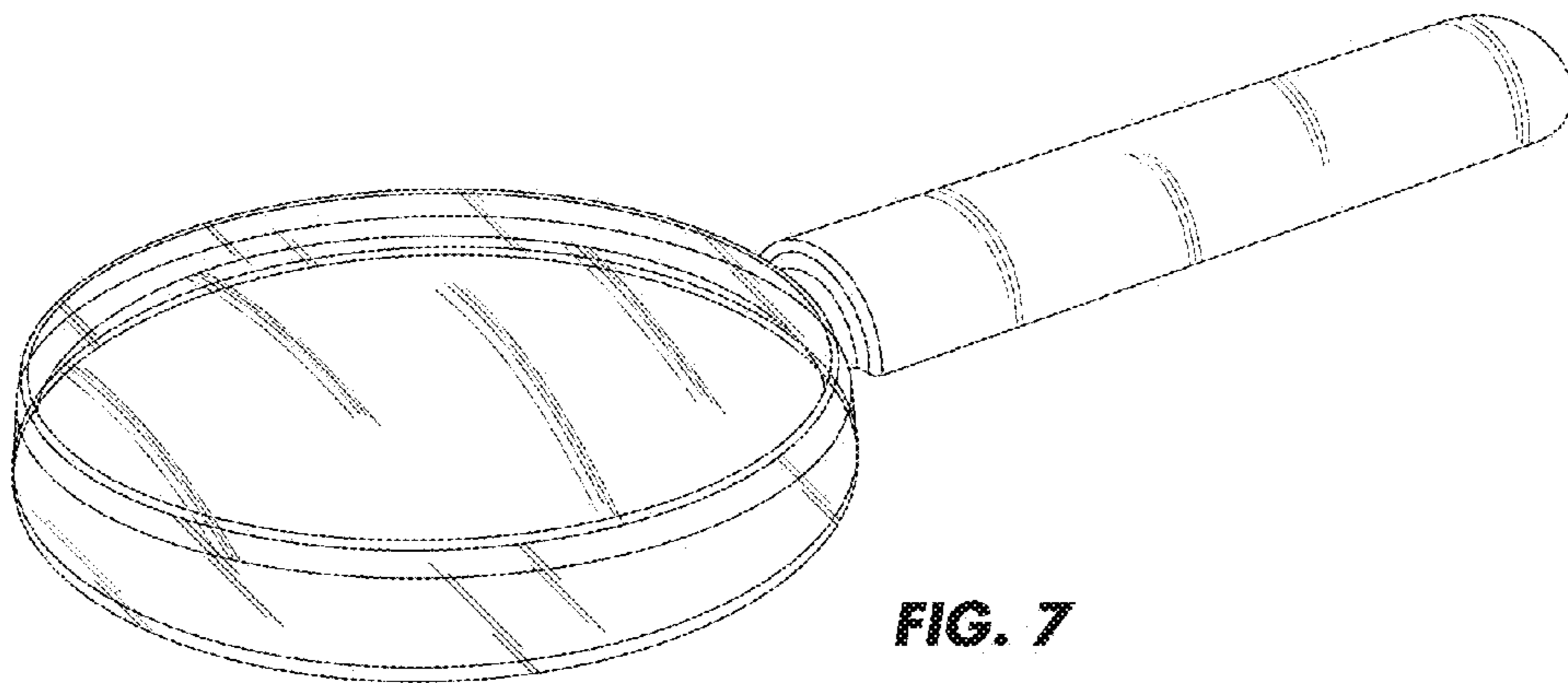


FIG. 7