



US00D750678S

(12) **United States Design Patent**
Baumann et al.

(10) **Patent No.:** **US D750,678 S**
(45) **Date of Patent:** **** Mar. 1, 2016**

(54) **NOZZLE FOR A ROTARY ATOMIZER FOR A PAINTING ROBOT**

(71) Applicant: **Durr Systems GmbH**,
Bietigheim-Bissingen (DE)
(72) Inventors: **Michael Baumann**, Flein (DE); **Sonja Brauchle**, Ludwigsburg (DE); **Thomas Buck**, Sachsenheim (DE); **Frank Herre**, Oberriexingen (DE); **Georg M. Sommer**, Ludwigsburg (DE); **Sandra Streckert**, Aspach (DE); **Andreas Fischer**, Ludwigsburg (DE); **Peter Marquardt**, Kleinbottwar (DE)

(73) Assignee: **Durr Systems GmbH**,
Bietigheim-Bissingen (DE)

(**) Term: **14 Years**

(21) Appl. No.: **29/508,493**

(22) Filed: **Nov. 6, 2014**

(30) **Foreign Application Priority Data**

May 7, 2014 (EP) 002459115-0003

(51) **LOC (10) Cl.** **15-99**

(52) **U.S. Cl.**
USPC **D15/199**

(58) **Field of Classification Search**
USPC D23/213; D15/199; 239/399, 405,
239/DIG. 14; 74/490.01, 490.06; 118/300
See application file for complete search history.

(56) **References Cited**

U.S. PATENT DOCUMENTS

2,362,634	A *	11/1944	Houghton	B05B 7/1606 239/133
D285,596	S *	9/1986	Gimple	D23/213
D396,523	S *	7/1998	Adams	D23/213
D588,231	S *	3/2009	Pellin	D23/213
D636,843	S *	4/2011	Nolte	D23/213
D643,510	S *	8/2011	Nolte	D23/213
8,051,796	B2 *	11/2011	Clifford	B05B 5/1625 118/323
8,662,416	B2 *	3/2014	Kuroda	B05B 3/1064 239/214.11
8,875,593	B2 *	11/2014	Collmer	B25J 19/0029 118/323

* cited by examiner

Primary Examiner — Robin V Webster

(74) *Attorney, Agent, or Firm* — Bejin Bieneman PLC

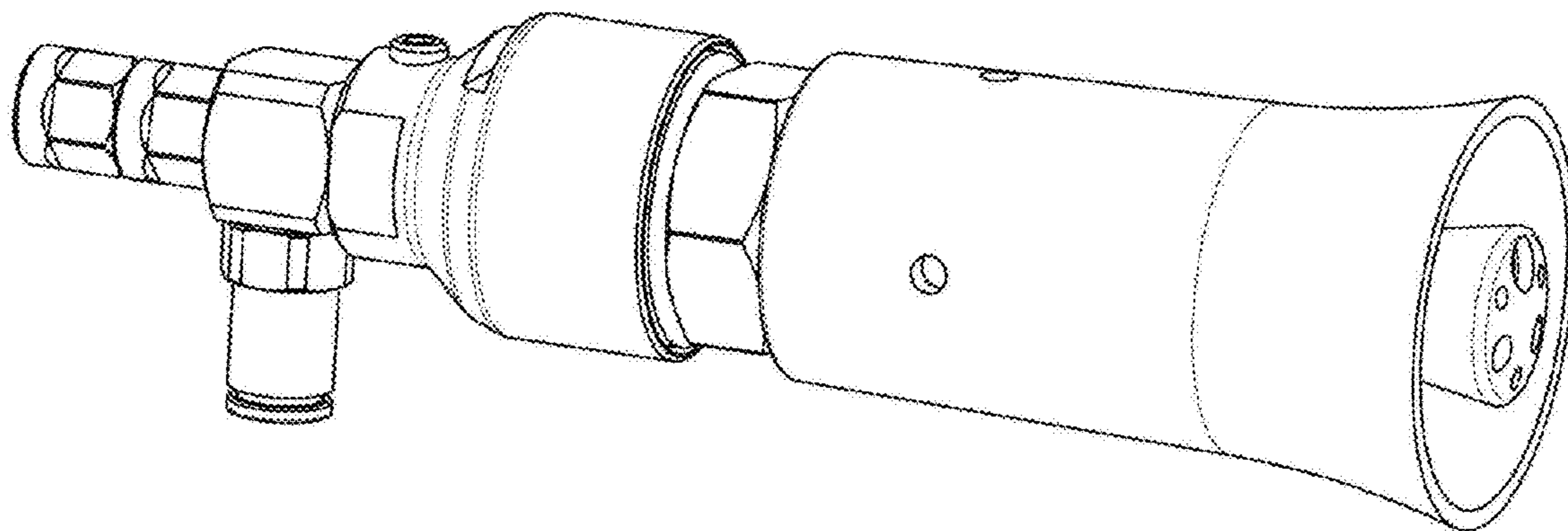
(57) **CLAIM**

The ornamental design for a nozzle for a rotary atomizer for a painting robot, as shown and described.

DESCRIPTION

FIG. 1 is a front view of a nozzle for a rotary atomizer for a painting robot;
FIG. 2 is a left side view of the nozzle;
FIG. 3 is a right side view of the nozzle;
FIG. 4 is rear view of the nozzle;
FIG. 5 is top view of the nozzle;
FIG. 6 is a bottom view of the nozzle; and,
FIG. 7 is a perspective view of the nozzle.

1 Claim, 5 Drawing Sheets



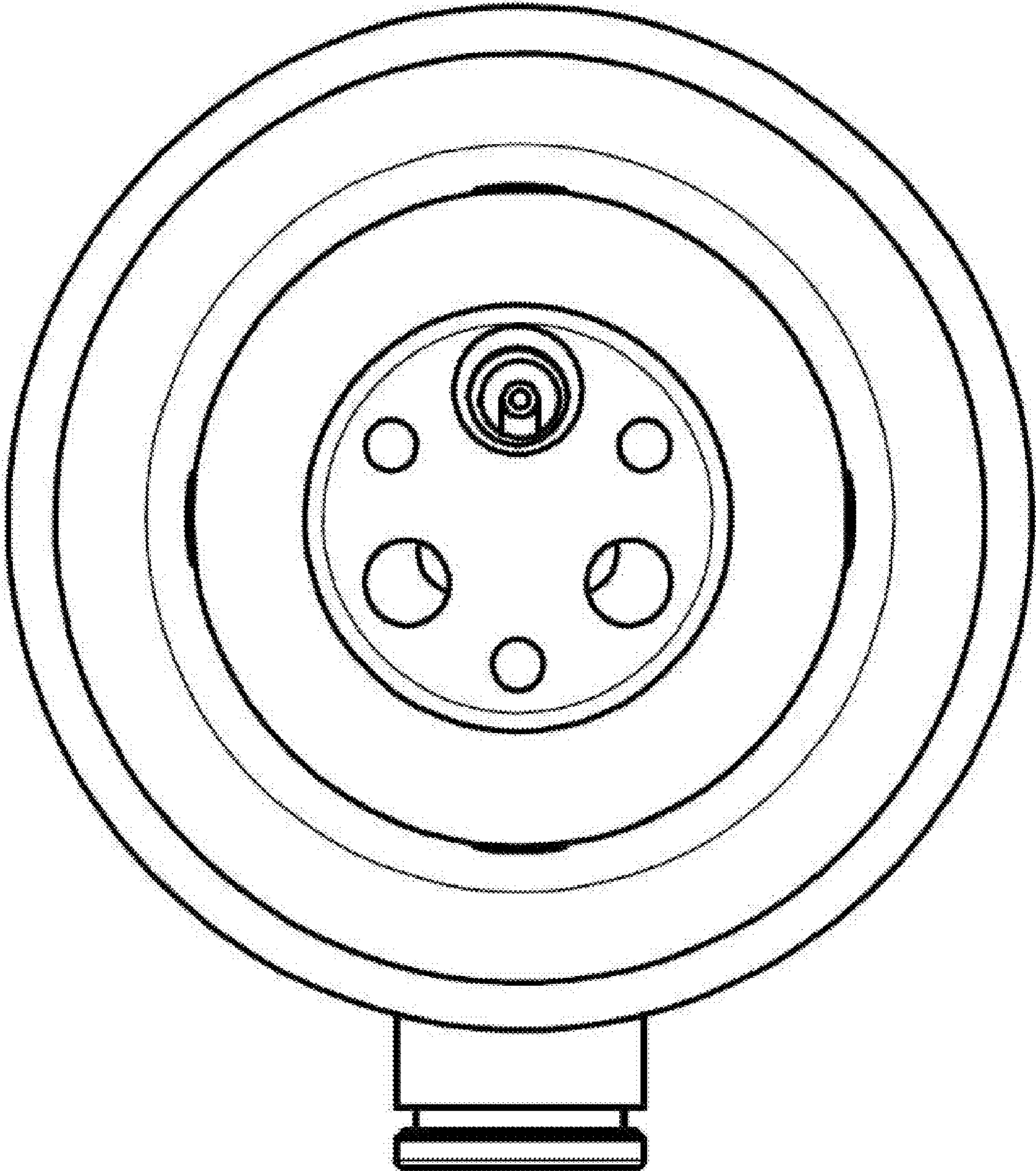


FIG 1

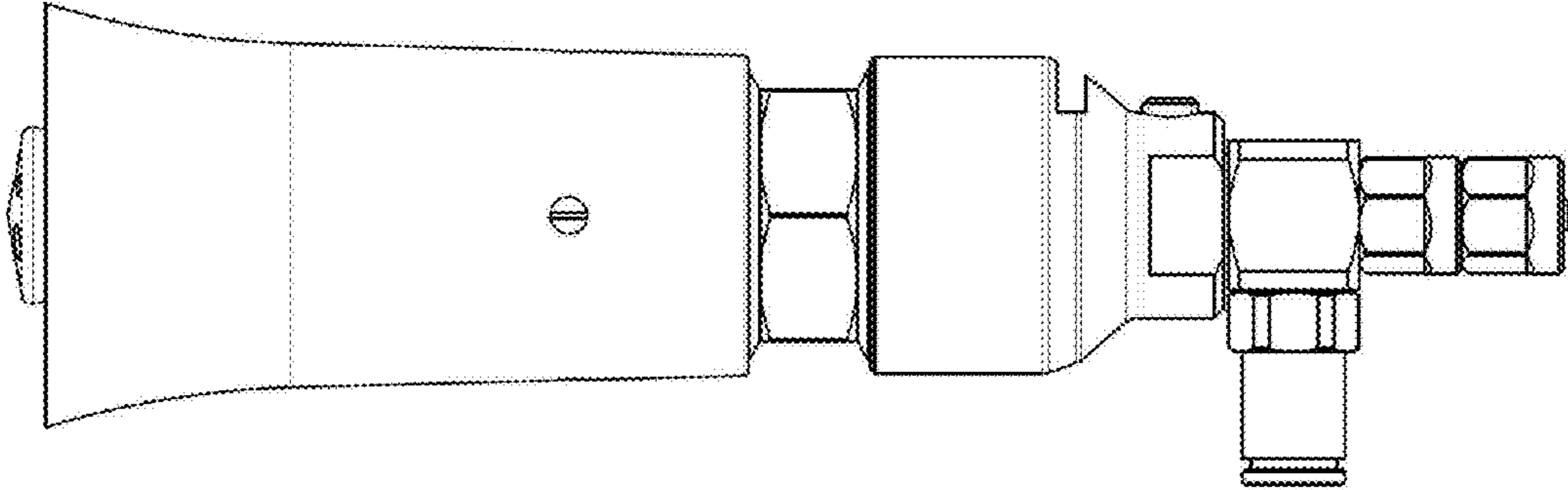


FIG 2

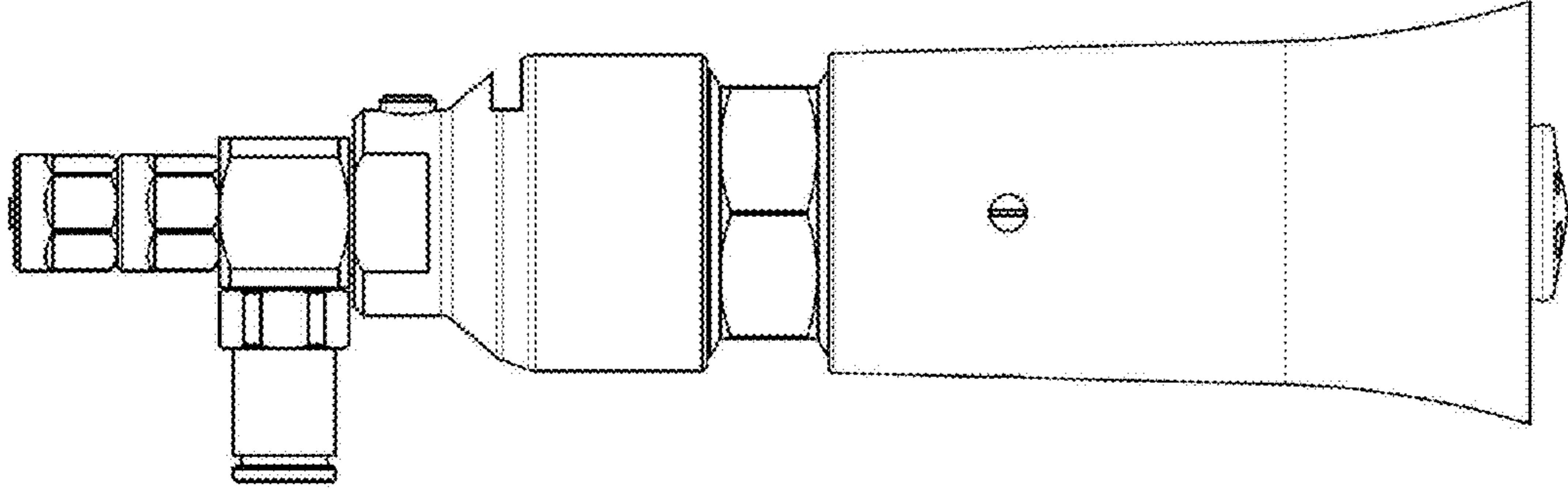


FIG 3

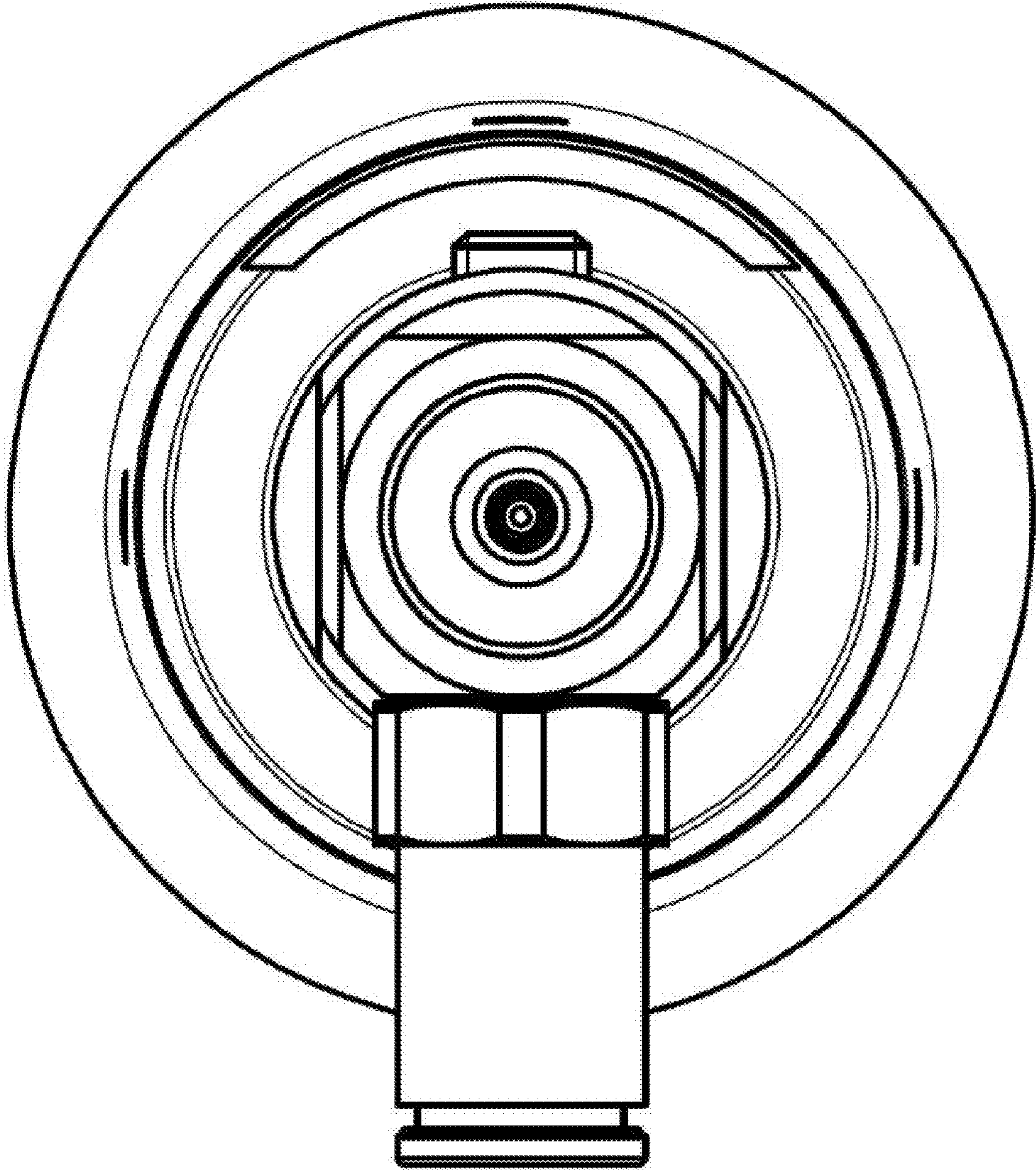


FIG 4

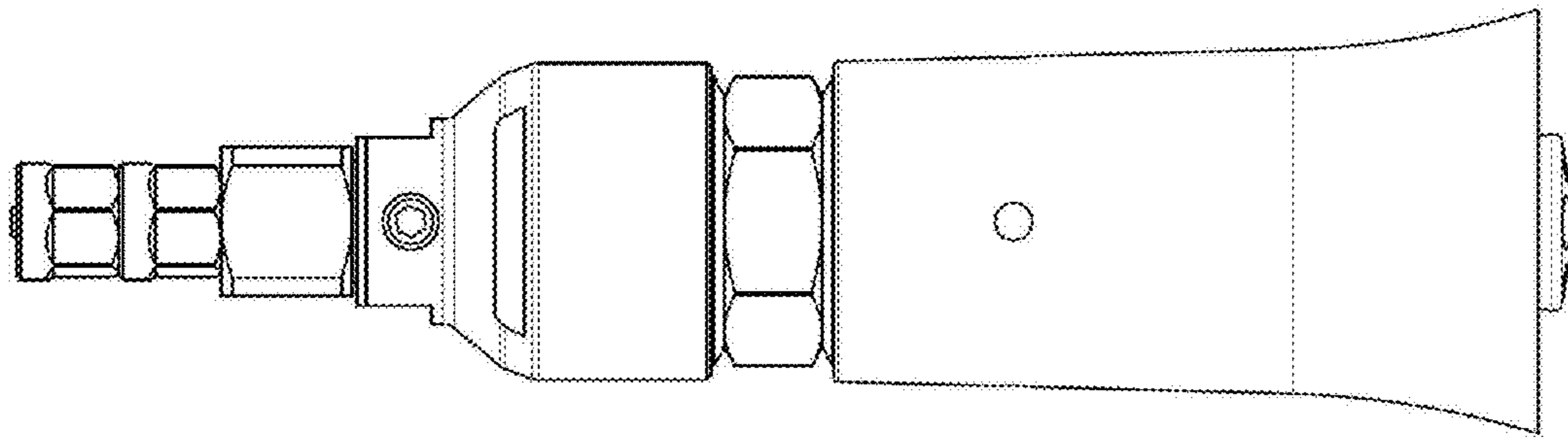


FIG 5

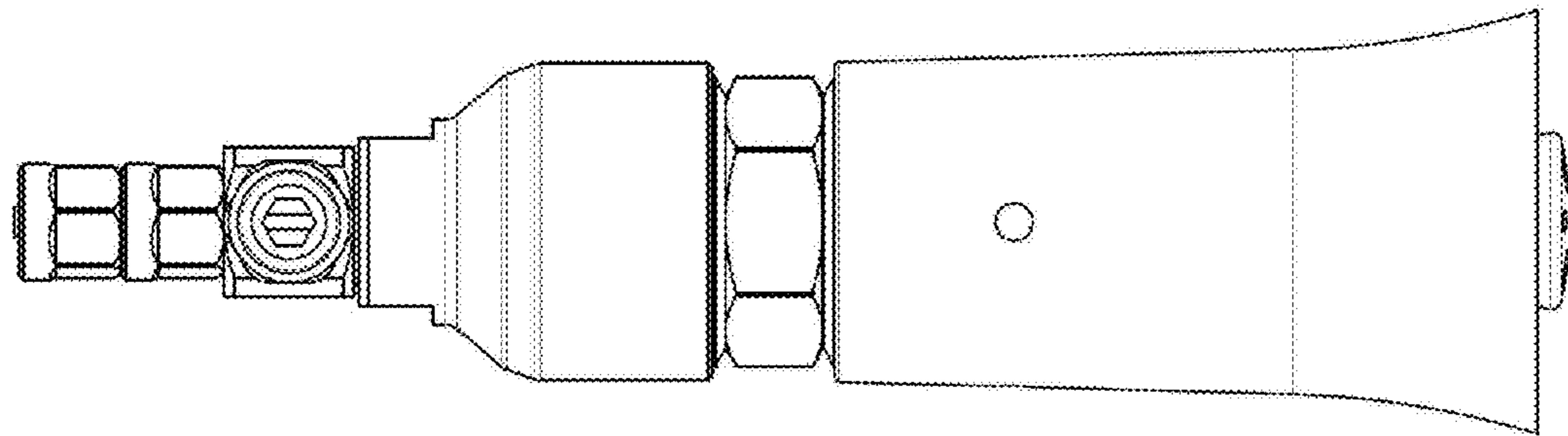


FIG 6

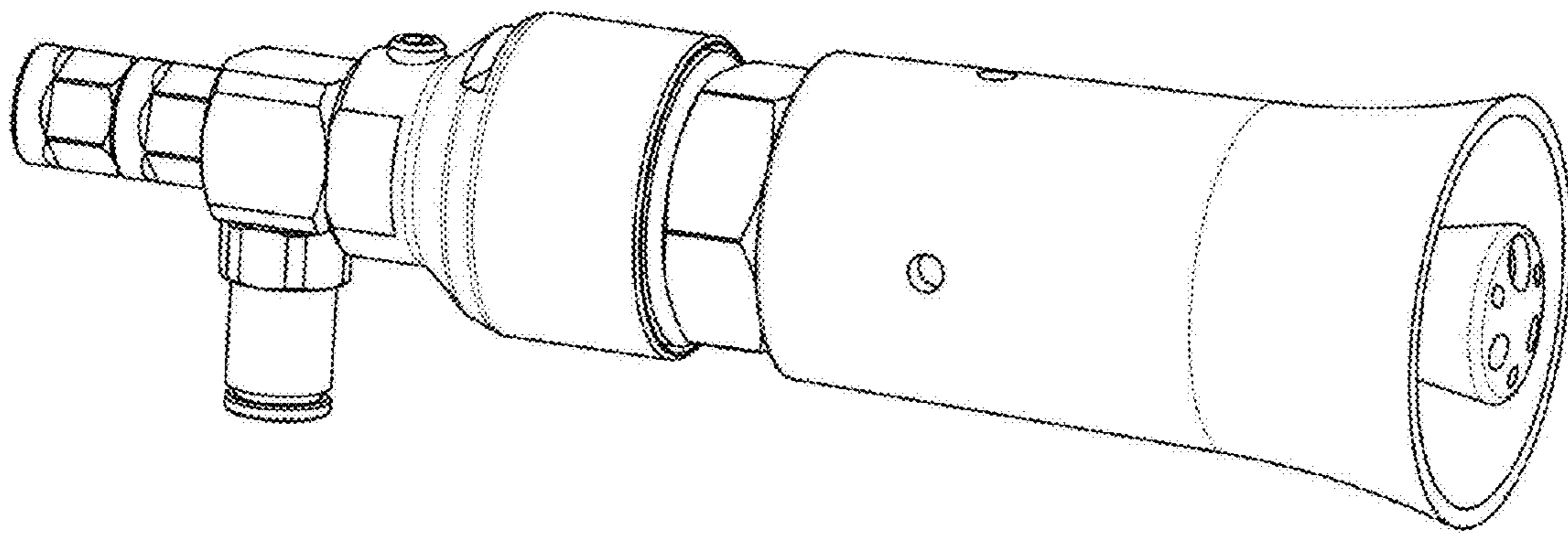


FIG 7