



US00D750676S

(12) **United States Design Patent**
Brown

(10) **Patent No.:** **US D750,676 S**
(45) **Date of Patent:** **** Mar. 1, 2016**

- (54) **SPROCKET TOOTH**
- (71) Applicant: **E.F. Bavis & Associates, Inc.**,
Maineville, OH (US)
- (72) Inventor: **Michael Elton Brown**, Morrow, OH
(US)
- (73) Assignee: **E. F. Bavis & Associates, Inc.**,
Maineville, OH (US)
- (**) Term: **14 Years**
- (21) Appl. No.: **29/466,295**
- (22) Filed: **Sep. 6, 2013**
- (51) **LOC (10) Cl.** **15-99**
- (52) **U.S. Cl.**
USPC **D15/148**
- (58) **Field of Classification Search**
USPC D15/143, 148
See application file for complete search history.

| | | | | | | |
|-----------|------|---------|-----------|-------|-------------|---------|
| 7,059,985 | B2 * | 6/2006 | Markley | | F16H 55/30 | 305/137 |
| | | | | | | 474/206 |
| 7,635,314 | B2 * | 12/2009 | Kubo | | F16H 7/06 | |
| | | | | | | 474/152 |
| 8,202,185 | B2 * | 6/2012 | Haesloop | | F16H 55/30 | |
| | | | | | | 474/156 |
| 8,246,498 | B2 * | 8/2012 | Sakura | | F16G 13/04 | |
| | | | | | | 474/212 |
| 8,470,452 | B2 * | 6/2013 | Chaney | | C25D 7/10 | |
| | | | | | | 205/323 |
| 8,555,504 | B1 * | 10/2013 | Hodjat | | B23P 15/14 | |
| | | | | | | 29/451 |
| 8,708,432 | B2 * | 4/2014 | Pard | | B62D 55/125 | |
| | | | | | | 305/174 |
| 8,979,688 | B2 * | 3/2015 | Morishige | | F16H 55/30 | |
| | | | | | | 474/152 |
| 9,061,829 | B2 * | 6/2015 | Salsone | | B65G 15/30 | |

* cited by examiner

Primary Examiner — Patricia Palasik
(74) *Attorney, Agent, or Firm* — Dinsmore & Shohl LLP

(57) **CLAIM**
The ornamental design for a sprocket tooth, as shown and described.

(56) **References Cited**

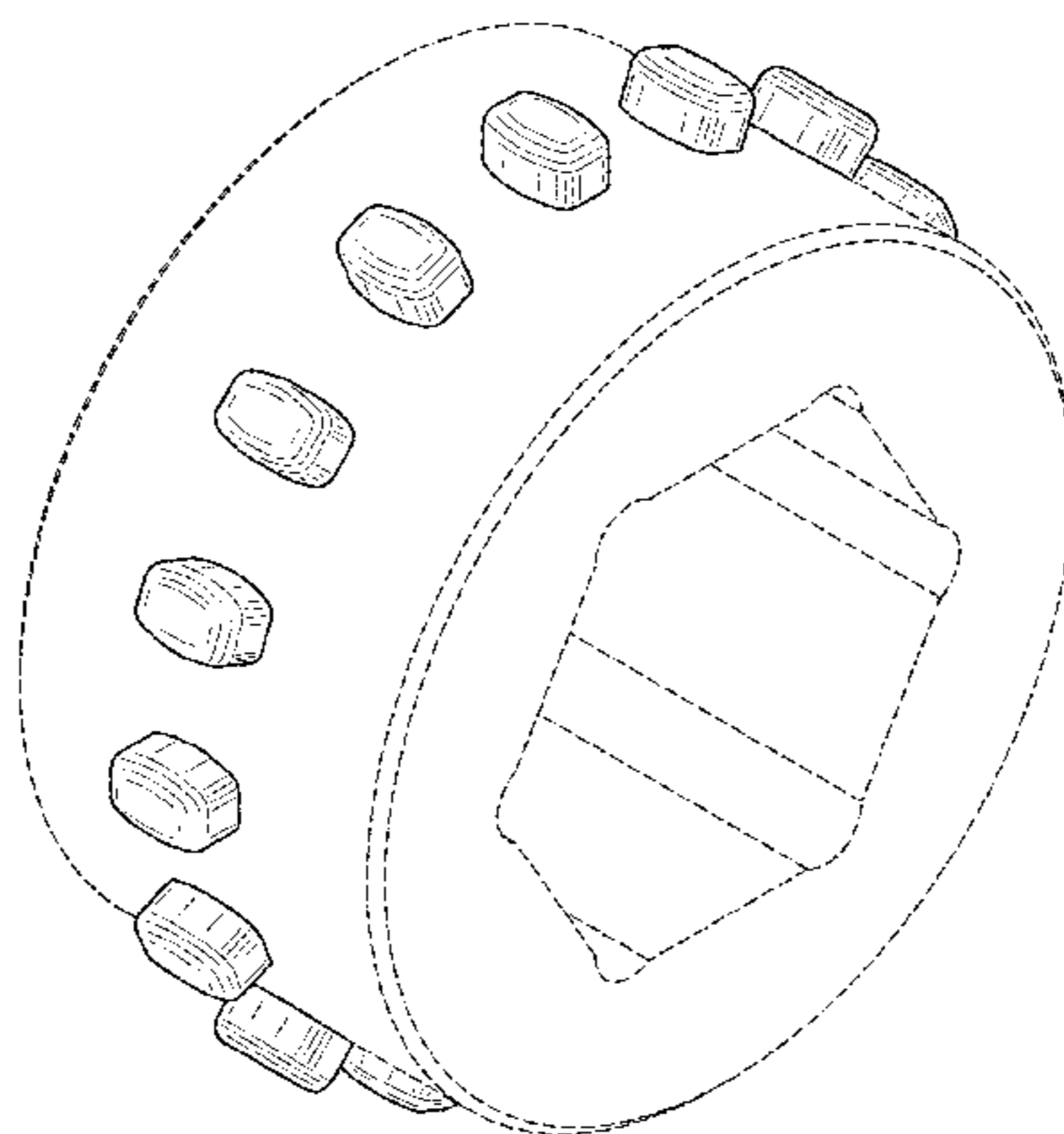
U.S. PATENT DOCUMENTS

| | | | | | | |
|-----------|------|---------|------------|-------|------------|---------|
| 3,968,995 | A * | 7/1976 | Arentzen | | E21C 25/22 | |
| | | | | | | 175/89 |
| 4,147,069 | A * | 4/1979 | Derner | | F16G 1/28 | |
| | | | | | | 474/204 |
| 4,807,742 | A * | 2/1989 | Templin | | B65G 19/22 | |
| | | | | | | 198/730 |
| 4,838,843 | A * | 6/1989 | Westhoff | | B29D 29/08 | |
| | | | | | | 474/205 |
| 4,865,183 | A * | 9/1989 | Hodlewsky | | B65G 23/06 | |
| | | | | | | 198/834 |
| 5,312,304 | A * | 5/1994 | Vetter | | G03B 1/24 | |
| | | | | | | 226/79 |
| 5,437,582 | A * | 8/1995 | Romano | | B62M 9/10 | |
| | | | | | | 474/156 |
| 6,146,299 | A * | 11/2000 | Harvey | | F16H 55/12 | |
| | | | | | | 474/95 |
| 6,516,944 | B2 * | 2/2003 | Guldenfels | | B65G 17/08 | |
| | | | | | | 198/850 |
| 6,648,784 | B2 * | 11/2003 | Redmond | | F16H 7/023 | |
| | | | | | | 474/153 |
| 6,899,651 | B2 * | 5/2005 | Oertley | | F16H 55/12 | |

DESCRIPTION

FIG. 1 is a top left perspective view of a sprocket tooth illustrating my new design, the top right perspective view being a mirror image;
 FIG. 2 is a front elevational view thereof, the rear elevational view being a mirror image;
 FIG. 3 is a top planar view thereof, the bottom planar view being a mirror image;
 FIG. 4 is an enlarged fragmentary top planar view thereof showing a portion of the sprocket tooth indicated by the dashed line circle 4 in FIG. 3; and,
 FIG. 5 is an enlarged fragmentary front elevational view thereof showing a portion of the sprocket tooth indicated by the dashed line circle 5 in FIG. 2.
 The broken lines shown in FIGS. 1-5 are included for the purpose of illustrating environmental structure and forms no part of the claimed design.

1 Claim, 3 Drawing Sheets



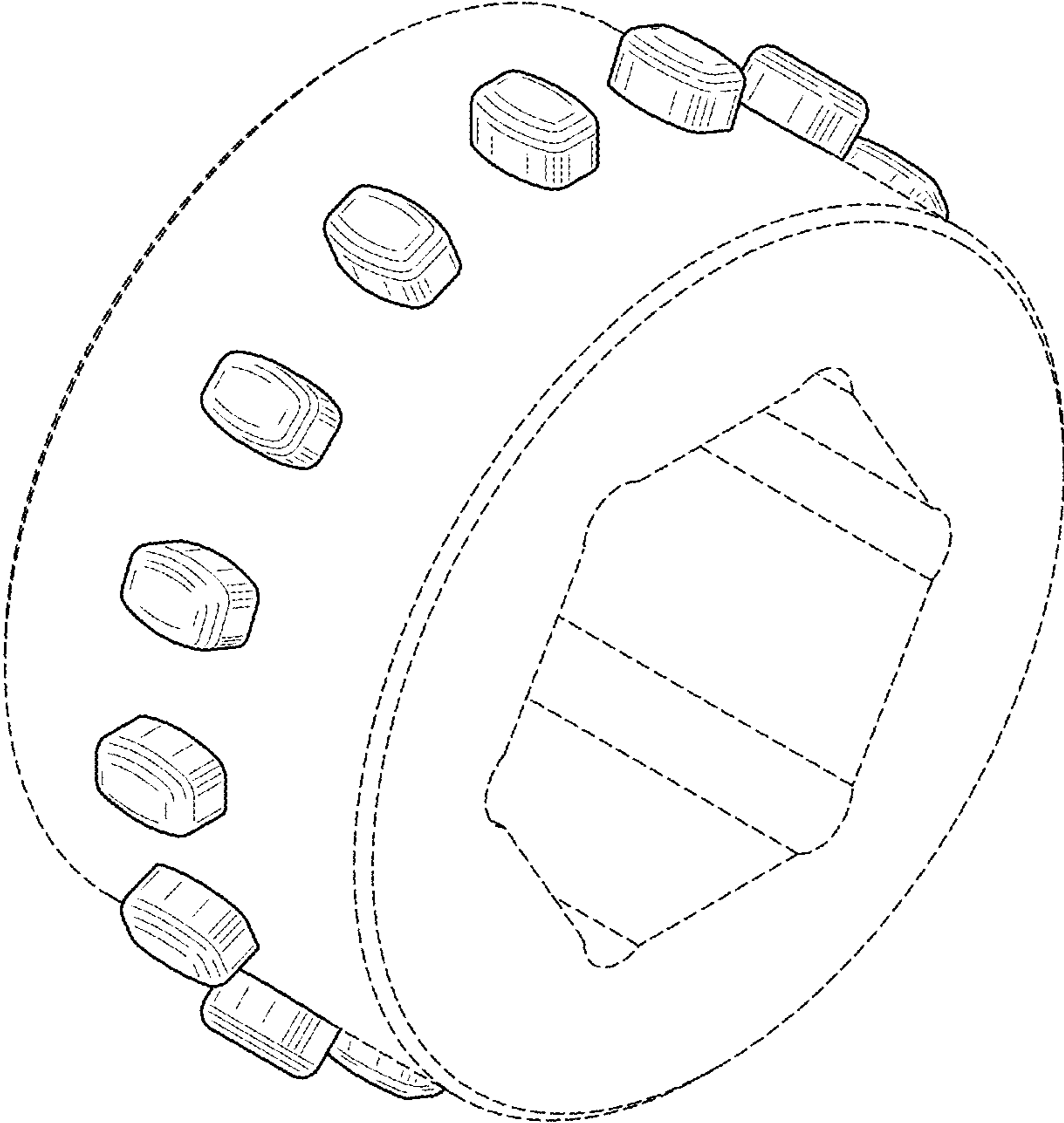


FIG. 1

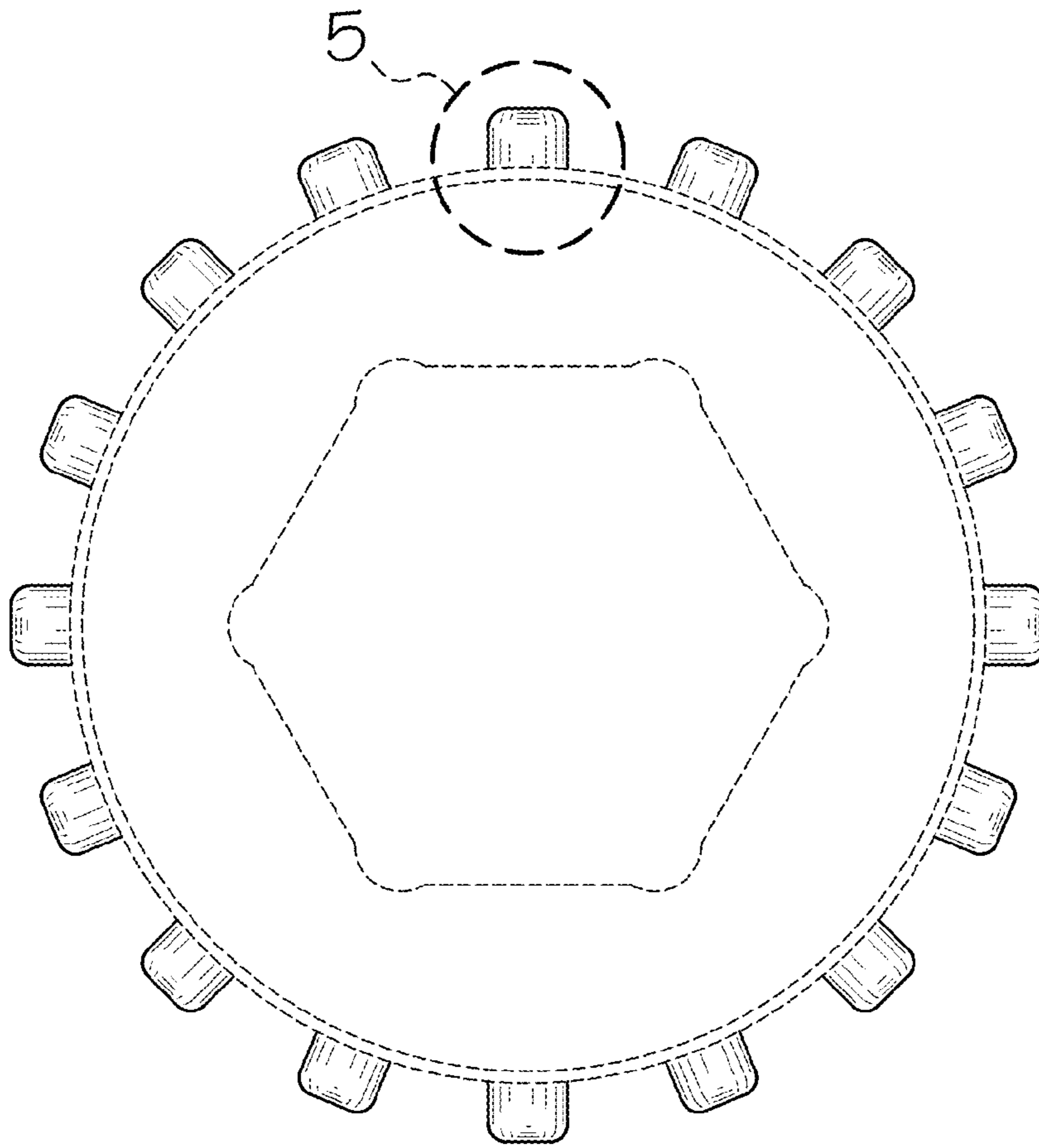


FIG. 2

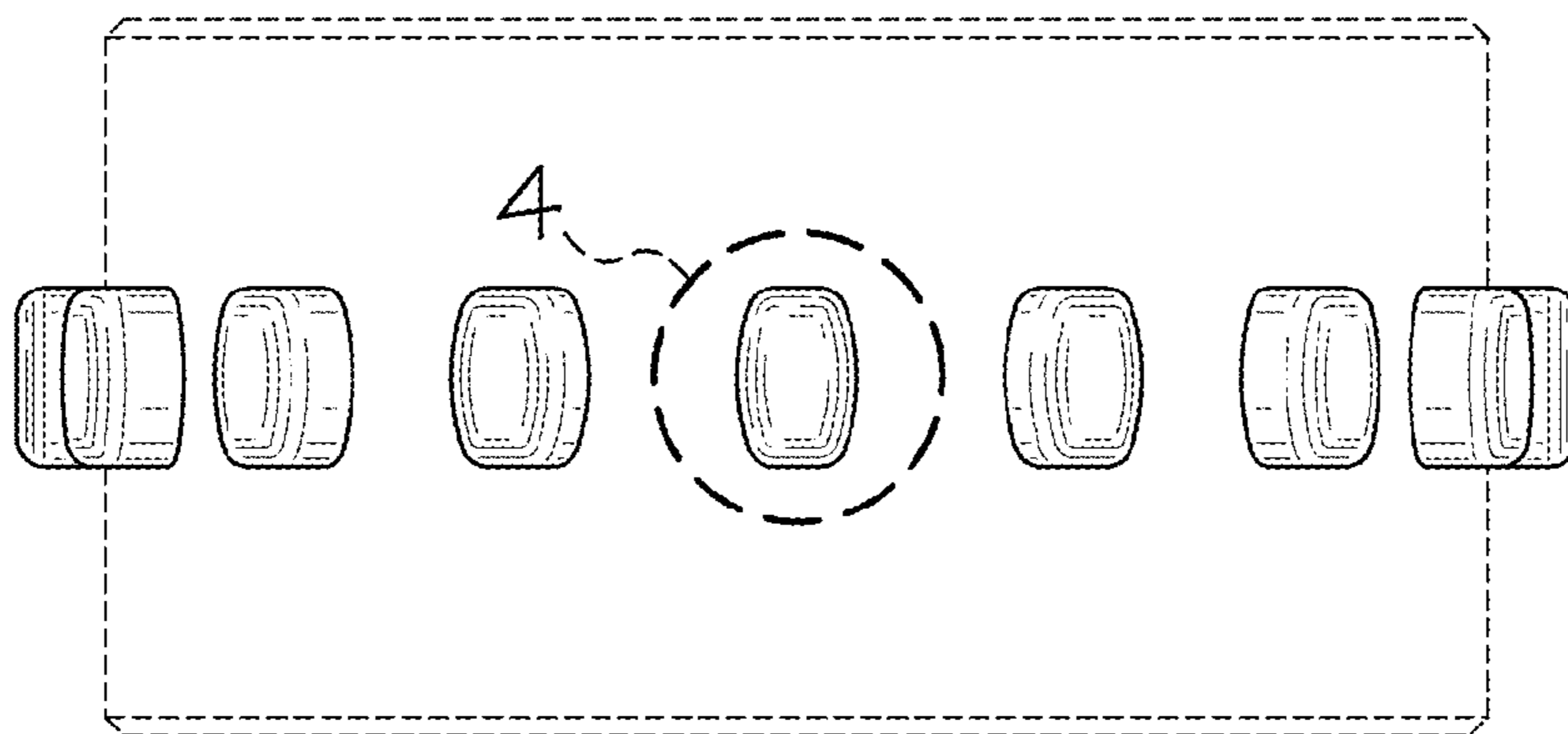


FIG. 3

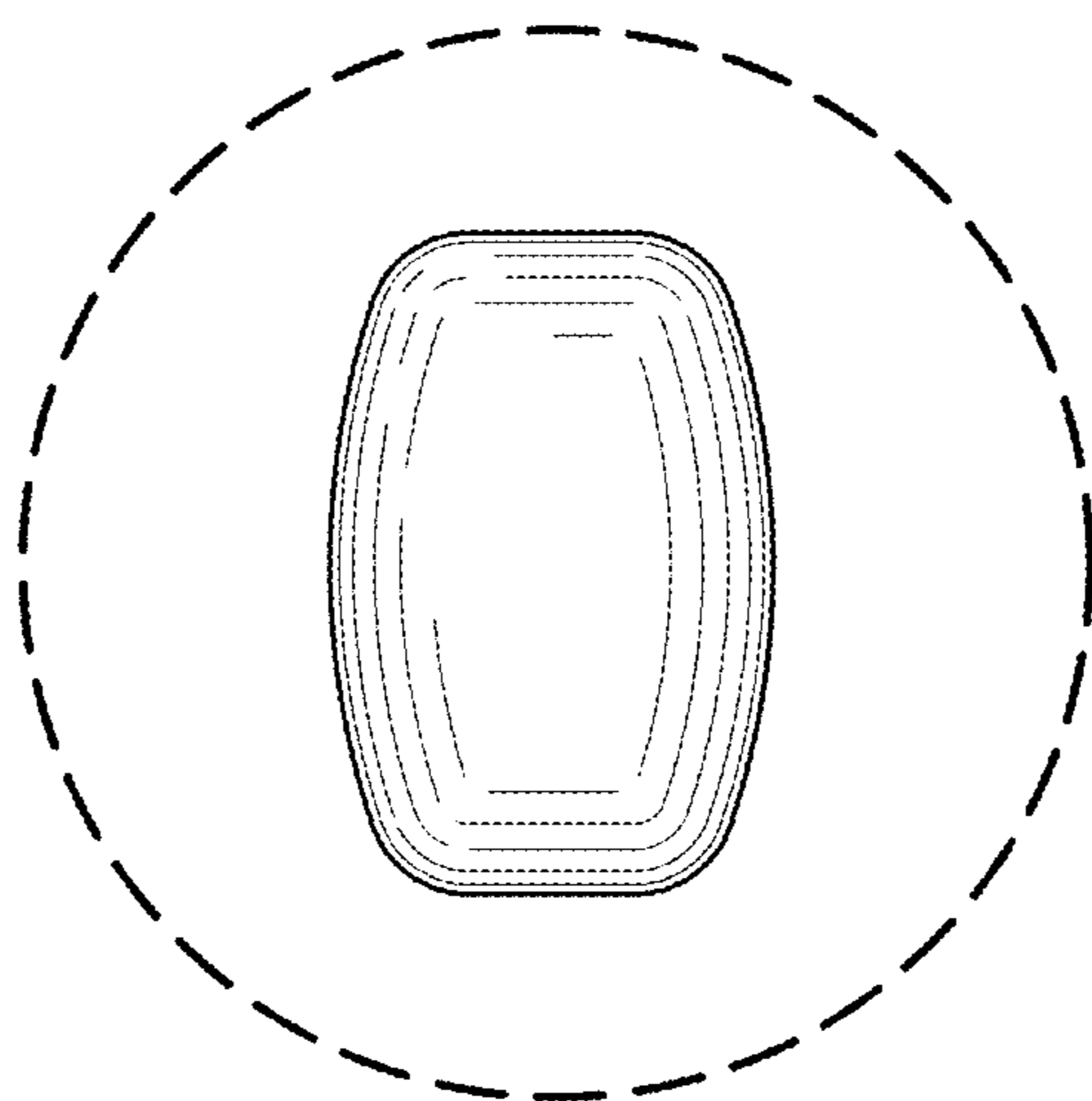


FIG. 4

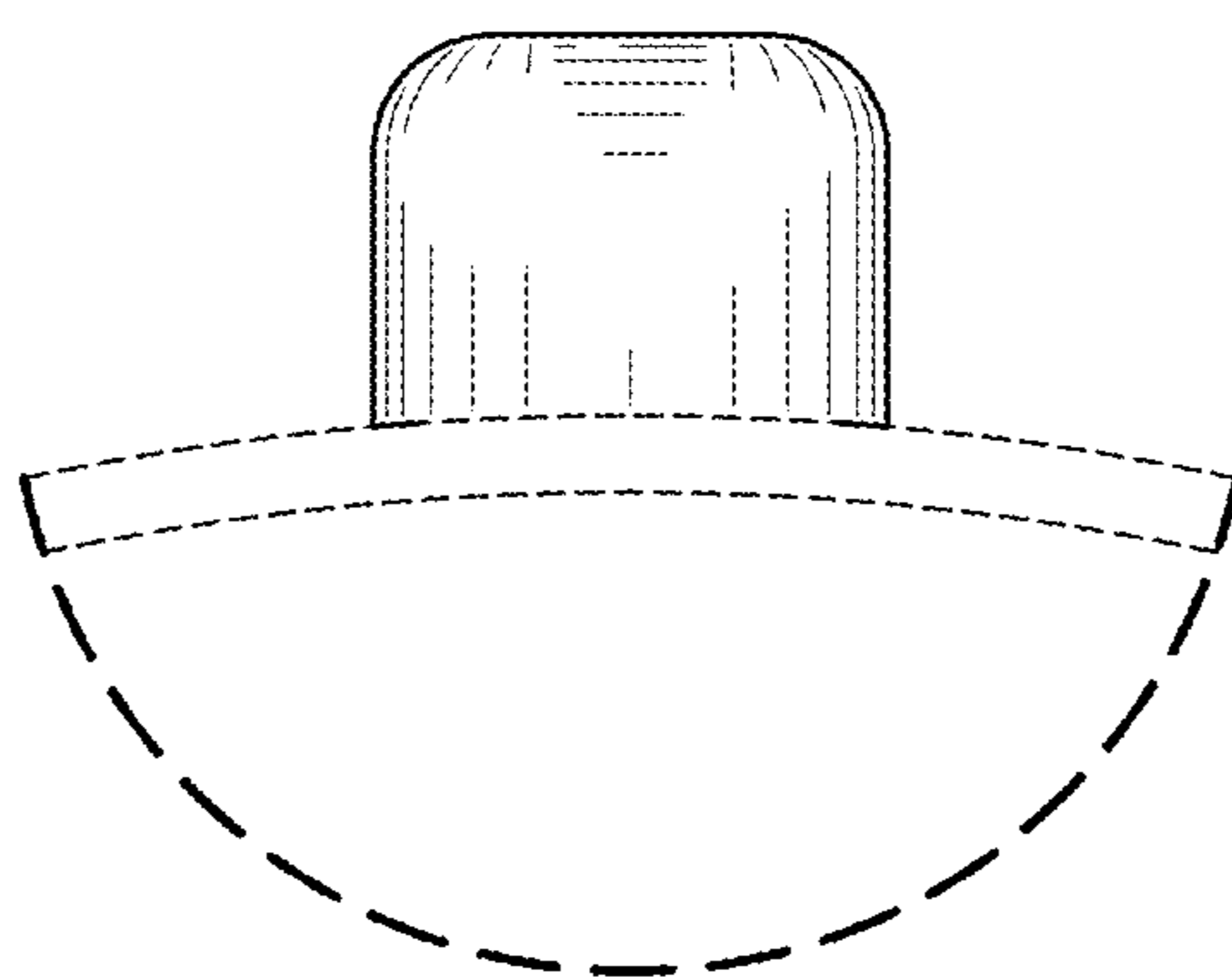


FIG. 5