



US00D750673S

(12) **United States Design Patent**
Imashige et al.

(10) **Patent No.:** **US D750,673 S**
(45) **Date of Patent:** **** Mar. 1, 2016**

(54) **TRAVELING BODY FOR CONSTRUCTION MACHINE**

(56) **References Cited**

(71) Applicant: **KOBELCO CONSTRUCTION MACHINERY CO., LTD.**, Hiroshima-shi, Hiroshima (JP)
(72) Inventors: **Hirokazu Imashige**, Hiroshima (JP); **Shintaro Sakitani**, Hiroshima (JP); **Isao Miyachi**, Hiroshima (JP); **Hiroshi Kanamaru**, Hiroshima (JP); **Kaoru Adachi**, Hiroshima (JP)

U.S. PATENT DOCUMENTS

D450,067 S *	11/2001	Murakami	D15/25
D450,331 S *	11/2001	Murakami	D15/25
D487,575 S *	3/2004	Wetzel	D15/33
D508,498 S *	8/2005	Shimokakiuchi	D15/24
D509,514 S *	9/2005	Shimokakiuchi	D15/24
D575,804 S *	8/2008	Murakami	D15/28
D576,182 S *	9/2008	Murakami	D15/28
D582,946 S *	12/2008	Ochi	D15/28

(Continued)

(73) Assignee: **KOBELCO CONSTRUCTION MACHINERY CO., LTD.**, Hiroshima-shi (JP)

FOREIGN PATENT DOCUMENTS

JP	1213107 S	8/2004
JP	1465429 S	3/2013

(**) Term: **14 Years**

Primary Examiner — Cynthia Ramirez
Assistant Examiner — Gino Colan

(21) Appl. No.: **29/525,141**

(74) *Attorney, Agent, or Firm* — Birch, Stewart, Kolasch & Birch, LLP

(22) Filed: **Apr. 27, 2015**

Related U.S. Application Data

(62) Division of application No. 29/473,956, filed on Nov. 27, 2013, now Pat. No. Des. 735,771.

(57) **CLAIM**

The ornamental design for a traveling body for construction machine, as shown and described.

(30) **Foreign Application Priority Data**

Jun. 12, 2013	(JP)	2013-013232
Jun. 12, 2013	(JP)	2013-013233

(51) **LOC (10) Cl.** **15-09**

(52) **U.S. Cl.**
USPC **D15/28**

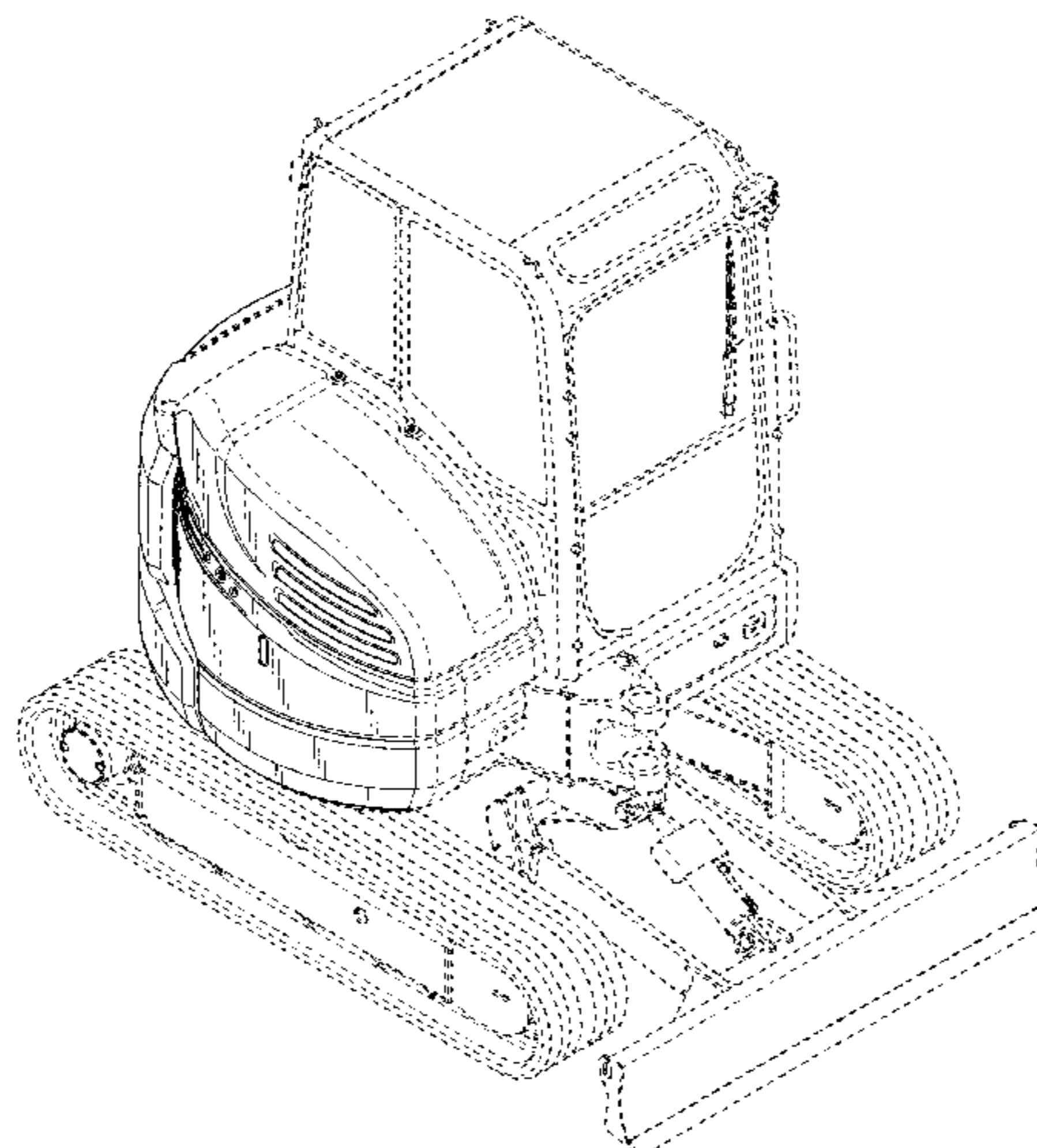
(58) **Field of Classification Search**
USPC D15/28, 10-27, 29-33; 180/89.1, 180/89.12, 235, 900; 296/193.03, 193.08; 172/611, 776; 414/694, 699, 722-724, 414/680, 660
CPC E02D 19/18; E02D 17/13; E02D 5/18; E02F 3/086; E02F 3/144; E02F 3/306; E02F 3/307; B60P 3/40

See application file for complete search history.

DESCRIPTION

FIG. 1 is a first perspective view of a traveling body for construction machine showing an embodiment of our new design;
FIG. 2 is a second perspective view thereof;
FIG. 3 is a front view thereof;
FIG. 4 is a rear view thereof;
FIG. 5 is a left side view thereof;
FIG. 6 is a right side view thereof; and,
FIG. 7 is a top view thereof.
The broken lines shown in the figures are included for the purpose of illustrating portions of the traveling body for construction machine and form no part of the claimed design.

1 Claim, 7 Drawing Sheets



US D750,673 S

Page 2

(56)

References Cited

U.S. PATENT DOCUMENTS

D590,845 S *	4/2009	Ochi	D15/22	
D591,773 S *	5/2009	Ueta	D15/22	* cited by examiner
D593,137 S *	5/2009	Ueta	D15/28	
D687,865 S *	8/2013	Hatanaka	D15/24	
D707,261 S *	6/2014	Caboret	D15/24	

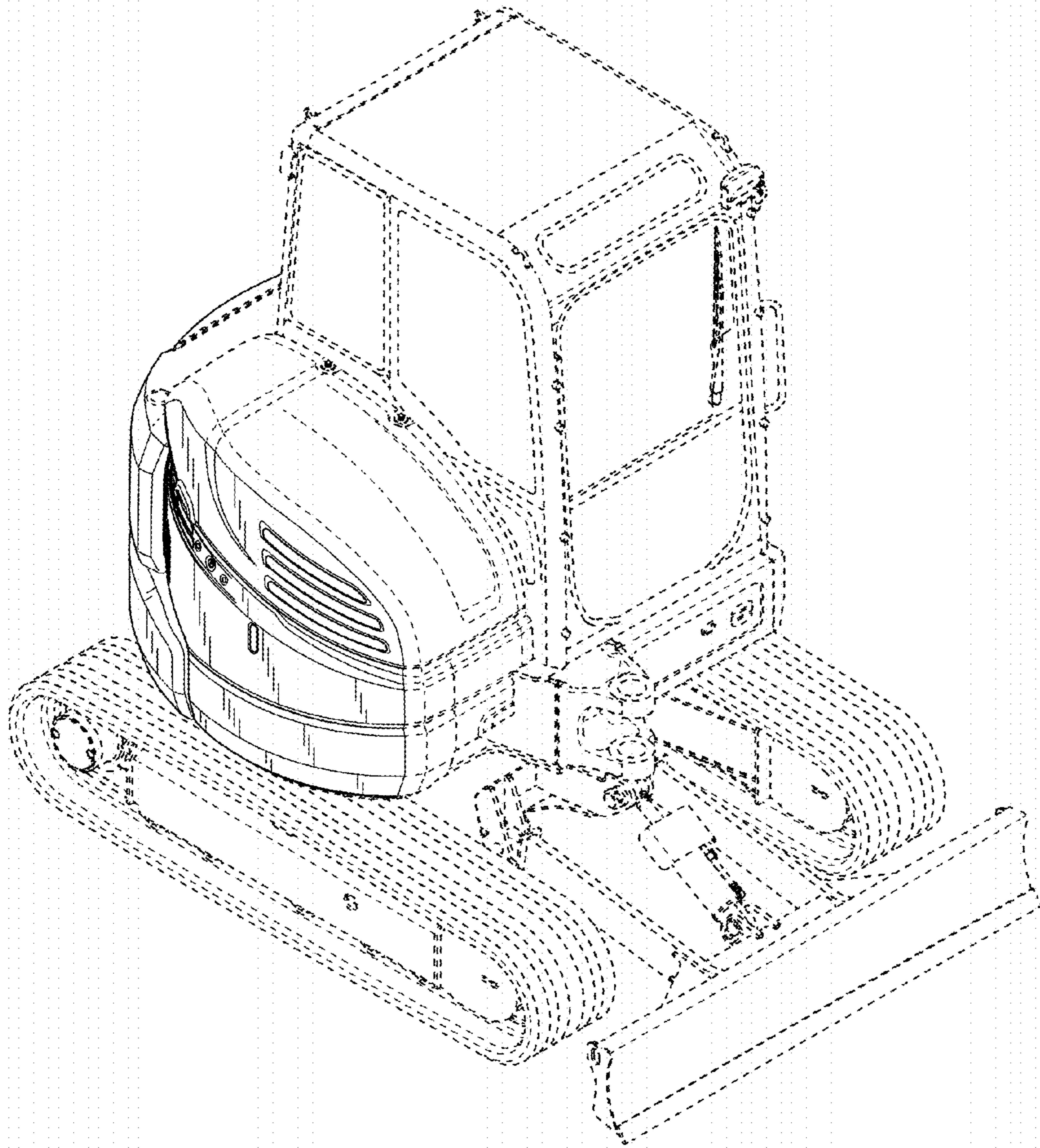


FIG. 1

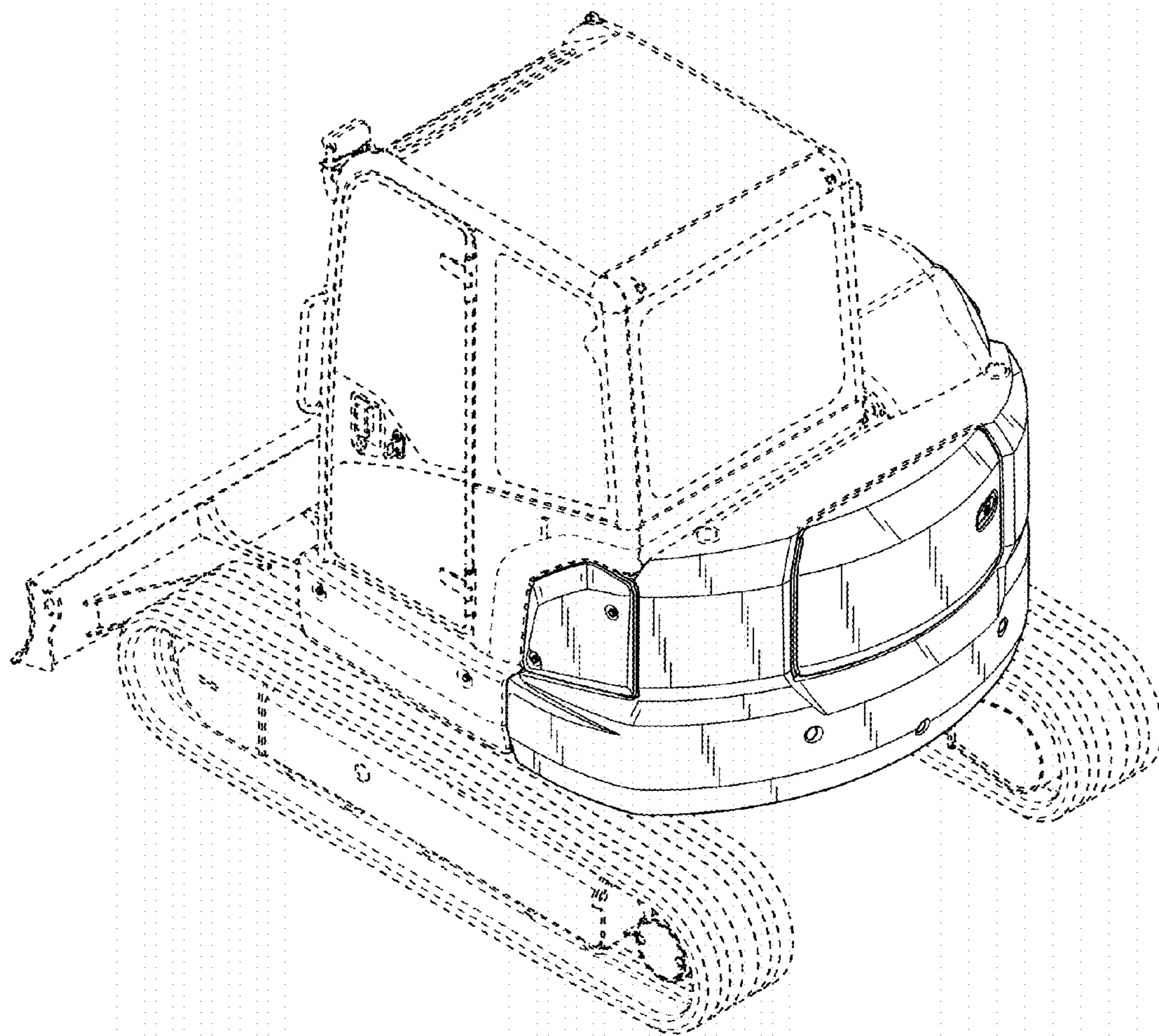


FIG. 2

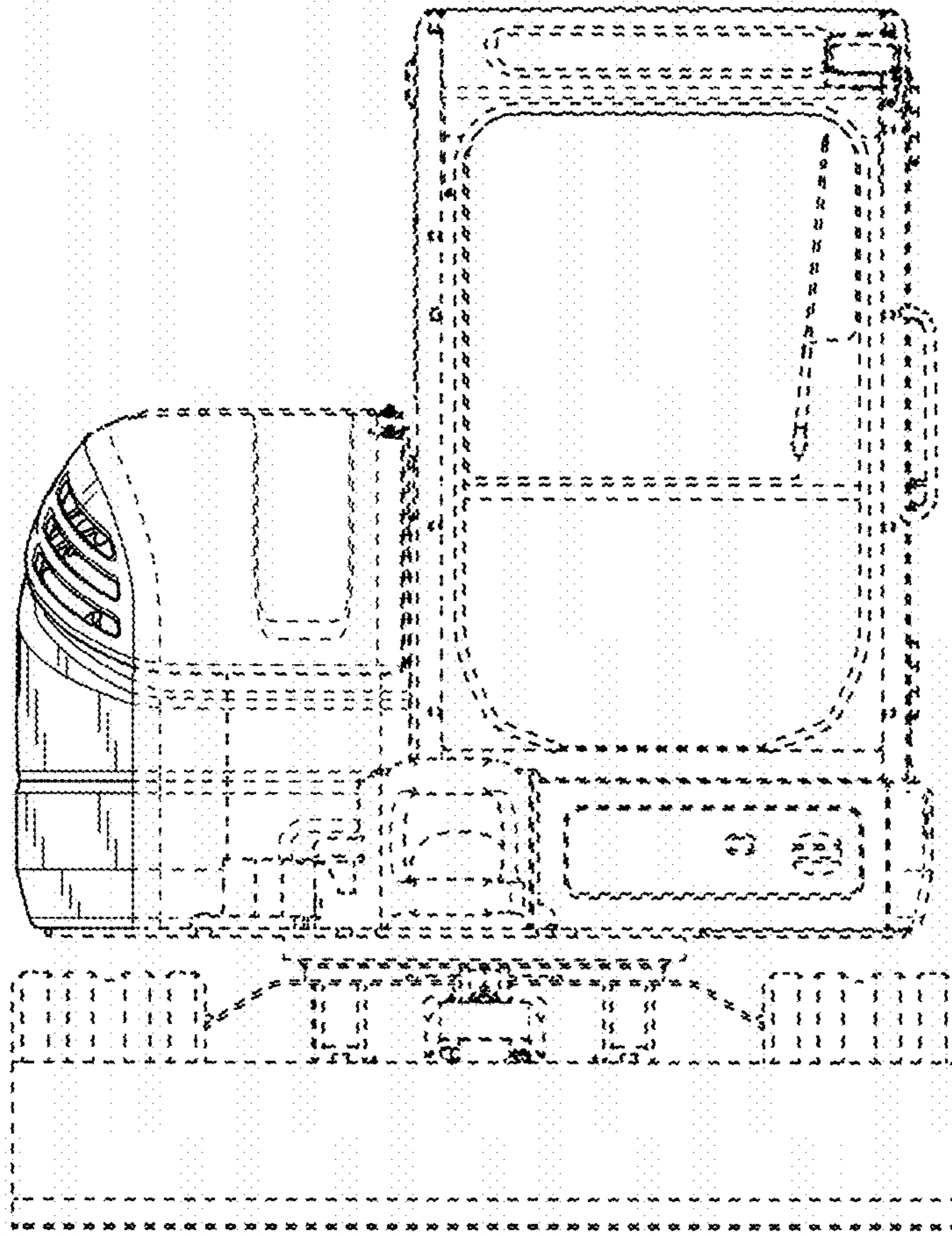


FIG. 3

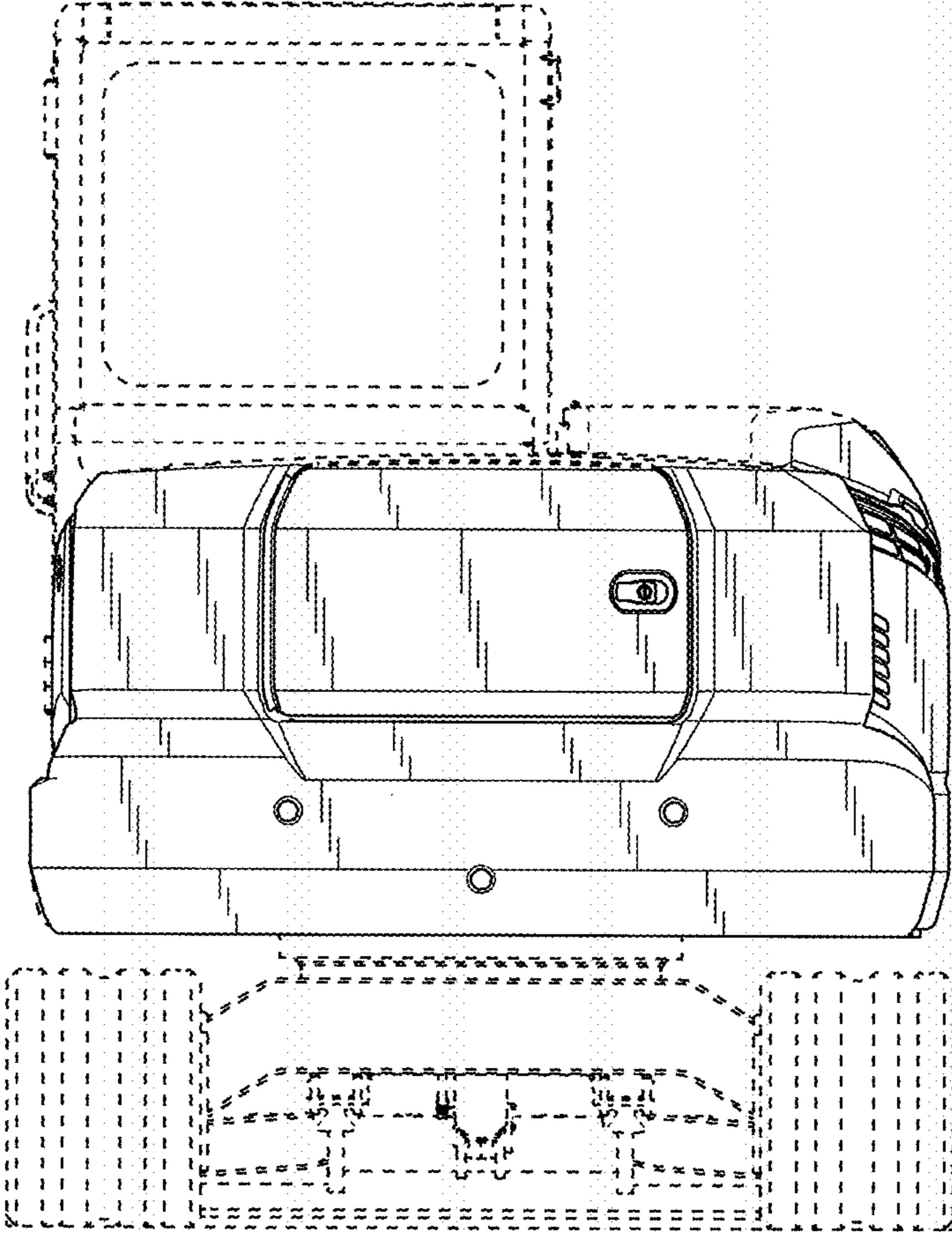


FIG. 4

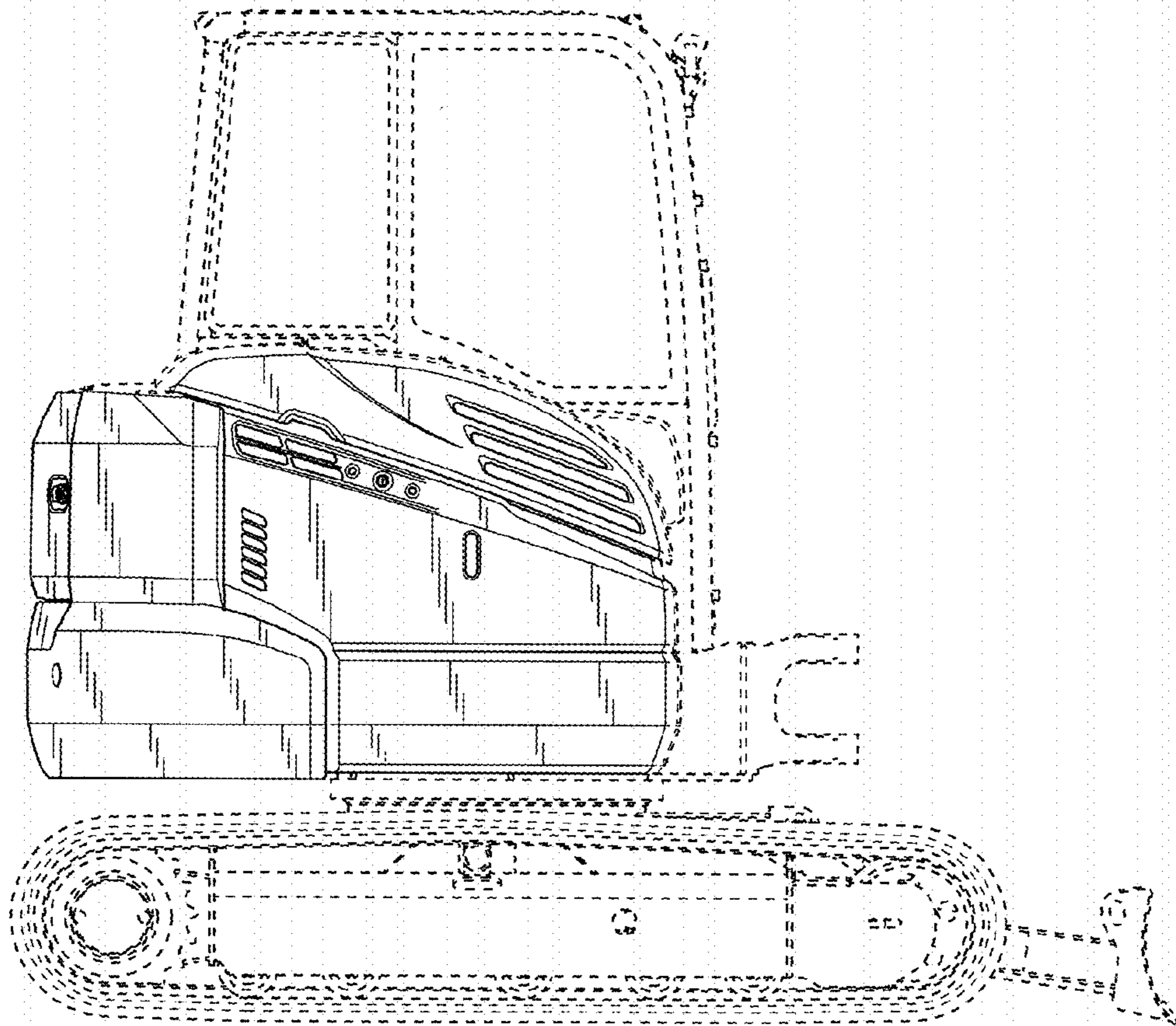


FIG. 5

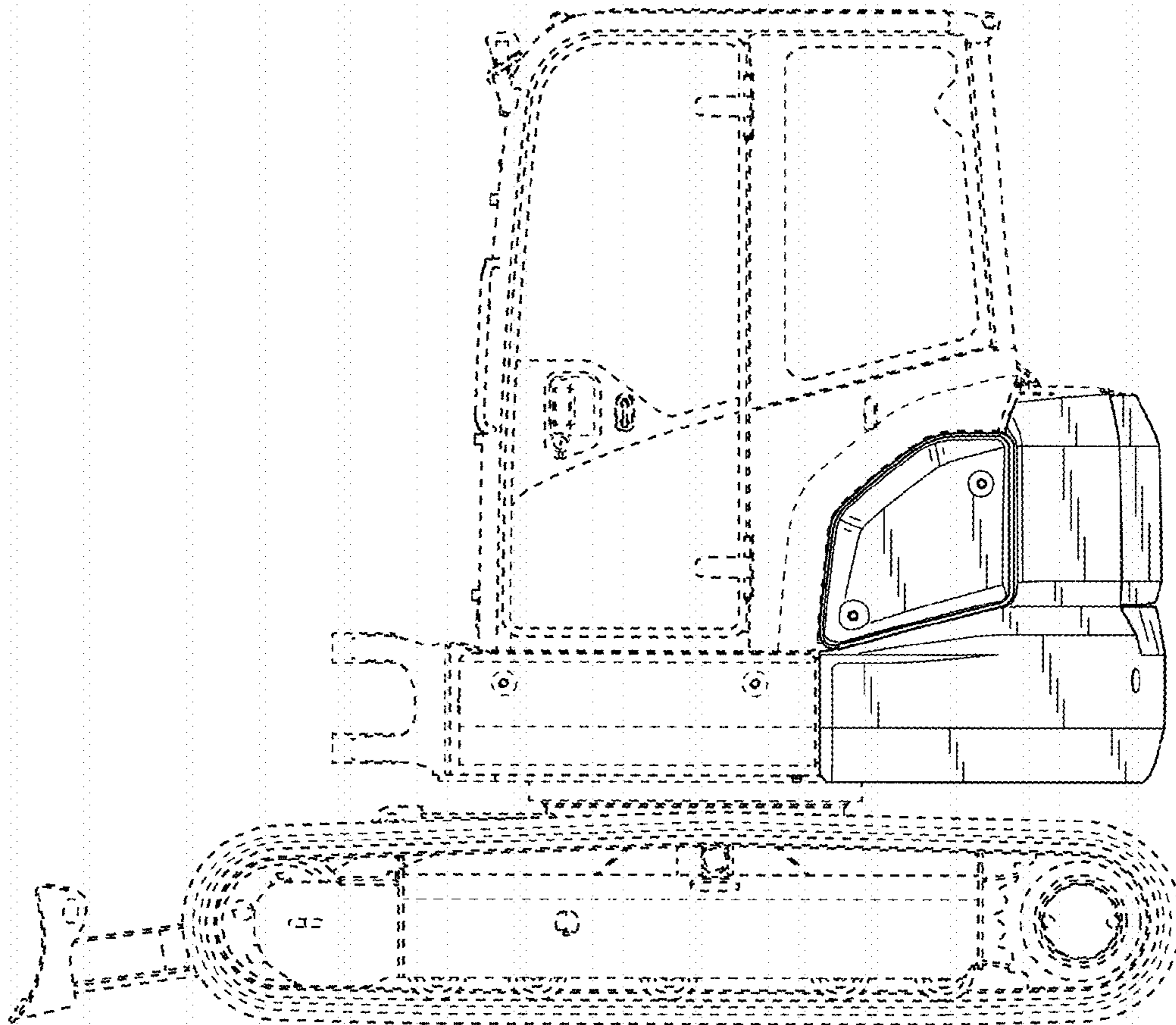


FIG. 6

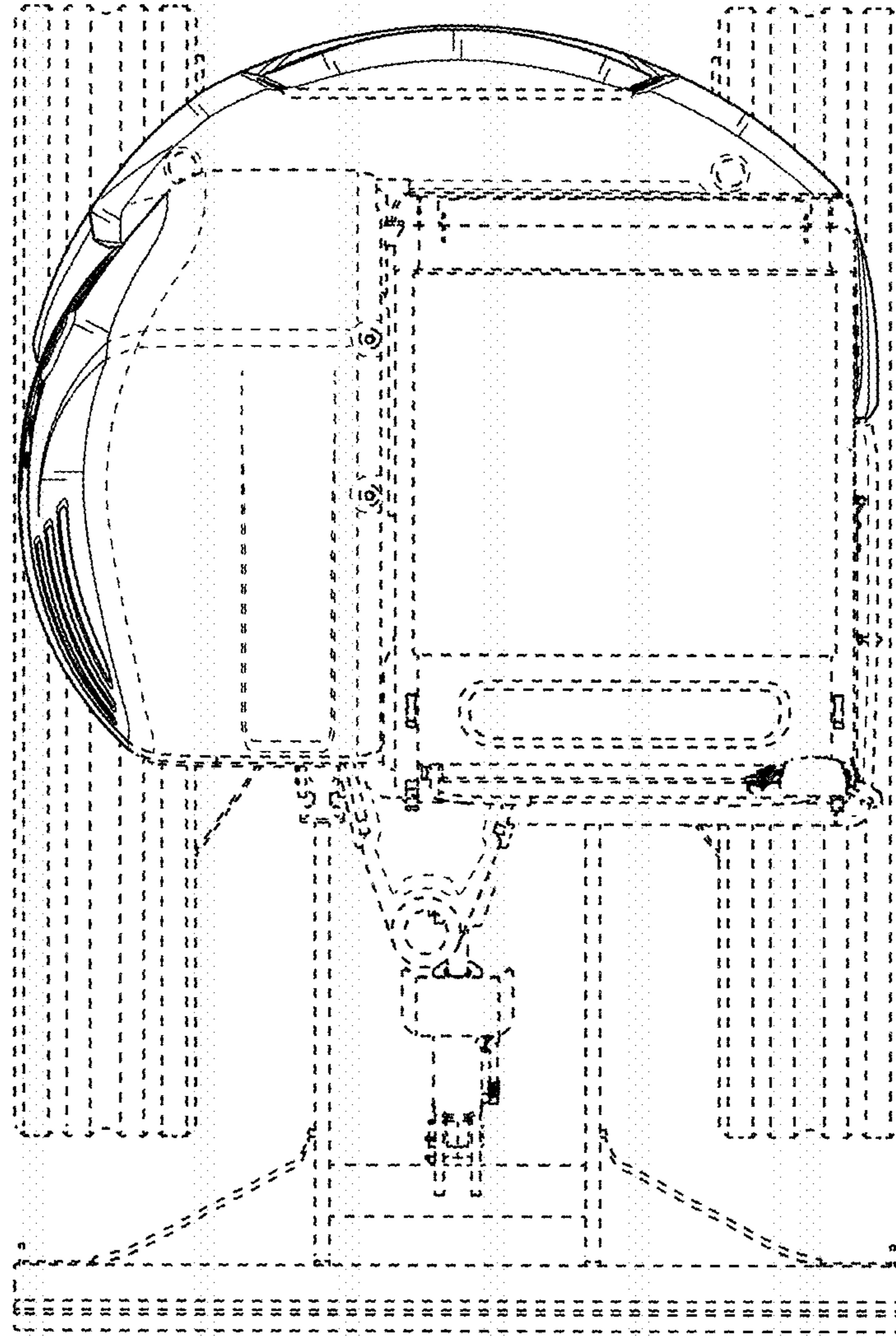


FIG. 7