



US00D750672S

(12) **United States Design Patent**
Payne et al.

(10) **Patent No.:** **US D750,672 S**
(45) **Date of Patent:** **** Mar. 1, 2016**

(54) **EXCAVATOR**

(71) Applicant: **J.C. BAMFORD EXCAVATORS LIMITED**, Utttoxeter (GB)

(72) Inventors: **Samuel Payne**, Utttoxeter (GB); **Michael Turner**, Utttoxeter (GB); **Paul Colclough**, Utttoxeter (GB); **David Morris**, Utttoxeter (GB)

(73) Assignee: **J.C. BAMFORD EXCAVATORS LIMITED**, Utttoxeter (GB)

(**) Term: **14 Years**

(21) Appl. No.: **29/488,923**

(22) Filed: **Apr. 24, 2014**

(30) **Foreign Application Priority Data**

Oct. 24, 2013 (EM) 001388086

(51) **LOC (10) Cl.** **15-03**

(52) **U.S. Cl.**
USPC **D15/25**

(58) **Field of Classification Search**
USPC D15/10, 22-26, 28, 30, 31, 33;
180/89.1, 89.12, 89.13, 900, 9.1, 9.2,
180/9.62; 37/379; 414/694, 699, 722-724,
414/660, 685, 698, 719, 743
CPC E02F 9/0886; E02F 9/18; E02F 3/32;
F01N 13/001; F01N 2590/08
See application file for complete search history.

(56) **References Cited**

U.S. PATENT DOCUMENTS

D433,689 S * 11/2000 Kraft et al. D15/30
D440,235 S * 4/2001 Kuwae et al. D15/25
D440,236 S * 4/2001 Kraft et al. D15/28
D450,717 S * 11/2001 Muraro D15/25
D460,462 S * 7/2002 Miyanishi et al. D15/25
D460,974 S * 7/2002 Murakami et al. D15/25

D462,973 S * 9/2002 Tamaru et al. D15/25
D487,100 S * 2/2004 Tokach et al. D15/30
D487,575 S * 3/2004 Wetzel et al. D15/33
D506,211 S * 6/2005 Kuwae et al. D15/33
D509,514 S * 9/2005 Shimokakiuchi et al. D15/24
D510,366 S * 10/2005 Kuwae et al. D15/28
D528,568 S * 9/2006 Kuwae et al. D15/28
D534,552 S * 1/2007 Yanagida D15/25
D576,182 S * 9/2008 Murakami et al. D15/28
D579,465 S * 10/2008 Ochi et al. D15/28
D582,947 S * 12/2008 Ueta et al. D15/28
D587,285 S * 2/2009 Murakami et al. D15/28

(Continued)

Primary Examiner — Mark Goodwin

(74) *Attorney, Agent, or Firm* — Marshall, Gerstein & Borun LLP

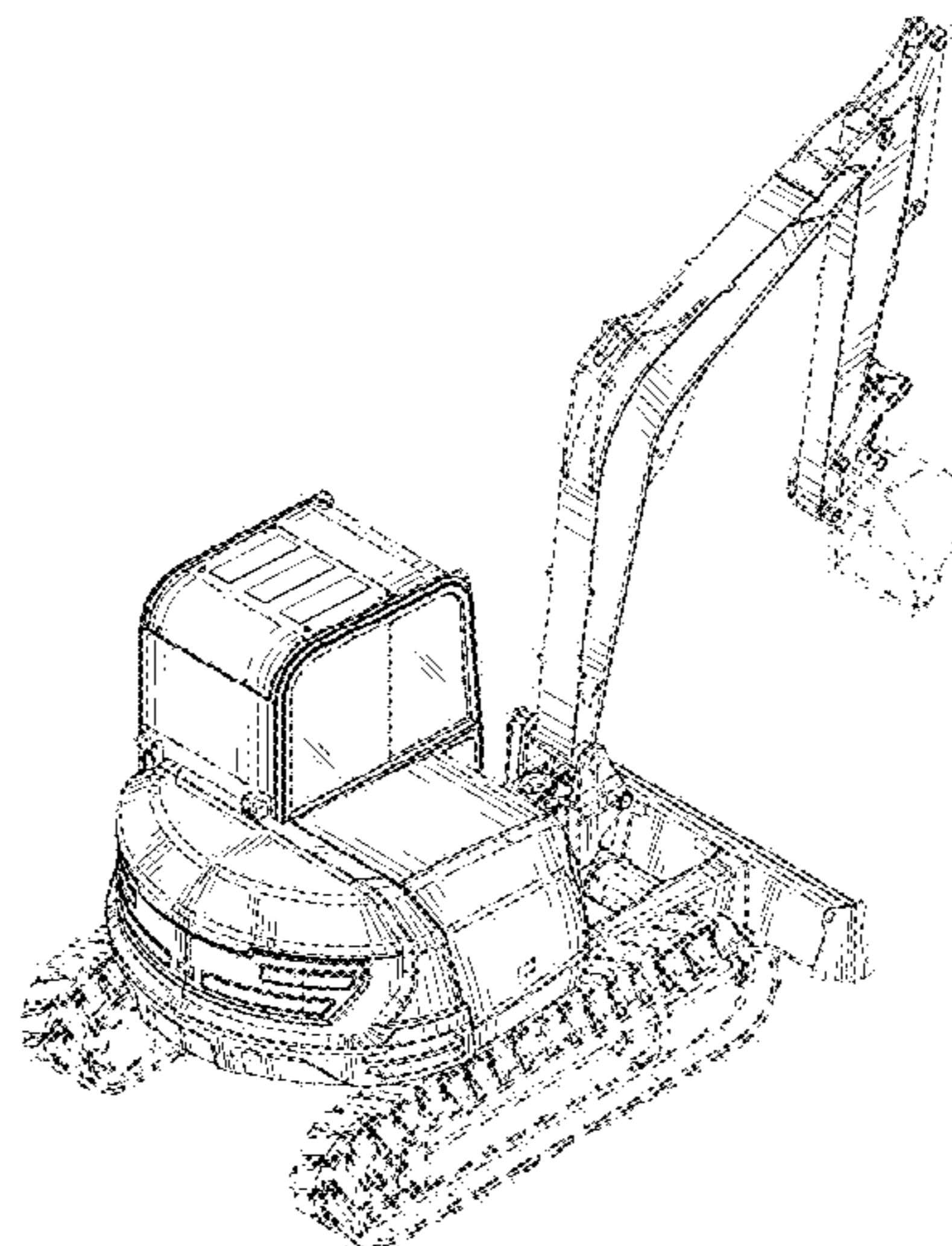
(57) **CLAIM**

The ornamental design for an excavator, as shown and described.

DESCRIPTION

FIG. 1 is a back, left-side, and top view of a first embodiment of an excavator showing the new design.
FIG. 2 is a left-side elevation view of the excavator.
FIG. 3 is a front, left-side, and top view.
FIG. 4 is a front elevation view.
FIG. 5 is a right-side elevation view.
FIG. 6 is a top plan view.
FIG. 7 is a rear elevation view.
FIG. 8 is a back, left-side, and top view of a second embodiment of an excavator showing the new design.
FIG. 9 is a left-side elevation view of the second excavator.
FIG. 10 is a front, left-side, and top view.
FIG. 11 is a front elevation view.
FIG. 12 is a right-side elevation view.
FIG. 13 is a top plan view; and,
FIG. 14 is a rear elevation view.
The broken lines show elements of the excavators that form no part of the claimed design.

1 Claim, 14 Drawing Sheets



(56)

References Cited

U.S. PATENT DOCUMENTS

D633,926 S * 3/2011 Shimada et al. D15/25
D678,358 S * 3/2013 Hiraoka et al. D15/28
D678,359 S * 3/2013 Hagura et al. D15/28
D679,734 S * 4/2013 Tsukamoto et al. D15/28

D684,598 S * 6/2013 Hagura et al. D15/24
D684,600 S * 6/2013 Saito et al. D15/24
D684,605 S * 6/2013 Hagura et al. D15/28
D687,865 S * 8/2013 Hatanaka et al. D15/24
D688,713 S * 8/2013 Seino et al. D15/33

* cited by examiner

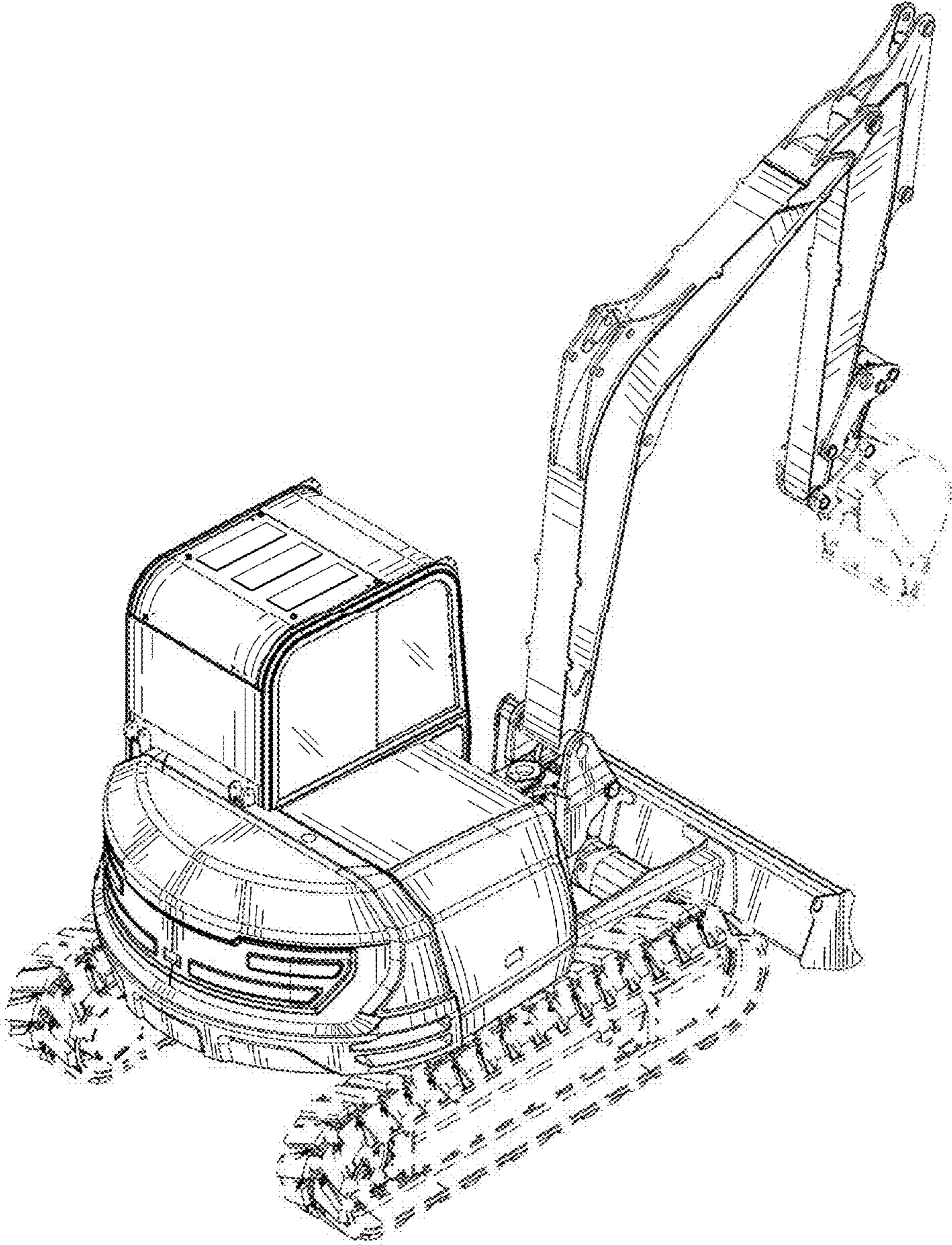


Fig. 1

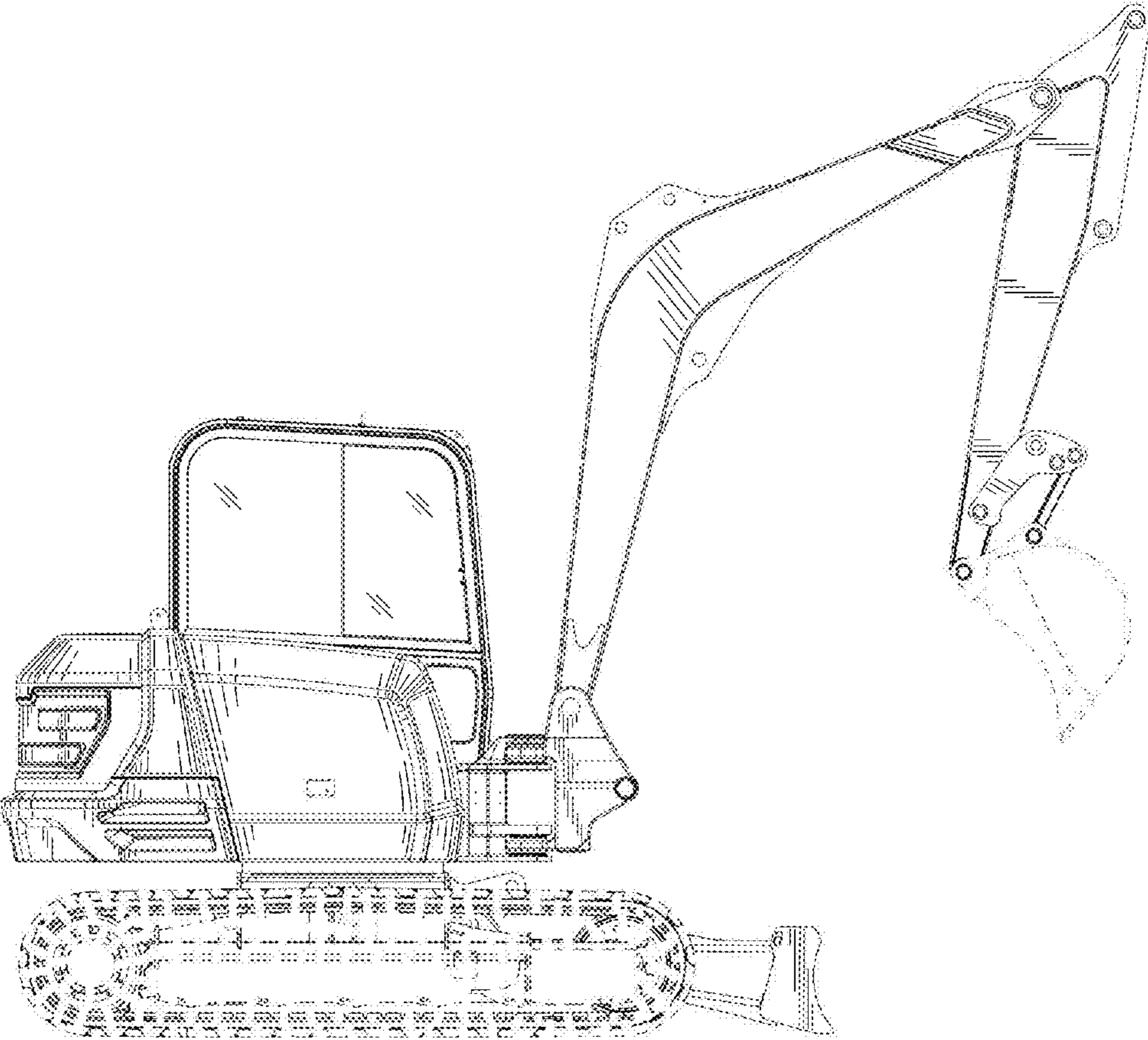


Fig. 2

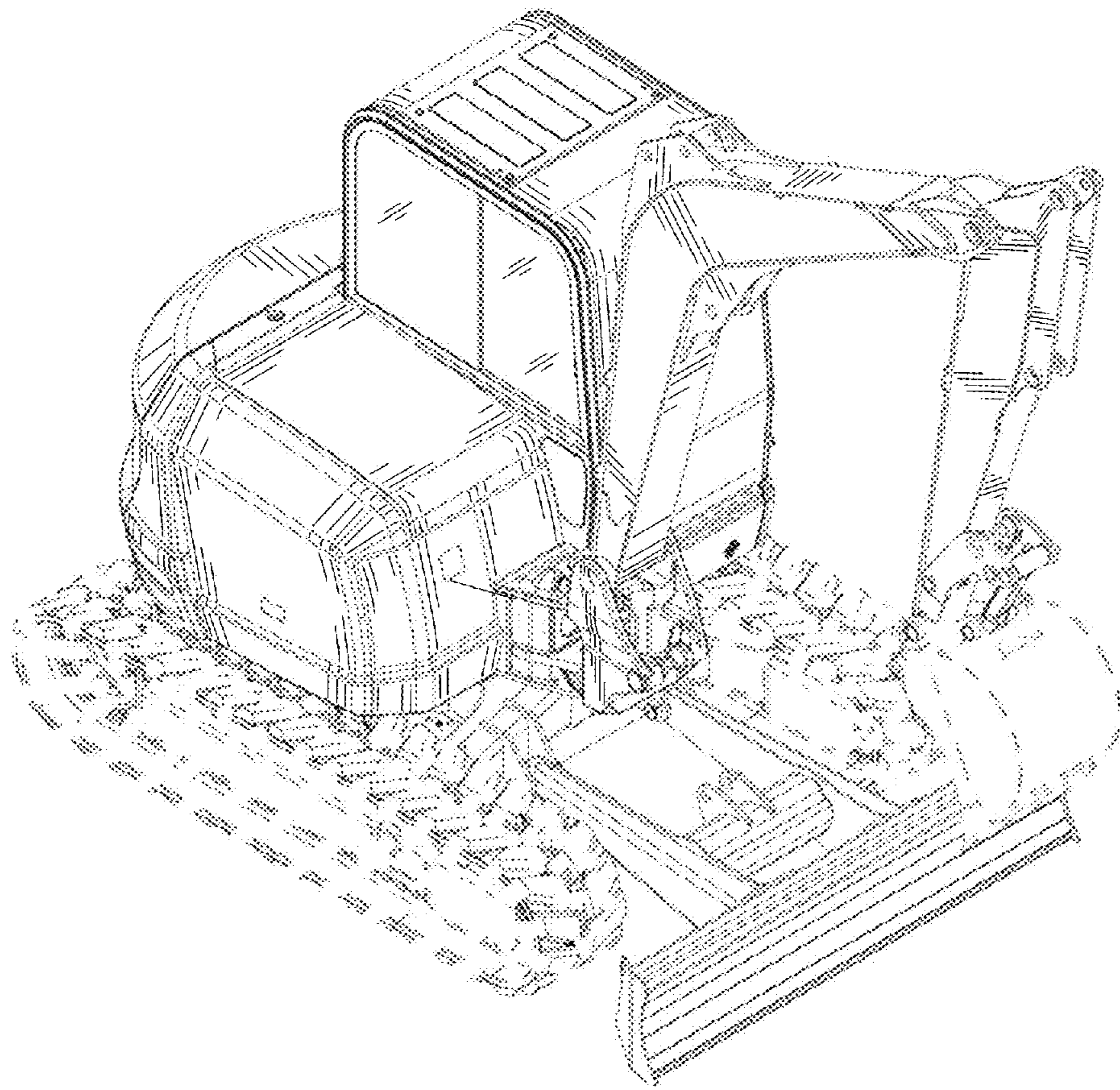


Fig. 3

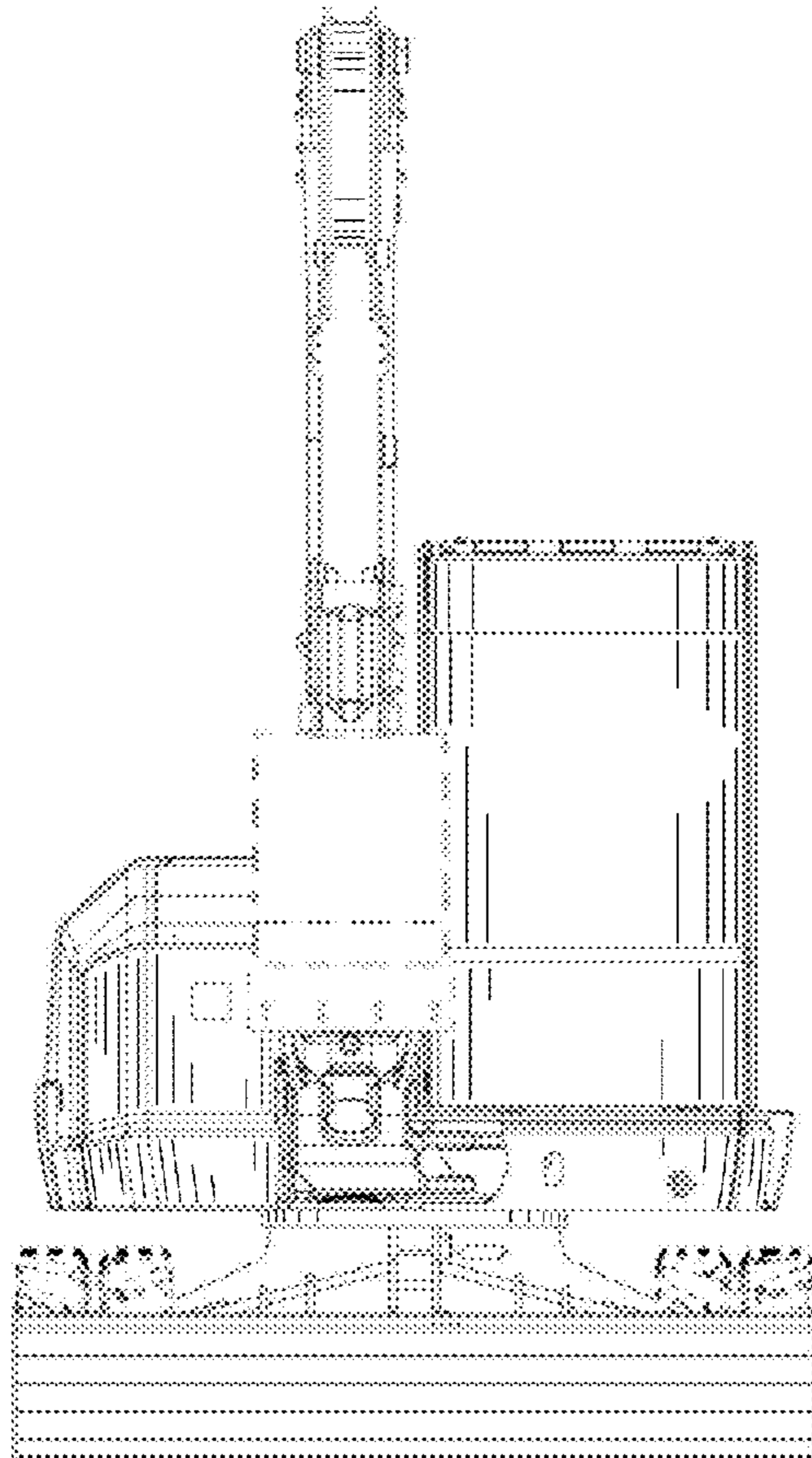


Fig. 4

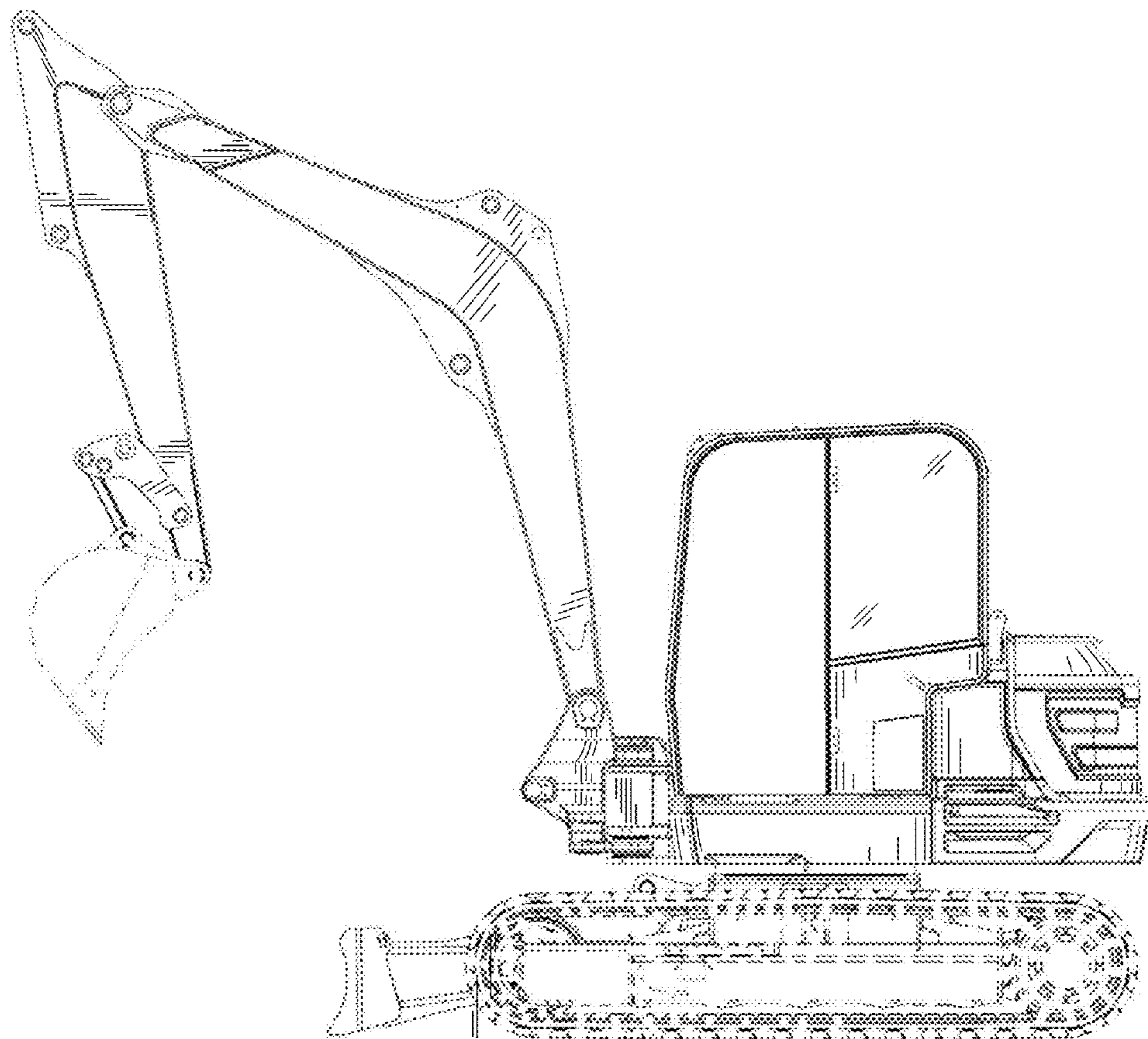


Fig. 5

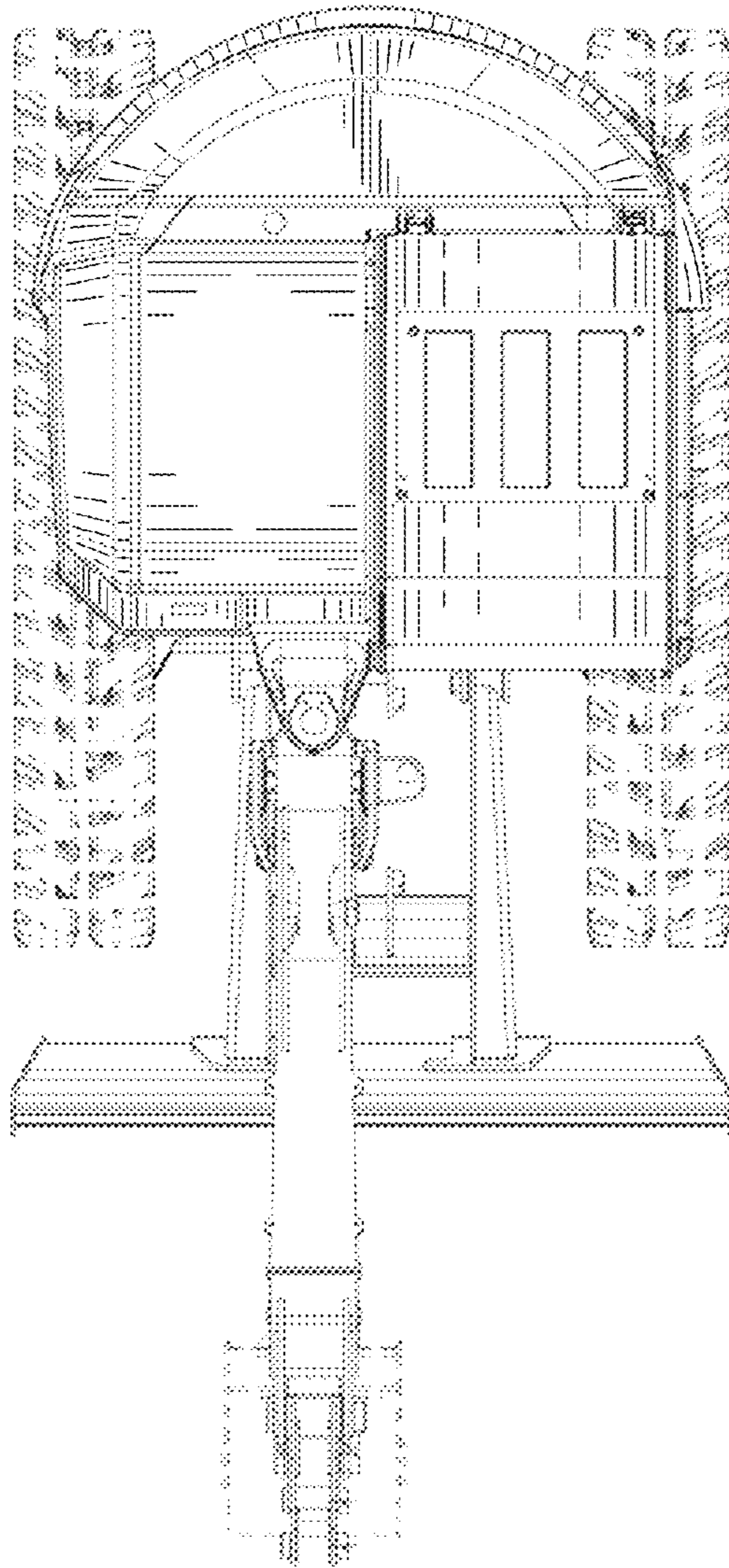


Fig. 6

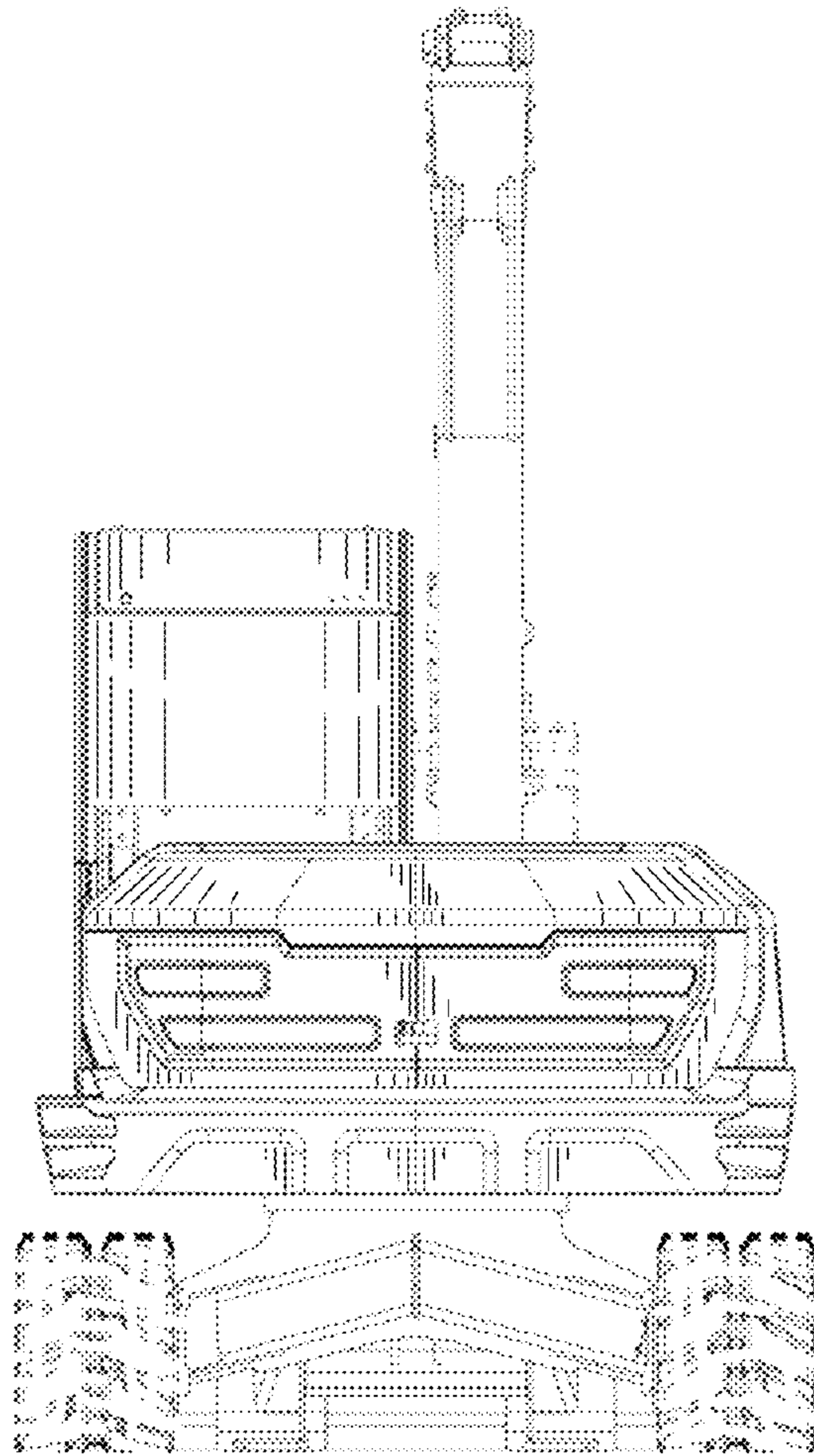


Fig. 7

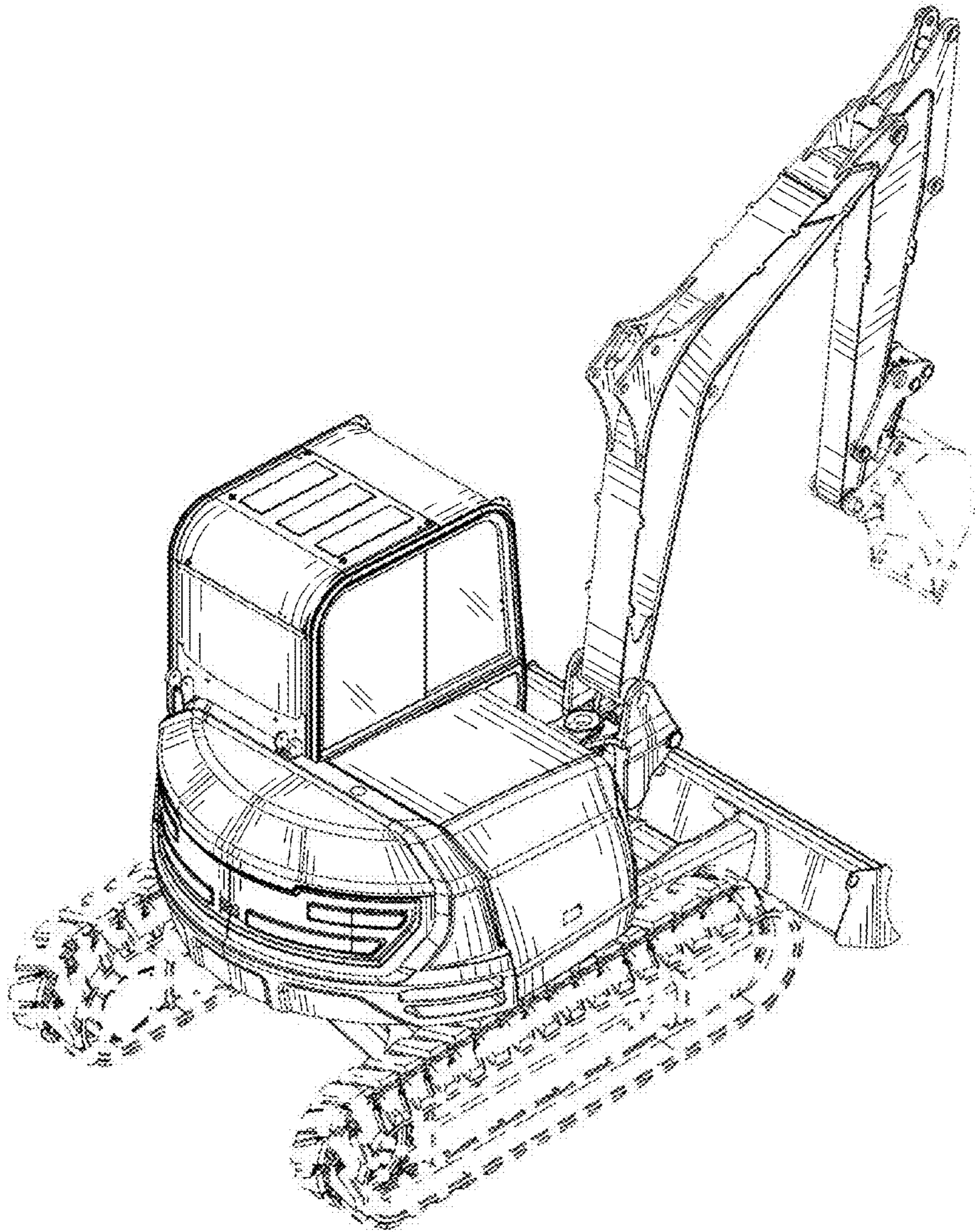


Fig. 8

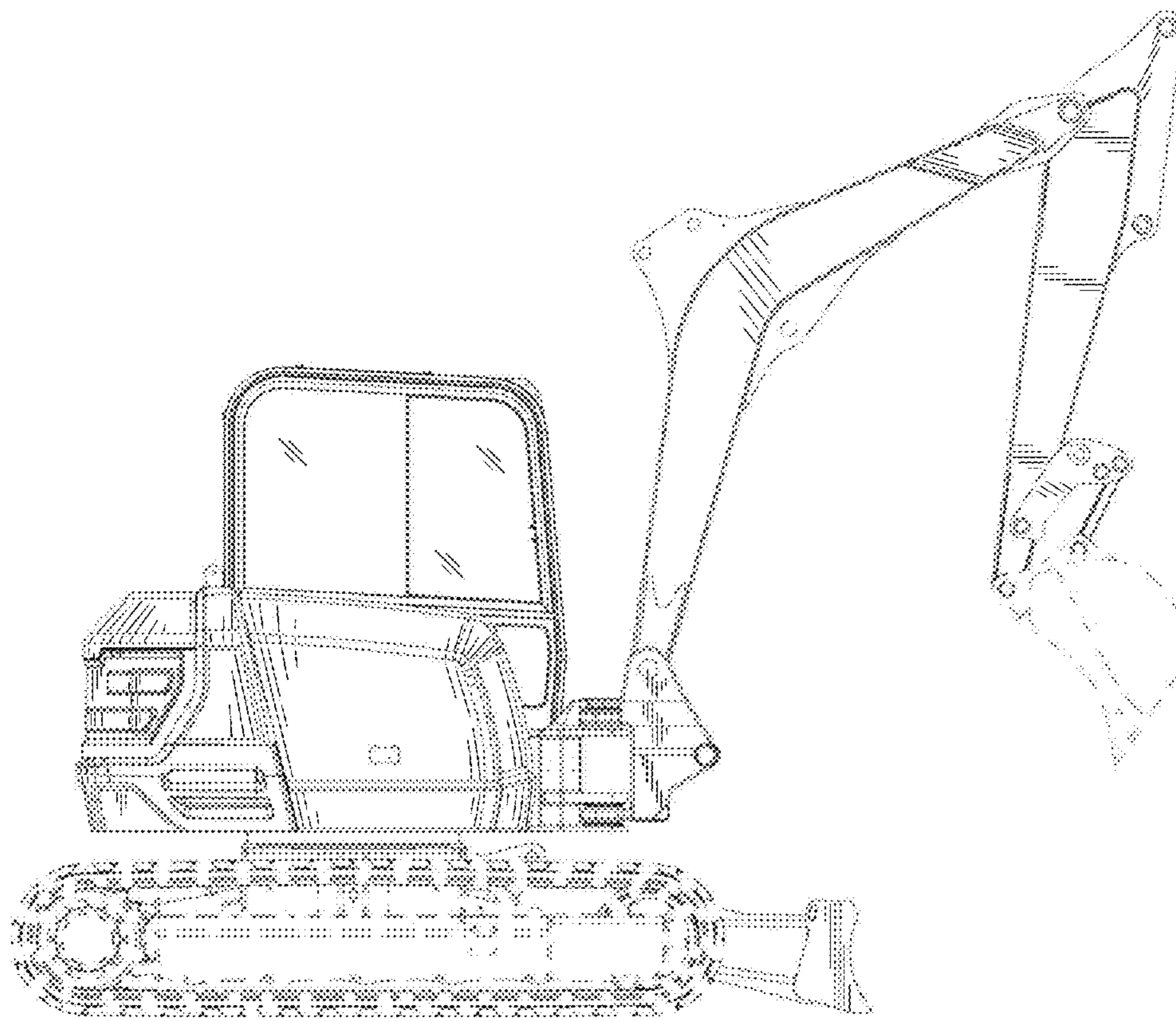


Fig. 9

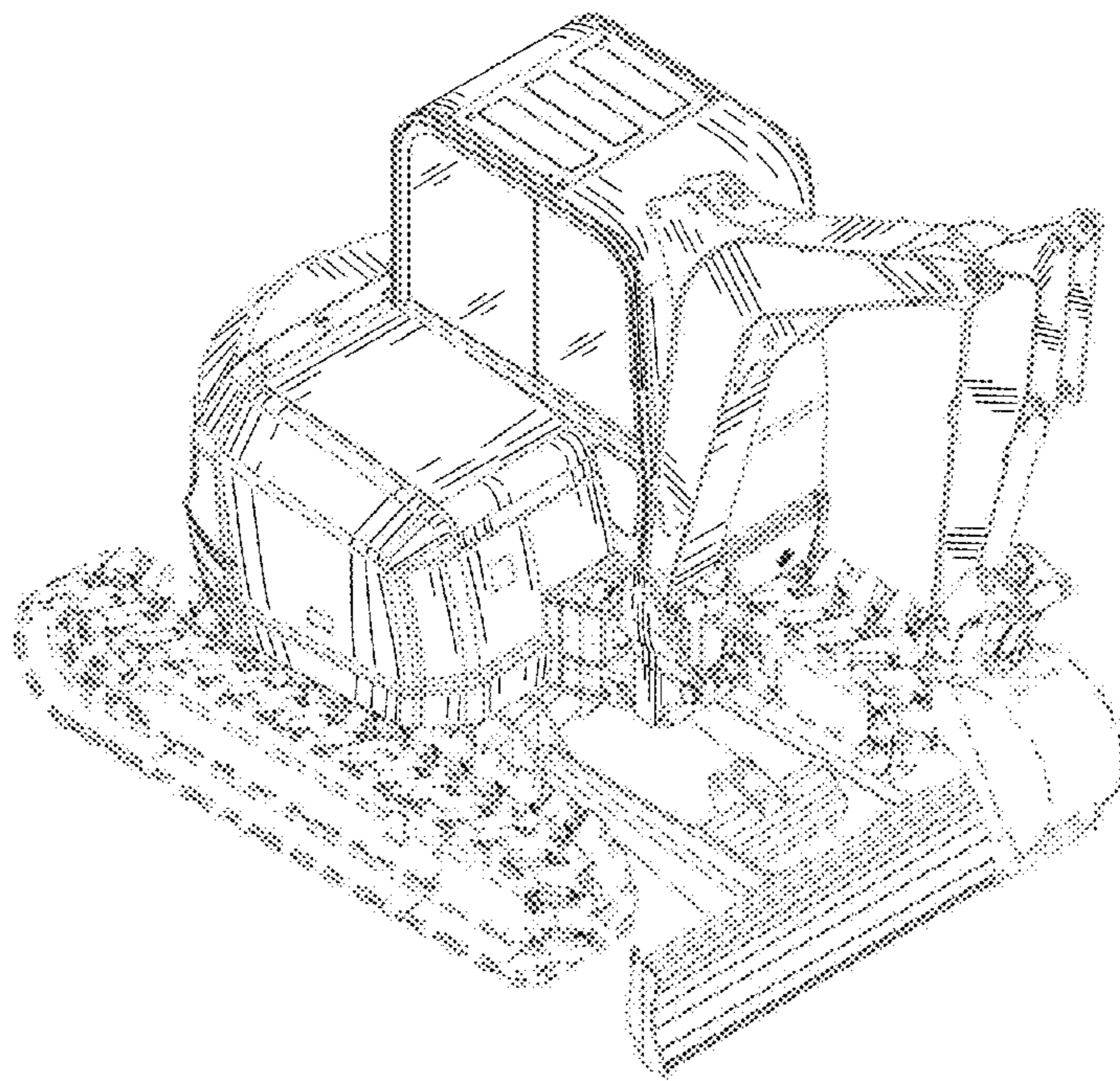


Fig. 10

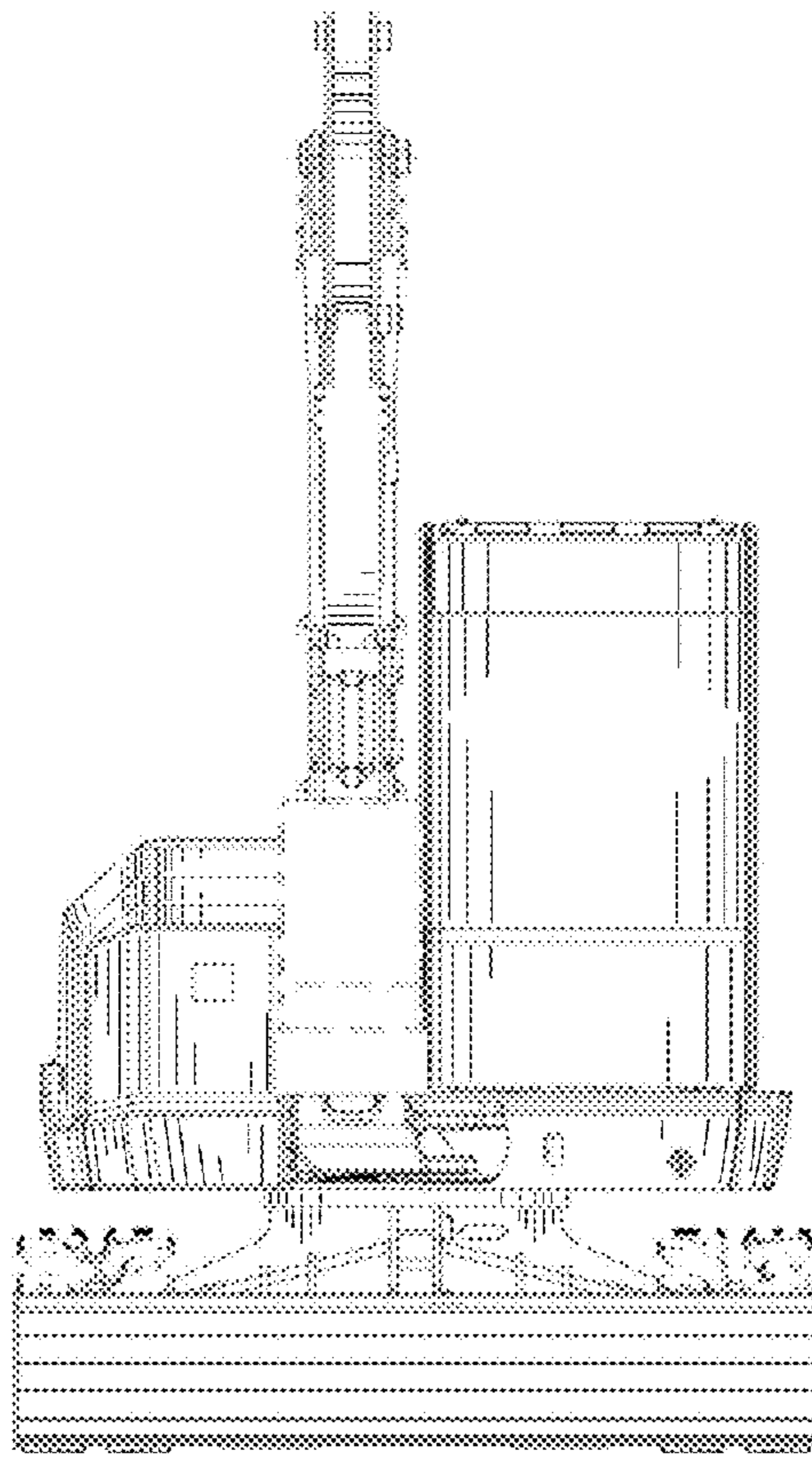


Fig. 11

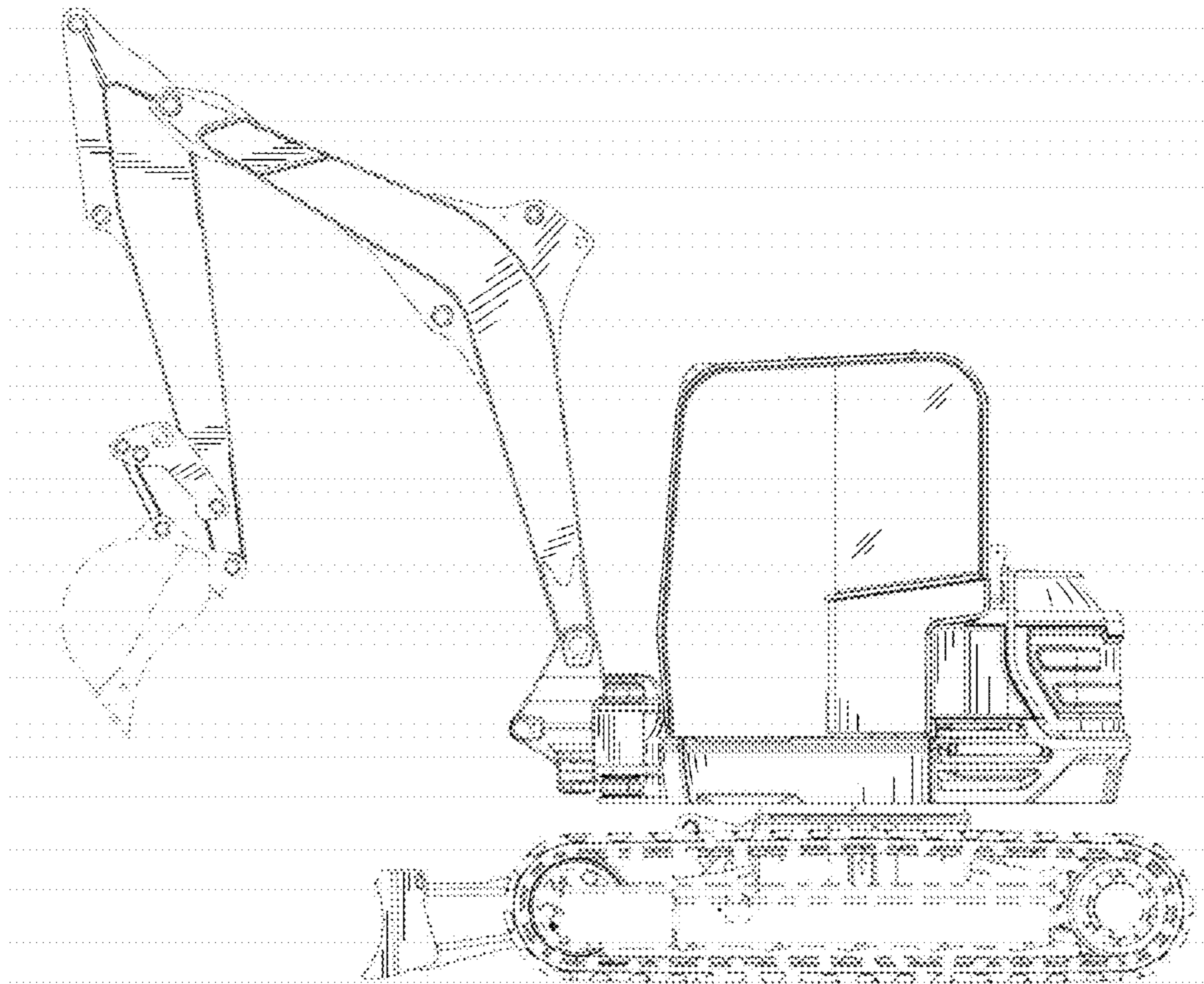


Fig. 12

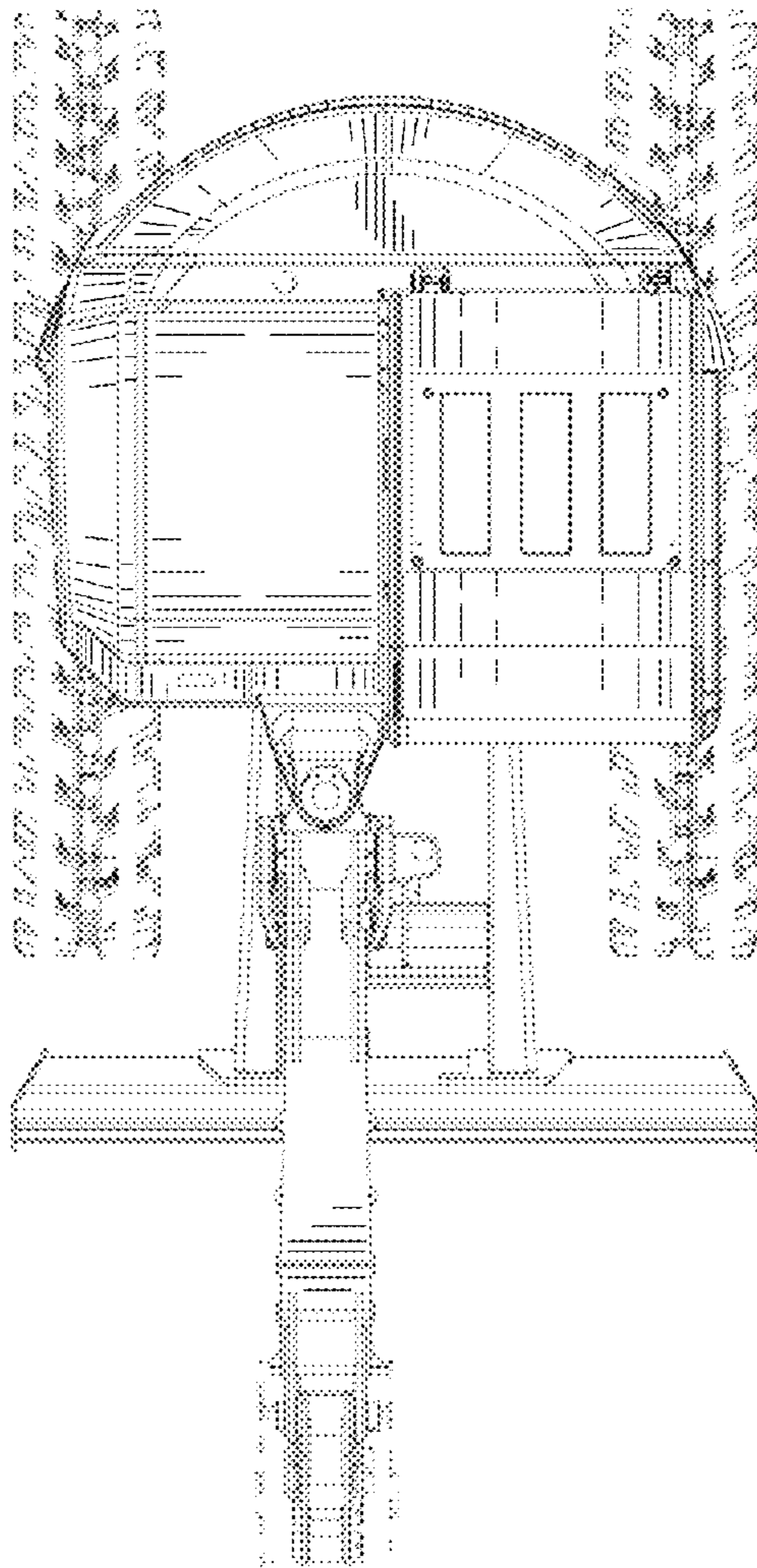


Fig. 13

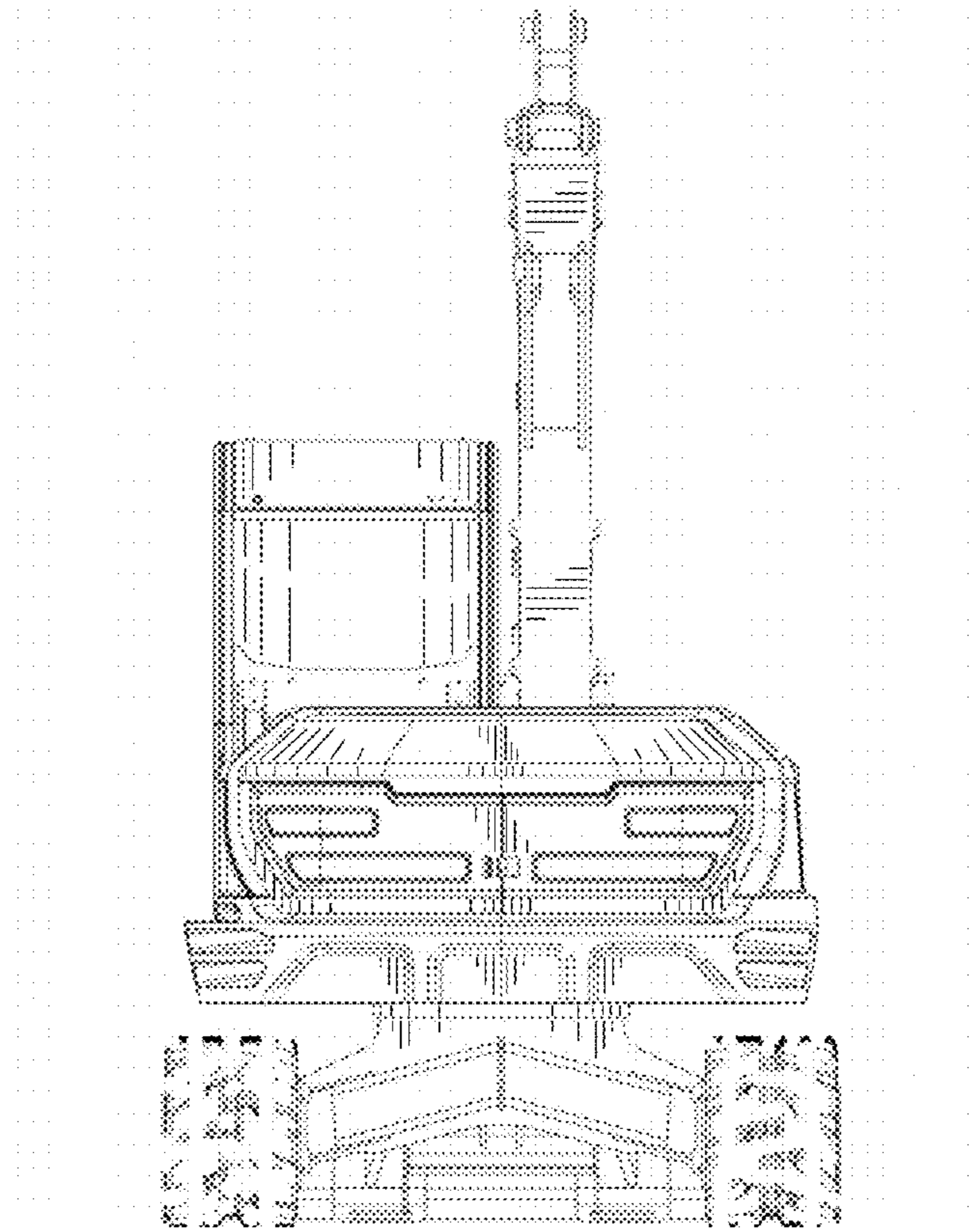


Fig. 14