

US00D750671S

(12) **United States Design Patent**
Imashige et al.

(10) **Patent No.:** **US D750,671 S**
(45) **Date of Patent:** **** Mar. 1, 2016**

(54) **TRAVELLING BODY FOR CONSTRUCTION MACHINE**

(56) **References Cited**

U.S. PATENT DOCUMENTS

(71) Applicant: **KOBELCO CONSTRUCTION MACHINERY CO., LTD.**, Hiroshima-shi, Hiroshima (JP)
(72) Inventors: **Hirokazu Imashige**, Hiroshima (JP); **Shintaro Sakitani**, Hiroshima (JP); **Isao Miyachi**, Hiroshima (JP); **Hiroshi Kanamaru**, Hiroshima (JP); **Kaoru Adachi**, Hiroshima (JP); **Masashi Yoneda**, Hiroshima (JP)

D450,331 S	11/2001	Murakami et al.
D508,498 S	8/2005	Shimokakiuchi et al.
D559,277 S	1/2008	Tsujita et al.
D562,354 S	2/2008	Imashige et al.
D563,437 S	3/2008	Imashige et al.
D575,804 S	8/2008	Murakami et al.
D591,773 S	5/2009	Ueta et al.
D593,137 S	5/2009	Ueta et al.
D631,067 S	1/2011	Nishimura et al.
D687,865 S	8/2013	Hatanaka et al.
D692,924 S	11/2013	Hatanaka et al.
D707,261 S	6/2014	Caboret et al.

(73) Assignee: **Kobelco Construction Machinery Co., Ltd.**, Hiroshima-shi (JP)

FOREIGN PATENT DOCUMENTS

(**) Term: **15 Years**

JP	1105409	4/2001
JP	1105566	4/2001
JP	1113460	7/2001

(21) Appl. No.: **29/530,980**

Primary Examiner — Robin V Webster

(22) Filed: **Jun. 22, 2015**

(74) *Attorney, Agent, or Firm* — Birch, Stewart, Kolasch & Birch, LLP

Related U.S. Application Data

(62) Division of application No. 29/473,723, filed on Nov. 25, 2013, now Pat. No. Des. 738,403.

(57) **CLAIM**

The ornamental design for a travelling body for construction machine, as shown and described.

(30) **Foreign Application Priority Data**

Jun. 12, 2013	(JP)	2013-013224
Jun. 12, 2013	(JP)	2013-013225
Jun. 12, 2013	(JP)	2013-013226

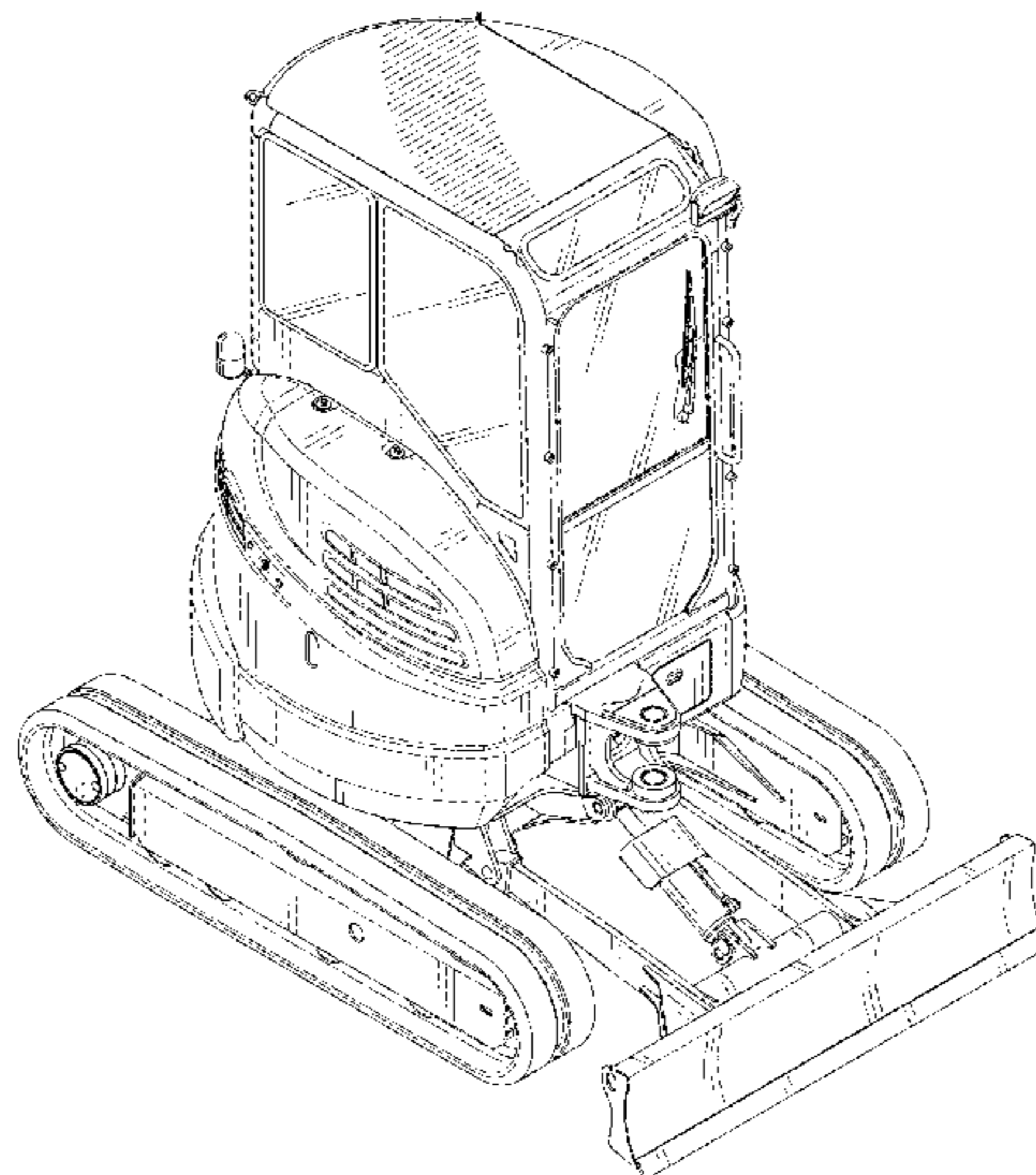
DESCRIPTION

(51) **LOC (10) Cl.** **15-03**
(52) **U.S. Cl.**
USPC **D15/24; D15/22**
(58) **Field of Classification Search**
USPC D15/22-26; 180/89.1, 89.12, 89.13,
180/89.16, 89.19, 89.18; 296/190.01,
296/190.08, 190.04

FIG. 1 is a first perspective view of a travelling body for construction machine showing our new design;
FIG. 2 is a second perspective view thereof;
FIG. 3 is a front view thereof;
FIG. 4 is a rear view thereof;
FIG. 5 is a left side view thereof;
FIG. 6 is a right side view thereof;
FIG. 7 is a top view thereof; and,
FIG. 8 is a bottom view thereof.

See application file for complete search history.

1 Claim, 8 Drawing Sheets



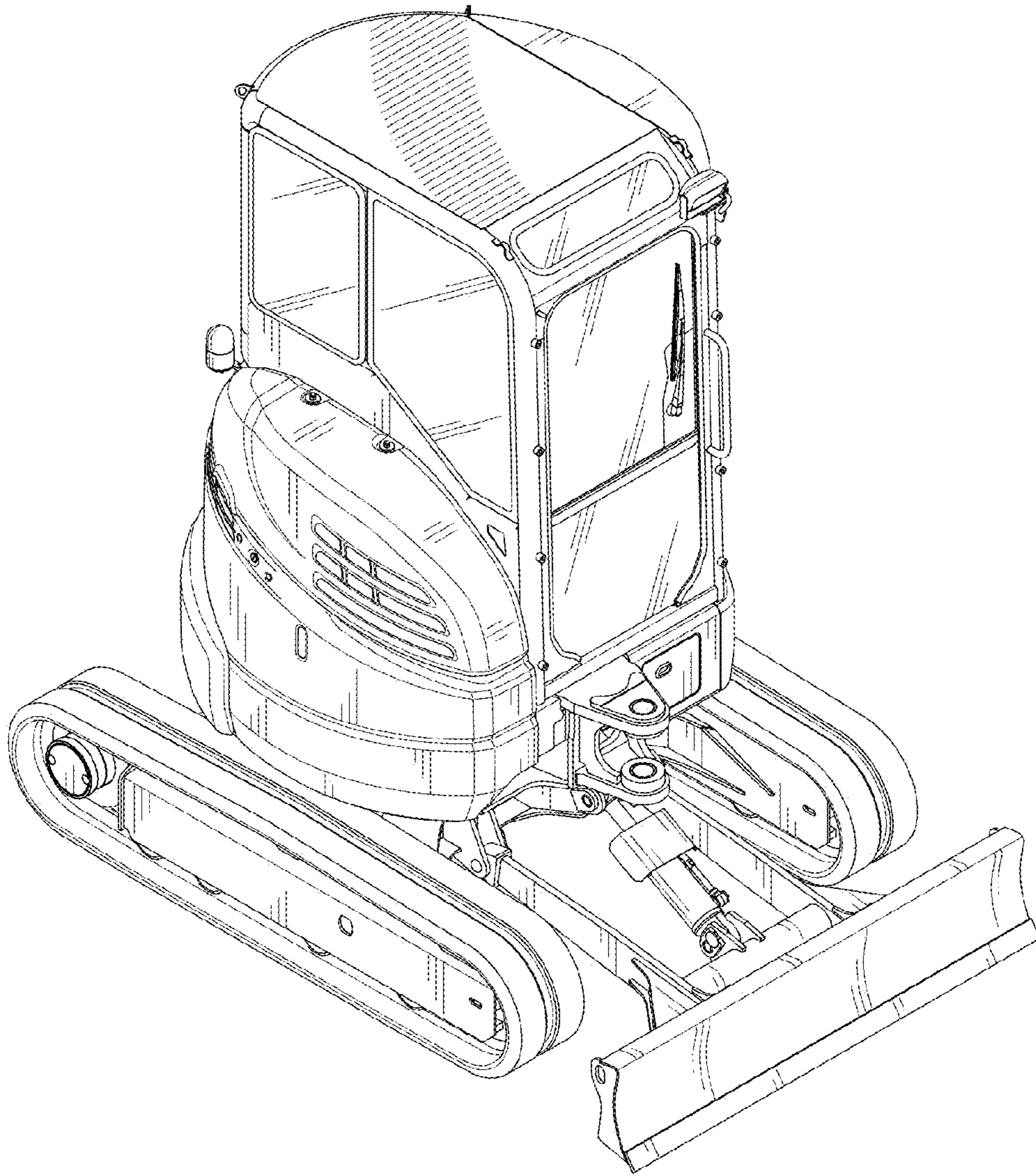


FIG. 1

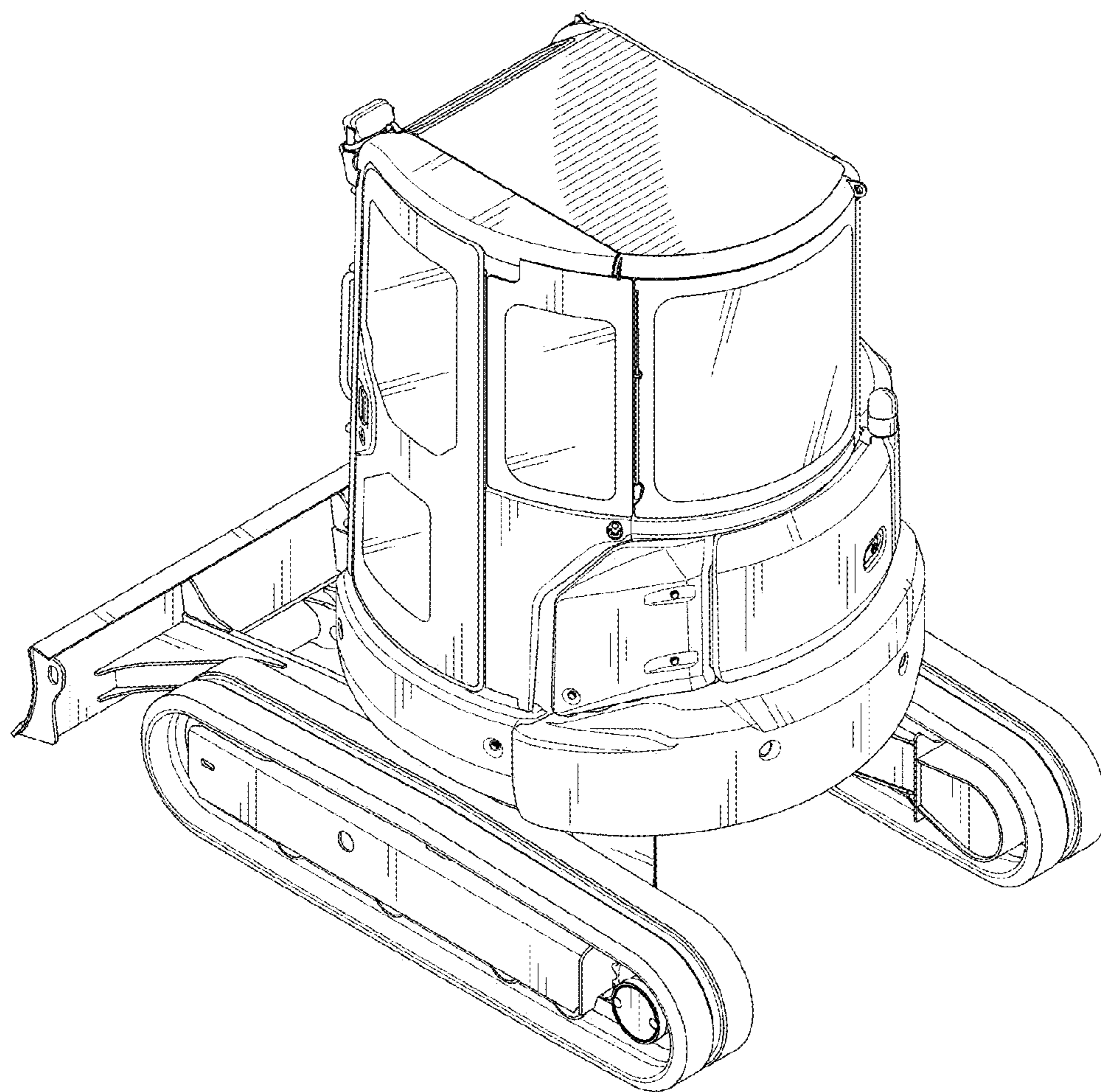


FIG. 2

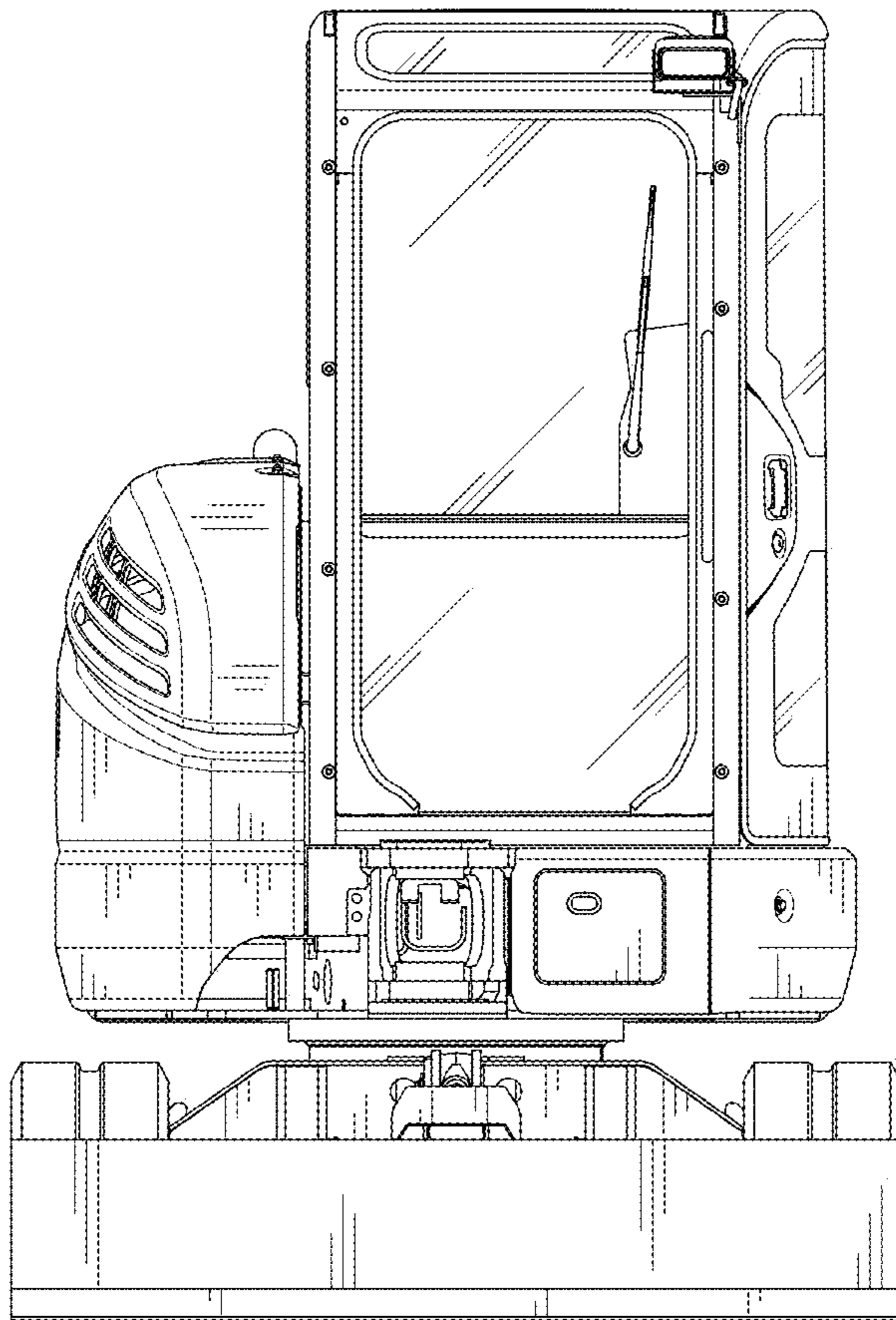


FIG. 3

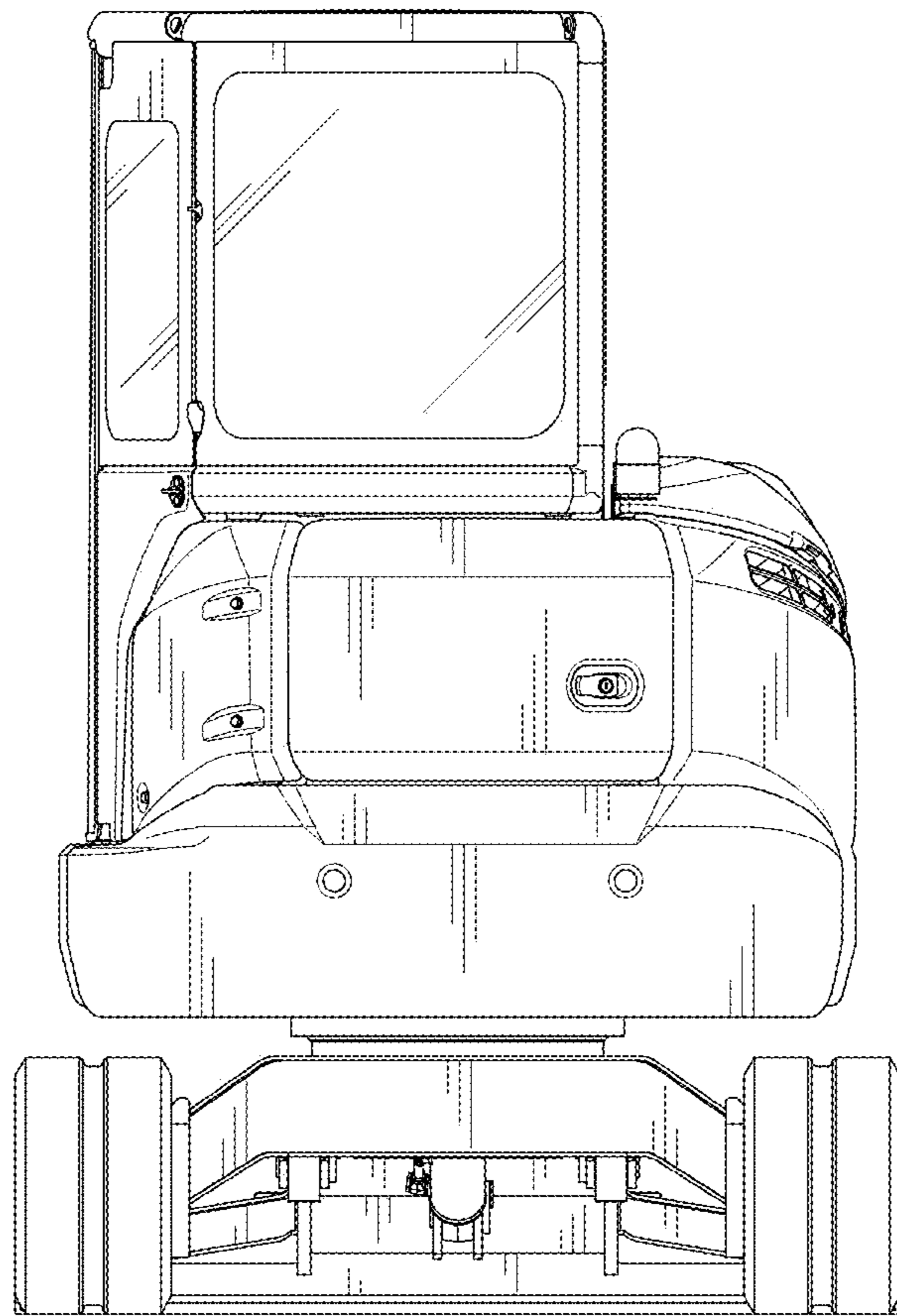


FIG. 4

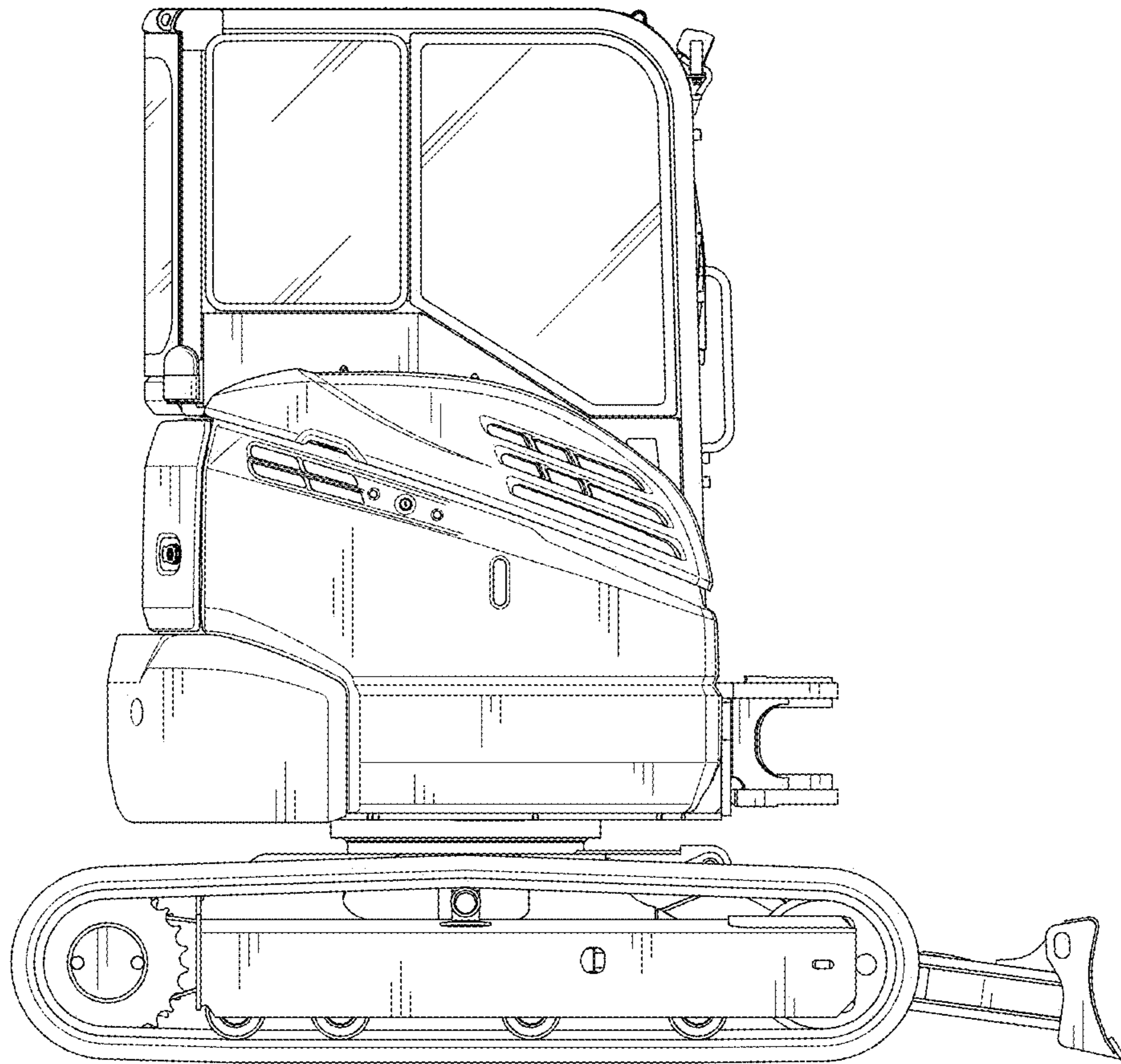


FIG. 5

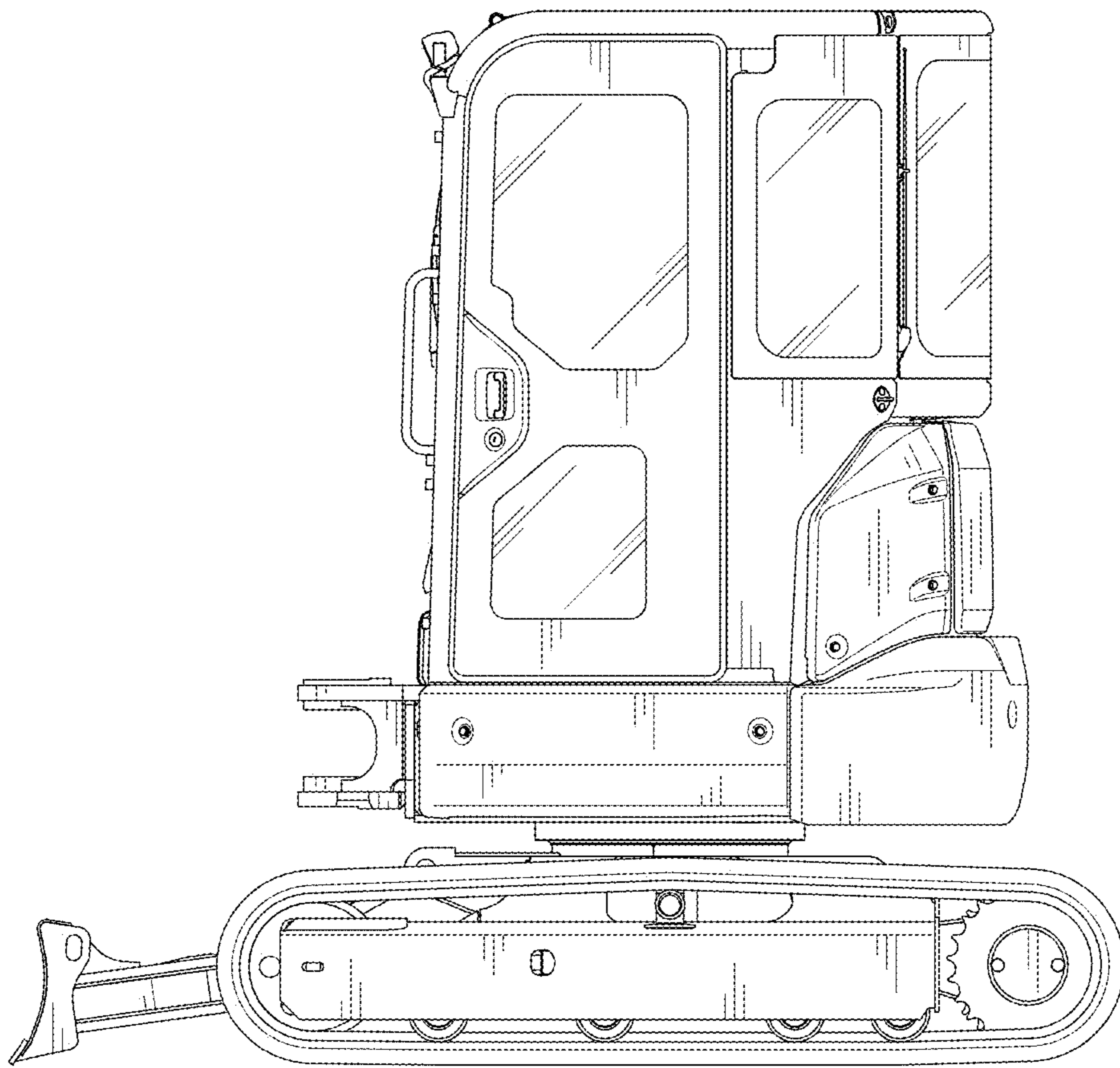


FIG. 6

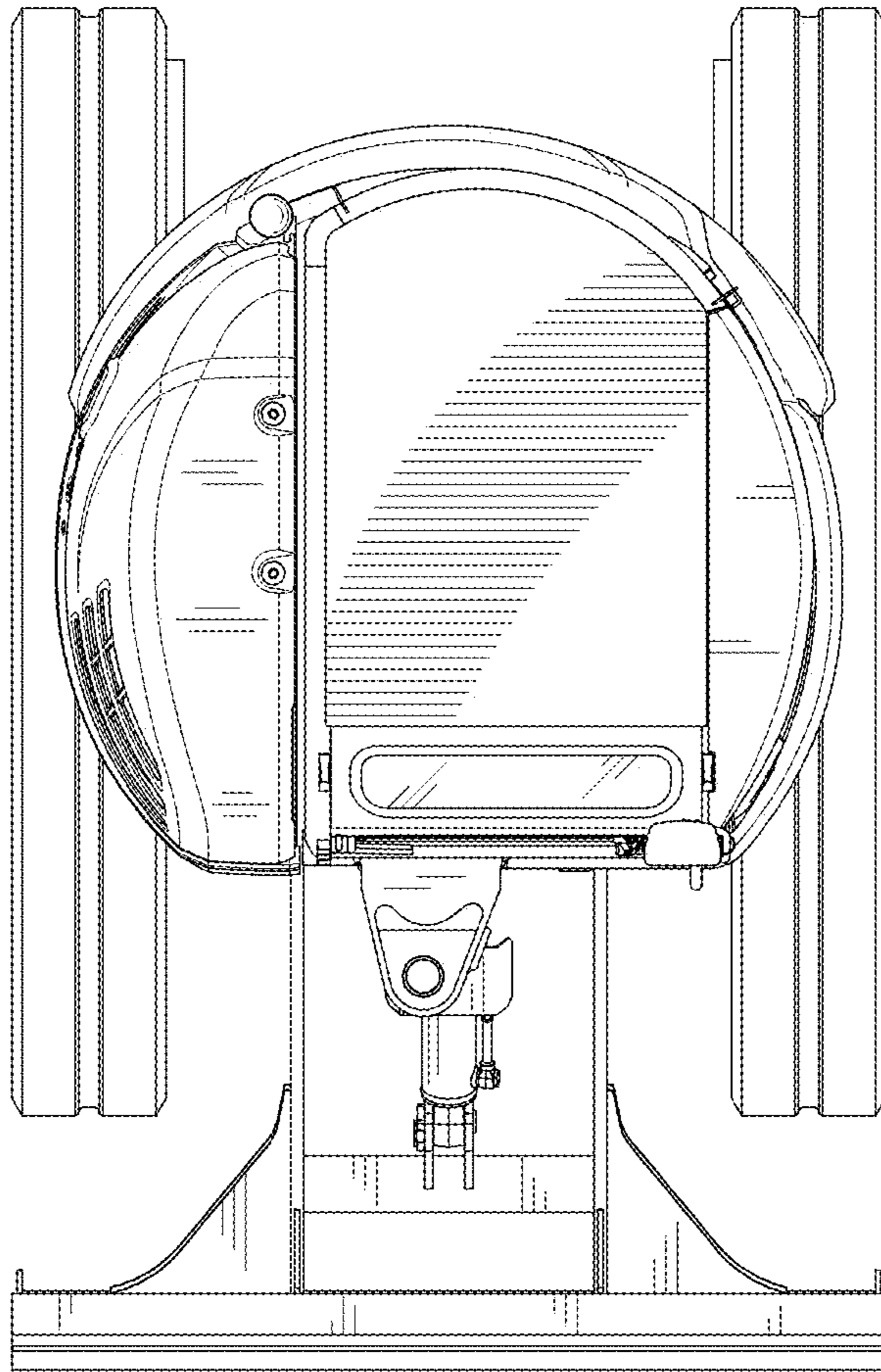


FIG. 7

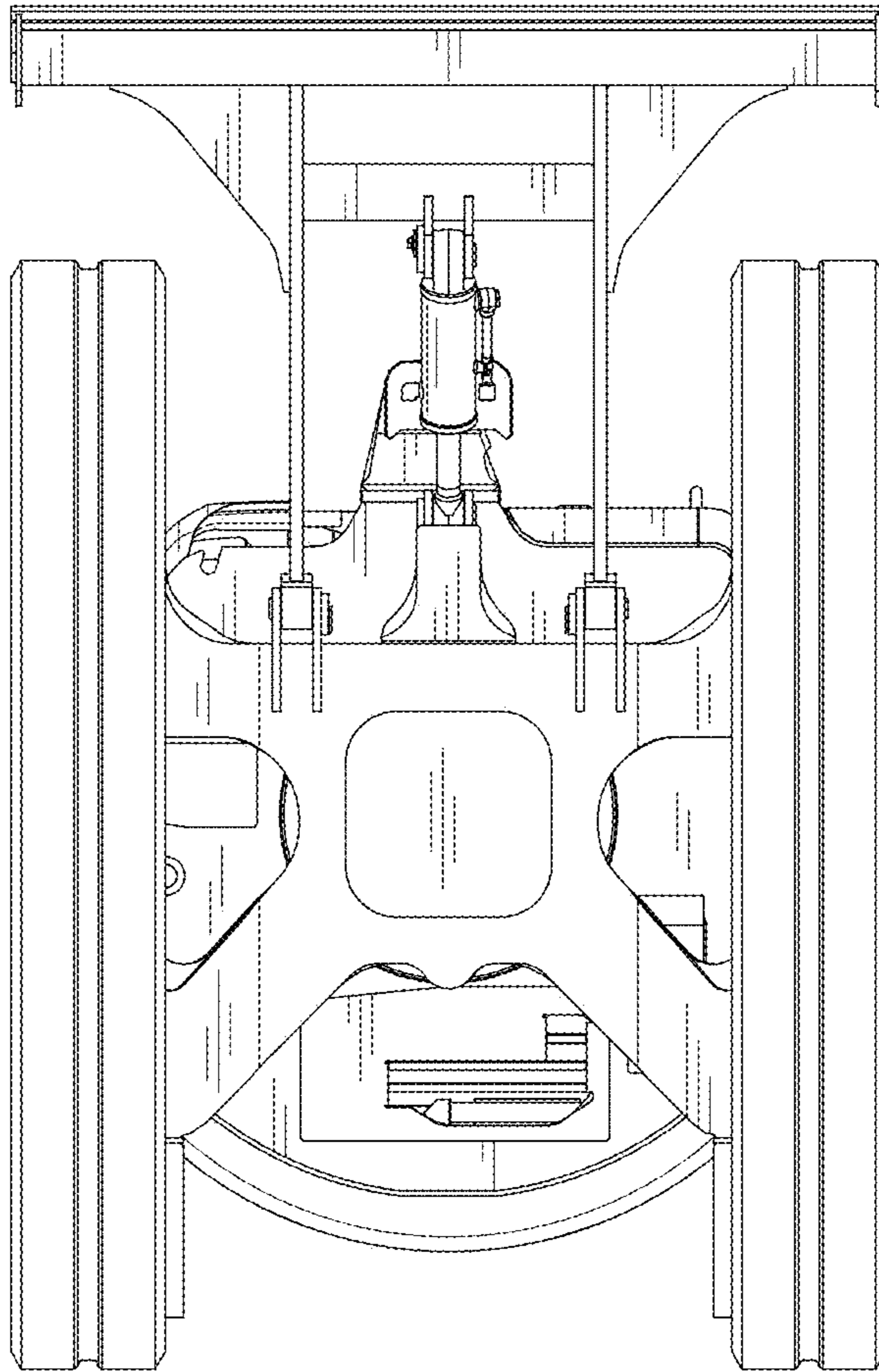


FIG. 8