



US00D750670S

(12) **United States Design Patent**
McCarthy, Jr.

(10) **Patent No.:** **US D750,670 S**
(45) **Date of Patent:** **** Mar. 1, 2016**

(54) **ROCKER ARM**

FOREIGN PATENT DOCUMENTS

(71) Applicant: **Eaton Corporation**, Cleveland, OH
(US)

CN 104153906 A 11/2014
DE 20309702 U1 9/2003

(Continued)

(72) Inventor: **James E. McCarthy, Jr.**, Kalamazoo,
MI (US)

OTHER PUBLICATIONS

U.S. Appl. No. 61/082,575, filed Jul. 22, 2008, 20 Pages.

(Continued)

(73) Assignee: **Eaton Corporation**, Cleveland, OH
(US)

Primary Examiner — T. Chase Nelson

Assistant Examiner — Ania Aman

(**) Term: **14 Years**

(74) *Attorney, Agent, or Firm* — GTC Law Group LLP & Affiliates

(21) Appl. No.: **29/446,396**

(57) **CLAIM**

I claim the ornamental design for a rocker arm, as shown and described.

(22) Filed: **Feb. 22, 2013**

DESCRIPTION

(51) **LOC (10) Cl.** **15-01**

(52) **U.S. Cl.**

USPC **D15/5**

(58) **Field of Classification Search**

USPC D15/1-6; 123/90.16, 90.39, 44

CPC F01L 1/42; F01L 1/24; F01L 1/18;

F01L 1/053

See application file for complete search history.

FIG. 1 is a perspective view from above showing a rocker arm according to an embodiment of our new design.

FIG. 2 is a perspective view from below, showing the rocker arm of FIG. 1.

FIG. 3 is a plan view from above, showing of the rocker arm of FIGS. 1-2.

FIG. 4 is a plan view from below, showing the rocker arm of FIGS. 1-3.

FIG. 5 is a side elevational view from a first side, showing the rocker arm of FIGS. 1-4.

FIG. 6 is a side elevational view from a second side, showing the rocker arm of FIGS. 1-5.

FIG. 7 is an elevational view from a first end, showing the rocker arm of FIGS. 1-6; and,

FIG. 8 is an elevational view from a second end, showing the rocker arm of FIGS. 1-7.

The features are shown in the various figures. The broken lines shown in the views depict environmental subject matter only and form no part of the claimed design.

This is a unique design for engine rocker arms that are designed to fit around an obstruction.

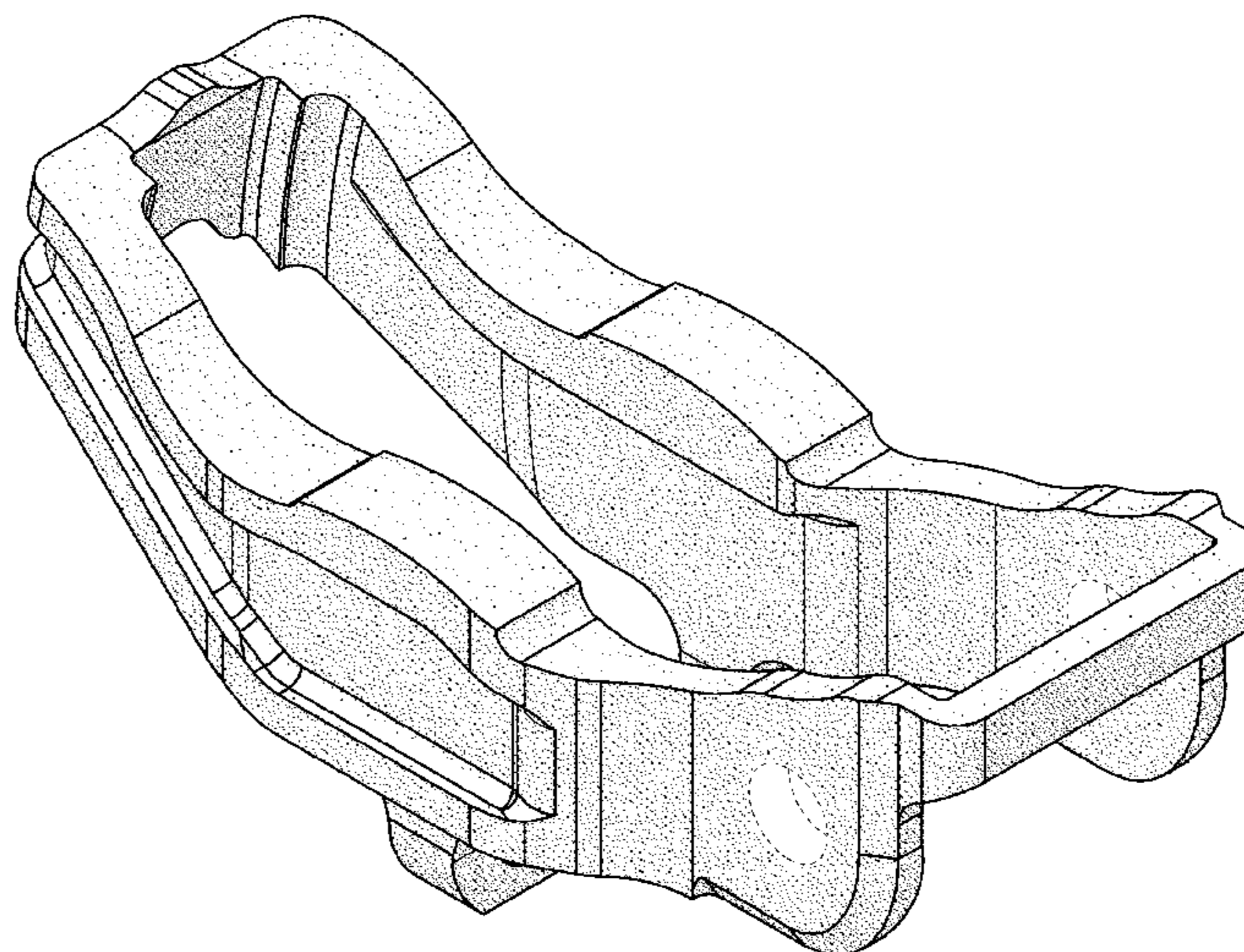
(56) **References Cited**

U.S. PATENT DOCUMENTS

2,573,522 A	10/1951	Watt
2,694,389 A	11/1954	Turkish
3,332,405 A	7/1967	Haviland et al.
4,376,447 A	3/1983	Chumley
4,491,010 A	1/1985	Brandt et al.
4,762,096 A	8/1988	Kamm et al.
4,788,947 A	12/1988	Edelmayer
4,858,886 A	8/1989	Tatara
4,873,949 A	10/1989	Fujiyoshi et al.
4,942,853 A	7/1990	Konno
4,969,352 A	11/1990	Sellnau

(Continued)

1 Claim, 7 Drawing Sheets



(56)

References Cited

U.S. PATENT DOCUMENTS

4,995,281 A 2/1991 Allor et al.
 5,103,779 A 4/1992 Hare
 5,320,795 A 6/1994 Mitchell et al.
 5,367,904 A 11/1994 Sellnau
 5,660,153 A 8/1997 Hampton et al.
 5,769,043 A 6/1998 Nitkiewicz
 6,057,692 A 5/2000 Allmendinger et al.
 6,178,997 B1 1/2001 Adams et al.
 6,318,342 B1 11/2001 Simon et al.
 6,469,500 B1 10/2002 Schmitz et al.
 6,476,599 B1 11/2002 Czimmek et al.
 6,532,920 B1 3/2003 Sweetnam et al.
 6,550,494 B2 4/2003 Yoneda et al.
 6,557,518 B1 5/2003 Albertson et al.
 6,561,036 B1 5/2003 Gustafsson et al.
 6,575,128 B2 6/2003 Nakamura et al.
 6,598,569 B2 7/2003 Takemura et al.
 6,615,782 B1 9/2003 Hendriksma et al.
 6,633,157 B1 10/2003 Yamaki et al.
 6,668,775 B2 * 12/2003 Harris 123/90.16
 6,691,657 B2 * 2/2004 Hendriksma et al. 123/90.39
 6,769,387 B2 * 8/2004 Hayman et al. 123/90.39
 6,895,351 B2 5/2005 Grumstrup et al.
 6,923,151 B2 8/2005 Kreuter
 6,932,041 B1 8/2005 Riley
 6,973,820 B2 12/2005 Watarai et al.
 6,989,669 B2 1/2006 Low et al.
 7,034,527 B2 4/2006 Low et al.
 7,047,925 B2 5/2006 Hendriksma et al.
 7,051,639 B2 5/2006 Krone et al.
 7,107,950 B2 9/2006 Arinaga et al.
 7,116,097 B2 10/2006 Revankar et al.
 7,117,726 B1 10/2006 Krieger
 7,207,301 B2 4/2007 Hathaway et al.
 7,240,652 B2 * 7/2007 Roerig et al. 123/90.39
 7,259,553 B2 8/2007 Arns, Jr. et al.
 7,305,951 B2 12/2007 Fernandez et al.
 7,307,418 B2 12/2007 Low et al.
 7,318,402 B2 * 1/2008 Harman et al. 123/90.39
 RE40,439 E 7/2008 Brehob et al.
 7,439,733 B2 10/2008 Arns, Jr. et al.
 7,484,487 B2 * 2/2009 Zurface et al. 123/90.39
 7,546,822 B2 6/2009 Murphy et al.
 7,546,827 B1 6/2009 Wade et al.
 7,562,643 B2 7/2009 Akasaka
 7,677,213 B2 3/2010 Deierlein
 7,730,771 B2 6/2010 Ludwig et al.
 7,737,685 B2 6/2010 Low et al.
 7,755,350 B2 7/2010 Arns, Jr. et al.
 7,761,988 B2 * 7/2010 Rorig et al. 29/888.2
 7,854,215 B2 * 12/2010 Rozario et al. 123/90.39
 7,882,814 B2 * 2/2011 Spath et al. 123/90.39
 7,926,455 B2 * 4/2011 Manther et al. 123/90.16
 7,975,662 B2 7/2011 Nakashima et al.
 7,987,826 B2 8/2011 Kwak et al.
 8,082,092 B2 12/2011 Frank et al.
 8,096,170 B2 1/2012 Mayrhofer
 8,151,636 B2 4/2012 Siraky
 8,162,002 B2 4/2012 Pavin et al.
 8,215,275 B2 * 7/2012 Church 123/90.39
 8,240,278 B2 * 8/2012 Jeon et al. 123/90.12
 8,327,750 B2 12/2012 Keller et al.
 8,375,909 B2 * 2/2013 Radulescu et al. 123/90.39
 8,464,677 B2 * 6/2013 Choi et al. 123/90.44
 8,474,425 B2 * 7/2013 Kirbach 123/90.45
 8,505,365 B2 8/2013 Stretch et al.
 8,534,182 B2 9/2013 Keller et al.
 8,555,835 B2 * 10/2013 Patzold et al. 123/90.16
 8,635,980 B2 * 1/2014 Church 123/90.39
 8,656,878 B2 * 2/2014 Moeck 123/90.44
 8,677,958 B2 * 3/2014 Becker et al. 123/90.16
 8,752,513 B2 * 6/2014 Zurface et al. 123/90.16
 8,820,279 B2 * 9/2014 Roussey et al. 123/90.15
 8,915,225 B2 12/2014 Zurface et al.
 2003/0140876 A1 7/2003 Yang et al.

2003/0192497 A1 10/2003 Hendriksma et al.
 2003/0209217 A1 11/2003 Hendriksma et al.
 2003/0217715 A1 * 11/2003 Pierik 123/90.16
 2004/0003789 A1 * 1/2004 Kreuter 123/90.16
 2004/0074459 A1 4/2004 Hayman et al.
 2004/0103869 A1 * 6/2004 Harris 123/90.16
 2005/0016480 A1 1/2005 Ferracin et al.
 2005/0051119 A1 3/2005 Bloms et al.
 2005/0188930 A1 9/2005 Best
 2007/0039573 A1 2/2007 Deierlein
 2007/0113809 A1 5/2007 Harman et al.
 2007/0125329 A1 6/2007 Rohe et al.
 2007/0186890 A1 8/2007 Zurface et al.
 2007/0283914 A1 12/2007 Zurface et al.
 2008/0072854 A1 3/2008 Tochiki et al.
 2008/0127917 A1 6/2008 Riley et al.
 2008/0149059 A1 6/2008 Murphy et al.
 2008/0268388 A1 10/2008 Zanella et al.
 2009/0000882 A1 1/2009 Siebke
 2009/0082944 A1 3/2009 Frank et al.
 2009/0084340 A1 4/2009 Komura et al.
 2009/0090189 A1 4/2009 Villaire
 2009/0228167 A1 9/2009 Waters et al.
 2009/0293597 A1 12/2009 Andrie
 2010/0018482 A1 1/2010 Keller et al.
 2010/0095918 A1 4/2010 Cecur
 2010/0223787 A1 9/2010 Lopez-Crevillen et al.
 2010/0246061 A1 9/2010 Sechi
 2011/0226047 A1 9/2011 Stretch et al.
 2011/0226208 A1 9/2011 Zurface et al.
 2011/0226209 A1 9/2011 Zurface et al.
 2012/0037107 A1 2/2012 Church
 2012/0163412 A1 6/2012 Stretch
 2013/0068182 A1 3/2013 Keller et al.
 2013/0233265 A1 9/2013 Zurface et al.
 2013/0255612 A1 10/2013 Zurface et al.
 2013/0306013 A1 11/2013 Zurface et al.
 2013/0312506 A1 11/2013 Nielsen et al.
 2013/0312681 A1 11/2013 Schultheis et al.
 2013/0312686 A1 11/2013 Zurface et al.
 2013/0312687 A1 11/2013 Zurface et al.
 2013/0312688 A1 11/2013 VanDeusen
 2013/0312689 A1 11/2013 Zurface et al.
 2014/0190431 A1 7/2014 McCarthy, Jr.

FOREIGN PATENT DOCUMENTS

DE 102004017103 A1 10/2005
 DE 102006040410 A1 3/2008
 DE 102006046573 A1 4/2008
 DE 102006057895 A1 6/2008
 DE 102010002109 A1 8/2011
 EP 1662113 A2 5/2006
 EP 1785595 A1 5/2007
 EP 1895111 A1 3/2008
 JP 08154416 A 6/1996
 JP 09329009 A 12/1997
 JP 2000130122 A 5/2000
 JP 2000180304 A 6/2000
 JP 2005098217 A 4/2005
 JP 2008184956 A 8/2008
 JP 2012193724 A 10/2012
 KR 100482854 B1 4/2005
 KR 1020060070014 A 6/2006
 KR 1020080032726 A 4/2008
 KR 1020100130895 A 12/2010
 WO 2007053070 A1 5/2007
 WO 2010011727 A2 1/2010
 WO 2010011727 A3 5/2011
 WO 2011116329 A2 9/2011
 WO 2011116331 A2 9/2011
 WO 2011116329 A3 11/2011
 WO 2011116331 A3 11/2011
 WO 2013159120 A1 10/2013
 WO 2013159121 A1 10/2013
 WO 2013166029 A1 11/2013
 WO 2014071373 A1 5/2014
 WO 2014134601 A1 9/2014
 WO 2014168988 A1 10/2014

(56)

References Cited

FOREIGN PATENT DOCUMENTS

OTHER PUBLICATIONS

U.S. Appl. No. 61/314,194, filed Mar. 16, 2010, 10 pages.
 U.S. Appl. No. 61/314,197, filed Mar. 16, 2010, 9 pages.
 U.S. Appl. No. 61/315,464, filed Mar. 19, 2010, 9 pages.
 U.S. Appl. No. 61/636,277, filed Apr. 20, 2012, 27 pages.
 U.S. Appl. No. 61/637,786, filed Apr. 24, 2012, 15 pages.
 U.S. Appl. No. 61/640,705, filed Apr. 30, 2012, 6 pages.
 U.S. Appl. No. 61/640,707, filed Apr. 30, 2012, 4 pages.
 U.S. Appl. No. 61/640,709, filed Apr. 30, 2012, 2 pages.
 U.S. Appl. No. 61/640,713, filed Apr. 30, 2012, 2 pages.
 U.S. Appl. No. 61/722,765, filed Nov. 5, 2012, 23 pages.
 U.S. Appl. No. 61/768,214, filed Feb. 22, 2013, 33 pages.
 U.S. Appl. No. 61/771,716, filed Mar. 1, 2013, 10 pages.
 U.S. Appl. No. 61/771,721, filed Mar. 1, 2013, 13 pages.
 U.S. Appl. No. 61/771,769, filed Mar. 1, 2013, 51 pages.
 AVL Group, "Pressure Sensors for Combustion Analysis", AVL Product Catalog—Edition 2011, AVL Group, Graz, Austria, https://www.avl.com/c/document...library/get_file?p_1_id=10473&folderId=49895&name=DLFE-1821.pdf&version=1.1 [accessed Aug. 30, 2013], Jan. 2011, pp. 1-123.
 Citizen Finetech Miyota Co., Ltd, "Combustion Pressure Sensors", Citizen Finetech Miyota Co., LTD, Japan, cfm.citizen.co.jp/english/product/pressure_sensor.html [accessed Aug. 30, 2013]. 2013, pp. 1-3.
 Ngo, Ing H. , "Pressure Measurement in Combustion Engines", Microsensor & Actuator Technology Center, Berlin Germany, http://www-mat.ee.tu-berlin.de/research/sic_sens/sic_sen3.htm, [accessed Aug. 30, 2013], 3 pages.
 International Application Serial No. PCT/US2009/051372, International Preliminary Report on Patentability issued Apr. 12, 2011, Eaton Corporation, 6 pages.
 International Application Serial No. PCT/US2009/051372, International Search Report and Written Opinion mailed Sep. 9, 2009, Eaton Corporation, 7 pages.
 International Application Serial No. PCT/US2011/028677, International Search Report and Written Opinion mailed Oct. 7, 2011, Eaton Corporation, 9 pages.
 International Application Serial No. PCT/US2011/029061, International Preliminary Report on Patentability issued Sep. 25, 2012, Eaton Corporation, 6 pages.

International Application Serial No. PCT/US2011/029061, International Search Report and Written Opinion mailed Sep. 21, 2011, Eaton Corporation, 8 pages.
 International Application Serial No. PCT/US2011/029065, International Preliminary Report on Patentability issued Sep. 25, 2012, Eaton Corporation, 6 pages.
 International Application Serial No. PCT/US2011/029065, International Search Report and Written Opinion mailed Sep. 21, 2011, Eaton Corporation, 8 pages.
 International Application Serial No. PCT/US2013/029017, International Search Report and Written Opinion mailed Jun. 4, 2013, Eaton Corporation, 7 pages.
 International Application Serial No. PCT/US2013/037665, International Search Report and Written Opinion mailed Aug. 7, 2013, Eaton Corporation, 12 pages.
 International Application Serial No. PCT/US2013/037667, International Search Report and Written Opinion mailed Sep. 25, 2013, Eaton Corporation, 16 pages.
 International Application Serial No. PCT/US2013/038896, International Search Report and Written Opinion mailed Aug. 12, 2013, Eaton Corporation, 16 pages.
 International Application Serial No. PCT/US2013/068503, International Search Report and Written Opinion mailed Feb. 13, 2014, Eaton Corporation, 24 Pages.
 Rashidi, Manoochehr , "In-Cylinder Pressure and Flame Measurement", Engine Research Center, Shiraz University, Iran, prepared for the 3rd Conference on IC Engines, Tehran, 2004, 21 slides.
 Shahrudi, Kamran , "Robust Design Evolution and Impact of In-Cylinder Pressure Sensors to Combustion Control and Optimization: A Systems and Strategy Perspective", Massachusetts Institute of Technology, <http://dspace.mit.edu/bitstream/handle/1721.1/44700/297407259.pdf?...1>, Jun. 2008, 123 pages.
 Sussex University, "In-Cylinder Pressure and Analysis", Sussz University, East Sussex, United Kingdom, http://www.sussex.ac.uk/Users/tafb8/eti/eti_17_InCylinderMeasurement.pdf, [accessed Aug. 30, 2013], pp. 1-121.
 U.S. Appl. No. 14/188,339, filed Feb. 24, 2014, pending.
 "International Application Serial No. PCT/US2014/019870, International Search Report and Written Opinion mailed Jun. 3, 2014", Eaton Corporation, 11 Pages.
 "International Application Serial No. PCT/US2014/033395, International Search Report and Written Opinion mailed Aug. 11, 2014", Eaton Corporation, 19 pages.

* cited by examiner

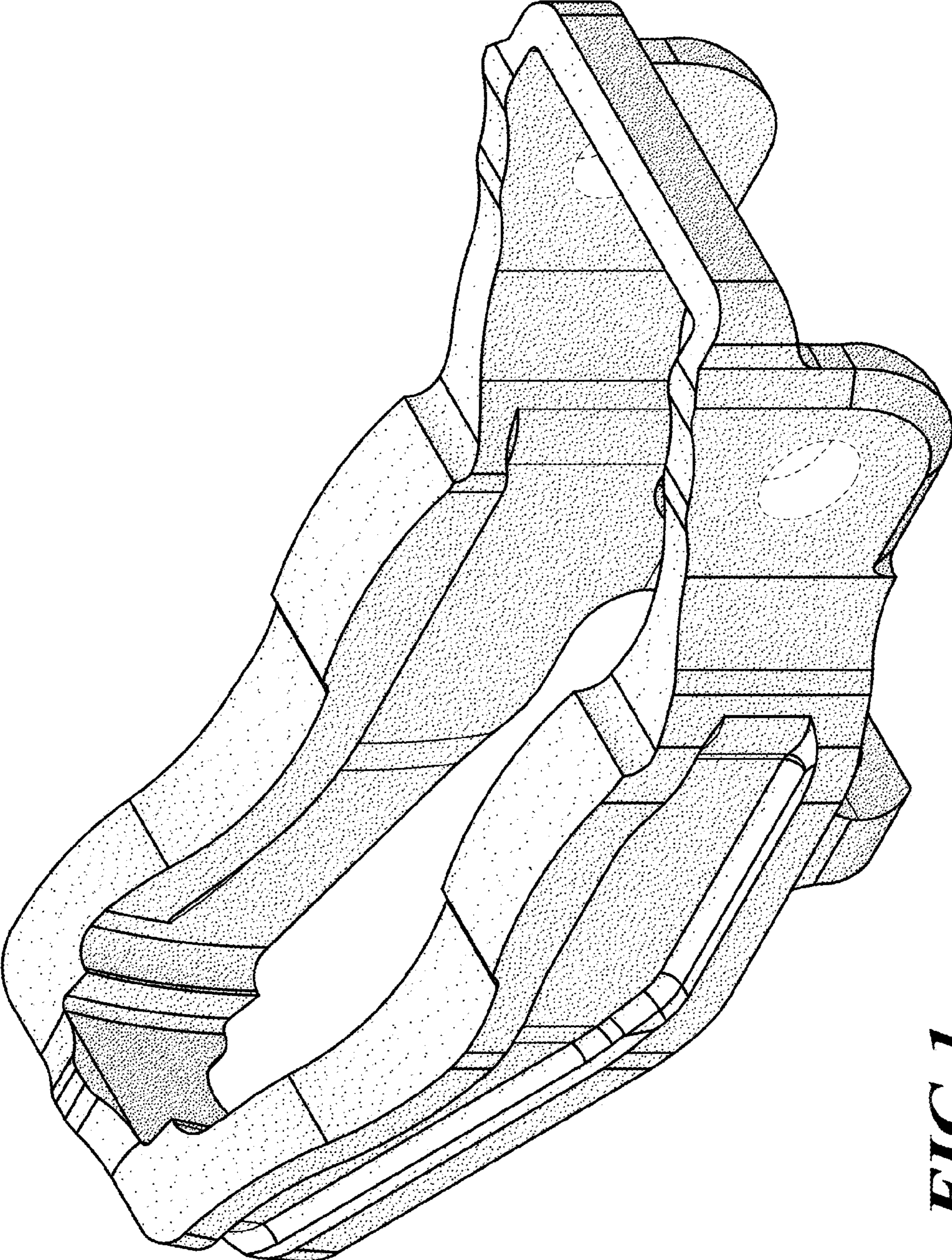


FIG. 1

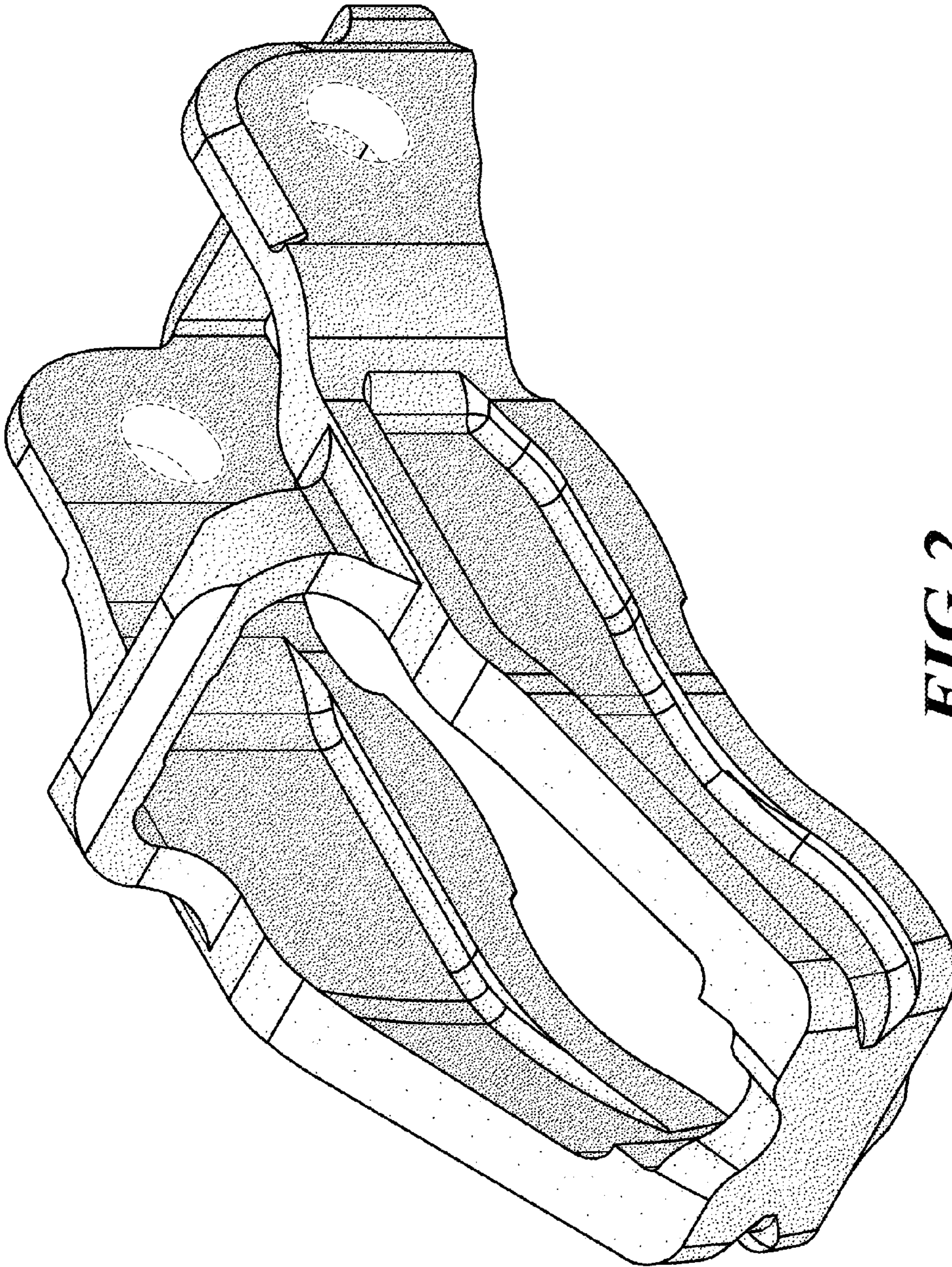


FIG. 2

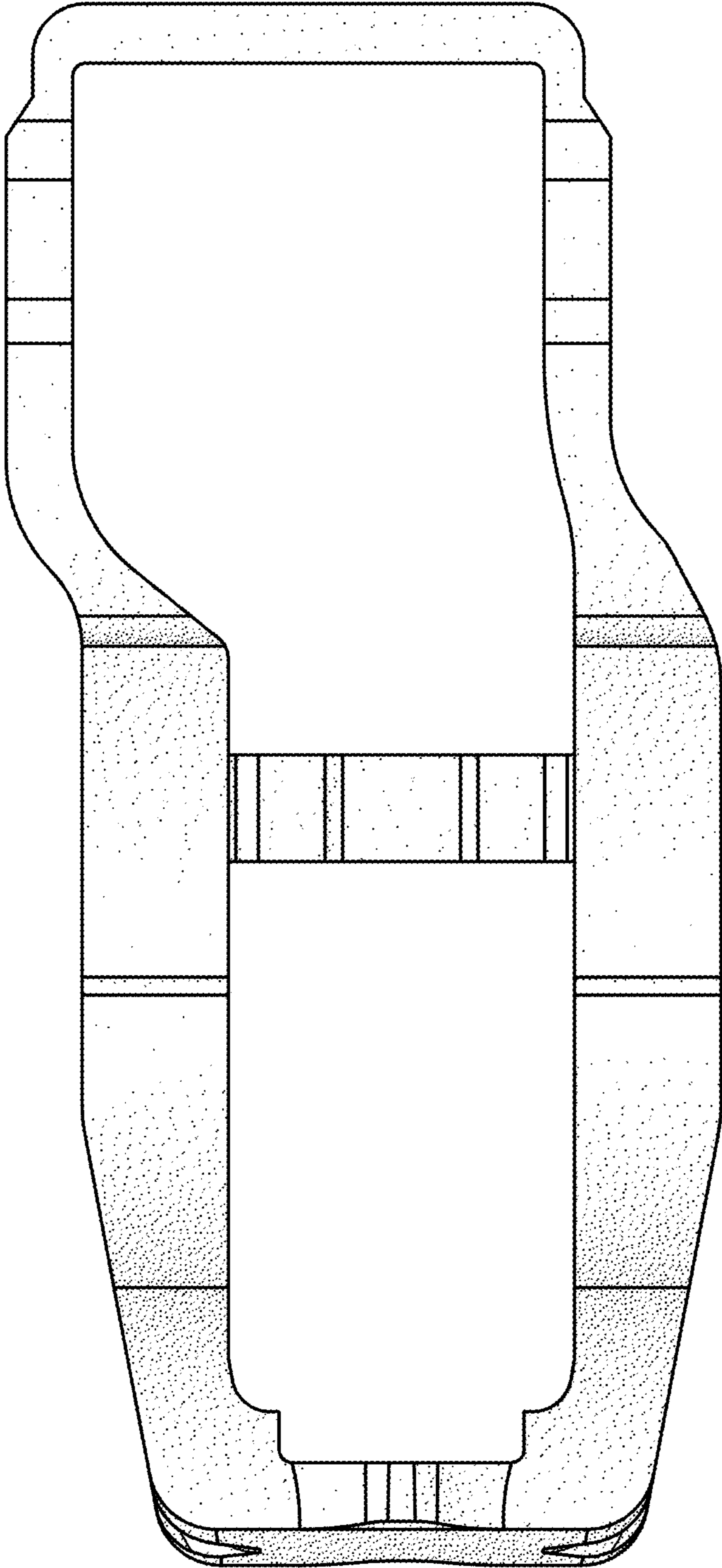


FIG.3

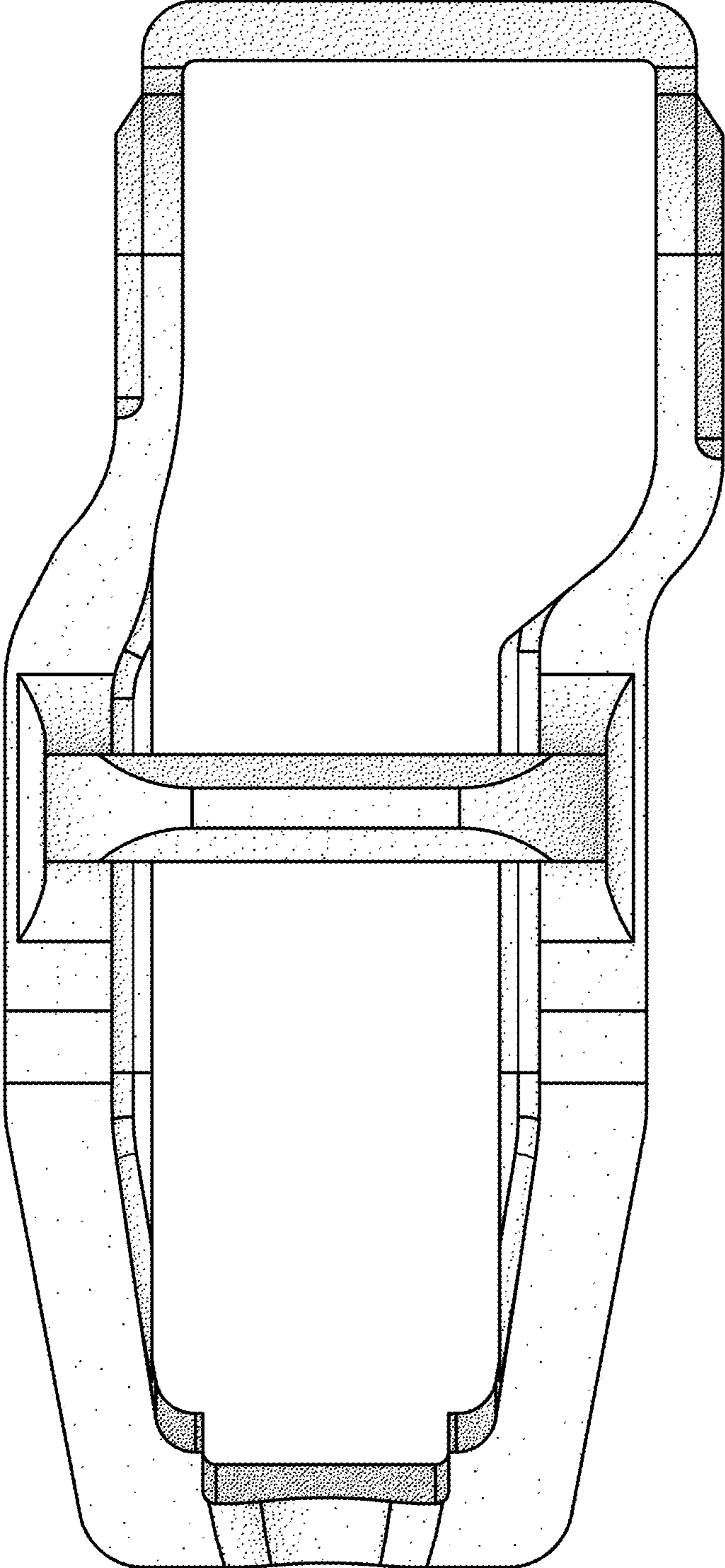


FIG.4

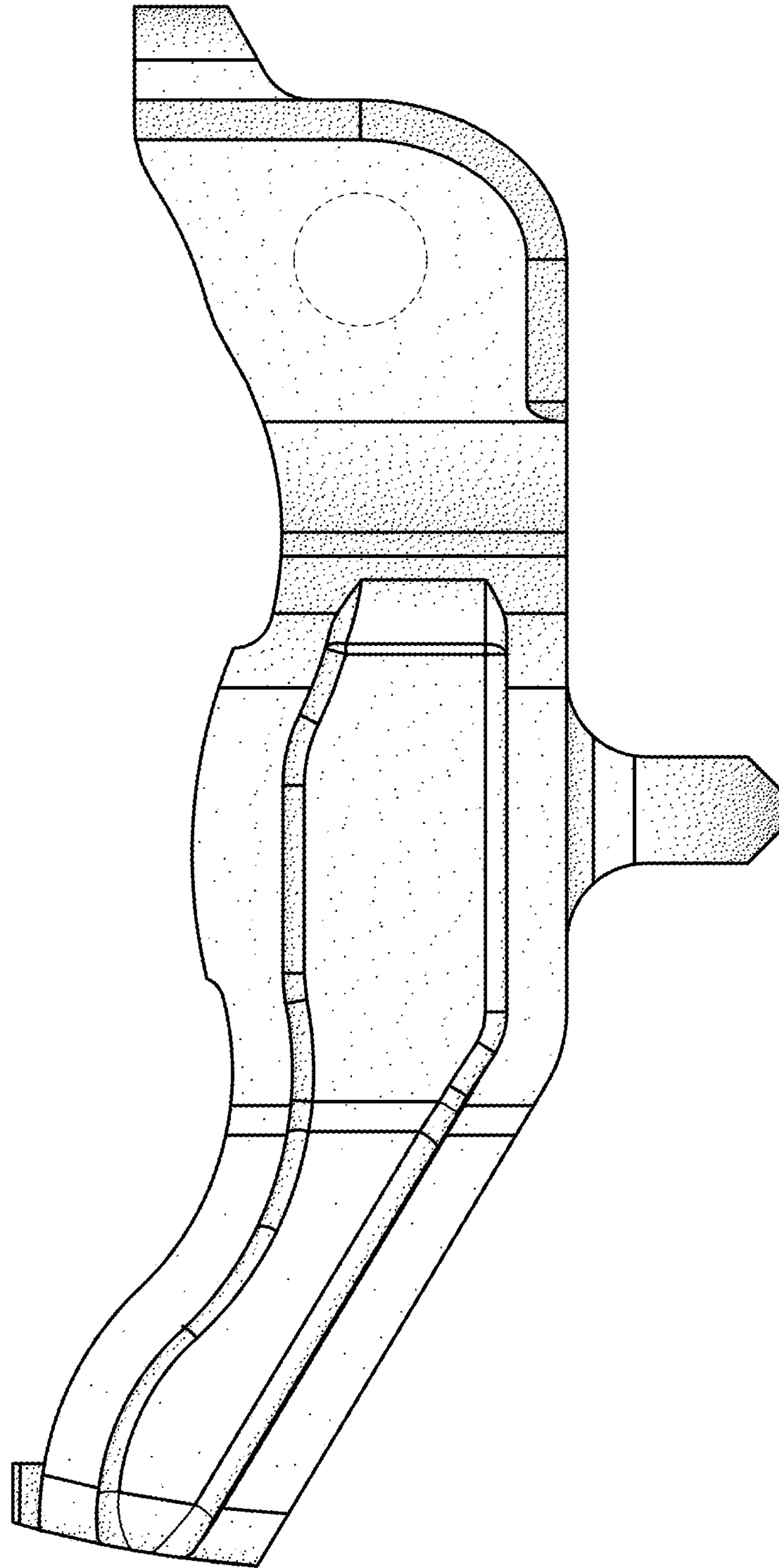


FIG. 5

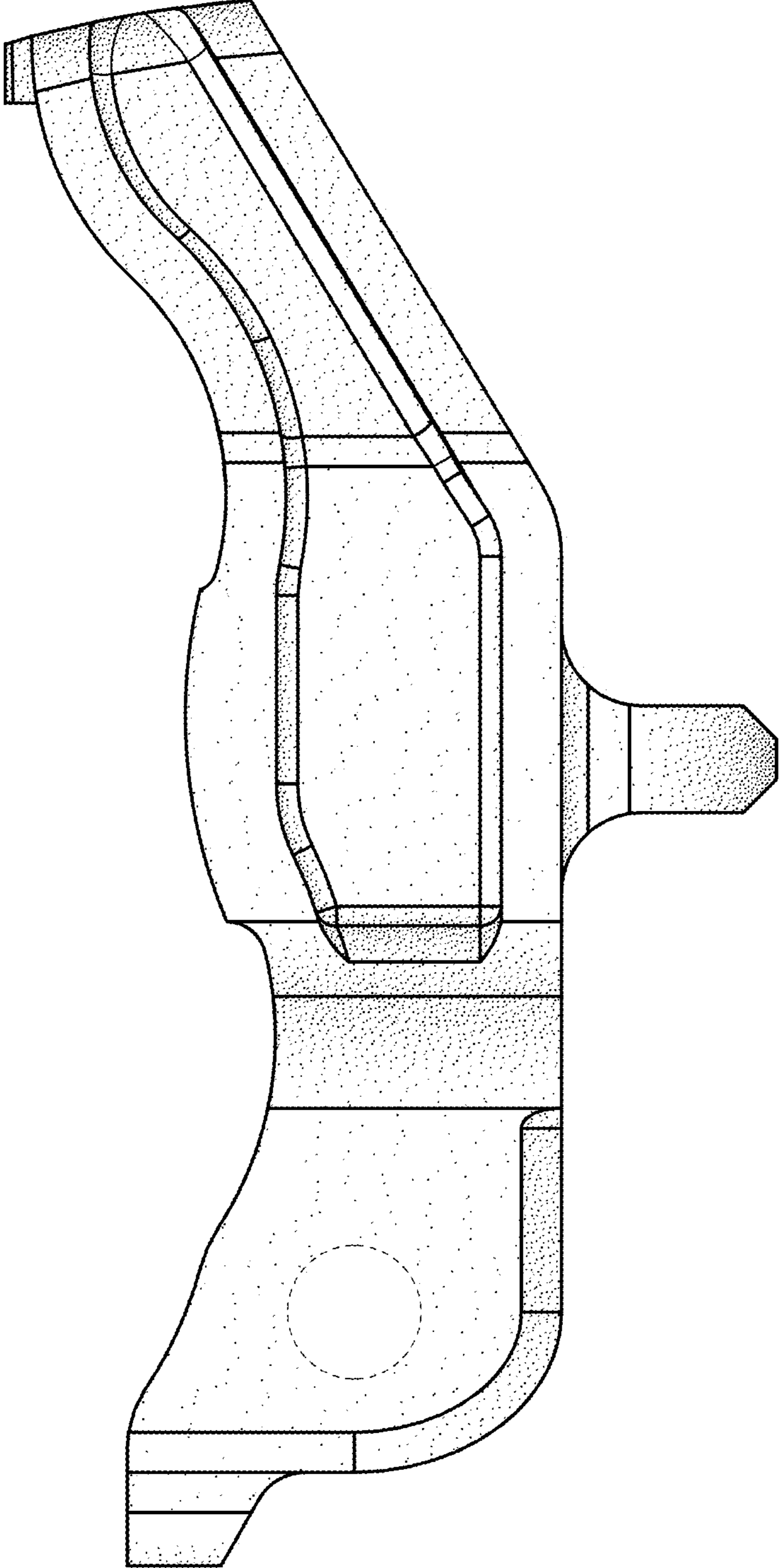


FIG. 6

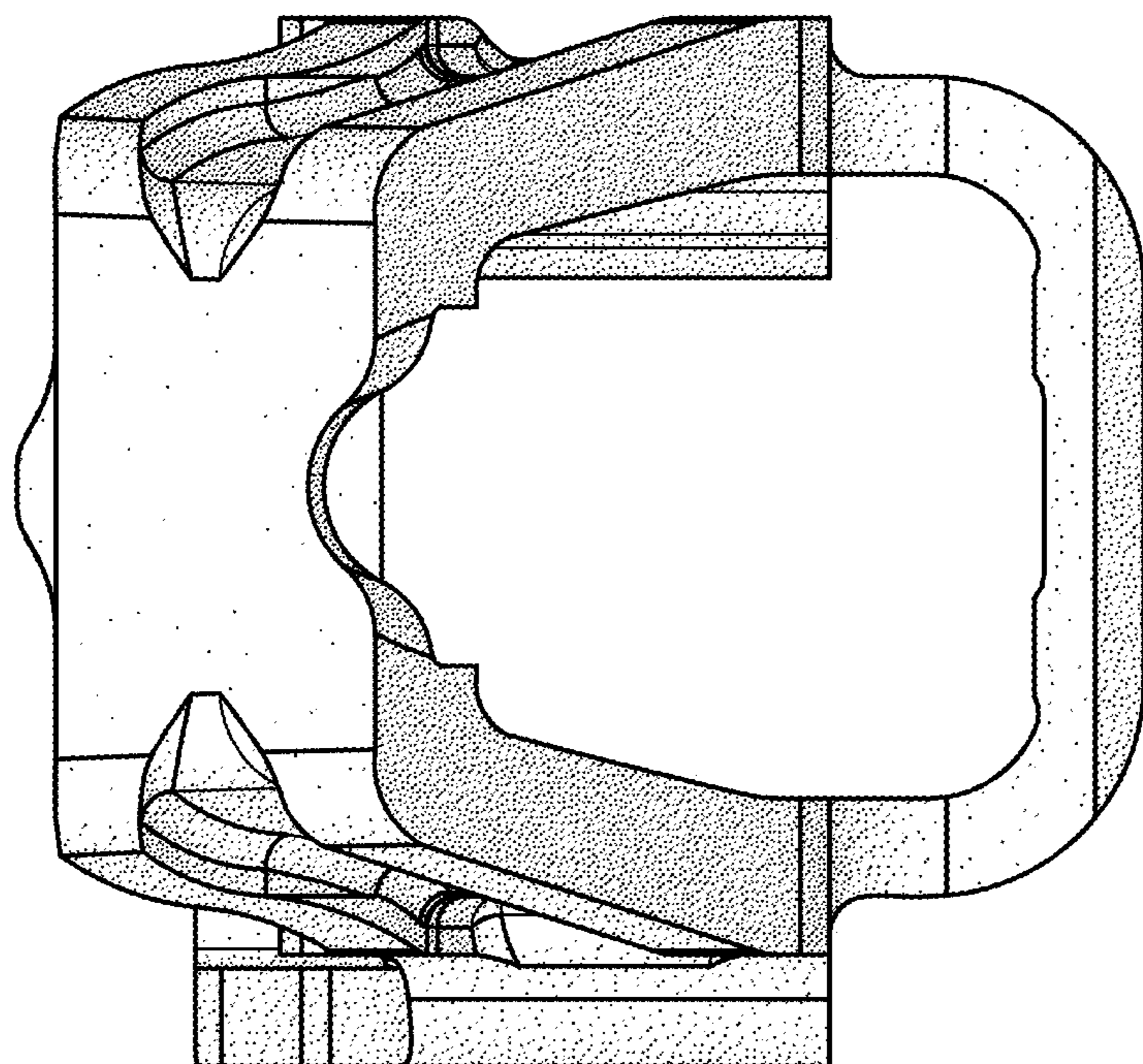


FIG. 8

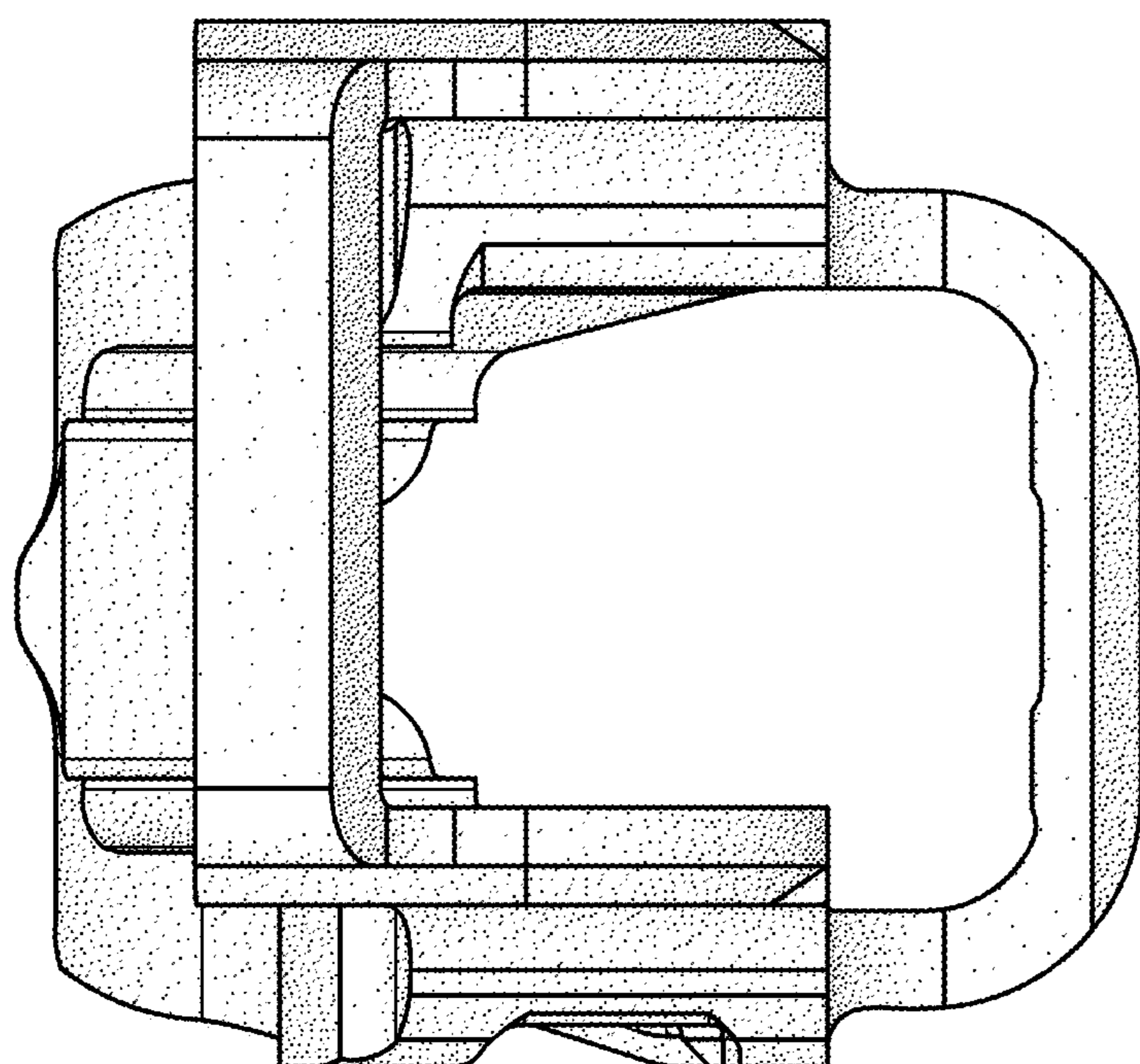


FIG. 7