

US00D750661S

(12) **United States Design Patent**  
**Funnell, II et al.**

(10) **Patent No.:** **US D750,661 S**  
(45) **Date of Patent:** **\*\* Mar. 1, 2016**

- (54) **KITCHEN APPLIANCE WITH  
COMPUTER-GENERATED GRAPHICAL  
USER INTERFACE**
- (71) Applicant: **BSH Home Appliances Corporation,**  
Irvine, CA (US)
- (72) Inventors: **Richard W. Funnell, II,** Huntington  
Beach, CA (US); **Andy Mok,** Stanton,  
CA (US)
- (73) Assignee: **BSH Home Appliances Corporation,**  
Irvine, CA (US)
- (\*\*) Term: **14 Years**
- (21) Appl. No.: **29/465,309**
- (22) Filed: **Aug. 27, 2013**
- (51) **LOC (10) Cl.** ..... **14-04**
- (52) **U.S. Cl.**  
USPC ..... **D14/487**
- (58) **Field of Classification Search**  
USPC ..... D14/485-495  
CPC ..... G06F 3/0482; G06F 3/04842; G06F  
3/04817; G06F 3/048; G06F 17/211; G06F  
17/212  
See application file for complete search history.

- (56) **References Cited**  
U.S. PATENT DOCUMENTS  
D435,561 S \* 12/2000 Pettigrew et al. .... D14/487  
6,345,174 B1 \* 2/2002 Usui et al. .... 455/154.1

- D586,351 S \* 2/2009 Gelman et al. .... D14/485
- D596,646 S \* 7/2009 Wani ..... D14/488
- D602,944 S \* 10/2009 Barkhouse et al. .... D14/488
- D614,197 S \* 4/2010 Casagrande ..... D14/487
- D633,517 S \* 3/2011 Weir et al. .... D14/487
- D682,864 S \* 5/2013 Kanalakakis, Jr. .... D14/487
- D716,836 S \* 11/2014 Pai ..... D14/487
- D721,918 S \* 2/2015 Glassman et al. .... D7/406
- D739,417 S \* 9/2015 Laverack ..... D14/485
- D740,305 S \* 10/2015 Matas ..... D14/485
- D741,358 S \* 10/2015 Seo ..... D14/487
- 2008/0072152 A1 \* 3/2008 Crow et al. .... 715/716

\* cited by examiner

*Primary Examiner* — Kevin Rudzinski  
*Assistant Examiner* — John Reickel

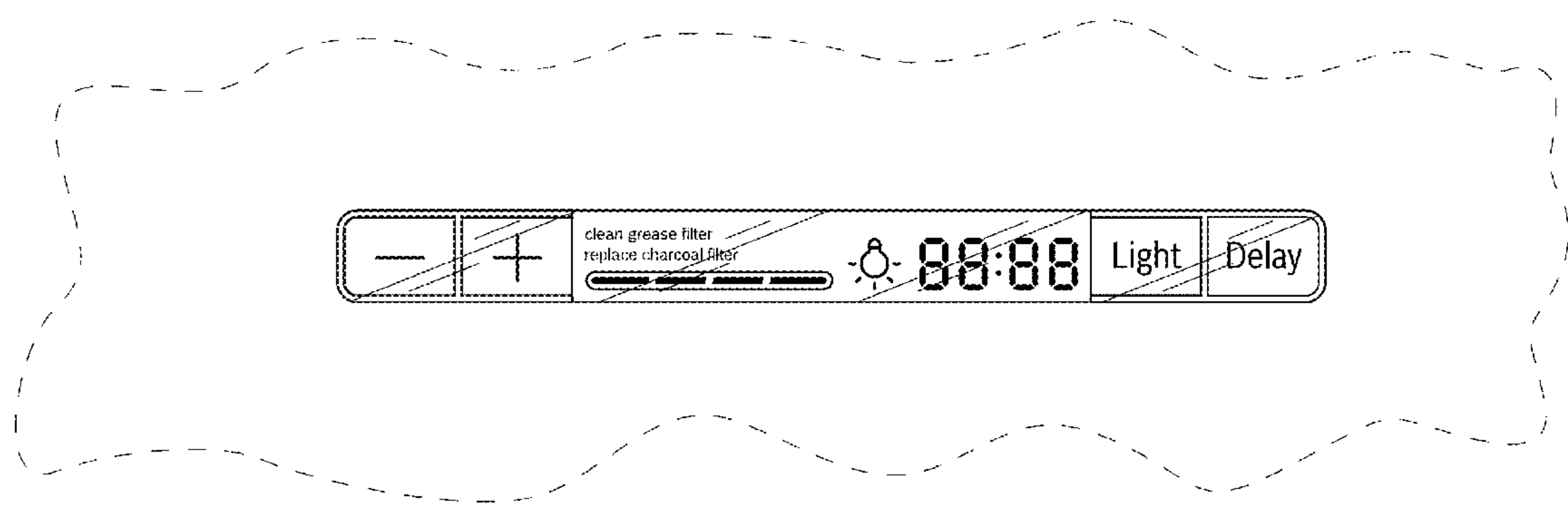
(74) *Attorney, Agent, or Firm* — James E. Howard; Andre Pallapies

(57) **CLAIM**  
The ornamental design for a kitchen appliance with computer-generated graphical user interface, as shown and described.

**DESCRIPTION**

FIG. 1 is a perspective view of a kitchen appliance with computer-generated graphical user interface according to our new ornamental design; and, FIG. 2 is an enlarged front view of a portion thereof. The broken lines represent environment or structure and do not form any part of the claimed design. Throughout the drawings, various views may not be provided, as the components in these views are unornamented or the ornamentation in these views is simply unclaimed.

**1 Claim, 2 Drawing Sheets**



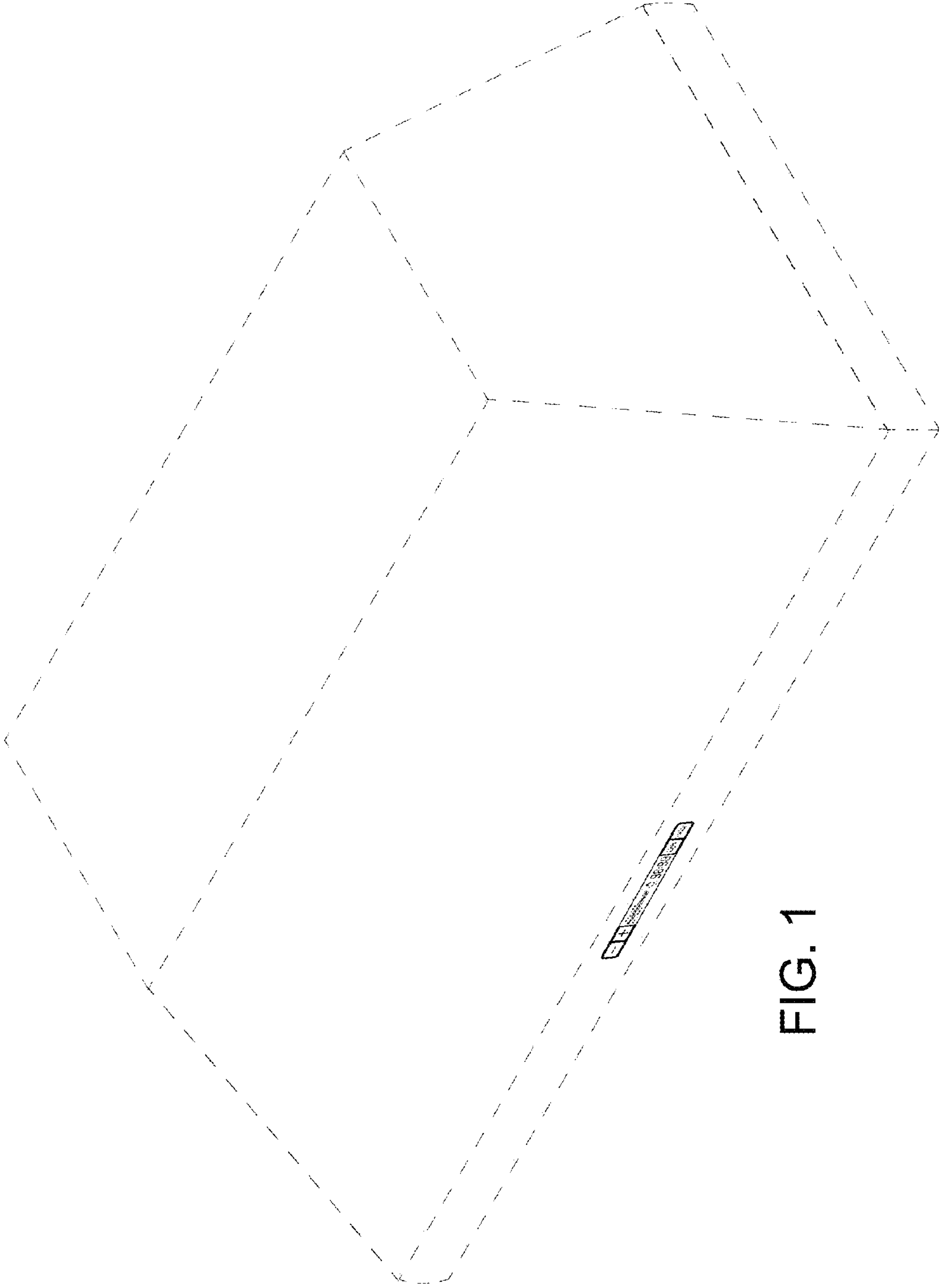


FIG. 1

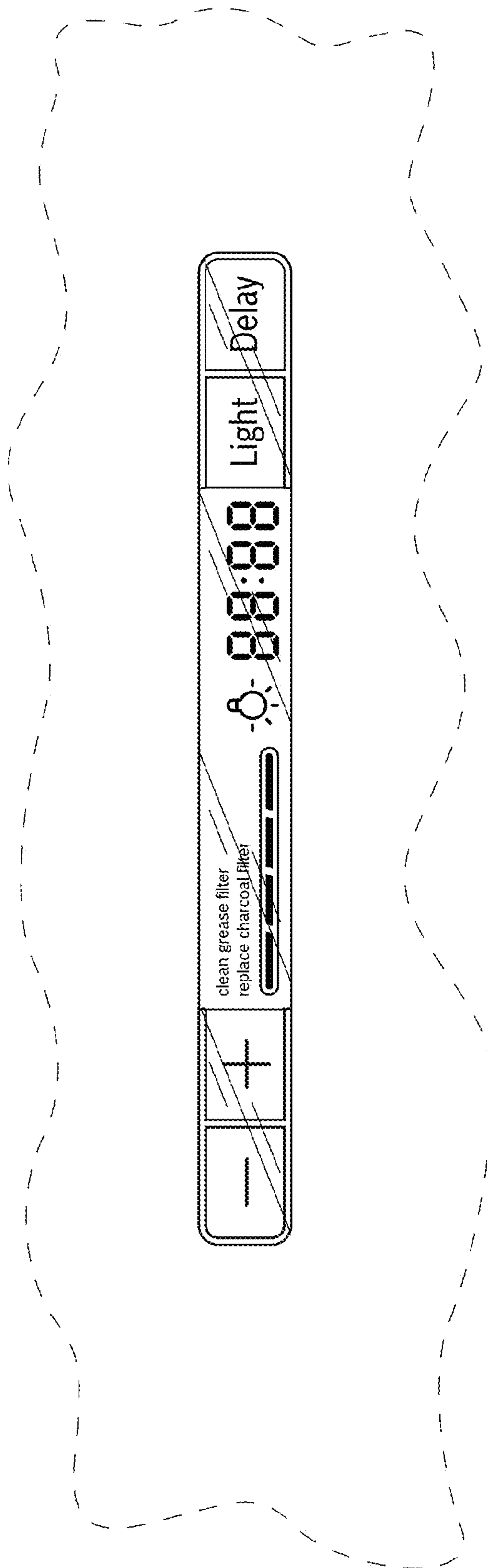


FIG. 2