



US00D750636S

(12) **United States Design Patent**
Lee et al.

(10) **Patent No.:** **US D750,636 S**
(45) **Date of Patent:** **** Mar. 1, 2016**

(54) **MULTIMEDIA TERMINAL WITH
TRANSITIONAL GRAPHICAL USER
INTERFACE**

(71) Applicant: **LG Electronics Inc.**, Seoul (KR)

(72) Inventors: **Kunho Lee**, Seoul (KR); **Myoungyeon Kim**, Seoul (KR); **Jihye Min**, Seoul (KR); **Yongdeok Lee**, Gyeonggi-do (KR)

(73) Assignee: **LG Electronics Inc.**, Seoul (KR)

(**) Term: **14 Years**

(21) Appl. No.: **29/456,299**

(22) Filed: **May 30, 2013**

(30) **Foreign Application Priority Data**

Nov. 30, 2012 (KR) 30-2012-0057696

(51) **LOC (10) Cl.** **14-04**

(52) **U.S. Cl.**
USPC **D14/485**

(58) **Field of Classification Search**
USPC D14/485-495
CPC G06F 3/0482; G06F 3/04842; G06F
3/04817; G06F 3/048; G06F 17/211; G06F
17/212

See application file for complete search history.

(56) **References Cited**

U.S. PATENT DOCUMENTS

D683,743 S * 6/2013 Oshima et al. D14/486
D701,513 S * 3/2014 Park et al. D14/485
D712,916 S * 9/2014 Lee et al. D14/486

(Continued)

Primary Examiner — Kevin Rudzinski

Assistant Examiner — John Reickel

(74) *Attorney, Agent, or Firm* — Morgan, Lewis & Bockius LLP

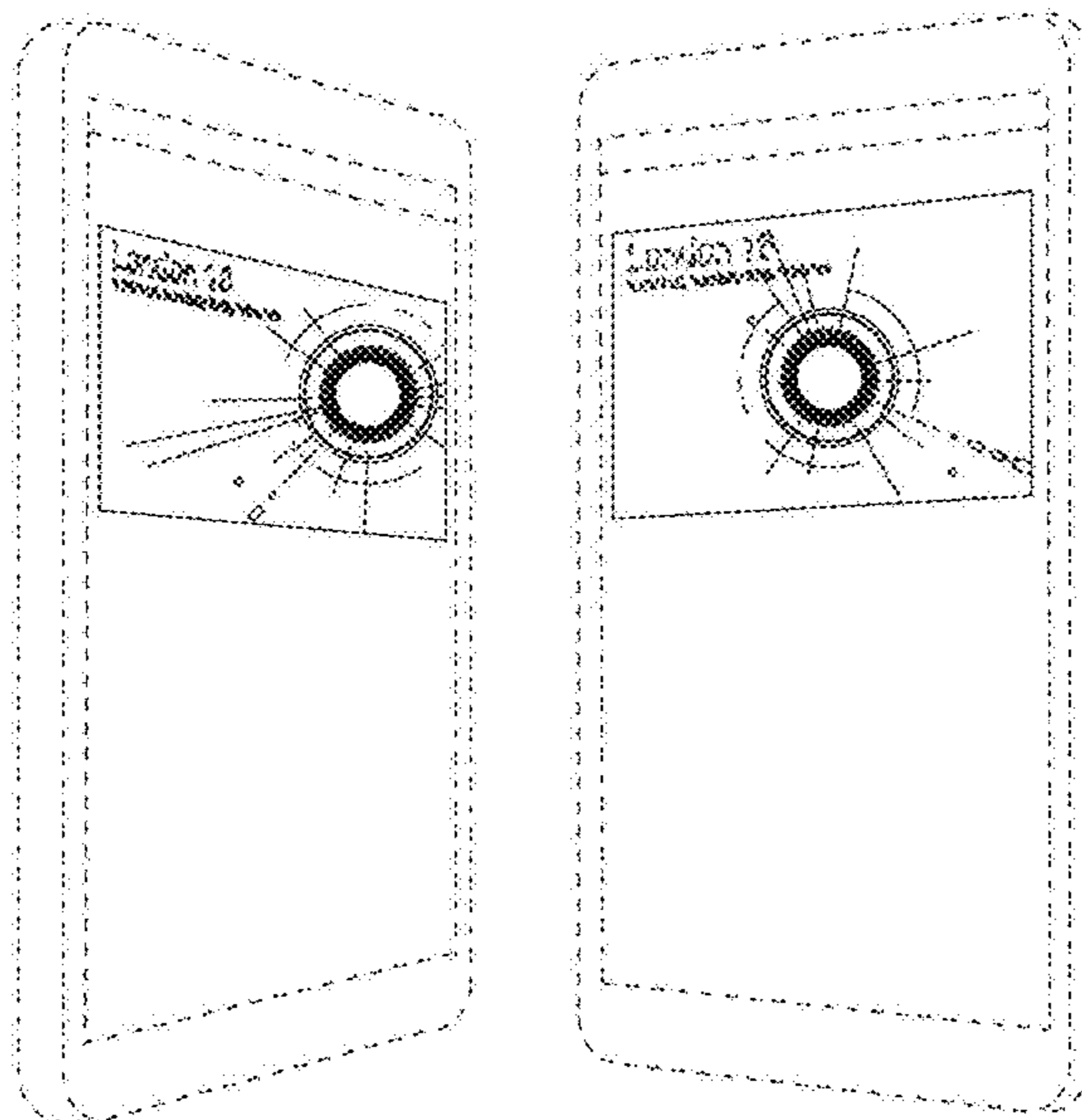
(57) **CLAIM**

The ornamental design for a multimedia terminal with transitional graphical user interface, as shown and described.

DESCRIPTION

FIG. 1 is a front view in a first image of a multimedia terminal with transitional graphical user interface having a dynamic image depending on tilt angle showing our new design; FIG. 2 is a perspective view in a second image thereof; FIG. 3 is another perspective view in a third image thereof; FIG. 4 is another perspective view in a fourth image thereof; FIG. 5 is another perspective view in a fifth image thereof; FIG. 6 is another perspective view in a sixth image thereof; FIG. 7 is another front view in a seventh image thereof; FIG. 8 is another front view in an eighth image thereof; FIG. 9 is another perspective view in a ninth image thereof; FIG. 10 is another perspective view in a tenth image thereof; FIG. 11 is another perspective view in an eleventh image thereof; FIG. 12 is another perspective view in a twelfth image thereof; FIG. 13 is another perspective view in a thirteenth image thereof; and, FIG. 14 is another front view in a fourteenth image thereof. The broken lines shown in the drawings depict environmental subject matter and form no part of the claimed design. The appearance of the transitional image sequentially transitions between the images shown in FIGS. 1-14. The process or period in which one image transitions to another image forms no part of the claimed design.

1 Claim, 14 Drawing Sheets



US D750,636 S

Page 2

(56)

References Cited

U.S. PATENT DOCUMENTS

D712,917 S *	9/2014	Lee et al.	D14/486	
D713,415 S *	9/2014	Lee et al.	D14/486	* cited by examiner
D713,416 S *	9/2014	Lee et al.	D14/486	
2009/0281684 A1 *	11/2009	Spek	701/7	
2012/0200567 A1 *	8/2012	Mandel et al.	345/420	

FIG. 1

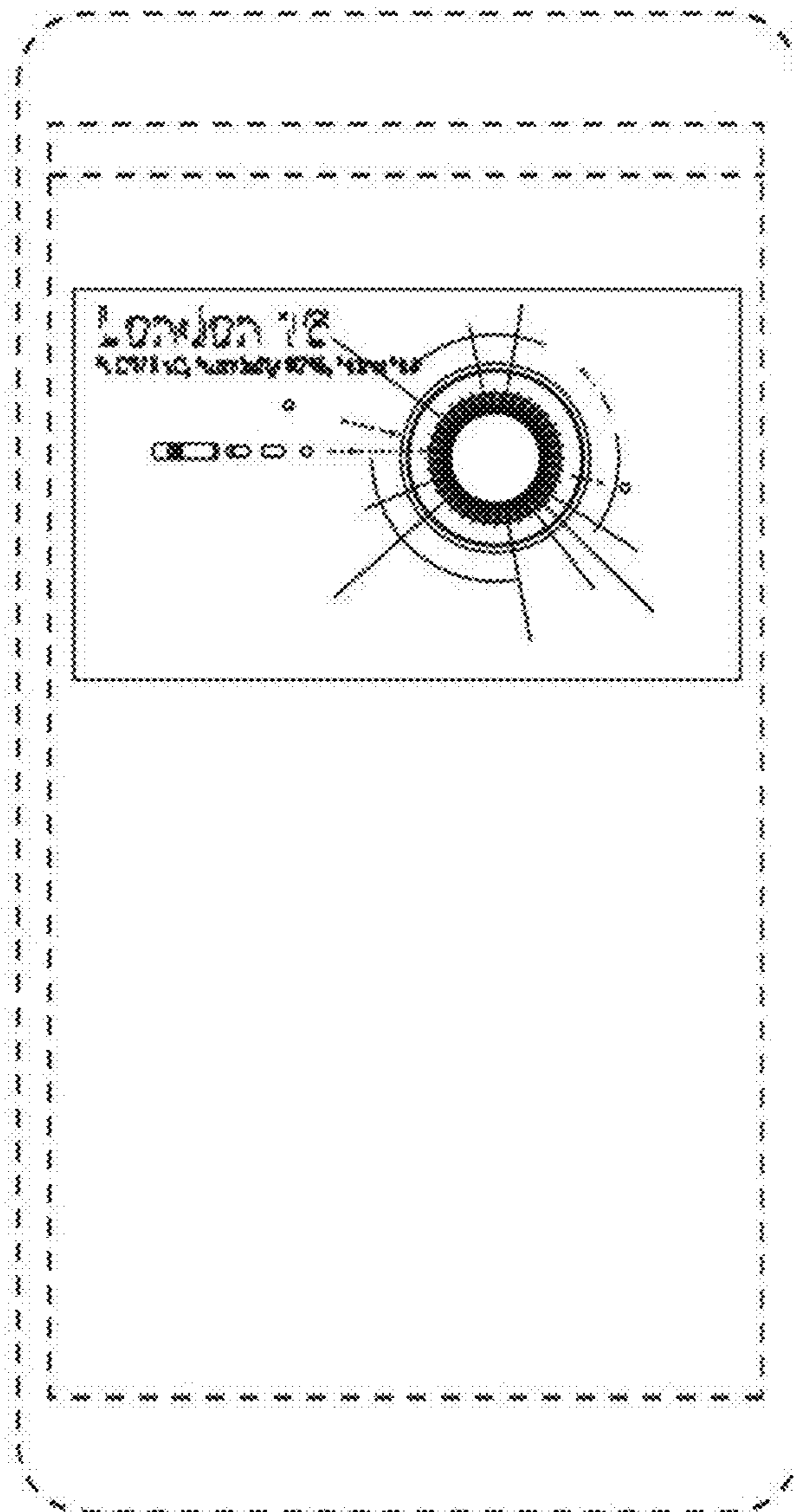


FIG. 2

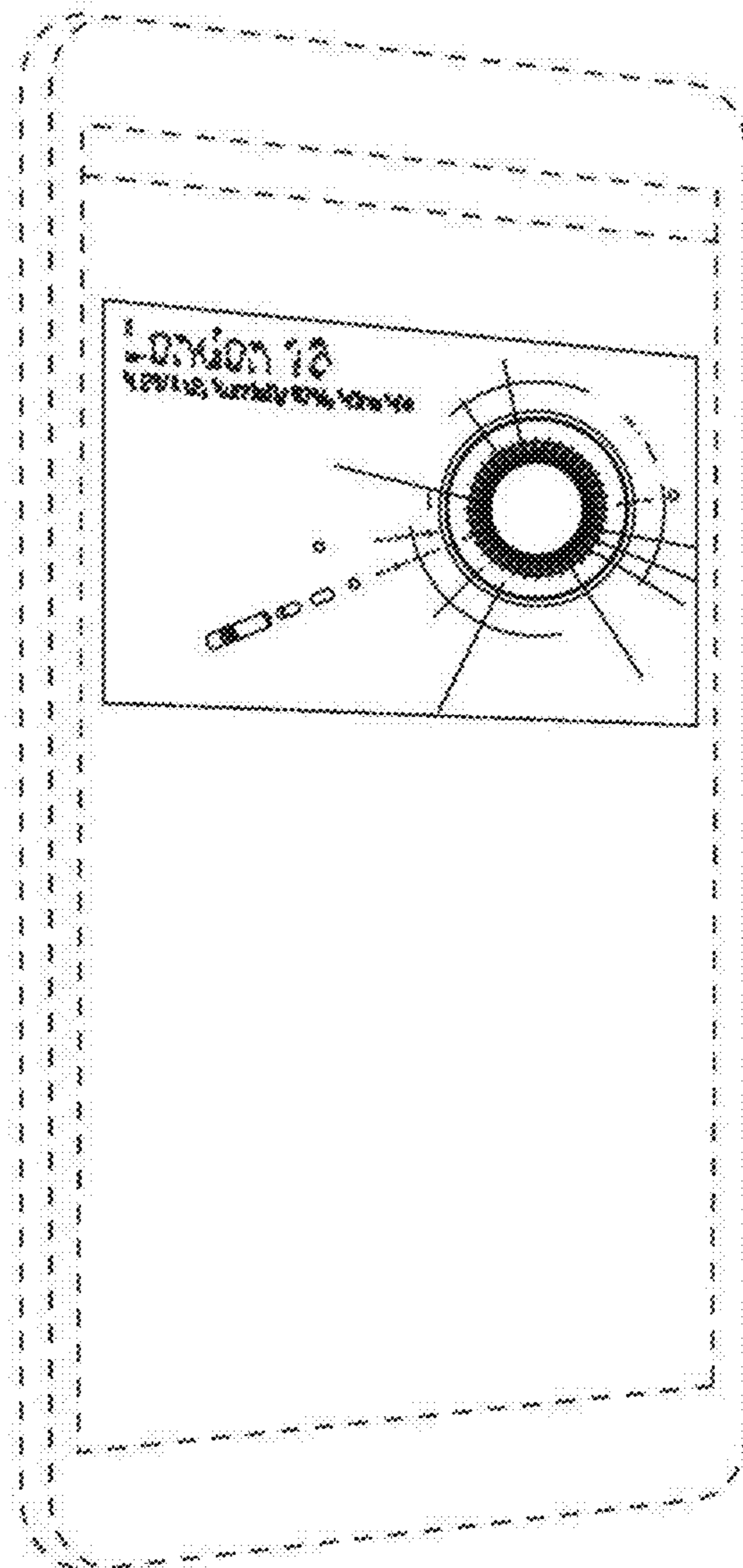


FIG. 3

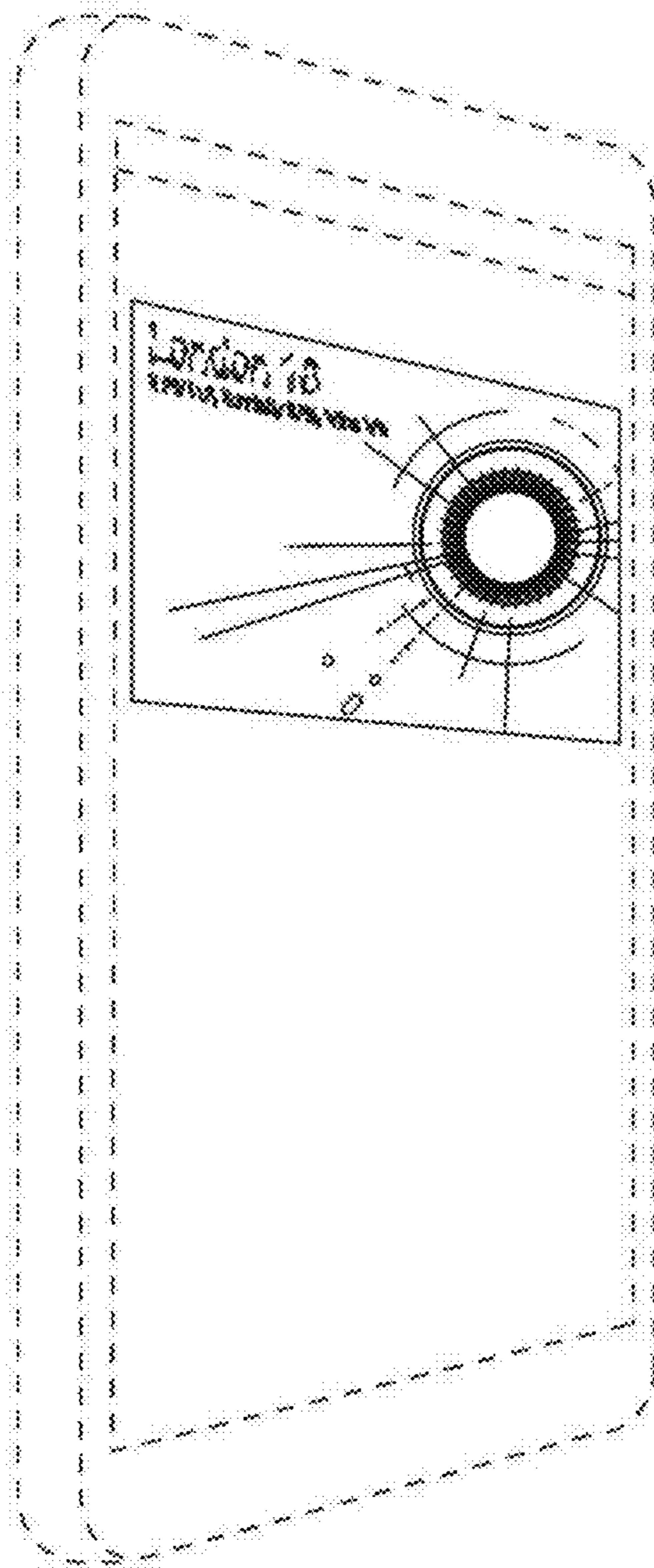


FIG. 4

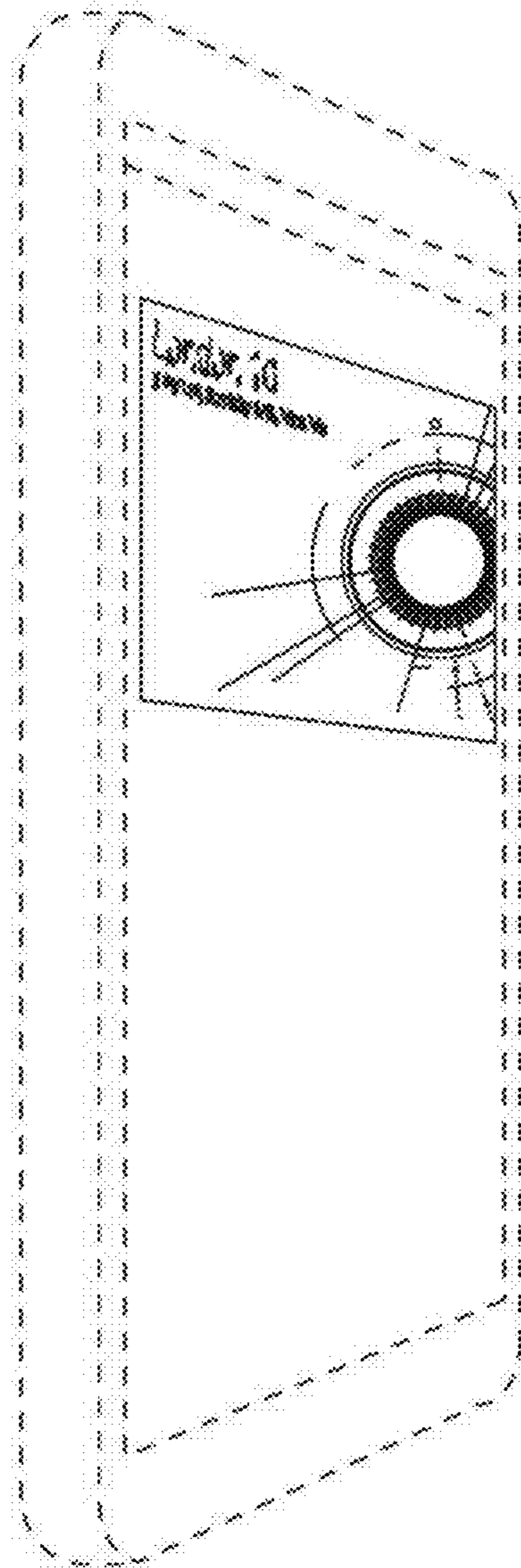


FIG. 5

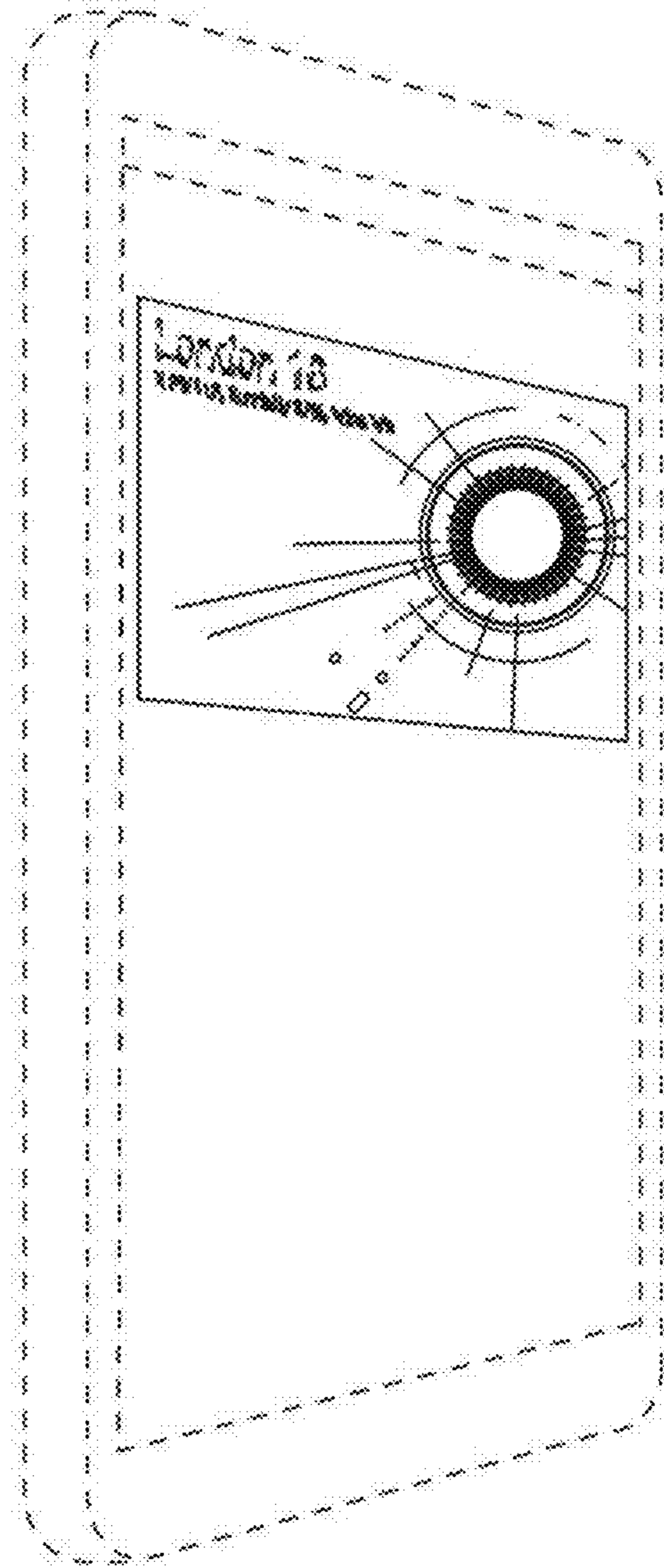


FIG. 6

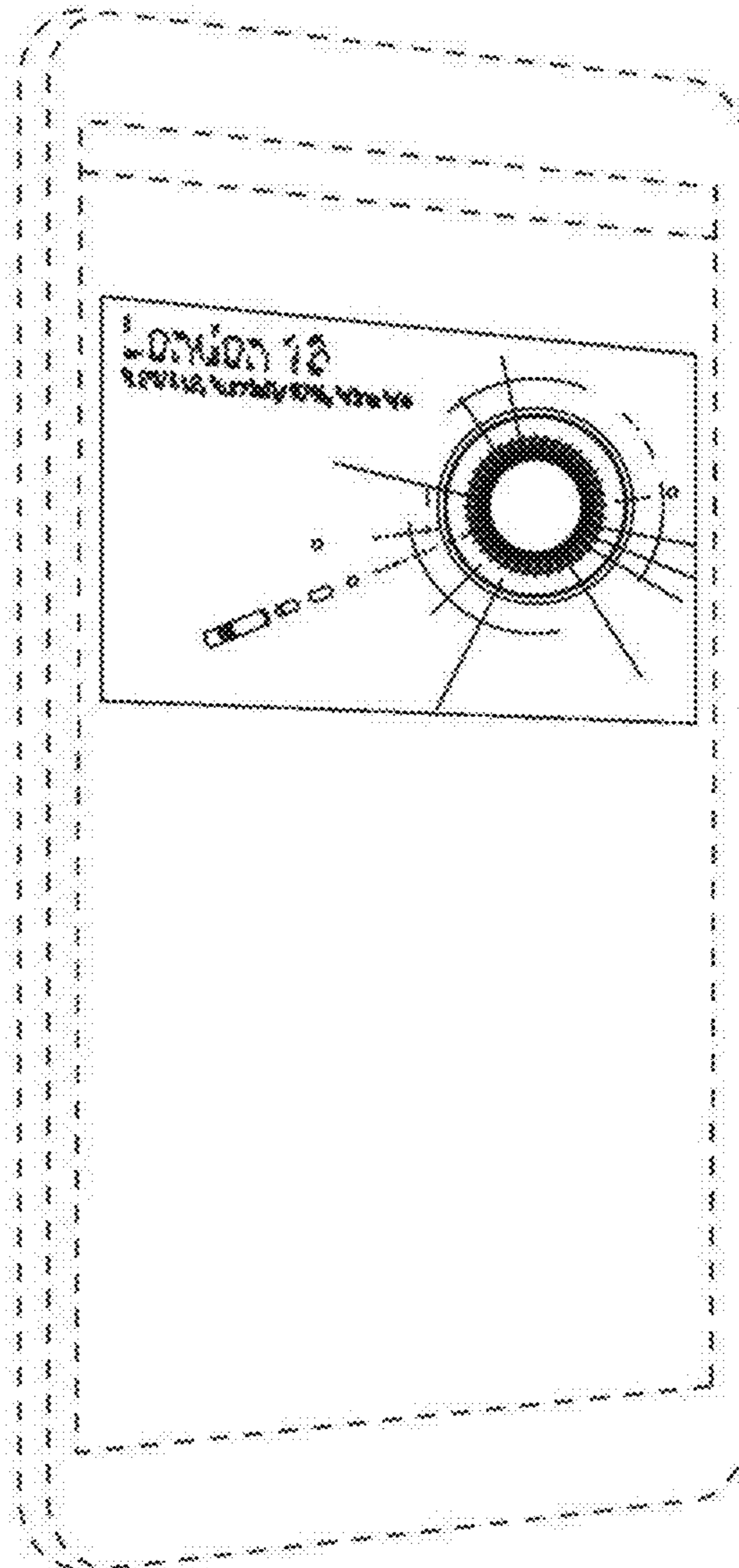


FIG. 7

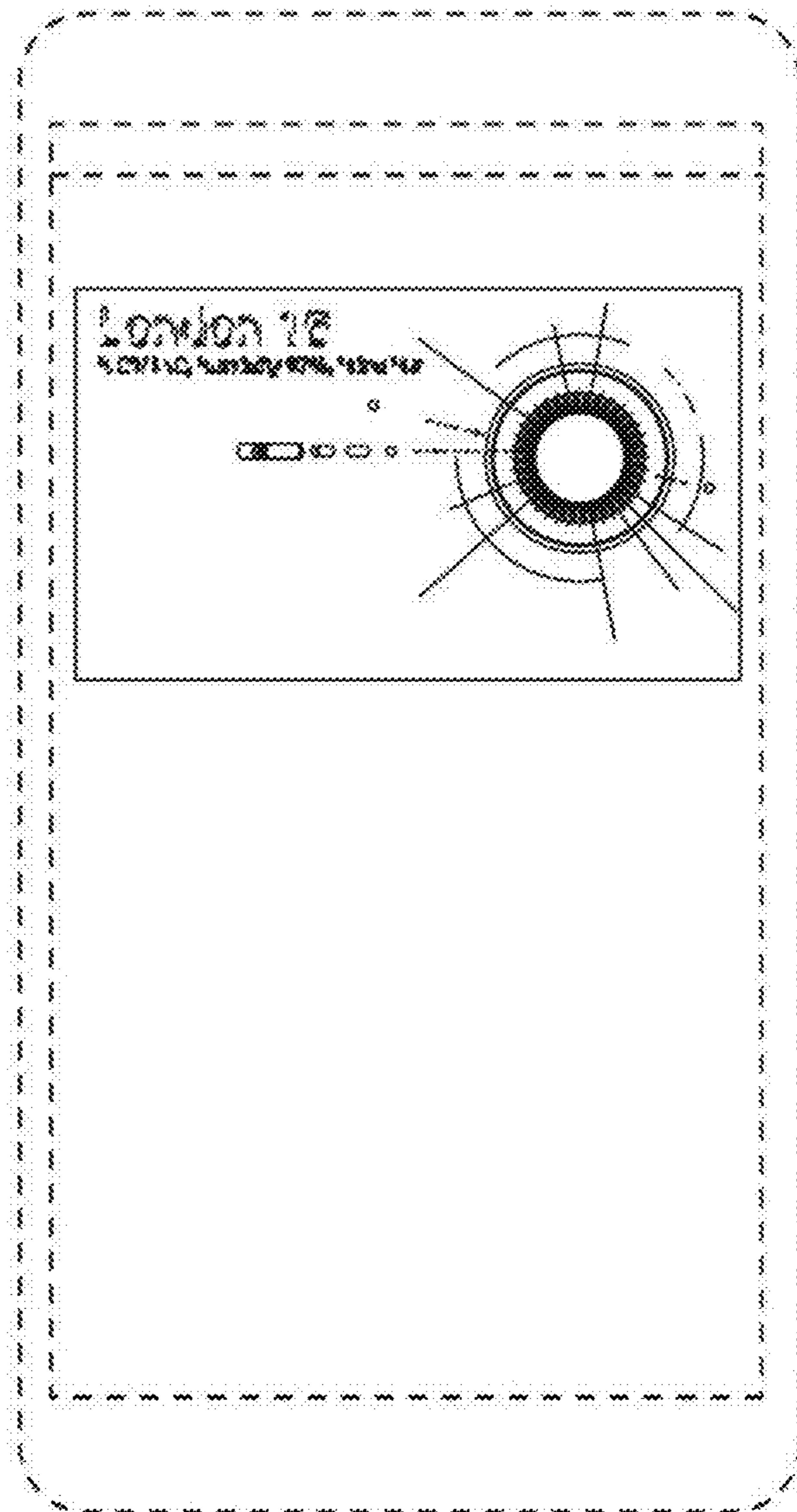


FIG. 8

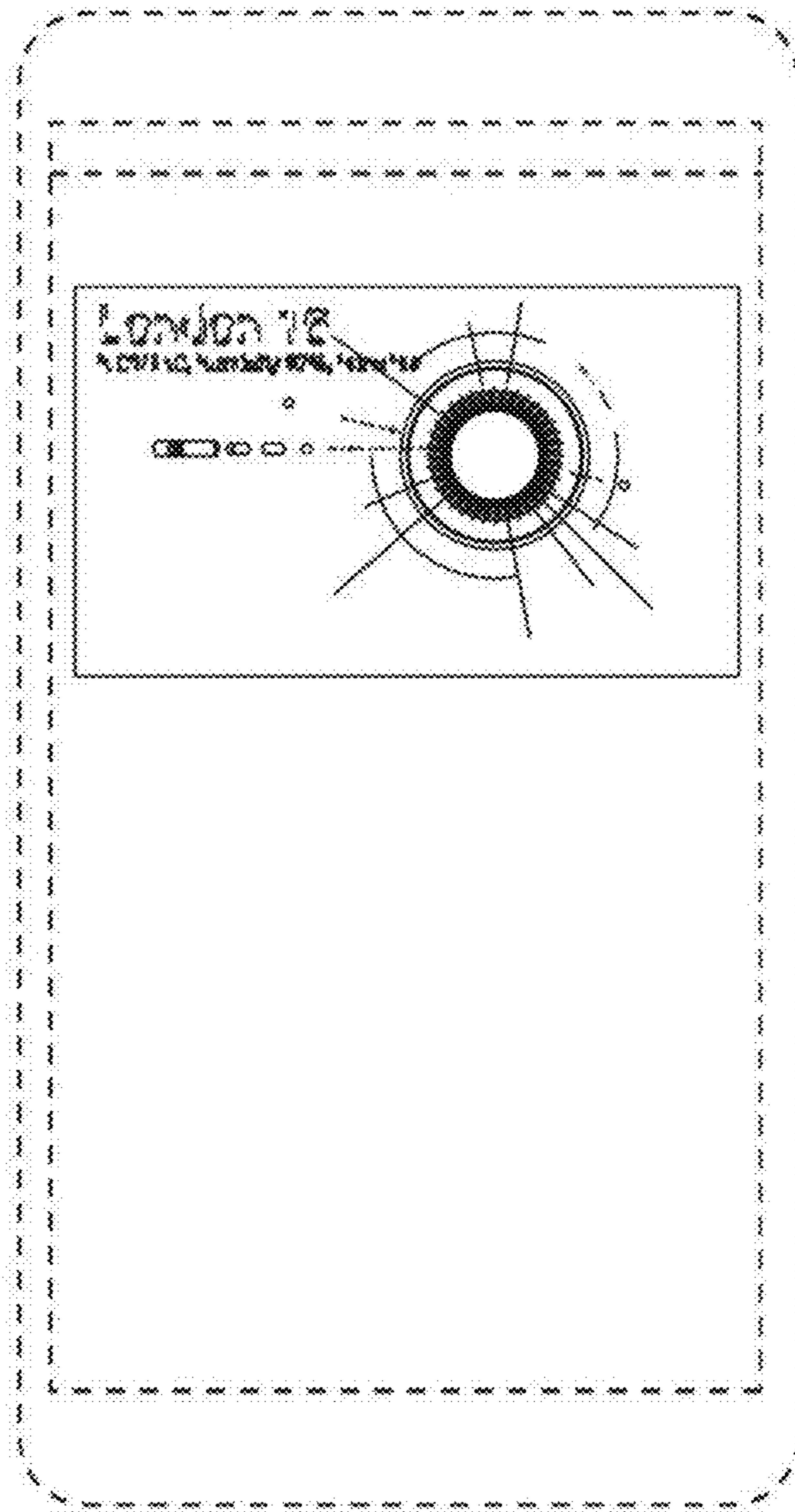


FIG. 9

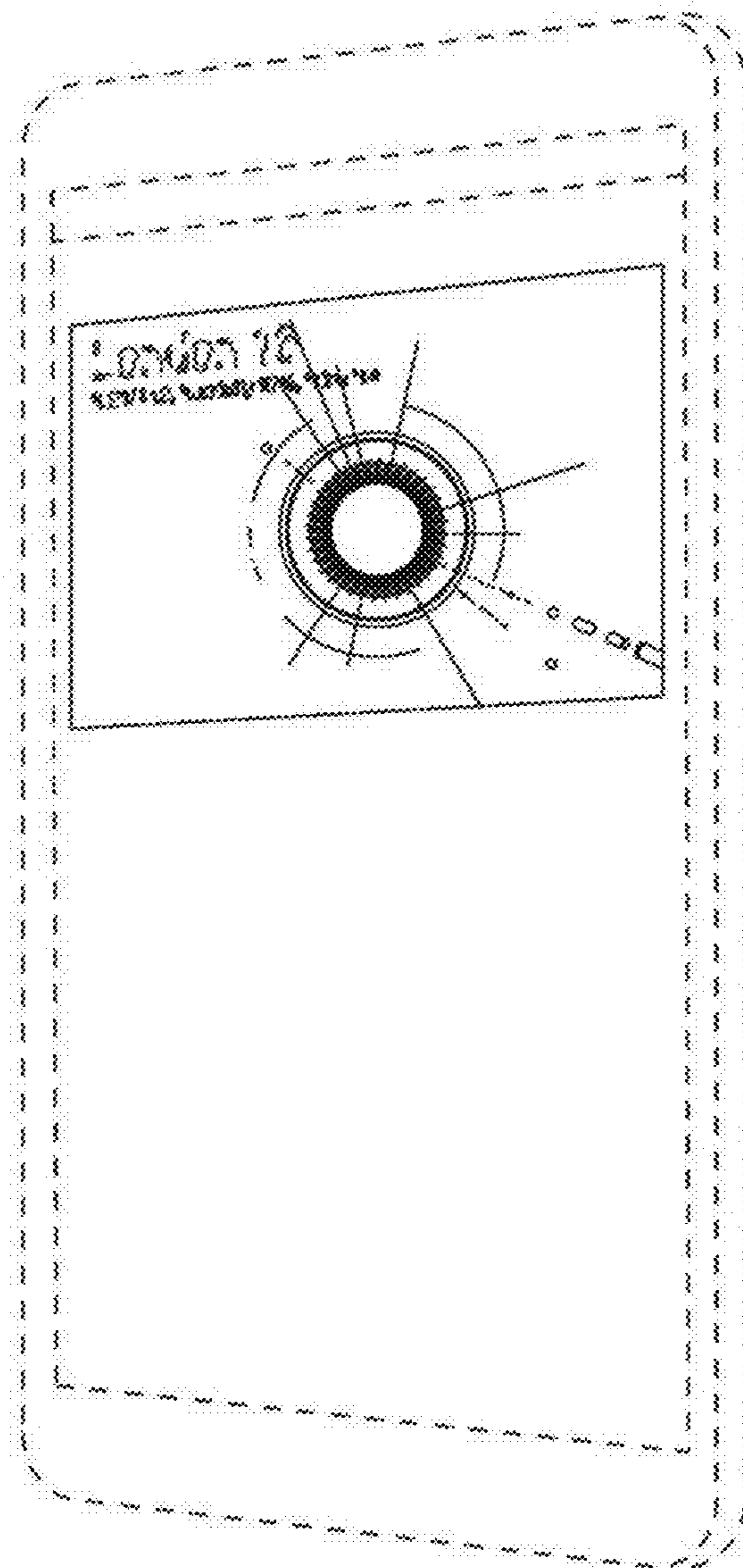


FIG. 10

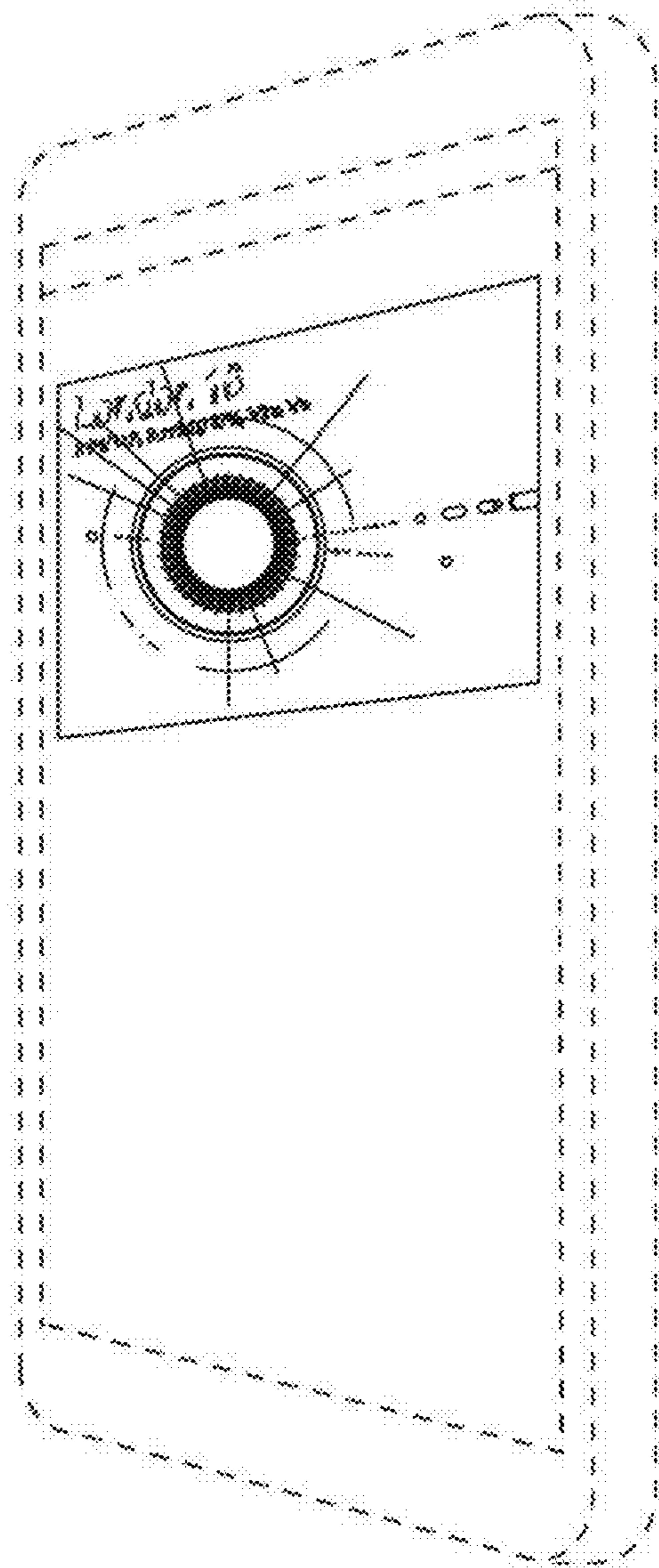


FIG. 11

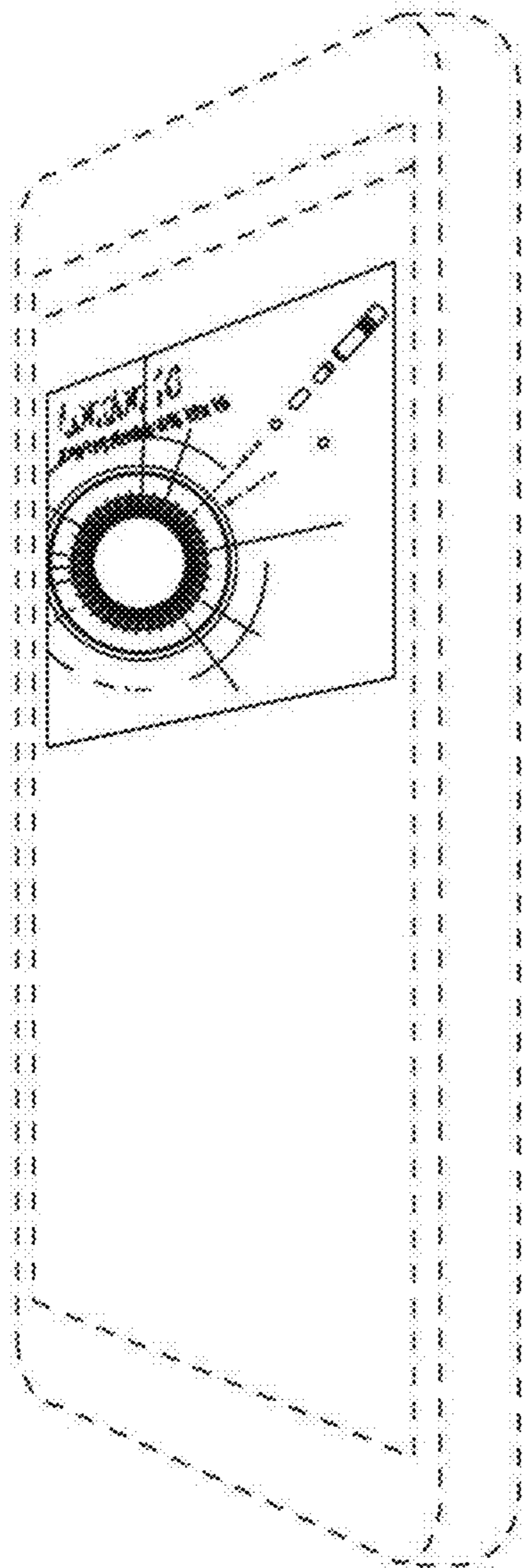


FIG. 12

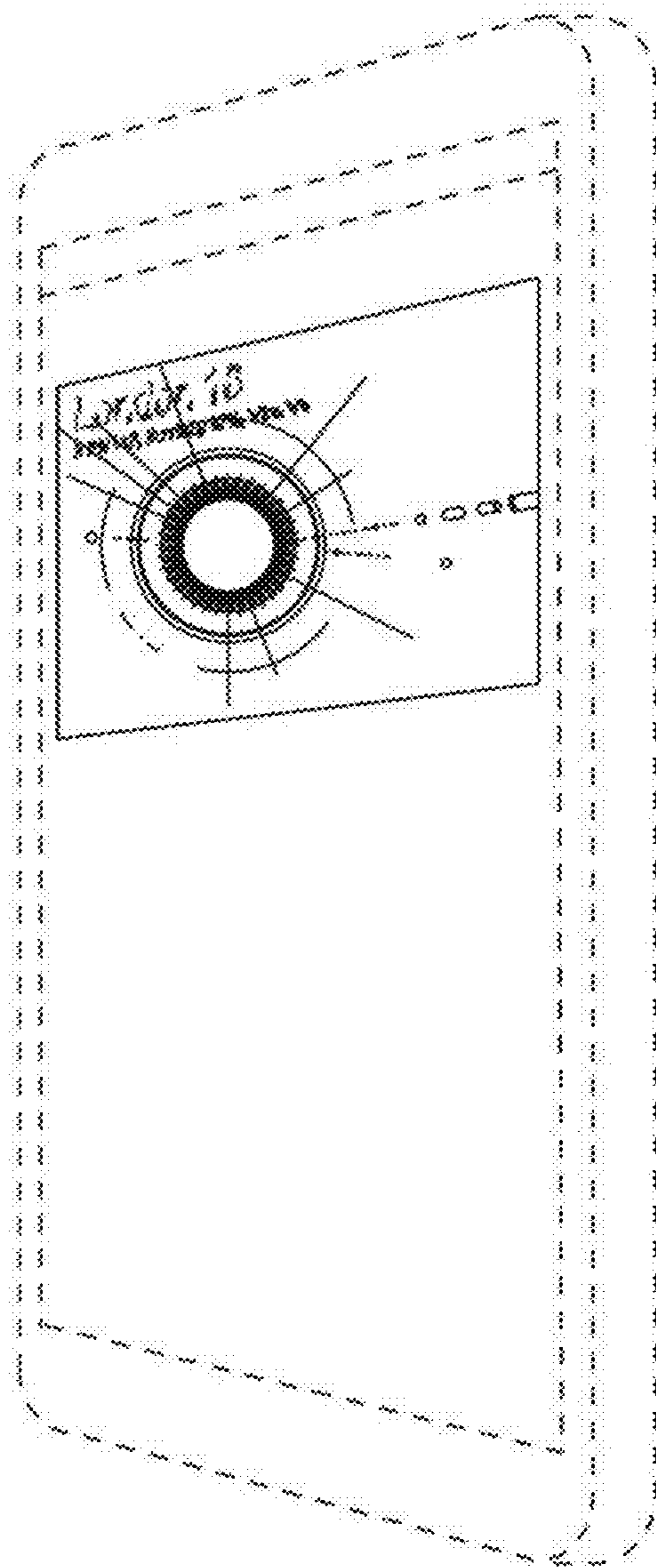


FIG. 13

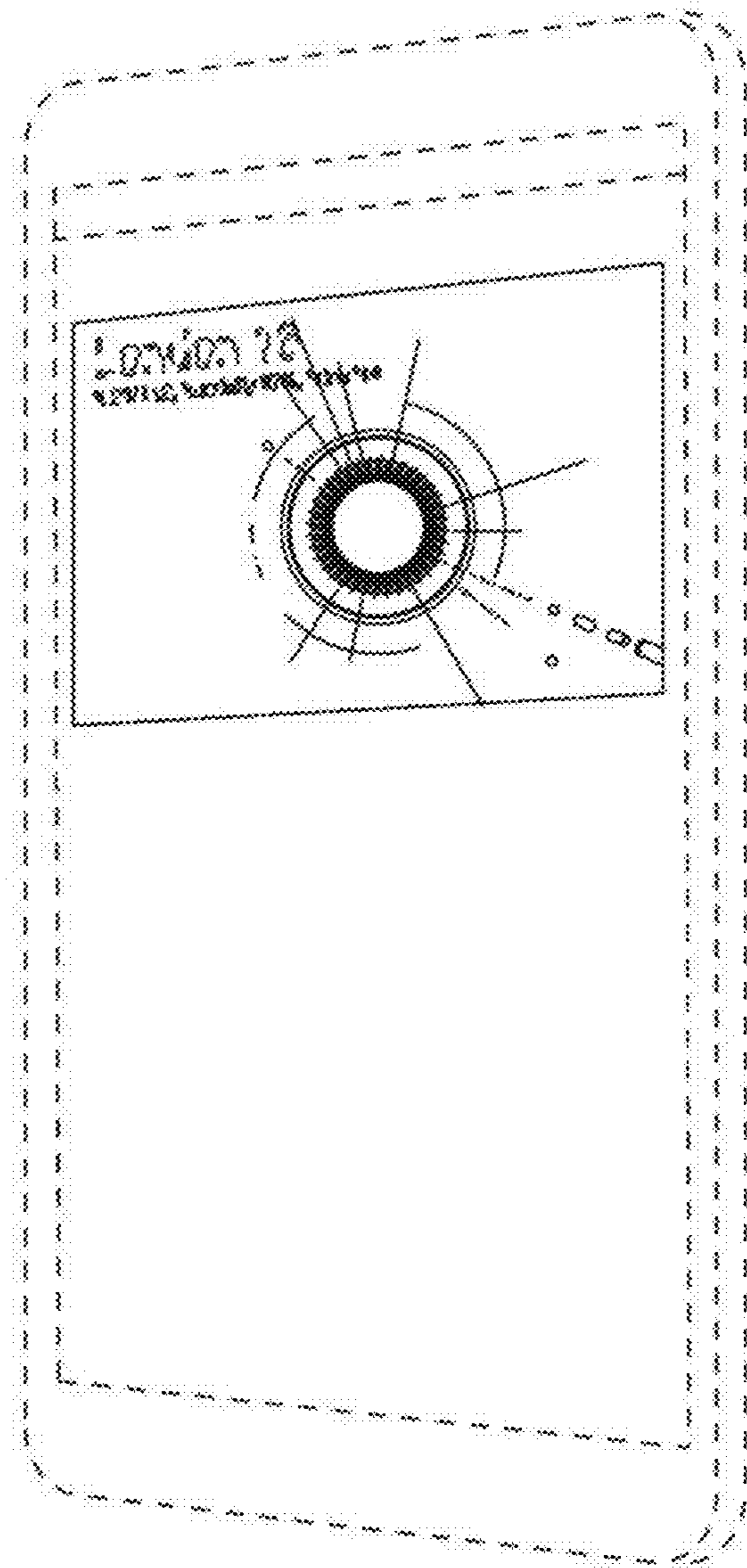


FIG. 14

