



US00D750634S

(12) **United States Design Patent**
Langhein

(10) **Patent No.:** **US D750,634 S**
(45) **Date of Patent:** **** Mar. 1, 2016**

(54) **TABLET COMPUTER CASE WITH
DETACHABLE STAND**

(71) Applicant: **FLB Group Limited**, Edinburgh (GB)

(72) Inventor: **Julia Elsa Langhein**, London (GB)

(73) Assignee: **FLB GROUP LIMITED**, Edinburgh
(GB)

(**) Term: **15 Years**

(21) Appl. No.: **29/538,618**

(22) Filed: **Sep. 4, 2015**

(30) **Foreign Application Priority Data**

Aug. 17, 2015 (EM) 001438840

Aug. 17, 2015 (EM) 002755637

(51) **LOC (10) CL.** **08-07**

(52) **U.S. CL.**
USPC **D14/447**

(58) **Field of Classification Search**
USPC D14/447, 432, 434, 439, 440, 451, 452,
D14/457, 250, 251, 253; D3/218; D6/406.3,
D6/406.4, 406.5, 406.6
CPC A45C 2011/003; A45C 2011/002;
A45C 13/002; A47B 2023/049; A47B
2097/005; A47B 2097/006; A47B 21/04;
A47B 23/00; A47B 23/043; A47B 2021/0307;
A47B 2023/005; F16M 2200/00; H04B
1/3888; H04M 1/04; H04M 1/185

See application file for complete search history.

(56) **References Cited**

U.S. PATENT DOCUMENTS

7,281,698 B2 10/2007 Patterson, Jr.
D660,305 S 5/2012 Ho et al.
D670,703 S * 11/2012 Hasbrook D14/447
D672,146 S 12/2012 Fathollahi
D672,353 S 12/2012 Liu
8,328,008 B2 12/2012 Diebel et al.
D674,803 S 1/2013 Westrup

D676,055 S 2/2013 Izen et al.
D676,854 S 2/2013 Hsu et al.
8,382,059 B2 2/2013 Le Gette et al.
D684,978 S * 6/2013 Phillips D14/440
D689,502 S 9/2013 Belitz et al.
D690,305 S * 9/2013 Wen D14/440
8,607,976 B2 12/2013 Wu et al.
D700,186 S * 2/2014 Feng D14/447
8,708,140 B2 4/2014 Liu
D707,229 S 6/2014 Almodova
8,746,449 B2 6/2014 Gallagher et al.
8,763,795 B1 7/2014 Oten et al.
8,800,763 B2 8/2014 Hale
D712,412 S 9/2014 Bleau et al.
D712,413 S 9/2014 Fukai
D718,771 S * 12/2014 Huang D14/447
D722,059 S * 2/2015 Hirst D14/440
D724,092 S 3/2015 Zangari et al.
D729,256 S * 5/2015 Feng D14/447
D729,810 S 5/2015 Klusener
D733,150 S 6/2015 Sirichai
D733,154 S 6/2015 Armstrong et al.
D737,828 S * 9/2015 Albano D14/440
2011/0290687 A1 12/2011 Han
2012/0006950 A1 1/2012 Vandiver
2012/0012483 A1 1/2012 Fan
2012/0043247 A1 2/2012 Westrup
2013/0241381 A1 9/2013 Hyneczek et al.
2014/0158563 A1 * 6/2014 Young A45F 5/10
206/216
2014/0238876 A1 8/2014 Chen et al.
2015/0122850 A1 * 5/2015 Quehl A45C 11/00
224/191
2015/0129438 A1 * 5/2015 Quehl A45C 11/00
206/45.2
2015/0282579 A1 * 10/2015 Piro A45C 1/06
206/756

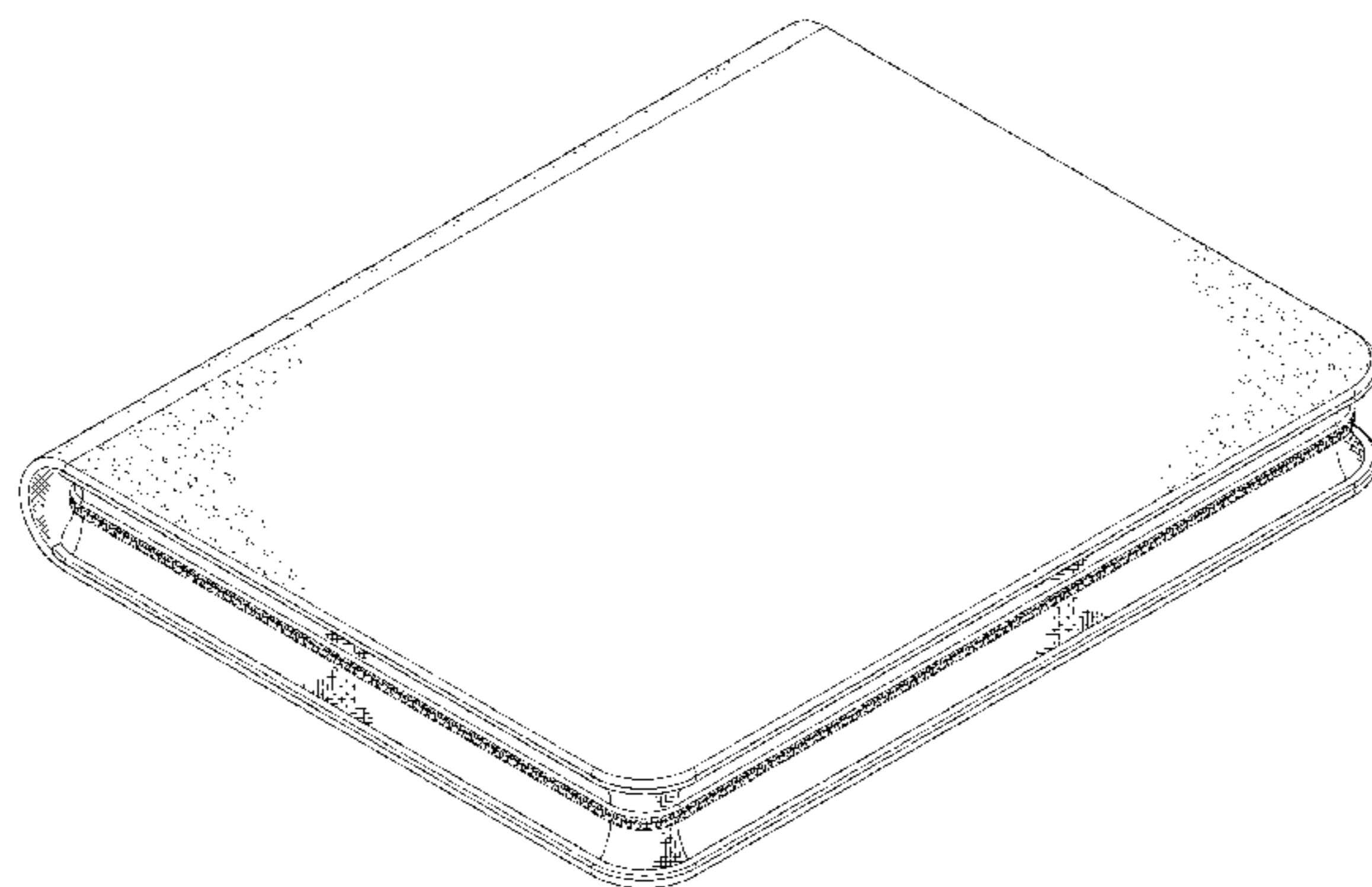
OTHER PUBLICATIONS

Tablet and Cell Phone Easel Stand, www.4AllPromos.com.
Basic Folding Smartphone and Tablet Stand, www.qualitylogoproducts.com.
Leather iPad 2 Case/Stand, www.4AllPromos.com.
Motion CL-Series Portfolio—509.400.02—Sleeve/Shuttle Notebook Cases, www.cdw.com.
Dell Premier Sleeve/Stand (M), www.dell.com.

* cited by examiner

Primary Examiner — Angela J Lee

(74) *Attorney, Agent, or Firm* — Haynes and Boone, LLP



(57)

CLAIM

The ornamental design for a tablet computer case with detachable stand, as shown and described.

DESCRIPTION

This application claims priority to Registered Community Design (RCD) Application No. 001438840, filed Aug. 17, 2015 in the European (EU) Office for Harmonization in the Internal Market (OHIM), the entire disclosure of which is hereby incorporated herein by reference.

The application is related to U.S. patent application Ser. No. 29/538,610, filed Sep. 4, 2015, the entire disclosure of which is hereby incorporated by reference.

The application is related to U.S. patent application Ser. No. 29/538,622, filed Sep. 4, 2015, the entire disclosure of which is hereby incorporated by reference.

FIG. 1 is a perspective view of a tablet computer case with detachable stand showing my new design arranged in a first configuration;

FIG. 2 is a front elevational view of the first configuration;

FIG. 3 is a rear elevational view of the first configuration;

FIG. 4 is a right side elevational view of the first configuration;

FIG. 5 is a left side elevational view of the first configuration;

FIG. 6 is a top plan view of the first configuration;

FIG. 7 is a bottom plan view of the first configuration;

FIG. 8 is a perspective view of the tablet computer case with detachable stand showing my new design arranged in a second configuration;

FIG. 9 is another perspective view of the second configuration;

FIG. 10 is a perspective view of the tablet computer case with detachable stand showing my new design arranged in a third configuration;

FIG. 11 is another perspective view of the third configuration;

FIG. 12 is yet another perspective view of the third configuration;

FIG. 13 is a side elevational view of the third configuration;

FIG. 14 is a perspective view of the tablet computer case with detachable stand showing my new design arranged in a fourth configuration;

FIG. 15 is another perspective view of the fourth configuration;

FIG. 16 is yet another perspective view of the fourth configuration;

FIG. 17 is a side elevational view of the fourth configuration;

FIG. 18 is a perspective view of the tablet computer case with detachable stand showing my new design arranged in a fifth configuration;

FIG. 19 is another perspective view of the fifth configuration;

FIG. 20 is a perspective view of the tablet computer case with detachable stand showing my new design arranged in a sixth configuration;

FIG. 21 is another perspective view of the sixth configuration;

FIG. 22 is a perspective view of the tablet computer case with detachable stand showing my new design arranged in a seventh configuration;

FIG. 23 is another perspective view of the seventh configuration;

FIG. 24 is a perspective view of the tablet computer case with detachable stand showing my new design arranged in an eighth configuration;

FIG. 25 is another perspective view of the eighth configuration;

FIG. 26 is a perspective view of the tablet computer case with detachable stand showing my new design arranged in a ninth configuration, the ninth configuration being the same as the second configuration;

FIG. 27 is another perspective view of the third configuration, FIG. 27 being similar to FIG. 10 but depicting in broken lines unclaimed environmental structure that is not depicted in FIGS. 10-13; and,

FIG. 28 is another perspective view of the fourth configuration, FIG. 28 being similar to FIG. 14 but depicting in broken lines unclaimed environmental structure that is not depicted in FIGS. 14-17.

The broken lines in FIGS. 27 and 28 form no part of the claimed design.

1 Claim, 26 Drawing Sheets

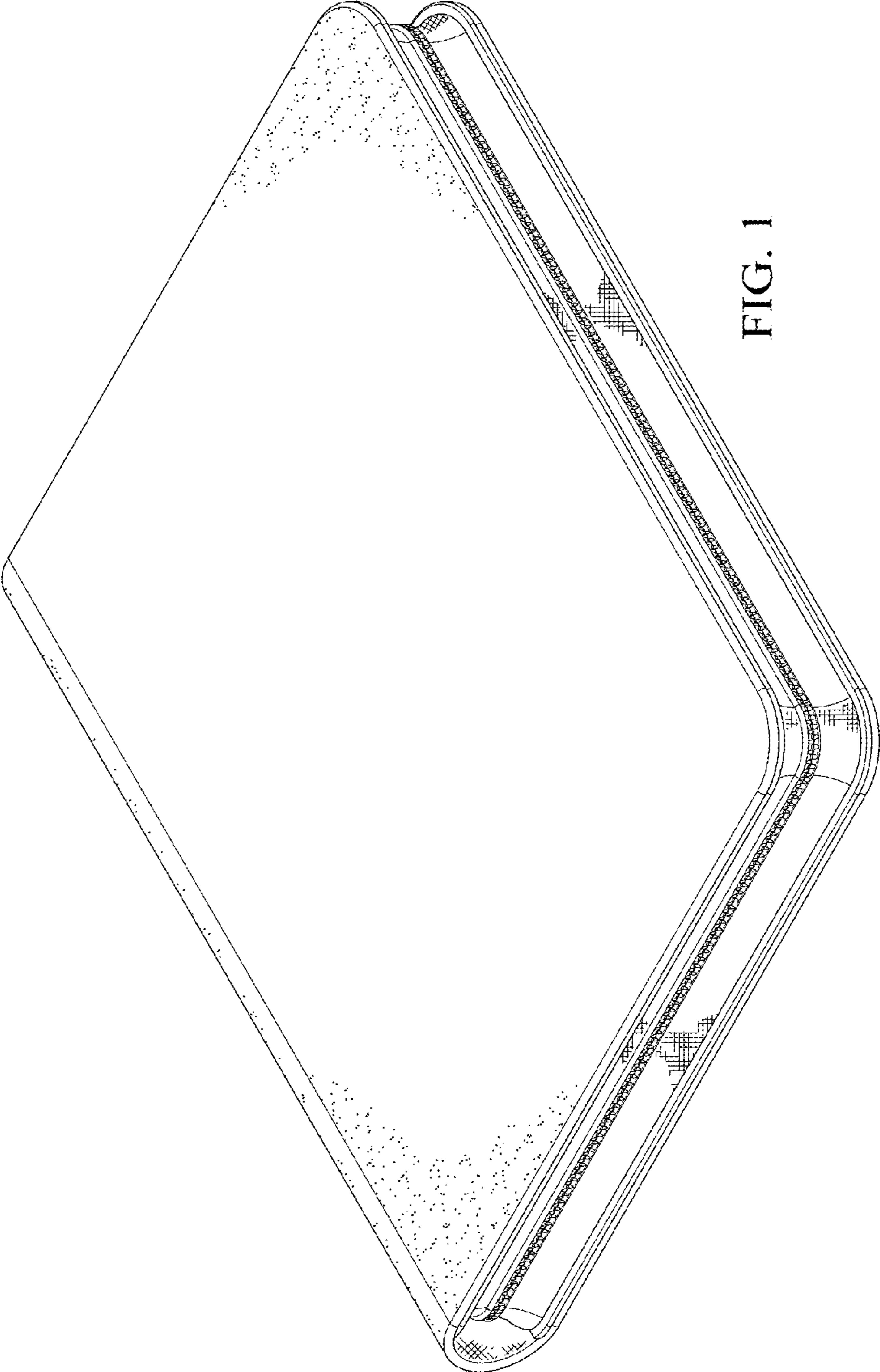


FIG. 1

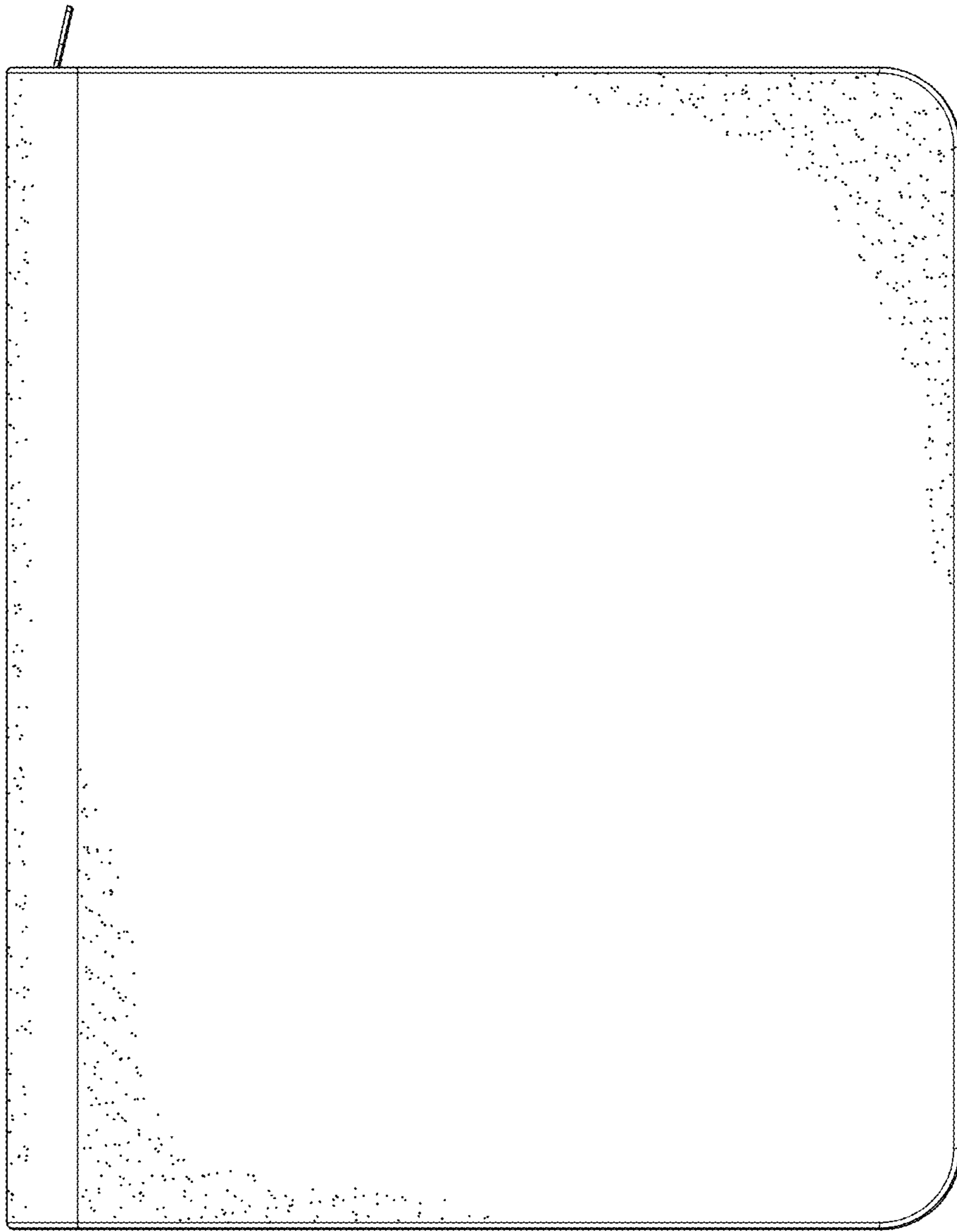


FIG. 2



FIG. 3

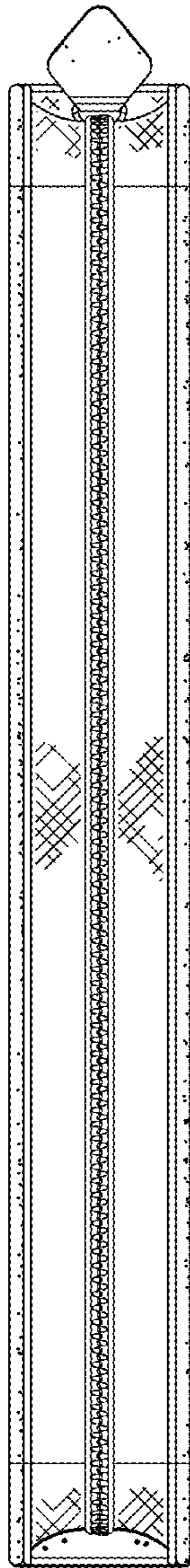


FIG. 4

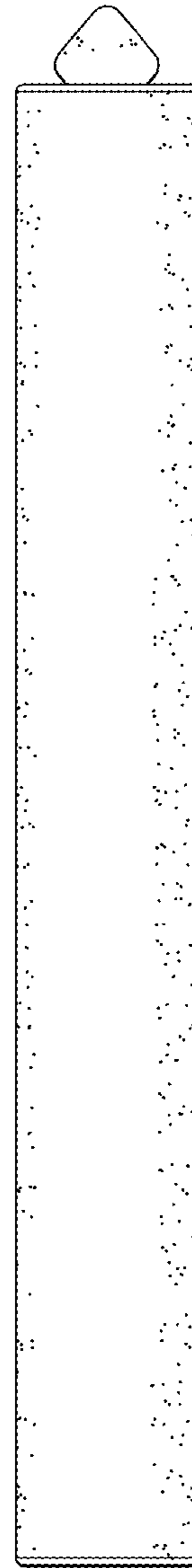


FIG. 5

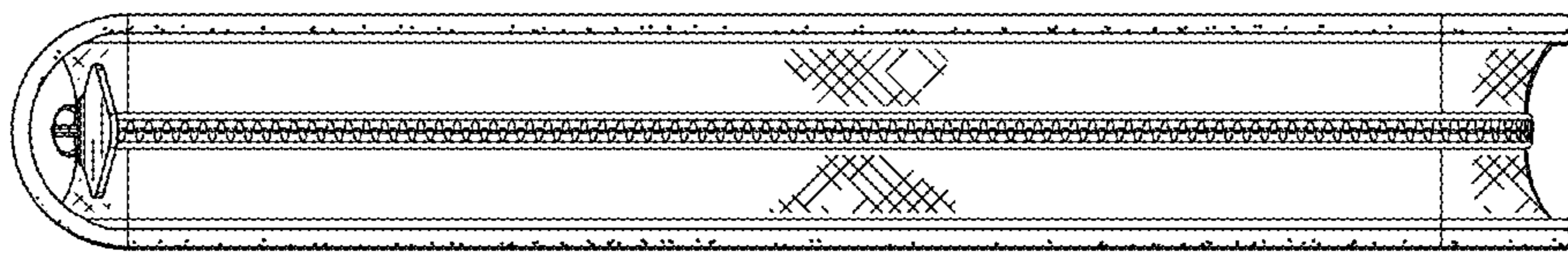


FIG. 6

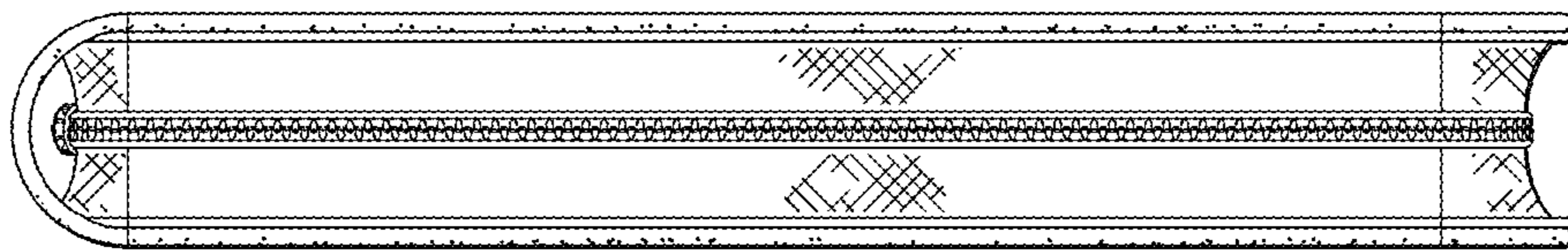


FIG. 7

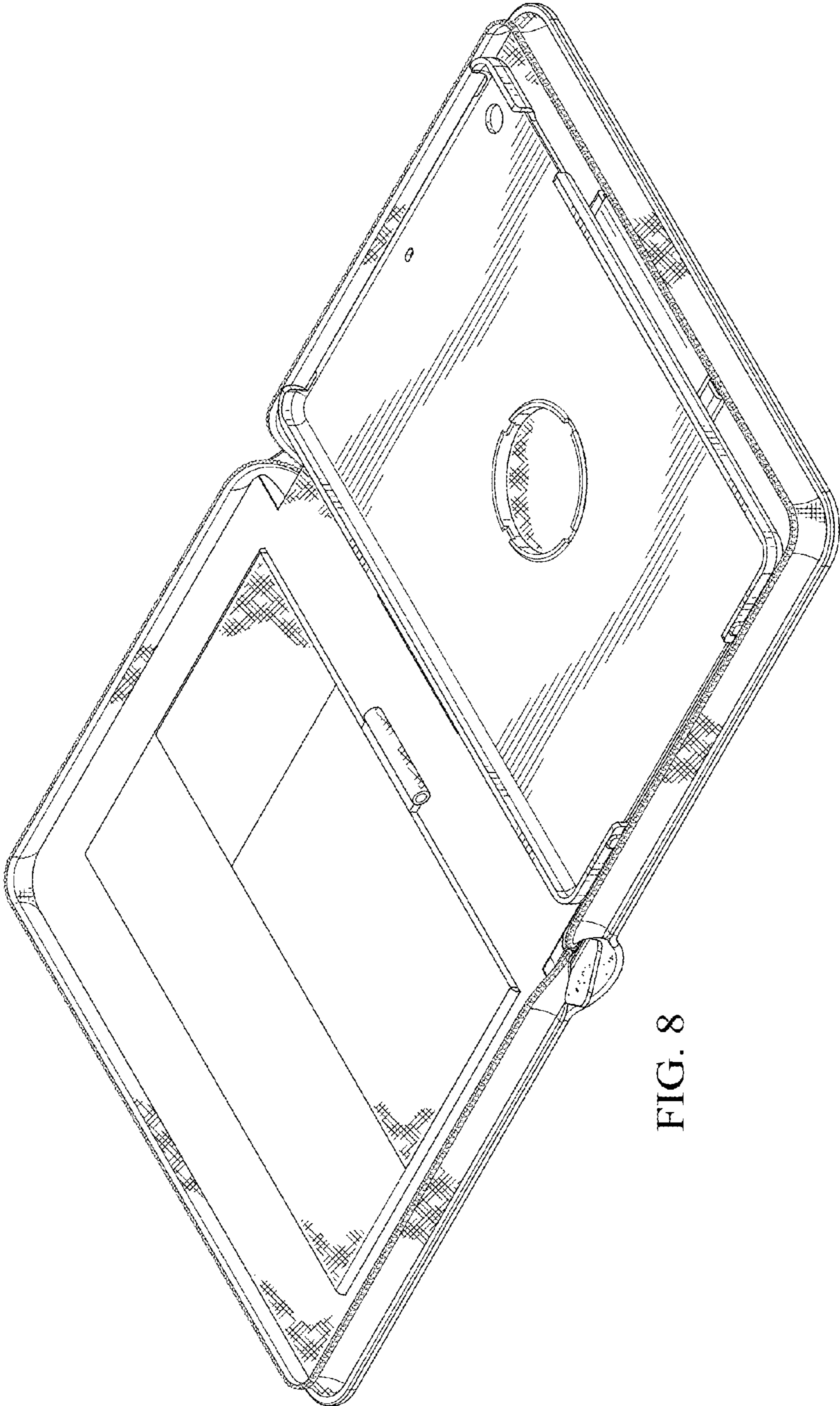


FIG. 8

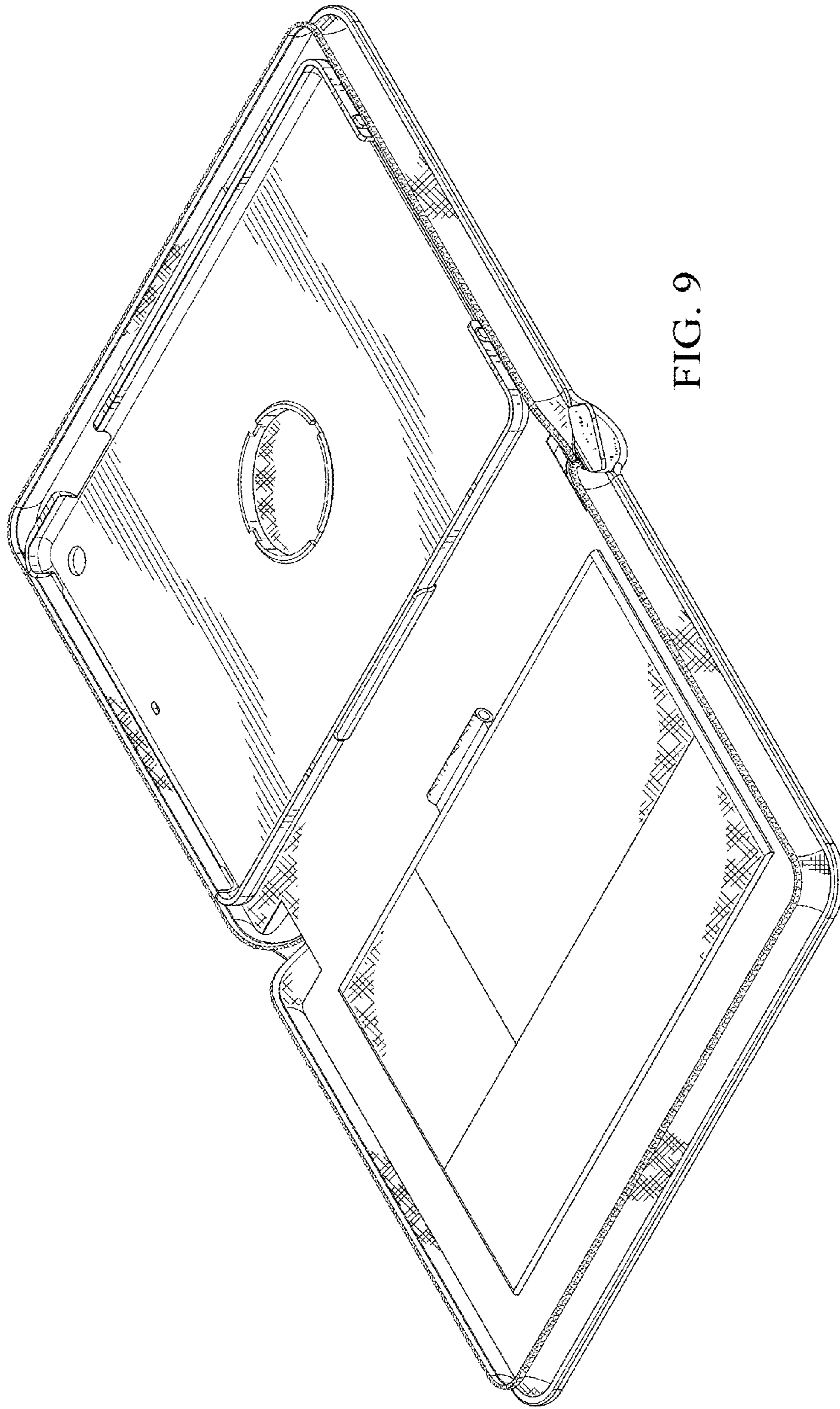


FIG. 9

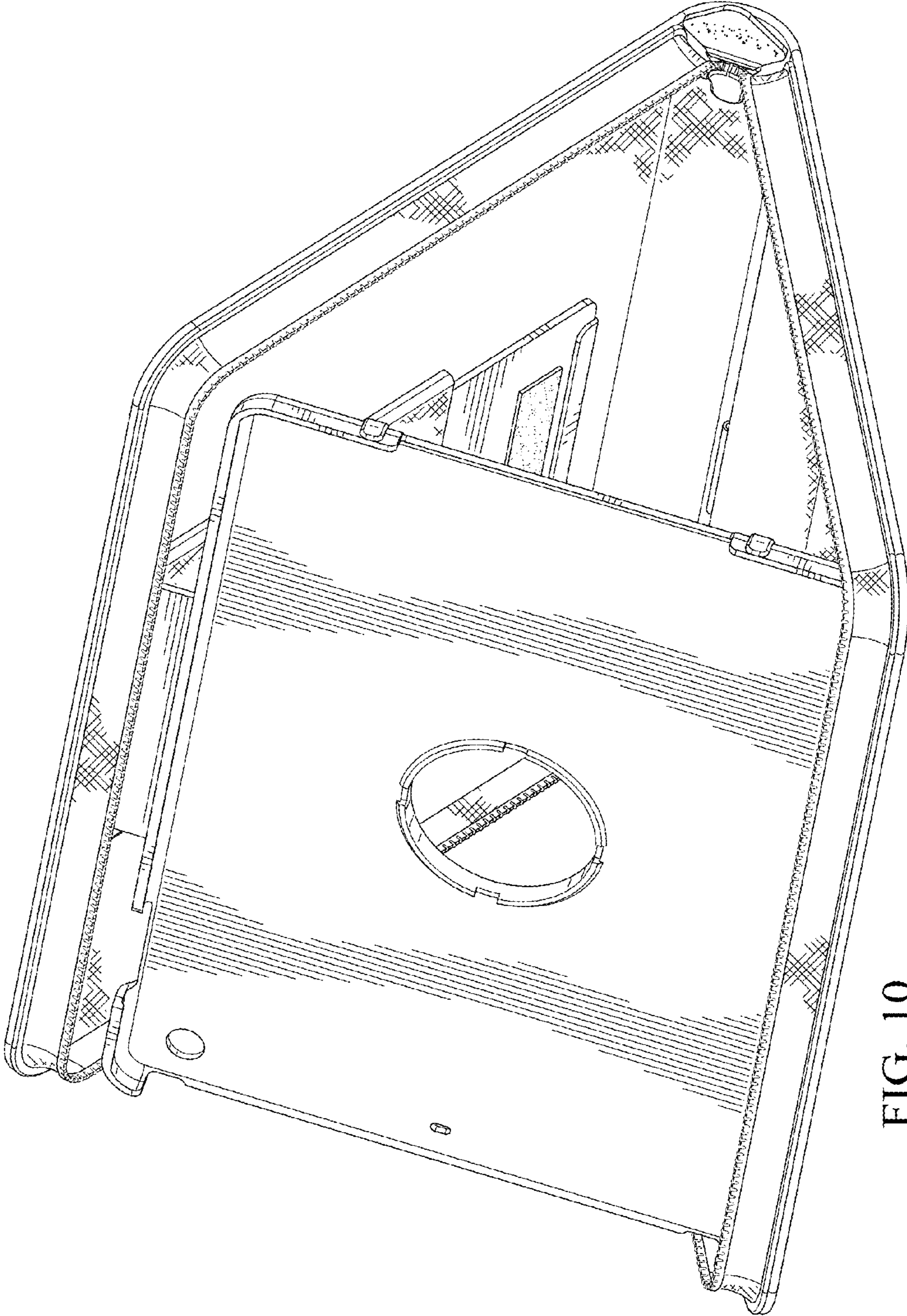


FIG. 10

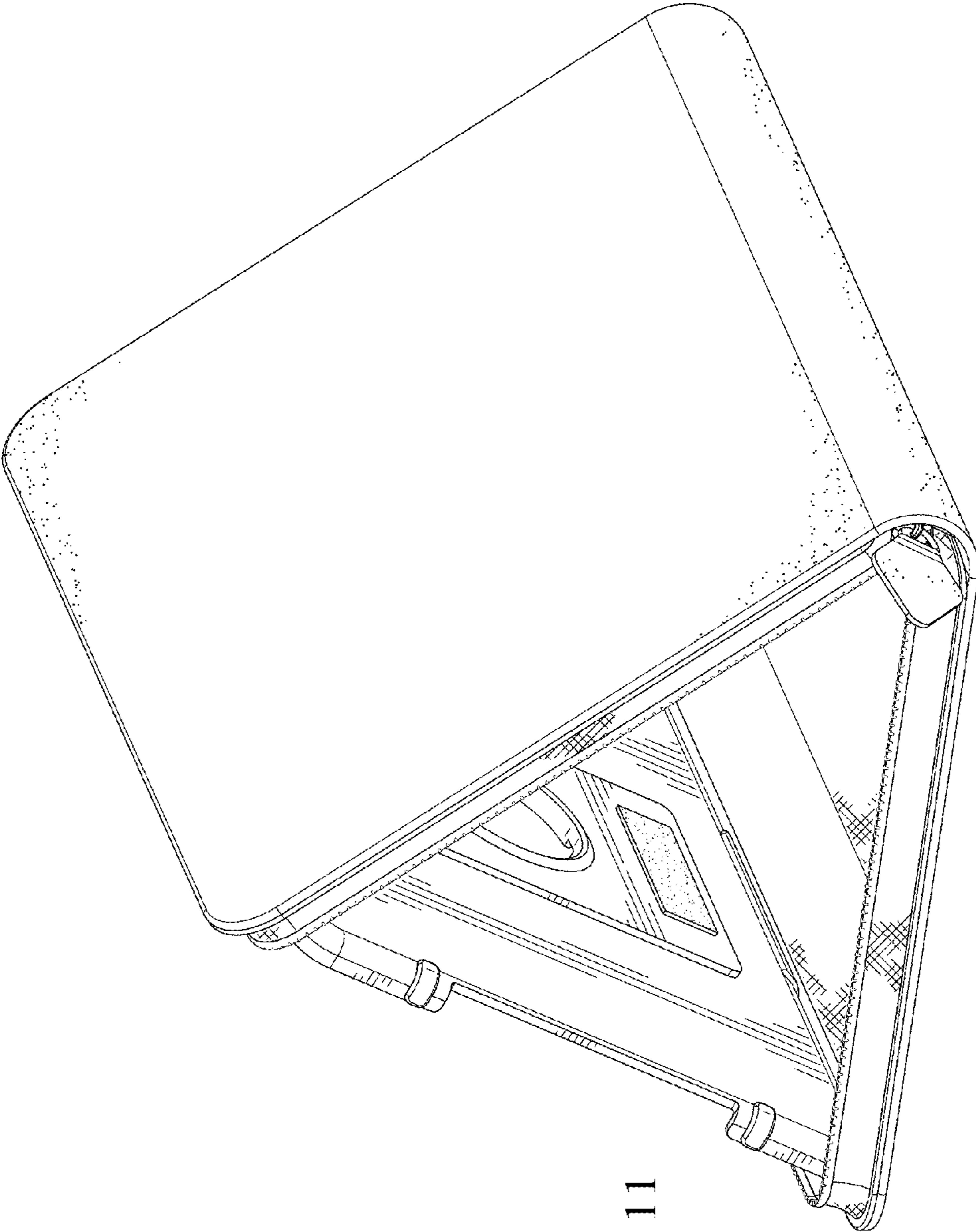
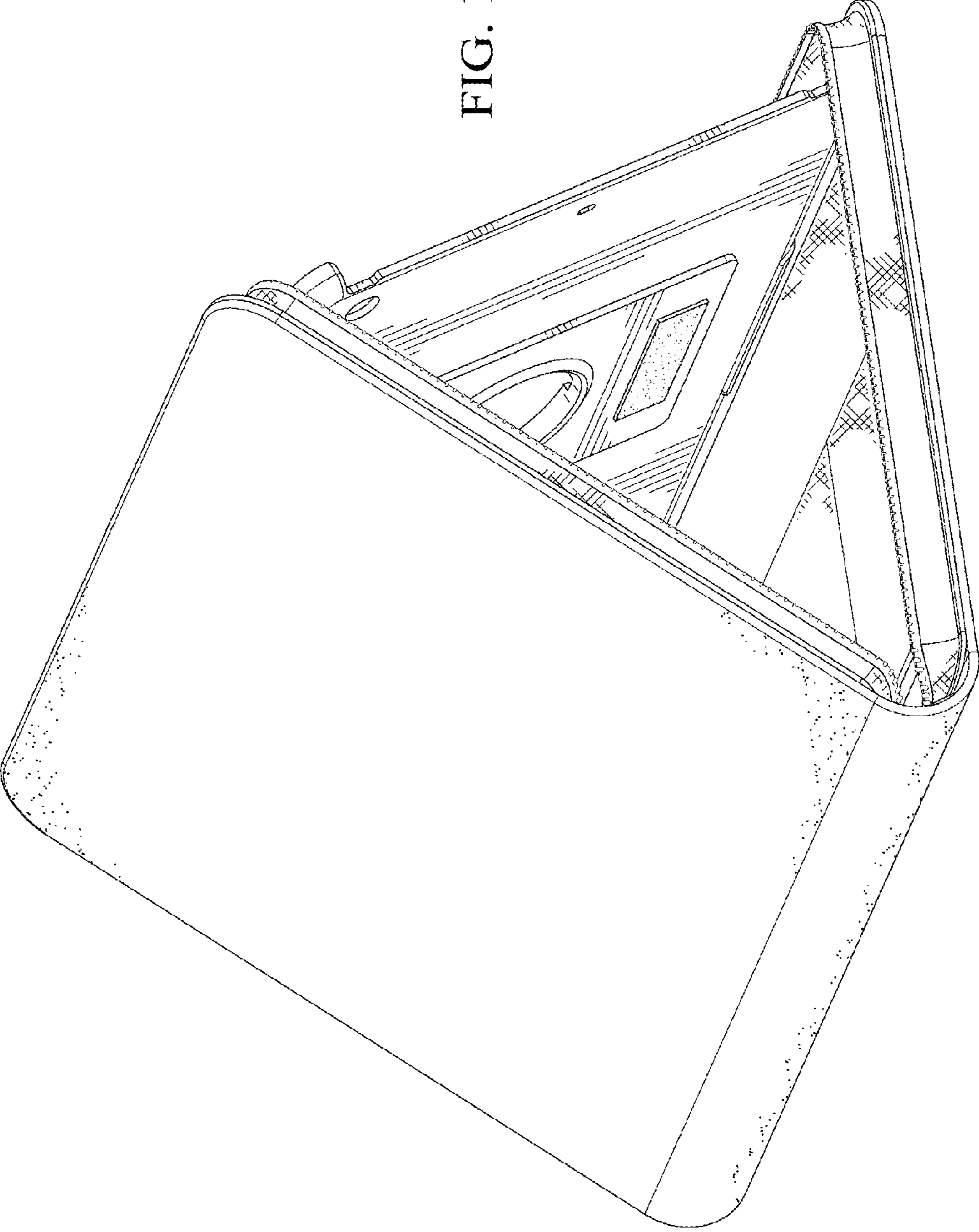


FIG. 11

FIG. 12



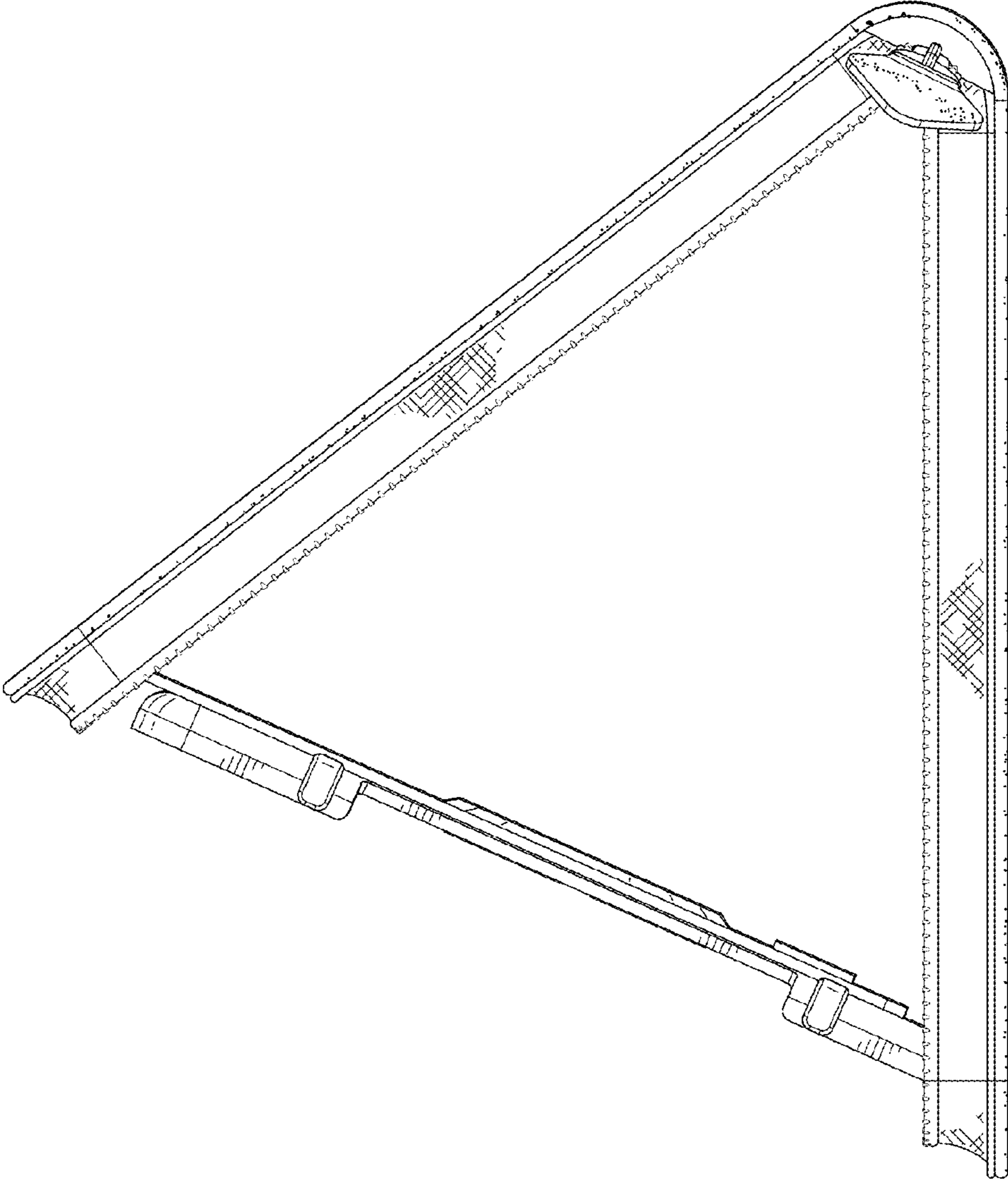


FIG. 13

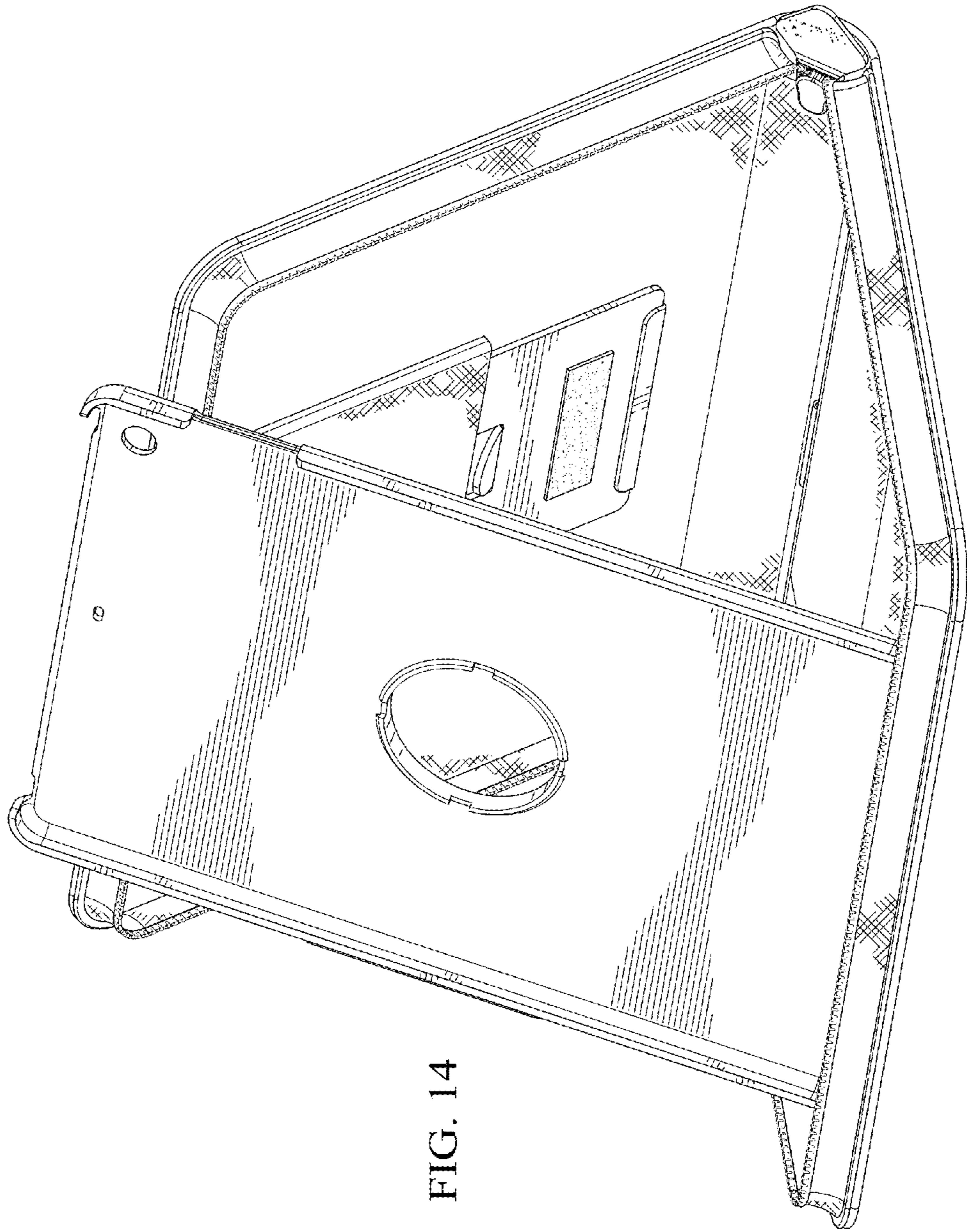


FIG. 14

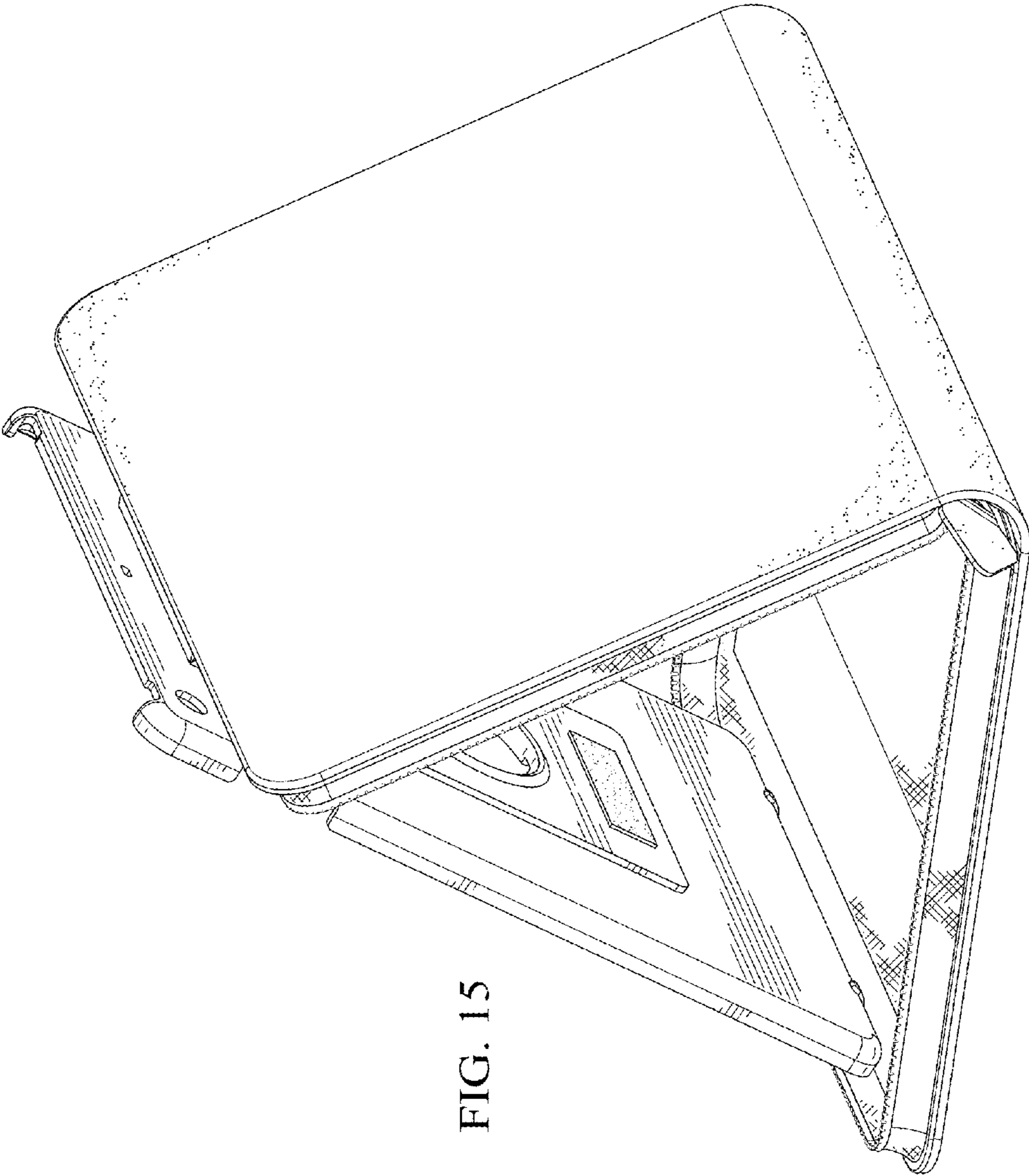
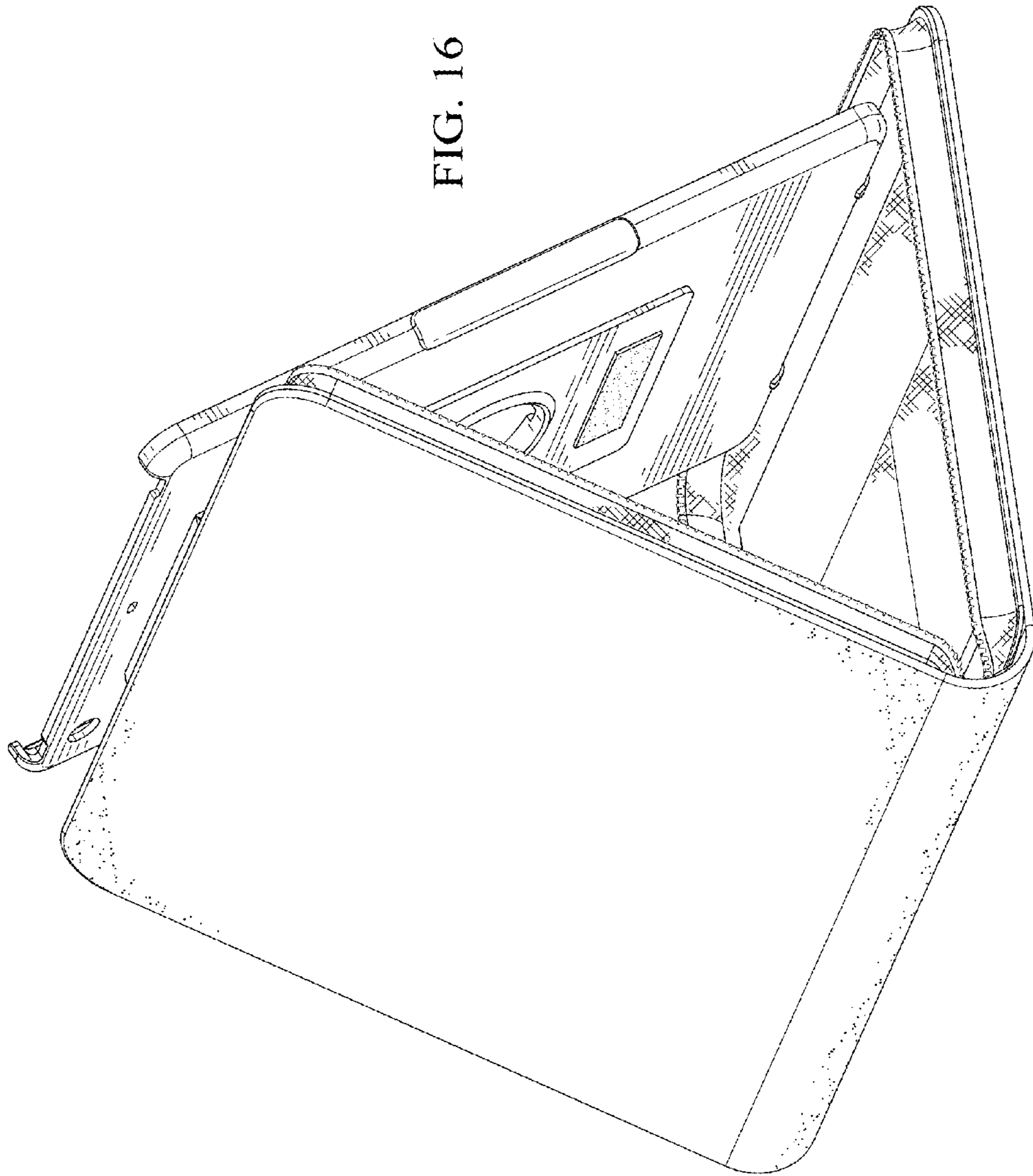


FIG. 15

FIG. 16



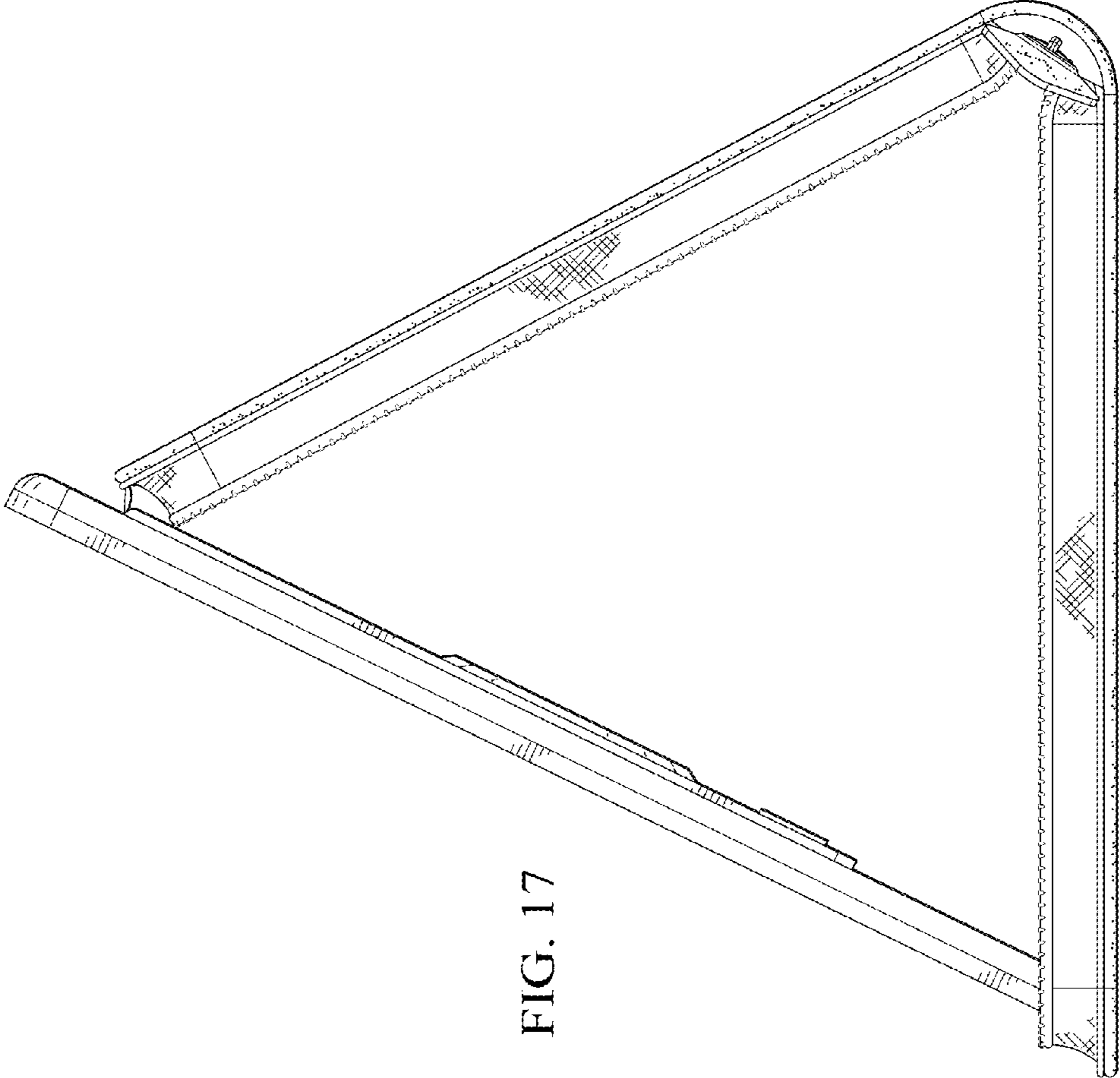


FIG. 17

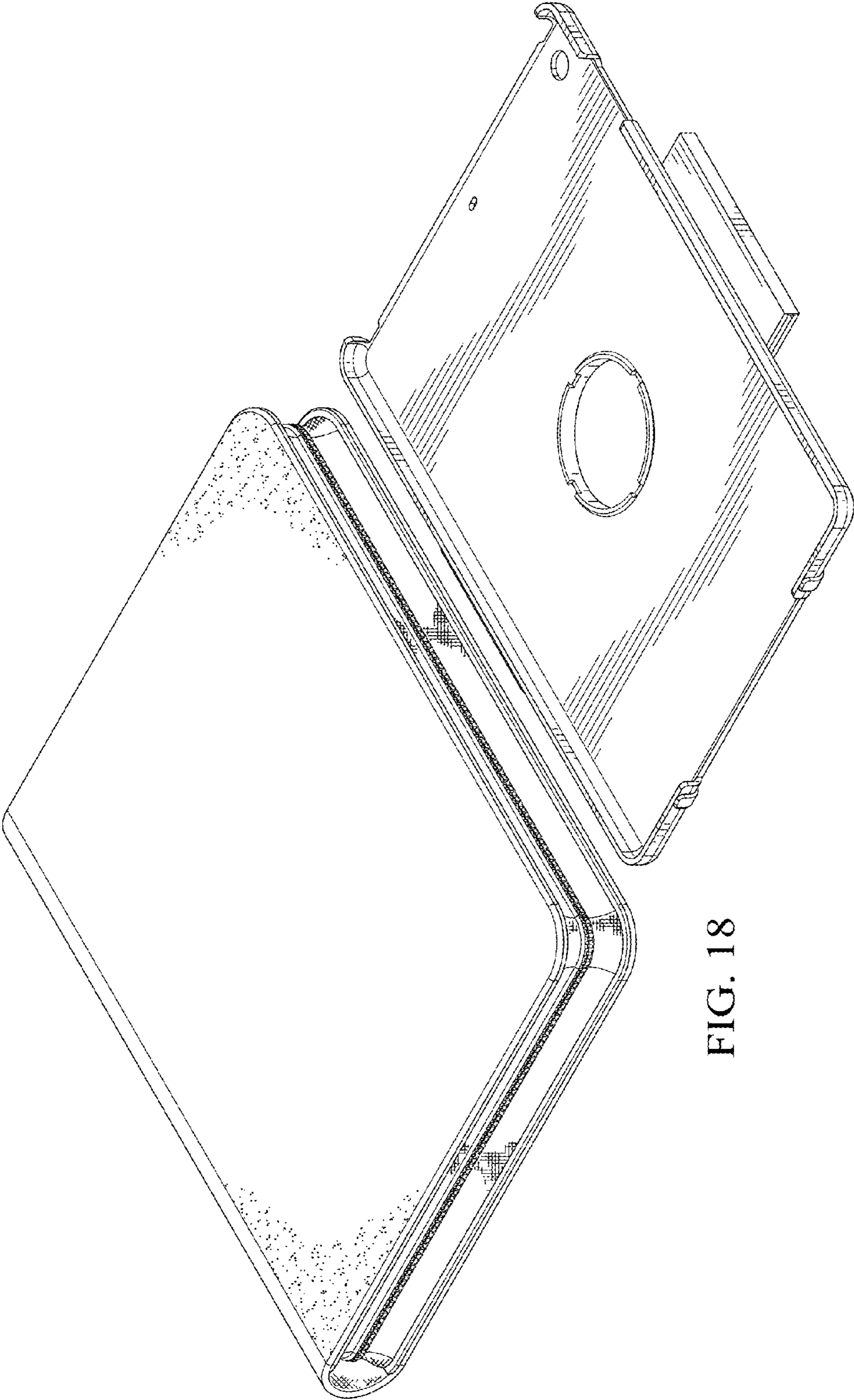


FIG. 18

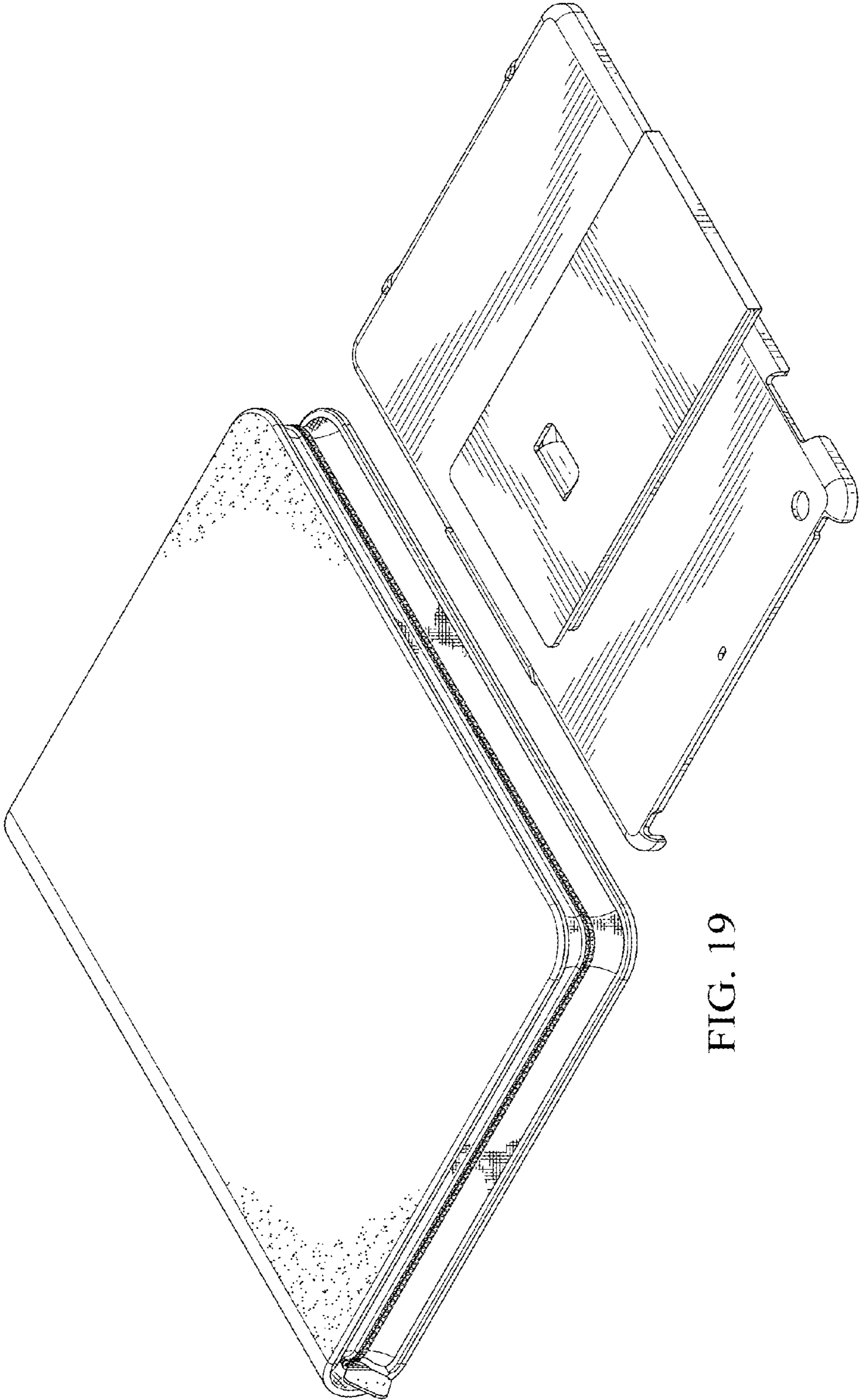


FIG. 19

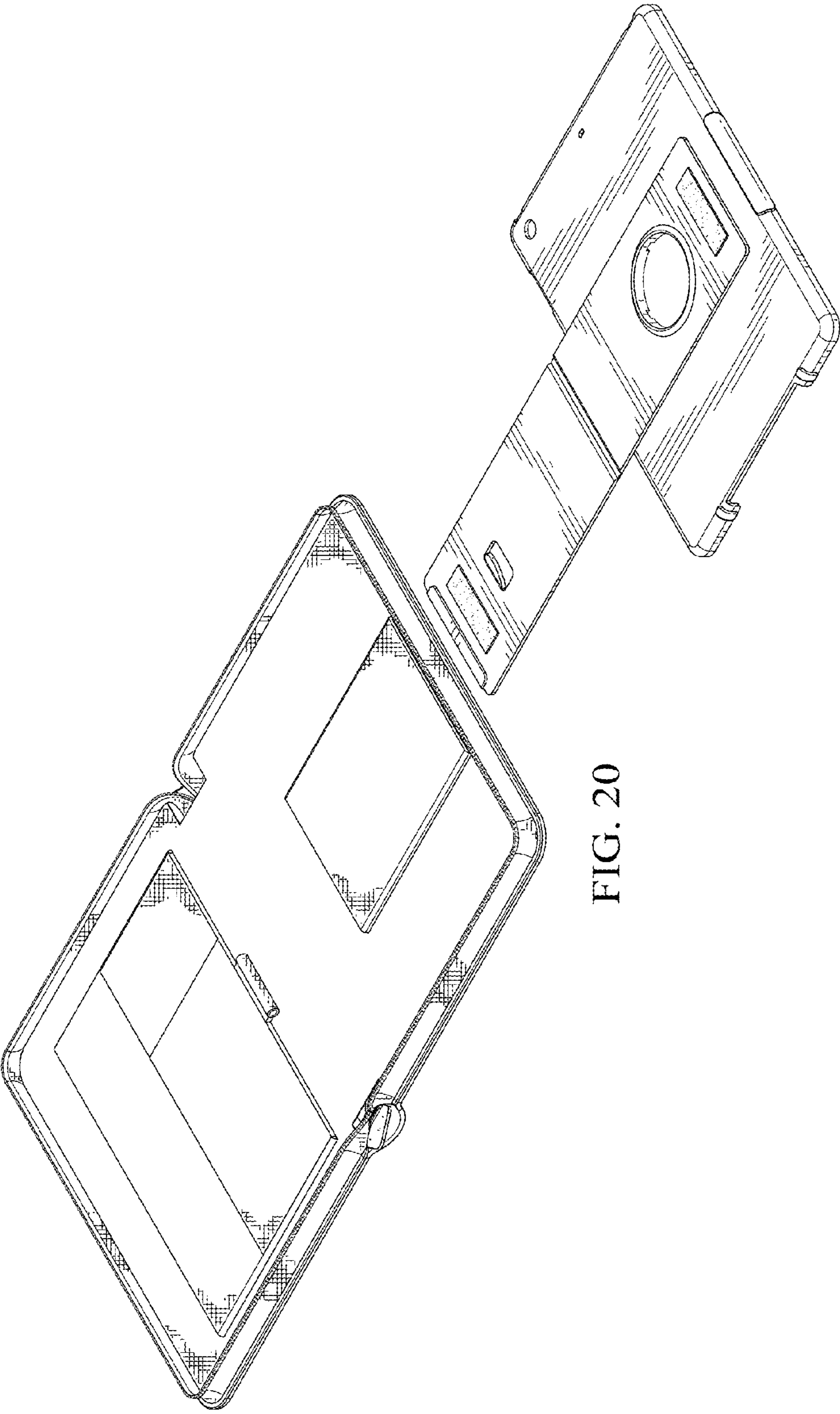


FIG. 20

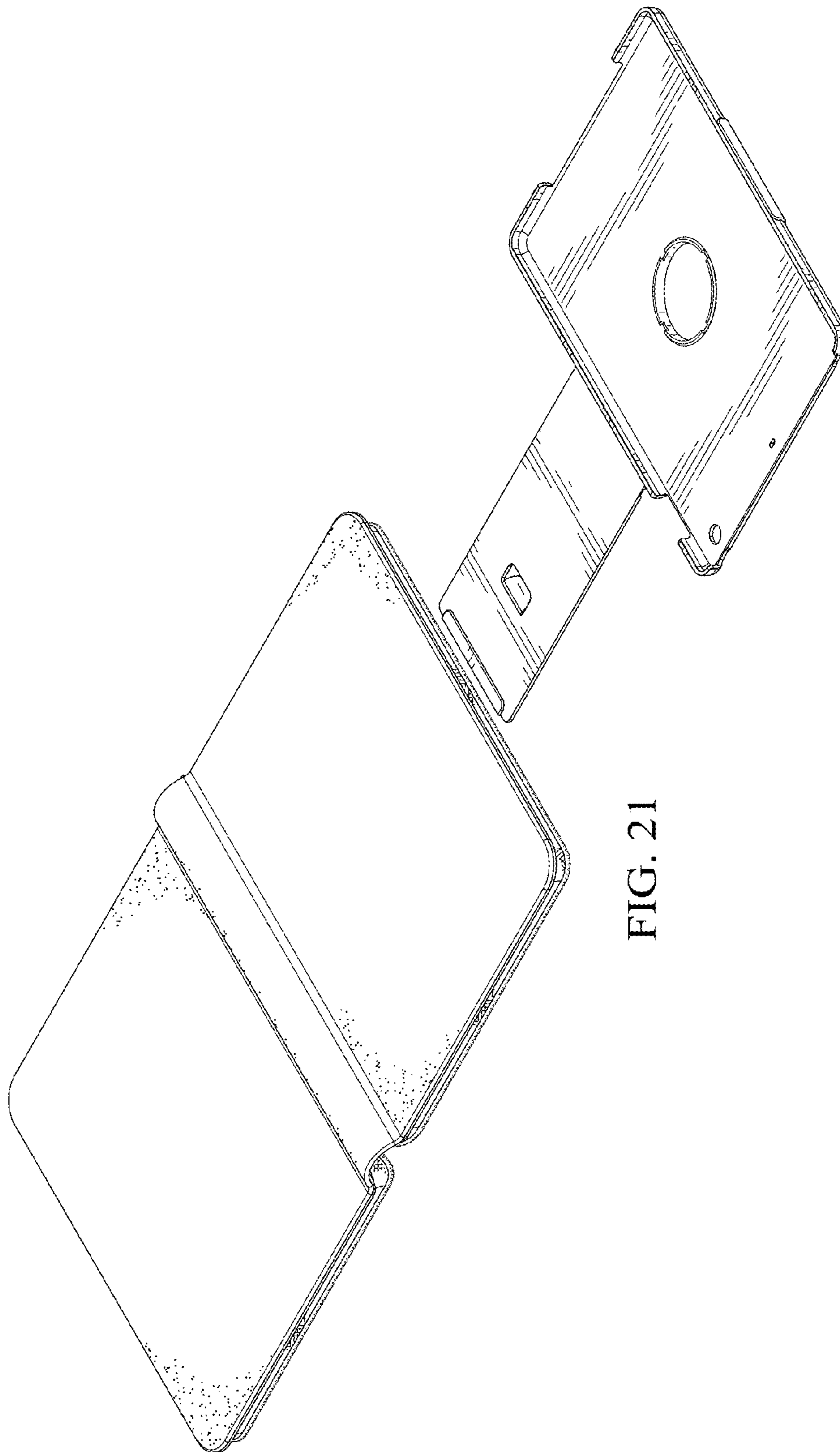


FIG. 21

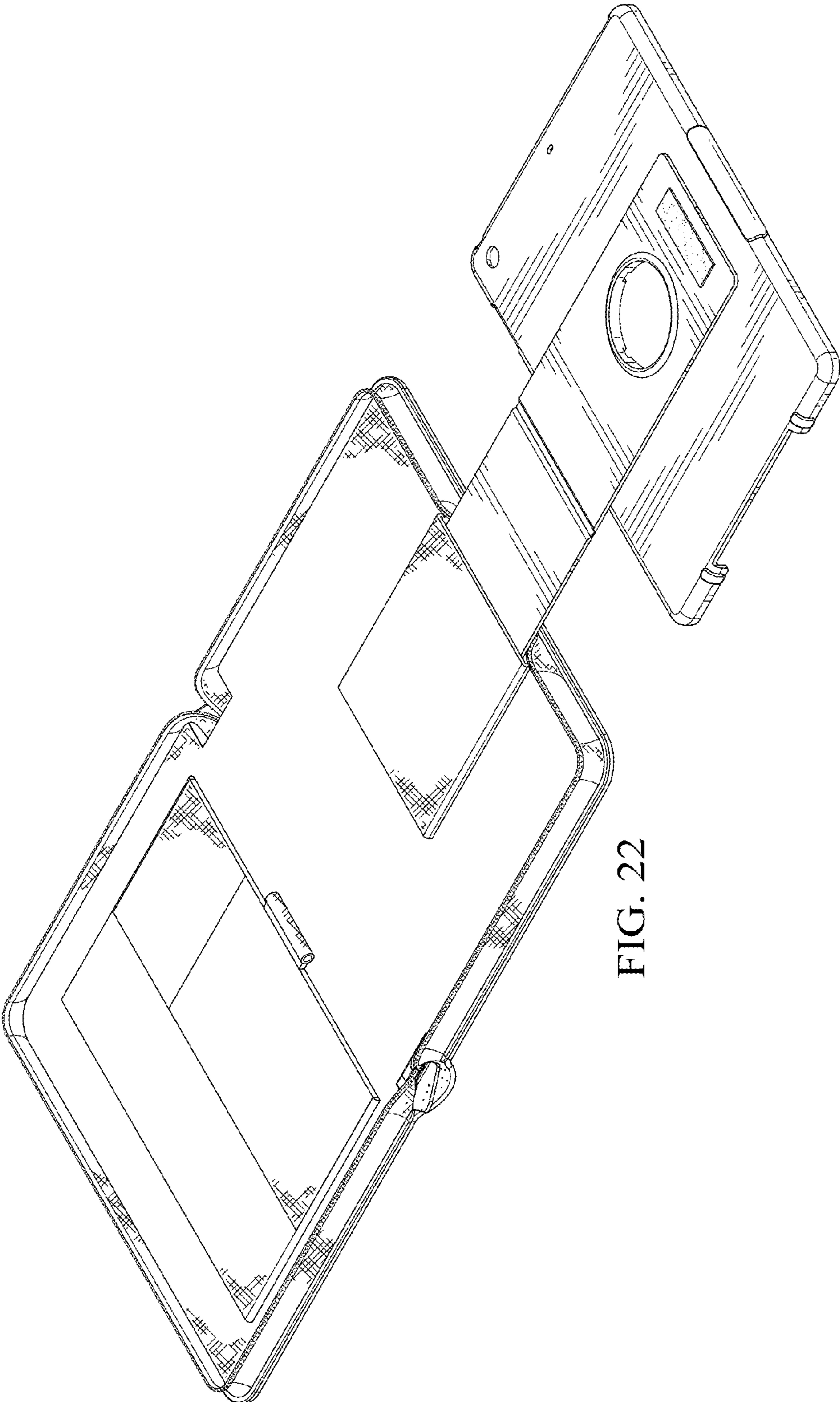


FIG. 22

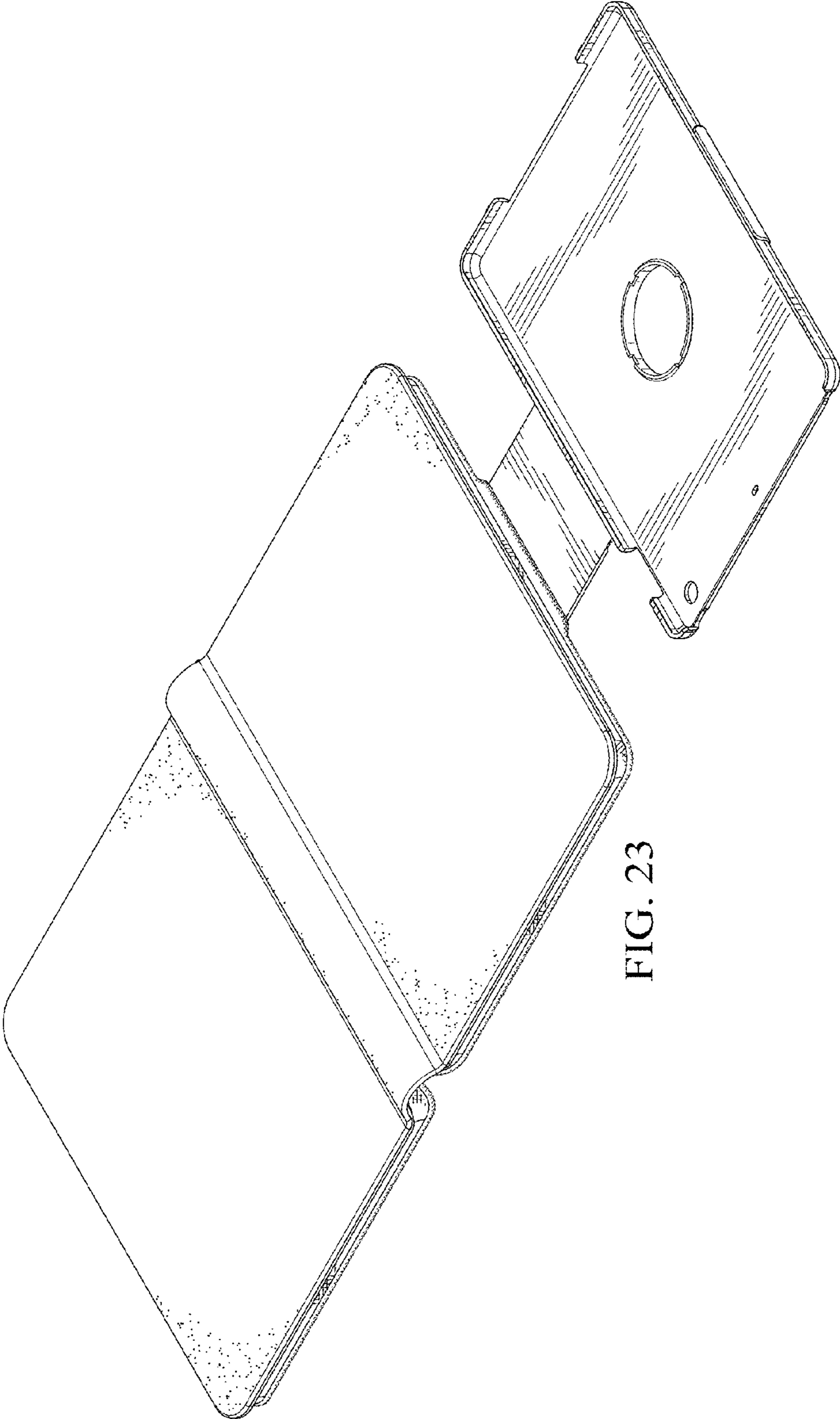


FIG. 23

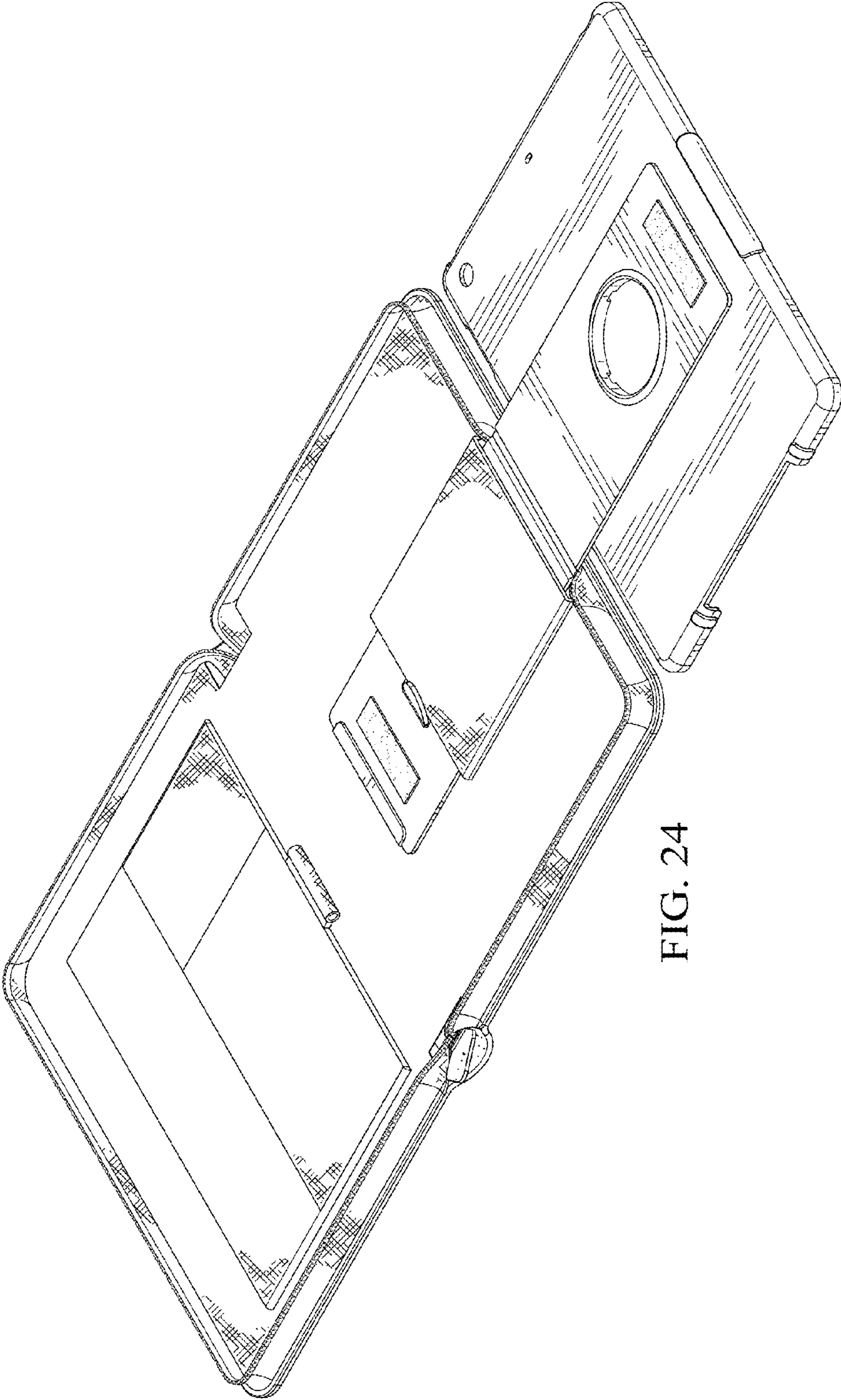


FIG. 24

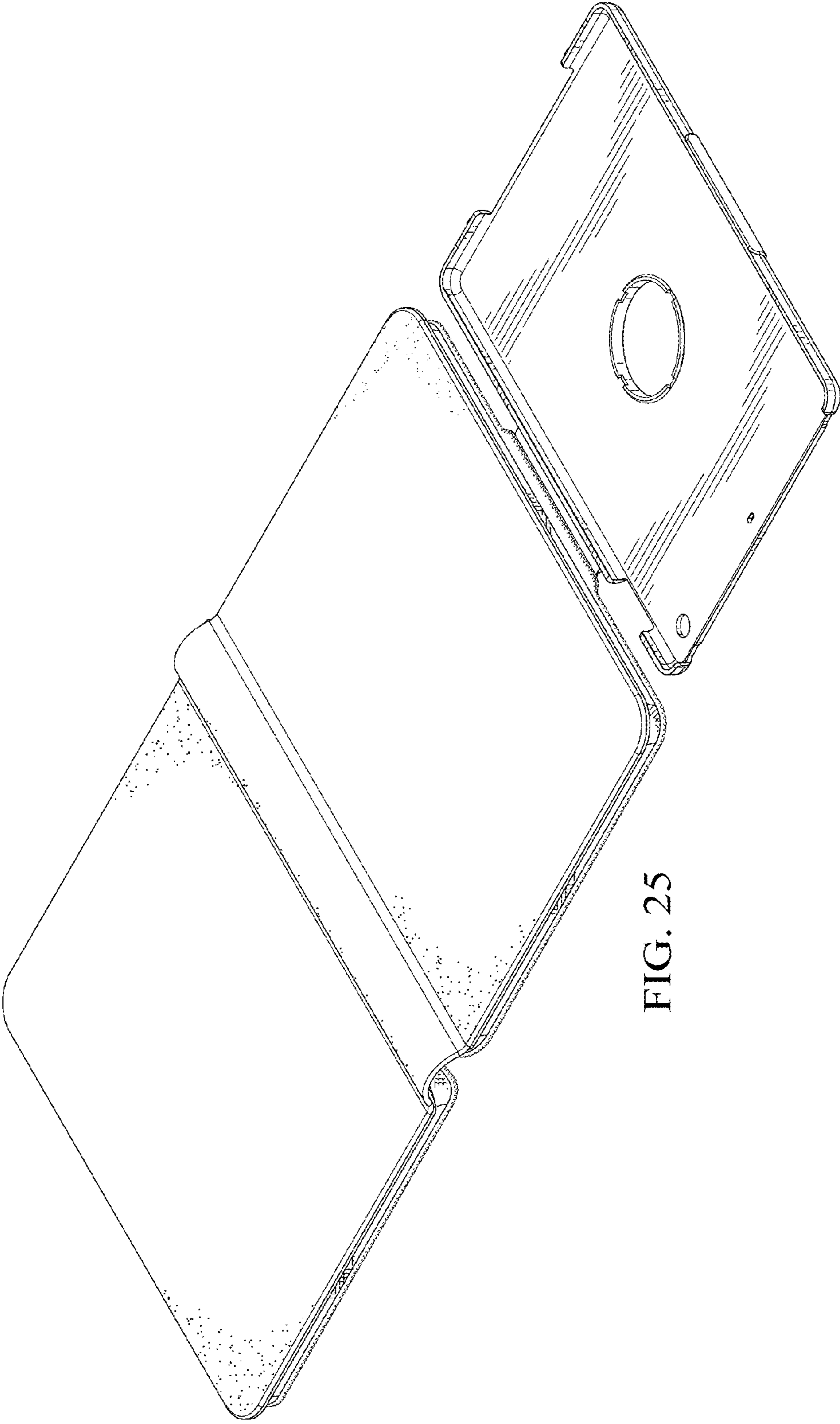


FIG. 25

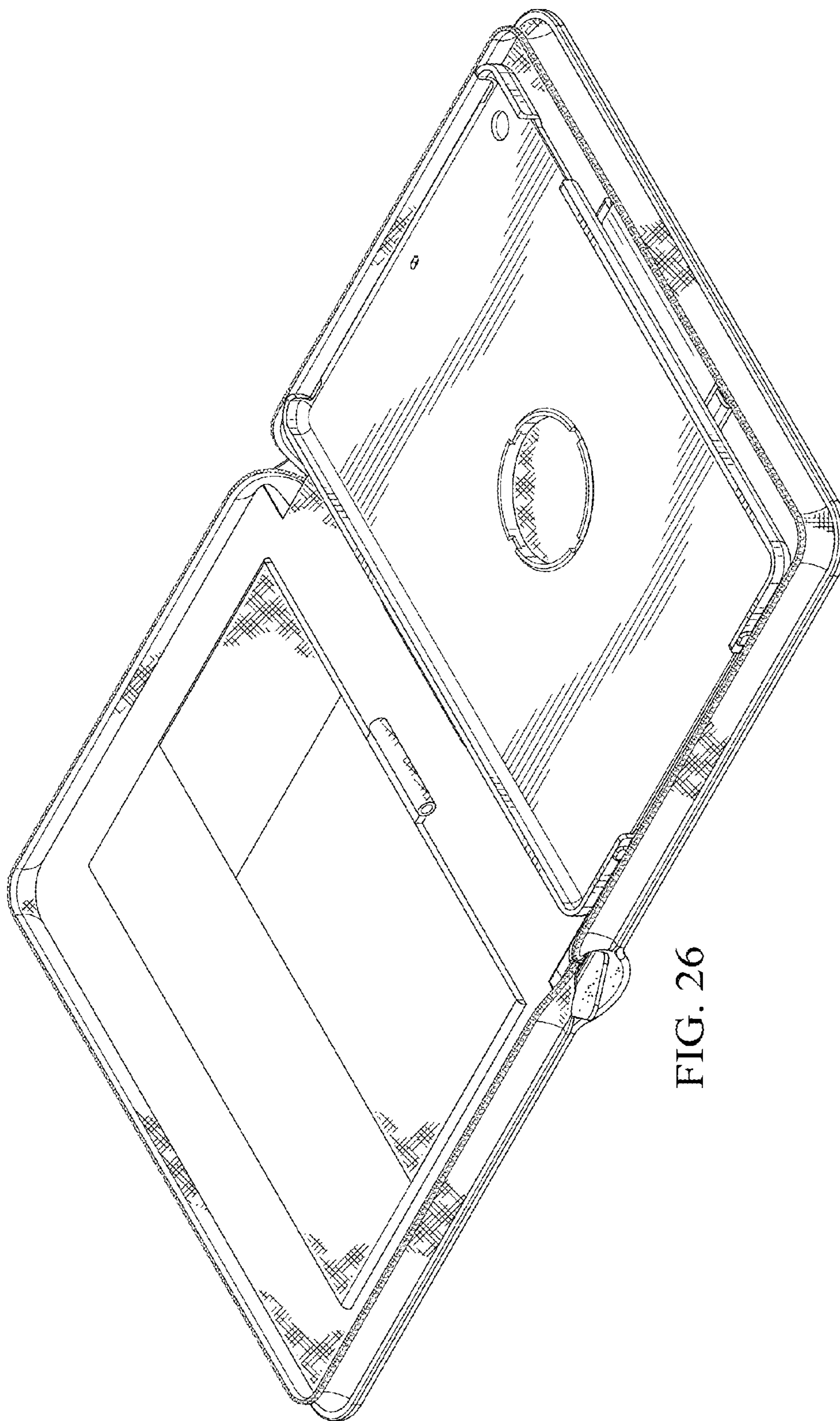


FIG. 26

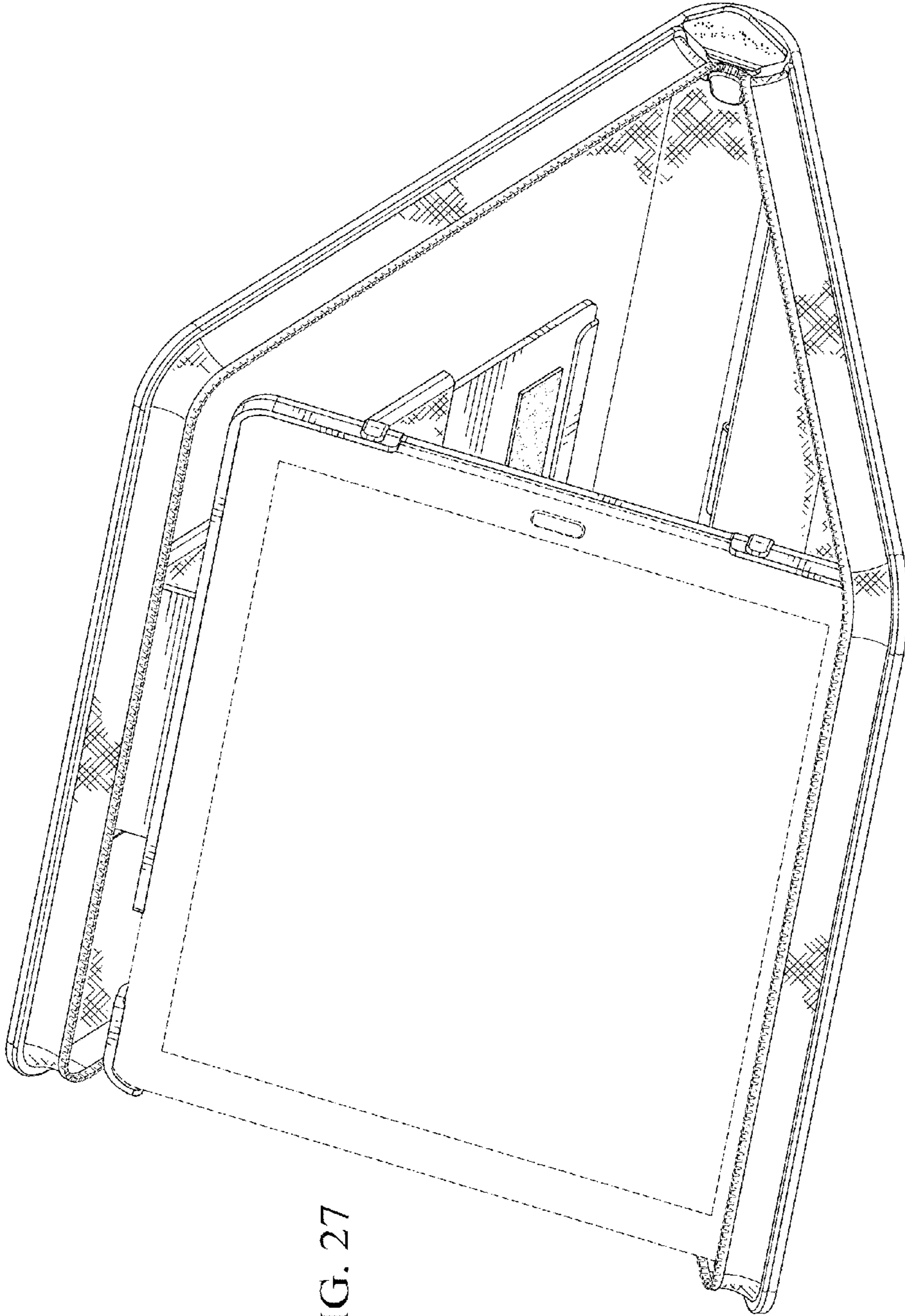


FIG. 27

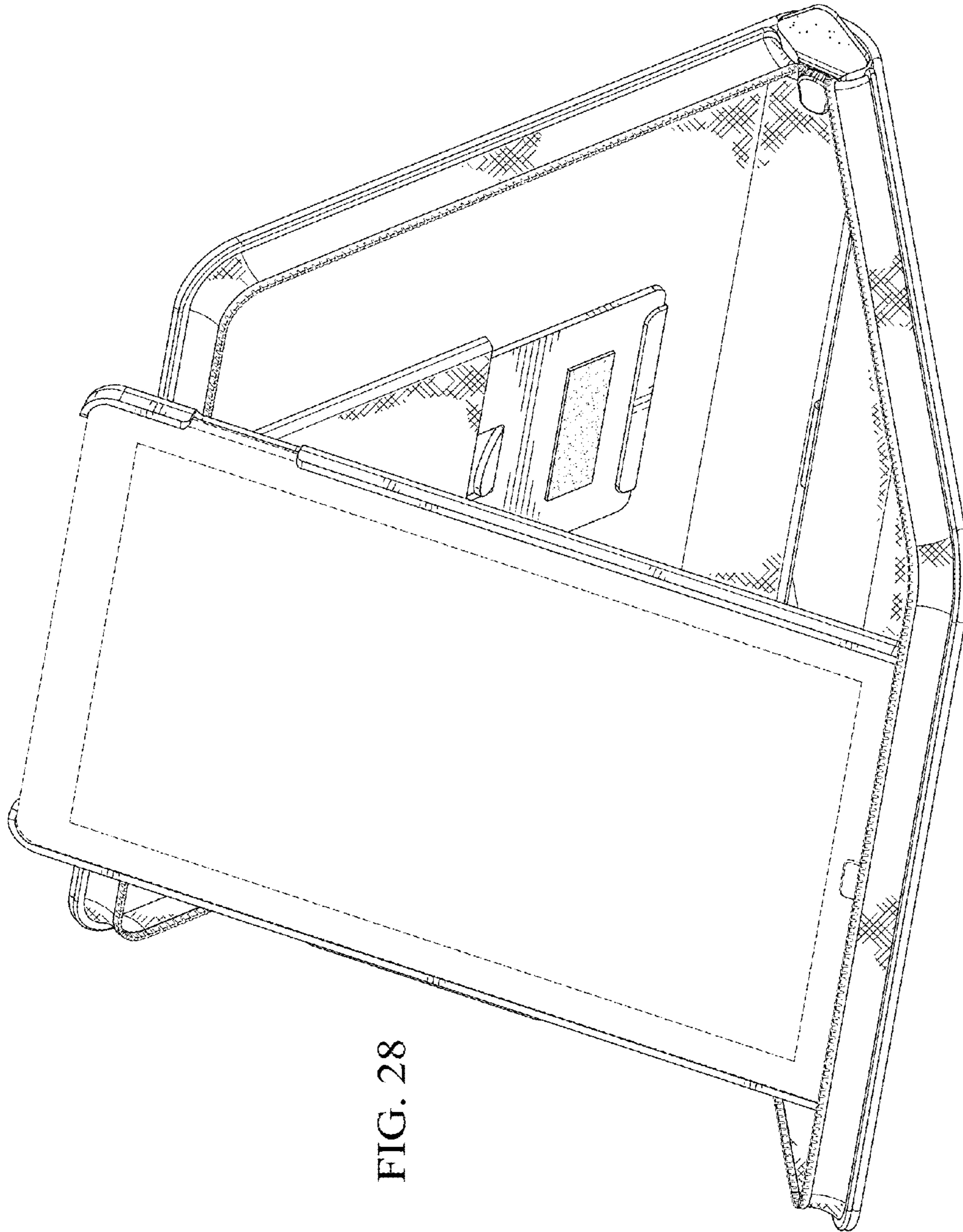


FIG. 28

UNITED STATES PATENT AND TRADEMARK OFFICE
CERTIFICATE OF CORRECTION

PATENT NO. : D750,634 S
APPLICATION NO. : 29/538618
DATED : March 1, 2016
INVENTOR(S) : Julia Elsa Langhein

Page 1 of 1

It is certified that error appears in the above-identified patent and that said Letters Patent is hereby corrected as shown below:

In the Specification

In Column 1, line 14 after the first sentence in the Description, please insert the following sentence:

-- This application claims priority to Registered Community Design (RCD) Application No. 002755637, filed August 17, 2015 in the European (EU) Office for Harmonization in the Internal Market (OHIM), the entire disclosure of which is hereby incorporated herein by reference. --

Signed and Sealed this
Twenty-eighth Day of June, 2016



Michelle K. Lee
Director of the United States Patent and Trademark Office