



US00D750633S

(12) **United States Design Patent**
Minn et al.

(10) **Patent No.:** **US D750,633 S**
(45) **Date of Patent:** **** Mar. 1, 2016**

(54) **DASHBOARD VENT MOUNT FOR AN ELECTRONIC DEVICE**

(71) Applicant: **Kenu, Inc.**, San Francisco, CA (US)

(72) Inventors: **Kenneth Y. Minn**, San Francisco, CA (US); **David E. Yao**, San Francisco, CA (US); **Leonard John Duran**, Mill Valley, CA (US)

(73) Assignee: **KENU, INC.**, San Francisco, CA (US)

(**) Term: **14 Years**

(21) Appl. No.: **29/494,462**

(22) Filed: **Jun. 20, 2014**

(51) **LOC (10) Cl.** **08-07**

(52) **U.S. Cl.**
USPC **D14/447**

(58) **Field of Classification Search**
USPC D14/447, 432, 434, 439, 440, 451, 452, D14/457, 239; D12/415; D6/406.3, 406.4, D6/406.5, 406.6; D8/363, 373, 380
CPC F16M 2200/00; F16M 13/00; A45C 2011/003; A45C 2011/002; A47B 2023/049; A47B 2097/005; A47B 2097/006; A47B 21/04
See application file for complete search history.

(56) **References Cited**

U.S. PATENT DOCUMENTS

5,979,724	A	11/1999	Loewenthal, Jr. et al.	
D521,990	S	5/2006	Richter	
D522,843	S	6/2006	Richter	
7,272,984	B2 *	9/2007	Fan	74/89.17
D566,590	S	4/2008	Stevens et al.	
7,537,190	B2 *	5/2009	Fan	248/309.1
D614,613	S	4/2010	Kim et al.	
D626,541	S	11/2010	Kim et al.	
D633,040	S *	2/2011	Le et al.	D13/108
D643,407	S	8/2011	Behringer et al.	
D645,033	S *	9/2011	Quong et al.	D14/253

D655,692	S	3/2012	Silverman et al.	
D657,364	S *	4/2012	Norman	D14/451
D664,147	S *	7/2012	Zhao et al.	D14/452
D670,295	S *	11/2012	Prescott et al.	D14/447
D689,041	S	9/2013	Hampf	
D690,707	S	10/2013	Minn et al.	

(Continued)

FOREIGN PATENT DOCUMENTS

CN	301670390	9/2011
EP	2835957	4/2015

(Continued)

OTHER PUBLICATIONS

Search Report for Design Patent Application for Taiwan, Application No. 103305833, Completed Apr. 16, 2015.

(Continued)

Primary Examiner — Angela J Lee

(74) *Attorney, Agent, or Firm* — Troutman Sanders, LLP

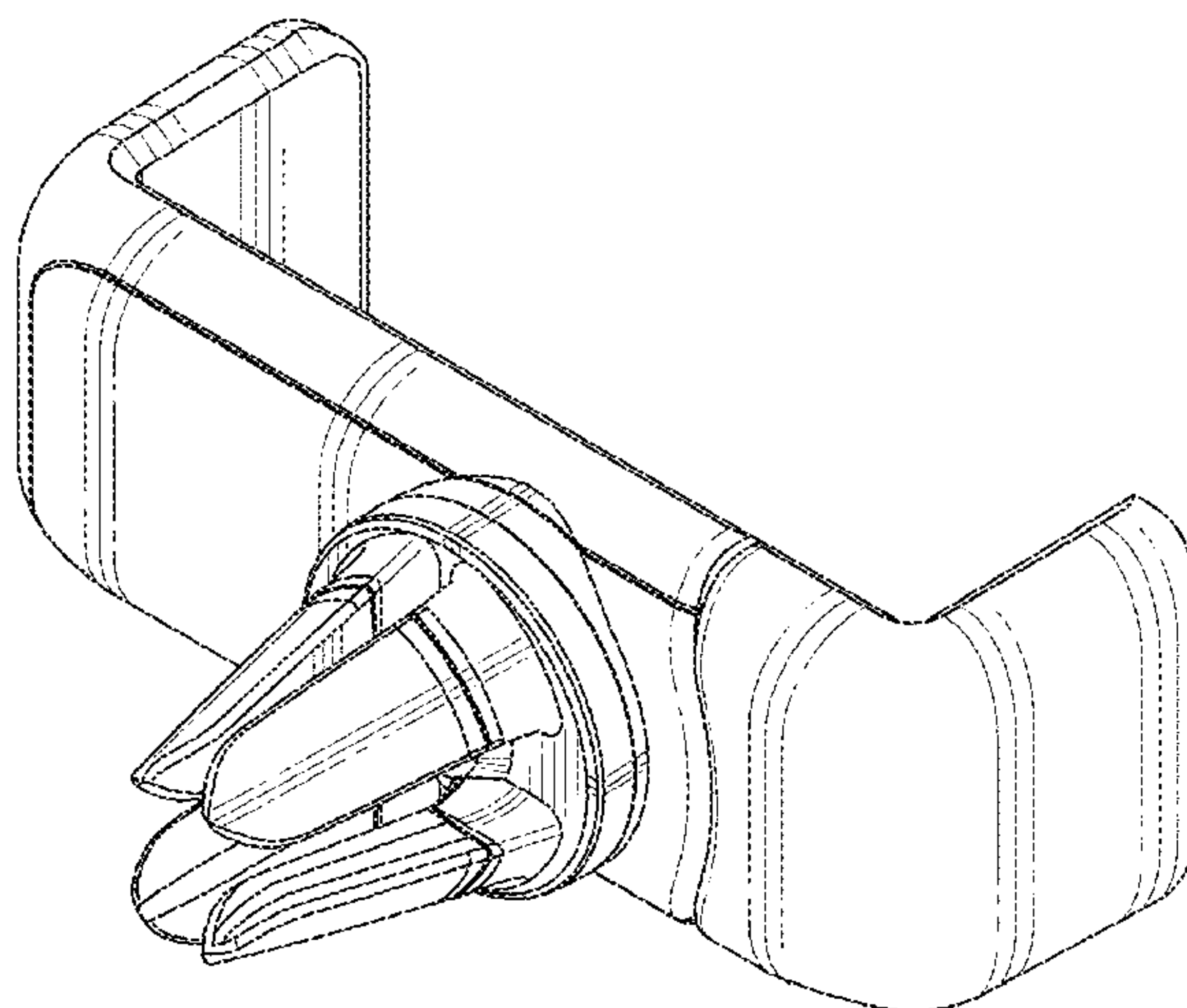
(57) **CLAIM**

We claim the ornamental design for a dashboard vent mount for an electronic device, as shown and described.

DESCRIPTION

FIG. 1 is a rear perspective view of a dashboard vent mount for an electronic device;
FIG. 2 is a front perspective view thereof;
FIG. 3 is a front elevational view thereof;
FIG. 4 is a rear elevational view thereof;
FIG. 5 is a top plan view thereof;
FIG. 6 is a bottom plan view thereof;
FIG. 7 is a left elevational view thereof; and,
FIG. 8 is a right elevational view thereof.
Broken lines are used to illustrate unclaimed details the dashboard vent mount for an electronic device; broken lines are not part of the claimed design.

1 Claim, 8 Drawing Sheets



(56)

References Cited

U.S. PATENT DOCUMENTS

D692,897 S * 11/2013 Luijben D14/447
 D708,603 S 7/2014 Kim et al.
 D709,074 S 7/2014 Tsui et al.
 D713,398 S 9/2014 Alesi et al.
 D715,790 S 10/2014 Conomos et al.
 D715,791 S 10/2014 Yu
 D716,788 S 11/2014 Volkan
 D717,289 S 11/2014 Takabatake
 D718,298 S 11/2014 Aspinall et al.
 D720,759 S 1/2015 Deng et al.
 D723,311 S 3/2015 Jiang et al.
 D724,072 S 3/2015 Jiang et al.
 D726,175 S 4/2015 Tsai et al.
 D733,548 S * 7/2015 Brown et al. D8/394
 D735,112 S * 7/2015 Deng et al. D12/415
 2014/0138419 A1* 5/2014 Minn et al. 224/567
 2015/0072555 A1 3/2015 Riddiford et al.

FOREIGN PATENT DOCUMENTS

JP D1420793 7/2011
 JP D1420793 8/2011

JP D1453628 10/2012
 JP D1487823 1/2014
 TW D103373 3/2005
 TW D149647 10/2012
 WO D066974-001 9/2005

OTHER PUBLICATIONS

China Quality Suppliers; "Black or White Car Air Vent Mount Holder/Adjustable Universal Mobile Phone Stand Holder;" <http://www.hebeimanjikefrp.com/sale-2307306-black-or-white-car-air-vent-mount-holder-adjustable-universal-mobile-phone-stand-holder.html>; Copyright © 2014-2015.
 Brookstone; "Airframe Portable Car Mount Phone Holder;" <http://www.brookstone.com/airframe-portable-phone-mount>; © 2015 Brookstone.
 Exogear; "ExoMount Touch;" <http://www.exogear.com/products-exomount-touch-one-touch-car-mount-holder.html>; Copyright © 2013 Exogear.

* cited by examiner

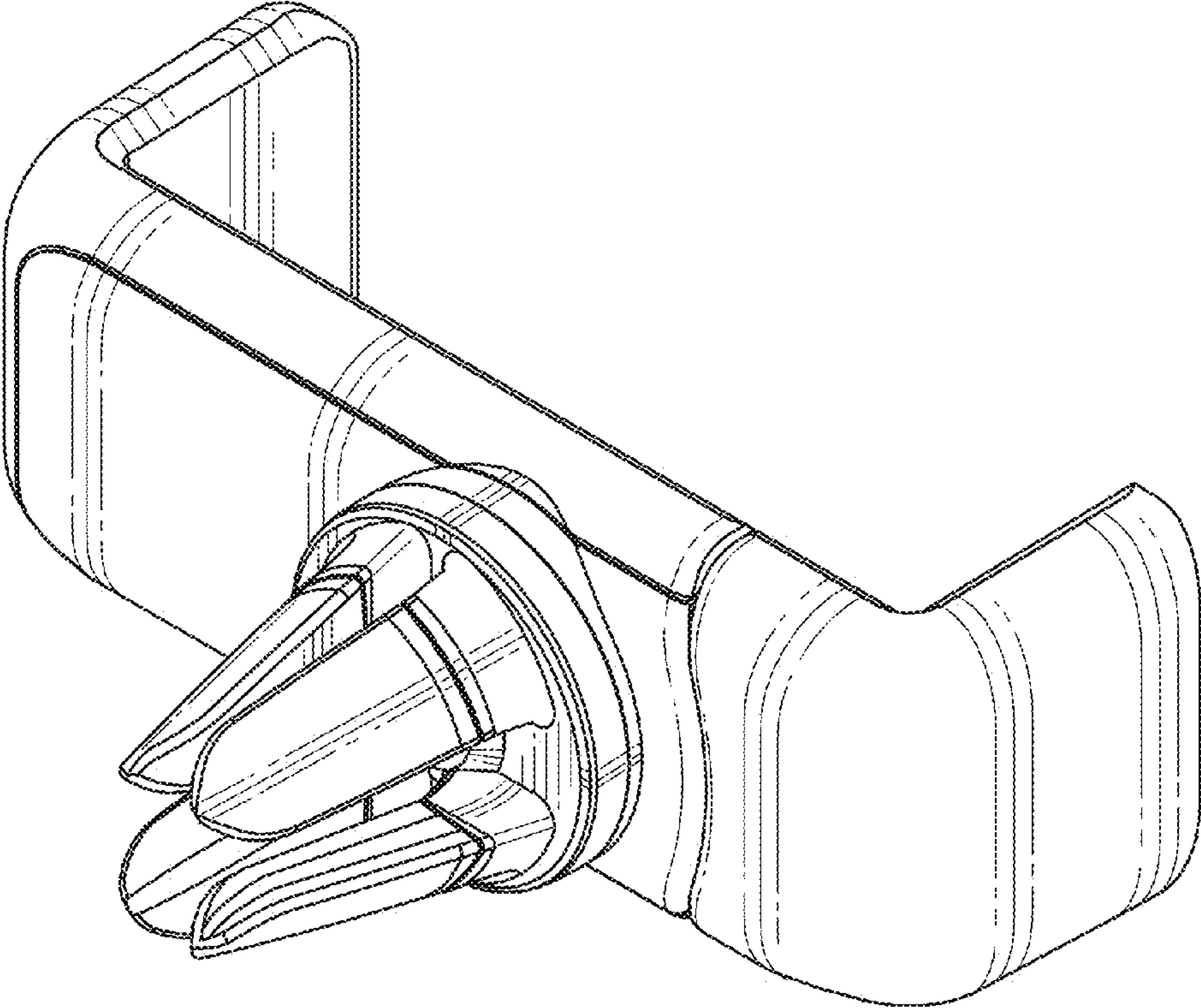


FIG. 1

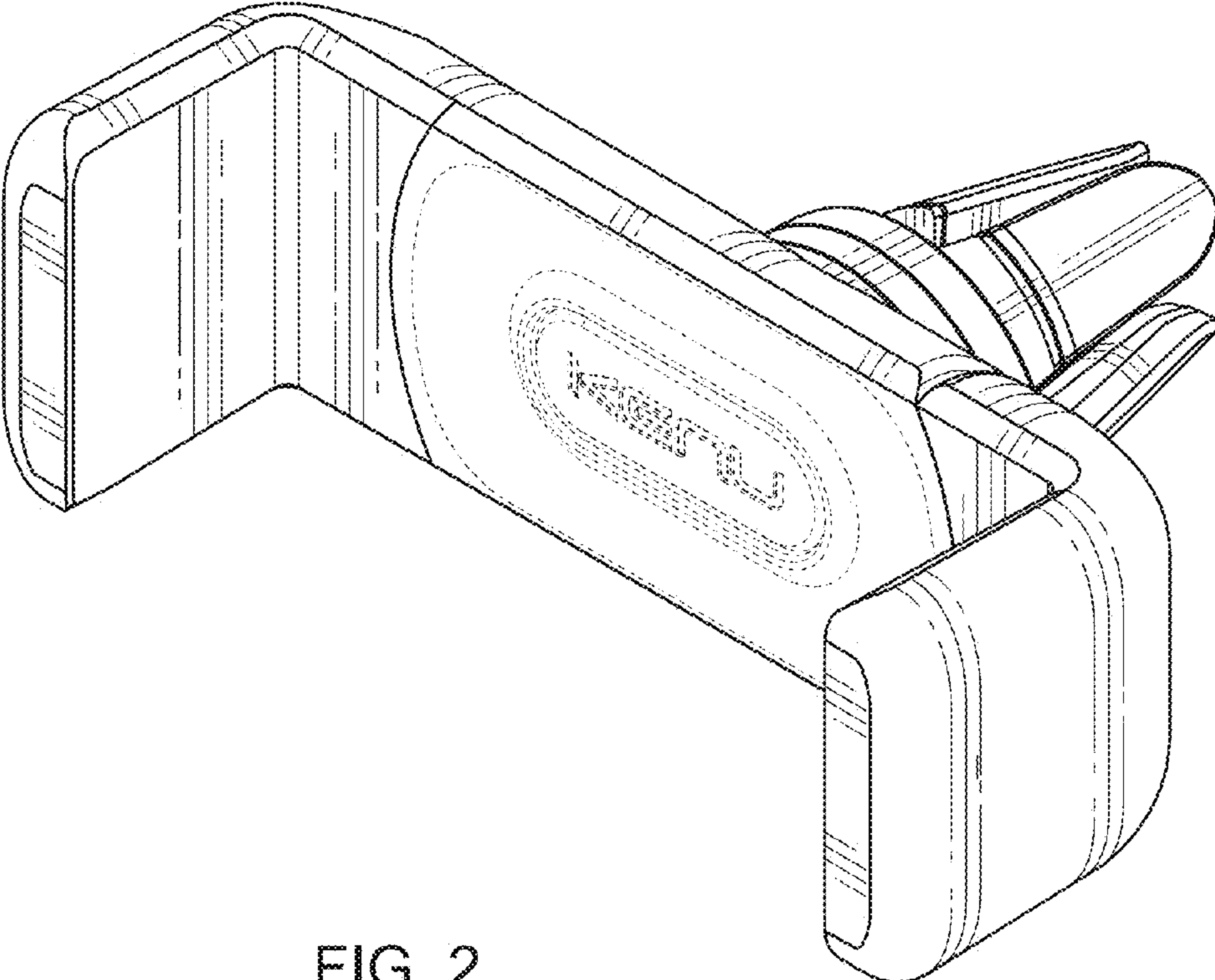


FIG. 2

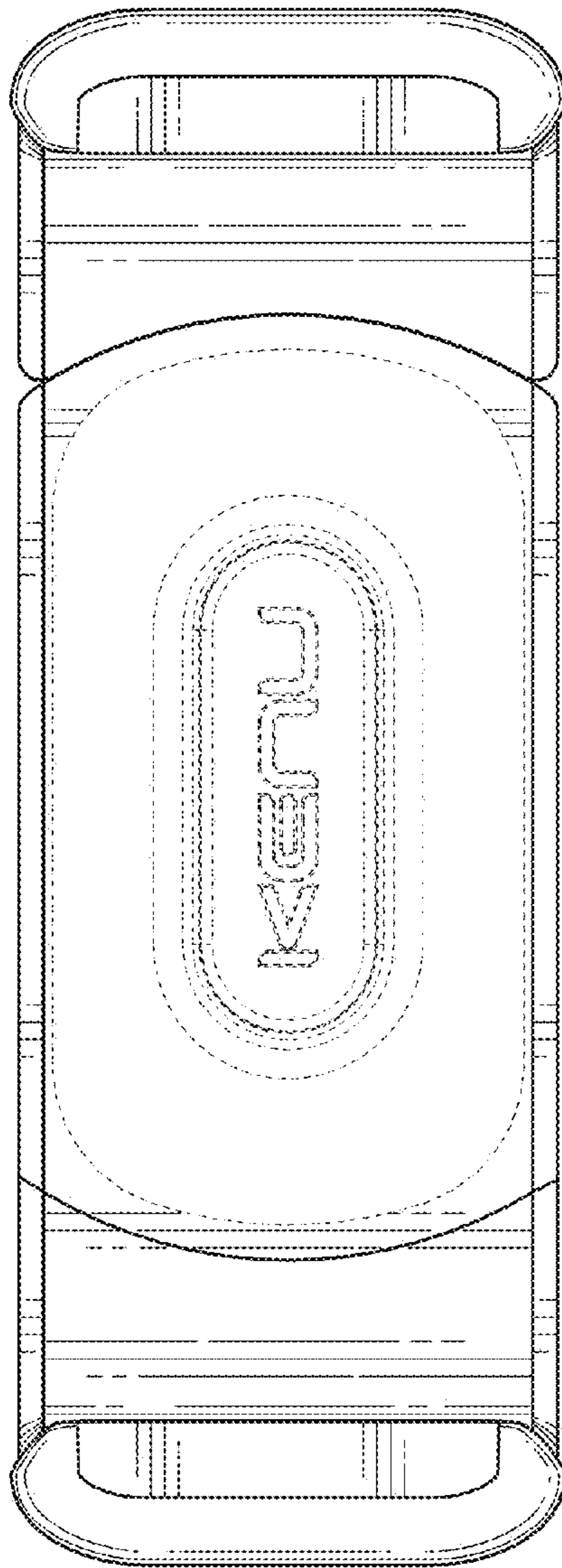


FIG. 3

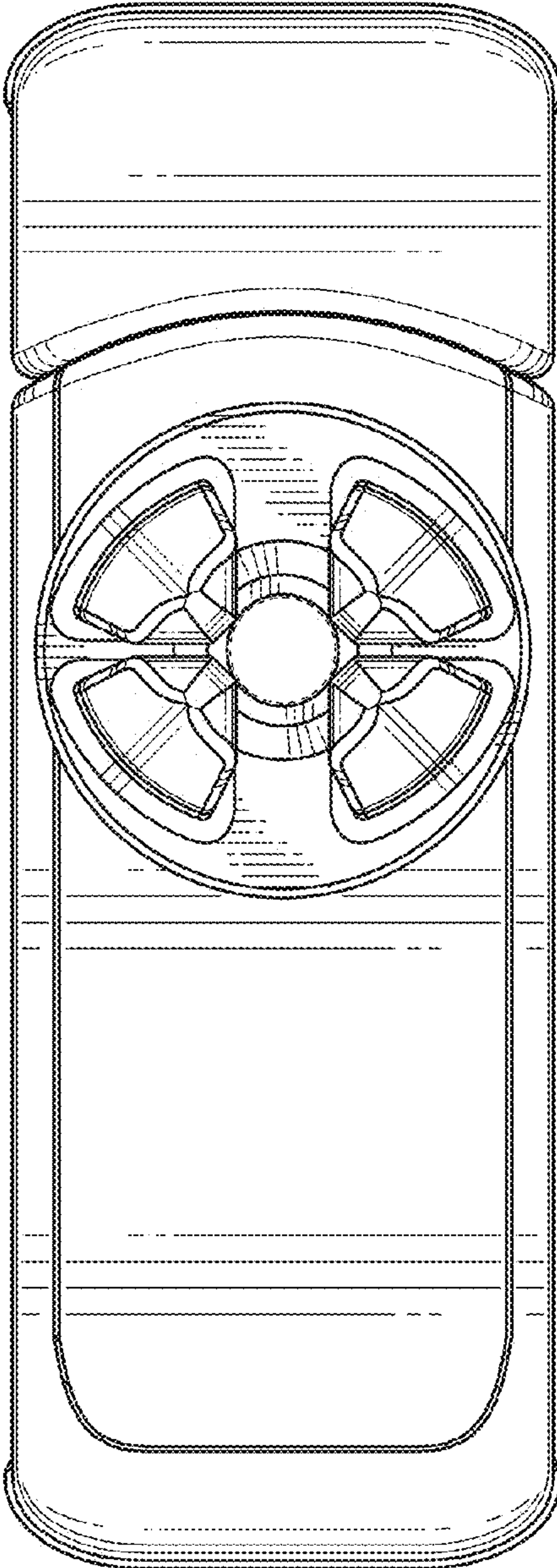


FIG. 4

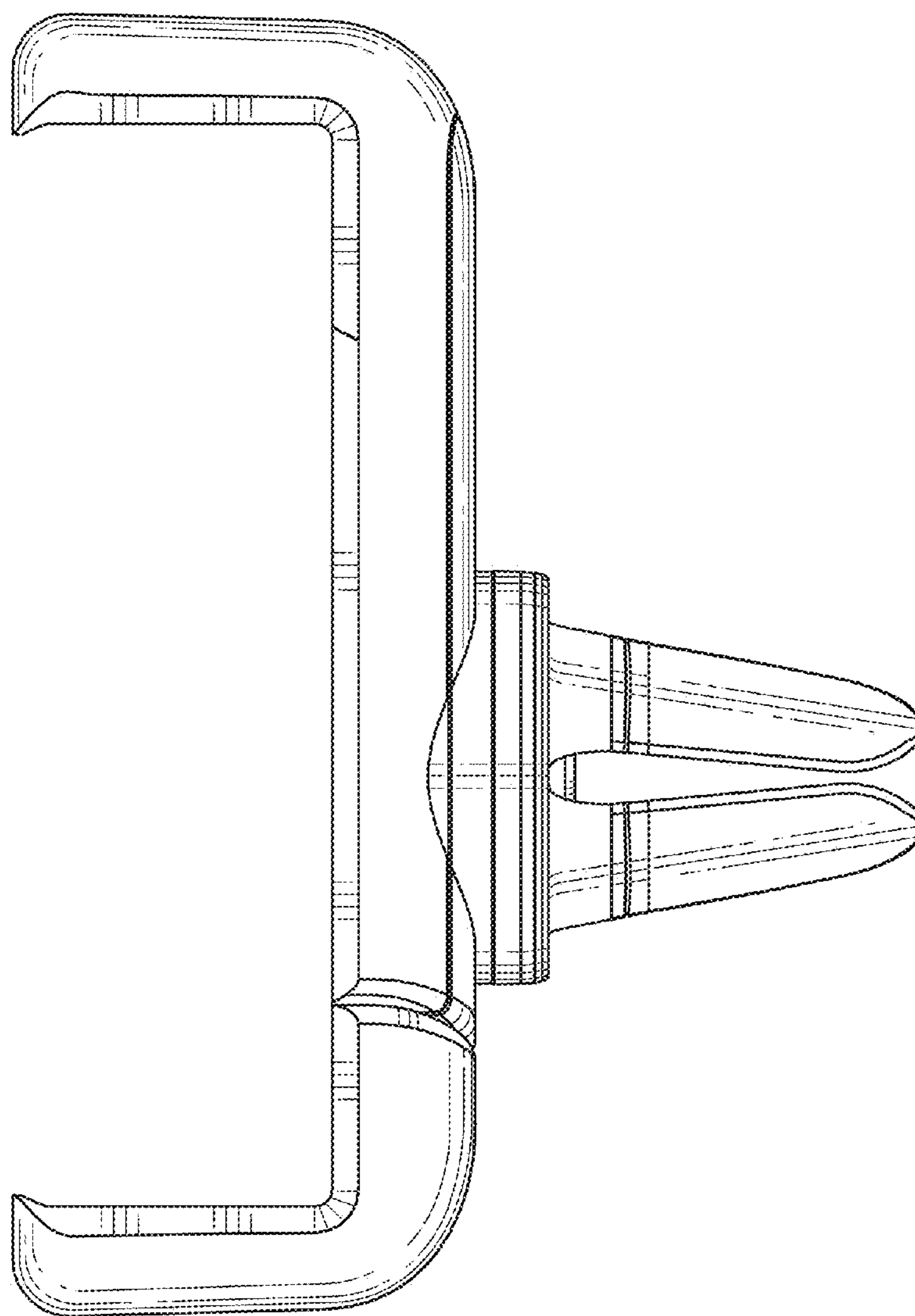


FIG. 5

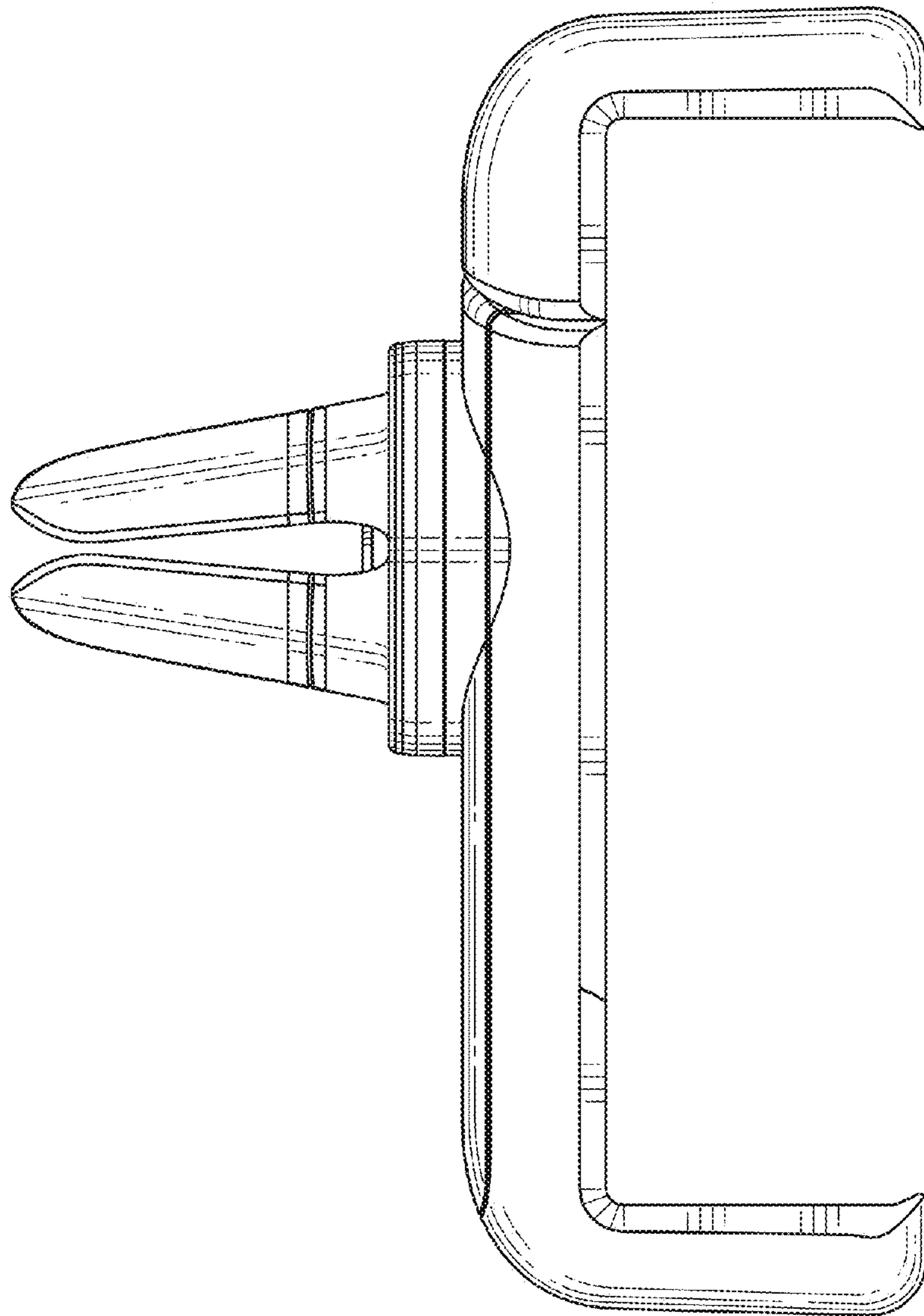


FIG. 6

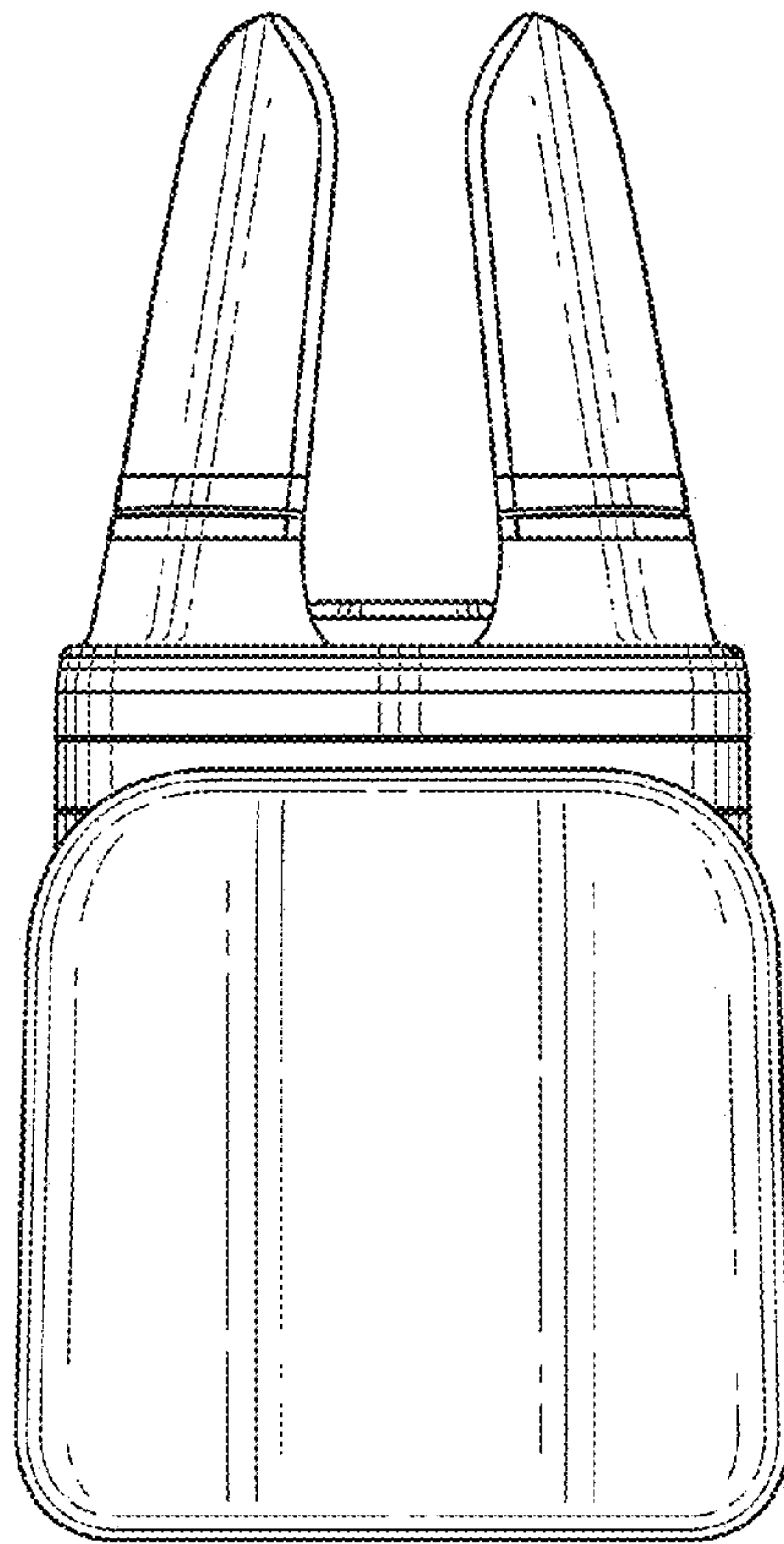


FIG. 7

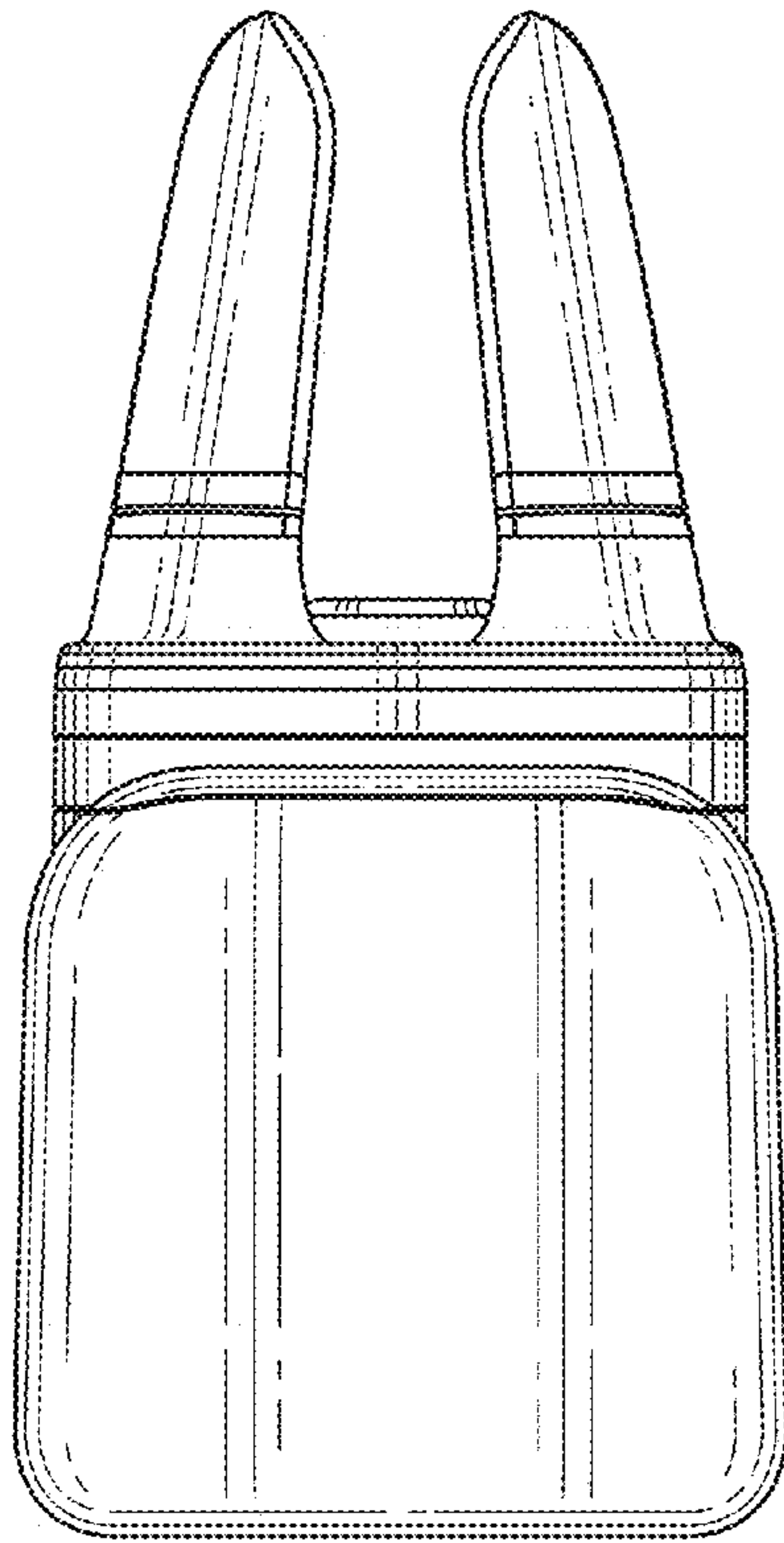


FIG. 8